

Pin Cylinder/ Clean Series

CDJPB6D-E9987-✕

Application: Clean rooms

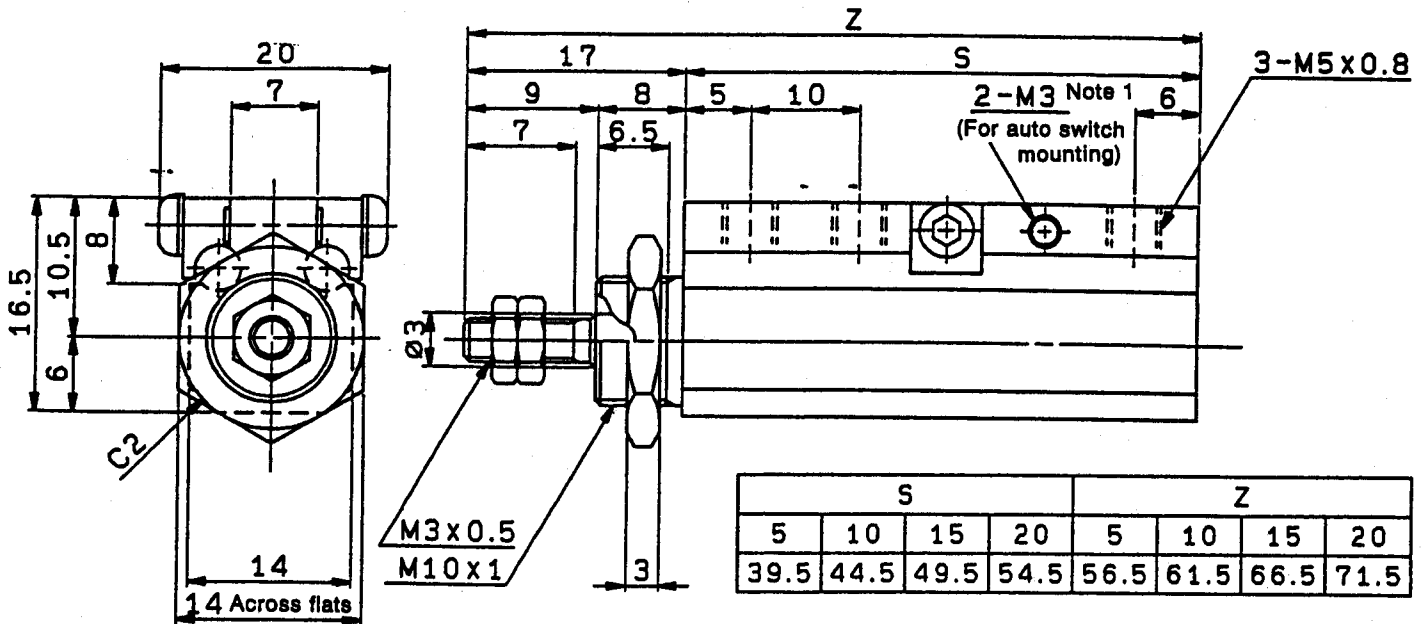
Feature 1: Clean series (10-) equivalent due to relief port

Comparison with Standard Products:

1. Relief port is equipped.
2. Longitudinal length is longer.
3. Piston rod surface is hard chrome plated.

Specifications			
Bore size	6 mm	Ambient temperature	-10 to +60°C
Stroke	5, 10, 15, 20 mm	Operating air temp.	(No freezing)
Stroke tolerance	+1.0/ 0 mm	Cushion	Rubber cushion
Thread tolerance	JIS 2 class	Mounting bracket	Basic style
Max. operating pressure	0.7 MPa {7.1 kgf/cm ² }	Attachment	Mounting nut 1 pc
Proof pressure	1.05 MPa {10.7 kgf/cm ² }		Rod end nut 2 pcs.

Dimensions



Notes

1. For Stroke 5, one (1) auto switch is attached.
2. When two or more cylinders with auto switches are used in parallel, mounting pitch should be 20 mm or more.