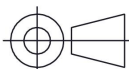


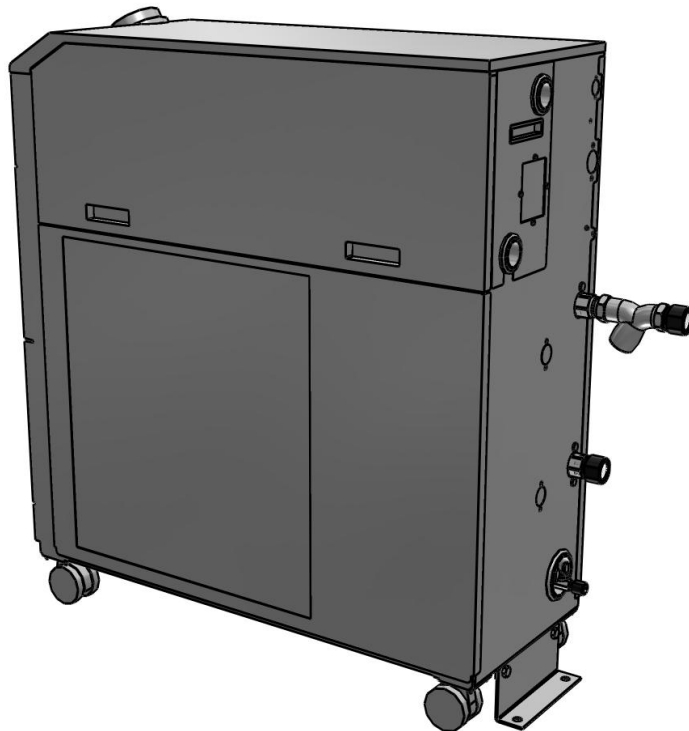
|             |   |       |      |      |            |
|-------------|---|-------|------|------|------------|
| Projection  |  | Scale | Free | DATE | 07-26-2024 |
| Drawing No. | <b>HRSH090-AN-20</b>  |       |      |      |            |

## HRSH090-AN-20(0)

Thermo-chiller/Inverter Type

### 3D View

To activate the interactive 3D view, you must trust this document (see hint on the top) in Adobe Acrobat and click on the question mark.





## HRSH090-AN-20(0)

Thermo-chiller/Inverter Type

### Technical Data

|                             |   |
|-----------------------------|---|
| CAPACITY (Cooling capacity) | (090) 9.5KW   |
| METHOD (Cooling method)     | (A) Air-cooled refrigeration                                  |
| THREAD1 (Pipe thread type)  | (N) NPT (With Rc-NPT conversion fitting)                      |
| POWER (Power supply)        | (20) Three-phase AC200V (50Hz), Three-phase AC200-230V (60Hz) |
| OPTION (Option)             | (-) None  |
| THREAD2 (Thread on/off)     | on  |