



指定公差 General Tolerance	角度公差 ±[°]		寸法公差 ±[mm]					
	短辺長さ Length of short side	~ ~ 100	6	30	120	300	1000	
	精 f	10 50 100	精 f	0.05	0.1	0.2	0.4	0.6
	中 m	1 0.5 0.3 0.1	中 m	0.1	0.3	0.5	0.7	1
粗 v	3 1.5 1 0.5	粗 c	0.3	0.5	1	1.2	2	

図番 Drawing No.	ADP-001-A18	
改訂 Rev.	年月日 Date	改訂履歴 Revisions

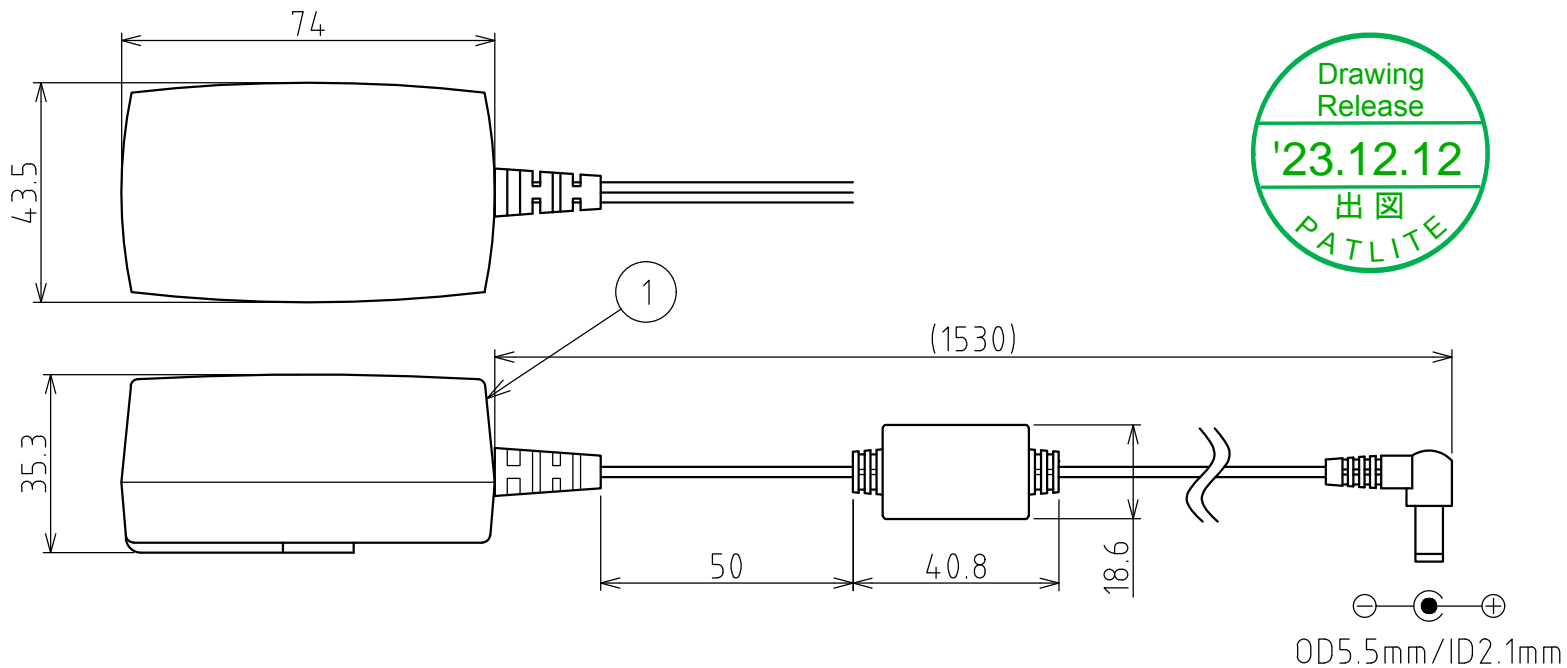
ページ Page	1/1
----------	-----

MODEL No. Configuration

ADP-001□

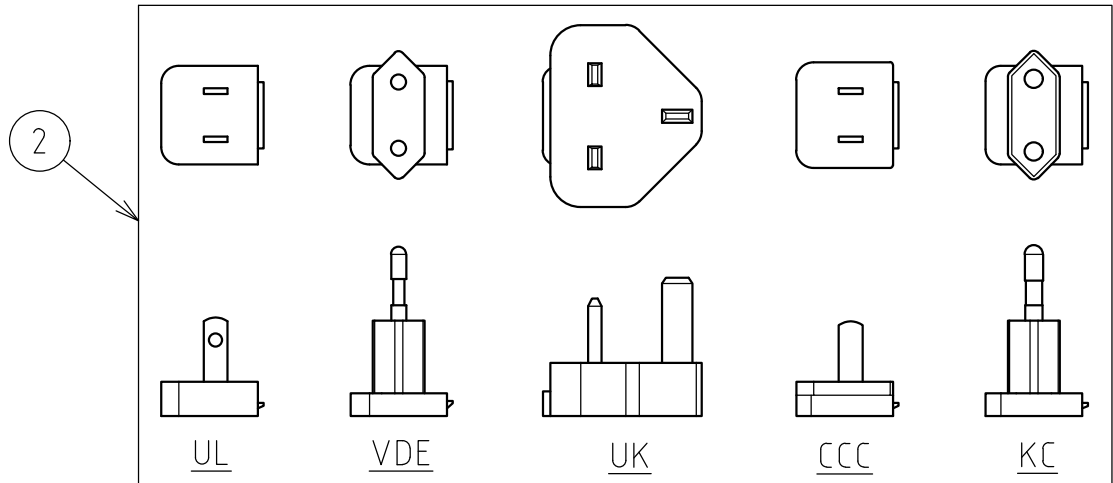
(empty) : Extension Cord not included

C : Extension Cord included

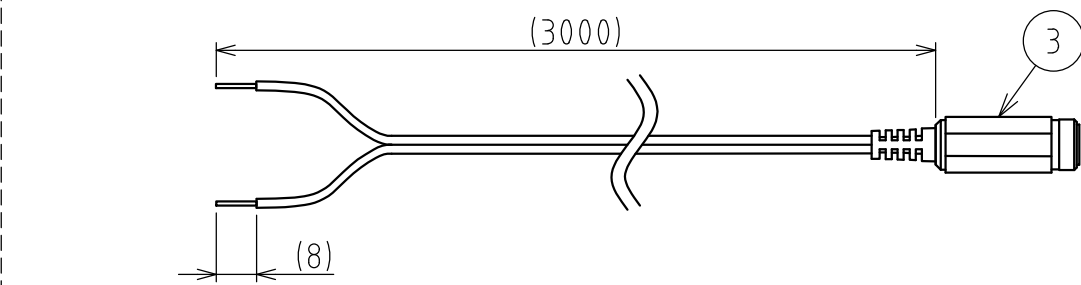


Accessory

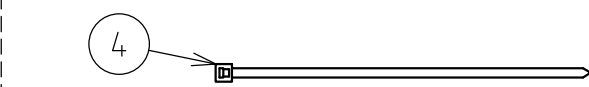
● AC Plug



● Extension Cord



● Cable Tie



* Only ADP-001C included

Specifications

Rated Input	AC100V - 240V 50/60Hz	
Rated Output	DC24V 1A	
Operating Ambient Temperature	0 - 40°C	
Storage Ambient Temperature	-10 - 70°C	
Mounting Location	Indoor Only	
Mass	AC Adaptor	123 ±15g
	AC Plug	UL:Approx.7g, VDE:Approx.15g, UK:Approx.16g, CCC:Approx.7g, KC:Approx.17g
	Extension Cord	Approx.38g
Conformity Standards and Certification	PSE UL Listed (File No.E163743) KC / CCC / BSMI U.S.Department of Energy(DOE) & California's Energy Efficiency Standards LEVEL VI Natural Resources Canada(Nrcan) Energy Efficiency Regulations Code of Conduct on Energy Efficiency of External Power Supply Version 5 (CoC Tier2) FCC Part 15 Subpart B class B EN 62368-1, EN 55032, EN 55035, EN IEC 63000	
Remarks	Conforms to the CE Requirements Conforms to the UKCA Requirements	

1	AC Adaptor	1	
2	AC Plug	5	UL, VDE, UK, CCC, KC
3	Extension Cord	1	UL2468 AWG22
4	Cable Tie	1	
番号 No.	部品名 Part Name	数量 Qty.	記事 Remarks

機種 Model	ADP-001(C)	特注 No. S.P.No.	-	設計 Dgn.by	Y. Azuma	製図 Drn.by	Y. Azuma
図名 Name	Specifications		検図 Chkby	Y. Fukumoto	承認 App.by	T. Kanki	
品目コード Part No.	-	尺度 Scale	-	三角法 3rd Angle P.	単位 Unit	mm	株式会社 PATLITE Corporation