



MULTIFUNCTIONAL ACCESSORIES



Every small detail has a big impact on the entire system, especially when countless accessories fill hundreds of catalog pages. Developing an accessory for every new application fundamentally contradicts our concept of a World-Class Product Range.

Our accessories are multifunctional and fit not only to an exactly defined component, but to all other components in the entire Modular Automation System.



Cover or fasten

- universally usable Cover or Insert Extrusion
- fits 40 mm and 50 mm extrusions
- suitable for mounting 4 mm to 6 mm thick panels
- covers T-slots and protects against dust and water spray
- suitable for cable routing
- easy to assemble: snap in and go



Everything is possible with a single hinge

- universal hinge fits all applications
- one hinge for all doors
- attachment of non-Robotunits components possible



Fine-tuning and Fastening element

- multifunctional Fine-Tuning and Fastening Element
- form located positioning
- infinitely adjustable
- post-assembly insertion possible



Unique clamping device allows easy attachment of parts

- facilitates mounting of 3 mm to 10 mm thick panels without drilling
- clamping device is quickly mounted by inserting it into the slot
- no drilling of panels required
- parts can be reused
- fits 40 mm and 50 mm extrusions



Save time, cut cost

- multifunctional accessories reduce your cost of ordering and your inventory overhead
- standard labeling saves even more time in assembly and storage



Multifunctional Accessories

Conveyor Technology Accessories

Speed Controller
CCN 0004



P. 144

Power Supply 24V
301437



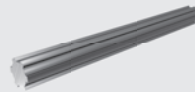
P. 144

Connection Hub
COP 4501



P. 145

Splined Shaft
COL 8500



P. 145

Tilt Plate 80
TIN 4561



P. 154

Tilt Plate 80 Bent
TIN 4571



P. 155

Connection Shaft
with Couplings
COL 52_0



P. 175

Fine-Tuning and
Fixing Element
TIN 4501



P. 178

Safety Fence Floor
Bracket
BAP 205_



P. 184

Anchor Bolt
BAP 2900



P. 184

Leveling Bases
BAS ____



P. 186

Castors
CAS ____



P. 188

Safety Fence Accessories

Weld Mesh
PAN ____



P. 146

Panel
PAN ____



P. 146

Weld Mesh Clip
SSP 4520



P. 147

Mesh Retainer
SSP 4515



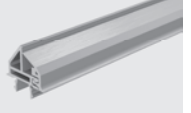
P. 147

Clamping Device
PIN 452_



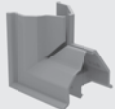
P. 148

Panel Profile
CAL 451_



P. 149

90° Corner Piece
CAN 4501



P. 150

270° Corner Piece
CAN 4503



P. 151

Safety Fence
Fastener
TIN 4511



P. 152

90° Safety Fence
Fastener
TIN 4521



P. 153

Bolt
SSP 4900



P. 156

Screw Retainer
Screw
SSP 5500



P. 156

Handle
DOR 4501



P. 157

Magnet Holder
DOR 4541



P. 157

Door Latch
DOR 4551



P. 158

Door Catch
DOR 4553



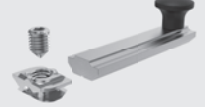
P. 159

Door Stop
DOR 4555



P. 160

Safety Slide
DOR 4557



P. 160

Hinge
DOR 4511



P. 161

Sliding Door
Track
DOL 4034



P. 162

Roller Set
DOR 4031



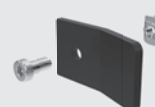
P. 162

Sliding Door Stop
DOR 4032



P. 163

Centering Guide
DOR 4571



P. 163

Slider
DOR 4573



P. 163

Door Support
Castor
DOR 456_



P. 164

Floor Catch
DOR 4561



P. 165

Safety Fence Floor
Bracket
BAP 205_



P. 184

Anchor Bolt
BAP 2900




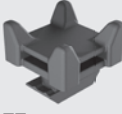



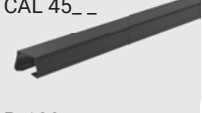
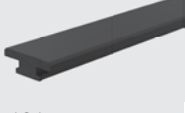
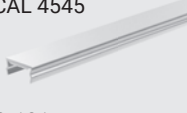
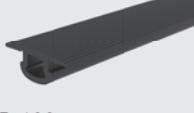











P. 184

Linear Motion System Accessories

<p>Timing Belt Pulley LIN 5400</p>  <p>P. 166</p>	<p>Timing Belt LIL 3008</p>  <p>P. 167</p>	<p>Timing Belt Clamp LIN 3221</p>  <p>P. 167</p>	<p>Idlers LIN 50__</p>  <p>P. 168</p>	<p>Eccentric Key LIN 9990</p>  <p>P. 169</p>	<p>Guiderail LIL 5000</p>  <p>P. 169</p>
<p>Carriage Plate LIN 1501 / 2001</p>  <p>P. 170</p>	<p>Limit Stop LIN 5191</p>  <p>P. 170</p>	<p>Proximity Switch Bracket LIN 8201</p>  <p>P. 171</p>	<p>Proximity Switch LIN 8310</p>  <p>P. 171</p>	<p>Angle Plug with Cable LIN 8312</p>  <p>P. 171</p>	<p>Motor Flange LIN 5241</p>  <p>P. 172</p>
<p>Coupling LIN 523__</p>  <p>P. 172</p>	<p>Driveshaft/Encoder Shaft LIN 52__</p>  <p>P. 173</p>	<p>Expanding Coupling LIN 5246</p>  <p>P. 174</p>	<p>Encoder LIN 7501</p>  <p>P. 174</p>	<p>Connection Shaft with Coupling COL 5240</p>  <p>P. 175</p>	

General Modular Accessories

<p>Connection Shaft with Couplings COL 52_0</p>  <p>P. 175</p>	<p>Cover Extrusion for PIL 4012 CAL 4012</p>  <p>P. 176</p>	<p>End Cap CAP__</p>  <p>P. 177</p>	<p>Cable Block PIN 4530</p>  <p>P. 177</p>	<p>Plastic Hook PIN 4590</p>  <p>P. 178</p>	<p>Fine-Tuning and Fixing Element TIN 4501</p>  <p>P. 178</p>
<p>Linear Slider LIN 404_/LIN 505_</p>  <p>P. 179</p>	<p>Cover/Insert Extrusion CAL 45_ _</p>  <p>P. 180</p>	<p>T-Slot Sliding Rail CAL 4540</p>  <p>P. 181</p>	<p>Aluminum Cover Extrusion CAL 4545</p>  <p>P. 181</p>	<p>Anti-Slip Profile CAL 4560</p>  <p>P. 182</p>	<p>Gasket CAL 4565</p>  <p>P. 183</p>
<p>Safety Fence Floor Bracket BAP 205_</p>  <p>P. 184</p>	<p>Anchor Bolt BAP 2900</p>  <p>P. 184</p>	<p>Base and Transport Plates BAP __</p>  <p>P. 185</p>	<p>Leveling Bases BAS __</p>  <p>P. 186</p>	<p>Floor Mounting Plate BAP 4500</p>  <p>P. 187</p>	<p>Castors CAS __</p>  <p>P. 188</p>
<p>Allen Key for Hex Socket Head Cap Screws EQL 1001_</p>  <p>P. 190</p>	<p>1/4" Hex Bit with Ball End EQL 1005_</p>  <p>P. 191</p>				

CCN0004

Speed Controller



European version

Speed Controller type may vary by country / region

Application

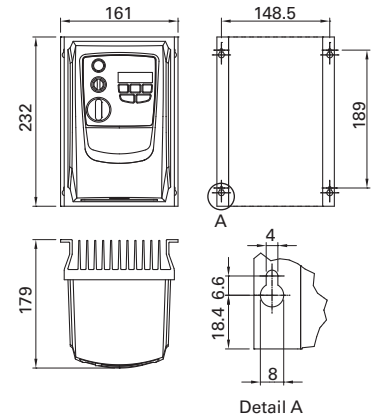
Variable frequency drive for controlling motor speed

Technical Data

Input voltage: 230 or 400 VAC
 Input frequency: 50/60 Hz
 Power output: 0.75 kW
 IP rating: IP66

Scope of delivery: Speed Controller un-wired or Controller with CEE oder SCHUKO plug, power cable and connecting cable to the conveyor

Completely wired when ordering with conveyor, otherwise 3 m cable with flying leads



Order Code

Description	Order Code ¹	Weight
Speed Controller (not wired)	CCN0004	2,300 kg

301437

Power Supply 24V



European version

Power Supply type may vary by country / region

Application

Power supply with rotary switch for switching the conveyor on and off

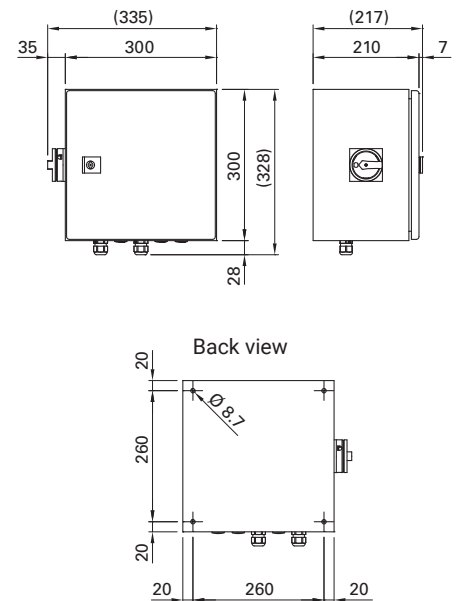
A maximum of 12 motor rollers may be connected to one power supply.

Technical Data

Housing material: powder-coated RAL 7035
 Operating voltage: 400 VAC
 Power frequency: 50 Hz
 Control voltage: 24 VDC
 Power rating: 10 A
 Connected load: 6.9 kW
 IP rating: IP54

Scope of delivery: Power Supply 24V with CEE plug, power cable and connection cable to the conveyor

Completely wired when ordering with conveyor, otherwise 3 m cable with open end



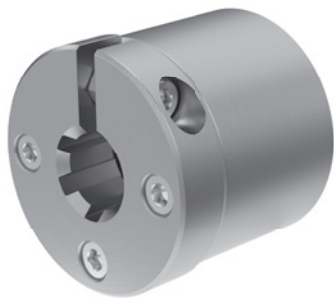
Order Code

Description	Order Code ¹	Weight
Power Supply 24V	301437	10 kg + 0.2 kg/m power cable connection

1) Please complete the order by adding the desired length of the power supply cable connection.
 Drawing dimensions in mm

COP4501

Connection Hub



Application

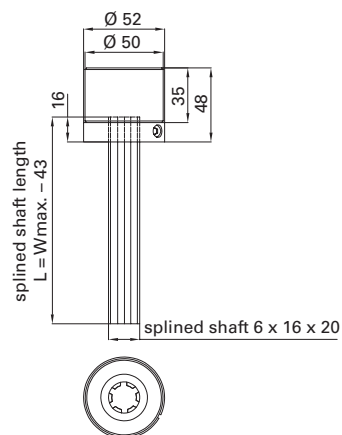
For connecting adjustable timing belt conveyors

Technical Data

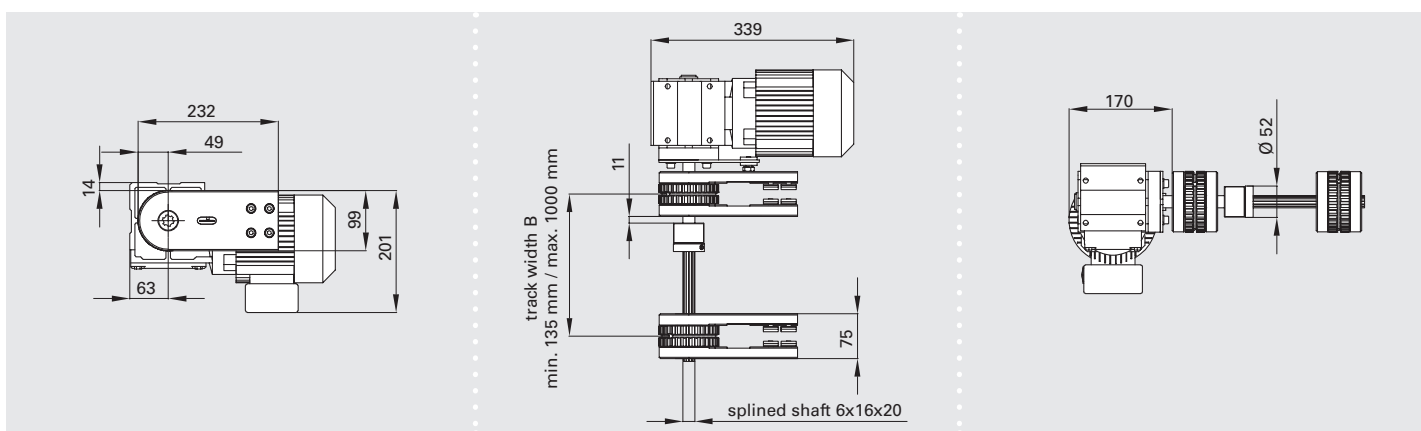
Max. torque: 60 Nm

Scope of Delivery

- 1 C8T Splined Shaft Clamping Ring
- 1 C8T Connection Hub
- 1 Expanding Coupling LIN 5246
- 3 screws IBM M05x016



Adjustable Drive Dimensions

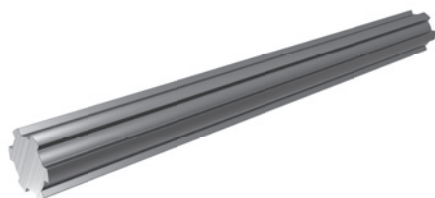


Order Code

Description	Order Code	Weight
Connection Hub Kit	COP4501	0.550 kg

COL8500

Splined Shaft



Application

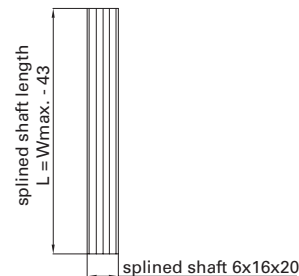
For connecting adjustable timing belt conveyors

Technical Data

Max. torque: 60 Nm

Scope of Delivery

- 1 Splined Shaft, DIN-ISO 14 - 6x16x20



Order Code

Description	Order Code ¹	Weight
Splined Shaft, cut to length	COL8500SNN	1.930 kg/m
Splined Shaft, stock length 2000 mm	COL8500NNN	1.930 kg/m

1) Please complete the order by adding the length parameters for cut to length orders.
Drawing dimensions in mm

PAN__S4_

Weld Mesh

**Application**

Used for Safety Fencing

Fastening:

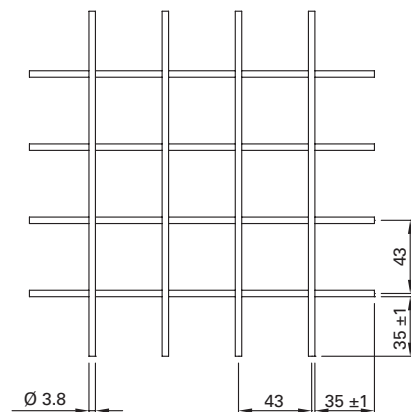
- Weld Mesh Clip SSP4520
- Safety Fence Mesh Retainer SSP4515

Technical Data

Material: galvanized steel

Design tip:

Standard widths and lengths offer an outstanding price/performance ratio and quick delivery.



Order Code

Description	Order Code ¹	Weight
Weld Mesh, 40x40, galvanized, 461x1966 mm	PAN0461S4N	3.952 kg
Weld Mesh, 40x40, galvanized, 719x1966 mm	PAN0719S4N	6.163 kg
Weld Mesh, 40x40, galvanized, 977x1966 mm	PAN0977S4N	8.375 kg
Weld Mesh, 40x40, galvanized, 1450x1966 mm	PAN1450S4N	12.429 kg
Weld Mesh, 40x40x4 mm	PANS4S	4.360 kg/m ²

PAN__N

Panels

**Application**

Used for Safety Fencing

Fastening:

- Clamping Device PIN4521
- Cover/Insert Extrusion
CAL4500, CAL4504, CAL4510
- Panel Profile CAL4515, CAL4517,
- Corner Piece CAN4501, CAN4503

Technical Data

Material: Polycarbonate glass or expanded PVC sheets, gray

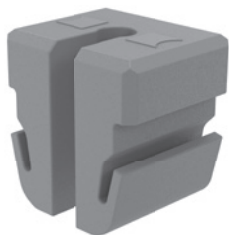
Order Code

Description	Order Code ¹	Weight/m ²
Polycarbonate Sheet, clear, 4 mm	PANP4N	4.800 kg
Polycarbonate Sheet, clear, 5 mm	PANP5N	6.000 kg
Polycarbonate Sheet, clear, 6 mm	PANP6N	7.200 kg
Polycarbonate Sheet, brown tinted, 4 mm	PANQ4N	4.800 kg
Polycarbonate Sheet, brown tinted, 5 mm	PANQ5N	6.000 kg
Polycarbonate Sheet, brown tinted, 6 mm	PANQ6N	7.200 kg
Expanded PVC Panel, gray similar to RAL 7004	PANG5N	3.250 kg

1) Please complete the order by adding the length and width parameters for cut orders.
Drawing dimensions in mm

SSP4520

Weld Mesh Clip

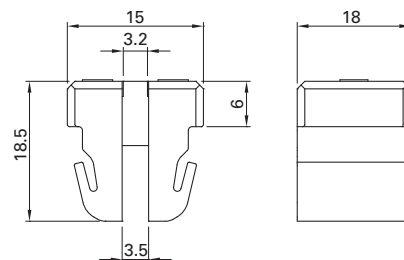
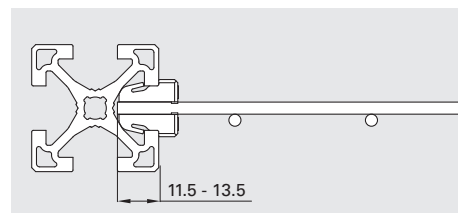
**Application**

For form-located integration of Weld Mesh panels into an extrusion frame

Technical Data

Material: PA6 V0

Color: RAL 7004 (signal gray)

**Assembly****Order Code**

Description	Order Code	Weight
Weld Mesh Clip	SSP4520	0.005 kg

SSP4515

Mesh Retainer

**Application**

For form-located integration of Weld Mesh panels into an extrusion frame

- Electrically conductive connection between weld mesh panels and extrusion frame
- can be used with non-standard spacing

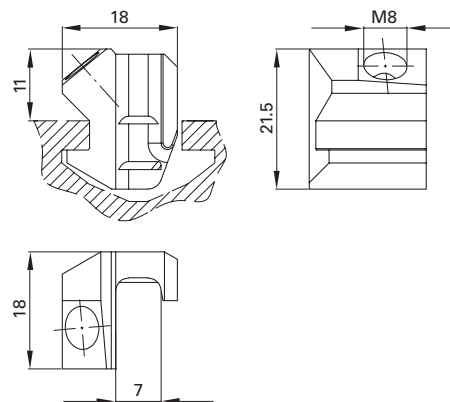
Technical Data

Material: steel

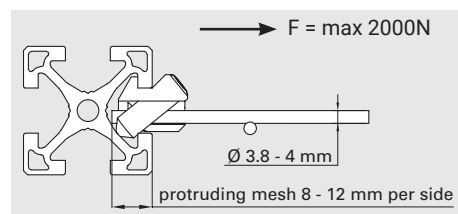
Scope of Delivery

1 Mesh Retainer SSP4514

1 Set Screw GST M08x025 (waxed)

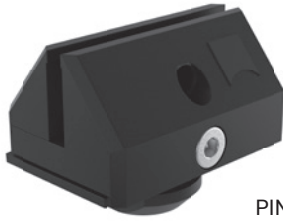


Transfer resistance per conductive connection: <math>< 0,4 \Omega</math>

Assembly**Order Code**

Description	Order Code	Weight
Mesh Retainer Kit	SSP4515	0.025 kg

Drawing dimensions in mm



PIN4521



PIN4520



PIN4522

Application

- For attaching panels to extrusions, usable with 40 mm and 50 mm series extrusions
- As standard, panels do not need to be drilled
 - High retention force

Technical Data

Material: PA6, black, galvanized steel
 Load: up to 250 N, perpendicular to slot
 Centerline: 1 - 10 mm
 Protection against inadvertent movement of panels through pre-tensioning of clamps

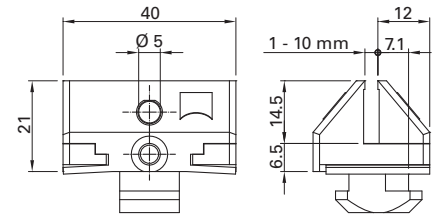
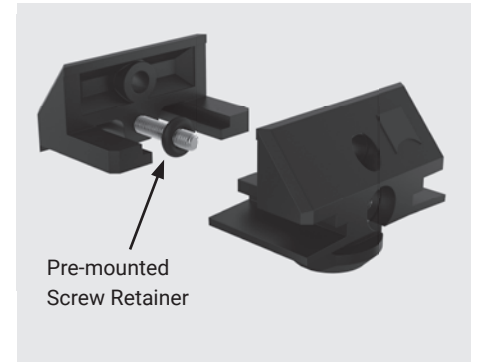
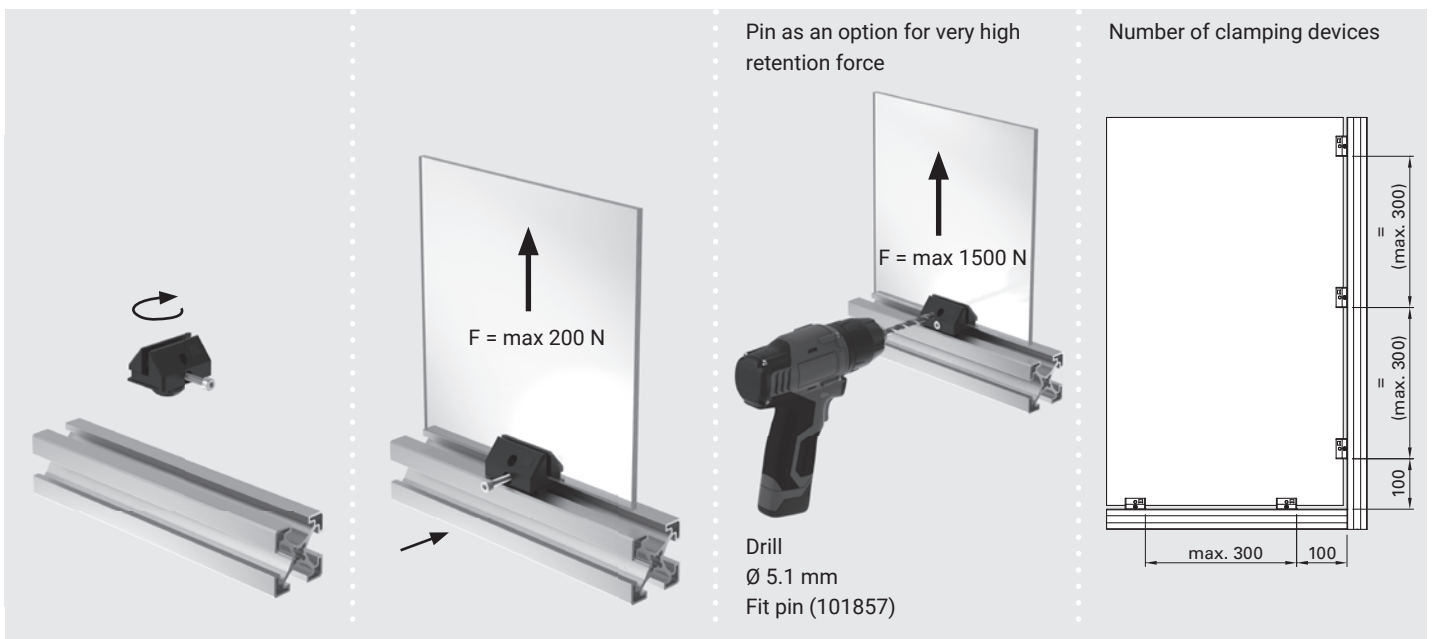
Retention Force

Without pin: 200 N
 With pin (101857): 1500 N
 (Polycarbonate glass)

Scope of Delivery

1 Clamping Device base part
 1 Clamping Device sliding part
 1 Screw IBS M04x25
 1 Screw Retainer

Panel size =
 inside width minus 15 mm

**Screw Retainer****Assembly****Order Code**

Description	Order Code	Weight
Clamping Device Kit	PIN4521	0.021 kg
Clamping Device base part, incl. insert nut	PIN4520	0,010 kg
Clamping Device sliding part, pre-assembled	PIN4522	0,011 kg
Pin	101857	0.002 kg

Drawing dimensions in mm

**Application**

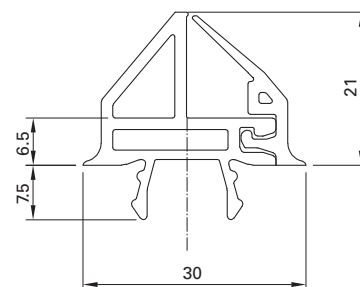
For fastening of panels between 1 - 3 mm and 3.1 - 6 mm thick, also suitable for later installation

- Adequate protection against dust, water spray and noise
- Appealing design

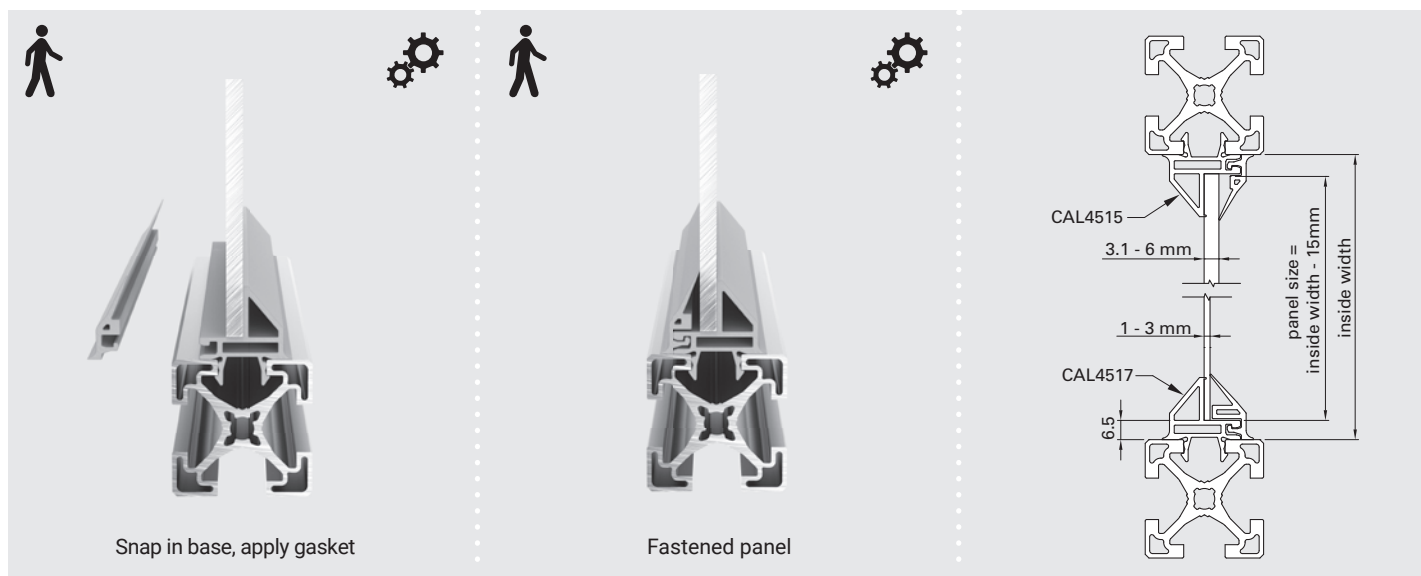
Technical Data

Material: impact-resistant PVC with soft lip, RAL 7004 (signal gray), UV-resistant, silicone-free

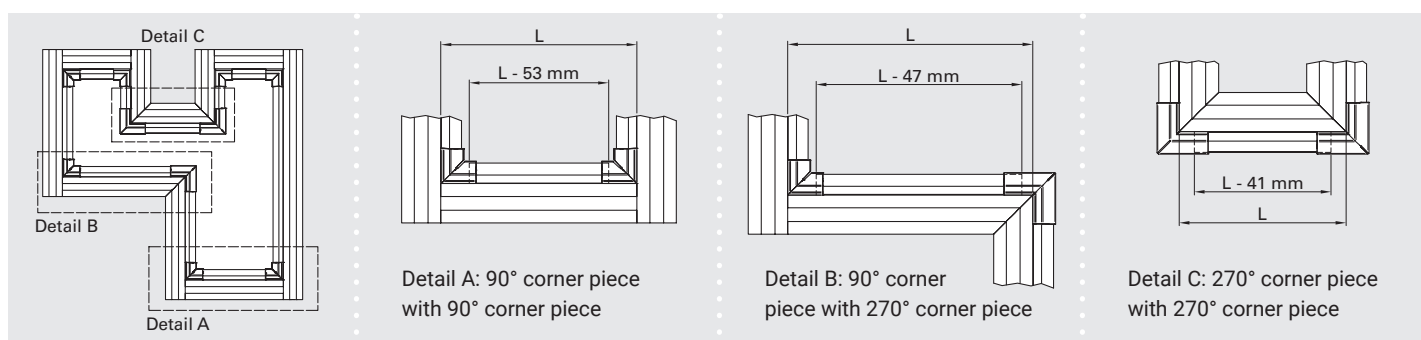
Temperature range: -10°C to +60°C



Assembly



Length Calculation



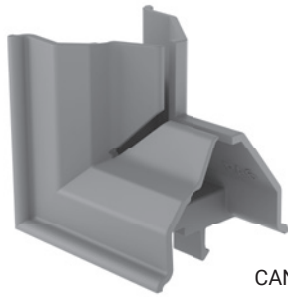
Order Code

Description	Order Code ¹	Weight/Meter
Panel Profile 3.1 – 6 mm, cut to length	CAL4515SNN	0.280 kg
Panel Profile 3.1 – 6 mm, stock length 3000 mm	CAL4515NNN	0.280 kg
Panel Profile 3.1 – 6 mm, 25 pcs., stock length 3000 mm	CAL4515PAC	0.280 kg
Panel Profile 1 – 3 mm, cut to length	CAL4517SNN	0.280 kg
Panel Profile 1 – 3 mm, stock length 3000 mm	CAL4517NNN	0.280 kg
Panel Profile 1 – 3 mm, 25 pcs., stock length 3000 mm	CAL4517PAC	0.280 kg

1) Please complete the order by adding the length parameters for cut to length orders.
Drawing dimensions in mm

CAN4501

90° Corner Piece



CAN4501

Application

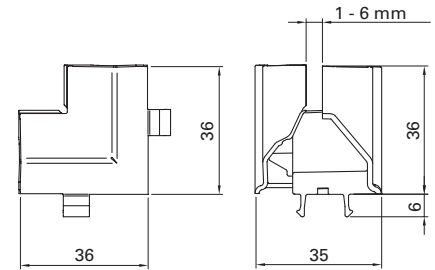
Used as 90° corner trim for Panel Profiles CAL4515 and CAL4517

Technical Data

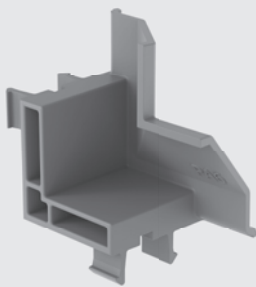
Material: POM, UV-resistant, silicone-free
Color: RAL 7004 (signal gray)
Temperature Range: -10 °C to +60 °C

Scope of Delivery

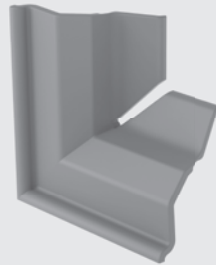
1 90° Corner Piece base part
1 90° Corner Piece top part



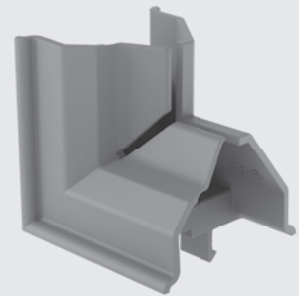
Parts



90° Corner Piece base part (101419)

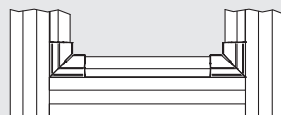
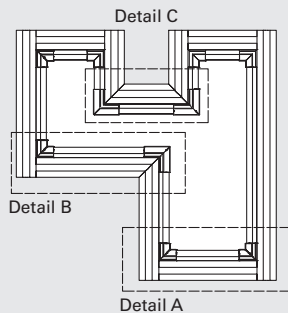


90° Corner Piece top part (101420)

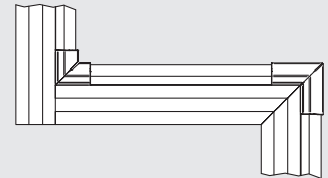


90° Corner Piece Kit (CAN4501)

Assembly



Detail A: 90° Corner Piece with 90° Corner Piece



Detail B: 90° Corner Piece with 270° Corner Piece

Order Code

Description	Order Code	Weight
90° Corner Piece Kit	CAN4501	0.010 kg
90° Corner Piece base part	101419	0,006 kg
90° Corner Piece top part	101420	0,004 kg

Drawing dimensions in mm

CAN4503

270° Corner Piece



CAN4503

Application

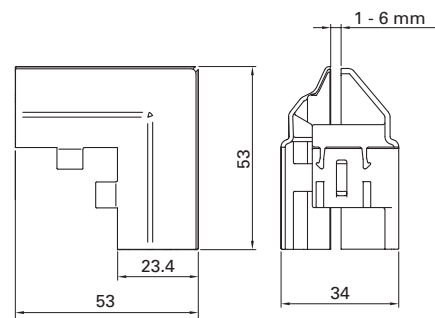
Used as 270° corner trim for Panel Profiles CAL4515 and CAL4517

Technical Data

Material: PA6, UV-resistant, silicone-free
 Color: RAL 7004 (signal gray)
 Temperature Range: -10 °C to +60 °C

Scope of Delivery

1 270° Corner Piece base part
 1 270° Corner Piece top part

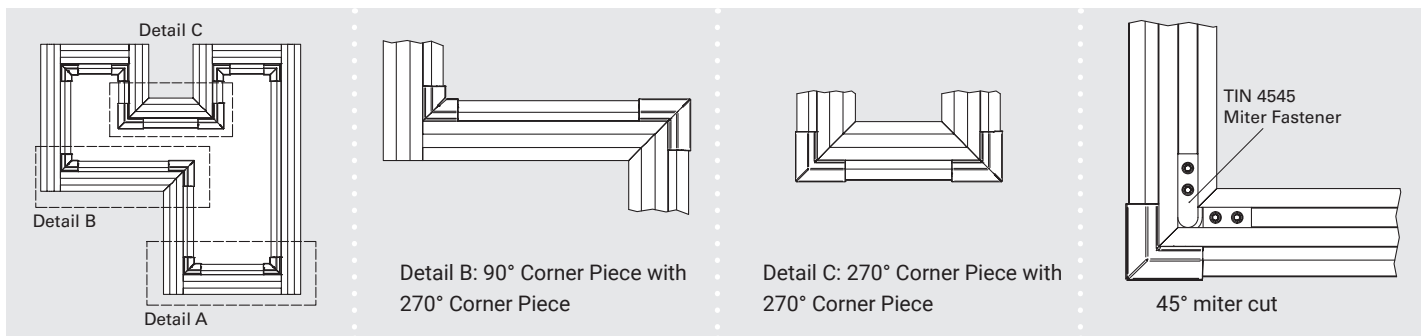


A 45° miter cut of the extrusion is necessary if the 270° Corner Piece is to be used.

Parts



Assembly



Order Code

Description	Order Code	Weight
270° Corner Piece Kit	CAN4503	0.012 kg
270° Corner Piece base part	101421	0,008 kg
270° Corner Piece top part	101422	0,004 kg

Drawing dimensions in mm

TIN4511

Safety Fence Fastener

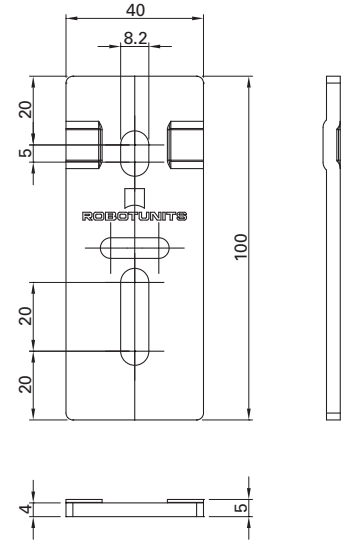
**Application**

For variable fastening options of safety fence components

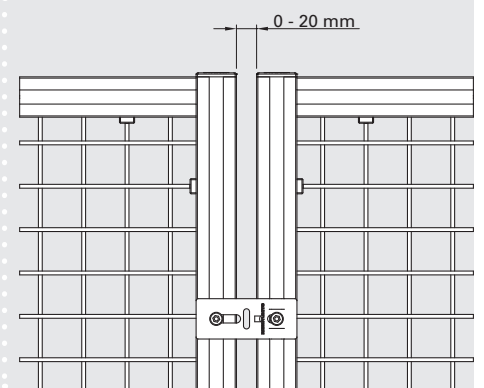
- 90° connections of extrusions and as end cap
- Strong connection between panels

Technical Data

Material: galvanized steel

**Assembly**

Sturdy connection between panels

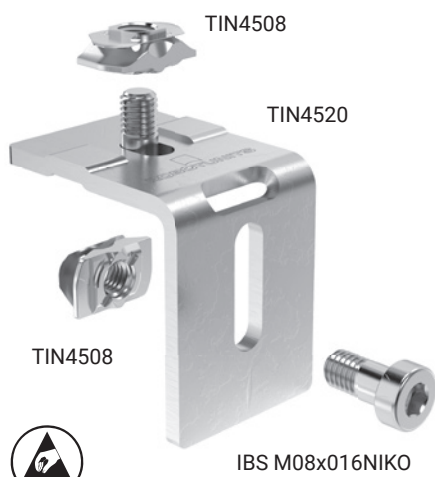
**Order Code**

Description	Scope of Delivery			Order Code	Weight
	TIN4510	TIN4508	IBS M08x016 NIKO		
Safety Fence Fastener Kit	1	2	2	TIN4511	0.150 kg

Drawing dimensions in mm

TIN4521

90° Safety Fence Fastener

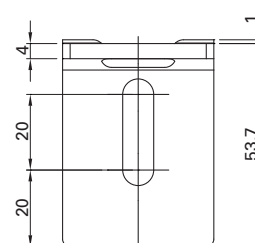
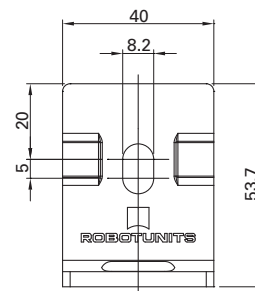
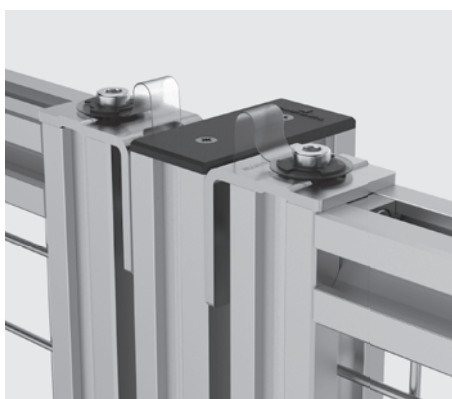
**Application**

For variable fastening options of safety fence components

- 90° connections of extrusions and as end cap
- Strong connection between panels
- Adjustable corner brackets from 0° to 180°

Technical Data

Material: galvanized steel

Assembly**Order Code**

Description	Scope of Delivery			Order Code	Weight
	TIN4520	TIN4508	IBS M08x016NIKO		
90° Safety Fence Fastener Kit	1	2	2	TIN4521	0.150 kg

Drawing dimensions in mm



TIN4561

Tilt Plate 80

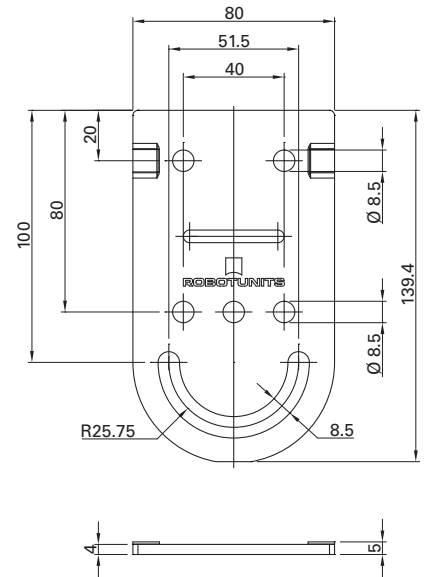
**Application**

Variable connection of modular components

- Sturdy connection of conveyor and stand
- Infinitely adjustable incline

Technical Data

Material: galvanized steel



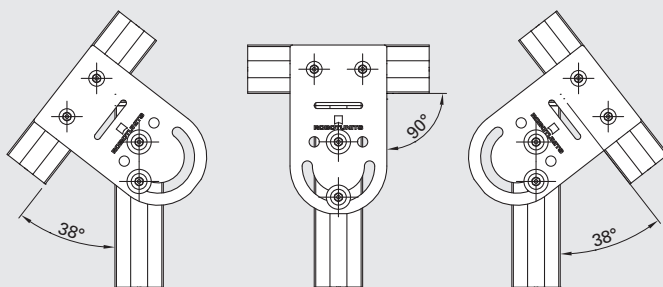
Application

Connection of conveyor and stand

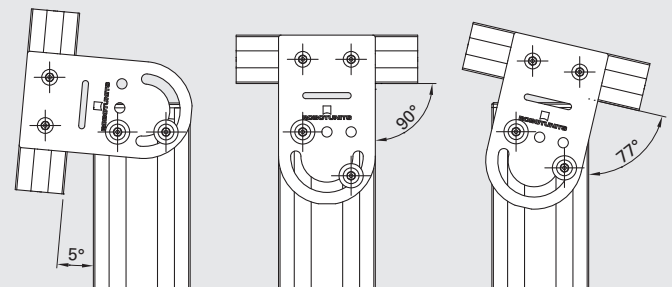


Possible inclination settings

40 mm series



80 mm series



Order Code

Description	Scope of Delivery				Order Code	Weight
	TIN4530	TIN4508	IBS M08x016NIKO	BLS M008S02		
Tilt Plate 80 Kit	1	4	4	2	TIN4561	0.370 kg

Drawing dimensions in mm

TIN4571

Tilt Plate 80 Bent

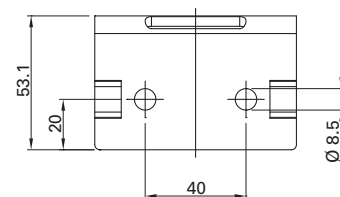
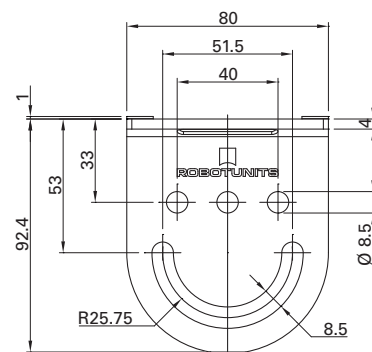
**Application**

Variable connection of modular components

- Workplace applications e.g. for shelves
- Infinitely adjustable incline (Bracket as with TIN 4531)

Technical Data

Material: galvanized steel



Application

Workstation



Order Code

Description	Scope of Delivery				Order Code	Weight
	TIN 4540	TIN 4508	IBS M08x016NIKO	BLS M008S02		
Tilt Plate 80 Bent Kit	1	4	4	2	TIN4571	0.370 kg

Drawing dimensions in mm

SSP4900

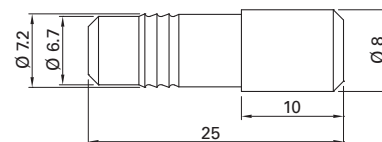
Bolt

**Application**

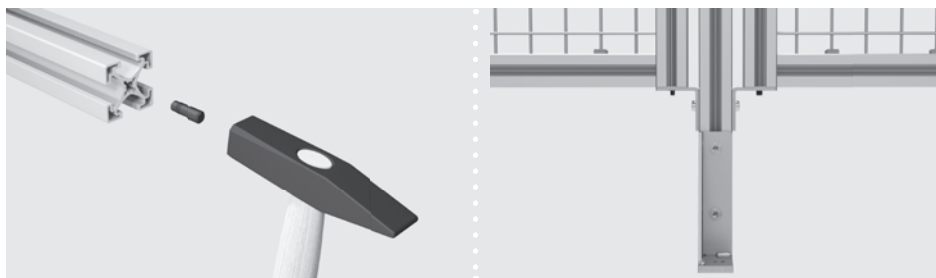
For mounting Allround Panels

Technical Data

Material: nitrated steel



Function



Order Code

Description	Order Code	Weight
Bolt	SSP4900	0.010 kg

SSP5500

Screw Retainer

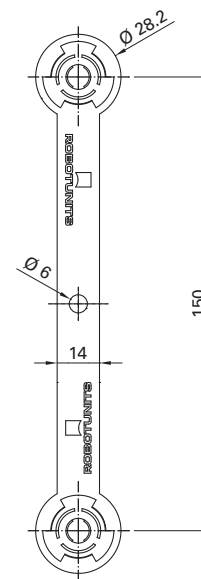
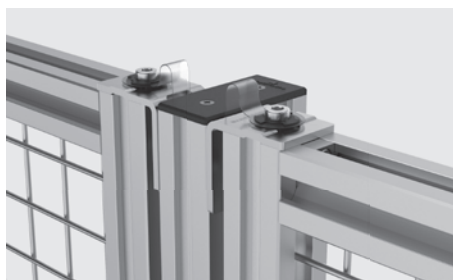
**Application**

For securing M8 retaining screws
(e.g. for Allround Panel)

Technical Data

Material: PVC and PA

Application



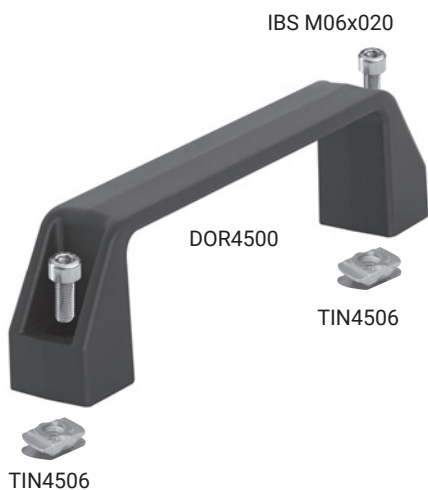
Order Code

Description	Order Code	Weight
Screw Retainer	SSP5500	0.001 kg

Drawing dimensions in mm

DOR4501

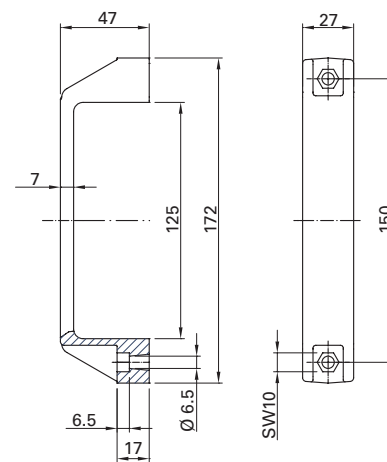
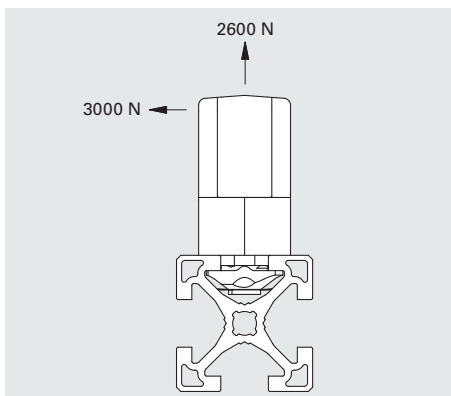
Handle



Application
For use with doors, panels, carts etc.

Technical Data
Material: PA/GF composite, galvanized steel

Retention Force



Order Code

Description Handle Kit	Scope of Delivery			Order Code DOR4501	Weight 0.100 kg
	DOR4500 1	TIN4506 2	IBS M06x020 2		

DOR4541

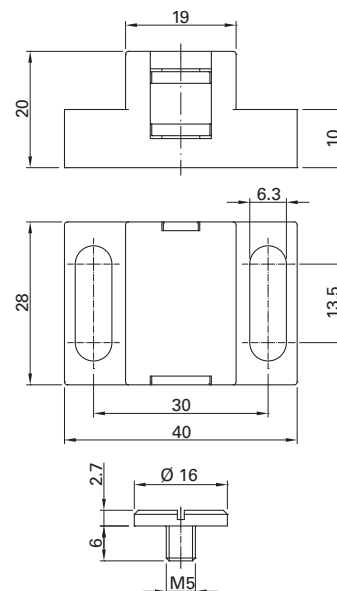
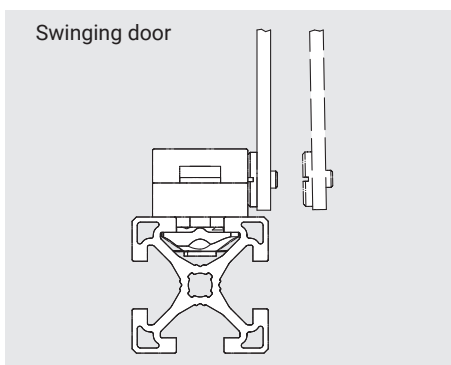
Magnet Holder



Application
Closing device for frameless doors

Technical Data
Material: POM composite, black, galvanized steel

Application



Retention Force: front 20 N, back 8 N

Order Code

Description Magnet Holder Kit	Scope of Delivery				Order Code DOR4541	Weight 0.075 kg
	DOR4540 1	TIN4506 2	IBS M06x020 2	BLS M006 2		

DOR4551

Door Latch



TIN4506

DOR4550

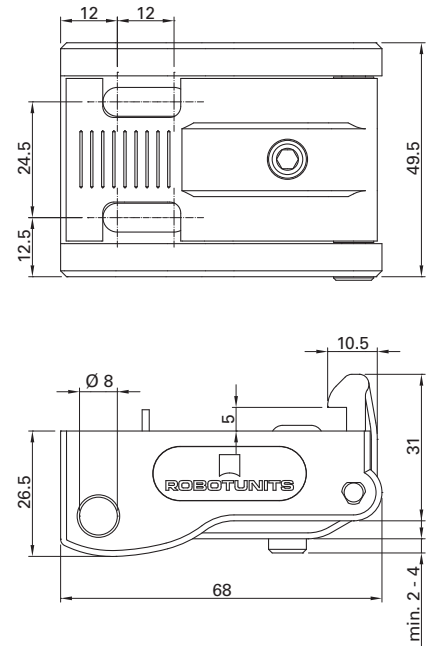
Application

To latch door panels directly to door posts. Door can only be opened by pushing the door latch. Suitable for 40 mm and 50 mm series extrusions.

Technical Data

Material: PA6 30 GF, black, galvanized steel

For extra security.



Application



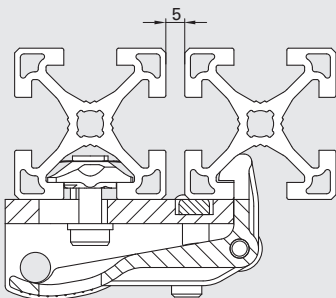
Secure: Push latch to open door.



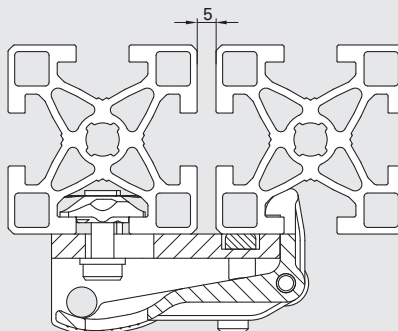
Door latch can be **secured with a padlock against inadvertent opening**. Lock bolt diameter: 7 mm



Door latch can be **secured with a padlock against inadvertent closing**. Lock bolt diameter: 7 mm



Application: door latch in 40 mm series



Application: door latch in 50 mm series



Adjustable pre-tension for optimal retention force. Set screw must always protrude by at least 2 mm.

Order Code

Description	Scope of Delivery		Order Code	Weight
	DOR4550	TIN4506		
Door Latch Kit	1	2	DOR4551	0.100 kg

Drawing dimensions in mm

DOR4553

Door Catch



TIN4506

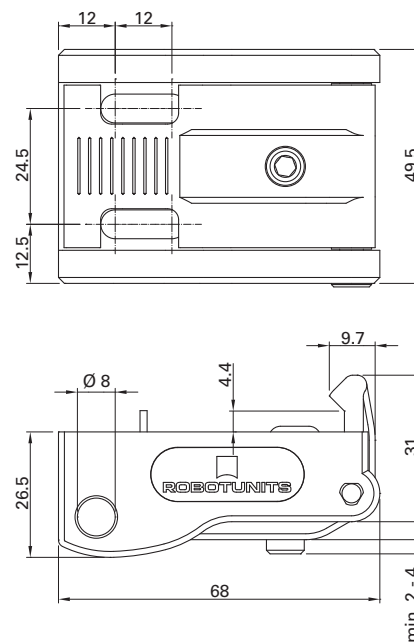
DOR4552

Application

To latch door panels directly to door posts. Door can be opened by pulling door handle. Suitable for 40 mm and 50 mm series extrusions.

Technical Data

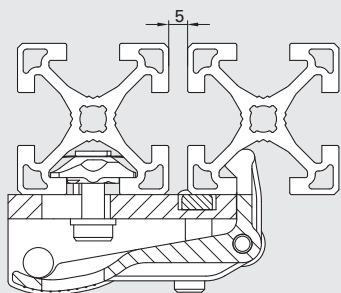
Material: PA6 30 GF, black, galvanized steel



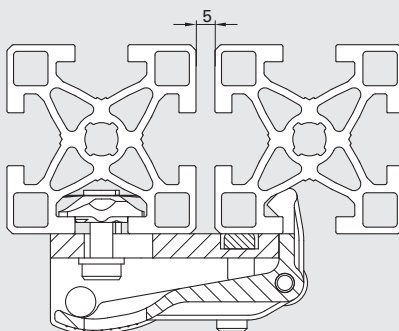
Application



Pull to release and open.



Application of door latch in 40 mm series



Application of door latch in 50 mm series



Adjustable pre-tension for optimal retention force. Set screw must always protrude by at least 2 mm.

Order Code

Description Door Catch Kit	Scope of Delivery		Order Code DOR4553	Weight 0.100 kg
	DOR4552 1	TIN4506 2		

Drawing dimensions in mm

DOR4555

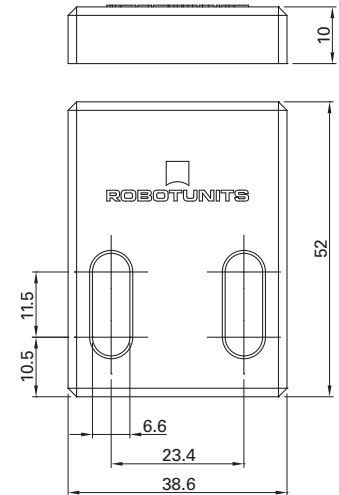
Door Stop

**Application**

Used as a fixed door stop

Technical Data

Material: PA6 30 GK, galvanized steel

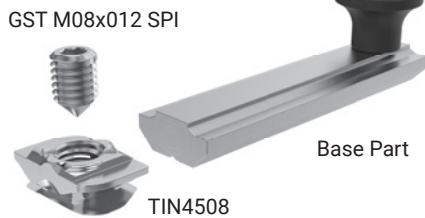


Order Code

Description	Scope of Delivery				Order Code	Weight
	DOR4554	TIN4506	IBS M06x020	BLS M006		
Door Stop Kit	1	2	2	2	DOR4555	0.020 kg

DOR4557

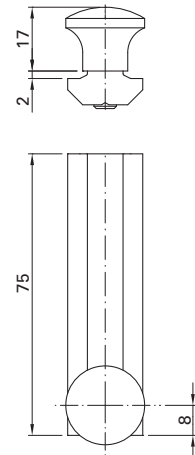
Safety Slide

**Application**

Prevents inadvertent closing of doors. Suitable for 40 mm and 50 mm series extrusions.

Technical Data

Material: galvanized steel; Duroplast



Application



Order Code

Description	Scope of Delivery			Order Code	Weight
	Base Part	TIN4508	GST M08x012 SPI		
Safety Slide Kit	1	1	1	DOR4557	0.090 kg

Drawing dimensions in mm

DOR4511

Hinge

**Application**

For hinged structures. Inserts allow for use with 40 mm and 50 mm series extrusions.

Technical Data

Material: GD-Zn black, coated, galvanized steel

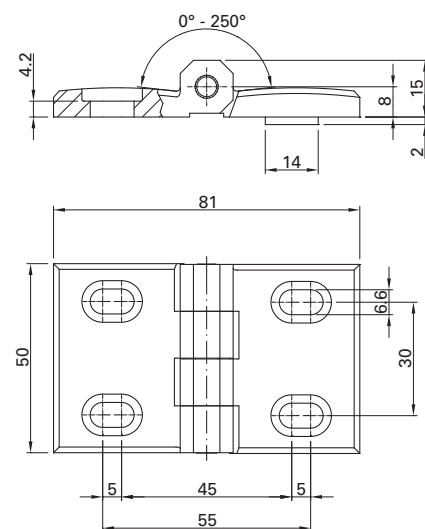
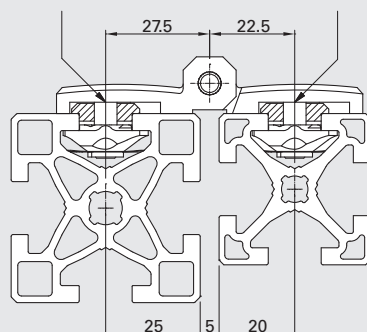
Tightening torque

IBS M06x016NIKO = 9 Nm

Assembly

Use with 50 mm series facing outwards

Use with 40 mm series turned towards pivot

**Order Code**

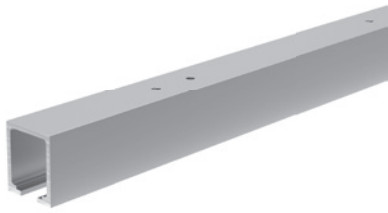
Description	Scope of Delivery			Order Code	Weight
	DOR4510	TIN4506	IBS M06x016NIKO		
Hinge Kit	1	4	4	DOR4511	0.222 kg

Drawing dimensions in mm



DOL4034

Sliding Door Track

**Application**

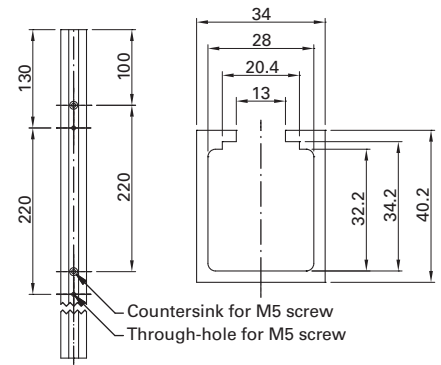
For sliding doors

Technical Data

Material: clear anodized aluminum

Hole spacing = 220 mm

Max. load = 80 kg per sliding door

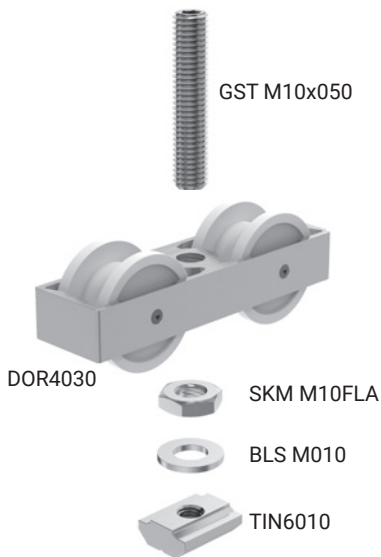


Order Code

Description	Order Code ¹	Weight/Meter
Sliding Door Track, cut to length	DOL4034SNN	0.996 kg
Sliding Door Track, stock length 6050 mm	DOL4034NNN	0.996 kg

DOR4031

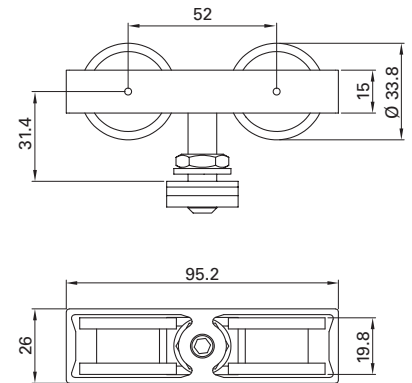
Roller

**Application**

Sliding Door

Technical Data

Material: clear anodized aluminum, PA6 white, galvanized steel



Order Code

Description	Scope of Delivery					Order Code	Weight
	DOR4030	TIN6010	SKM M10FLA	GST M10x050	BLS M010		
Roller Kit	1	1	1	1	1	DOR4031	0.140 kg

1) Please complete the order by adding the length parameters for cut to length orders.
Drawing dimensions in mm

DOR4032

Sliding Door Stop



Application

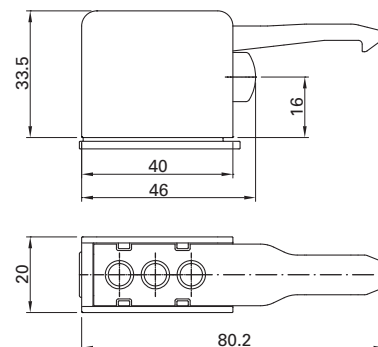
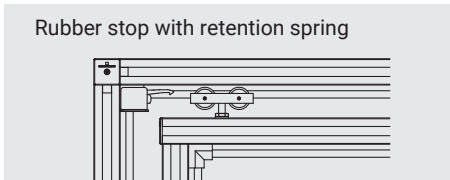
Mechanical stop and retainer for sliding door

Technical Data

Material: aluminum, galvanized steel, rubber

Application

Rubber stop with retention spring

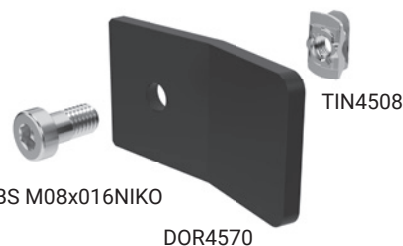


Order Code

Description Sliding Door Stop	Order Code	Weight
	DOR4032	0.126 kg

DOR4571

Centering Guide

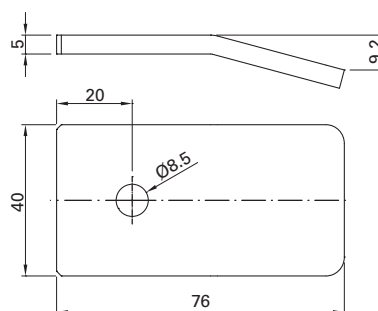


Application

For sliding doors

Technical Data

Material: powder-coated steel

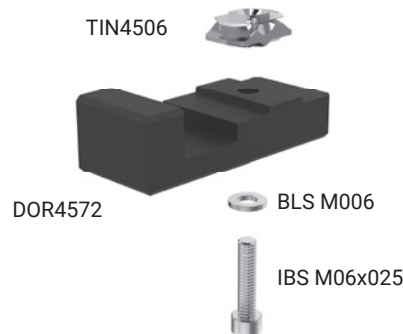


Order Code

Description Centering Guide Kit	Scope of Delivery			Order Code	Weight
	DOR4570	TIN4508	IBS M08x016NIKO	DOR4571	0.100 kg
	1	1	1		

DOR4573

Slider

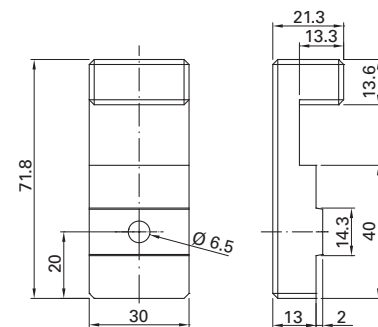


Application

For sliding doors

Technical Data

Material: black POM composite



Order Code

Description Slider Kit	Scope of Delivery				Order Code	Weight
	DOR4572	TIN4506	IBS M06x025	BLS M006	DOR4573	0.060 kg
	1	1	1	1		



Door Support Castor Kit, rigid



Door Support Castor Kit, swivel

Application

Rolling support for panels, doors

Technical Data

Material: clear anodized aluminum, galvanized steel, rubber

Scope of Delivery

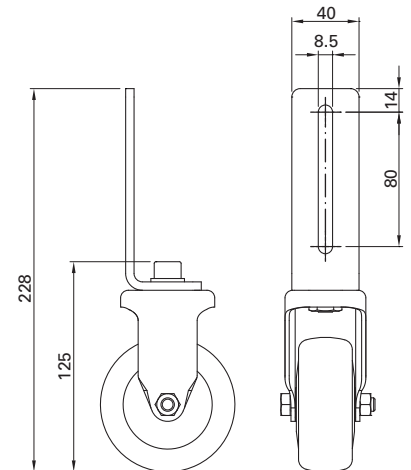
Door Support Castor Kit, rigid DOR4565:

- 1 Rigid Castor with Bolt Hole Fitting CAS2082
- 1 Bracket for Support Castor
- 1 Screw IBS M10x020
- 2 Washers BLS M010
- 1 Hexagon Nut SKM M10
- 2 Screws IBS M08x016NIKO
- 2 Drop-in Nuts TIN4508
- 2 Washers BLS M008

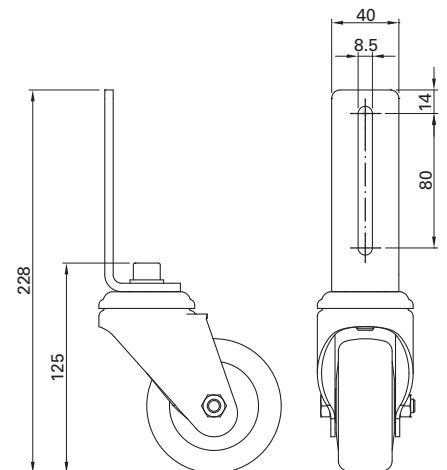
Door Support Castor Kit, swivel DOR4567:

- 1 Swivel Castor with Bolt Hole Fitting CAS2080
- 1 Bracket for Support Castor
- 1 Screw IBS M10x030
- 2 Washers BLS M010
- 1 Hexagon Nut SKM M10
- 2 Screws IBS M08x016NIKO
- 2 Drop-in Nuts TIN4508
- 2 Washers BLS M008

Door Support Castor Kit, rigid



Door Support Castor Kit, swivel

**Order Code**

Description	Order Code	Weight
Door Support Castor Kit, rigid	DOR4565	0.510 kg
Door Support Castor Kit, swivel	DOR4567	0.680 kg

Drawing dimensions in mm

DOR4561

Floor Catch

**Application**

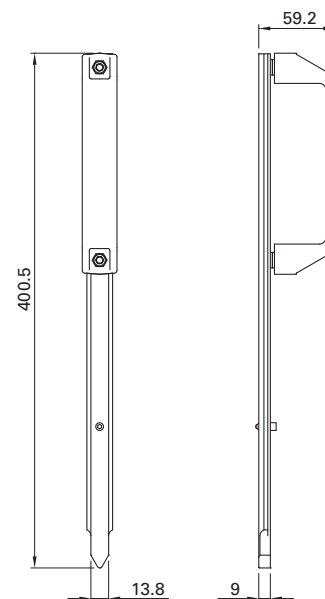
For double door

Technical Data

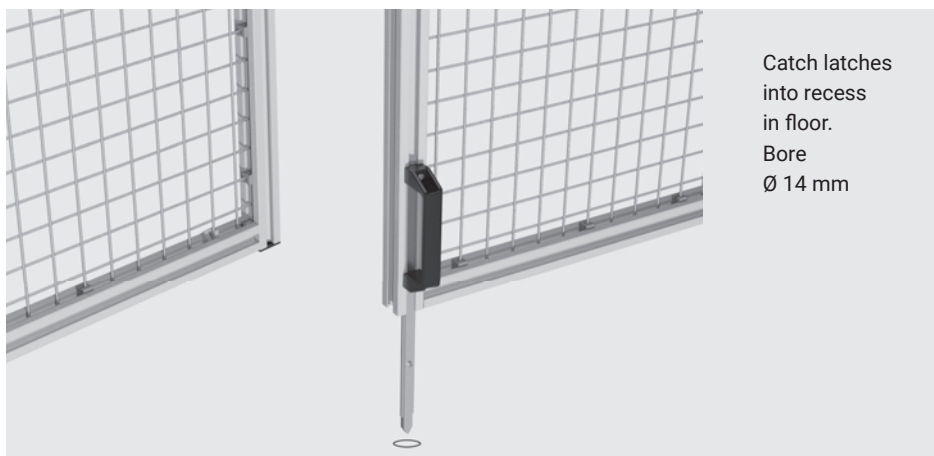
Material: galvanized steel, PA/GF composite

Scope of Delivery

- 1 Floor Catch Base Part
- 1 Handle DOR4500
- 2 Screws M06x020
- 4 Washers BLS M006
- 1 Spring-Loaded Pressure Part with Band and Hexagon Socket-Head GST M06x015FED



Application



Catch latches
into recess
in floor.
Bore
Ø 14 mm

Order Code

Description	Order Code	Weight
Floor Catch Kit	DOR4561	0.545 kg

Drawing dimensions in mm

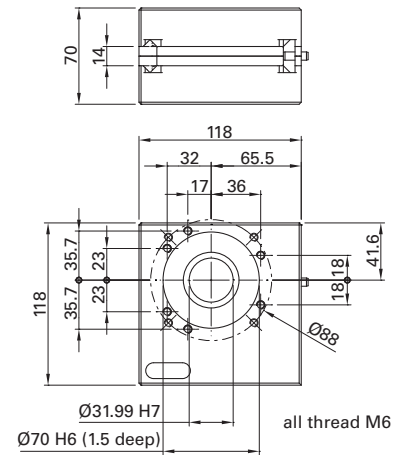
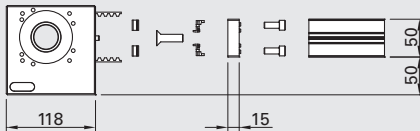
**Application**

Drive and idler pulley for Linear Motion Unit, suitable for 50 mm series extrusions.

Technical Data

Material: black anodized aluminum, steel
 Max. drive torque: 60 Nm
 Carriage stroke per revolution: 200 mm
 Pitch circle diameter: 63.66 mm

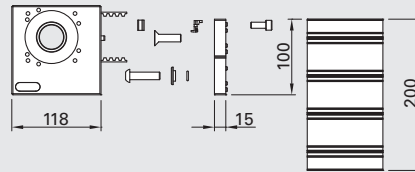
Flange plates for motor connection are available upon request.

**Application****Connection Option LIN5451**

For connecting to extrusions:
 50x50, 50x100 flat, 50x200 flat

Scope of Delivery

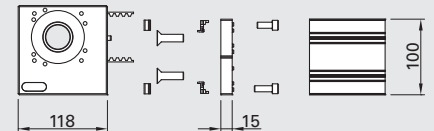
- 1 Timing Belt Pulley LIN5400
- 1 Fastener 50x50 FAS5050
- 2 Centering Inserts FAS5052
- 2 Drop-in Nuts TIN4508
- 2 Screws IBS M08x020
- 1 screw IBS M10x035

**Connection Option LIN5421**

For connecting to extrusions:
 50x200 upright

Scope of Delivery

- 1 Timing Belt Pulley LIN5400
- 1 Fastener 50x50 FAS5050
- 1 Fastener 50x50 FAS5050, modified
- 1 FAS5052 centering insert
- 1 Drop-in Nut TIN4508
- 1 screw IBS M08x020
- 1 screw IBS M10x035
- 1 TIN plate for Special Fastener 50 with O-ring and screw LKS M10x040

**Connection Option LIN5411**

For connecting to extrusions:
 50x100 upright, 100x100

Scope of Delivery

- 1 Timing Belt Pulley LIN5400
- 1 Fastener 50x50 FAS5050
- 1 Fastener 50x50 FAS5050, modified
- 2 Centering Inserts FAS5052
- 2 Drop-in Nuts TIN4508
- 2 Screws IBS M08x020
- 2 Screws SKS M10x035

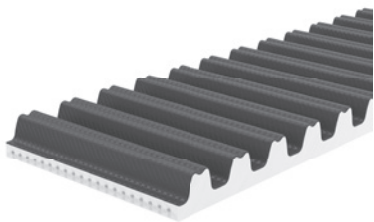
Order Code

Description	Order Code	Weight
Timing Belt Pulley	LIN5400	1.660 kg
Timing Belt Pulley with Fastening Kit 100	LIN5411	1.950 kg
Timing Belt Pulley with Fastening Kit 200	LIN5421	2.000 kg
Timing Belt Pulley with Fastening Kit 50	LIN5451	2.050 kg

1) Please complete the order by adding the length parameters for cut to length orders.
 Drawing dimensions in mm

LIL3008

Timing Belt



Timing Belt Length Calculation

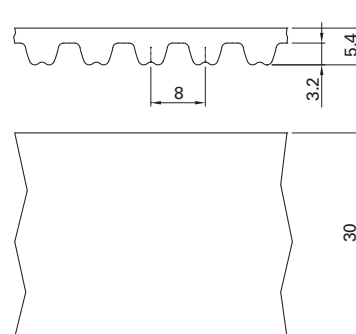
TL (Total Length), SL (Stroke Length),
L (Timing Belt Length):
 $L = 2 \times TL - 136$ or $L = 2 \times SL + 944$

Application

Power transmission from drive to carriage.

Technical Data/Scope of Delivery

Material: PU timing belt, white,
PAZ coating on toothed side,
Max. tensile load: 2000 N
Recommended pre-tension of timing belt:
0.1 % = approx. 500 N pre-tension
Timing Belt designation: RPU-8M-30-PAZ

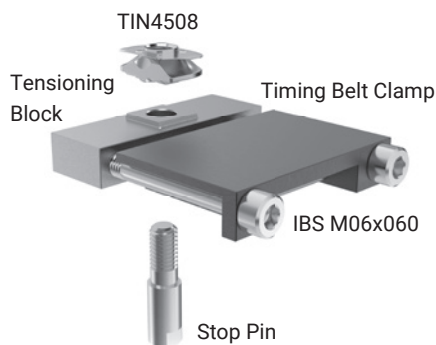


Order Code

Description	Order Code ¹	Weight/Meter
Timing Belt RPU-8M-30-PAZ, cut to length	LIL3008	0.155 kg

LIN3221

Timing Belt Clamp



Application

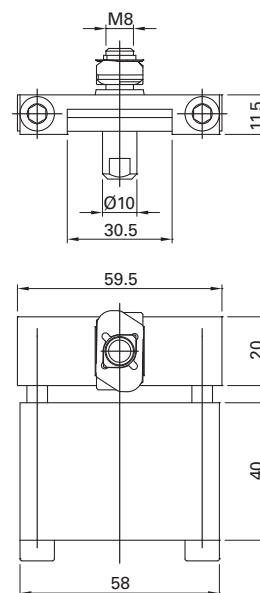
For attaching and tensioning the timing belt

Technical Data

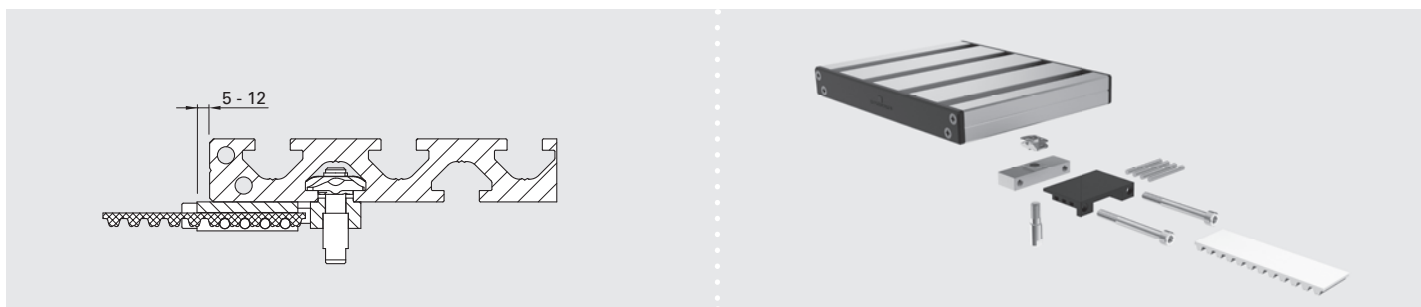
Material: black anodized aluminum, stain-
less steel, galvanized steel
Max. tensile load: 2000 N

Scope of Delivery

- 1 Tensioning Block
- 1 Timing Belt Clamp
- 1 Stop Pin
- 4 Timing Belt Pins
- 2 Screws IBS M06x060
- 1 Drop-in Nut TIN 4508



Application



Order Code

Description	Order Code	Weight
Timing Belt Clamp Kit	LIN3221	0.205 kg

LIN500_

Single Idler

**Application**

Roller device for Linear Motion Units, integrated felt wipers for cleaning and lubrication.

Technical Data

Material: clear or black anodized aluminum, black, tempered steel or galvanized steel, black PA6 composite, pressed felt

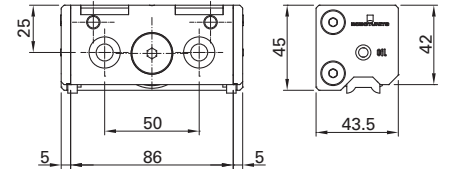
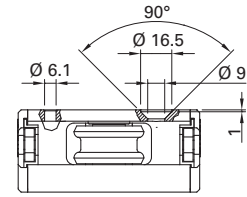
Bearing load capacity per single idler

Radial: max. 1500 N

Axial: max. 750 N

The carriage is adjusted using the eccentric idlers and an eccentric Eccentric Key LIN9990.

Assembly instructions: page 195



Order Code

Description	Scope of Delivery				Order Code	Weight
	LIN5000	LIN5002	Grooved pin	SKS M08x055		
Single Idler Kit, concentric	1		2	2	LIN5001	0.375 kg
Single Idler Kit, eccentric		1	2	2	LIN5003	0.375 kg

LIN501_

Double Idler

**Application**

Roller device for Linear Motion Units, integrated felt wipers for cleaning and lubrication.

Technical Data

Material: clear or black anodized aluminum, black, tempered steel or galvanized steel, black PA6 composite, pressed felt

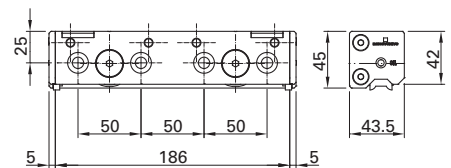
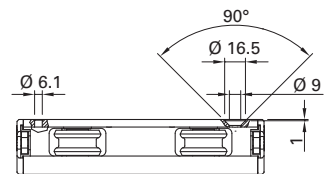
Bearing load capacity per double idler

Radial: max. 3000 N

Axial: max. 1500 N

The carriage is adjusted using the eccentric idlers and an eccentric Eccentric Key LIN9990.

Assembly instructions: page 195

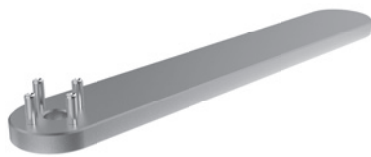


Order Code

Description	Scope of Delivery				Order Code	Weight
	LIN5010	LIN5012	Grooved pin	SKS M08x055		
Double Idler Kit, concentric	1		4	4	LIN5011	0.755 kg
Double Idler Kit, eccentric		1	4	4	LIN5013	0.755 kg

LIN9990

Eccentric Key

**Application**

For adjusting and tightening the eccentric bolt of the Idlers

Technical Data

Material: galvanized steel

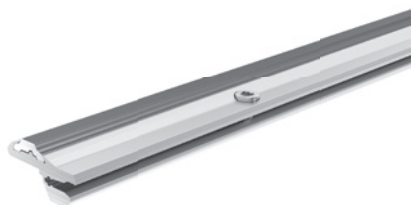


Order Code

Description	Order Code	Weight
Eccentric Key	LIN9990	0.177 kg

LIL5000

Guiderail

**Application**

Guide rollers can be added later to any 50 mm series extrusions

Technical Data

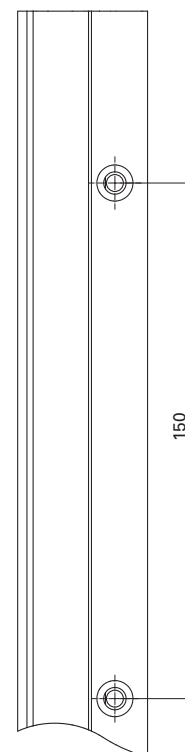
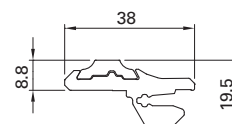
Material: tempered, brushed steel
HRC 58 +3, clear anodized aluminum

Scope of Delivery

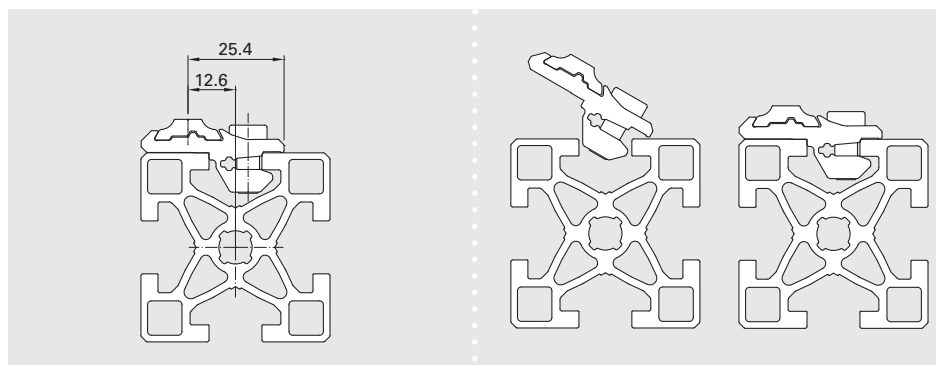
Guiderail, Rolled Steel
and Aluminum
screw IBS M06x012 NIKO

Tightening torque

IBS M06x012NIKO = 12 Nm



Assembly



Order Code

Description	Order Code ¹	Weight/Meter
Guiderail, cut to length	LIL5000SNN	1.105 kg
Guiderail, stock length 6050 mm	LIL5000NNN	1.105 kg

1) Please complete the order by adding the length parameters for cut to length orders.

Drawing dimensions in mm

LIN1501 / LIN2001

Carriage Plate

**Application**

- Carriage Plate for mounting components
- Assembled with Double Idlers

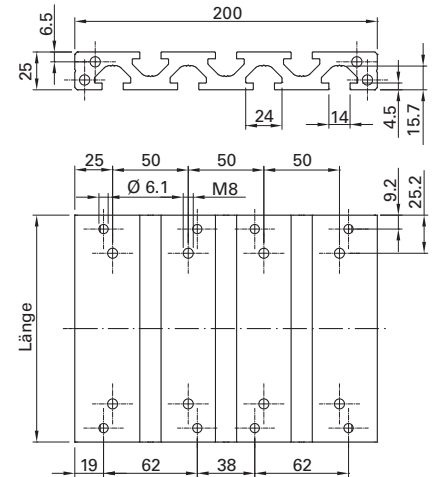
Technical Data

Material: clear anodized aluminum, PA6 black

Scope of Delivery

- 1 Carriage Plate
- 2 End Caps CAP2521

Carriage plate 50 (length 150) = LIL 5010
 Carriage plate 100 (length 200) = LIL 1010
 Assembly instructions: page 195



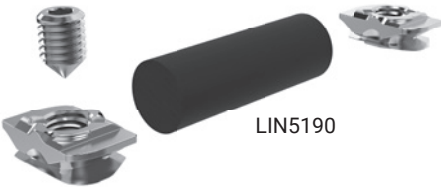
Order Code

Description	Order Code	Weight
Carriage Plate 50 Kit	LIN1501	1.150 kg
Carriage Plate 100 Kit	LIN2001	1.530 kg

LIN5191

Limit Stop

GST M08x012 SPI



TIN4508

LIN5190

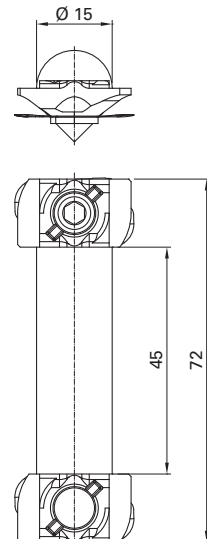
Application

Mechanical end stop, prevents pulley damage

Technical Data/Scope of Delivery

Material: galvanized steel, rubber

Used in combination with LIN3221 timing belt clamp.



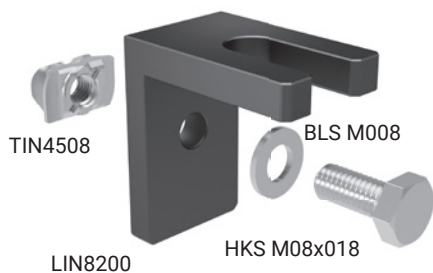
Order Code

Description	Scope of Delivery			Order Code	Weight
	LIN5190	TIN4508	GST M08x012 SPI		
Limit Stop Kit	1	2	1	LIN5191	0.036 kg

Drawing dimensions in mm

LIN8201

Proximity Switch Bracket

**Application**

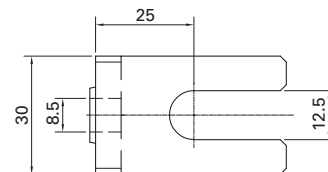
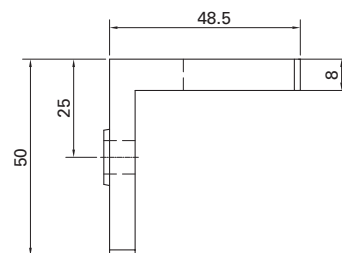
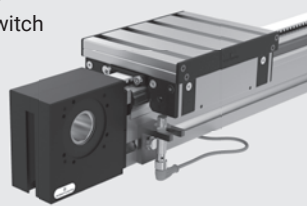
Used for mounting proximity switch; the idler is the switching surface.

Technical Data

Material: black anodized aluminum, galvanized steel

Application

Bracket and proximity switch

**Order Code**

Description	Scope of Delivery				Order Code	Weight
	LIN8200	TIN4508	HKS M08x018	BLS M008		
Proximity Switch Bracket Kit	1	1	1	1	LIN8201	0.175 kg

LIN8310

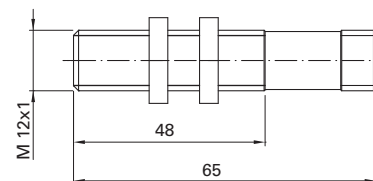
Proximity Switch

**Application**

Inductive proximity switch for monitoring the travel limit mounted with Proximity Switch Bracket LIN8201

Technical Data

Switching distance: 4 mm, 24V DC, PNP N/O contact, outer thread M12x1
Material: galvanized steel

**Order Code**

Description	Order Code	Weight

LIN8312

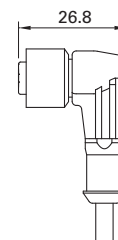
Angle Plug With Cable

**Application**

Used with Proximity Switch LIN8310 to monitor travel limit

Technical Data

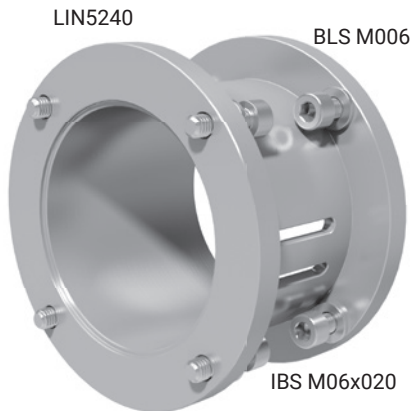
Cable length: 5 m
Head A connection type: socket, M12 4-pin, angled with LED
Head B connection type: loose cable end

**Order Code**

Description	Order Code	Weight

LIN5241

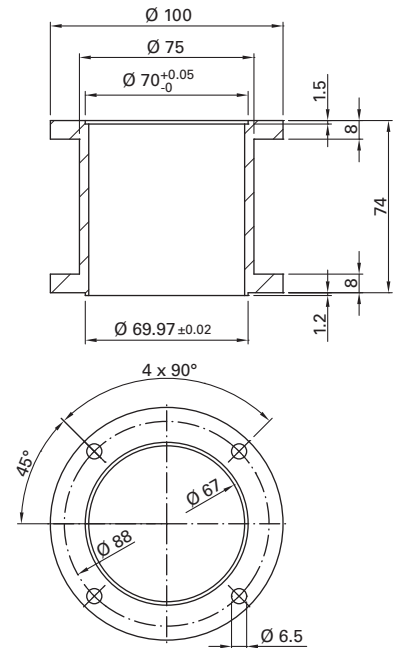
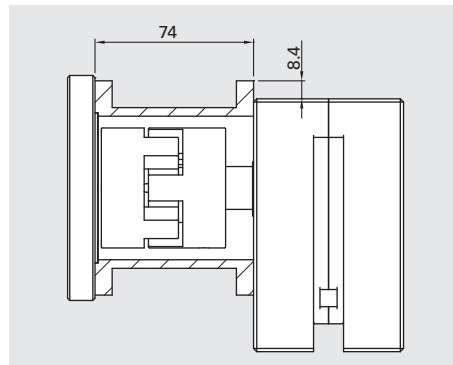
Motor Flange

**Application**

To attach motor to Timing Belt Pulley

Technical Data

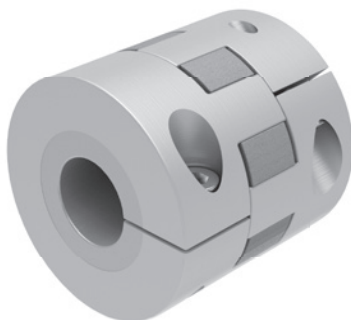
Material: clear anodized aluminum, galvanized steel

Assembly**Order Code**

Description	Scope of Delivery			Order Code	Weight
	LIN5240	IBS M06x20	BLS M006		
Motor Flange Kit	1	8	8	LIN5241	0.390 kg

LIN523_

Coupling

**Application**

To connect motor to drive shaft

Technical Data

Material: cast aluminum

Transferable torque: 60 Nm

Tightening torque: 15 Nm

Scope of Delivery

LIN5236:

2 Coupling Halves with $\varnothing 20$

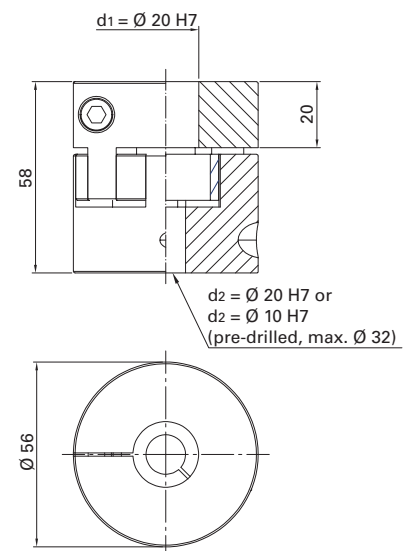
1 Coupling Star

LIN5237:

1 Coupling Half, $\varnothing 10$ pre-drilled

1 Coupling Half with $\varnothing 20$

1 Coupling Star

**Order Code**

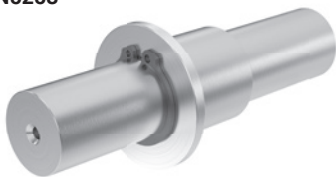
Description	Order Code	Weight
Coupling d1 = 20 mm, d2 = 10 mm, pre-drilled	LIN5237	0.360 kg

Drawing dimensions in mm

LIN52__

Driveshaft/Encoder Shaft

LIN5253



Application

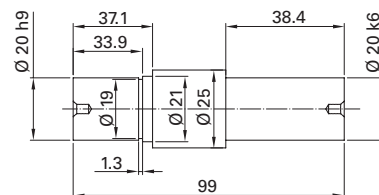
To connect Coupling to Timing Belt Pulley

Technical Data

Material: stainless steel

Other diameters and lengths possible upon request.

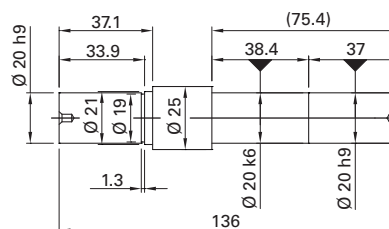
LIN5253



LIN5255



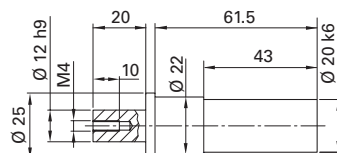
LIN5255



LIN5248

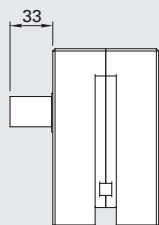


LIN5248

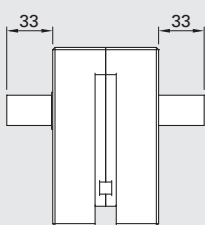


Dimensions

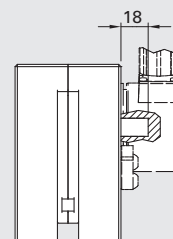
LIN5253



LIN5255



LIN5248



Order Code

Description	Scope of Delivery					Order Code	Weight
	LIN5252	LIN5254	LIN5248	BLS M020	SIR 020x1.2		
Single Driveshaft Kit	1	-	-	1	1	LIN5253	0.300 kg
Double Driveshaft Kit	-	1	-	1	1	LIN5255	0.400 kg
Encoder Shaft	-	-	1	-	-	LIN5248	0.190 kg

Drawing dimensions in mm

LIN5246

Expanding Coupling

**Application**

To connect motor or drive shaft
(diameter = 20 mm) with Timing Belt
Pulley

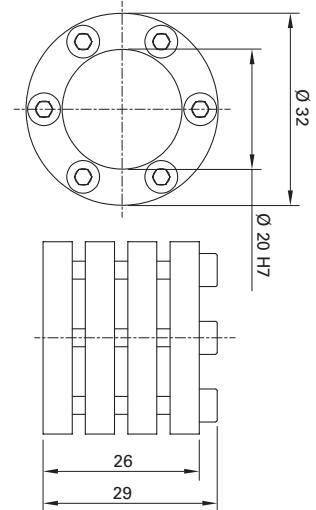
Technical Data

Material: tempered steel

Transmittable torque: 60 Nm

Tightening torque per screw: 2 Nm

Shaft tolerance: k6



Order Code

Description	Order Code	Weight
Expanding Coupling	LIN5246	0.070 kg

LIN750_

Encoder

**Application**

For fitting to C8T timing belt pulley or LIN
timing belt pulley

Technical Data

Material: aluminum housing

Speed: max 4000 rpm

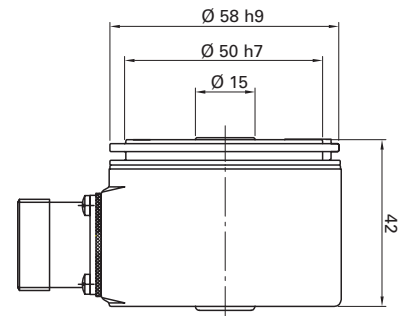
Increments: 2000 increments/rev.

Power requirement: 60 mA (10 VDC)
30 mA (24 VDC)

Supply voltage: 10 to 30 VDC

IP rating: IP64

Output: push/pull



Assembly

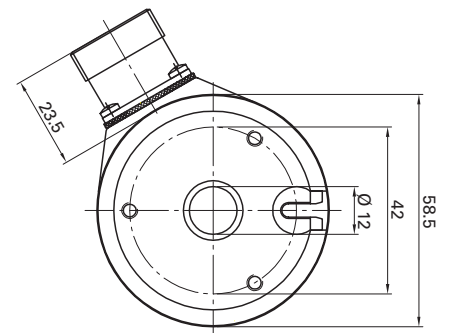
**Scope of Delivery**

Encoder Kit LIN7501

- 1 Encoder LIN7500
including round connector
- 1 Encoder Shaft LIN5248
- 1 Expanding Coupling LIN5246
- 1 Torque Arm
- 2 Screws IBS M06x016 NIKO
- 1 Clamping Pin SPS 4x12

Encoder LIN7500

- 1 Encoder LIN7500
including round connector



Order Code

Description	Order Code	Weight
Encoder Kit for Linear Motion Unit	LIN7501	0.660 kg
Encoder including round connector	LIN7500	0.335 kg

Drawing dimensions in mm

COL52_0

Connection Shaft With Couplings



Application

Shaft for connecting 2 belt conveyors or two linear motion units.

Technical Data

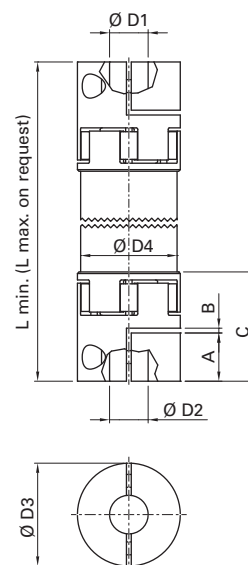
Material: aluminum, elastomer star

COL5220 / COL5230

M nom. 12 Nm
 M max. 25 Nm
 Tightening torque: 4 Nm (COL5220)
 Tightening torque: 13 Nm (COL5230)

COL5240 / COL5250

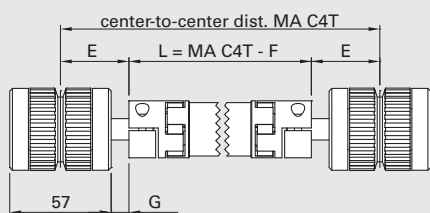
M nom. 60 Nm
 M max. 120 Nm
 Tightening torque: 15 Nm (COL5240)
 Tightening torque: 32 Nm (COL5250)



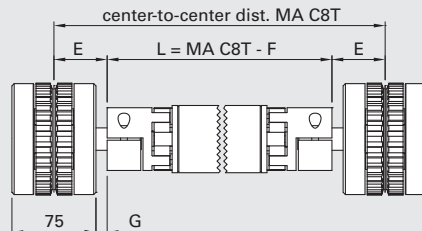
Dimensions

	D1	D2	D3	D4	A	B	C	L min.	E	F	G
COL5220 (C4T)	12	12	32	30	15	1.5	34	99	38.5	77	10
COL5230 (C4T - US Version)	12	12	46	35	17.5	0.8	49.8	142	38.5	77	10
COL5240 (C8T)	20	20	56	60	30	2	63	177	47.5	95	10
COL5250 (C8T - US Version)	20	20	73	60	23	1	63.5	196	54.5	109	17
COL5240 (LIL)	20	20	56	60	30	2	63	177	38	76	3
COL5250 (LIL - US Version)	20	20	73	60	23	1	63.5	196	45	90	10

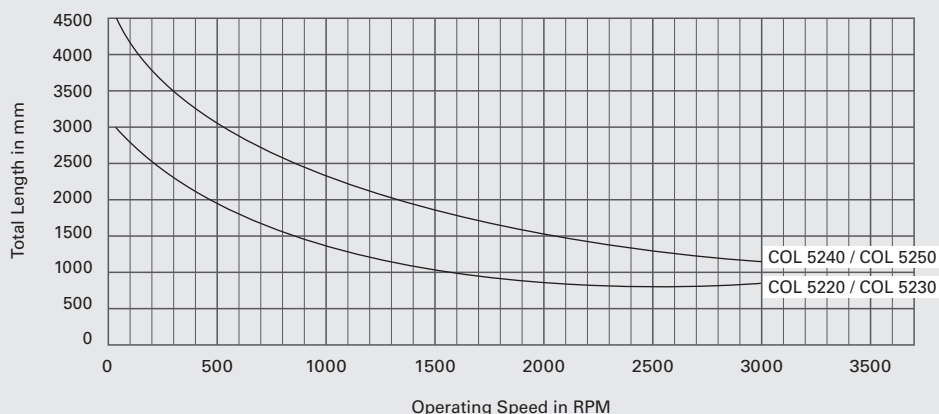
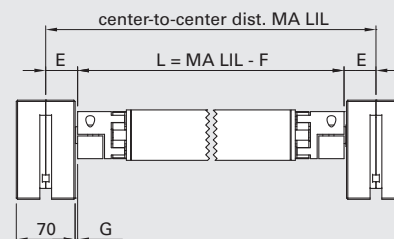
COL5220 / COL5230 (C4T)



COL5240 / COL5250 (C8T)



COL5240 / COL5250 (LIL)



Order Code

Description	Order Code ¹
Connection Shaft with Couplings VWZ-30/d = 12 mm	COL5220SNN
Connection Shaft With Couplings EDC25 / d = 12 mm	COL5230SNN (US Version)
Connection Shaft With Couplings VWZ-60 / d = 20 mm	COL5240SNN
Connection Shaft With Couplings EDC80 / d = 20 mm	COL5250SNN (US Version)

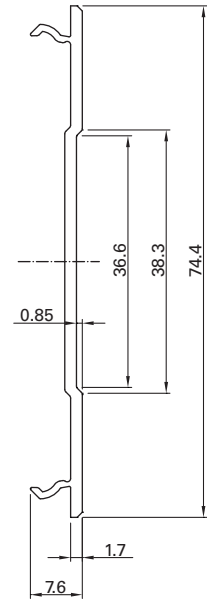
1) Please complete the order by adding the length parameters for cut to length orders. Drawing dimensions in mm

**Application**

Cable duct cover for the extrusion
PIL 4012

Technical Data

Material: ABS, gray RAL 7004
Stock length: 3000 mm
Temperature range: -30° to 95°



Order Code

Description	Order Code ¹	Weight/Meter
Cover Extrusion for PIL4012, cut to length	CAL4012SNN	0.145 kg
Cover Extrusion for PIL4012, stock length 3050 mm	CAL4012NNN	0.145 kg

1) Please complete the order by adding the length parameters for cut to length orders.
Drawing dimensions in mm

CAP_____

End Cap



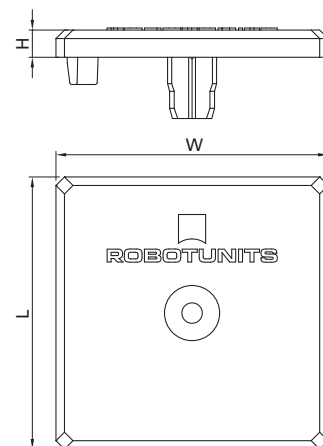
Application

Used for covering the ends of extrusions

- Self-centering
- Retained through expanding anchor
- Reusable

Technical Data

Material: black ABS V0 composite

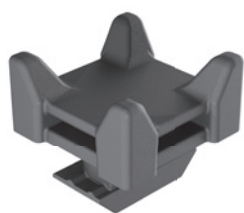


Order Code

Description	Dimension			Scope of Delivery		Order Code	Weight
	L	W	H	CAP	BKS 4x13		
End Cap 16x40 Kit	16	40	5	1	2	CAP1641	0.002 kg
End Cap 40x40 Kit	40	40	4	1	1	CAP4041	0.005 kg
End Cap 40x80 Kit	40	80	4	1	2	CAP4081	0.009 kg
End Cap 40x120 Kit	40	120	4	1	3	CAP4013	0.019 kg
End Cap 80x80 Kit (2 x CAP 4081)	80	80	4	2	4	CAP8081	0.018 kg
End Cap 50x50 Kit	50	50	5	1	1	CAP5051	0.010 kg
End Cap 50x100 Kit	50	100	5	1	2	CAP5011	0.019 kg
End Cap 50x200 Kit (2 x CAP 5011)	50	200	5	2	4	CAP5021	0.038 kg
End Cap 100x100 Kit (2 x CAP 5011)	100	100	5	2	4	CAP1011	0.038 kg
End Cap 100x200 Kit (4 x CAP 5011)	100	200	5	4	8	CAP1021	0.076 kg
End Cap 25x200 Kit	25	200	5	1	4	CAP2521	0.022 kg

PIN4530

Cable Block

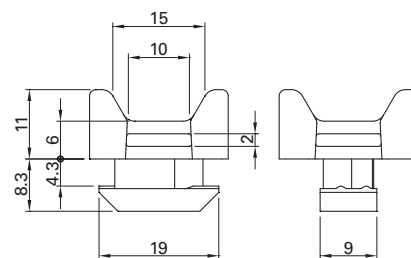


Application

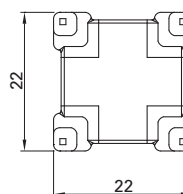
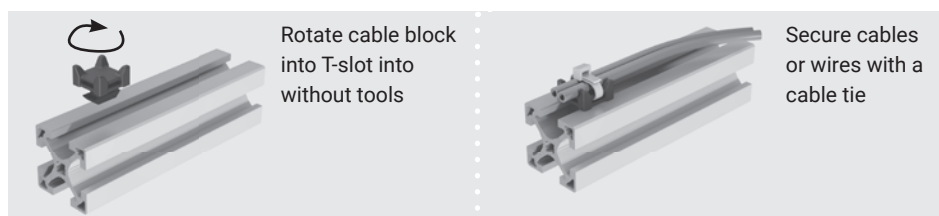
To secure cables, hoses, and lines to extrusions using cable ties in x/y direction from the T-slot

Technical Data

Material: PA composite fiberglass-reinforced, black



Assembly



Order Code

Description	Order Code	Weight
Cable Block	PIN4530	0.005 kg
Cable Block, pack of 50 pcs.	PIN4530PAC	0.240 kg

PIN4590

Plastic Hook

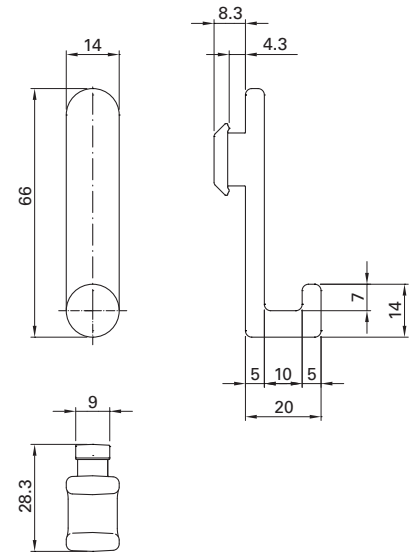
**Application**

For hanging items and objects along the T-slot

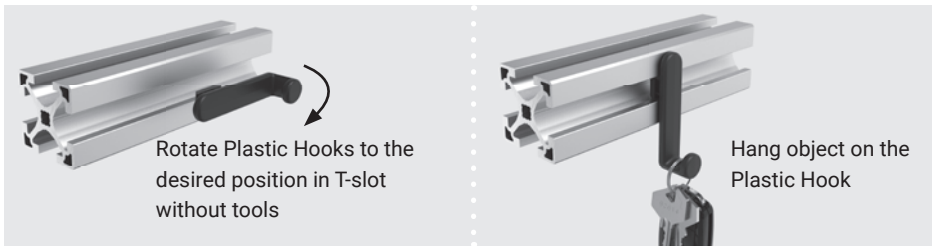
Technical Data

Material: PA composite
fiberglass-reinforced, black

Load capacity: max. 10 kg



Function



Order Code

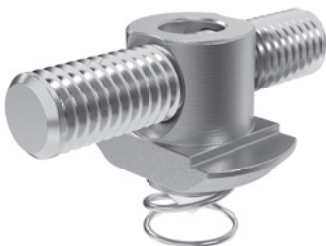
Description	Order Code	Weight
Plastic Hook	PIN4590	0.010 kg

TIN4501

Fine-Tuning And Fixing Element

Base Part with
GST M08x021 SPI

GST M08x040



Spring

Application

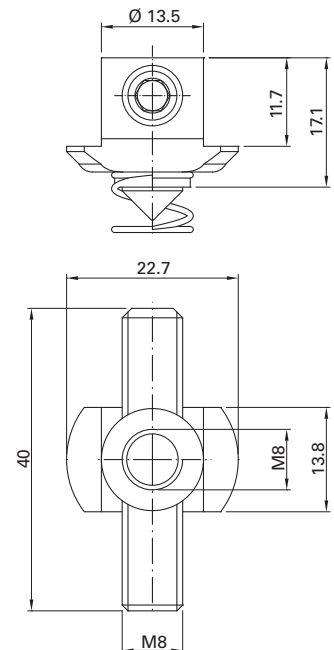
Used for securing and fine tuning component positions. Post insertion possible, can be used with 40 mm and 50 mm series extrusions, e.g.:

- Conveyor Belt Tracking
- Fine adjustment of cross bars
- Securing connections

Technical Data

Material: galvanized steel

TIN4501 can also be used for electrical grounding.



Order Code

Description	Scope of Delivery				Order Code	Weight
	Base Part	Spring	GST M08x012 SPI	GST M08x040		
Fine-Tuning and Fixing Element	1	1	1	-	TIN4500	0.016 kg
Fine-Tuning and Fixing Element Kit	1	1	1	1	TIN4501	0.028 kg

LIN404_ / LIN505_

Linear Slider



Linear Slider 40



Linear Slider 40 with clamping lever

Application

Manual device for clamping / adjusting a slide on the extrusion

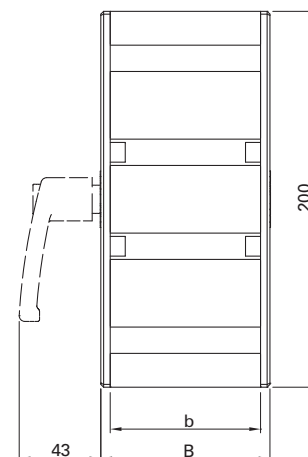
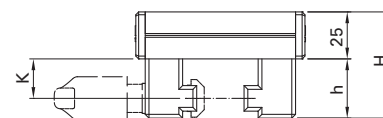
Technical Data

Material: clear anodized aluminum
POM-C black, ABS V0 black, galvanized steel

Scope of Delivery

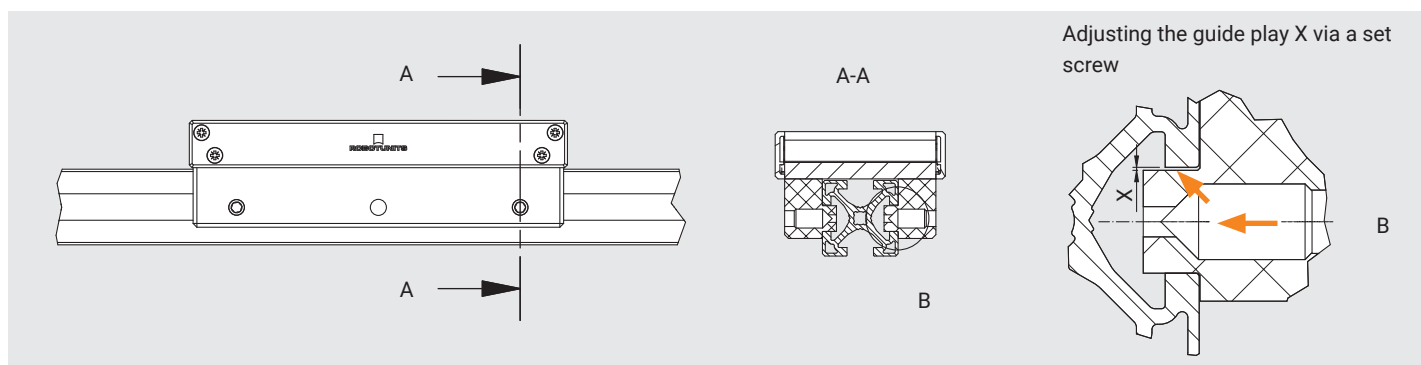
Completely pre-assembled, consisting of:

- 1 Extrusion 25 x 200 PIL 2520
- 2 Sliding guide blocks 40 or 50
- 2 End Caps CAP2521
- 4 Cylinder screws with hexagon socket IBSM08X035 or 040
- 4 Drop-in Nuts TIN4508
- 4 Set screws with socket head and tip GST-M10X020SPI
- 1 Clamping lever (for LIN4041/5051)
- 1 Washer BLS M008 (for LIN4041/5051)
- 1 T-Nut TIN6008 (for LIN4041/5051)



The Linear Slider is not suitable for cantilevered loads and is NOT a replacement for a Linear Motion Unit.

Assembly



Order Code

Description	b	B	h	H	K	Order Code	
						Order Code	Weight
Linear Slider 40	80	90	31.5	56.5	21	LIN4040	1.170 kg
Linear Slider 40 with Clamping Lever	80	90	31.5	56.5	21	LIN4041	1.245 kg
Linear Slider 50	90	100	36.5	61.5	26	LIN5050	1.245 kg
Linear Slider 50 with Clamping Lever	90	100	36.5	61.5	26	LIN5051	1.400 kg

Drawing dimensions in mm

**Application**

For covering T-slots and fastening

4 - 8 mm thick panels

- Dust protection
- Splash guard
- Cable routing
- Cover extrusion for LED lighting with CAL4508

Technical Data

Material: impact-resistant PVC with soft lip

Stock length: 2000 mm

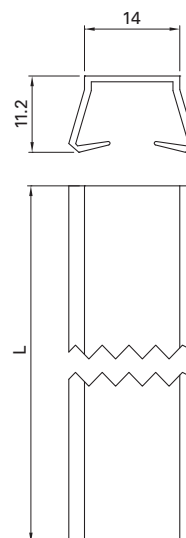
LED lighting with CAL4508*

Max. power of the LED: 20 W/m

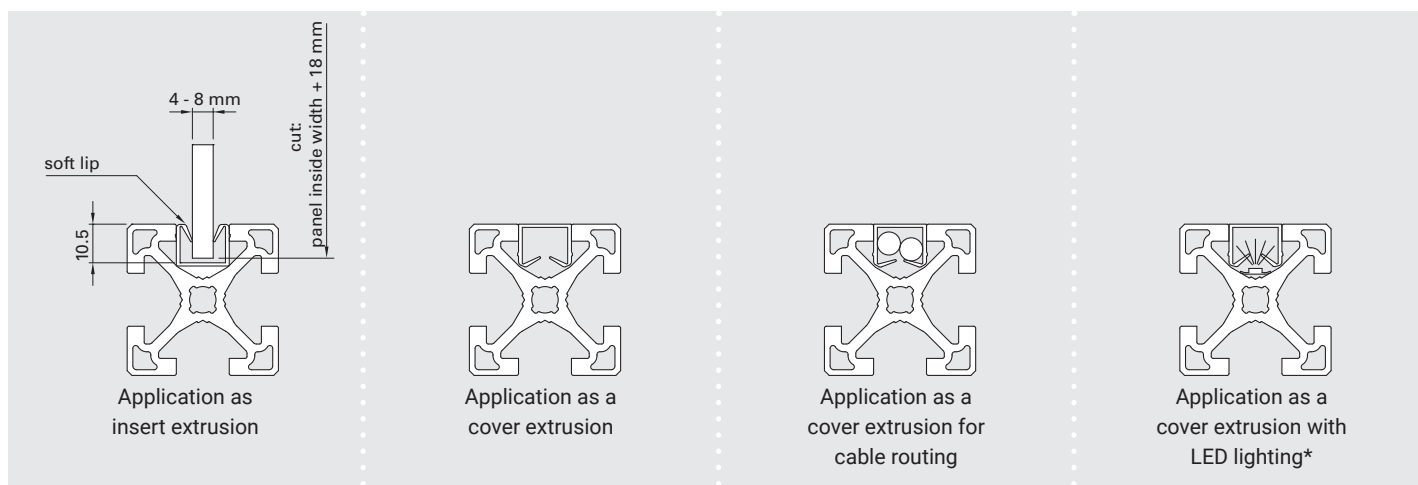
Light intensity 1 m below the extrusion with a luminous flux of 2000 lm/m: 850 Lux

yellow: RAL 1021

gray: RAL 7004



Application



Order Code

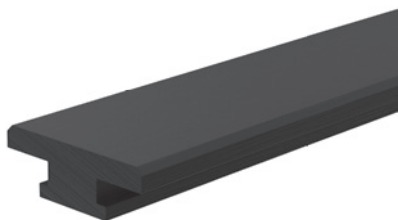
Description	Order Code ¹	Weight/Meter
Cover/Insert Extrusion, black, cut to length	CAL4500SNN	0.050 kg
Cover/Insert Extrusion, black, stock length 2000 mm	CAL4500NNN	0.050 kg
Cover/Insert Extrusion, black, 160 pcs., stock length 2000 mm	CAL4500PAC	0.050 kg
Cover/Insert Extrusion, yellow, cut to length	CAL4504SNN	0.050 kg
Cover/Insert Extrusion, yellow, stock length 2000 mm	CAL4504NNN	0.050 kg
Cover/Insert Extrusion, yellow, 160 pcs., stock length 2000 mm	CAL4504PAC	0.050 kg
Cover/Insert Extrusion, gray, cut to length	CAL4510SNN	0.050 kg
Cover/Insert Extrusion, gray, stock length 2000 mm	CAL4510NNN	0.050 kg
Cover/Insert Extrusion, gray, 160 pcs., stock length 2000 mm	CAL4510PAC	0.050 kg

1) Please complete the order by adding the length parameters for cut to length orders.

Drawing dimensions in mm

CAL4540

T-Slot Sliding Rail

**Application**

Simple linear guidance in the T-slot

Technical Data

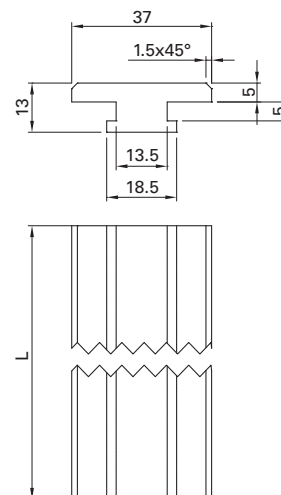
Material: PAS-PE3 composite, black

Stock length: 2000 mm

Temperature range:

-10° to 70° continuous,

90° to 100° short-term



Order Code

Description	Order Code ¹	Weight/Meter
T-Slot Sliding Rail, cut to length	CAL4540SNN	0.222 kg
T-Slot Sliding Rail, stock length 2000 mm	CAL4540NNN	0.222 kg

CAL4545

Aluminum Cover Extrusion

**Application**

Used for covering T-slots:

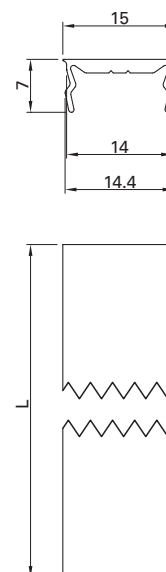
- Dust protection
- Splash guard
- Cable routing

Technical Data

Material: anodized aluminum

stock length: 2050 mm

(usable length 2000 mm)



Order Code

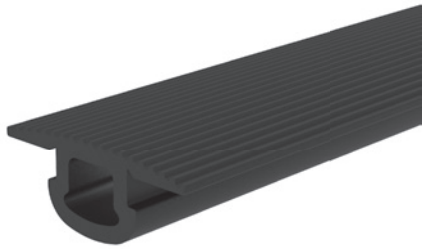
Description	Order Code ¹	Weight/Meter
Aluminum Cover Extrusion, cut to length	CAL4545SNN	0.043 kg
Aluminum Cover Extrusion, stock length 2050 mm	CAL4545NNN	0.043 kg

1) Please complete the order by adding the length parameters for cut to length orders.

Drawing dimensions in mm

CAL4560

Anti-Slip Profile

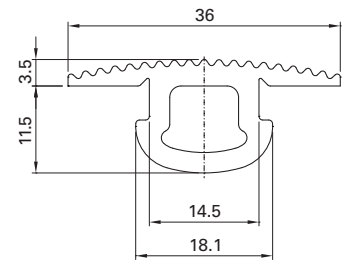


Application

Anti-slip protection for steps
(ladders, stairs, etc.)

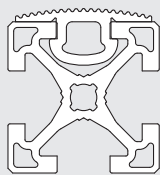
Technical Data

Material: NBR 80 Shore A
Temperature range:
-30° to 100° continuous,
-50° to 120° short-term



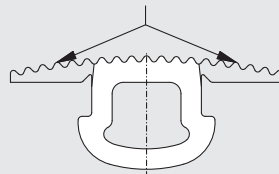
Application

Function of Anti-Slip Profile



Rework

Cut away this part of the profile



Modification for use as door gasket,
bumper, etc.

Useful for many purposes!

The non-slip extrusion can also be used as
a sealing extrusion or a buffer extrusion by
cutting the side rubber lips.

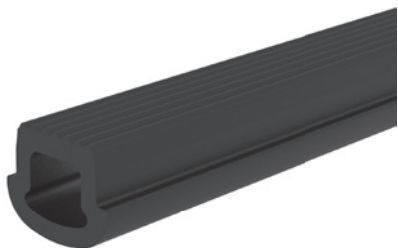
Order Code

Description	Order Code ¹	Weight/Meter
Anti-Slip Profile, cut to length	CAL4560SNN	0.213 kg
Anti-Slip Profile, roll, length 20 meters	CAL4560PAC	0.213 kg

1) Please complete the order by adding the length parameters for cut to length orders.
Drawing dimensions in mm

CAL4565

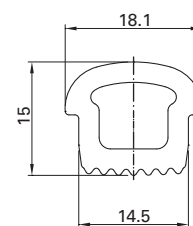
Gasket

**Application**

- Door gasket
- Stops/buffers (drawers, doors)
- Travel stops

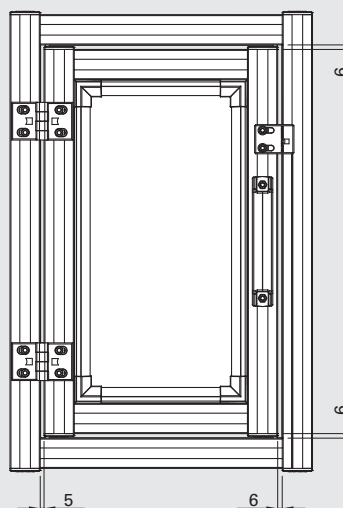
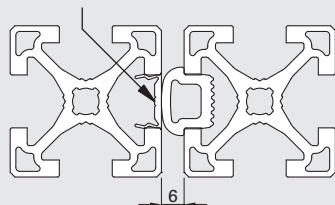
Technical Data

Material: NBR 80 Shore A
 Temperature range:
 -30° to 100° continuous,
 -50° to 120° short-term



Function

Aluminum Cover Extrusion CAL 4545



Order Code

Description
 Gasket, cut to length

Order Code¹

CAL4565SNN

Weight/Meter
 0.160 kg



1) Please complete the order by adding the length parameters for cut to length orders.
 Drawing dimensions in mm

BAP205_

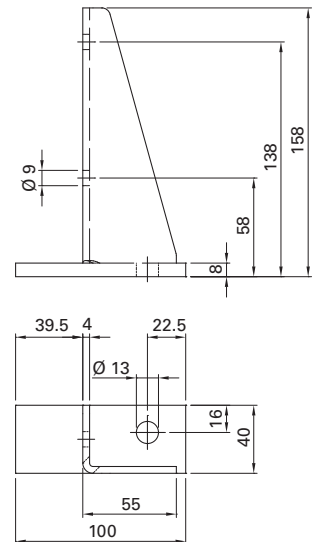
Safety Fence Floor Bracket

**Application**

Floor mount of stands and safety fence panels built with 40 mm series extrusions

Technical Data

Material: steel, gray powder coating
Height adjustment - 20 / + 5 mm



Assembly



Order Code

Description	Scope of Delivery					Order Code	Weight
	BAP2050	TIN4508	IBS M08x016NIKO	HKS M08x040	BLS M008		
Safety Fence Floor Bracket	1	-	-	-	-	BAP2050	0.568 kg
Safety Fence Floor Bracket Kit	1	2	2	1	2	BAP2051	0.638 kg

BAP2900

Anchor Bolt

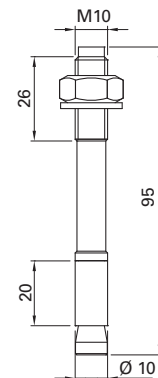
**Application**

For anchoring structures to the floor

Technical Data

Material: galvanized steel

Permitted tensile load: 6.7 kN
(concrete hardness class C20/25)
Minimum anchor depth: 60 mm

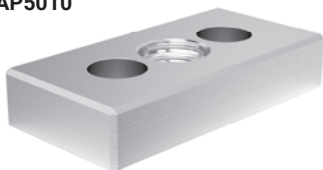


Order Code

Description	Order Code	Weight
Anchor Bolt	BAP2900	0.055 kg

BAP_0__

Base And Transport Plate

BAP4080
BAP5010

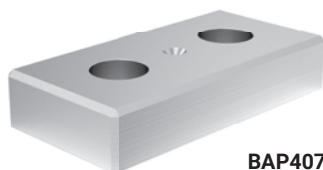
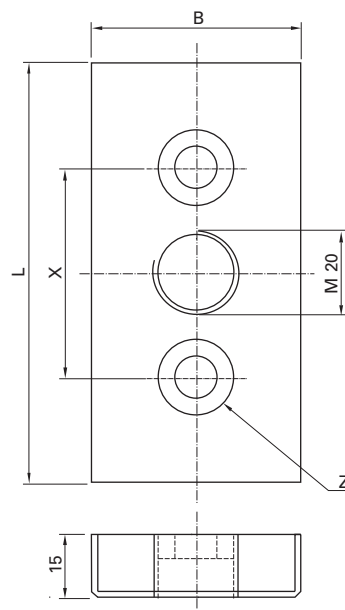
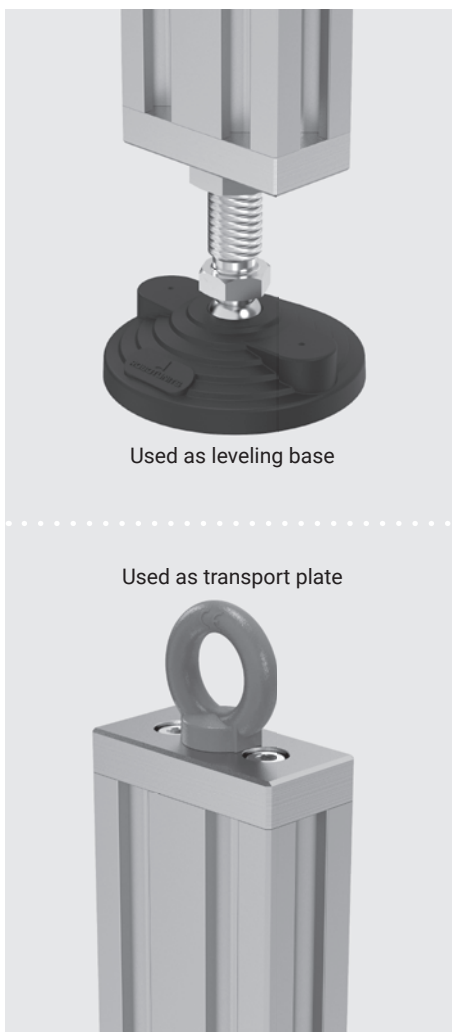
Application

Used for attaching leveling bases or other transportation devices.

Technical Data

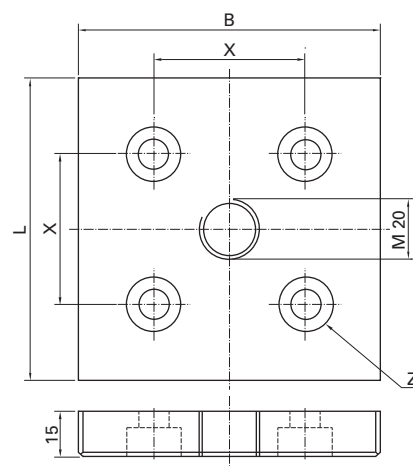
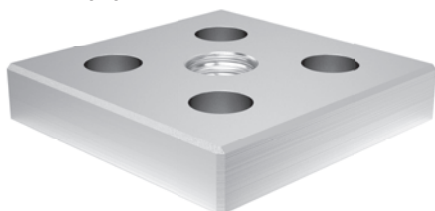
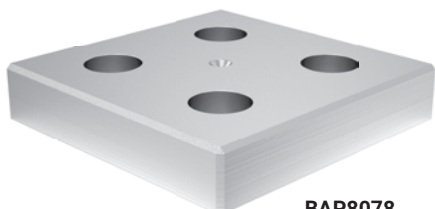
Material: galvanized steel

Application

BAP4078
BAP5008

Used as leveling base

Used as transport plate

BAP8080
BAP1010BAP8078
BAP1008

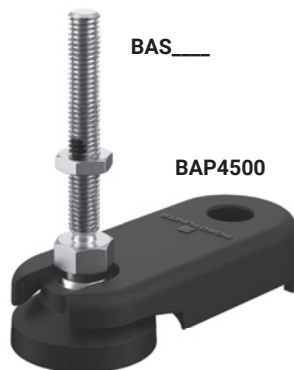
Order Code

Description	L	W	X	Z ¹	Order Code	
					Order Code	Weight
Base and Transport Plate 40x80, without thread	80	40	40	IBS M08x020	BAP4078	0.343 kg
Base and Transport Plate 40x80, M20 thread	80	40	40	IBS M08x020	BAP4080	0.312 kg
Base and Transport Plate 80x80, without thread	80	80	40	IBS M08x020	BAP8078	0.682 kg
Base and Transport Plate 80x80, M20 thread	80	80	40	IBS M08x020	BAP8080	0.655 kg
Base and Transport Plate 50x100, without thread	100	50	50	IBS M10x030	BAP5008	0.533 kg
Base and Transport Plate 50x100, M20 thread	100	50	50	IBS M10x030	BAP5010	0.503 kg
Base and Transport Plate 100x100, without thread	100	100	50	IBS M10x030	BAP1008	1.049 kg
Base and Transport Plate 100x100, M20 thread	100	100	50	IBS M10x030	BAP1010	1.018 kg

1) Not included in the scope of delivery
Drawing dimensions in mm

BAS___

Leveling Base M8/M10

**Application**

Pivoting, height adjustable floor bracket for stands, frames and enclosures

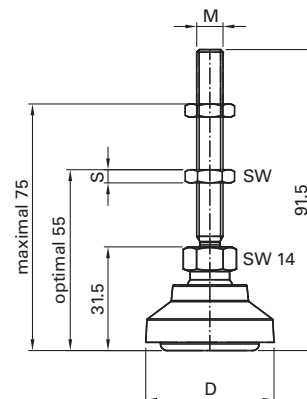
- Continuous height adjustment (+/- 20 mm)
- Vibration damping
- Ball joint

Technical Data

Material: galvanized steel;
PA 6 composite; rubbe

BAS4008: max. load 350 kg

BAS5010: max. load 450 kg



Order Code

Description	M	D	S	SW	Scope of Delivery			Order Code	Weight
					BAS4008	BAS5010	BAP4500		
Leveling Base M8	8	39	4	13	1	-	-	BAS4008	0.062 kg
Leveling Base M8 with Mounting Plate	8	39	4	13	1	-	1	BAS4108	0.092 kg
Leveling Base M10	10	49	6	17	-	1	-	BAS5010	0.082 kg
Leveling Base M10 with Mounting Plate	10	49	6	17	-	1	1	BAS5011	0.112 kg

BAS1___

Leveling Base M20

BAS1020

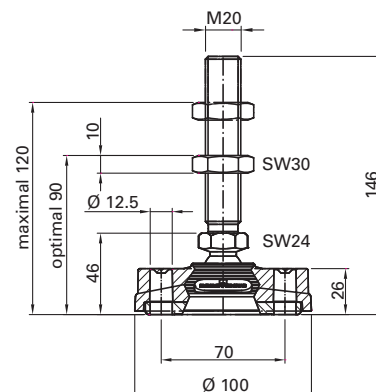
**Application**

Pivoting, height adjustable floor bracket for stands, frames and enclosures

- Continuous height adjustment (+/- 30mm)
- Vibration damping
- Ball joint

Technical Data

BAS1020
Material: galvanized steel;
PA 6 composite; rubbe
• Pivot range +/- 20°

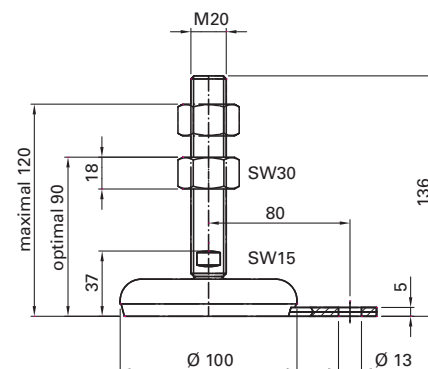


BAS1120



BAS1120
Material: galvanized steel; rubbe
• Pivot range +/- 6°

max. load 950 kg



Order Code

Description	Order Code	Weight
Leveling Base M20	BAS1020	0.479 kg
Leveling Base M20 with Mounting Plate	BAS1120	0.715 kg

Drawing dimensions in mm

BAP4500

Floor Mounting Plate



Application

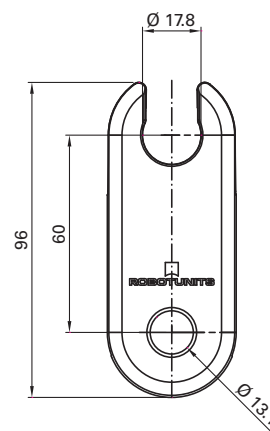
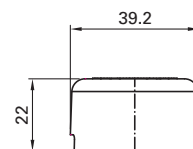
Fixing Leveling Base to the floor

Technical Data

Material: PA 6

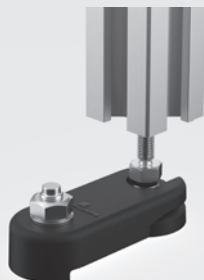
Tightening torque

Anchor Bolt BAP 2900 = 12 Nm
(not included in the scope of delivery)



Application

BAP4108



BAP5011



Order Code

Description	Order Code	Weight
Floor Mounting Plate	BAP4500	0.030 kg

Drawing dimensions in mm



CAS0080

**Application**

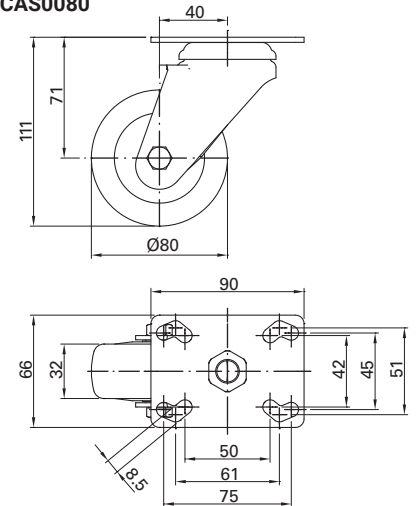
Transport carts of all types

Technical Data

Material: galvanized steel, rubber

Safe working load: 100 kg

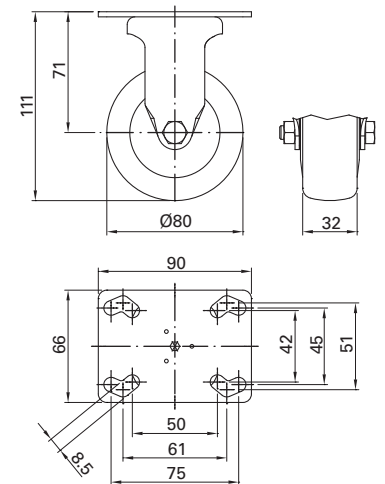
CAS0080



CAS0082



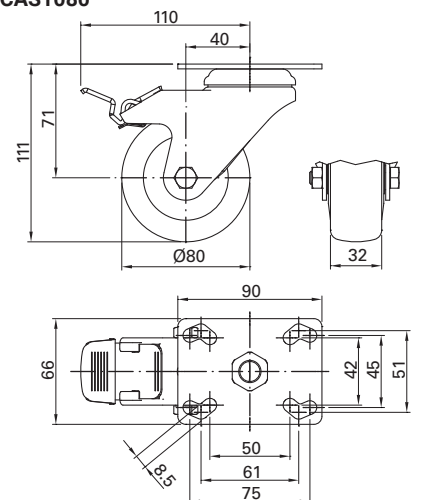
CAS0082



CAS1080



CAS1080



Order Code

Description	Order Code	Weight
Swivel Castor with Plate, 80 mm	CAS0080	0.604 kg
Rigid Castor with Plate, 80 mm	CAS0082	0.462 kg
Swivel Castor with Plate and Brake, 80 mm	CAS1080	0.716 kg

CAS2080

**Application**

Transport carts of all types

Technical Data

Material: galvanized steel, rubber

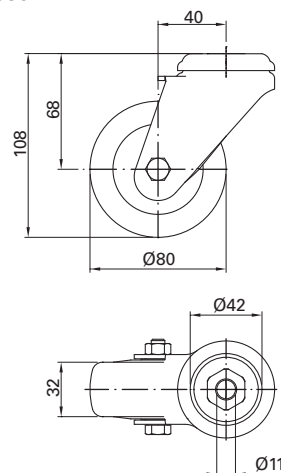
Fastening material for end-to-end assembly on the extrusion (not included in the scope of delivery);

PIL 4040: BLSM008S04, IBSM08x035

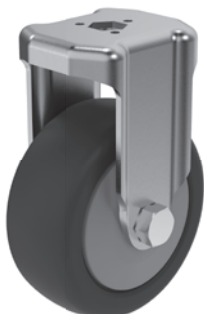
PIL 5050: BLSM010, IBSM10x040

Safe working load: 100 kg

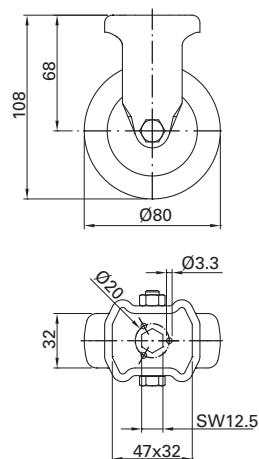
CAS2080



CAS2082



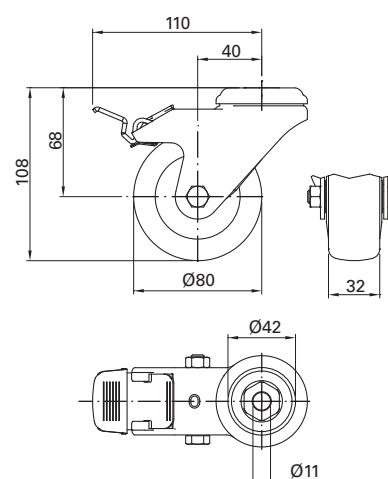
CAS2082



CAS3080



CAS3080



Order Code

Description	Order Code	Weight
Swivel Castor with Bolt Hole Fitting, 80 mm	CAS2080	0.489 kg
Rigid Castor with Bolt Hole Fitting, 80 mm	CAS2082	0.317 kg
Swivel Castor with Bolt Hole Fitting and Brake, 80 mm	CAS3080	0.597 kg

1006__

Allen Key For Hex Socket Head Cap Screws



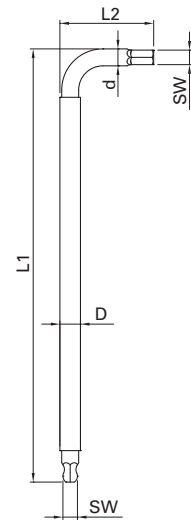
Application

Allen Key with ball head for manual tightening the hex socket head cap screws for 40 and 50 mm series fasteners.

A plastic sleeve prevents damage to the edges of the T-slot.

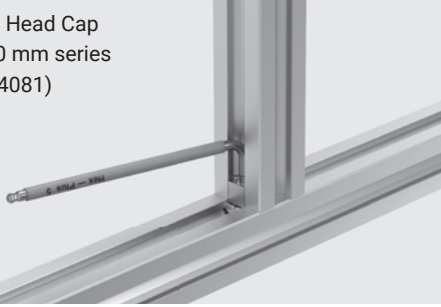
Technical Data

Material: high-quality, plastic-coated tool steel



Application

Allen Key For Hex Socket Head Cap Screws, size 5 mm, for 40 mm series fasteners (FAS4041, FAS4081)



Allen Key For Hex Socket Head Cap Screws, size 6mm, for 50 mm series fasteners and corner brackets (e.g. FAS5051, GUS4501, etc.)



Order Code

Description	SW	d	D	L1	L2	Order Code	Weight
Allen Key for Hex Socket Head Cap Screws, 5 mm	5	6	7.5	160	35	100659	0.040 kg
Allen Key for Hex Socket Head Cap Screws, 6 mm	6	7	8.5	180	40	100660	0.060 kg

Drawing dimensions in mm

10069_

1/4" Hex Bit With Ball End



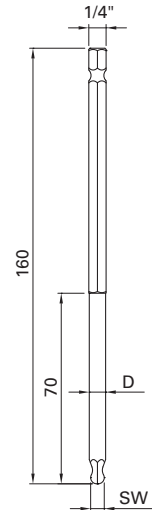
Application

1/4" Hex Bit with ball head for impact driver to tighten the hex socket head cap screws for 40 and 50 mm series fasteners.

Cylindrical end prevents damage to the edges of the T-slot.

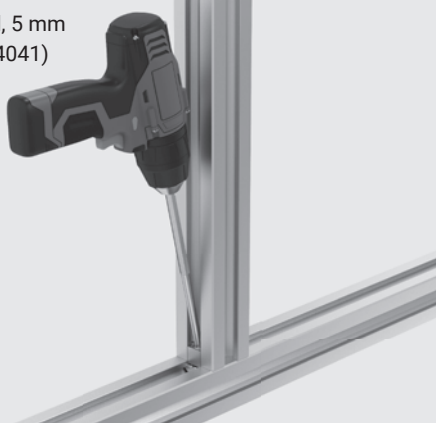
Technical Data

Material: high-quality, tool steel

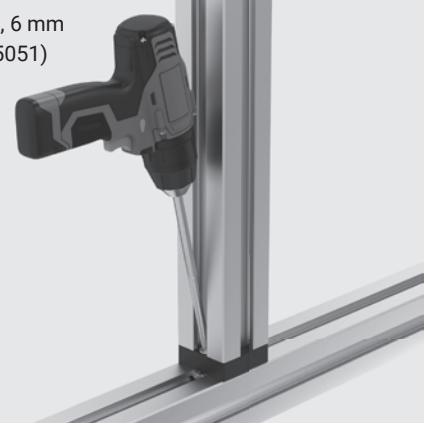


Application

1/4" Hex Bit With Ball End, 5 mm for fasteners 40x40 (FAS4041)



1/4" Hex Bit With Ball End, 6 mm for fasteners 50x50 (FAS5051)



Order Code

Description	SW	D	Order Code		Weight
			100691	100692	
1/4" Hex Bit with Ball End, 5x160	5	6	100691		0.040 kg
1/4" Hex Bit with Ball End, 6x160	6	6.7	100692		0.060 kg

Drawing dimensions in mm

