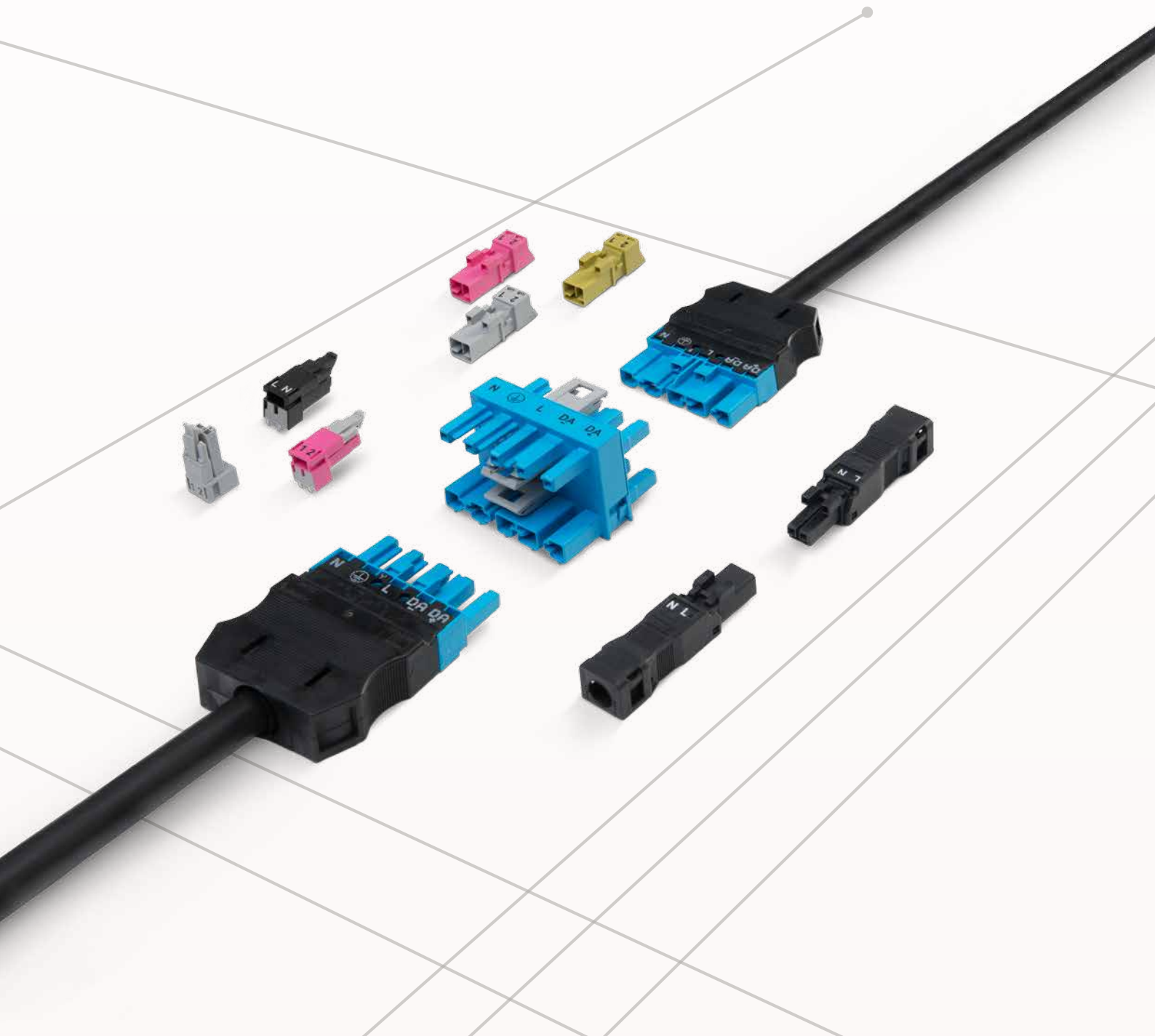


WAGO Pluggable Connection System WINSTA®

Full Line Catalog, Volume 5 – Edition 2019/2020

5



WAGO Full Line Catalogs



Volume 1, WAGO Rail-Mount Terminal Block Systems

- Rail-Mount Terminal Blocks
- Rail-Mount Terminal Blocks with Pluggable Connector (X-COM®-SYSTEM)
- Patchboard Systems
- Terminal Strips
- PUSH WIRE® Connectors for Junction Boxes
- Lighting Connectors
- Shield Connecting System



Volume 2, WAGO PCB Terminal Blocks and WAGO Connectors

- PCB Terminal Blocks
- THR/SMD PCB Terminal Blocks
- *MULTI CONNECTION SYSTEM (MCS)*
- Pluggable PCB Terminal Blocks
- Feedthrough Terminal Blocks
- Specialty Connectors
- Empty Housings



Volume 3, Automation Technology

- Solutions & Software
- Operating & Monitoring
- Controllers
- Modular I/O-SYSTEM, IP20
- Industrial Switches
- Radio Technology
- IP67 Sensor/Actuator Boxes, IP67 Cables and Connectors



Volume 4, WAGO Interface Electronic

- Relay and Optocoupler Modules
- Signal Conditioners and Isolation Amplifiers
- Current and Energy Measurement Technology
- Power Supplies
- Interface Modules and System Wiring
- Overvoltage Protection
- Empty Housings



Volume 5, WAGO Pluggable Connection System WINSTA®

- Pluggable Connectors
- Snap-In Device Connectors
- Pluggable PCB Connectors
- Distribution Connectors
- Cable Assemblies
- Flat Cable Systems
- Distribution Boxes



Volume 6, WAGO Marking

- Printer
- Software
- Terminal Block Marking
- Cable and Conductor Marking
- Device Marking
- Marker Carriers

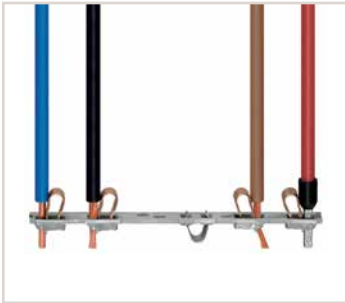
Volume 5, WAGO Pluggable Connection System WINSTA®

			Page
	WAGO Pluggable Connection System WINSTA® MINI 890/891 Series; 2- to 5-Pole Pluggable connectors, snap-in device connectors, pluggable PCB connectors, distribution connectors, cable assemblies	1.5 mm ² ; 16 A	25
	WAGO Pluggable Connection System WINSTA® MINI special 890/891 Series; 2- to 5-Pole Pluggable connectors, snap-in device connectors, pluggable PCB connectors, distribution connectors, cable assemblies	1.5 mm ² ; 16 A	111
	WAGO Pluggable Connection System WINSTA® MIDI 770/771 Series; 2- to 7-Pole Linect® T-connectors, pluggable connectors, snap-in device connectors, pluggable PCB connectors, distribution connectors, cable assemblies	4 mm ² ; 25 A 	171
	WAGO Pluggable Connection System WINSTA® MIDI special 770/771 Series; 2- to 5-Pole Pluggable connectors, snap-in device connectors, pluggable PCB connectors, distribution connectors, cable assemblies	4 mm ² ; 25 A	307
	WAGO Pluggable Connection System WINSTA® – Specialty Cable Assemblies Cable assemblies for specialty applications		373
	WAGO Pluggable Connection System WINSTA® MAXI 831 Series; 5-Pole Pluggable connectors	6 mm ² ; 35 A	381
	WAGO Pluggable Connection System WINSTA® RD 774 Series; 3- and 4-Pole Cable assemblies	2.5 mm ² ; 20 A	387
	WAGO Pluggable Connection System WINSTA® KNX 893/894 Series; 2-Pole Pluggable connectors, snap-in device connectors, distribution connectors, cable assemblies	0.8 mm Ø; 3 A	403
	WAGO Pluggable Connection System WINSTA® IDC 772/893/895/896/897 Series Supply and tap-off modules, flat cables	16 mm ² ; 76 A	417
	WAGO Pluggable Connection System WINSTA® Boxes 899 Series Distribution boxes		445
	WAGO Accessories and WAGO Tools		479
	Technical Section		513
	Indexes and Addresses		527

Operating WAGO Connection Technologies

Please follow the applicable product-specific termination instructions.

PUSH-IN CAGE CLAMP®



Push-in CAGE CLAMP® terminates the following copper conductors:

solid



stranded



fine-stranded, also with tinned single strands



fine-stranded, tip-bonded



fine-stranded, with ferrule (gastight crimped)



fine-stranded, with pin terminal (gastight crimped)

The universal connection with an additional advantage:

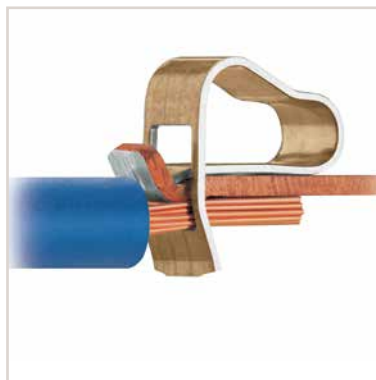
Push-in termination

Terminate solid and stranded, as well as ferruled conductors, by simply pushing them in – no tools required.

Termination for all conductor types:

- Open clamping unit
- Insert the conductor
- Release clamp – done!

CAGE CLAMP®



CAGE CLAMP® terminates the following copper conductors:

solid



stranded



fine-stranded, also with tinned single strands



fine-stranded, tip-bonded



fine-stranded, with ferrule (gastight crimped)



fine-stranded, with pin terminal (gastight crimped)

The universal connection for solid, stranded and fine-stranded conductors

Termination:

- Open clamping unit
- Insert the conductor
- Release clamp – done!

Operating WAGO Connection Technologies

Please follow the applicable product-specific termination instructions.

POWER CAGE CLAMP®



POWER CAGE CLAMP terminates the following copper conductors:

solid



stranded



fine-stranded,
also with tinned
single strands



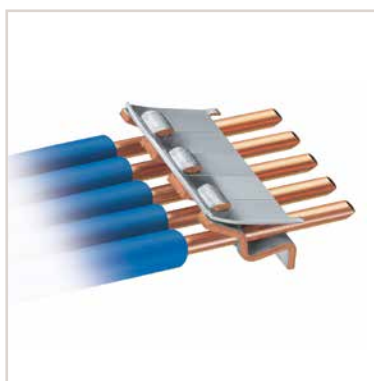
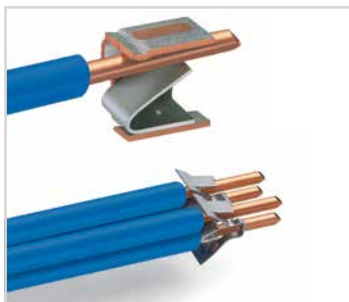
fine-stranded,
with ferrule
(gastight crimped)

The universal connection for conductors larger than 35 mm² (2 AWG)

Termination:

- Open clamp by turning a T-wrench counter-clockwise
- Press the integrated latch to open clamping unit for hands-free wiring
- Insert the conductor
- A small counter-clockwise rotation closes the clamp, securing conductor

PUSH WIRE®



PUSH WIRE® terminates the following copper conductors:

solid

PUSH WIRE® connection for solid and stranded conductors (depending on the model used)

Termination:

Tool-free, twist-free terminations for solid and rigid stranded conductors – simply push into the unit

WINSTA® – A Complete Series Perfects the System

The WINSTA® Pluggable Connection System

is the electrical interface that links power supply and distribution to electrical loads (e.g., lights) and encompasses data processing (bus lines in building automation).

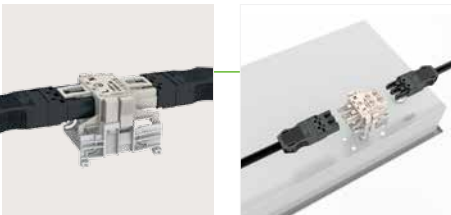
WINSTA® MINI
WINSTA® MINI special



WINSTA® MIDI
WINSTA® MIDI special



WINSTA® MIDI Linect®



WINSTA® MAXI

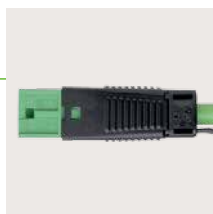




WINSTA® RD



WINSTA® KNX



WINSTA® IDC



Comprehensive WAGO Project Support:

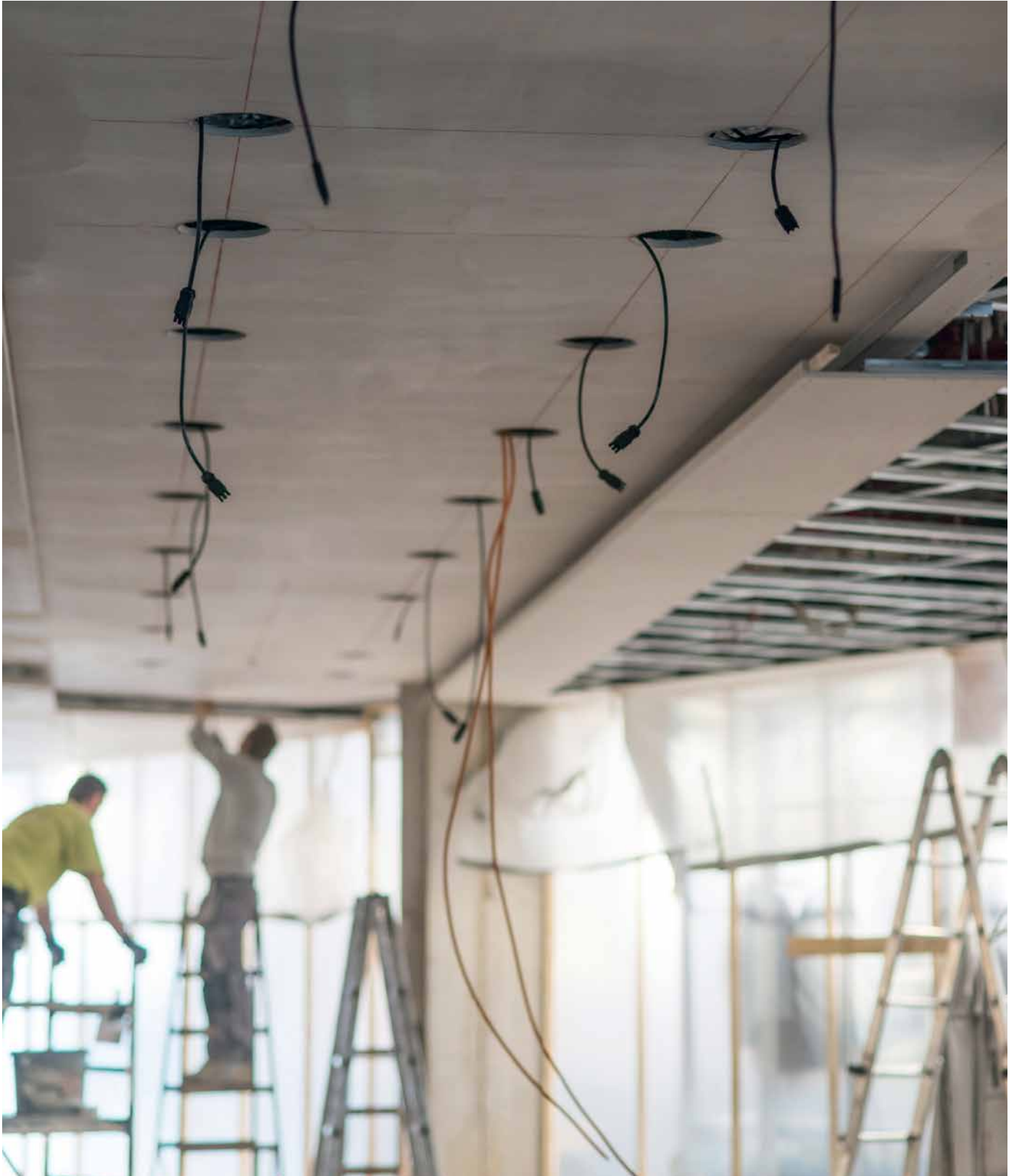
WAGO offers consulting and project planning services to help devise the best possible solution for your project. Our experienced team of professionals will gladly help you implement your project with our products.

www.wago.com/winsta

WINSTA® – The Pluggable Connection System

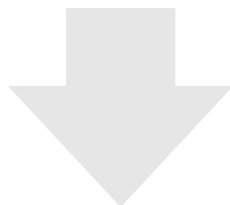
Plug into Power!

Even though the life cycle of a building stresses longevity, construction times are ever shorter and, particularly for functional buildings, operations are often subjected to continual reconstruction and relocation. Conditions within the construction industry show similar dynamic change: Overall construction volume is rising, so the order books are nicely filled. Yet at the same time, that industry struggles with a shortage of qualified workers. The **WINSTA®** Pluggable Connection System is the answer because speed, flexibility and expandability are becoming increasingly more important as integral keys to the long-term viability of buildings.



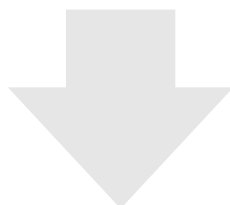
Planning

- End-to-end, application-oriented solutions from supply to load
- Integration of bus systems like DALI, SMI or KNX possible
- Decentralize energy distribution by integrating individually manufactured **WINSTA**® and system distribution boxes
- International approvals, along with our numerous successfully concluded building projects and references from the shipbuilding, transport and machinery/plant engineering areas, confirm high product quality.



Setup/Installation

- Evident time savings for the installer on the construction site thanks to Plug & Play connections.
- Pre-assembled cables and distribution components mean distribution connectors are easily inserted, so there is no more laborious wiring in junction boxes.
- Mechanical coding and color identification enable clear assignment to the power circuit for secure protection against mismatching – especially when used with the optional individual printing.



Utilization

- Simple, swift change for newly planned room divisions or extensions
- Numerous system partners bring future security
- Locking latches for solid, secure component connections



Maintenance

- The **WINSTA**® Pluggable Connection System is based on maintenance-free spring pressure connection technology.
- **WINSTA**® MIDI features thoughtfully designed test ports that enable testing when plugged in.
- Color coding, e.g., for plugs or distribution connectors, enables fast power circuit identification.



Conversion/Modernization

- The electrical installation can be flexibly reconfigured or extended, adapting readily to individual requirements.
- Energy-efficient, sustainable products for room automation, for example, can be integrated into a **WINSTA**® installation for renovations or other conversions.
- Minimized downtimes for maintenance processes (e.g., for exchanging lights).

Perfectly Plugged Applications

WINSTA® Building Applications

Every family within the **WINSTA®** system features an extremely broad product portfolio to meet the power supply and signal transmission requirements of modern buildings. Individual components including plugs, sockets, distribution connectors, cable assemblies and boxes with pluggable outputs provide all you need for fast and easy electrical installations. Additionally, the

WINSTA® MINI special and MIDI special families offer various mechanical and optical coding options for clearly identifying different circuits, while allowing bus signals to be distributed via pluggable connections.



Raised-Floor Box

- IDC flat cables provide power supplies to raised-floor boxes.
- For each type of supply, a flat cable line is installed in the raised floor and fed via supply modules.
- Tap-off is performed via a cable assembly that is protected against mismatching.
- Floor boxes come with integrated snap-in connectors.

Cable Duct

- Power supply distribution to a 230 V mains is performed using a pre-assembled **WINSTA®** Distribution Box.
- Power outputs are plugged into trunking outlets via pre-assembled interconnecting cables with integrated **WINSTA®** Plugs and Sockets.

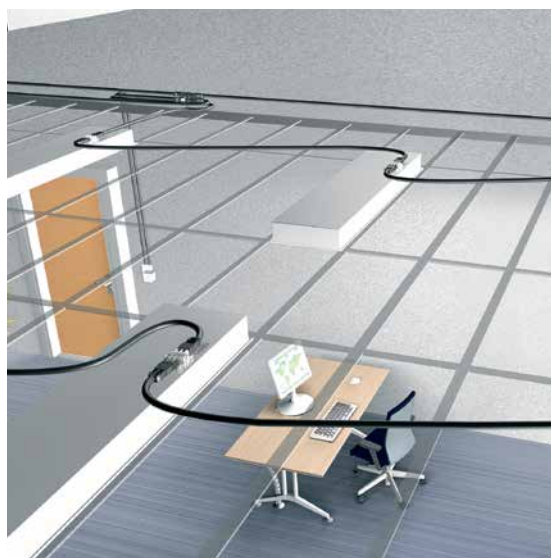


iStock.com/Johnny Greig



Sunblind Control

- A connecting cable supplies the **WINSTA**® Distribution Box for sunblind control.
- The sunblinds can also be operated via switches, as a user may expect.
- The distribution box connectors are protected against mismatching.
- The application is pre-assembled to save installation time and expedite system expansion.



Lighting

- The ceiling lights are connected to the distribution box via Linect® T-Connectors and **WINSTA**® Cable Assemblies.
- The circuit is flexible, quick to set up and can readily adapt to new requirements using the pluggable connection system.
- Linect® lights can be installed and removed just as quickly.

Perfectly Plugged Applications

WINSTA® Applications in Other Industries

Ships

Pluggable connection of smoke detectors, balcony door contacts, speakers and lights expedite electrical installation.



@gilles lougassi/Fotolia.com

RVs

Electric power and lighting for the interior – benefit from fast, safe and faultless installation.



@06photo/Fotolia.com

Trains

Plug & Play components support on-schedule completion and quick component replacement using pluggable outlets, displays, internal circuits, door contacts, speakers and lighting.



iStock.com/ fallbrook



iStock.com/ kirza

Elevators

Simplified installation and maintenance thanks to pluggable connections for electric power and lighting in the compartments



@Photocreo Bednarek/Fotolia.com

Shops and Trade Shows

Flexible installation that optimally provides electricity and lighting to temporary structures, or those that are frequently modified



@maho/Fotolia.com



Device Connection at Home

Ignition fans for pellet heating, connection of room control devices, electrical and lighting installation for integrated room systems

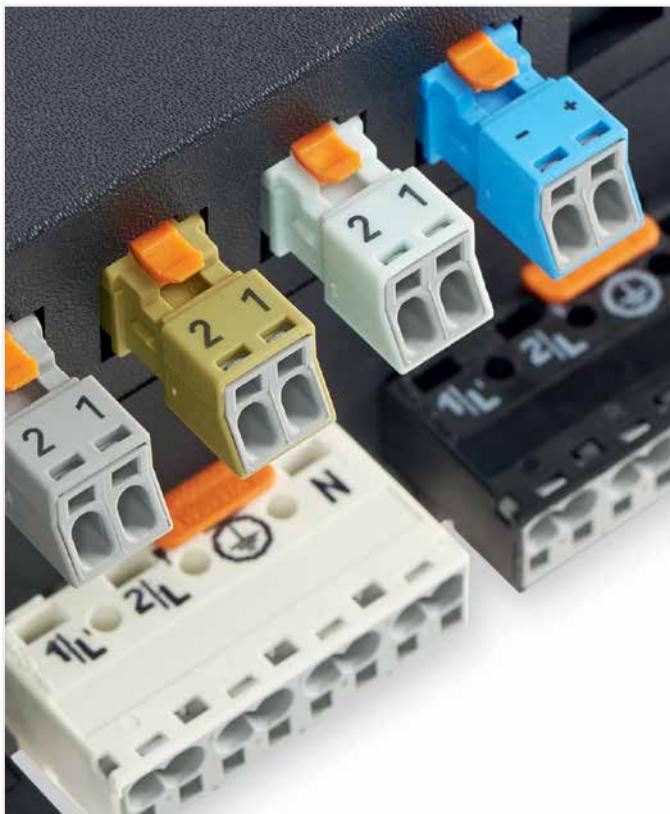
Devices and systems in homes and other private buildings have to be started and disconnected quickly and easily. This can be done at any time via touch-proof **WINSTA®** Pluggable Connectors.

Perfectly Plugged Applications

WINSTA® Applications in Other Industries

Retail Centers

Within electrical and lighting installations in consumer electronics stores, home improvement centers, supermarkets and other high-traffic environments, pluggable electrical installation is the gold standard.



@Photocreo Bednarek/Fotolia.com

Device Connection for Industrial Applications

Control systems, single-room controllers, presence detectors, empty bottle return machines and more

Manufacturers of industrial devices and systems are faced with a number of challenges. **WINSTA®** snap-in device connection permits fast, safe and error-free commissioning.

Customer Applications



Lanfer Automation

The company completely renovated its headquarters, targeting greater energy efficiency through innovative automation technology. The installation yielded additional benefits, because using the bus technology



meant no multiple lines had to be laid. As an additional benefit, **WINSTA®** simplified the connections between systems and devices



Zinser Fashion House

The Zinser Fashion House was completely modernized in a very short time, without interrupting operations. Instead of individually wiring 2000 lights per floor, only

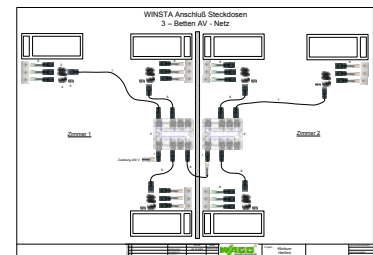


30 to 35 **WINSTA®** Boxes had to be wired in each story, leaving only the lights to be plugged in.



Herford Hospital

The clinic decided to use **WINSTA**® for the electrical wiring of the new, one- and two-bed patient rooms. For the installation of sockets on patient beds, a concept that enabled simple pre-assembly was designed. The corridor lighting in the hospital was implemented with



the pluggable connection system, resulting in 70% less effort and 30% lower costs.



Münster Municipal Theater

The Münster municipal theater was the first theater constructed in Germany after World War II. As part of its renovation, the illuminated seat numbering was modernized using **WINSTA**® Pluggable Connectors.



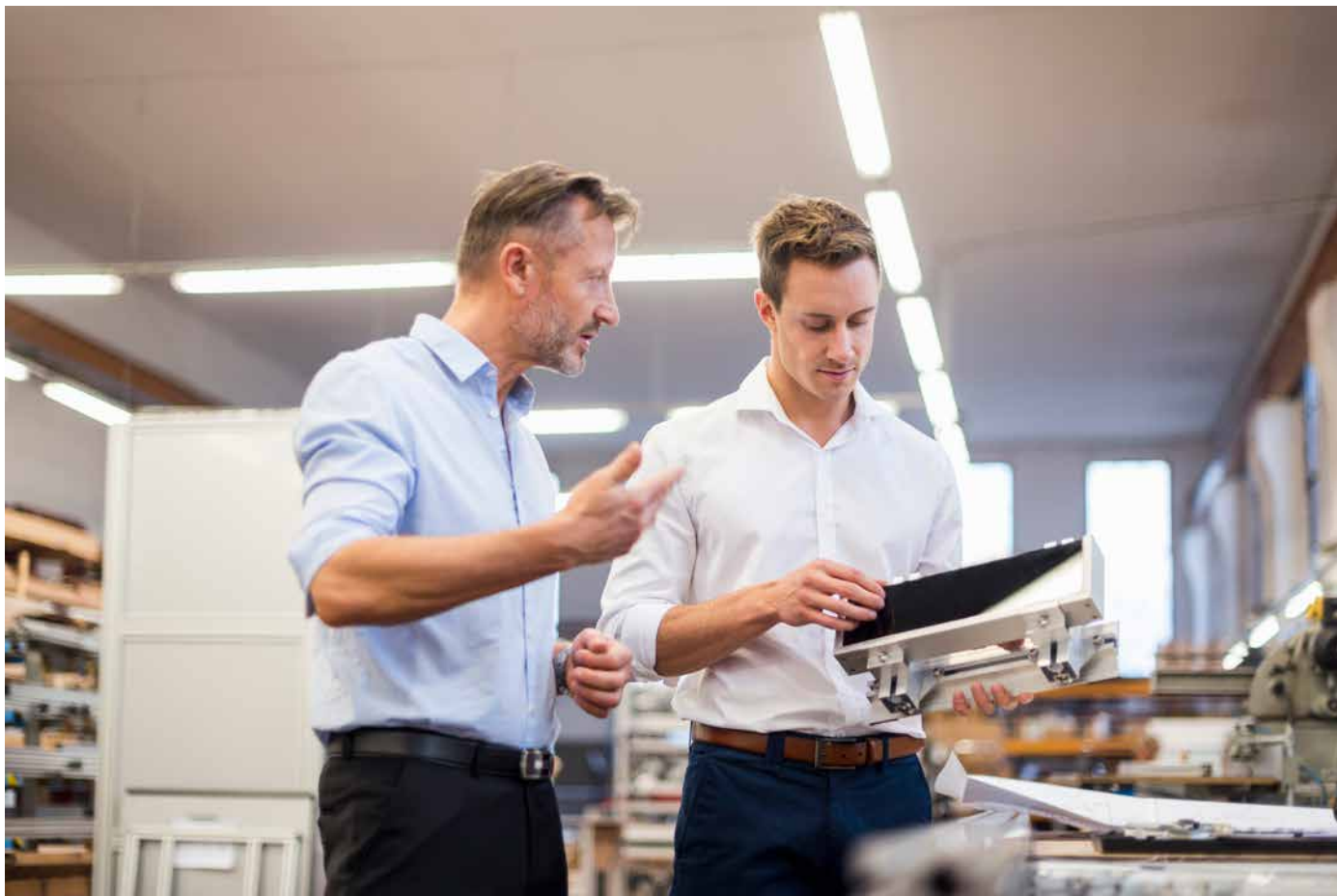
The emergency lighting was also revamped using **WINSTA**® MINI. The results simply sparkle.

WINSTA® – System Partners

Pluggable, End-to-End Design and Installation

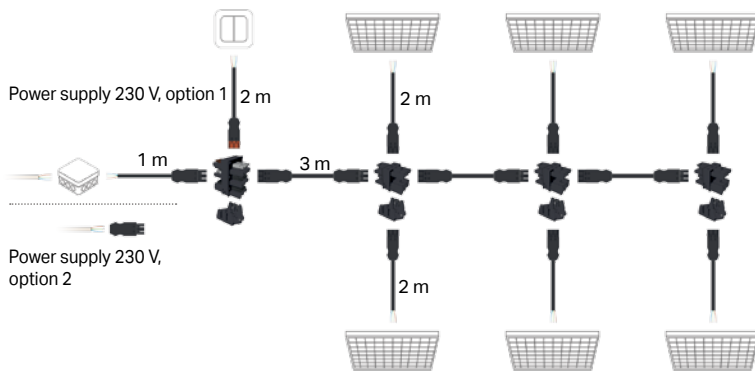
The core advantage of the **WINSTA®** Pluggable Connection System is in the time it saves. Electrical designers save time, especially when they can quickly and neatly create complete electrical plans the installers can use to build complete electrical systems on the construction site. The job is done on time and without a hitch!

With **WINSTA®** and the connected system partners, a coherent and consistent electrical design is seamlessly implemented and realized from supply to the "last mile"; that is, the interfaces to the fixed installation, such as lights or sockets.



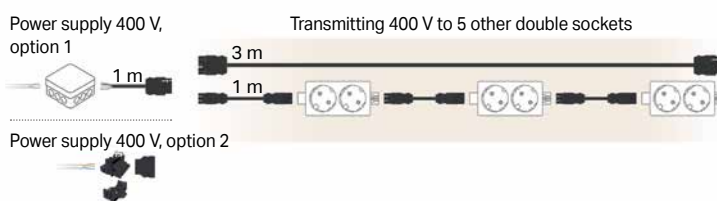
- All system partners maintain catalog articles with **WINSTA®** Pluggable Connection Technology.
- The system partner program covers all building installation interfaces, right to the end user.
- Manufacturers that carry the **WINSTA®** system partner logo equip their complementary products with the original WAGO Connection Technology and WAGO Pluggable Connectors.

Please feel free to contact us if you would like to have further information about our local **WINSTA®** system partners!



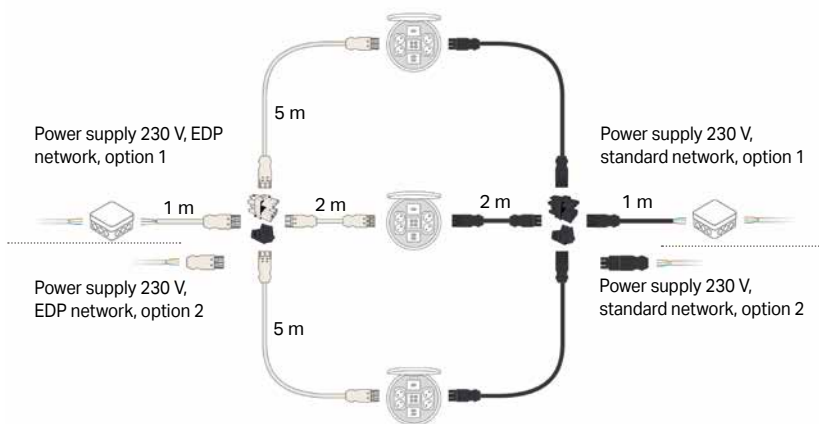
Lighting Fixtures

- Major time savings, since the plugs are already mounted at the factory.
- Also available for LED lights



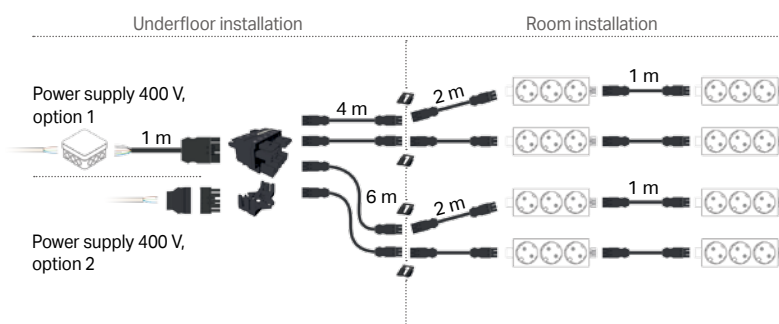
Switches/Socket/Cable Ducts

- As one example, with **WINSTA**[®], cable duct elements can be preassembled by the meter and installed on the construction site with just a few easy steps.



Underfloor

- Our system partners' underfloor boxes are available with either a handy, short connecting cable or a snap-in plug.



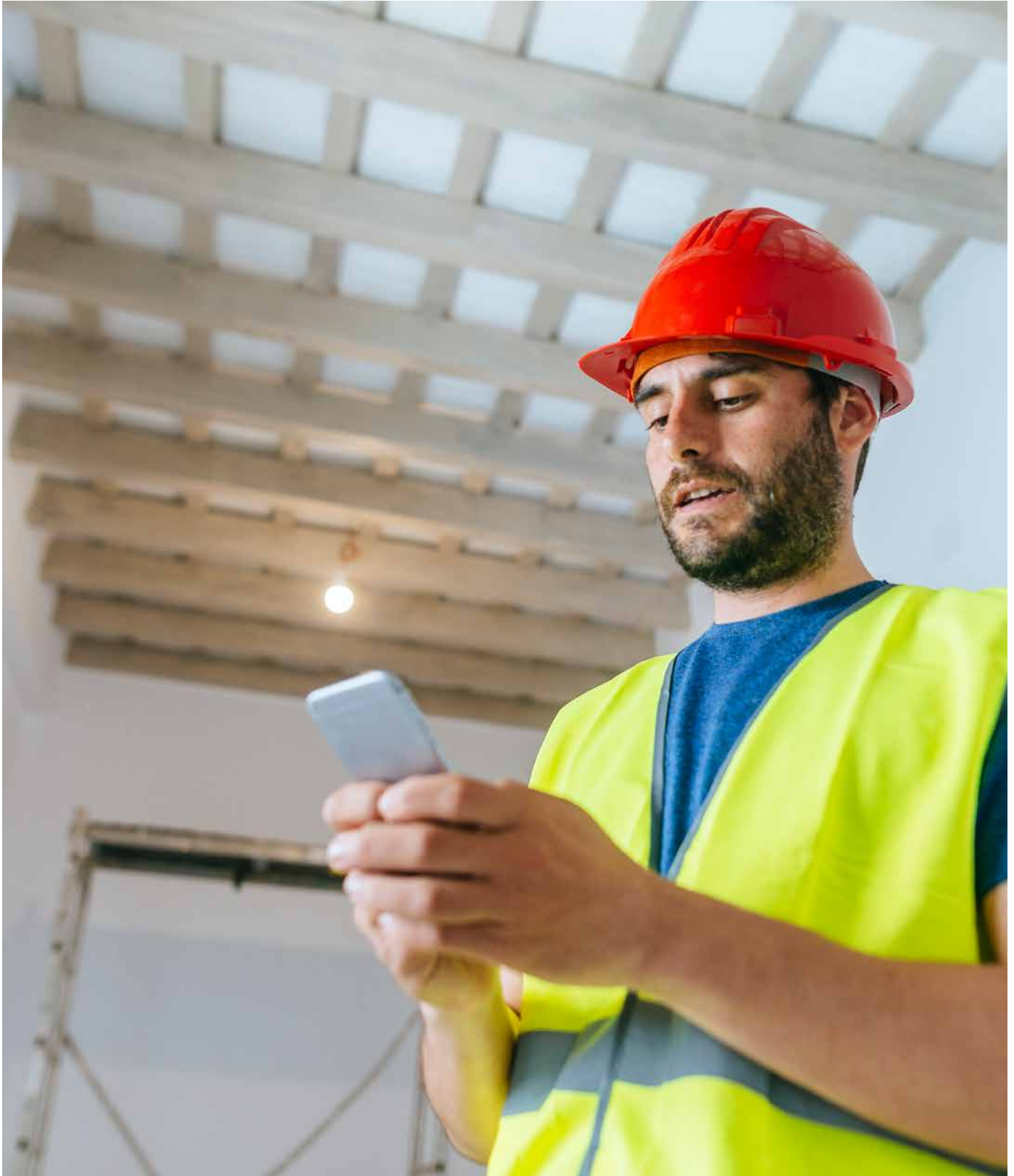
Workstation

- Workplace installations must be flexible – with **WINSTA**[®], the ideal connections are given.
- **WINSTA**[®] system partners offer a comprehensive range of functional, design-optimized complementary products.

WINSTA® in the Context of the Construction Product Regulation (CPR)

Background

Cables that are permanently installed in structures fall under the European CPR. They are classified into uniform fire classes according to their reaction to fire. The requirements are described in the harmonized standard hEN 50575:2014. Device connection cables that are directly connected to a load are an exception. All other cables must bear a CE conformance mark according to the CPR and a declaration of performance.



What does this mean for the **WINSTA®** Pluggable Connection System?

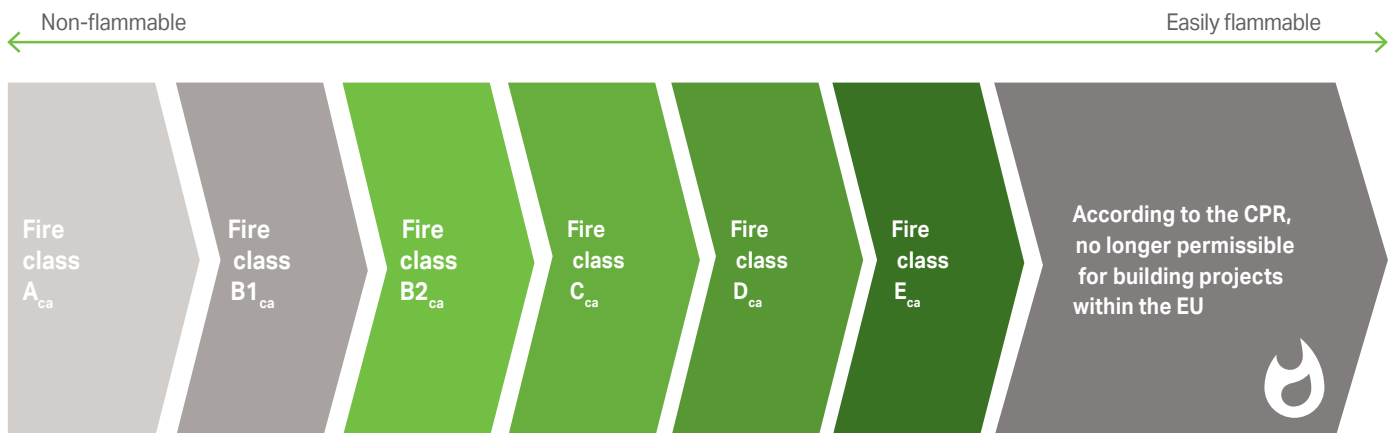
WAGO supplies cable assemblies within the **WINSTA®** product range. These cable assemblies are construction product-compliant, as they are designed according to standards for permanent installation in buildings, but are not covered by a uniform standard under the CPR. The scope of hEN 50575 only includes raw cables, not finished cables or cable assemblies. Thus, WAGO itself cannot issue any CE marking according to the CPR or declaration of performance!

What safety does WAGO offer in the event of fire?

The numbers from various statistics clearly show that one of the most common causes of death in fires is exposure to toxic gases and smoke. To counteract this, we have offered halogen-free cable types for the **WINSTA®** System for some time.

Always on the safe side – with **WINSTA®**!

The cables in the catalog range now already meet the requirements of the CPR and have been tested accordingly. Articles of higher fire classes (B_{2ca} and C_{ca}) are available on our E-Shop.





FAQ – Planning

Which room installation applications can be realized with the **WINSTA**® plug-in convenience?

WINSTA® means versatility for the widest range of applications. With the diverse product types, it is possible to install the energy supply for lights with widely varying switching types through cable ducts or underfloor systems via floor boxes, as well as dimming and shade control via pluggable installation connectors. Integrating bus systems such as DALI for dimming functions or SMI to control shading is uncomplicated; the same applies to the necessary sensors.

Is **WINSTA**® intended for applications in open or easily accessible areas?

Specialty products are available for this application (see page 230).

How flexible is the **WINSTA**® System when it comes to design/installation changes?

In functional buildings, modules can be added to the **WINSTA**® System at any time. If the intended room use changes, the installation is adapted or retrofitted quickly and error-free. With Plug & Play connection, both pre-assembled wiring and loads can be exchanged with just a few deft moves. All **WINSTA**® products can be reused to conserve resources.

Is the **WINSTA**® System maintenance-free?

Of course; the **WINSTA**® Pluggable Connection System is based on maintenance-free spring pressure connection technology. Many of the components feature Push-in CAGE CLAMP® for conductor terminations; thus, for example, even solid conductors can be simply pushed into unit.



Does WAGO recommend which coding and color to use for which application?

Due to the different applications, WAGO recommends using specific mechanical codings and colors:

Application	Coding	Connector Color
General network applications	A	Black, white
EPD or UPS applications	P	Red
Controlled lighting, DALI	I	Blue
Emergency power applications	L	Dark gray
Switch function	S	Brown
Control or other mains applications	B	Gray
Controlled shading/dimming; e.g., via SMI	B	Pink
Low voltages	B	Light green

Are distribution boxes with WINSTA® components available?

Yes. WAGO offers a variety of distribution boxes with different functions, like DALI Bus, KNX applications, sunblind control and more – completely ready for connection with WINSTA® Pluggable Connectors.

Where can WINSTA® be installed?

Essentially, the provisions outlined in VDE 0100 must always be observed. Pluggable installation connectors like WINSTA®, approved per IEC 61535, find use in prefabricated buildings, hollow spaces such as double floors or suspended ceilings; cable carrying, routing or ducting systems; in showrooms, separation walls and all similar applications.

FAQ – Service

How does WAGO support me during the design of building installation and automation?

WAGO's project service offers a very high level of support to help you through even the most complex and demanding installations. You can contact the project service by email under: info.projektplanung.de@wago.com.

Are there planning templates to get started?

WAGO has compiled planning examples for some applications; they are presented in our planning brochure with an appropriate parts list (www.wago.com/winsta). With **WINSTA**[®], these resources provide solid orientation that can be easily adapted to the individual project requirements – especially in the start phase.

FAQ – Installation

Is the **WINSTA**[®] Connection System truly a universal solution for building applications that allows devices with conventional field-wiring terminal blocks to be integrated into the installation?

In addition to cooperation with system partners who have access to their products via a direct **WINSTA**[®] interface, the **WINSTA**[®] System offers flexible and independent solutions such as connecting cables with open cable ends for pre-assembly on site. This means devices and loads can always be integrated into a **WINSTA**[®] installation.

What key advantages does **WINSTA**[®] offer for wiring?

Using the **WINSTA**[®] Pluggable Connection System cuts on-site connection time for installers to an absolute minimum. Thus, whenever a project calls for electrical installation, the wiring is simple, fast and on time, every time. **WINSTA**[®] also offers a multitude of mechanical codings and colors to protect against mismatching that virtually eliminate installation errors.

Who is permitted to install products from the **WINSTA**[®] Series on the construction site?

Only qualified electricians or appropriately instructed personnel may install pluggable installation connectors from the **WINSTA**[®] Series.

What needs to be considered for the transition from NYM cables for permanent installation to pluggable installation using flexible cables?

Flexible cables must be protected against excessive loads from tension, pressure, abrasion, twisting and kinking, particularly at device inlets and the transition point to the fixed installation. With **WINSTA**[®] Connectors, the transition point from NYM to **WINSTA**[®] can be defined and connected directly on site. This transition area must be correspondingly secured and protected from excessive bending stress. In addition, all terminals must be protected against shear and tensile stress.

FAQ – Security

How does **WINSTA**® accommodate differentiating/identifying individual power circuits?

Of course, flexible marking is part of a flexible connector system. This is why **WINSTA**® also offers custom solutions. Components from the **WINSTA**® MINI special and **WINSTA**® MIDI special families can be variably printed, to explicitly identify the specific power circuit they are assigned to. With clever accessories, further possibilities emerge.

Are the pluggable connectors secure and protected against accidental disconnection?

All products intended for permanent installation (e.g., distribution boxes, snap-in variants, PCB variants) are fitted with locking latches at the factory, so every plugged connection is securely locked. Locking latches can be attached to pre-assembled cables for "flying leads" at any time.

Is **WINSTA**® suitable for outdoor installations?

The **WINSTA**® System is approved up to protection class IP20; thus, **WINSTA**® shall not be used for outdoor installations.

Is the **WINSTA**® System protected against accidental contact?

All components of the **WINSTA**® System are protected against accidental contact, providing maximum safety.

FAQ – Regulations, Standards and Guidelines

To which regulations must I orient myself for installations with **WINSTA**®?

WINSTA® is primarily approved per IEC 61535 (VDE 0606-200) – the product standard for pluggable installation connectors intended for permanent connection in mounted installations. When installing **WINSTA**® products, the DIN VDE 0100 specifications must be followed.

Can **WINSTA**® be used in low-voltage range applications?

Compliance of **WINSTA**® products with the low-voltage directive is verified by the CE approval.

What must be accounted for when connecting a cable with reduced cross section to an underfloor box (e.g., via IDC tap-off module)?

The minimum cable cross section must be adapted to the connected load. More protection measures are only required if the cable with the reduced cross section is longer than 3 m; see VDE 0100 – 430.

Can two electrical circuits (even those with different voltages) be routed in one connector/cable?

According to VDE 0100 Part 520, this is acceptable when the connector, or all of the wire insulation present in the cable line is rated for the maximum voltage applied.

What needs to be considered for an installation requiring increased fire protection?

When using pluggable connector systems, the conduit selected has a significant impact on building protection, thus safeguarding the inhabitants and users. Cables and conduits fall under the Construction Product Regulation (CPR). Their performance in the event of fire is described by the fire class feature. In the **WINSTA**® product range, WAGO also carries cables suited for higher fire classes (B2_{ca} and C_{ca}) that are available in our eShop.








WAGO Pluggable Connection System *WINSTA*® MINI

WAGO Pluggable Connection System WINSTA® MINI ▶ 890, 891 Series

1.5 mm² / 16 A

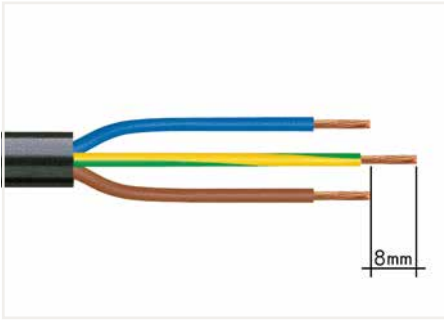
- Note:
- Installation connectors are designed for connection and disconnection while not under load.
 - There is no hazard-inducing interchangeability with systems based on IEC 60309, IEC 60320, IEC 60906 and with national connector and socket systems.
 - Compliance with the standards (IEC 61535) does not guarantee hazard-preventing, non-interchangeability with installation connector systems from various manufacturers.
 - Installation connector systems are not a substitute for residential connector/socket systems.

1

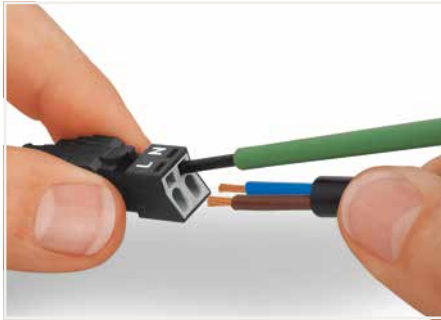
	Page	
	Pluggable Connectors, 890 Series	
	2-pole	28
	3-pole	50
	4-pole	70
	5-pole	88
	Snap-In Device Connectors, 890 Series	
	2-pole	32
	3-pole	54
	4-pole	74
	5-pole	92
	Pluggable PCB Connectors, 890 Series	
	2-pole	34
	3-pole	56
	4-pole	76
	5-pole	96
	Distribution Connectors, 890 Series	
	2-pole	38
	3-pole	60
	4-pole	80
	5-pole	100
	Cable Assemblies, 891 Series	
	2-pole	42
	3-pole	64
	4-pole	84
	5-pole	104

WINSTA® MINI ▶ 890, 891 Series Installation

1



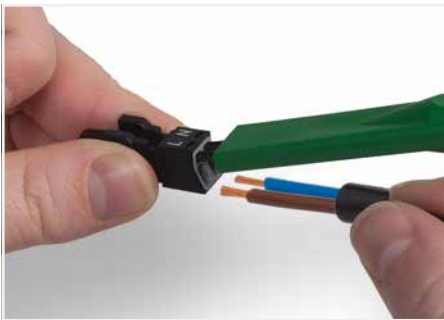
1. Strip length, outer insulation = x mm ❶
2. Strip length = 9 mm
3. Extended ground conductor = 8 mm



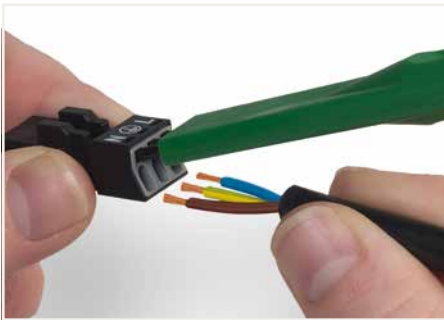
To terminate fine-stranded conductors, open the clamping unit via screwdriver (2.5 mm blade width) and insert a stripped conductor until it hits backstop. Terminate solid conductors by simply pushing them in.



Latch wired connector onto the base of the strain relief housing.



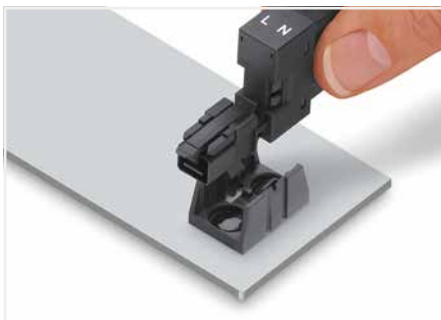
To terminate fine-stranded conductors, open clamping units via operating tool (890-382) and insert stripped conductors until they hit backstop. Terminate solid conductors by simply pushing them in.



To terminate fine-stranded conductors, open clamping units via operating tool (890-383) and insert stripped conductors until they hit backstop. Terminate solid conductors by simply pushing them in.



Secure the mounting plate via pins.



The distribution connectors snap together when attached to the mounting plate.



All connectors for mounted installations (snap-in versions, pluggable PCB connectors, distribution connectors) are factory-equipped with locking levers to ensure plugs and sockets are securely locked. Additional locking levers are only required for "flying leads" (plug/socket).

❶ Strip length, outer insulation: 2-pole = 32 mm, 3-pole = 40 mm, 4- and 5-pole = 45 mm

PUSH-IN CAGE CLAMP®

1



Push down strain relief clamp by hand.



Push down strain relief clamp via 2.5 mm screwdriver alternately on both sides.



Latch the top of the strain relief housing.



The printed marking of the connector is clearly visible in the openings of the strain relief housing.



Connector with shield termination



Apply the shield to the rubber cable.
Strip length, outer insulation = 40 mm
Shield length = 8 mm



Push the shield connecting plate into the connector until fully inserted.



First insert the wired connector into strain relief housing, then snap clamp and cover.

Pluggable Connector ▶ WINSTA® MINI ▶ 890 Series

No. of poles: 2

1



- Protected against mismatching and maintenance-free
- Push-in CAGE CLAMP® spring pressure connection technology allows solid conductors to be simply pushed into a unit
- Compact design with 4.4 mm pole spacing

Electrical Data			
Coding	A / I		
Ratings per	IEC/EN 60664-1		
Overvoltage category	III	III	II
Pollution degree	3	2	2
Rated voltage	250 V	-	-
Rated impulse voltage	4 kV	-	-
Rated current	16 A	-	-
Approvals per	UL 1977		
Rated voltage	600 V		
Rated current	14 A		

Connection Data	
Connection technology	Push-in CAGE CLAMP®
Strip length	9 mm / 0.35 Inch
Nominal cross section	1.5 mm ²
Solid conductor	0.25 ... 1.5 mm ² / 22 ... 16 AWG
Solid conductor, push-in termination	0.75 ... 1.5 mm ² / 20 ... 16 AWG
Stranded conductor	0.25 ... 1 mm ² / 22 ... 18 AWG
Fine-stranded conductor	0.25 ... 1.5 mm ² / 22 ... 16 AWG
Fine-stranded conductor with ferrule with plastic collar	0.25 ... 0.75 mm ² / 22 ... 20 AWG
Fine-stranded conductor with ferrule without plastic collar	0.25 ... 0.75 mm ² / 22 ... 20 AWG
Fine-stranded conductor with ferrule, push-in termination, from	0.75 mm ² / 20 AWG

Material Data	
Insulating material	Polyamide 66 (PA 66)
Flammability class per UL94	V0
Clamping spring material	Chrome nickel spring steel (CrNi)
Contact material	Copper or copper alloy, surface-treated

Mechanical Data	
Mating force of a plug-in connection	Approx. 20 ... 70 N (depending on pole number)
Unmating force of a plug-in connection	When unlocked: approx. 20 ... 70 N (depending on pole number)
Retention force of a plug-in connection	When locked: > 80 N
Protection class	IP20
Note on protection class	Only in mated condition with strain relief housing (These compact connectors are not designed for use in open, easily accessible areas.)
Mismatching protection	All WINSTA® components are 100 % protected against mismatching in terms of: <ul style="list-style-type: none"> • Plugging a different number of poles • Plugging when rotated by 180° • Plugging when laterally staggered • Plugging one pole

Environmental Requirements	
Processing temperature	-5 ... +40 °C
Continuous operating temperature	-35 ... +85 °C
Note on continuous service temperature	Insulating parts for temperatures ≤ 105 °C

All connectors for mounted installations (snap-in versions for lighting fixtures or devices, all types of PCB and distribution connectors) are factory-equipped with locking levers to ensure plugs and sockets are securely locked. Additional locking levers are only required for flying leads (plug/socket).

Application note for the U.S. market (USR): Some versions may also be used for current interruption in accordance with the UL certificate in select applications with currents below 5 A and voltages up to 600 V. For further information, please contact your local sales office.

Tools Page 506

Additional information, see "Technical Section"

Approvals and corresponding ratings, visit www.wago.com

Pluggable Connector ▶ WINSTA® MINI ▶ 890 Series

No. of poles: 2 ▶ Cable diameter: 3.8 ... 8.2 mm

Female connector/socket ▶ Strip length: 17.5 mm

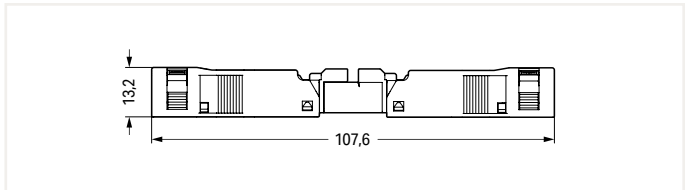
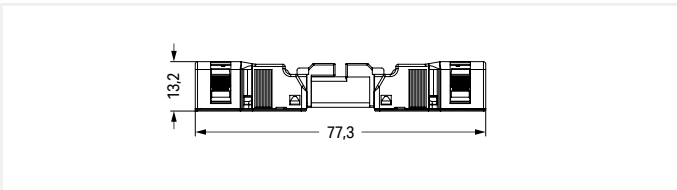
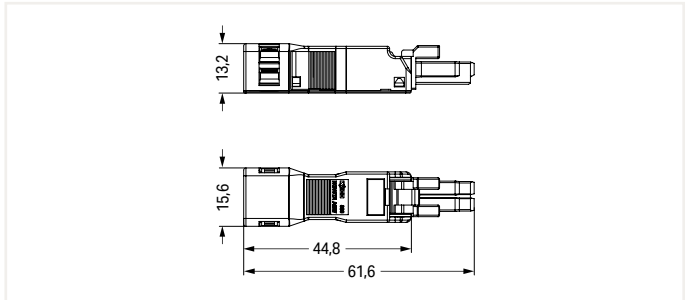
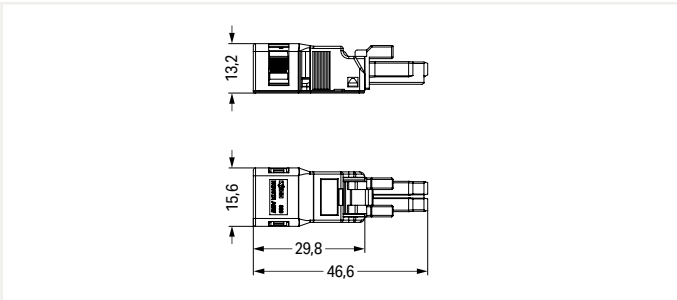
Female connector/socket ▶ Strip length: 32 mm



1

Color	Coding	Marking	Item No.	PU
● black	A	L N	890-202/342-000	50

Color	Coding	Marking	Item No.	PU
● black	A	L N	890-102	50
○ white	A	L N	890-122	50



Overall length when mated

Overall length when mated

Accessories; for all products on this page



Locking lever; for flying leads; manually operated		
Color	Item No.	PU (SPU)
● black	890-101	100 (50)
○ white	890-121	100 (50)

Locking lever; for flying leads; tool operated		
Color	Item No.	PU (SPU)
● black	890-111	100 (50)
○ white	890-131	100 (50)

Mounting adapter; for 2- to 5-pole for flying leads		
Color	Item No.	PU
● black	890-310	100
○ white	890-311	100



Operating tool; for WINSTA® MINI connectors; No. of poles: 2		
Item No.	PU	
890-382	1	

PU = Packaging Unit; SPU = Subpackaging Unit; Dimensions in mm

Pluggable Connector ▶ WINSTA® MINI ▶ 890 Series

No. of poles: 2 ▶ Cable diameter: 3.8 ... 8.2 mm

Male connector/plug ▶ Strip length: 17.5 mm

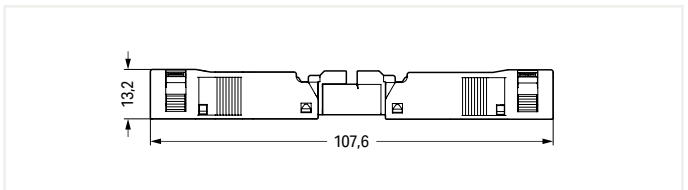
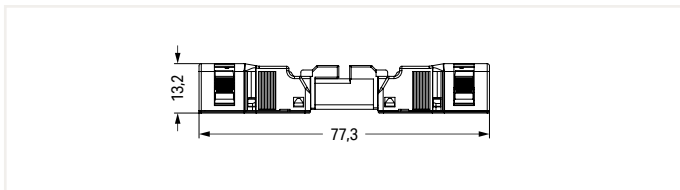
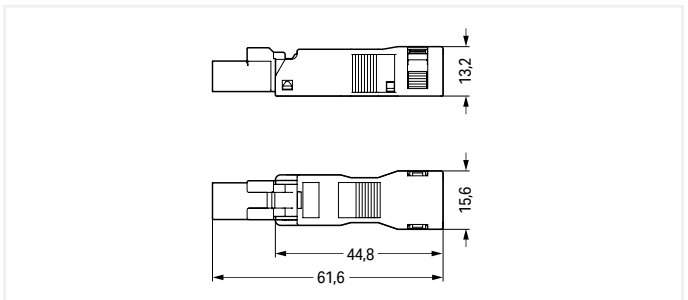
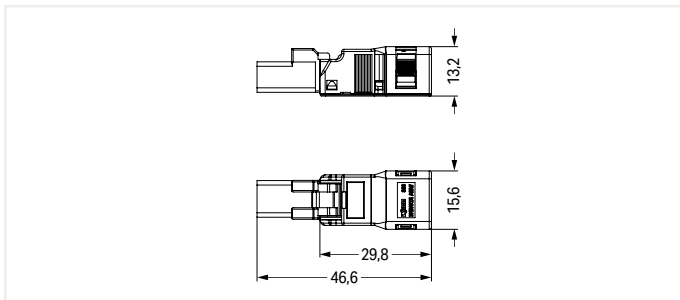
Male connector/plug ▶ Strip length: 32 mm

1



Color	Coding	Marking	Item No.	PU
● black	A	LN	890-212/342-000	50

Color	Coding	Marking	Item No.	PU
● black	A	LN	890-112	50
○ white	A	LN	890-132	50



Overall length when mated

Overall length when mated

Accessories; for all products on this page



Locking lever; for flying leads; manually operated		
Color	Item No.	PU (SPU)
● black	890-101	100 (50)
○ white	890-121	100 (50)

Locking lever; for flying leads; tool operated		
Color	Item No.	PU (SPU)
● black	890-111	100 (50)
○ white	890-131	100 (50)

Mounting adapter; for 2- to 5-pole for flying leads		
Color	Item No.	PU
● black	890-310	100
○ white	890-311	100



Operating tool; for WINSTA® MINI connectors; No. of poles: 2

Item No.	PU
890-382	1

PU = Packaging Unit; SPU = Subpackaging Unit; Dimensions in mm

Pluggable Connector ▶ WINSTA® MINI ▶ 890 Series

No. of poles: 2

Female connector/socket

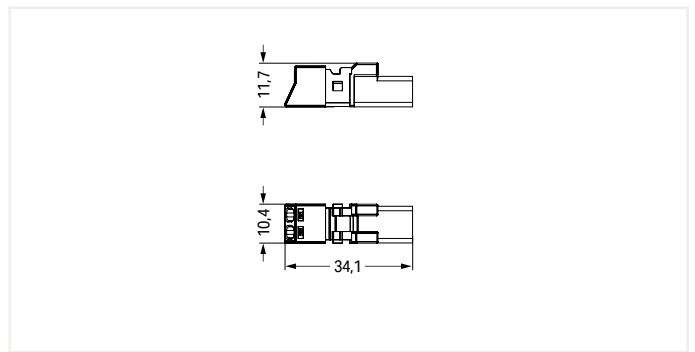
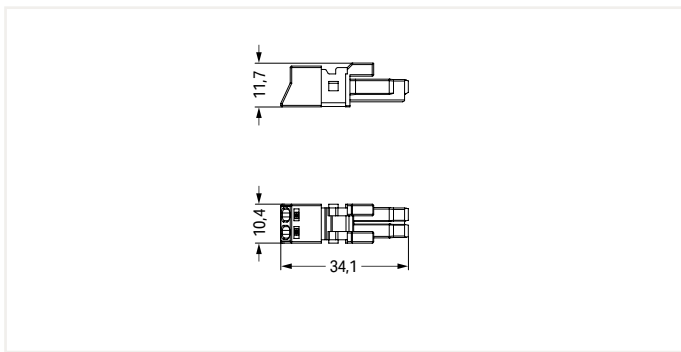
Male connector/plug



1

Color	Coding	Marking	Item No.	PU
● black	A	L N	890-202	50
○ white	A	L N	890-222	50
● blue	I	+ -	890-1102	50

Color	Coding	Marking	Item No.	PU
● black	A	L N	890-212	50
○ white	A	L N	890-232	50
● blue	I	+ -	890-1112	50



Accessories; for all products on this page



Locking lever; for flying leads; manually operated		
Color	Item No.	PU (SPU)
● black	890-101	100 (50)
○ white	890-121	100 (50)



Locking lever; for flying leads; tool operated		
Color	Item No.	PU (SPU)
● black	890-111	100 (50)
○ white	890-131	100 (50)



Mounting adapter; for 2- to 5-pole for flying leads		
Color	Item No.	PU
● black	890-310	100
○ white	890-311	100



Operating tool; for WINSTA® MINI connectors; No. of poles: 2		
Item No.	PU	
890-382	1	



Strain relief housing; Connectable sheathed cable diameter: 3.8 ... 8.2 mm; Strip length: 32 mm		
Color	Item No.	PU
● black	890-502	50
○ white	890-512	50



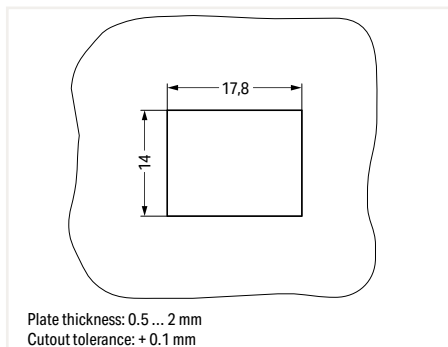
Strain relief housing; Connectable sheathed cable diameter: 3.8 ... 8.2 mm; Strip length: 17.5 mm		
Color	Item No.	PU
● black	890-502/342-000	50
○ white	890-512/342-000	50

PU = Packaging Unit; SPU = Subpackaging Unit; Dimensions in mm

Snap-In Device Connector ▶ WINSTA® MINI ▶ 890 Series

No. of poles: 2

1



- Protected against mismatching and maintenance-free
- Push-in CAGE CLAMP® spring pressure connection technology allows solid conductors to be simply pushed into a unit
- Compact design with 4.4 mm pole spacing

Electrical Data

Coding	A / I		
Ratings per	IEC/EN 60664-1		
Overvoltage category	III	III	II
Pollution degree	3	2	2
Rated voltage	250 V	-	-
Rated impulse voltage	4 kV	-	-
Rated current	16 A	-	-
Approvals per	UL 1977		
Rated voltage	600 V		
Rated current	14 A		

Connection Data

Connection technology	Push-in CAGE CLAMP®
Strip length	9 mm / 0.35 Inch
Nominal cross section	1.5 mm ²
Solid conductor	0.25 ... 1.5 mm ² / 22 ... 16 AWG
Solid conductor, push-in termination	0.75 ... 1.5 mm ² / 20 ... 16 AWG
Stranded conductor	0.25 ... 1 mm ² / 22 ... 18 AWG
Fine-stranded conductor	0.25 ... 1.5 mm ² / 22 ... 16 AWG
Fine-stranded conductor with ferrule with plastic collar	0.25 ... 0.75 mm ² / 22 ... 20 AWG
Fine-stranded conductor with ferrule without plastic collar	0.25 ... 0.75 mm ² / 22 ... 20 AWG
Fine-stranded conductor with ferrule, push-in termination, from	0.75 mm ² / 20 AWG

Material Data

Insulating material	Polyamide 66 (PA 66)
Flammability class per UL94	V0
Clamping spring material	Chrome nickel spring steel (CrNi)
Contact material	Copper or copper alloy, surface-treated

Mechanical Data

Mating force of a plug-in connection	Approx. 20 ... 70 N (depending on pole number)
Unmating force of a plug-in connection	When unlocked: approx. 20 ... 70 N (depending on pole number)
Retention force of a plug-in connection	When locked: > 80 N
Protection class	IP20
Note on protection class	Only in mated condition with strain relief housing (These compact connectors are not designed for use in open, easily accessible areas.)
Mismatching protection	All WINSTA® components are 100 % protected against mismatching in terms of: <ul style="list-style-type: none"> • Plugging a different number of poles • Plugging when rotated by 180° • Plugging when laterally staggered • Plugging one pole

Environmental Requirements

Processing temperature	-5 ... +40 °C
Continuous operating temperature	-35 ... +85 °C
Note on continuous service temperature	Insulating parts for temperatures ≤ 105 °C

All connectors for mounted installations (snap-in versions for lighting fixtures or devices, all types of PCB and distribution connectors) are factory-equipped with locking levers to ensure plugs and sockets are securely locked. Additional locking levers are only required for flying leads (plug/socket).

Application note for the U.S. market (USR): Some versions may also be used for current interruption in accordance with the UL certificate in select applications with currents below 5 A and voltages up to 600 V. For further information, please contact your local sales office.

Tools Page 506

Additional information, see "Technical Section"

Approvals and corresponding ratings, visit www.wago.com

Snap-In Device Connector ▶ WINSTA® MINI ▶ 890 Series

No. of poles: 2

Female connector/socket

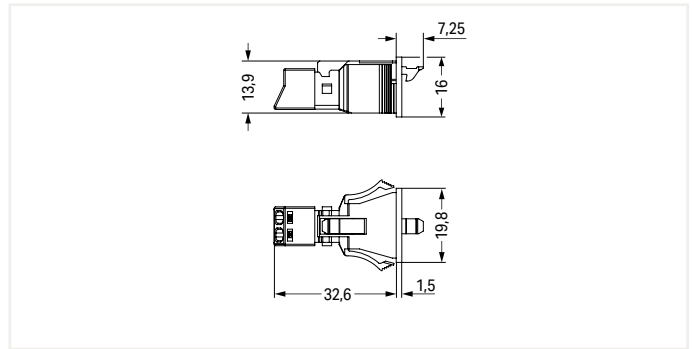
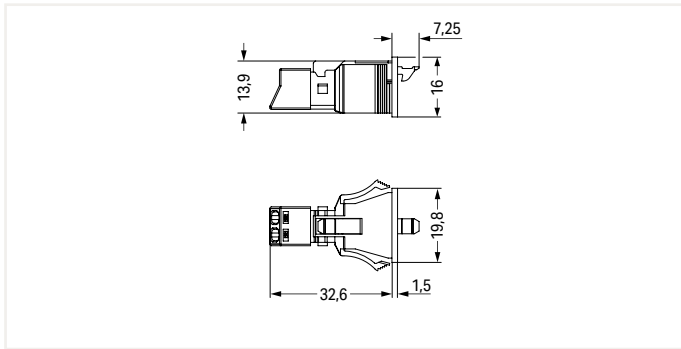
Male connector/plug



1

Color	Coding	Marking	Item No.	PU (SPU)
● black	A	L N	890-702	50 (50)
○ white	A	L N	890-722	50 (50)
● blue	I	+ -	890-2102	50 (50)

Color	Coding	Marking	Item No.	PU (SPU)
● black	A	L N	890-712	50 (50)
○ white	A	L N	890-732	50 (50)
● blue	I	+ -	890-2112	50 (50)



Accessories; for all products on this page



Operating tool; for WINSTA® MINI connectors; No. of poles: 2		
Item No.	PU	
890-382	1	

Lockout cap; for cutout; No. of poles: 2		
Color	Item No.	PU
● black	890-642	100
○ white	890-692	100

PU = Packaging Unit; SPU = Subpackaging Unit; Dimensions in mm

Pluggable PCB Connector ▶ WINSTA® MINI ▶ 890 Series

No. of poles: 2

1



- Protected against mismatching and maintenance-free
- Push-in CAGE CLAMP® spring pressure connection technology allows solid conductors to be simply pushed into a unit
- Compact design with 4.4 mm pole spacing

Electrical Data			
Coding	A / I		
Ratings per	IEC/EN 60664-1		
Overvoltage category	III	III	II
Pollution degree	3	2	2
Rated voltage	250 V	-	-
Rated impulse voltage	4 kV	-	-
Rated current	16 A	-	-
Approvals per	UL 1977		
Rated voltage	600 V		
Rated current	14 A		
Material Data			
Insulating material	Polyamide 66 (PA 66)		
Flammability class per UL94	V0		
Contact material	Copper or copper alloy, surface-treated		
Mechanical Data			
Solder pin arrangement	2 in-line solder pins/pole		
Solder pin length	3.5 mm		
Solder pin dimensions	1 x 0.8 mm		
Drilled hole diameter (tolerance)	1.3 ^(+0.1) mm		
Mating force of a plug-in connection	Approx. 20 ... 70 N (depending on pole number)		
Unmating force of a plug-in connection	When unlocked: approx. 20 ... 70 N (depending on pole number)		
Retention force of a plug-in connection	When locked: > 80 N		
Protection class	IP20		
Note on protection class	Only in mated condition with strain relief housing (These compact connectors are not designed for use in open, easily accessible areas.)		
Mismatching protection	All WINSTA® components are 100 % protected against mismatching in terms of: <ul style="list-style-type: none"> • Plugging a different number of poles • Plugging when rotated by 180° • Plugging when laterally staggered • Plugging one pole 		
Environmental Requirements			
Processing temperature	-5 ... +40 °C		
Continuous operating temperature	-35 ... +85 °C		
Note on continuous service temperature	Insulating parts for temperatures ≤ 105 °C		

All connectors for mounted installations (snap-in versions for lighting fixtures or devices, all types of PCB and distribution connectors) are factory-equipped with locking levers to ensure plugs and sockets are securely locked. Additional locking levers are only required for flying leads (plug/socket).

Application note for the U.S. market (USR): Some versions may also be used for current interruption in accordance with the UL certificate in select applications with currents below 5 A and voltages up to 600 V. For further information, please contact your local sales office.

Additional information, see "Technical Section"

Approvals and corresponding ratings, visit www.wago.com

Pluggable PCB Connector ▶ WINSTA® MINI ▶ 890 Series

No. of poles: 2

Straight ▶ Female connector/socket

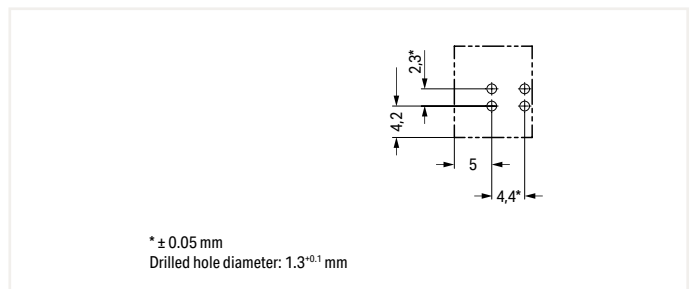
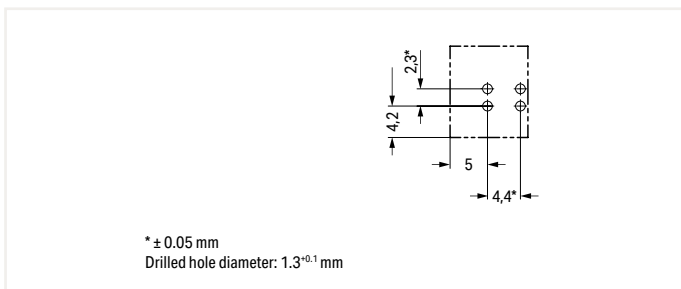
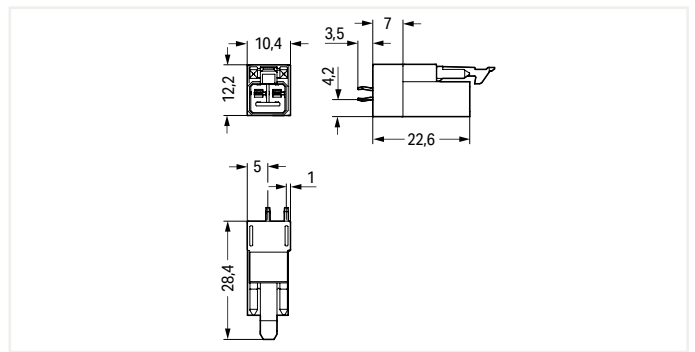
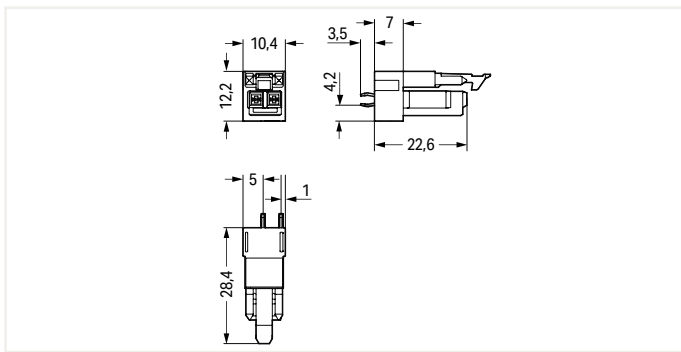
Straight ▶ Male connector/plug



1

Color	Coding	Marking	Item No.	PU
● black	A	L N	890-802	100
○ white	A	L N	890-822	100
● blue	I	+ -	890-3102	100

Color	Coding	Marking	Item No.	PU
● black	A	L N	890-812	100
○ white	A	L N	890-832	100
● blue	I	+ -	890-3112	100



Pluggable PCB Connector ▶ WINSTA® MINI ▶ 890 Series

No. of poles: 2

Angled ▶ Female connector/socket

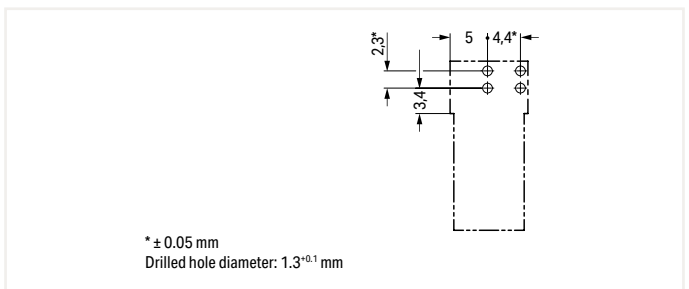
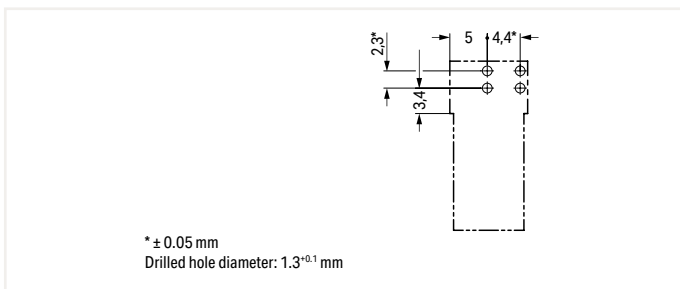
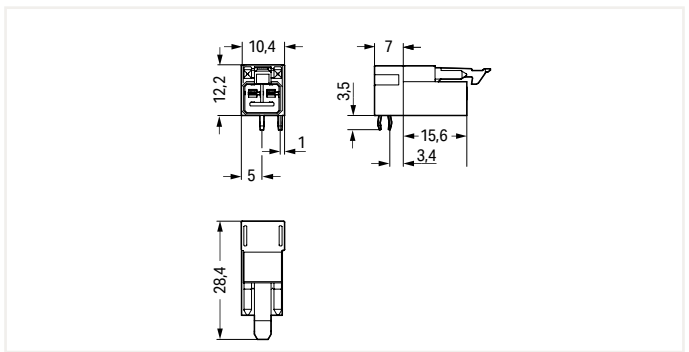
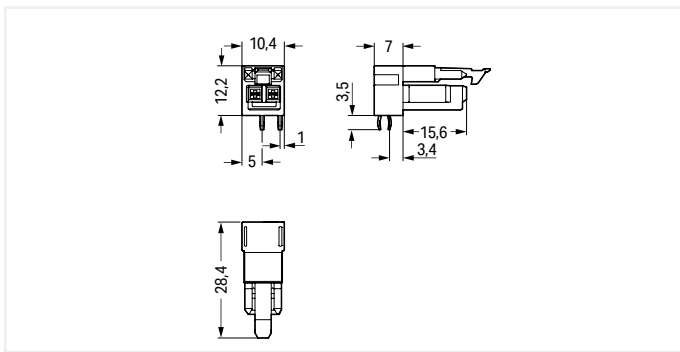
Angled ▶ Male connector/plug

1



Color	Coding	Marking	Item No.	PU
● black	A	L N	890-802/011-000	100
○ white	A	L N	890-822/011-000	100
● blue	I	+ -	890-3102/011-000	100

Color	Coding	Marking	Item No.	PU
● black	A	L N	890-812/011-000	100
○ white	A	L N	890-832/011-000	100
● blue	I	+ -	890-3112/011-000	100



Distribution Connector ▶ WINSTA® MINI ▶ 890 Series

No. of poles: 2

1



- Protected against mismatching and maintenance-free
- Push-in CAGE CLAMP® spring pressure connection technology allows solid conductors to be simply pushed into a unit
- Compact design with 4.4 mm pole spacing

Electrical Data			
Coding	A / I		
Ratings per	IEC/EN 60664-1		
Overvoltage category	III	III	II
Pollution degree	3	2	2
Rated voltage	250 V	-	-
Rated impulse voltage	4 kV	-	-
Rated current	16 A	-	-
Approvals per	UL 1977		
Rated voltage	600 V		
Rated current	14 A		

Material Data	
Insulating material	Polyamide 66 (PA 66)
Flammability class per UL94	V0
Contact material	Copper or copper alloy, surface-treated

Mechanical Data	
Mating force of a plug-in connection	Approx. 20 ... 70 N (depending on pole number)
Unmating force of a plug-in connection	When unlocked: approx. 20 ... 70 N (depending on pole number)
Retention force of a plug-in connection	When locked: > 80 N
Protection class	IP20
Note on protection class	Only in mated condition (These compact connectors are not designed for use in open, easily accessible areas.)
Mismatching protection	All WINSTA® components are 100 % protected against mismatching in terms of: <ul style="list-style-type: none"> • Plugging a different number of poles • Plugging when rotated by 180° • Plugging when laterally staggered • Plugging one pole

Environmental Requirements	
Processing temperature	-5 ... +40 °C
Continuous operating temperature	-35 ... +85 °C
Note on continuous service temperature	Insulating parts for temperatures ≤ 105 °C

All connectors for mounted installations (snap-in versions for lighting fixtures or devices, all types of PCB and distribution connectors) are factory-equipped with locking levers to ensure plugs and sockets are securely locked. Additional locking levers are only required for flying leads (plug/socket).

Application note for the U.S. market (USR): Some versions may also be used for current interruption in accordance with the UL certificate in select applications with currents below 5 A and voltages up to 600 V. For further information, please contact your local sales office.

Additional information, see "Technical Section"

Approvals and corresponding ratings, visit www.wago.com

Distribution Connector ▶ WINSTA® MINI ▶ 890 Series

No. of poles: 2

T-distribution connector ▶ Number of locking levers: 2

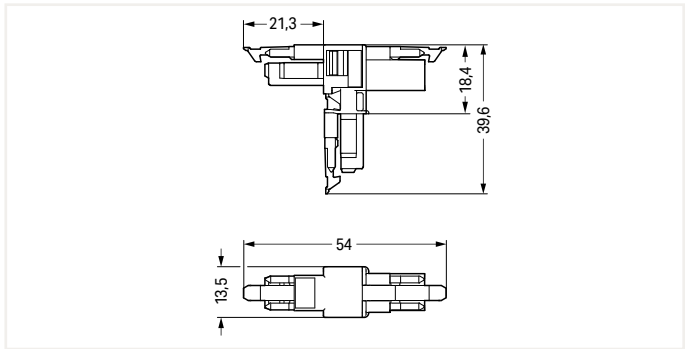
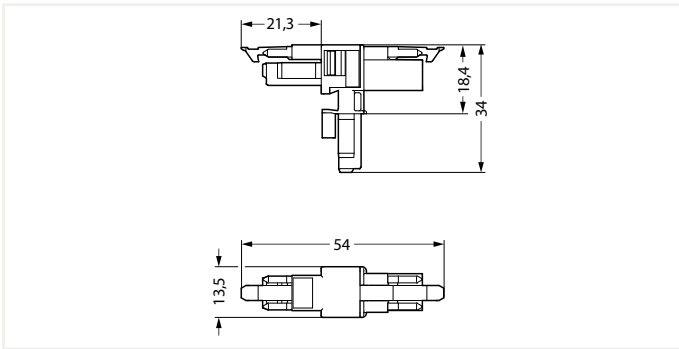
T-distribution connector ▶ Number of locking levers: 3



1

Color	Coding	Marking	Item No.	PU
● black	A	L N	890-1606	25
○ white	A	L N	890-1656	25
● blue	I	+ -	890-1617	25

Color	Coding	Marking	Item No.	PU
● black	A	L N	890-1615	25
○ white	A	L N	890-1665	25
● blue	I	+ -	890-1620	25



PU = Packaging Unit; SPU = Subpackaging Unit; Dimensions in mm

Distribution Connector ▶ WINSTA® MINI ▶ 890 Series

No. of poles: 2

h-distribution connector, unidirectional ▶ Number of locking levers: 2

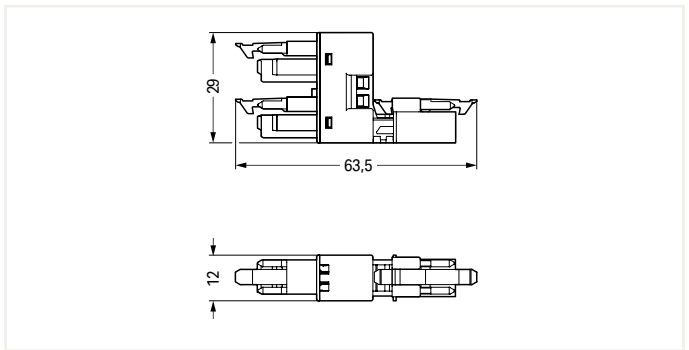
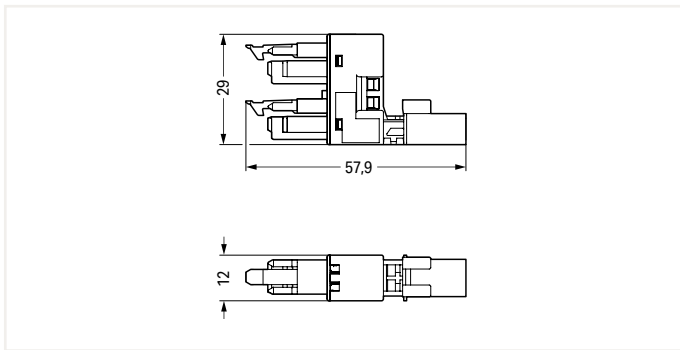
h-distribution connector, unidirectional ▶ Number of locking levers: 3 ▶ for flying leads

1



Color	Coding	Marking	Item No.	PU
● black	A	L N	890-1634	50
○ white	A	L N	890-1684	50

Color	Coding	Marking	Item No.	PU
● black	A	L N	890-1636	50
○ white	A	L N	890-1686	50



Accessories; for all products on this page



Mounting plate; for distribution connector; No. of poles: 2

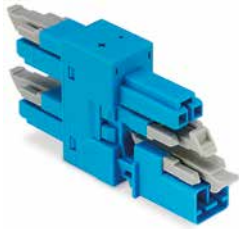
Color	Item No.	PU
● black	890-1622	50
○ white	890-1672	50

PU = Packaging Unit; SPU = Subpackaging Unit; Dimensions in mm

Distribution Connector ▶ WINSTA® MINI ▶ 890 Series

No. of poles: 2

Distribution connector, 3-way



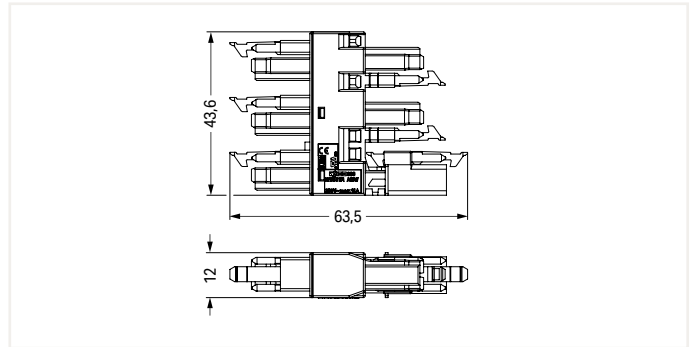
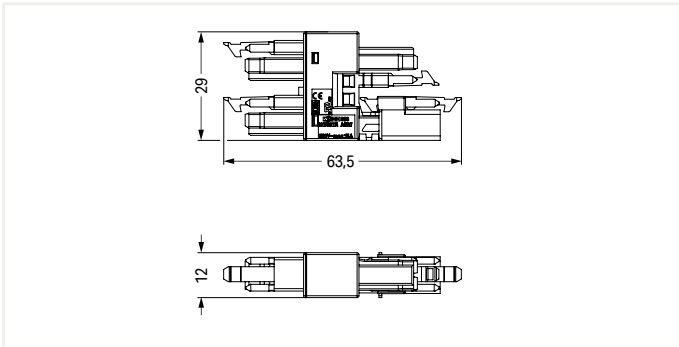
Distribution connector, 5-way



1

Color	Coding	Marking	Item No.	PU
● blue	I	+ -	890-1904	50

Color	Coding	Marking	Item No.	PU
● blue	I	+ -	890-1907	50



Accessories; for all products on this page



Mounting plate; for distribution connector; No. of poles: 2

Color	Item No.	PU
● black	890-1622	50
○ white	890-1672	50

PU = Packaging Unit; SPU = Subpackaging Unit; Dimensions in mm

Cable Assembly ▶ WINSTA® MINI ▶ 891 Series

No. of poles: 2 ▶ Protection class: IP20

1



- Protected against mismatching and maintenance-free
- Push-in CAGE CLAMP® spring pressure connection technology allows solid conductors to be simply pushed into a unit
- Compact design with 4.4 mm pole spacing

Electrical Data

Coding	A			A / I		
Cross section of single conductor	1 mm ²			1.5 mm ²		
Ratings per	IEC/EN 60664-1			IEC/EN 60664-1		
Overtoltage category	III	III	II	III	III	II
Pollution degree	3	2	2	3	2	2
Rated voltage	250 V	-	-	250 V	-	-
Rated impulse voltage	4 kV	-	-	4 kV	-	-
Rated current	10 A	-	-	16 A	-	-
Approvals per	UL 1977			UL 1977		
Rated voltage	600 V			600 V		
Rated current	14 A			14 A		

Material Data

Insulating material	Polyamide 66 (PA 66)
Flammability class per UL94	V0
Contact material	Copper or copper alloy, surface-treated
Reaction to fire class per EN 50575	E _{ca}

Mechanical Data

Mating force of a plug-in connection	approx. 20 ... 70 N (depending on pole number)
Unmating force of a plug-in connection	when unlocked: approx. 20 ... 70 N (depending on pole number)
Retention force of a plug-in connection	when locked: > 80N
Protection class	IP20
Note on protection class	Only in mated condition with strain relief housing (These compact connectors are not designed for use in open, easily accessible areas.)
Mismatching protection	All WINSTA® components are 100 % protected against mismatching in terms of: <ul style="list-style-type: none"> • Plugging a different number of poles • Plugging when rotated by 180° • Plugging when laterally staggered • Plugging one pole

Environmental Requirements

Processing temperature	-5 ... +40 °C
Continuous operating temperature	-35 ... +85 °C
Note on continuous service temperature	PVC cable for temperatures ≤ 70 °C (including halogen-free) Insulating parts for temperatures ≤ 105 °C

Cables with different fire load are available in the eShop

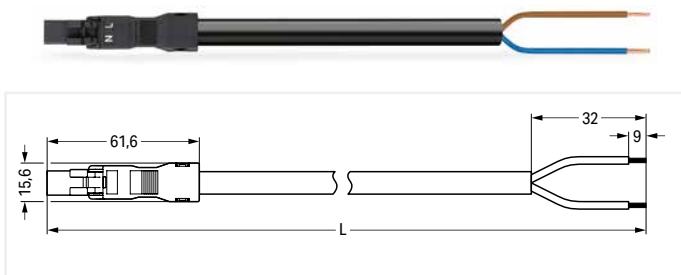
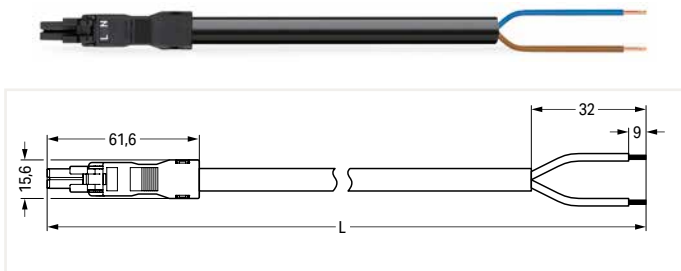
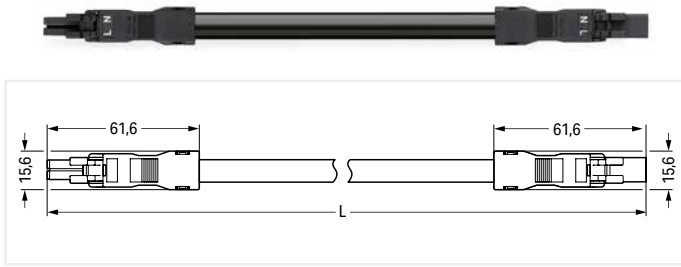
Application note for the U.S. market (USR): Some versions may also be used for current interruption in accordance with the UL certificate in select applications with currents below 5 A and voltages up to 600 V. For further information, please contact your local sales office.

Additional information, see "Technical Section"

Approvals and corresponding ratings, visit www.wago.com

Cable Assembly ▶ WINSTA® MINI ▶ 891 Series

No. of poles: 2 ▶ Protection class: IP20 ▶ 1 mm² ▶ Coding: A ▶ Marking: L N ▶ PVC ▶ Cable diameter: 5.9 ... 7.5 mm ▶ H05VV-F 2x1



Interconnecting cable ▶ Socket - Plug			
Total length	Connector color/Strain relief color		PU
	black/black	white/white	
1 m	891-8992/005-101	891-8992/005-102	1
2 m	891-8992/005-201	891-8992/005-202	1
3 m	891-8992/005-301	891-8992/005-302	1
4 m	891-8992/005-401	891-8992/005-402	1
5 m	891-8992/005-501	891-8992/005-502	1
6 m	891-8992/005-601	891-8992/005-602	1
7 m	891-8992/005-701	891-8992/005-702	1
8 m	891-8992/005-801	891-8992/005-802	1

Connecting cable ▶ Socket - Free end			
Total length	Connector color/Strain relief color		PU
	black/black	white/white	
1 m	891-8992/105-101	891-8992/105-102	1
2 m	891-8992/105-201	891-8992/105-202	1
3 m	891-8992/105-301	891-8992/105-302	1
4 m	891-8992/105-401	891-8992/105-402	1
5 m	891-8992/105-501	891-8992/105-502	1
6 m	891-8992/105-601	891-8992/105-602	1
7 m	891-8992/105-701	891-8992/105-702	1
8 m	891-8992/105-801	891-8992/105-802	1

Connecting cable ▶ Plug - Free end			
Total length	Connector color/Strain relief color		PU
	black/black	white/white	
1 m	891-8992/205-101	891-8992/205-102	1
2 m	891-8992/205-201	891-8992/205-202	1
3 m	891-8992/205-301	891-8992/205-302	1
4 m	891-8992/205-401	891-8992/205-402	1
5 m	891-8992/205-501	891-8992/205-502	1
6 m	891-8992/205-601	891-8992/205-602	1
7 m	891-8992/205-701	891-8992/205-702	1
8 m	891-8992/205-801	891-8992/205-802	1

1

Accessories; for all products on this page



Locking lever; for flying leads; manually operated		
Color	Item No.	PU (SPU)
● black	890-101	100 (50)
○ white	890-121	100 (50)

Locking lever; for flying leads; tool operated		
Color	Item No.	PU (SPU)
● black	890-111	100 (50)
○ white	890-131	100 (50)

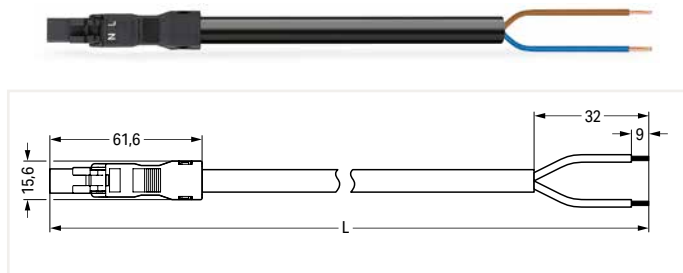
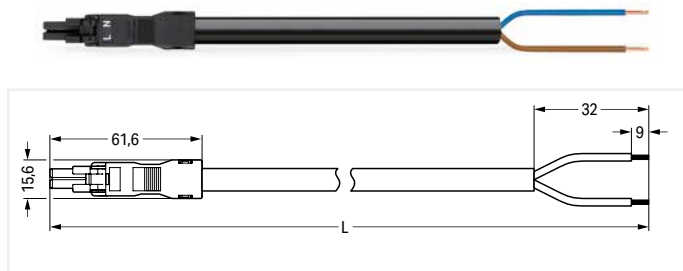
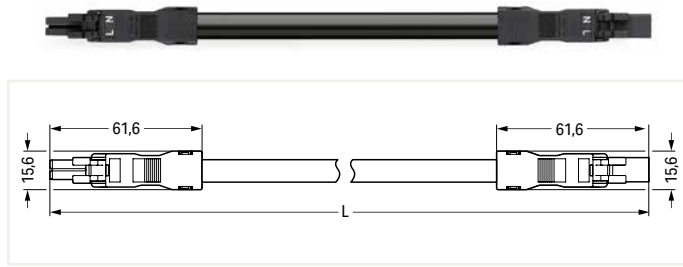
Mounting adapter; for 2- to 5-pole for flying leads		
Color	Item No.	PU
● black	890-310	100
○ white	890-311	100

PU = Packaging Unit; SPU = Subpackaging Unit; Dimensions in mm

Cable Assembly ▶ WINSTA® MINI ▶ 891 Series

No. of poles: 2 ▶ Protection class: IP20 ▶ 1 mm² ▶ Coding: A ▶ Marking: L N ▶ Halogen-free ▶ Cable diameter: 5.9 ... 7.5 mm ▶ H05Z1Z1-F 2x1

1



Interconnecting cable ▶ Socket - Plug			
Total length	Connector color/Strain relief color		PU
	black/black	white/white	
1 m	891-8992/015-101	891-8992/015-102	1
2 m	891-8992/015-201	891-8992/015-202	1
3 m	891-8992/015-301	891-8992/015-302	1
4 m	891-8992/015-401	891-8992/015-402	1
5 m	891-8992/015-501	891-8992/015-502	1
6 m	891-8992/015-601	891-8992/015-602	1
7 m	891-8992/015-701	891-8992/015-702	1
8 m	891-8992/015-801	891-8992/015-802	1

Connecting cable ▶ Socket - Free end			
Total length	Connector color/Strain relief color		PU
	black/black	white/white	
1 m	891-8992/115-101	891-8992/115-102	1
2 m	891-8992/115-201	891-8992/115-202	1
3 m	891-8992/115-301	891-8992/115-302	1
4 m	891-8992/115-401	891-8992/115-402	1
5 m	891-8992/115-501	891-8992/115-502	1
6 m	891-8992/115-601	891-8992/115-602	1
7 m	891-8992/115-701	891-8992/115-702	1
8 m	891-8992/115-801	891-8992/115-802	1

Connecting cable ▶ Plug - Free end			
Total length	Connector color/Strain relief color		PU
	black/black	white/white	
1 m	891-8992/215-101	891-8992/215-102	1
2 m	891-8992/215-201	891-8992/215-202	1
3 m	891-8992/215-301	891-8992/215-302	1
4 m	891-8992/215-401	891-8992/215-402	1
5 m	891-8992/215-501	891-8992/215-502	1
6 m	891-8992/215-601	891-8992/215-602	1
7 m	891-8992/215-701	891-8992/215-702	1
8 m	891-8992/215-801	891-8992/215-802	1

Accessories; for all products on this page



Locking lever; for flying leads; manually operated		
Color	Item No.	PU (SPU)
● black	890-101	100 (50)
○ white	890-121	100 (50)

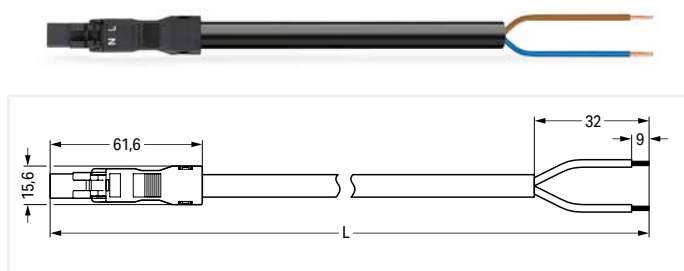
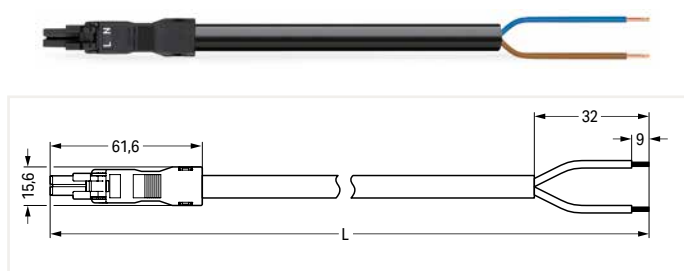
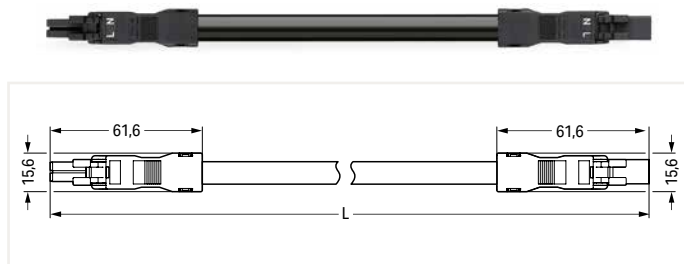
Locking lever; for flying leads; tool operated		
Color	Item No.	PU (SPU)
● black	890-111	100 (50)
○ white	890-131	100 (50)

Mounting adapter; for 2- to 5-pole for flying leads		
Color	Item No.	PU
● black	890-310	100
○ white	890-311	100

PU = Packaging Unit; SPU = Subpackaging Unit; Dimensions in mm

Cable Assembly ▶ WINSTA® MINI ▶ 891 Series

No. of poles: 2 ▶ Protection class: IP20 ▶ 1.5 mm² ▶ Coding: A ▶ Marking: L N ▶ PVC ▶ Cable diameter: 6.8 ... 8.6 mm ▶ H05VV-F 2x1.5



Interconnecting cable ▶ Socket - Plug			
Total length	Connector color/Strain relief color		PU
	black/black	white/white	
1 m	891-8992/006-101	891-8992/006-102	1
2 m	891-8992/006-201	891-8992/006-202	1
3 m	891-8992/006-301	891-8992/006-302	1
4 m	891-8992/006-401	891-8992/006-402	1
5 m	891-8992/006-501	891-8992/006-502	1
6 m	891-8992/006-601	891-8992/006-602	1
7 m	891-8992/006-701	891-8992/006-702	1
8 m	891-8992/006-801	891-8992/006-802	1

Connecting cable ▶ Socket - Free end			
Total length	Connector color/Strain relief color		PU
	black/black	white/white	
1 m	891-8992/106-101	891-8992/106-102	1
2 m	891-8992/106-201	891-8992/106-202	1
3 m	891-8992/106-301	891-8992/106-302	1
4 m	891-8992/106-401	891-8992/106-402	1
5 m	891-8992/106-501	891-8992/106-502	1
6 m	891-8992/106-601	891-8992/106-602	1
7 m	891-8992/106-701	891-8992/106-702	1
8 m	891-8992/106-801	891-8992/106-802	1

Connecting cable ▶ Plug - Free end			
Total length	Connector color/Strain relief color		PU
	black/black	white/white	
1 m	891-8992/206-101	891-8992/206-102	1
2 m	891-8992/206-201	891-8992/206-202	1
3 m	891-8992/206-301	891-8992/206-302	1
4 m	891-8992/206-401	891-8992/206-402	1
5 m	891-8992/206-501	891-8992/206-502	1
6 m	891-8992/206-601	891-8992/206-602	1
7 m	891-8992/206-701	891-8992/206-702	1
8 m	891-8992/206-801	891-8992/206-802	1

1

Accessories; for all products on this page



Locking lever; for flying leads; manually operated		
Color	Item No.	PU (SPU)
● black	890-101	100 (50)
○ white	890-121	100 (50)

Locking lever; for flying leads; tool operated		
Color	Item No.	PU (SPU)
● black	890-111	100 (50)
○ white	890-131	100 (50)

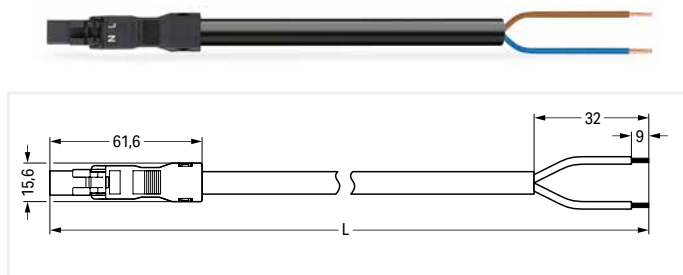
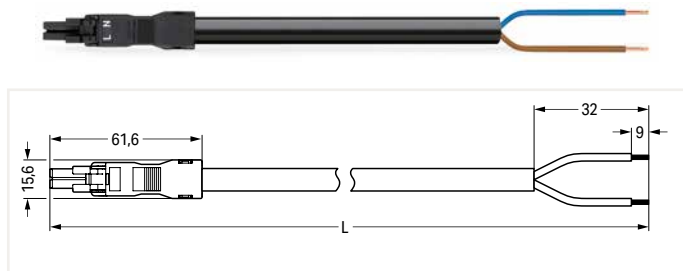
Mounting adapter; for 2- to 5-pole for flying leads		
Color	Item No.	PU
● black	890-310	100
○ white	890-311	100

PU = Packaging Unit; SPU = Subpackaging Unit; Dimensions in mm

Cable Assembly ▶ WINSTA® MINI ▶ 891 Series

No. of poles: 2 ▶ Protection class: IP20 ▶ 1.5 mm² ▶ Coding: A ▶ Marking: L N ▶ Halogen-free ▶ Cable diameter: 6.8 ... 8.6 mm ▶ H05Z1Z1-F 2x1.5

1



Interconnecting cable ▶ Socket - Plug			
Total length	Connector color/Strain relief color		PU
	black/black	white/white	
1 m	891-8992/016-101	891-8992/016-102	1
2 m	891-8992/016-201	891-8992/016-202	1
3 m	891-8992/016-301	891-8992/016-302	1
4 m	891-8992/016-401	891-8992/016-402	1
5 m	891-8992/016-501	891-8992/016-502	1
6 m	891-8992/016-601	891-8992/016-602	1
7 m	891-8992/016-701	891-8992/016-702	1
8 m	891-8992/016-801	891-8992/016-802	1

Connecting cable ▶ Socket - Free end			
Total length	Connector color/Strain relief color		PU
	black/black	white/white	
1 m	891-8992/116-101	891-8992/116-102	1
2 m	891-8992/116-201	891-8992/116-202	1
3 m	891-8992/116-301	891-8992/116-302	1
4 m	891-8992/116-401	891-8992/116-402	1
5 m	891-8992/116-501	891-8992/116-502	1
6 m	891-8992/116-601	891-8992/116-602	1
7 m	891-8992/116-701	891-8992/116-702	1
8 m	891-8992/116-801	891-8992/116-802	1

Connecting cable ▶ Plug - Free end			
Total length	Connector color/Strain relief color		PU
	black/black	white/white	
1 m	891-8992/216-101	891-8992/216-102	1
2 m	891-8992/216-201	891-8992/216-202	1
3 m	891-8992/216-301	891-8992/216-302	1
4 m	891-8992/216-401	891-8992/216-402	1
5 m	891-8992/216-501	891-8992/216-502	1
6 m	891-8992/216-601	891-8992/216-602	1
7 m	891-8992/216-701	891-8992/216-702	1
8 m	891-8992/216-801	891-8992/216-802	1

Accessories; for all products on this page



Locking lever; for flying leads; manually operated		
Color	Item No.	PU (SPU)
● black	890-101	100 (50)
○ white	890-121	100 (50)

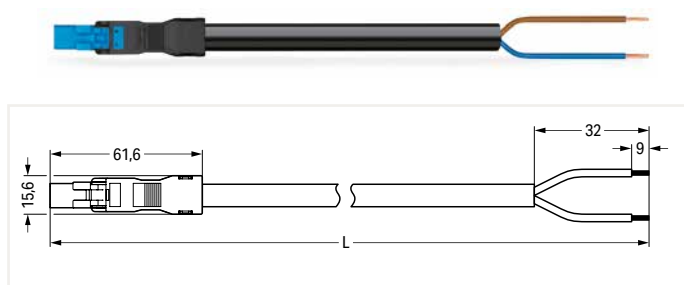
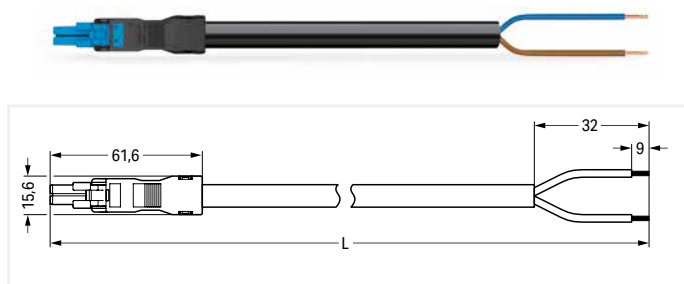
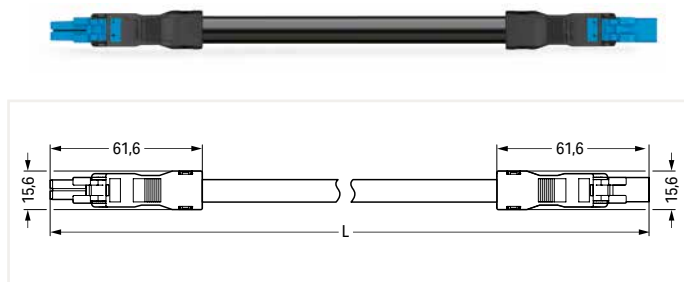
Locking lever; for flying leads; tool operated		
Color	Item No.	PU (SPU)
● black	890-111	100 (50)
○ white	890-131	100 (50)

Mounting adapter; for 2- to 5-pole for flying leads		
Color	Item No.	PU
● black	890-310	100
○ white	890-311	100

PU = Packaging Unit; SPU = Subpackaging Unit; Dimensions in mm

Cable Assembly ▶ WINSTA® MINI ▶ 891 Series

No. of poles: 2 ▶ Protection class: IP20 ▶ 1.5 mm² ▶ Coding: I ▶ Marking: + - ▶ PVC ▶ Cable diameter: 6.8 ... 8.6 mm ▶ H05VV-F 2x1.5



Total length	Connector color/Strain relief color		PU
	blue/black	blue/white	
1 m	891-8982/006-101	891-8982/006-102	1
2 m	891-8982/006-201	891-8982/006-202	1
3 m	891-8982/006-301	891-8982/006-302	1
4 m	891-8982/006-401	891-8982/006-402	1
5 m	891-8982/006-501	891-8982/006-502	1
6 m	891-8982/006-601	891-8982/006-602	1
7 m	891-8982/006-701	891-8982/006-702	1
8 m	891-8982/006-801	891-8982/006-802	1

Total length	Connector color/Strain relief color		PU
	blue/black	blue/white	
1 m	891-8982/106-101	891-8982/106-102	1
2 m	891-8982/106-201	891-8982/106-202	1
3 m	891-8982/106-301	891-8982/106-302	1
4 m	891-8982/106-401	891-8982/106-402	1
5 m	891-8982/106-501	891-8982/106-502	1
6 m	891-8982/106-601	891-8982/106-602	1
7 m	891-8982/106-701	891-8982/106-702	1
8 m	891-8982/106-801	891-8982/106-802	1

Total length	Connector color/Strain relief color		PU
	blue/black	blue/white	
1 m	891-8982/206-101	891-8982/206-102	1
2 m	891-8982/206-201	891-8982/206-202	1
3 m	891-8982/206-301	891-8982/206-302	1
4 m	891-8982/206-401	891-8982/206-402	1
5 m	891-8982/206-501	891-8982/206-502	1
6 m	891-8982/206-601	891-8982/206-602	1
7 m	891-8982/206-701	891-8982/206-702	1
8 m	891-8982/206-801	891-8982/206-802	1

1

Accessories; for all products on this page



Locking lever; for flying leads; manually operated		
Color	Item No.	PU (SPU)
● black	890-101	100 (50)
○ white	890-121	100 (50)

Locking lever; for flying leads; tool operated		
Color	Item No.	PU (SPU)
● black	890-111	100 (50)
○ white	890-131	100 (50)

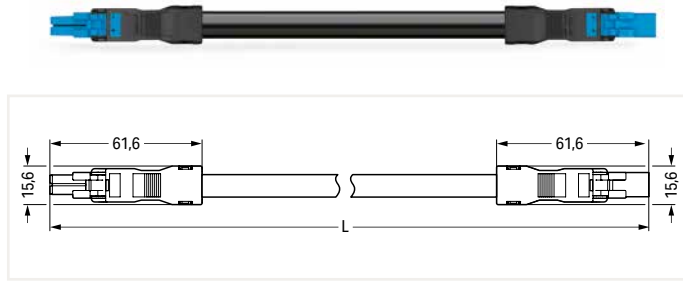
Mounting adapter; for 2- to 5-pole for flying leads		
Color	Item No.	PU
● black	890-310	100
○ white	890-311	100

PU = Packaging Unit; SPU = Subpackaging Unit; Dimensions in mm

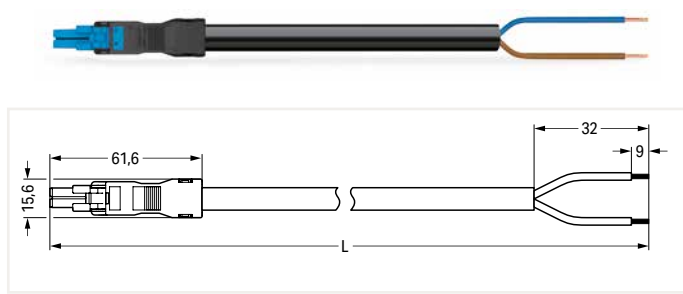
Cable Assembly ▶ WINSTA® MINI ▶ 891 Series

No. of poles: 2 ▶ Protection class: IP20 ▶ 1.5 mm² ▶ Coding: I ▶ Marking: + - ▶ Halogen-free ▶ Cable diameter: 6.8 ... 8.6 mm ▶ H05Z1Z1-F 2x1.5

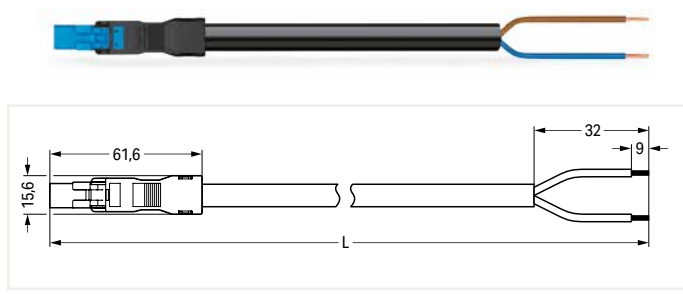
1



Interconnecting cable ▶ Socket - Plug			
Total length	Connector color/Strain relief color		PU
	blue/black	blue/white	
1 m	891-8982/016-101	891-8982/016-102	1
2 m	891-8982/016-201	891-8982/016-202	1
3 m	891-8982/016-301	891-8982/016-302	1
4 m	891-8982/016-401	891-8982/016-402	1
5 m	891-8982/016-501	891-8982/016-502	1
6 m	891-8982/016-601	891-8982/016-602	1
7 m	891-8982/016-701	891-8982/016-702	1
8 m	891-8982/016-801	891-8982/016-802	1



Connecting cable ▶ Socket - Free end			
Total length	Connector color/Strain relief color		PU
	blue/black	blue/white	
1 m	891-8982/116-101	891-8982/116-102	1
2 m	891-8982/116-201	891-8982/116-202	1
3 m	891-8982/116-301	891-8982/116-302	1
4 m	891-8982/116-401	891-8982/116-402	1
5 m	891-8982/116-501	891-8982/116-502	1
6 m	891-8982/116-601	891-8982/116-602	1
7 m	891-8982/116-701	891-8982/116-702	1
8 m	891-8982/116-801	891-8982/116-802	1



Connecting cable ▶ Plug - Free end			
Total length	Connector color/Strain relief color		PU
	blue/black	blue/white	
1 m	891-8982/216-101	891-8982/216-102	1
2 m	891-8982/216-201	891-8982/216-202	1
3 m	891-8982/216-301	891-8982/216-302	1
4 m	891-8982/216-401	891-8982/216-402	1
5 m	891-8982/216-501	891-8982/216-502	1
6 m	891-8982/216-601	891-8982/216-602	1
7 m	891-8982/216-701	891-8982/216-702	1
8 m	891-8982/216-801	891-8982/216-802	1

Accessories; for all products on this page



Locking lever; for flying leads; manually operated		
Color	Item No.	PU (SPU)
● black	890-101	100 (50)
○ white	890-121	100 (50)

Locking lever; for flying leads; tool operated		
Color	Item No.	PU (SPU)
● black	890-111	100 (50)
○ white	890-131	100 (50)

Mounting adapter; for 2- to 5-pole for flying leads		
Color	Item No.	PU
● black	890-310	100
○ white	890-311	100

PU = Packaging Unit; SPU = Subpackaging Unit; Dimensions in mm

Pluggable Connector ▶ WINSTA® MINI ▶ 890 Series

No. of poles: 3

1



- Protected against mismatching and maintenance-free
- Push-in CAGE CLAMP® spring pressure connection technology allows solid conductors to be simply pushed into a unit
- Compact design with 4.4 mm pole spacing

Electrical Data			
Coding	A		
Ratings per	IEC/EN 60664-1		
Overvoltage category	III	III	II
Pollution degree	3	2	2
Rated voltage	250 V	-	-
Rated impulse voltage	4 kV	-	-
Rated current	16 A	-	-
Approvals per	UL 1977		
Rated voltage	600 V		
Rated current	14 A		

Connection Data	
Connection technology	Push-in CAGE CLAMP®
Strip length	9 mm / 0.35 Inch
Nominal cross section	1.5 mm ²
Solid conductor	0.25 ... 1.5 mm ² / 22 ... 16 AWG
Solid conductor, push-in termination	0.75 ... 1.5 mm ² / 20 ... 16 AWG
Stranded conductor	0.25 ... 1 mm ² / 22 ... 18 AWG
Fine-stranded conductor	0.25 ... 1.5 mm ² / 22 ... 16 AWG
Fine-stranded conductor with ferrule with plastic collar	0.25 ... 0.75 mm ² / 22 ... 20 AWG
Fine-stranded conductor with ferrule without plastic collar	0.25 ... 0.75 mm ² / 22 ... 20 AWG
Fine-stranded conductor with ferrule, push-in termination, from	0.75 mm ² / 20 AWG

Material Data	
Insulating material	Polyamide 66 (PA 66)
Flammability class per UL94	V0
Clamping spring material	Chrome nickel spring steel (CrNi)
Contact material	Copper or copper alloy, surface-treated

Mechanical Data	
Mating force of a plug-in connection	Approx. 20 ... 70 N (depending on pole number)
Unmating force of a plug-in connection	When unlocked: approx. 20 ... 70 N (depending on pole number)
Retention force of a plug-in connection	When locked: > 80 N
Protection class	IP20
Note on protection class	Only in mated condition with strain relief housing (These compact connectors are not designed for use in open, easily accessible areas.)
Mismatching protection	All WINSTA® components are 100 % protected against mismatching in terms of: <ul style="list-style-type: none"> • Plugging a different number of poles • Plugging when rotated by 180° • Plugging when laterally staggered • Plugging one pole

Environmental Requirements	
Processing temperature	-5 ... +40 °C
Continuous operating temperature	-35 ... +85 °C
Note on continuous service temperature	Insulating parts for temperatures ≤ 105 °C

All connectors for mounted installations (snap-in versions for lighting fixtures or devices, all types of PCB and distribution connectors) are factory-equipped with locking levers to ensure plugs and sockets are securely locked. Additional locking levers are only required for flying leads (plug/socket).

Application note for the U.S. market (USR): Some versions may also be used for current interruption in accordance with the UL certificate in select applications with currents below 5 A and voltages up to 600 V. For further information, please contact your local sales office.

Shield connection	Page 481
Tools	Page 506
Additional information, see "Technical Section"	
Approvals and corresponding ratings, visit www.wago.com	

Pluggable Connector ▶ WINSTA® MINI ▶ 890 Series

No. of poles: 3 ▶ Cable diameter: 4.5 ... 10 mm

Female connector/socket ▶ Strip length: 40 mm

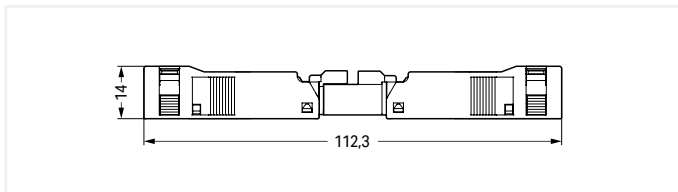
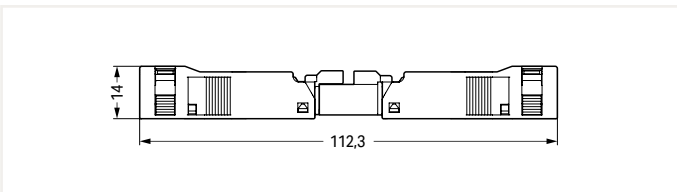
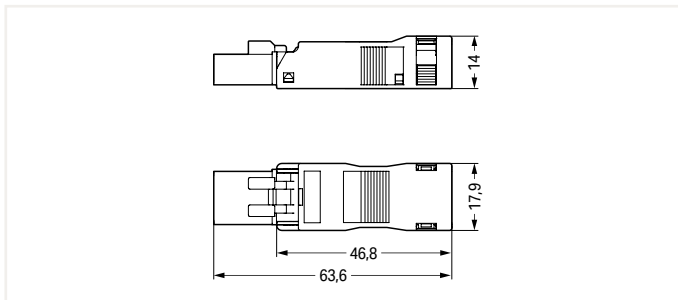
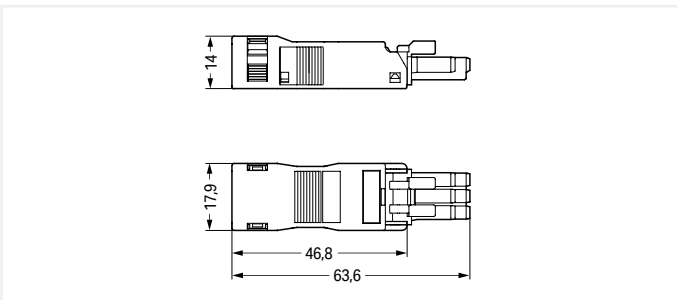
Male connector/plug ▶ Strip length: 40 mm



1

Color	Coding	Marking	Item No.	PU
● black	A	L ⊕ N	890-103	50
○ white	A	L ⊕ N	890-123	50

Color	Coding	Marking	Item No.	PU
● black	A	L ⊕ N	890-113	50
○ white	A	L ⊕ N	890-133	50



Overall length when mated

Overall length when mated

Accessories; for all products on this page



Locking lever; for flying leads; manually operated		
Color	Item No.	PU (SPU)
● black	890-101	100 (50)
○ white	890-121	100 (50)

Locking lever; for flying leads; tool operated		
Color	Item No.	PU (SPU)
● black	890-111	100 (50)
○ white	890-131	100 (50)

Mounting adapter; for 2- to 5-pole for flying leads		
Color	Item No.	PU
● black	890-310	100
○ white	890-311	100



Operating tool; for WINSTA® MINI connectors; No. of poles: 3		
Item No.	PU	
890-383	1	

PU = Packaging Unit; SPU = Subpackaging Unit; Dimensions in mm

Pluggable Connector ▶ WINSTA® MINI ▶ 890 Series

No. of poles: 3

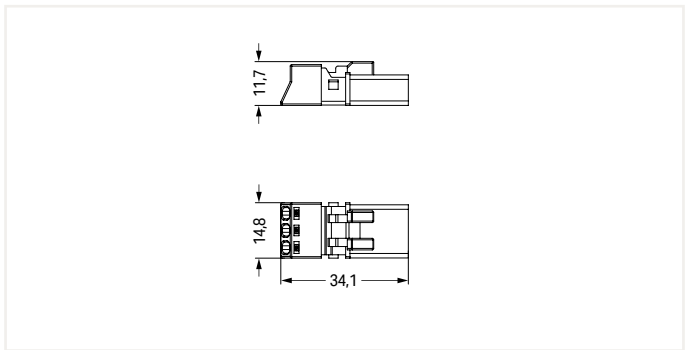
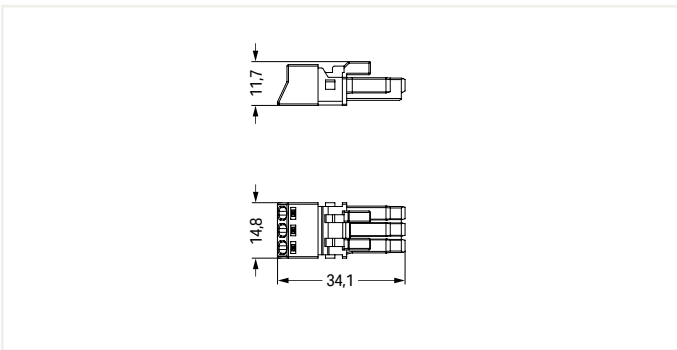
Female connector/socket

Male connector/plug



Color	Coding	Marking	Item No.	PU
● black	A	L ⊕ N	890-203	50
○ white	A	L ⊕ N	890-223	50

Color	Coding	Marking	Item No.	PU
● black	A	L ⊕ N	890-213	50
○ white	A	L ⊕ N	890-233	50



Accessories; for all products on this page



Locking lever; for flying leads; manually operated		
Color	Item No.	PU (SPU)
● black	890-101	100 (50)
○ white	890-121	100 (50)



Locking lever; for flying leads; tool operated		
Color	Item No.	PU (SPU)
● black	890-111	100 (50)
○ white	890-131	100 (50)



Mounting adapter; for 2- to 5-pole for flying leads		
Color	Item No.	PU
● black	890-310	100
○ white	890-311	100



Operating tool; for WINSTA® MINI connectors; No. of poles: 3		
Item No.	PU	
890-383	1	



Strain relief housing; Connectable sheathed cable diameter: 4.5 ... 10 mm; Strip length: 40 mm		
Color	Item No.	PU
● black	890-503	50
○ white	890-513	50

PU = Packaging Unit; SPU = Subpackaging Unit; Dimensions in mm

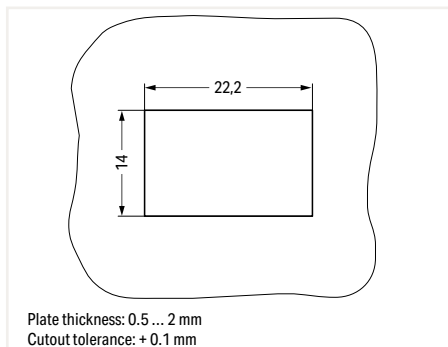
Snap-In Device Connector ▶ WINSTA® MINI ▶ 890 Series

No. of poles: 3

1



- Protected against mismatching and maintenance-free
- Push-in CAGE CLAMP® spring pressure connection technology allows solid conductors to be simply pushed into a unit
- Compact design with 4.4 mm pole spacing



Electrical Data			
Coding	A		
Ratings per	IEC/EN 60664-1		
Overvoltage category	III	III	II
Pollution degree	3	2	2
Rated voltage	250 V	-	-
Rated impulse voltage	4 kV	-	-
Rated current	16 A	-	-
Approvals per	UL 1977		
Rated voltage	600 V		
Rated current	14 A		

Connection Data	
Connection technology	Push-in CAGE CLAMP®
Strip length	9 mm / 0.35 Inch
Nominal cross section	1.5 mm ²
Solid conductor	0.25 ... 1.5 mm ² / 22 ... 16 AWG
Solid conductor, push-in termination	0.75 ... 1.5 mm ² / 20 ... 16 AWG
Stranded conductor	0.25 ... 1 mm ² / 22 ... 18 AWG
Fine-stranded conductor	0.25 ... 1.5 mm ² / 22 ... 16 AWG
Fine-stranded conductor with ferrule with plastic collar	0.25 ... 0.75 mm ² / 22 ... 20 AWG
Fine-stranded conductor with ferrule without plastic collar	0.25 ... 0.75 mm ² / 22 ... 20 AWG
Fine-stranded conductor with ferrule, push-in termination, from	0.75 mm ² / 20 AWG

Material Data	
Insulating material	Polyamide 66 (PA 66)
Flammability class per UL94	V0
Clamping spring material	Chrome nickel spring steel (CrNi)
Contact material	Copper or copper alloy, surface-treated

Mechanical Data	
Mating force of a plug-in connection	Approx. 20 ... 70 N (depending on pole number)
Unmating force of a plug-in connection	When unlocked: approx. 20 ... 70 N (depending on pole number)
Retention force of a plug-in connection	When locked: > 80 N
Protection class	IP20
Note on protection class	Only in mated condition with strain relief housing (These compact connectors are not designed for use in open, easily accessible areas.)
Mismatching protection	All WINSTA® components are 100 % protected against mismatching in terms of: <ul style="list-style-type: none"> • Plugging a different number of poles • Plugging when rotated by 180° • Plugging when laterally staggered • Plugging one pole

Environmental Requirements	
Processing temperature	-5 ... +40 °C
Continuous operating temperature	-35 ... +85 °C
Note on continuous service temperature	Insulating parts for temperatures ≤ 105 °C

All connectors for mounted installations (snap-in versions for lighting fixtures or devices, all types of PCB and distribution connectors) are factory-equipped with locking levers to ensure plugs and sockets are securely locked. Additional locking levers are only required for flying leads (plug/socket).

Application note for the U.S. market (USR): Some versions may also be used for current interruption in accordance with the UL certificate in select applications with currents below 5 A and voltages up to 600 V. For further information, please contact your local sales office.

Tools Page 506

Additional information, see "Technical Section"

Approvals and corresponding ratings, visit www.wago.com

Snap-In Device Connector ▶ WINSTA® MINI ▶ 890 Series

No. of poles: 3

Female connector/socket

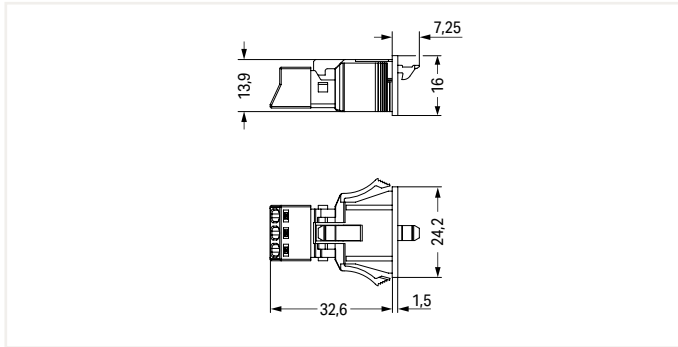
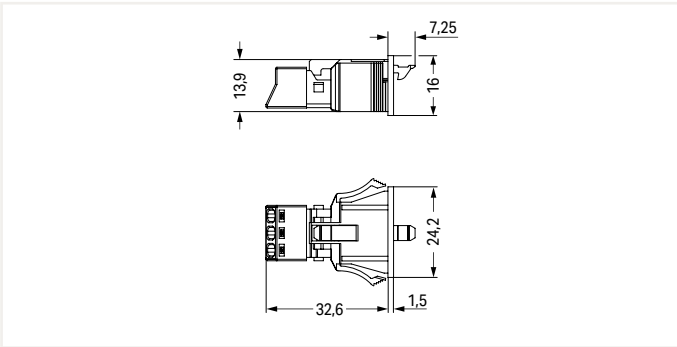
Male connector/plug



1

Color	Coding	Marking	Item No.	PU (SPU)
● black	A	L ⊕ N	890-703	50 (50)
○ white	A	L ⊕ N	890-723	50 (50)

Color	Coding	Marking	Item No.	PU (SPU)
● black	A	L ⊕ N	890-713	50 (50)
○ white	A	L ⊕ N	890-733	50 (50)



Accessories; for all products on this page



Operating tool; for WINSTA® MINI connectors; No. of poles: 3		
Item No.	PU	
890-383	1	

Lockout cap; for cutout; No. of poles: 3		
Color	Item No.	PU
● black	890-643	100
○ white	890-693	100

PU = Packaging Unit; SPU = Subpackaging Unit; Dimensions in mm

Pluggable PCB Connector ▶ WINSTA® MINI ▶ 890 Series

No. of poles: 3

1



- Protected against mismatching and maintenance-free
- Push-in CAGE CLAMP® spring pressure connection technology allows solid conductors to be simply pushed into a unit
- Compact design with 4.4 mm pole spacing

Electrical Data

Coding	A		
Ratings per	IEC/EN 60664-1		
Overvoltage category	III	III	II
Pollution degree	3	2	2
Rated voltage	250 V	-	-
Rated impulse voltage	4 kV	-	-
Rated current	16 A	-	-
Approvals per	UL 1977		
Rated voltage	600 V		
Rated current	14 A		

Material Data

Insulating material	Polyamide 66 (PA 66)
Flammability class per UL94	V0
Contact material	Copper or copper alloy, surface-treated

Mechanical Data

Solder pin arrangement	2 in-line solder pins/pole
Solder pin length	3.5 mm
Solder pin dimensions	1 x 0.8 mm
Drilled hole diameter (tolerance)	1.3 ^(+0.1) mm
Mating force of a plug-in connection	Approx. 20 ... 70 N (depending on pole number)
Unmating force of a plug-in connection	When unlocked: approx. 20 ... 70 N (depending on pole number)
Retention force of a plug-in connection	When locked: > 80 N
Protection class	IP20
Note on protection class	Only in mated condition with strain relief housing (These compact connectors are not designed for use in open, easily accessible areas.)
Mismatching protection	All WINSTA® components are 100 % protected against mismatching in terms of: <ul style="list-style-type: none"> • Plugging a different number of poles • Plugging when rotated by 180° • Plugging when laterally staggered • Plugging one pole

Environmental Requirements

Processing temperature	-5 ... +40 °C
Continuous operating temperature	-35 ... +85 °C
Note on continuous service temperature	Insulating parts for temperatures ≤ 105 °C

All connectors for mounted installations (snap-in versions for lighting fixtures or devices, all types of PCB and distribution connectors) are factory-equipped with locking levers to ensure plugs and sockets are securely locked. Additional locking levers are only required for flying leads (plug/socket).

Application note for the U.S. market (USR): Some versions may also be used for current interruption in accordance with the UL certificate in select applications with currents below 5 A and voltages up to 600 V. For further information, please contact your local sales office.

Additional information, see "Technical Section"

Approvals and corresponding ratings, visit www.wago.com

Pluggable PCB Connector ▶ WINSTA® MINI ▶ 890 Series

No. of poles: 3

Straight ▶ Female connector/socket

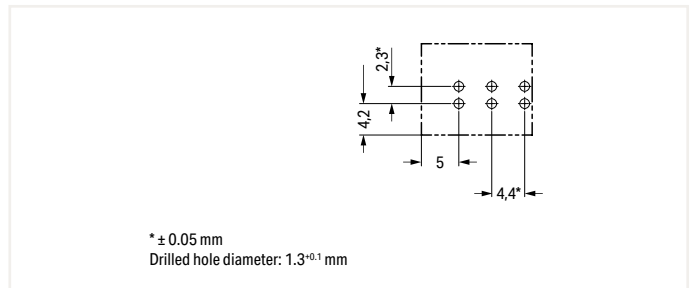
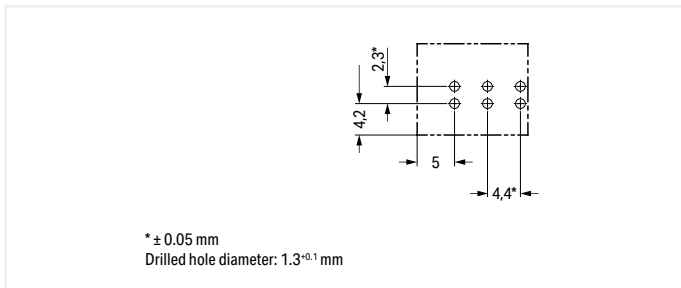
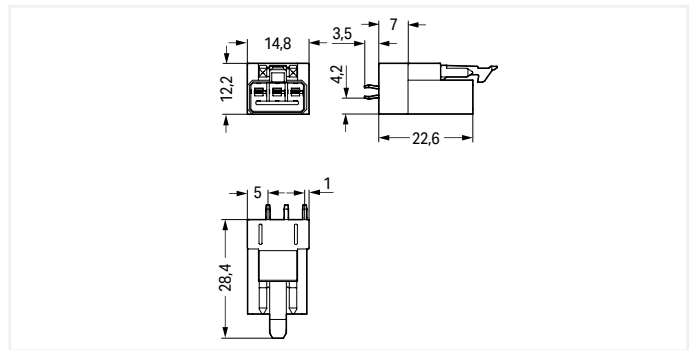
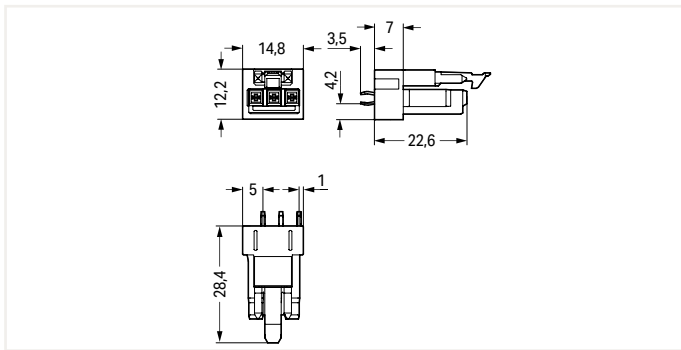
Straight ▶ Male connector/plug



1

Color	Coding	Marking	Item No.	PU
● black	A	L ⊕ N	890-803	100
○ white	A	L ⊕ N	890-823	100

Color	Coding	Marking	Item No.	PU
● black	A	L ⊕ N	890-813	100
○ white	A	L ⊕ N	890-833	100



Pluggable PCB Connector ▶ WINSTA® MINI ▶ 890 Series

No. of poles: 3

Angled ▶ Female connector/socket

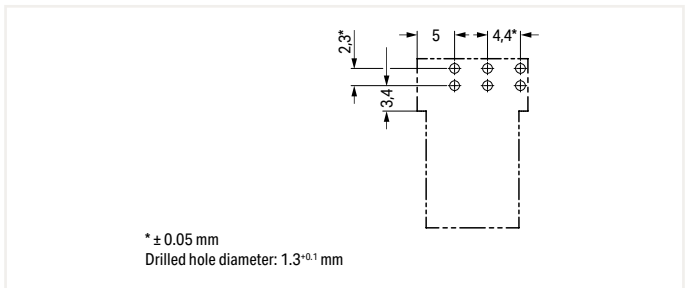
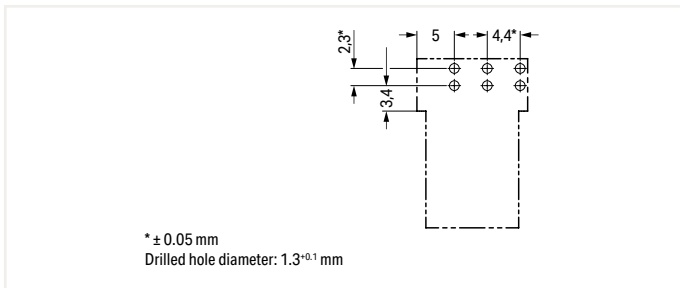
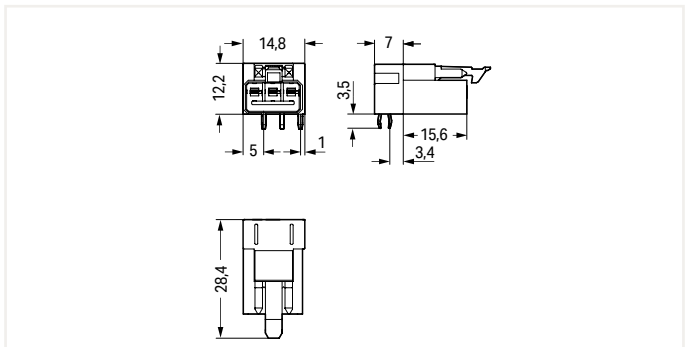
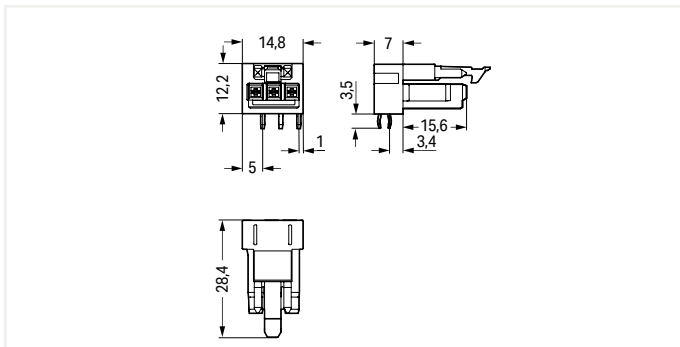
Angled ▶ Male connector/plug

1



Color	Coding	Marking	Item No.	PU
● black	A	L ⊕ N	890-803/011-000	100
○ white	A	L ⊕ N	890-823/011-000	100

Color	Coding	Marking	Item No.	PU
● black	A	L ⊕ N	890-813/011-000	100
○ white	A	L ⊕ N	890-833/011-000	100



Distribution Connector ▶ WINSTA® MINI ▶ 890 Series

No. of poles: 3

1



- Protected against mismatching and maintenance-free
- Push-in CAGE CLAMP® spring pressure connection technology allows solid conductors to be simply pushed into a unit
- Compact design with 4.4 mm pole spacing

Electrical Data			
Coding	A		
Ratings per	IEC/EN 60664-1		
Overvoltage category	III	III	II
Pollution degree	3	2	2
Rated voltage	250 V	-	-
Rated impulse voltage	4 kV	-	-
Rated current	16 A	-	-
Approvals per	UL 1977		
Rated voltage	600 V		
Rated current	14 A		

Material Data	
Insulating material	Polyamide 66 (PA 66)
Flammability class per UL94	V0
Contact material	Copper or copper alloy, surface-treated

Mechanical Data	
Mating force of a plug-in connection	Approx. 20 ... 70 N (depending on pole number)
Unmating force of a plug-in connection	When unlocked: approx. 20 ... 70 N (depending on pole number)
Retention force of a plug-in connection	When locked: > 80 N
Protection class	IP20
Note on protection class	Only in mated condition (These compact connectors are not designed for use in open, easily accessible areas.)
Mismatching protection	All WINSTA® components are 100 % protected against mismatching in terms of: <ul style="list-style-type: none"> • Plugging a different number of poles • Plugging when rotated by 180° • Plugging when laterally staggered • Plugging one pole

Environmental Requirements	
Processing temperature	-5 ... +40 °C
Continuous operating temperature	-35 ... +85 °C
Note on continuous service temperature	Insulating parts for temperatures ≤ 105 °C

All connectors for mounted installations (snap-in versions for lighting fixtures or devices, all types of PCB and distribution connectors) are factory-equipped with locking levers to ensure plugs and sockets are securely locked. Additional locking levers are only required for flying leads (plug/socket).

Application note for the U.S. market (USR): Some versions may also be used for current interruption in accordance with the UL certificate in select applications with currents below 5 A and voltages up to 600 V. For further information, please contact your local sales office.

Additional information, see "Technical Section"

Approvals and corresponding ratings, visit www.wago.com

Distribution Connector ▶ WINSTA® MINI ▶ 890 Series

No. of poles: 3

Intermediate coupler

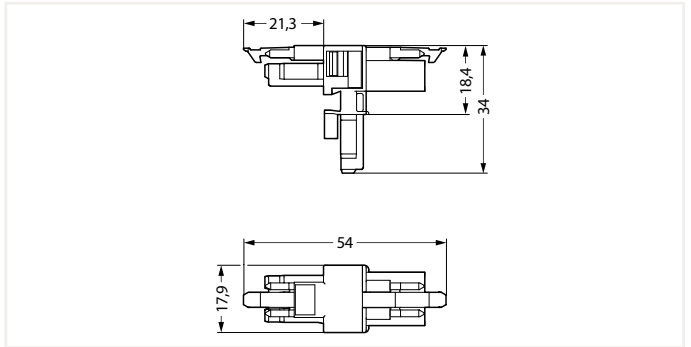
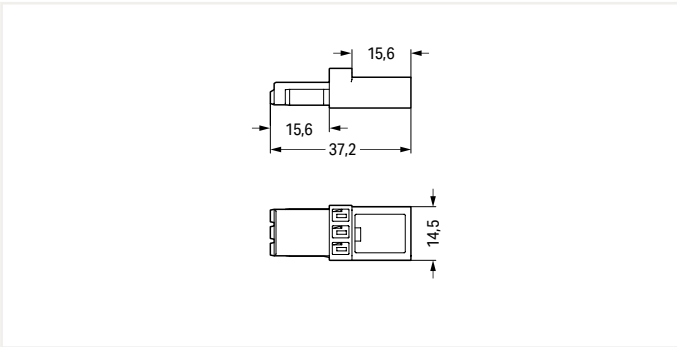
T-distribution connector ▶ Number of locking levers: 2



1

Color	Coding	Aufdruck	Item No.	PU
● black	A		890-603	50
○	A		890-653	50

Color	Coding	Marking	Item No.	PU
● black	A	L ⊕ N	890-606	25
○ white	A	L ⊕ N	890-656	25



PU = Packaging Unit; SPU = Subpackaging Unit; Dimensions in mm

Distribution Connector ▶ WINSTA® MINI ▶ 890 Series

No. of poles: 3

T-distribution connector ▶ Number of locking levers: 3

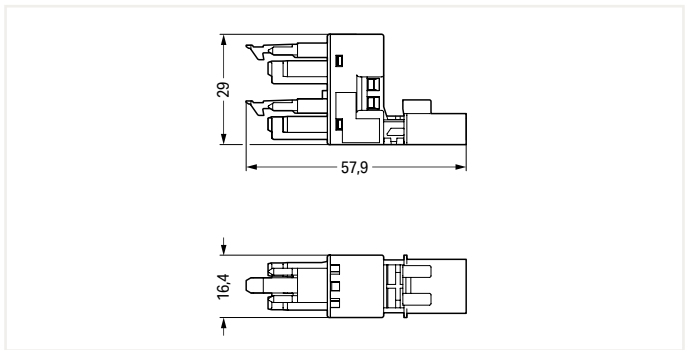
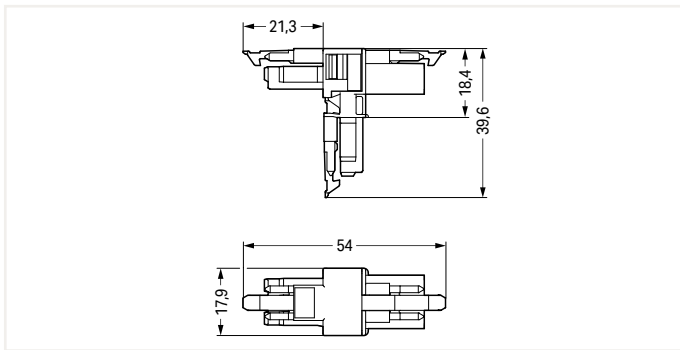
h-distribution connector, unidirectional ▶ Number of locking levers: 2

1



Color	Coding	Marking	Item No.	PU
● black	A	L ⊕ N	890-615	25
○ white	A	L ⊕ N	890-665	25

Color	Coding	Marking	Item No.	PU
● black	A	L ⊕ N	890-634	50
○ white	A	L ⊕ N	890-684	50



Item-Specific Accessories



Mounting plate; for distribution connector; No. of poles: 3		
Color	Item No.	PU
● black	890-623	50
○ white	890-673	50

Distribution Connector ▶ WINSTA® MINI ▶ 890 Series

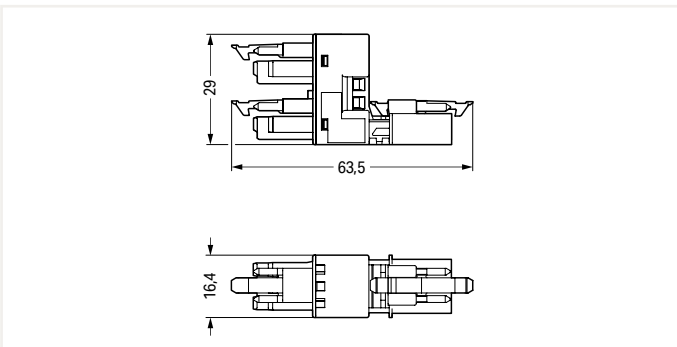
No. of poles: 3

h-distribution connector, unidirectional ▶ Number of locking levers: 3 ▶ for flying leads



Fig. similar

Color	Coding	Marking	Item No.	PU
● black	A	L ⊕ N	890-636	50
○ white	A	L ⊕ N	890-686	50



Accessories; for all products on this page



Mounting plate; for distribution connector; No. of poles:
3

Color	Item No.	PU
● black	890-623	50
○ white	890-673	50

PU = Packaging Unit; SPU = Subpackaging Unit; Dimensions in mm

Cable Assembly ▶ WINSTA® MINI ▶ 891 Series

No. of poles: 3 ▶ Protection class: IP20 ▶ Coding: A ▶ Marking: L ⊕ N

1



- Protected against mismatching and maintenance-free
- Push-in CAGE CLAMP® spring pressure connection technology allows solid conductors to be simply pushed into a unit
- Compact design with 4.4 mm pole spacing

Electrical Data

Coding	A			A		
Cross section of single conductor	1 mm ²			1.5 mm ²		
Ratings per	IEC/EN 60664-1			IEC/EN 60664-1		
Oversvoltage category	III	III	II	III	III	II
Pollution degree	3	2	2	3	2	2
Rated voltage	250 V	-	-	250 V	-	-
Rated impulse voltage	4 kV	-	-	4 kV	-	-
Rated current	10 A	-	-	16 A	-	-
Approvals per	UL 1977			UL 1977		
Rated voltage	600 V			600 V		
Rated current	14 A			14 A		

Material Data

Insulating material	Polyamide 66 (PA 66)
Flammability class per UL94	V0
Contact material	Copper or copper alloy, surface-treated
Reaction to fire class per EN 50575	E _{ca}

Mechanical Data

Mating force of a plug-in connection	approx. 20 ... 70 N (depending on pole number)
Unmating force of a plug-in connection	when unlocked: approx. 20 ... 70 N (depending on pole number)
Retention force of a plug-in connection	when locked: > 80N
Protection class	IP20
Note on protection class	Only in mated condition with strain relief housing (These compact connectors are not designed for use in open, easily accessible areas.)
Mismatching protection	All WINSTA® components are 100 % protected against mismatching in terms of: <ul style="list-style-type: none"> • Plugging a different number of poles • Plugging when rotated by 180° • Plugging when laterally staggered • Plugging one pole

Environmental Requirements

Processing temperature	-5 ... +40 °C
Continuous operating temperature	-35 ... +85 °C
Note on continuous service temperature	PVC cable for temperatures ≤ 70 °C (including halogen-free) Insulating parts for temperatures ≤ 105 °C

Cables with different fire load are available in the eShop

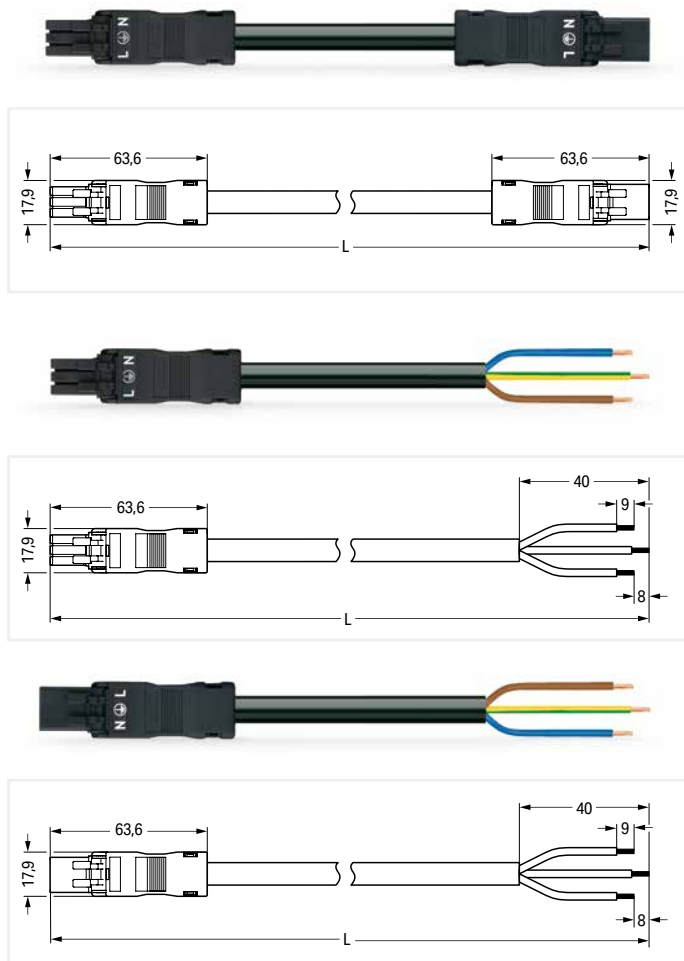
Application note for the U.S. market (USR): Some versions may also be used for current interruption in accordance with the UL certificate in select applications with currents below 5 A and voltages up to 600 V. For further information, please contact your local sales office.

Additional information, see "Technical Section"

Approvals and corresponding ratings, visit www.wago.com

Cable Assembly ▶ WINSTA® MINI ▶ 891 Series

No. of poles: 3 ▶ Protection class: IP20 ▶ Coding: A ▶ Marking: L ⊕ N ▶ 1 mm² ▶ PVC ▶ Cable diameter: 6.3 ... 8 mm ▶ H05VV-F 3G1



Total length	Connector color/Strain relief color		PU
	black/black	white/white	
1 m	891-8993/005-101	891-8993/005-102	1
2 m	891-8993/005-201	891-8993/005-202	1
3 m	891-8993/005-301	891-8993/005-302	1
4 m	891-8993/005-401	891-8993/005-402	1
5 m	891-8993/005-501	891-8993/005-502	1
6 m	891-8993/005-601	891-8993/005-602	1
7 m	891-8993/005-701	891-8993/005-702	1
8 m	891-8993/005-801	891-8993/005-802	1

Total length	Connector color/Strain relief color		PU
	black/black	white/white	
1 m	891-8993/105-101	891-8993/105-102	1
2 m	891-8993/105-201	891-8993/105-202	1
3 m	891-8993/105-301	891-8993/105-302	1
4 m	891-8993/105-401	891-8993/105-402	1
5 m	891-8993/105-501	891-8993/105-502	1
6 m	891-8993/105-601	891-8993/105-602	1
7 m	891-8993/105-701	891-8993/105-702	1
8 m	891-8993/105-801	891-8993/105-802	1

Total length	Connector color/Strain relief color		PU
	black/black	white/white	
1 m	891-8993/205-101	891-8993/205-102	1
2 m	891-8993/205-201	891-8993/205-202	1
3 m	891-8993/205-301	891-8993/205-302	1
4 m	891-8993/205-401	891-8993/205-402	1
5 m	891-8993/205-501	891-8993/205-502	1
6 m	891-8993/205-601	891-8993/205-602	1
7 m	891-8993/205-701	891-8993/205-702	1
8 m	891-8993/205-801	891-8993/205-802	1

Accessories; for all products on this page



Locking lever; for flying leads; manually operated		
Color	Item No.	PU (SPU)
● black	890-101	100 (50)
○ white	890-121	100 (50)

Locking lever; for flying leads; tool operated		
Color	Item No.	PU (SPU)
● black	890-111	100 (50)
○ white	890-131	100 (50)

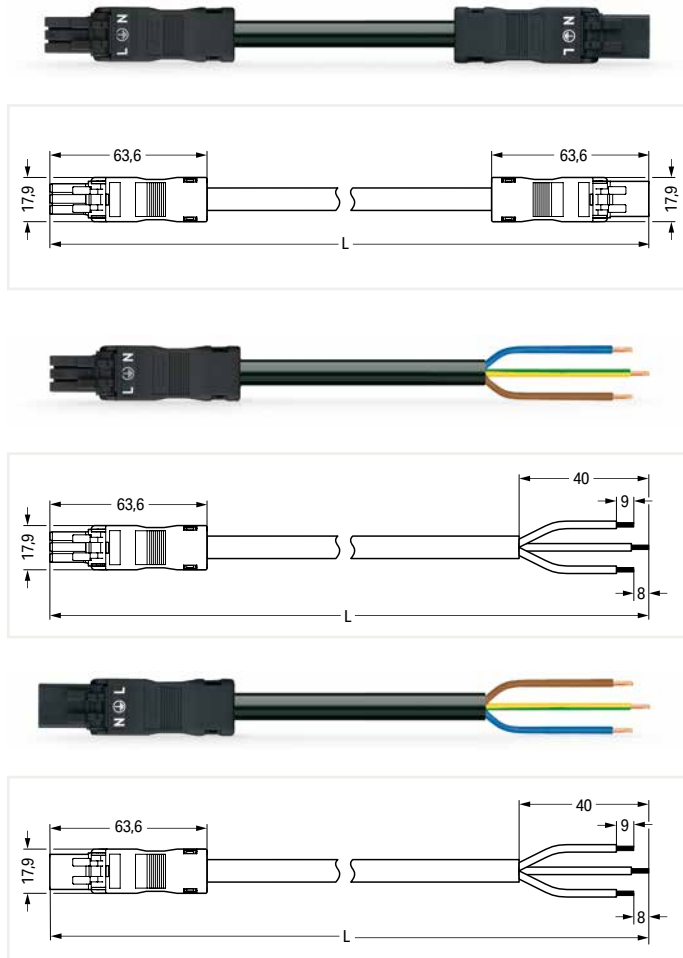
Mounting adapter; for 2- to 5-pole for flying leads		
Color	Item No.	PU
● black	890-310	100
○ white	890-311	100

PU = Packaging Unit; SPU = Subpackaging Unit; Dimensions in mm

Cable Assembly ▶ WINSTA® MINI ▶ 891 Series

No. of poles: 3 ▶ Protection class: IP20 ▶ Coding: A ▶ Marking: L ⊕ N ▶ 1 mm² ▶ Halogen-free ▶ Cable diameter: 6.3 ... 8 mm ▶ H05Z1Z1-F 3G1

1



Interconnecting cable ▶ Socket - Plug			
Total length	Connector color/Strain relief color		PU
	black/black	white/white	
1 m	891-8993/015-101	891-8993/015-102	1
2 m	891-8993/015-201	891-8993/015-202	1
3 m	891-8993/015-301	891-8993/015-302	1
4 m	891-8993/015-401	891-8993/015-402	1
5 m	891-8993/015-501	891-8993/015-502	1
6 m	891-8993/015-601	891-8993/015-602	1
7 m	891-8993/015-701	891-8993/015-702	1
8 m	891-8993/015-801	891-8993/015-802	1

Connecting cable ▶ Socket - Free end			
Total length	Connector color/Strain relief color		PU
	black/black	white/white	
1 m	891-8993/115-101	891-8993/115-102	1
2 m	891-8993/115-201	891-8993/115-202	1
3 m	891-8993/115-301	891-8993/115-302	1
4 m	891-8993/115-401	891-8993/115-402	1
5 m	891-8993/115-501	891-8993/115-502	1
6 m	891-8993/115-601	891-8993/115-602	1
7 m	891-8993/115-701	891-8993/115-702	1
8 m	891-8993/115-801	891-8993/115-802	1

Connecting cable ▶ Plug - Free end			
Total length	Connector color/Strain relief color		PU
	black/black	white/white	
1 m	891-8993/215-101	891-8993/215-102	1
2 m	891-8993/215-201	891-8993/215-202	1
3 m	891-8993/215-301	891-8993/215-302	1
4 m	891-8993/215-401	891-8993/215-402	1
5 m	891-8993/215-501	891-8993/215-502	1
6 m	891-8993/215-601	891-8993/215-602	1
7 m	891-8993/215-701	891-8993/215-702	1
8 m	891-8993/215-801	891-8993/215-802	1

Accessories; for all products on this page



Locking lever; for flying leads; manually operated		
Color	Item No.	PU (SPU)
● black	890-101	100 (50)
○ white	890-121	100 (50)

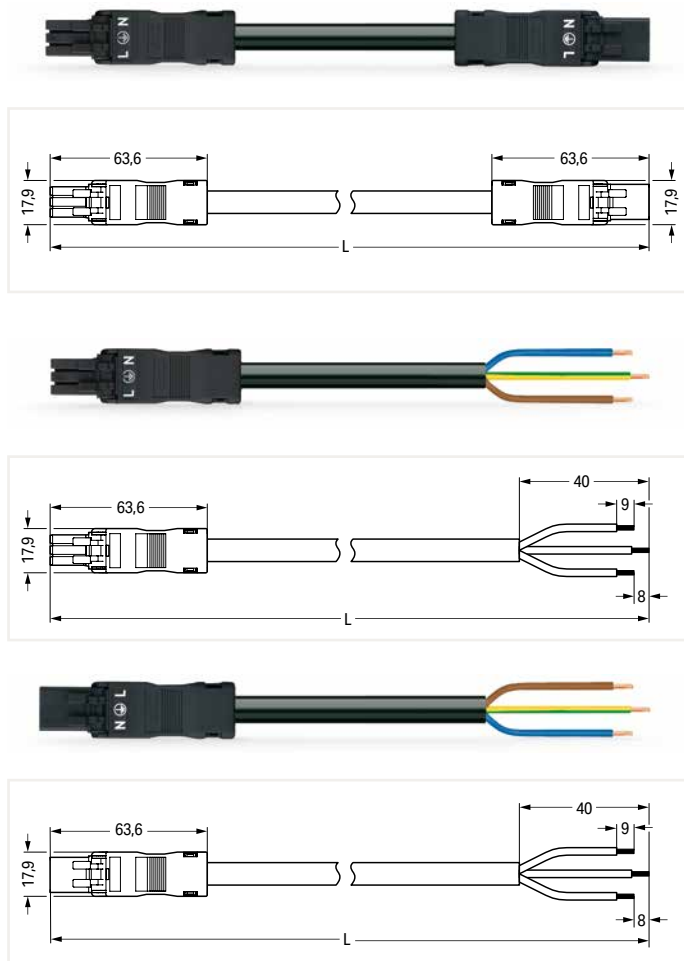
Locking lever; for flying leads; tool operated		
Color	Item No.	PU (SPU)
● black	890-111	100 (50)
○ white	890-131	100 (50)

Mounting adapter; for 2- to 5-pole for flying leads		
Color	Item No.	PU
● black	890-310	100
○ white	890-311	100

PU = Packaging Unit; SPU = Subpackaging Unit; Dimensions in mm

Cable Assembly ▶ WINSTA® MINI ▶ 891 Series

No. of poles: 3 ▶ Protection class: IP20 ▶ Coding: A ▶ Marking: L ⊕ N ▶ 1.5 mm² ▶ PVC ▶ Cable diameter: 7.4 ... 9.4 mm ▶ H05VV-F 3G1.5



Total length	Connector color/Strain relief color		PU
	black/black	white/white	
1 m	891-8993/006-101	891-8993/006-102	1
2 m	891-8993/006-201	891-8993/006-202	1
3 m	891-8993/006-301	891-8993/006-302	1
4 m	891-8993/006-401	891-8993/006-402	1
5 m	891-8993/006-501	891-8993/006-502	1
6 m	891-8993/006-601	891-8993/006-602	1
7 m	891-8993/006-701	891-8993/006-702	1
8 m	891-8993/006-801	891-8993/006-802	1

Total length	Connector color/Strain relief color		PU
	black/black	white/white	
1 m	891-8993/106-101	891-8993/106-102	1
2 m	891-8993/106-201	891-8993/106-202	1
3 m	891-8993/106-301	891-8993/106-302	1
4 m	891-8993/106-401	891-8993/106-402	1
5 m	891-8993/106-501	891-8993/106-502	1
6 m	891-8993/106-601	891-8993/106-602	1
7 m	891-8993/106-701	891-8993/106-702	1
8 m	891-8993/106-801	891-8993/106-802	1

Total length	Connector color/Strain relief color		PU
	black/black	white/white	
1 m	891-8993/206-101	891-8993/206-102	1
2 m	891-8993/206-201	891-8993/206-202	1
3 m	891-8993/206-301	891-8993/206-302	1
4 m	891-8993/206-401	891-8993/206-402	1
5 m	891-8993/206-501	891-8993/206-502	1
6 m	891-8993/206-601	891-8993/206-602	1
7 m	891-8993/206-701	891-8993/206-702	1
8 m	891-8993/206-801	891-8993/206-802	1

Accessories; for all products on this page



Locking lever; for flying leads; manually operated		
Color	Item No.	PU (SPU)
● black	890-101	100 (50)
○ white	890-121	100 (50)

Locking lever; for flying leads; tool operated		
Color	Item No.	PU (SPU)
● black	890-111	100 (50)
○ white	890-131	100 (50)

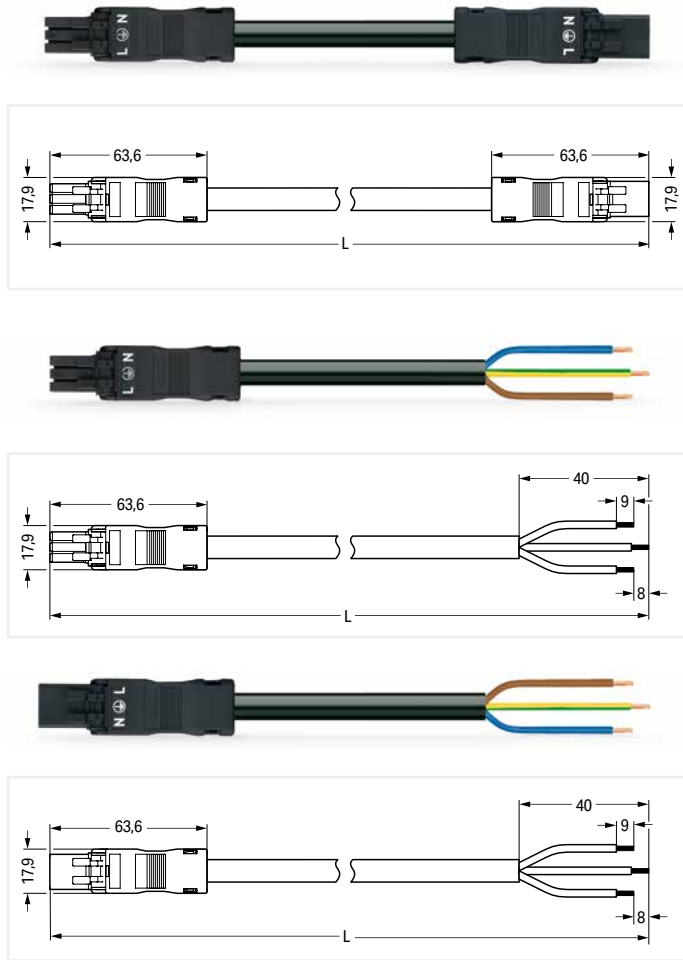
Mounting adapter; for 2- to 5-pole for flying leads		
Color	Item No.	PU
● black	890-310	100
○ white	890-311	100

PU = Packaging Unit; SPU = Subpackaging Unit; Dimensions in mm

Cable Assembly ▶ WINSTA® MINI ▶ 891 Series

No. of poles: 3 ▶ Protection class: IP20 ▶ Coding: A ▶ Marking: L ⊕ N ▶ 1.5 mm² ▶ Halogen-free ▶ Cable diameter: 7.4 ... 9.4 mm ▶ H05Z1Z1-F 3G1.5

1



Interconnecting cable ▶ Socket - Plug			
Total length	Connector color/Strain relief color		PU
	black/black	white/white	
1 m	891-8993/016-101	891-8993/016-102	1
2 m	891-8993/016-201	891-8993/016-202	1
3 m	891-8993/016-301	891-8993/016-302	1
4 m	891-8993/016-401	891-8993/016-402	1
5 m	891-8993/016-501	891-8993/016-502	1
6 m	891-8993/016-601	891-8993/016-602	1
7 m	891-8993/016-701	891-8993/016-702	1
8 m	891-8993/016-801	891-8993/016-802	1

Connecting cable ▶ Socket - Free end			
Total length	Connector color/Strain relief color		PU
	black/black	white/white	
1 m	891-8993/116-101	891-8993/116-102	1
2 m	891-8993/116-201	891-8993/116-202	1
3 m	891-8993/116-301	891-8993/116-302	1
4 m	891-8993/116-401	891-8993/116-402	1
5 m	891-8993/116-501	891-8993/116-502	1
6 m	891-8993/116-601	891-8993/116-602	1
7 m	891-8993/116-701	891-8993/116-702	1
8 m	891-8993/116-801	891-8993/116-802	1

Connecting cable ▶ Plug - Free end			
Total length	Connector color/Strain relief color		PU
	black/black	white/white	
1 m	891-8993/216-101	891-8993/216-102	1
2 m	891-8993/216-201	891-8993/216-202	1
3 m	891-8993/216-301	891-8993/216-302	1
4 m	891-8993/216-401	891-8993/216-402	1
5 m	891-8993/216-501	891-8993/216-502	1
6 m	891-8993/216-601	891-8993/216-602	1
7 m	891-8993/216-701	891-8993/216-702	1
8 m	891-8993/216-801	891-8993/216-802	1

Accessories; for all products on this page



Locking lever; for flying leads; manually operated		
Color	Item No.	PU (SPU)
● black	890-101	100 (50)
○ white	890-121	100 (50)

Locking lever; for flying leads; tool operated		
Color	Item No.	PU (SPU)
● black	890-111	100 (50)
○ white	890-131	100 (50)

Mounting adapter; for 2- to 5-pole for flying leads		
Color	Item No.	PU
● black	890-310	100
○ white	890-311	100

PU = Packaging Unit; SPU = Subpackaging Unit; Dimensions in mm

Pluggable Connector ▶ WINSTA® MINI ▶ 890 Series

No. of poles: 4

1



- Protected against mismatching and maintenance-free
- Push-in CAGE CLAMP® spring pressure connection technology allows solid conductors to be simply pushed into a unit
- Compact design with 4.4 mm pole spacing

Electrical Data			
Coding	A		
Ratings per	IEC/EN 60664-1		
Overtoltage category	III	III	II
Pollution degree	3	2	2
Rated voltage	400 V	-	-
Rated impulse voltage	6 kV	-	-
Rated current	16 A	-	-
Approvals per	UL 1977		
Rated voltage	600 V		
Rated current	12 A		

Connection Data	
Connection technology	Push-in CAGE CLAMP®
Strip length	9 mm / 0.35 Inch
Nominal cross section	1.5 mm ²
Solid conductor	0.25 ... 1.5 mm ² / 22 ... 16 AWG
Solid conductor, push-in termination	0.75 ... 1.5 mm ² / 20 ... 16 AWG
Stranded conductor	0.25 ... 1 mm ² / 22 ... 18 AWG
Fine-stranded conductor	0.25 ... 1.5 mm ² / 22 ... 16 AWG
Fine-stranded conductor with ferrule with plastic collar	0.25 ... 0.75 mm ² / 22 ... 20 AWG
Fine-stranded conductor with ferrule without plastic collar	0.25 ... 0.75 mm ² / 22 ... 20 AWG
Fine-stranded conductor with ferrule, push-in termination, from	0.75 mm ² / 20 AWG

Material Data	
Insulating material	Polyamide 66 (PA 66)
Flammability class per UL94	V0
Clamping spring material	Chrome nickel spring steel (CrNi)
Contact material	Copper or copper alloy, surface-treated

Mechanical Data	
Mating force of a plug-in connection	Approx. 20 ... 70 N (depending on pole number)
Unmating force of a plug-in connection	When unlocked: approx. 20 ... 70 N (depending on pole number)
Retention force of a plug-in connection	When locked: > 80 N
Protection class	IP20
Note on protection class	Only in mated condition with strain relief housing (These compact connectors are not designed for use in open, easily accessible areas.)
Mismatching protection	All WINSTA® components are 100 % protected against mismatching in terms of: <ul style="list-style-type: none"> • Plugging a different number of poles • Plugging when rotated by 180° • Plugging when laterally staggered • Plugging one pole

Environmental Requirements	
Processing temperature	-5 ... +40 °C
Continuous operating temperature	-35 ... +85 °C
Note on continuous service temperature	Insulating parts for temperatures ≤ 105 °C

All connectors for mounted installations (snap-in versions for lighting fixtures or devices, all types of PCB and distribution connectors) are factory-equipped with locking levers to ensure plugs and sockets are securely locked. Additional locking levers are only required for flying leads (plug/socket).

Application note for the U.S. market (USR): Some versions may also be used for current interruption in accordance with the UL certificate in select applications with currents below 5 A and voltages up to 600 V. For further information, please contact your local sales office.

Shield connection	Page 481
Tools	Page 506
Additional information, see "Technical Section"	
Approvals and corresponding ratings, visit www.wago.com	

Pluggable Connector ▶ WINSTA® MINI ▶ 890 Series

No. of poles: 4 ▶ Cable diameter: 6.5 ... 10.5 mm

Female connector/socket ▶ Strip length: 45 mm

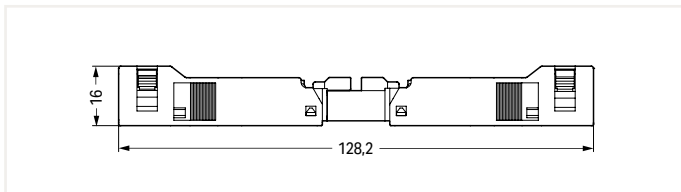
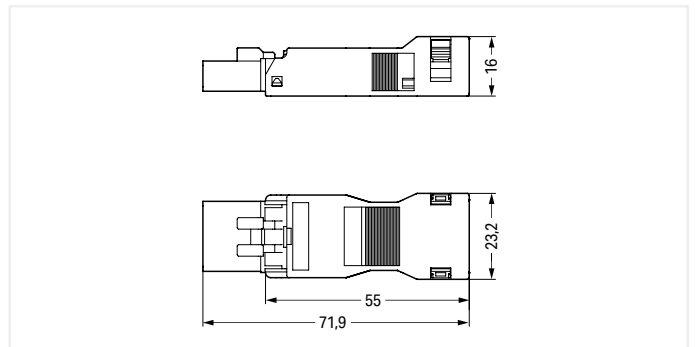
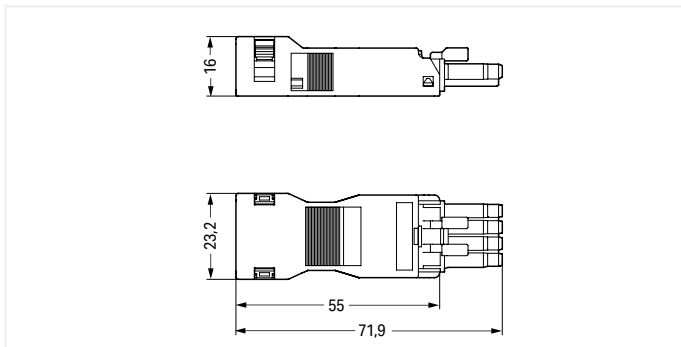
Male connector/plug ▶ Strip length: 45 mm



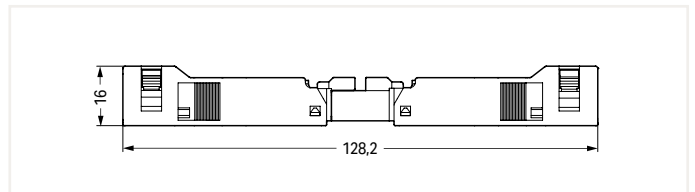
1

Color	Coding	Marking	Item No.	PU
● black	A	N ⊕ 2 L 1 L'	890-104	50
○ white	A	N ⊕ 2 L 1 L'	890-124	50

Color	Coding	Marking	Item No.	PU
● black	A	N ⊕ 2 L 1 L'	890-114	50
○ white	A	N ⊕ 2 L 1 L'	890-134	50



Overall length when mated



Overall length when mated

Accessories; for all products on this page



Locking lever; for flying leads; manually operated		
Color	Item No.	PU (SPU)
● black	890-101	100 (50)
○ white	890-121	100 (50)

Locking lever; for flying leads; tool operated		
Color	Item No.	PU (SPU)
● black	890-111	100 (50)
○ white	890-131	100 (50)

Mounting adapter; for 2- to 5-pole for flying leads		
Color	Item No.	PU
● black	890-310	100
○ white	890-311	100



Operating tool; for WINSTA® MINI connectors; No. of poles: 4

Item No.	PU
890-384	1

PU = Packaging Unit; SPU = Subpackaging Unit; Dimensions in mm

Pluggable Connector ▶ WINSTA® MINI ▶ 890 Series

No. of poles: 4

Female connector/socket

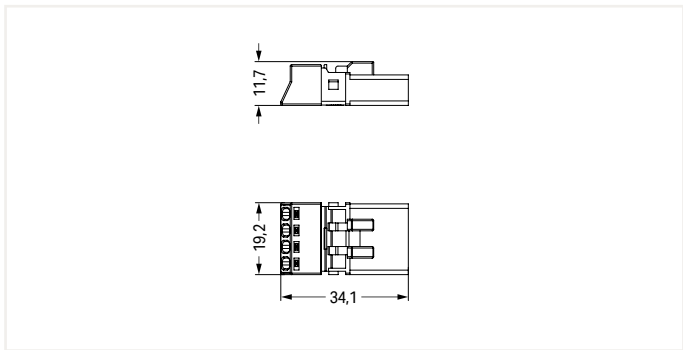
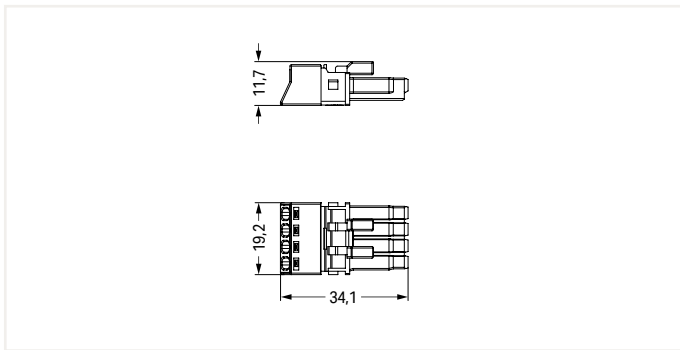
Male connector/plug

1



Color	Coding	Marking	Item No.	PU
● black	A	N ⊕ 2 L 1 L'	890-204	50
○ white	A	N ⊕ 2 L 1 L'	890-224	50

Color	Coding	Marking	Item No.	PU
● black	A	N ⊕ 2 L 1 L'	890-214	50
○ white	A	N ⊕ 2 L 1 L'	890-234	50



Accessories; for all products on this page



Locking lever; for flying leads; manually operated		
Color	Item No.	PU (SPU)
● black	890-101	100 (50)
○ white	890-121	100 (50)



Locking lever; for flying leads; tool operated		
Color	Item No.	PU (SPU)
● black	890-111	100 (50)
○ white	890-131	100 (50)



Mounting adapter; for 2- to 5-pole for flying leads		
Color	Item No.	PU
● black	890-310	100
○ white	890-311	100



Operating tool; for WINSTA® MINI connectors; No. of poles: 4		
Item No.	PU	
890-384	1	



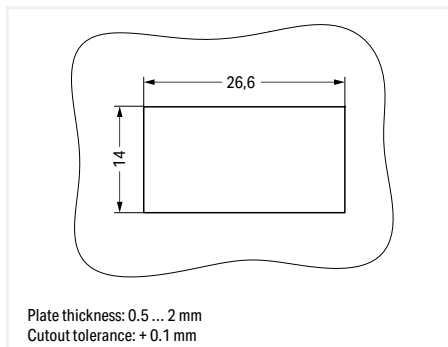
Strain relief housing; Connectable sheathed cable diameter: 6.5 ... 10.5 mm; Strip length: 45 mm		
Color	Item No.	PU
● black	890-504	50
○ white	890-514	50

PU = Packaging Unit; SPU = Subpackaging Unit; Dimensions in mm

Snap-In Device Connector ▶ WINSTA® MINI ▶ 890 Series

No. of poles: 4

1



- Protected against mismatching and maintenance-free
- Push-in CAGE CLAMP® spring pressure connection technology allows solid conductors to be simply pushed into a unit
- Compact design with 4.4 mm pole spacing

Electrical Data

Coding	A		
Ratings per	IEC/EN 60664-1		
Overvoltage category	III	III	II
Pollution degree	3	2	2
Rated voltage	400 V	-	-
Rated impulse voltage	6 kV	-	-
Rated current	16 A	-	-
Approvals per	UL 1977		
Rated voltage	600 V		
Rated current	12 A		

Connection Data

Connection technology	Push-in CAGE CLAMP®
Strip length	9 mm / 0.35 Inch
Nominal cross section	1.5 mm ²
Solid conductor	0.25 ... 1.5 mm ² / 22 ... 16 AWG
Solid conductor, push-in termination	0.75 ... 1.5 mm ² / 20 ... 16 AWG
Stranded conductor	0.25 ... 1 mm ² / 22 ... 18 AWG
Fine-stranded conductor	0.25 ... 1.5 mm ² / 22 ... 16 AWG
Fine-stranded conductor with ferrule with plastic collar	0.25 ... 0.75 mm ² / 22 ... 20 AWG
Fine-stranded conductor with ferrule without plastic collar	0.25 ... 0.75 mm ² / 22 ... 20 AWG
Fine-stranded conductor with ferrule, push-in termination, from	0.75 mm ² / 20 AWG

Material Data

Insulating material	Polyamide 66 (PA 66)
Flammability class per UL94	V0
Clamping spring material	Chrome nickel spring steel (CrNi)
Contact material	Copper or copper alloy, surface-treated

Mechanical Data

Mating force of a plug-in connection	Approx. 20 ... 70 N (depending on pole number)
Unmating force of a plug-in connection	When unlocked: approx. 20 ... 70 N (depending on pole number)
Retention force of a plug-in connection	When locked: > 80 N
Protection class	IP20
Note on protection class	Only in mated condition with strain relief housing (These compact connectors are not designed for use in open, easily accessible areas.)
Mismatching protection	All WINSTA® components are 100 % protected against mismatching in terms of: <ul style="list-style-type: none"> • Plugging a different number of poles • Plugging when rotated by 180° • Plugging when laterally staggered • Plugging one pole

Environmental Requirements

Processing temperature	-5 ... +40 °C
Continuous operating temperature	-35 ... +85 °C
Note on continuous service temperature	Insulating parts for temperatures ≤ 105 °C

All connectors for mounted installations (snap-in versions for lighting fixtures or devices, all types of PCB and distribution connectors) are factory-equipped with locking levers to ensure plugs and sockets are securely locked. Additional locking levers are only required for flying leads (plug/socket).

Application note for the U.S. market (USR): Some versions may also be used for current interruption in accordance with the UL certificate in select applications with currents below 5 A and voltages up to 600 V. For further information, please contact your local sales office.

Tools Page 506

Additional information, see "Technical Section"

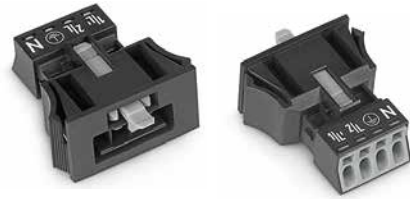
Approvals and corresponding ratings, visit www.wago.com

Snap-In Device Connector ▶ WINSTA® MINI ▶ 890 Series

No. of poles: 4

Female connector/socket

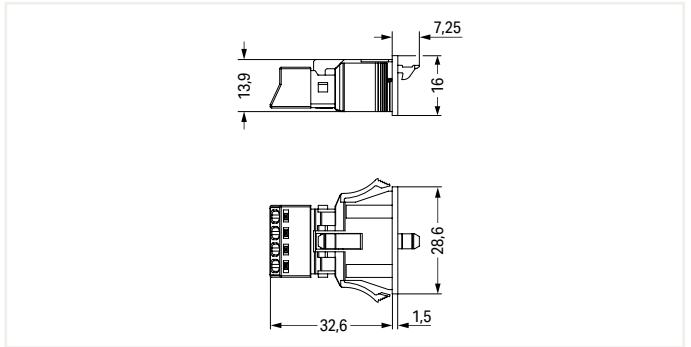
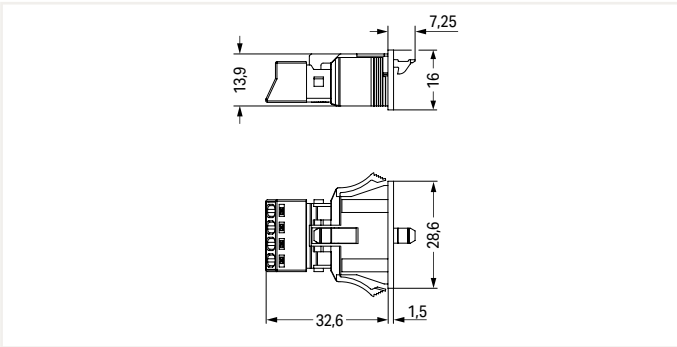
Male connector/plug



1

Color	Coding	Marking	Item No.	PU (SPU)
● black	A	N ⊕ 2 L 1 L'	890-704	50 (50)
○ white	A	N ⊕ 2 L 1 L'	890-724	50 (50)

Color	Coding	Marking	Item No.	PU (SPU)
● black	A	N ⊕ 2 L 1 L'	890-714	50 (50)
○ white	A	N ⊕ 2 L 1 L'	890-734	50 (50)



Accessories; for all products on this page



Operating tool; for WINSTA® MINI connectors; No. of poles: 4		
Item No.	PU	
890-384	1	

Lockout cap; for cutout; No. of poles: 4		
Color	Item No.	PU
● black	890-644	100
○ white	890-694	100

PU = Packaging Unit; SPU = Subpackaging Unit; Dimensions in mm

Pluggable PCB Connector ▶ WINSTA® MINI ▶ 890 Series

No. of poles: 4

1



- Protected against mismatching and maintenance-free
- Push-in CAGE CLAMP® spring pressure connection technology allows solid conductors to be simply pushed into a unit
- Compact design with 4.4 mm pole spacing

Electrical Data			
Coding	A		
Ratings per	IEC/EN 60664-1		
Overvoltage category	III	III	II
Pollution degree	3	2	2
Rated voltage	250 V	-	-
Rated impulse voltage	4 kV	-	-
Rated current	16 A	-	-
Approvals per	UL 1977		
Rated voltage	600 V		
Rated current	12 A		

Material Data	
Insulating material	Polyamide 66 (PA 66)
Flammability class per UL94	V0
Contact material	Copper or copper alloy, surface-treated

Mechanical Data	
Solder pin arrangement	2 in-line solder pins/pole
Solder pin length	3.5 mm
Solder pin dimensions	1 x 0.8 mm
Drilled hole diameter (tolerance)	1.3 ^(+0.1) mm
Mating force of a plug-in connection	Approx. 20 ... 70 N (depending on pole number)
Unmating force of a plug-in connection	When unlocked: approx. 20 ... 70 N (depending on pole number)
Retention force of a plug-in connection	When locked: > 80 N
Protection class	IP20
Note on protection class	Only in mated condition with strain relief housing (These compact connectors are not designed for use in open, easily accessible areas.)
Mismatching protection	All WINSTA® components are 100 % protected against mismatching in terms of: <ul style="list-style-type: none"> • Plugging a different number of poles • Plugging when rotated by 180° • Plugging when laterally staggered • Plugging one pole

Environmental Requirements	
Processing temperature	-5 ... +40 °C
Continuous operating temperature	-35 ... +85 °C
Note on continuous service temperature	Insulating parts for temperatures ≤ 105 °C

All connectors for mounted installations (snap-in versions for lighting fixtures or devices, all types of PCB and distribution connectors) are factory-equipped with locking levers to ensure plugs and sockets are securely locked. Additional locking levers are only required for flying leads (plug/socket).

Application note for the U.S. market (USR): Some versions may also be used for current interruption in accordance with the UL certificate in select applications with currents below 5 A and voltages up to 600 V. For further information, please contact your local sales office.

Additional information, see "Technical Section"

Approvals and corresponding ratings, visit www.wago.com

Pluggable PCB Connector ▶ WINSTA® MINI ▶ 890 Series

No. of poles: 4

Straight ▶ Female connector/socket

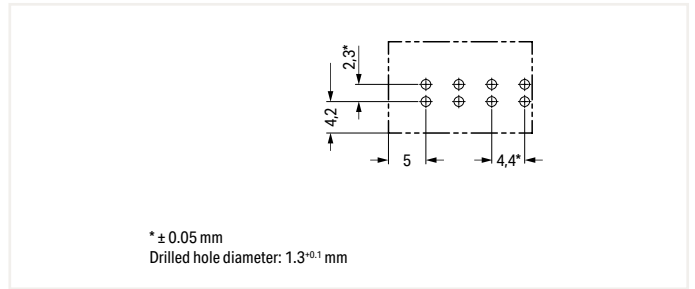
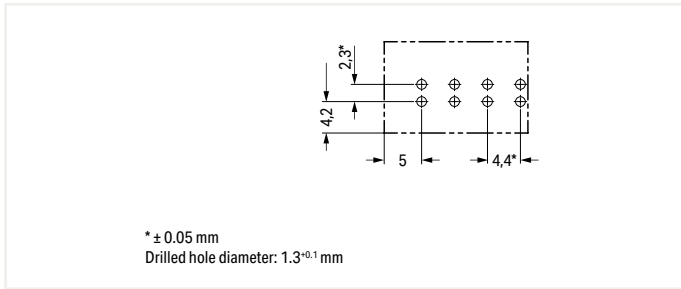
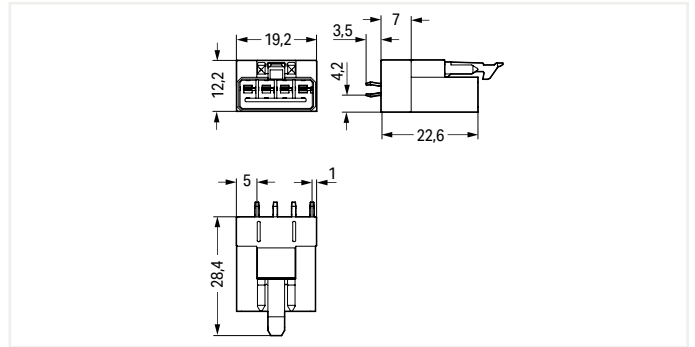
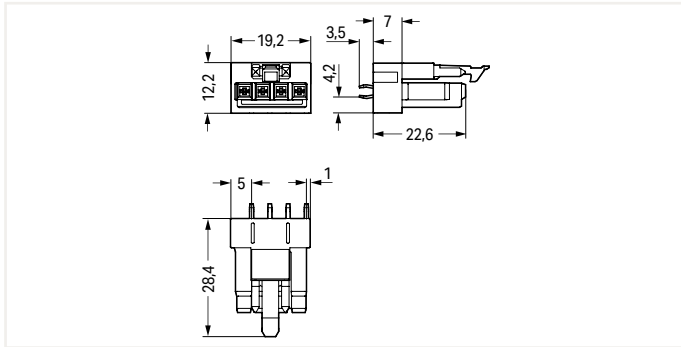
Straight ▶ Male connector/plug



1

Color	Coding	Marking	Item No.	PU
● black	A	N ⊕ 2 L 1 L'	890-804	50
○ white	A	N ⊕ 2 L 1 L'	890-824	50

Color	Coding	Marking	Item No.	PU
● black	A	N ⊕ 2 L 1 L'	890-814	50
○ white	A	N ⊕ 2 L 1 L'	890-834	50



Pluggable PCB Connector ▶ WINSTA® MINI ▶ 890 Series

No. of poles: 4

Angled ▶ Female connector/socket

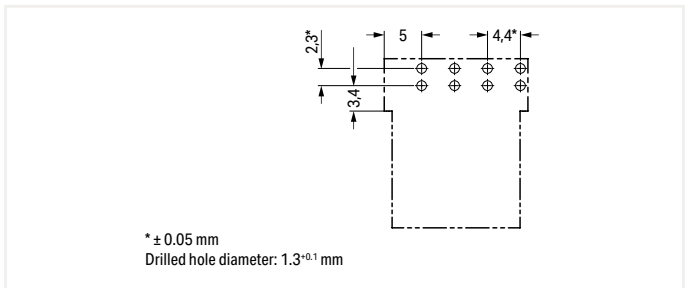
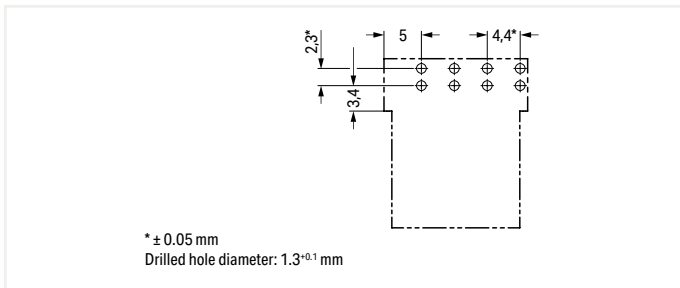
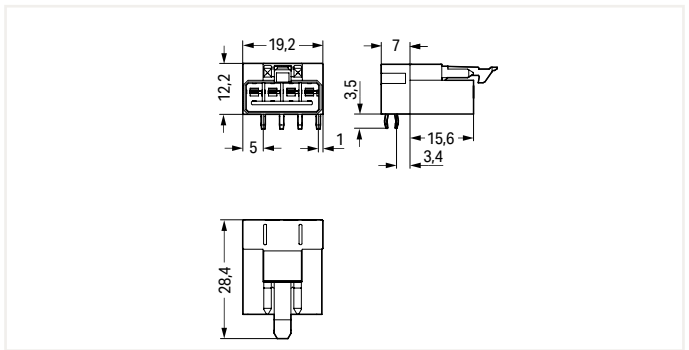
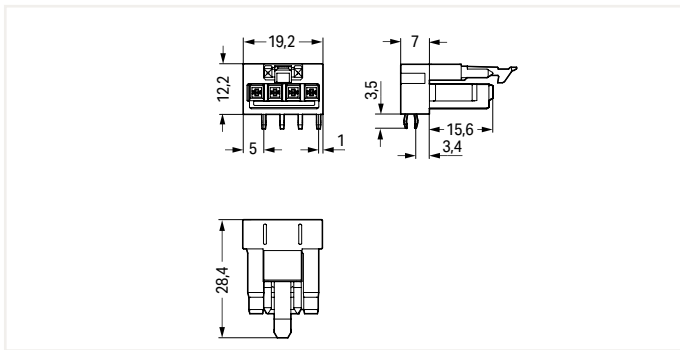
Angled ▶ Male connector/plug

1



Color	Coding	Marking	Item No.	PU
● black	A	N ⊕ 2 L 1 L'	890-804/011-000	50
○ white	A	N ⊕ 2 L 1 L'	890-824/011-000	50

Color	Coding	Marking	Item No.	PU
● black	A	N ⊕ 2 L 1 L'	890-814/011-000	50
○ white	A	N ⊕ 2 L 1 L'	890-834/011-000	50



Distribution Connector ▶ WINSTA® MINI ▶ 890 Series

No. of poles: 4

1



- Protected against mismatching and maintenance-free
- Push-in CAGE CLAMP® spring pressure connection technology allows solid conductors to be simply pushed into a unit
- Compact design with 4.4 mm pole spacing

Electrical Data			
Coding	A		
Ratings per	IEC/EN 60664-1		
Overvoltage category	III	III	II
Pollution degree	3	2	2
Rated voltage	400 V	-	-
Rated impulse voltage	6 kV	-	-
Rated current	16 A	-	-
Approvals per	UL 1977		
Rated voltage	600 V		
Rated current	12 A		

Material Data	
Insulating material	Polyamide 66 (PA 66)
Flammability class per UL94	V0
Contact material	Copper or copper alloy, surface-treated

Mechanical Data	
Mating force of a plug-in connection	Approx. 20 ... 70 N (depending on pole number)
Unmating force of a plug-in connection	When unlocked: approx. 20 ... 70 N (depending on pole number)
Retention force of a plug-in connection	When locked: > 80 N
Protection class	IP20
Note on protection class	Only in mated condition (These compact connectors are not designed for use in open, easily accessible areas.)
Mismatching protection	All WINSTA® components are 100 % protected against mismatching in terms of: <ul style="list-style-type: none"> • Plugging a different number of poles • Plugging when rotated by 180° • Plugging when laterally staggered • Plugging one pole

Environmental Requirements	
Processing temperature	-5 ... +40 °C
Continuous operating temperature	-35 ... +85 °C
Note on continuous service temperature	Insulating parts for temperatures ≤ 105 °C

All connectors for mounted installations (snap-in versions for lighting fixtures or devices, all types of PCB and distribution connectors) are factory-equipped with locking levers to ensure plugs and sockets are securely locked. Additional locking levers are only required for flying leads (plug/socket).

Application note for the U.S. market (USR): Some versions may also be used for current interruption in accordance with the UL certificate in select applications with currents below 5 A and voltages up to 600 V. For further information, please contact your local sales office.

Additional information, see "Technical Section"

Approvals and corresponding ratings, visit www.wago.com

Distribution Connector ▶ WINSTA® MINI ▶ 890 Series

No. of poles: 4

Intermediate coupler

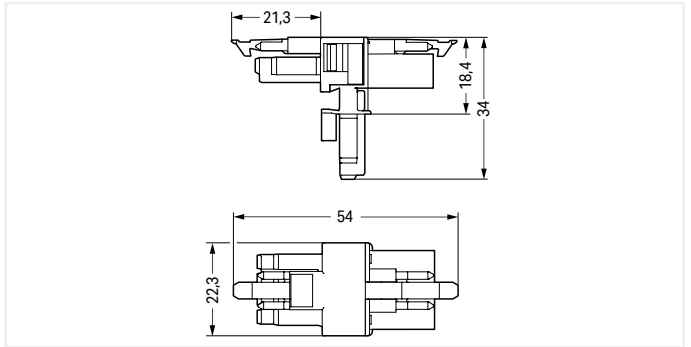
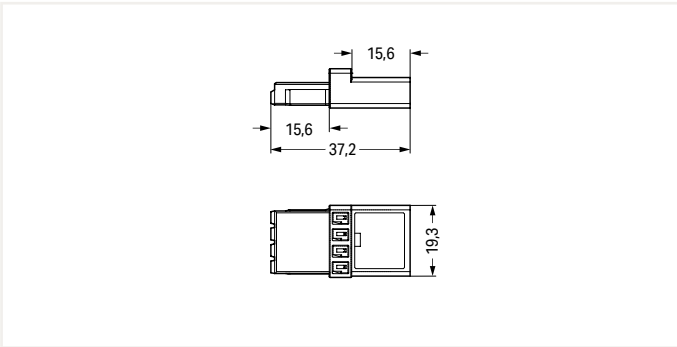
T-distribution connector ▶ Number of locking levers: 2



1

Color	Coding	Aufdruck	Item No.	PU
● black	A		890-604	50
○ white	A		890-654	50

Color	Coding	Marking	Item No.	PU
● black	A	N ⊕ 2 L 1 L'	890-626	25
○ white	A	N ⊕ 2 L 1 L'	890-676	25



Distribution Connector ▶ WINSTA® MINI ▶ 890 Series

No. of poles: 4

T-distribution connector ▶ Number of locking levers: 3

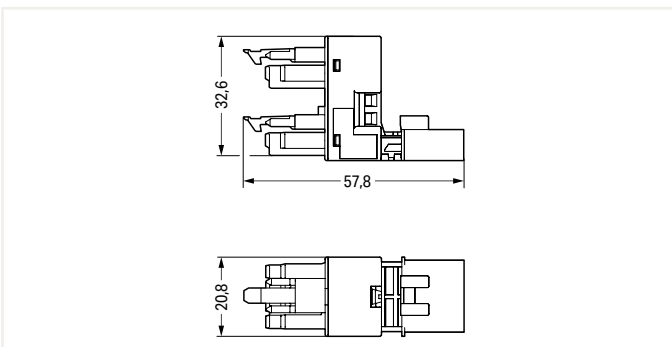
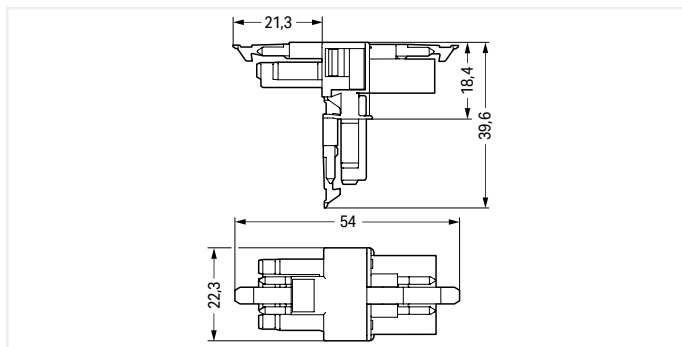
h-distribution connector, unidirectional ▶ Number of locking levers: 2

1



Color	Coding	Marking	Item No.	PU
● black	A	N ⊕ 2 L 1 L'	890-627	25
○ white	A	N ⊕ 2 L 1 L'	890-677	25

Color	Coding	Marking	Item No.	PU
● black	A	N ⊕ 2 L 1 L'	890-944	50
○ white	A	N ⊕ 2 L 1 L'	890-994	50



Item-Specific Accessories



Mounting plate; for distribution connector; No. of poles: 4		
Color	Item No.	PU (SPU)
● black	890-624	50 (50)
○ white	890-674	50 (50)

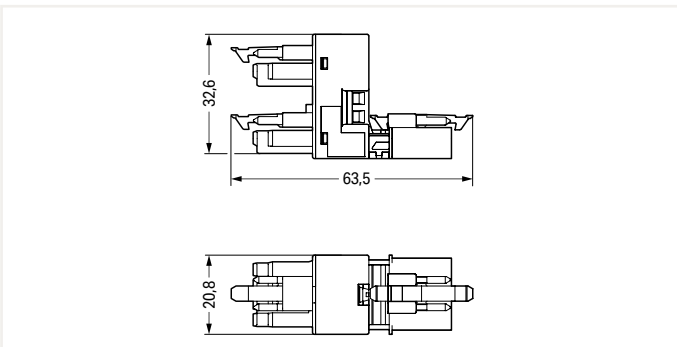
Distribution Connector ▶ WINSTA® MINI ▶ 890 Series

No. of poles: 4

h-distribution connector, unidirectional ▶ Number of locking levers: 3 ▶ for flying leads



Color	Coding	Marking	Item No.	PU
● black	A	N Ⓞ 2 L 1 L'	890-945	50
○ white	A	N Ⓞ 2 L 1 L'	890-995	50



Accessories; for all products on this page



Mounting plate; for distribution connector; No. of poles: 4

Color	Item No.	PU (SPU)
● black	890-624	50 (50)
○ white	890-674	50 (50)

PU = Packaging Unit; SPU = Subpackaging Unit; Dimensions in mm

Cable Assembly ▶ WINSTA® MINI ▶ 891 Series

No. of poles: 4 ▶ Protection class: IP20 ▶ 1.5 mm² ▶ Coding: A ▶ Marking: N ⊕ 2|L 1|L' ▶ Cable diameter: 8.4 ... 10.5 mm

1



- Protected against mismatching and maintenance-free
- Push-in CAGE CLAMP® spring pressure connection technology allows solid conductors to be simply pushed into a unit
- Compact design with 4.4 mm pole spacing

Electrical Data

Coding	A		
Ratings per	IEC/EN 60664-1		
Overvoltage category	III	III	II
Pollution degree	3	2	2
Rated voltage	400 V	-	-
Rated impulse voltage	6 kV	-	-
Rated current	16 A	-	-
Approvals per	UL 1977		
Rated voltage	600 V		
Rated current	12 A		

Material Data

Insulating material	Polyamide 66 (PA 66)
Flammability class per UL94	V0
Contact material	Copper or copper alloy, surface-treated
Reaction to fire class per EN 50575	E _{ca}

Mechanical Data

Mating force of a plug-in connection	approx. 20 ... 70 N (depending on pole number)
Unmating force of a plug-in connection	when unlocked: approx. 20 ... 70 N (depending on pole number)
Retention force of a plug-in connection	when locked: > 80N
Protection class	IP20
Note on protection class	Only in mated condition with strain relief housing (These compact connectors are not designed for use in open, easily accessible areas.)
Mismatching protection	All WINSTA® components are 100 % protected against mismatching in terms of: <ul style="list-style-type: none"> • Plugging a different number of poles • Plugging when rotated by 180° • Plugging when laterally staggered • Plugging one pole

Environmental Requirements

Processing temperature	-5 ... +40 °C
Continuous operating temperature	-35 ... +85 °C
Note on continuous service temperature	PVC cable for temperatures ≤ 70 °C (including halogen-free) Insulating parts for temperatures ≤ 105 °C

Cables with different fire load are available in the eShop

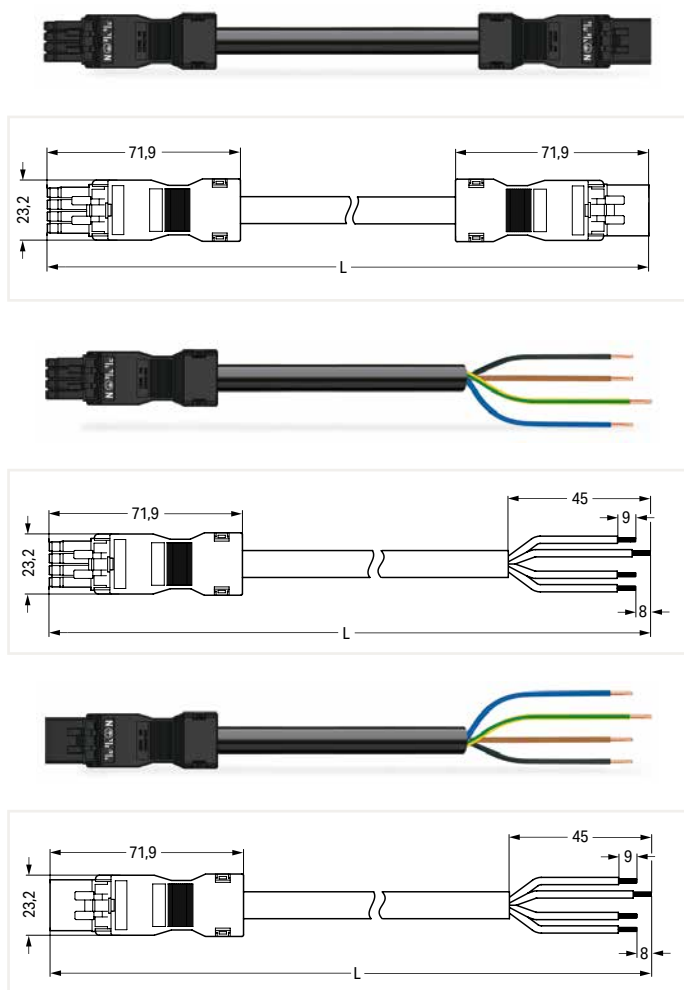
Application note for the U.S. market (USR): Some versions may also be used for current interruption in accordance with the UL certificate in select applications with currents below 5 A and voltages up to 600 V. For further information, please contact your local sales office.

Additional information, see "Technical Section"

Approvals and corresponding ratings, visit www.wago.com

Cable Assembly ▶ WINSTA® MINI ▶ 891 Series

No. of poles: 4 ▶ Protection class: IP20 ▶ 1.5 mm² ▶ Coding: A ▶ Marking: N ⊕ 2|L 1|L' ▶ Cable diameter: 8.4 ... 10.5 mm ▶ PVC ▶ H05VV-F 4G1.5



Interconnecting cable ▶ Socket - Plug			
Total length	Connector color/Strain relief color		PU
	black/black	white/white	
1 m	891-8994/006-101	891-8994/006-102	1
2 m	891-8994/006-201	891-8994/006-202	1
3 m	891-8994/006-301	891-8994/006-302	1
4 m	891-8994/006-401	891-8994/006-402	1
5 m	891-8994/006-501	891-8994/006-502	1
6 m	891-8994/006-601	891-8994/006-602	1
7 m	891-8994/006-701	891-8994/006-702	1
8 m	891-8994/006-801	891-8994/006-802	1

Connecting cable ▶ Socket - Free end			
Total length	Connector color/Strain relief color		PU
	black/black	white/white	
1 m	891-8994/106-101	891-8994/106-102	1
2 m	891-8994/106-201	891-8994/106-202	1
3 m	891-8994/106-301	891-8994/106-302	1
4 m	891-8994/106-401	891-8994/106-402	1
5 m	891-8994/106-501	891-8994/106-502	1
6 m	891-8994/106-601	891-8994/106-602	1
7 m	891-8994/106-701	891-8994/106-702	1
8 m	891-8994/106-801	891-8994/106-802	1

Connecting cable ▶ Plug - Free end			
Total length	Connector color/Strain relief color		PU
	black/black	white/white	
1 m	891-8994/206-101	891-8994/206-102	1
2 m	891-8994/206-201	891-8994/206-202	1
3 m	891-8994/206-301	891-8994/206-302	1
4 m	891-8994/206-401	891-8994/206-402	1
5 m	891-8994/206-501	891-8994/206-502	1
6 m	891-8994/206-601	891-8994/206-602	1
7 m	891-8994/206-701	891-8994/206-702	1
8 m	891-8994/206-801	891-8994/206-802	1

Accessories; for all products on this page

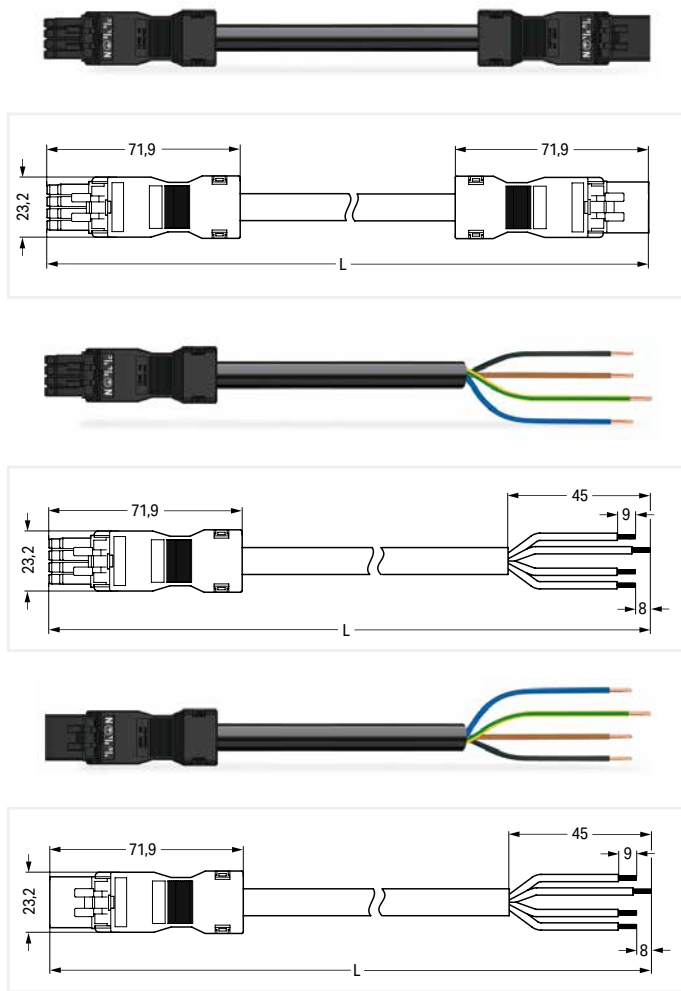
Locking lever; for flying leads; manually operated			Locking lever; for flying leads; tool operated			Mounting adapter; for 2- to 5-pole for flying leads		
Color	Item No.	PU (SPU)	Color	Item No.	PU (SPU)	Color	Item No.	PU
● black	890-101	100 (50)	● black	890-111	100 (50)	● black	890-310	100
○ white	890-121	100 (50)	○ white	890-131	100 (50)	○ white	890-311	100

PU = Packaging Unit; SPU = Subpackaging Unit; Dimensions in mm

Cable Assembly ▶ WINSTA® MINI ▶ 891 Series

No. of poles: 4 ▶ Protection class: IP20 ▶ 1.5 mm² ▶ Coding: A ▶ Marking: N ⊕ 2|L 1|L' ▶ Cable diameter: 8.4 ... 10.5 mm ▶ Halogen-free ▶ H05Z1Z1-F 4G1.5

1



Interconnecting cable ▶ Socket - Plug			
Total length	Connector color/Strain relief color		PU
	black/black	white/white	
1 m	891-8994/016-101	891-8994/016-102	1
2 m	891-8994/016-201	891-8994/016-202	1
3 m	891-8994/016-301	891-8994/016-302	1
4 m	891-8994/016-401	891-8994/016-402	1
5 m	891-8994/016-501	891-8994/016-502	1
6 m	891-8994/016-601	891-8994/016-602	1
7 m	891-8994/016-701	891-8994/016-702	1
8 m	891-8994/016-801	891-8994/016-802	1

Connecting cable ▶ Socket - Free end			
Total length	Connector color/Strain relief color		PU
	black/black	white/white	
1 m	891-8994/116-101	891-8994/116-102	1
2 m	891-8994/116-201	891-8994/116-202	1
3 m	891-8994/116-301	891-8994/116-302	1
4 m	891-8994/116-401	891-8994/116-402	1
5 m	891-8994/116-501	891-8994/116-502	1
6 m	891-8994/116-601	891-8994/116-602	1
7 m	891-8994/116-701	891-8994/116-702	1
8 m	891-8994/116-801	891-8994/116-802	1

Connecting cable ▶ Plug - Free end			
Total length	Connector color/Strain relief color		PU
	black/black	white/white	
1 m	891-8994/216-101	891-8994/216-102	1
2 m	891-8994/216-201	891-8994/216-202	1
3 m	891-8994/216-301	891-8994/216-302	1
4 m	891-8994/216-401	891-8994/216-402	1
5 m	891-8994/216-501	891-8994/216-502	1
6 m	891-8994/216-601	891-8994/216-602	1
7 m	891-8994/216-701	891-8994/216-702	1
8 m	891-8994/216-801	891-8994/216-802	1

Accessories; for all products on this page



Locking lever; for flying leads; manually operated		
Color	Item No.	PU (SPU)
● black	890-101	100 (50)
○ white	890-121	100 (50)

Locking lever; for flying leads; tool operated		
Color	Item No.	PU (SPU)
● black	890-111	100 (50)
○ white	890-131	100 (50)

Mounting adapter; for 2- to 5-pole for flying leads		
Color	Item No.	PU
● black	890-310	100
○ white	890-311	100

PU = Packaging Unit; SPU = Subpackaging Unit; Dimensions in mm

Pluggable Connector ▶ WINSTA® MINI ▶ 890 Series

No. of poles: 5

1



- Protected against mismatching and maintenance-free
- Push-in CAGE CLAMP® spring pressure connection technology allows solid conductors to be simply pushed into a unit
- Compact design with 4.4 mm pole spacing

Electrical Data						
Coding	A			I		
Ratings per	IEC/EN 60664-1			IEC/EN 60664-1		
Overvoltage category	III	III	II	III	III	II
Pollution degree	3	2	2	3	2	2
Rated voltage	400 V	-	-	400 V	-	-
Rated impulse voltage	6 kV	-	-	6 kV	-	-
Rated current	13 A	-	-	16 A	-	-
Approvals per	UL 1977			UL 1977		
Rated voltage	600 V			600 V		
Rated current	12 A			12 A		

Connection Data	
Connection technology	Push-in CAGE CLAMP®
Strip length	9 mm / 0.35 Inch
Nominal cross section	1.5 mm ²
Solid conductor	0.25 ... 1.5 mm ² / 22 ... 16 AWG
Solid conductor, push-in termination	0.75 ... 1.5 mm ² / 20 ... 16 AWG
Stranded conductor	0.25 ... 1 mm ² / 22 ... 18 AWG
Fine-stranded conductor	0.25 ... 1.5 mm ² / 22 ... 16 AWG
Fine-stranded conductor with ferrule with plastic collar	0.25 ... 0.75 mm ² / 22 ... 20 AWG
Fine-stranded conductor with ferrule without plastic collar	0.25 ... 0.75 mm ² / 22 ... 20 AWG
Fine-stranded conductor with ferrule, push-in termination, from	0.75 mm ² / 20 AWG

Material Data	
Insulating material	Polyamide 66 (PA 66)
Flammability class per UL94	V0
Clamping spring material	Chrome nickel spring steel (CrNi)
Contact material	Copper or copper alloy, surface-treated

Mechanical Data	
Mating force of a plug-in connection	Approx. 20 ... 70 N (depending on pole number)
Unmating force of a plug-in connection	When unlocked: approx. 20 ... 70 N (depending on pole number)
Retention force of a plug-in connection	When locked: > 80 N
Protection class	IP20
Note on protection class	Only in mated condition with strain relief housing (These compact connectors are not designed for use in open, easily accessible areas.)
Mismatching protection	All WINSTA® components are 100 % protected against mismatching in terms of: <ul style="list-style-type: none"> • Plugging a different number of poles • Plugging when rotated by 180° • Plugging when laterally staggered • Plugging one pole

Environmental Requirements	
Processing temperature	-5 ... +40 °C
Continuous operating temperature	-35 ... +85 °C
Note on continuous service temperature	Insulating parts for temperatures ≤ 105 °C

All connectors for mounted installations (snap-in versions for lighting fixtures or devices, all types of PCB and distribution connectors) are factory-equipped with locking levers to ensure plugs and sockets are securely locked. Additional locking levers are only required for flying leads (plug/socket).

Application note for the U.S. market (USR): Some versions may also be used for current interruption in accordance with the UL certificate in select applications with currents below 5 A and voltages up to 600 V. For further information, please contact your local sales office.

Shield connection Page 481

Tools Page 506

Additional information, see "Technical Section"

Approvals and corresponding ratings, visit www.wago.com

Pluggable Connector ▶ WINSTA® MINI ▶ 890 Series

No. of poles: 5 ▶ Cable diameter: 6.5 ... 10.5 mm

Female connector/socket ▶ Strip length: 45 mm

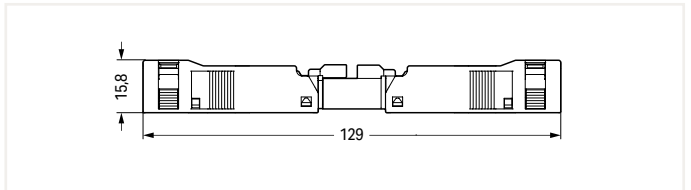
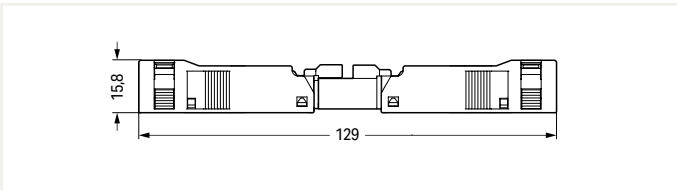
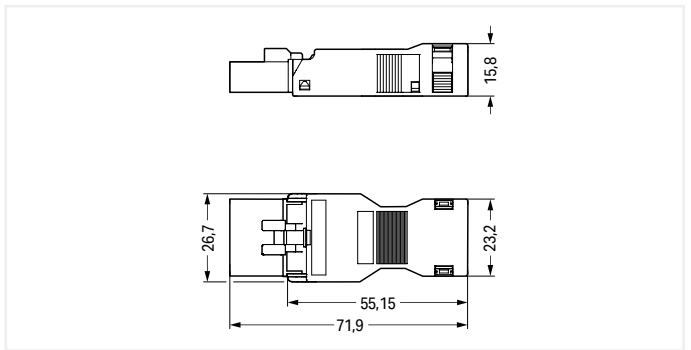
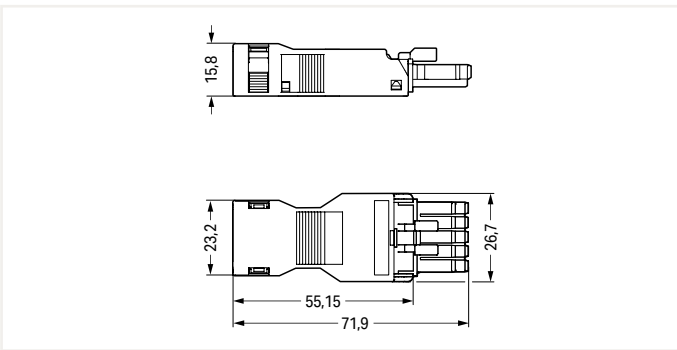
Male connector/plug ▶ Strip length: 45 mm



1

Color	Coding	Marking	Item No.	PU
● black	A	N 1 2 3	890-105	50
○ white	A	N 1 2 3	890-125	50

Color	Coding	Marking	Item No.	PU
● black	A	N 1 2 3	890-115	50
○ white	A	N 1 2 3	890-135	50



Overall length when mated

Overall length when mated

Accessories; for all products on this page



Locking lever; for flying leads; manually operated		
Color	Item No.	PU (SPU)
● black	890-101	100 (50)
○ white	890-121	100 (50)

Locking lever; for flying leads; tool operated		
Color	Item No.	PU (SPU)
● black	890-111	100 (50)
○ white	890-131	100 (50)

Mounting adapter; for 2- to 5-pole for flying leads		
Color	Item No.	PU
● black	890-310	100
○ white	890-311	100



Operating tool; for WINSTA® MINI connectors; No. of poles: 5		
Item No.	PU	
890-385	1	

PU = Packaging Unit; SPU = Subpackaging Unit; Dimensions in mm

Pluggable Connector ▶ WINSTA® MINI ▶ 890 Series

No. of poles: 5

Female connector/socket

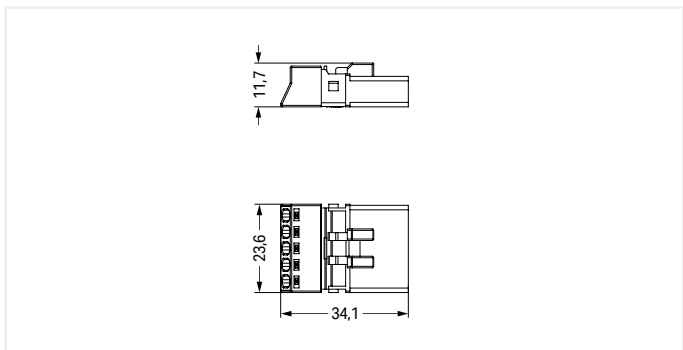
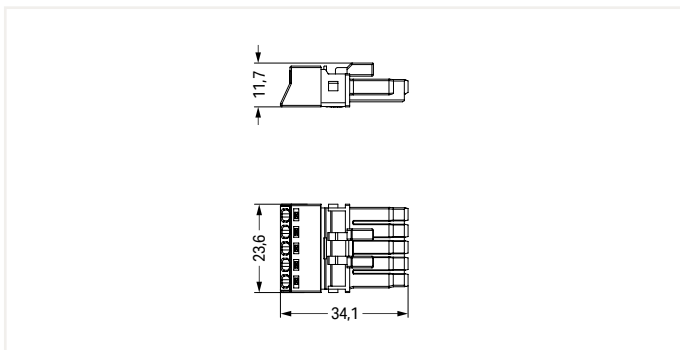
Male connector/plug

1



Color	Coding	Marking	Item No.	PU
● black	A	N ⊕ 1 2 3	890-205	50
○ white	A	N ⊕ 1 2 3	890-225	50
● blue	I	N ⊕ L - +	890-1105	50

Color	Coding	Marking	Item No.	PU
● black	A	N ⊕ 1 2 3	890-215	50
○ white	A	N ⊕ 1 2 3	890-235	50
● blue	I	N ⊕ L - +	890-1115	50



Accessories; for all products on this page



Locking lever; for flying leads; manually operated

Color	Item No.	PU (SPU)
● black	890-101	100 (50)
○ white	890-121	100 (50)



Locking lever; for flying leads; tool operated

Color	Item No.	PU (SPU)
● black	890-111	100 (50)
○ white	890-131	100 (50)



Mounting adapter; for 2- to 5-pole for flying leads

Color	Item No.	PU
● black	890-310	100
○ white	890-311	100



Operating tool; for WINSTA® MINI connectors; No. of poles: 5

Item No.	PU
890-385	1



Strain relief housing; Connectable sheathed cable diameter: 6.5 ... 10.5 mm; Strip length: 45 mm

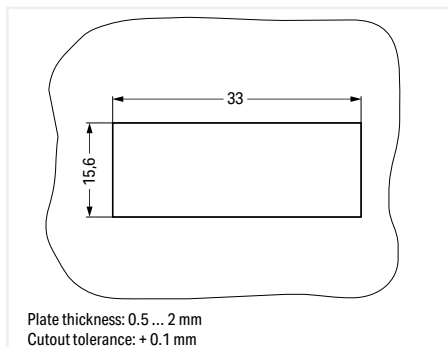
Color	Item No.	PU
● black	890-505	50
○ white	890-515	50

PU = Packaging Unit; SPU = Subpackaging Unit; Dimensions in mm

Snap-In Device Connector ▶ WINSTA® MINI ▶ 890 Series

No. of poles: 5

1



- Protected against mismatching and maintenance-free
- Push-in CAGE CLAMP® spring pressure connection technology allows solid conductors to be simply pushed into a unit
- Compact design with 4.4 mm pole spacing

Electrical Data						
Coding	A			I		
Ratings per	IEC/EN 60664-1					
Overvoltage category	III	III	II	III	III	II
Pollution degree	3	2	2	3	2	2
Rated voltage	400 V	-	-	400 V	-	-
Rated impulse voltage	6 kV	-	-	6 kV	-	-
Rated current	13 A	-	-	16 A	-	-
Approvals per	UL 1977			UL 1977		
Rated voltage	600 V			600 V		
Rated current	12 A			12 A		

Connection Data	
Connection technology	Push-in CAGE CLAMP®
Strip length	9 mm / 0.35 Inch
Nominal cross section	1.5 mm ²
Solid conductor	0.25 ... 1.5 mm ² / 22 ... 16 AWG
Solid conductor, push-in termination	0.75 ... 1.5 mm ² / 20 ... 16 AWG
Stranded conductor	0.25 ... 1 mm ² / 22 ... 18 AWG
Fine-stranded conductor	0.25 ... 1.5 mm ² / 22 ... 16 AWG
Fine-stranded conductor with ferrule with plastic collar	0.25 ... 0.75 mm ² / 22 ... 20 AWG
Fine-stranded conductor with ferrule without plastic collar	0.25 ... 0.75 mm ² / 22 ... 20 AWG
Fine-stranded conductor with ferrule, push-in termination, from	0.75 mm ² / 20 AWG

Material Data	
Insulating material	Polyamide 66 (PA 66)
Flammability class per UL94	V0
Clamping spring material	Chrome nickel spring steel (CrNi)
Contact material	Copper or copper alloy, surface-treated

Mechanical Data	
Mating force of a plug-in connection	Approx. 20 ... 70 N (depending on pole number)
Unmating force of a plug-in connection	When unlocked: approx. 20 ... 70 N (depending on pole number)
Retention force of a plug-in connection	When locked: > 80 N
Protection class	IP20
Note on protection class	Only in mated condition with strain relief housing (These compact connectors are not designed for use in open, easily accessible areas.)
Mismatching protection	All WINSTA® components are 100 % protected against mismatching in terms of: <ul style="list-style-type: none"> • Plugging a different number of poles • Plugging when rotated by 180° • Plugging when laterally staggered • Plugging one pole

Environmental Requirements	
Processing temperature	-5 ... +40 °C
Continuous operating temperature	-35 ... +85 °C
Note on continuous service temperature	Insulating parts for temperatures ≤ 105 °C

All connectors for mounted installations (snap-in versions for lighting fixtures or devices, all types of PCB and distribution connectors) are factory-equipped with locking levers to ensure plugs and sockets are securely locked. Additional locking levers are only required for flying leads (plug/socket).

Application note for the U.S. market (USR): Some versions may also be used for current interruption in accordance with the UL certificate in select applications with currents below 5 A and voltages up to 600 V. For further information, please contact your local sales office.

Tools Page 506

Additional information, see "Technical Section"

Approvals and corresponding ratings, visit www.wago.com

Snap-In Device Connector ▶ WINSTA® MINI ▶ 890 Series

No. of poles: 5

Female connector/socket

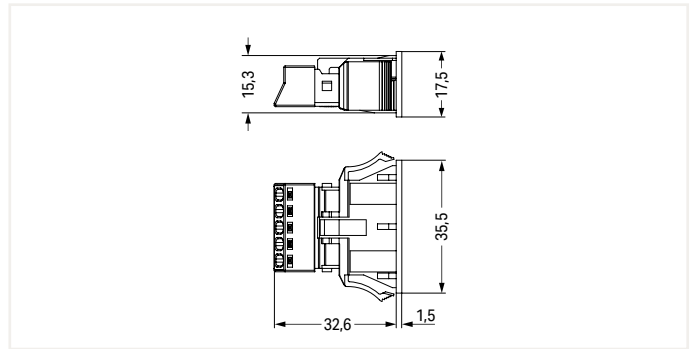
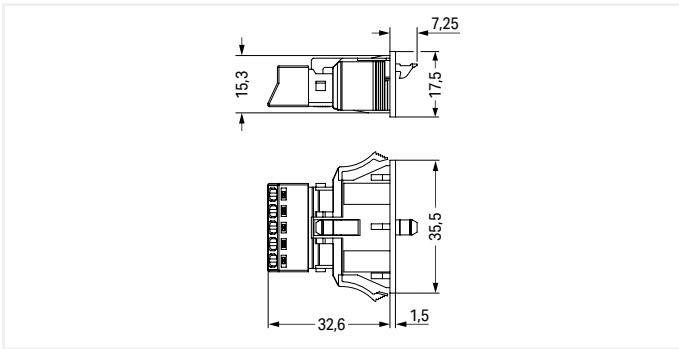
Female connector/socket ▶ for lighting installation with intermediate coupler



1

Color	Coding	Marking	Item No.	PU (SPU)
● black	A	N ⊕ 1 2 3	890-705	50 (50)
○ white	A	N ⊕ 1 2 3	890-725	50 (50)
● blue	I	N ⊕ L - +	890-2105	50 (50)

Color	Coding	Marking	Item No.	PU (SPU)
● black	A	N ⊕ 1 2 3	890-705/006-000	50 (50)
○ white	A	N ⊕ 1 2 3	890-725/006-000	50 (25)
● blue	I	N ⊕ L - +	890-2105/006-000	50 (50)



Accessories; for all products on this page



Lockout cap; for cutout; No. of poles: 3		
Color	Item No.	PU
● black	770-643	100
○ white	770-693	100

Operating tool; for WINSTA® MINI connectors; No. of poles: 5		
Item No.	PU	
890-385	1	

PU = Packaging Unit; SPU = Subpackaging Unit; Dimensions in mm

Snap-In Device Connector ▶ WINSTA® MINI ▶ 890 Series

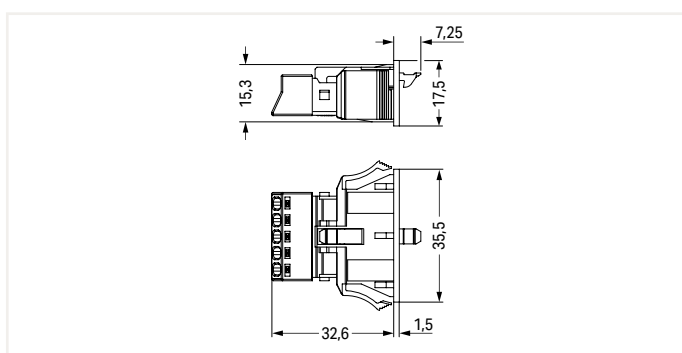
No. of poles: 5

Male connector/plug

1



Color	Coding	Marking	Item No.	PU (SPU)
● black	A	N ⊕ 1 2 3	890-715	50 (25)
○ white	A	N ⊕ 1 2 3	890-735	50 (50)
● blue	I	N ⊕ L - +	890-2115	50 (50)



Accessories; for all products on this page



Lockout cap; for cutout; No. of poles: 3

Color	Item No.	PU
● black	770-643	100
○ white	770-693	100



Operating tool; for WINSTA® MINI connectors; No. of poles: 5

Item No.	PU
890-385	1

PU = Packaging Unit; SPU = Subpackaging Unit; Dimensions in mm

Pluggable PCB Connector ▶ WINSTA® MINI ▶ 890 Series

No. of poles: 5

1



- Protected against mismatching and maintenance-free
- Push-in CAGE CLAMP® spring pressure connection technology allows solid conductors to be simply pushed into a unit
- Compact design with 4.4 mm pole spacing

Electrical Data						
Coding	A			I		
Ratings per	IEC/EN 60664-1			IEC/EN 60664-1		
Overvoltage category	III	III	II	III	III	II
Pollution degree	3	2	2	3	2	2
Rated voltage	250 V	-	-	250 V	-	-
Rated impulse voltage	4 kV	-	-	4 kV	-	-
Rated current	13 A	-	-	16 A	-	-
Approvals per	UL 1977			UL 1977		
Rated voltage	600 V			600 V		
Rated current	12 A			12 A		

Material Data	
Insulating material	Polyamide 66 (PA 66)
Flammability class per UL94	V0
Contact material	Copper or copper alloy, surface-treated

Mechanical Data	
Solder pin arrangement	2 in-line solder pins/pole
Solder pin length	3.5 mm
Solder pin dimensions	1 x 0.8 mm
Drilled hole diameter (tolerance)	1.3 ^(+0.1) mm
Mating force of a plug-in connection	Approx. 20 ... 70 N (depending on pole number)
Unmating force of a plug-in connection	When unlocked: approx. 20 ... 70 N (depending on pole number)
Retention force of a plug-in connection	When locked: > 80 N
Protection class	IP20
Note on protection class	Only in mated condition with strain relief housing (These compact connectors are not designed for use in open, easily accessible areas.)
Mismatching protection	All WINSTA® components are 100 % protected against mismatching in terms of: <ul style="list-style-type: none"> • Plugging a different number of poles • Plugging when rotated by 180° • Plugging when laterally staggered • Plugging one pole

Environmental Requirements	
Processing temperature	-5 ... +40 °C
Continuous operating temperature	-35 ... +85 °C
Note on continuous service temperature	Insulating parts for temperatures ≤ 105 °C

All connectors for mounted installations (snap-in versions for lighting fixtures or devices, all types of PCB and distribution connectors) are factory-equipped with locking levers to ensure plugs and sockets are securely locked. Additional locking levers are only required for flying leads (plug/socket).

Application note for the U.S. market (USR): Some versions may also be used for current interruption in accordance with the UL certificate in select applications with currents below 5 A and voltages up to 600 V. For further information, please contact your local sales office.

Additional information, see "Technical Section"

Approvals and corresponding ratings, visit www.wago.com

Pluggable PCB Connector ▶ WINSTA® MINI ▶ 890 Series

No. of poles: 5

Straight ▶ Female connector/socket

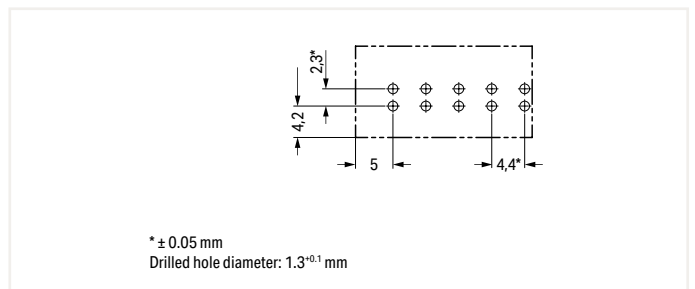
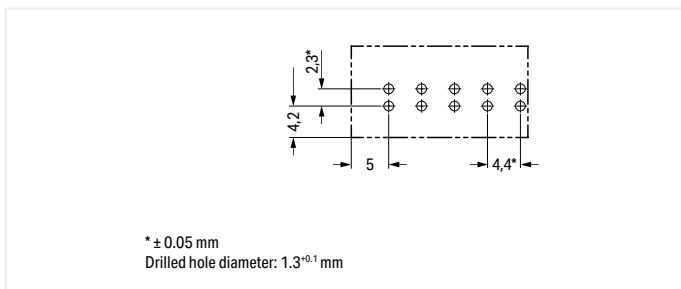
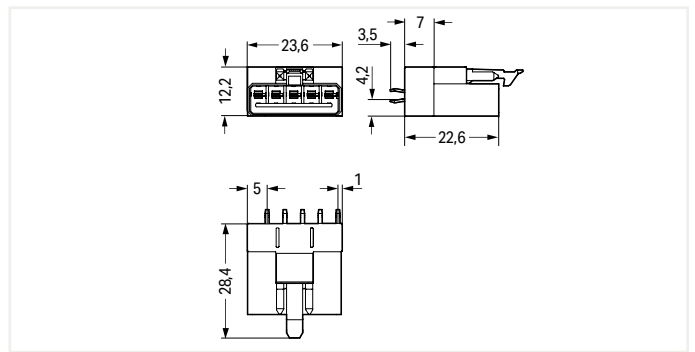
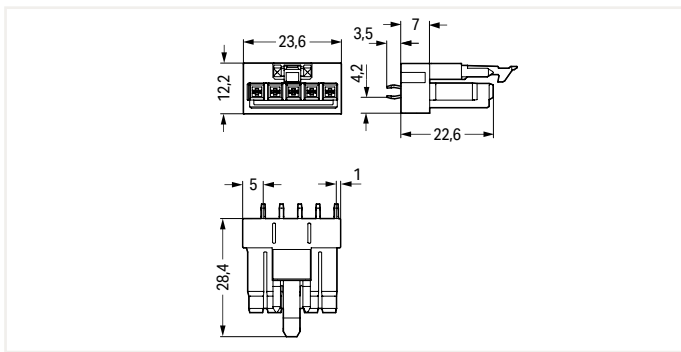
Straight ▶ Male connector/plug



1

Color	Coding	Marking	Item No.	PU
● black	A	N ⊕ 1 2 3	890-805	50
○ white	A	N ⊕ 1 2 3	890-825	50
● blue	I	N ⊕ L - +	890-3105	50

Color	Coding	Marking	Item No.	PU
● black	A	N ⊕ 1 2 3	890-815	50
○ white	A	N ⊕ 1 2 3	890-835	50
● blue	I	N ⊕ L - +	890-3115	100



Pluggable PCB Connector ▶ WINSTA® MINI ▶ 890 Series

No. of poles: 5

Angled ▶ Female connector/socket

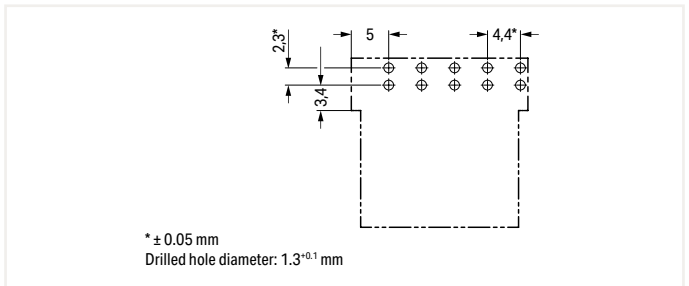
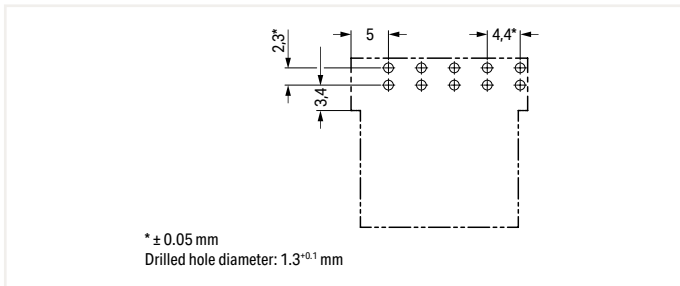
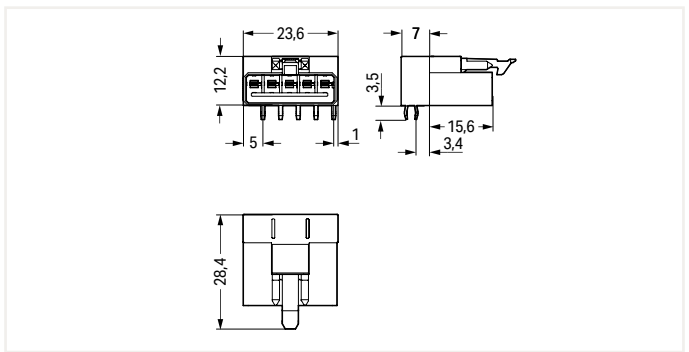
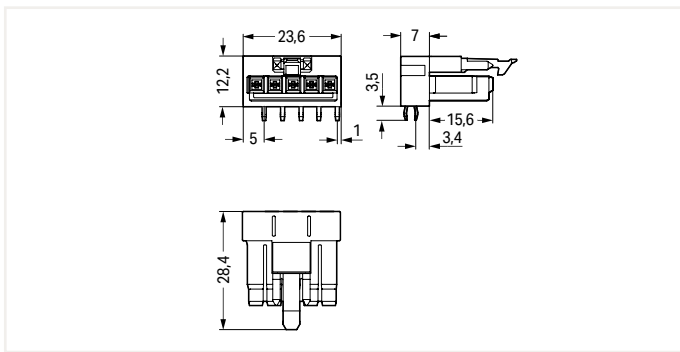
Angled ▶ Male connector/plug

1



Color	Coding	Marking	Item No.	PU
● black	A	N ⊕ 1 2 3	890-805/011-000	50
○	A	N ⊕ 1 2 3	890-825/011-000	50
● blue	I	N ⊕ L - +	890-3105/011-000	100

Color	Coding	Marking	Item No.	PU
● black	A	N ⊕ 1 2 3	890-815/011-000	50
○ white	A	N ⊕ 1 2 3	890-835/011-000	50
● blue	I	N ⊕ L - +	890-3115/011-000	100



Distribution Connector ▶ WINSTA® MINI ▶ 890 Series

No. of poles: 5

1



- Protected against mismatching and maintenance-free
- Push-in CAGE CLAMP® spring pressure connection technology allows solid conductors to be simply pushed into a unit
- Compact design with 4.4 mm pole spacing

Electrical Data						
Coding	A			I		
Ratings per	IEC/EN 60664-1			IEC/EN 60664-1		
Overvoltage category	III	III	II	III	III	II
Pollution degree	3	2	2	3	2	2
Rated voltage	400 V	-	-	400 V	-	-
Rated impulse voltage	6 kV	-	-	6 kV	-	-
Rated current	13 A	-	-	16 A	-	-
Approvals per	UL 1977			UL 1977		
Rated voltage	600 V			600 V		
Rated current	12 A			12 A		

Material Data	
Insulating material	Polyamide 66 (PA 66)
Flammability class per UL94	V0
Contact material	Copper or copper alloy, surface-treated

Mechanical Data	
Mating force of a plug-in connection	Approx. 20 ... 70 N (depending on pole number)
Unmating force of a plug-in connection	When unlocked: approx. 20 ... 70 N (depending on pole number)
Retention force of a plug-in connection	When locked: > 80 N
Protection class	IP20
Note on protection class	Only in mated condition (These compact connectors are not designed for use in open, easily accessible areas.)
Mismatching protection	All WINSTA® components are 100 % protected against mismatching in terms of: <ul style="list-style-type: none"> • Plugging a different number of poles • Plugging when rotated by 180° • Plugging when laterally staggered • Plugging one pole

Environmental Requirements	
Processing temperature	-5 ... +40 °C
Continuous operating temperature	-35 ... +85 °C
Note on continuous service temperature	Insulating parts for temperatures ≤ 105 °C

All connectors for mounted installations (snap-in versions for lighting fixtures or devices, all types of PCB and distribution connectors) are factory-equipped with locking levers to ensure plugs and sockets are securely locked. Additional locking levers are only required for flying leads (plug/socket).

Application note for the U.S. market (USR): Some versions may also be used for current interruption in accordance with the UL certificate in select applications with currents below 5 A and voltages up to 600 V. For further information, please contact your local sales office.

Additional information, see "Technical Section"

Approvals and corresponding ratings, visit www.wago.com

Distribution Connector ▶ WINSTA® MINI ▶ 890 Series

No. of poles: 5

Intermediate coupler

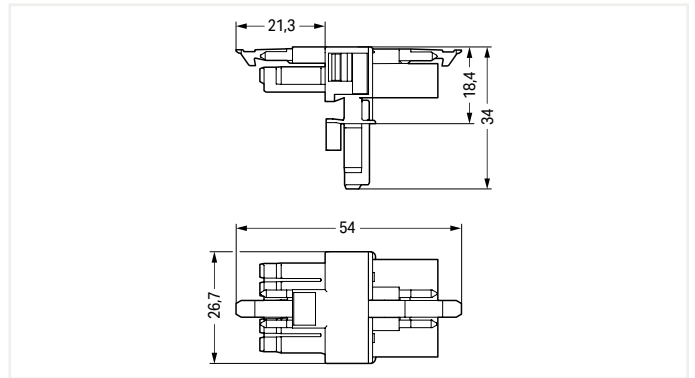
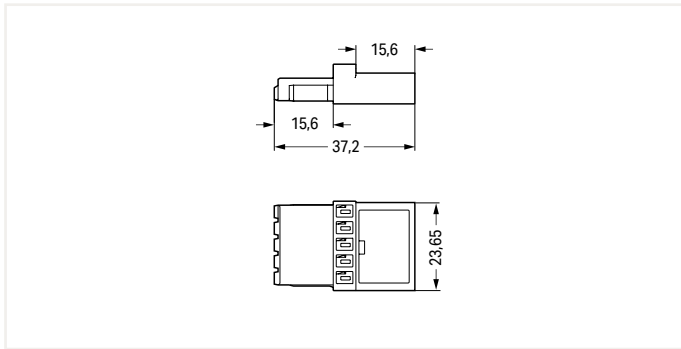
T-distribution connector ▶ Number of locking levers: 2



1

Color	Coding	Aufdruck	Item No.	PU
● black	A		890-605	50
○	A		890-655	50
● blue	I		890-619	50

Color	Coding	Marking	Item No.	PU
● black	A	N ⊕ 1 2 3	890-621	25
○ white	A	N ⊕ 1 2 3	890-671	25
● blue	I	N ⊕ L - +	890-617	25



PU = Packaging Unit; SPU = Subpackaging Unit; Dimensions in mm

Distribution Connector ▶ WINSTA® MINI ▶ 890 Series

No. of poles: 5

T-distribution connector ▶ Number of locking levers: 3

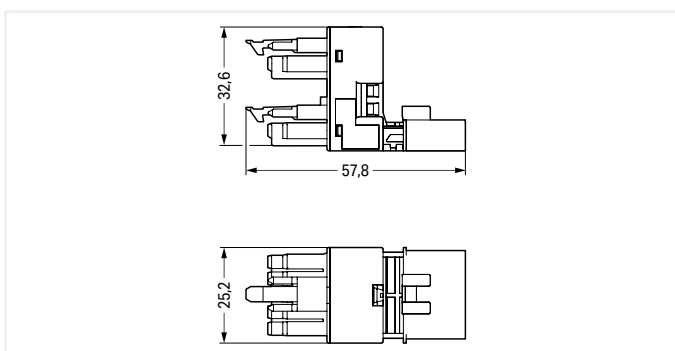
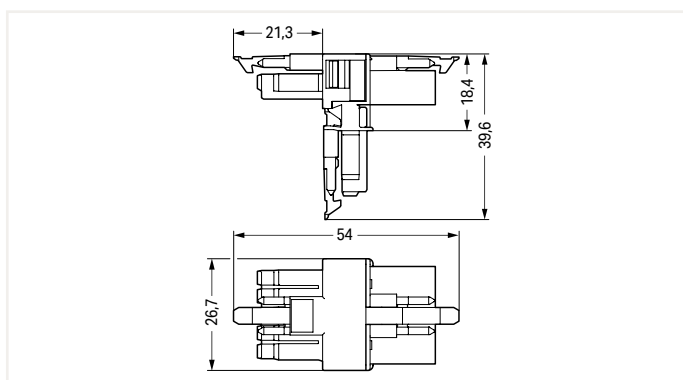
h-distribution connector, unidirectional ▶ Number of locking levers: 2

1



Color	Coding	Marking	Item No.	PU
● black	A	N ⊕ 1 2 3	890-622	25
○ white	A	N ⊕ 1 2 3	890-672	25
● blue	I	N ⊕ L - +	890-620	25

Color	Coding	Marking	Item No.	PU
● black	A	N ⊕ 1 2 3	890-929	50
○ white	A	N ⊕ 1 2 3	890-979	50
● blue	I	N ⊕ L - +	890-982	50



Item-Specific Accessories



Mounting plate; for distribution connector; No. of poles: 5

Color	Item No.	PU (SPU)
● black	890-625	50 (50)
○ white	890-675	50 (50)

Distribution Connector ▶ WINSTA® MINI ▶ 890 Series

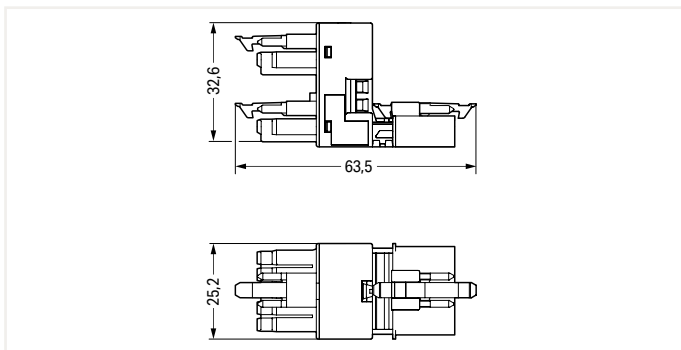
No. of poles: 5

h-distribution connector, unidirectional ▶ Number of locking levers: 3 ▶ for flying leads



1

Color	Coding	Marking	Item No.	PU
● black	A	N ⊕ 1 2 3	890-930	50
○ white	A	N ⊕ 1 2 3	890-980	50
● blue	I	N ⊕ L - +	890-983	50



Accessories; for all products on this page



Mounting plate; for distribution connector; No. of poles: 5

Color	Item No.	PU (SPU)
● black	890-625	50 (50)
○ white	890-675	50 (50)

PU = Packaging Unit; SPU = Subpackaging Unit; Dimensions in mm

Cable Assembly ▶ WINSTA® MINI ▶ 891 SeriesNo. of poles: 5 ▶ Protection class: IP20 ▶ 1.5 mm² ▶ Cable diameter: 9.3 ... 11.6 mm

1



- Protected against mismatching and maintenance-free
- Push-in CAGE CLAMP® spring pressure connection technology allows solid conductors to be simply pushed into a unit
- Compact design with 4.4 mm pole spacing

Electrical Data

Coding	A			A / I		
Cross section of single conductor	1 mm ²			1.5 mm ²		
Ratings per	IEC/EN 60664-1			IEC/EN 60664-1		
Overtoltage category	III	III	II	III	III	II
Pollution degree	3	2	2	3	2	2
Rated voltage	400 V	-	-	400 V	-	-
Rated impulse voltage	6 kV	-	-	6 kV	-	-
Rated current	13 A	-	-	16 A	-	-
Approvals per	UL 1977			UL 1977		
Rated voltage	600 V			600 V		
Rated current	12 A			12 A		

Material Data

Insulating material	Polyamide 66 (PA 66)
Flammability class per UL94	V0
Contact material	Copper or copper alloy, surface-treated
Reaction to fire class per EN 50575	E _{ca}

Mechanical Data

Mating force of a plug-in connection	approx. 20 ... 70 N (depending on pole number)
Unmating force of a plug-in connection	when unlocked: approx. 20 ... 70 N (depending on pole number)
Retention force of a plug-in connection	when locked: > 80N
Protection class	IP20
Note on protection class	Only in mated condition with strain relief housing (These compact connectors are not designed for use in open, easily accessible areas.)
Mismatching protection	All WINSTA® components are 100 % protected against mismatching in terms of: <ul style="list-style-type: none"> • Plugging a different number of poles • Plugging when rotated by 180° • Plugging when laterally staggered • Plugging one pole

Environmental Requirements

Processing temperature	-5 ... +40 °C
Continuous operating temperature	-35 ... +85 °C
Note on continuous service temperature	PVC cable for temperatures ≤ 70 °C (including halogen-free) Insulating parts for temperatures ≤ 105 °C

Cables with different fire load are available in the eShop

Application note for the U.S. market (USR): Some versions may also be used for current interruption in accordance with the UL certificate in select applications with currents below 5 A and voltages up to 600 V. For further information, please contact your local sales office.

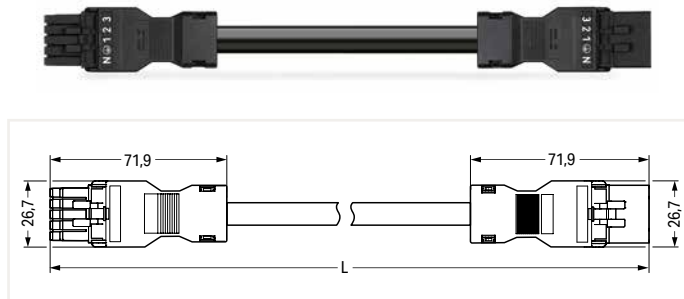
Additional information, see "Technical Section"

Approvals and corresponding ratings, visit www.wago.com

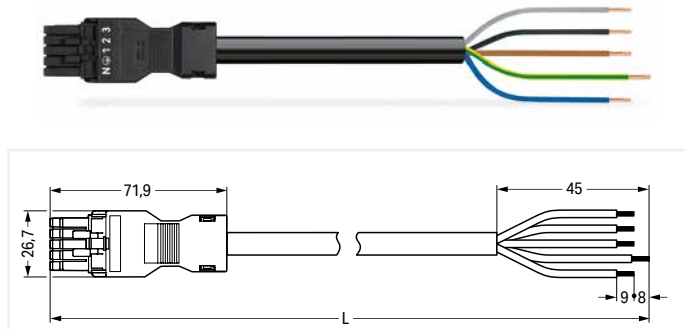
Cable Assembly ▶ WINSTA® MINI ▶ 891 Series

No. of poles: 5 ▶ Protection class: IP20 ▶ 1.5 mm² ▶ Cable diameter: 9.3 ... 11.6 mm ▶ Coding: A ▶

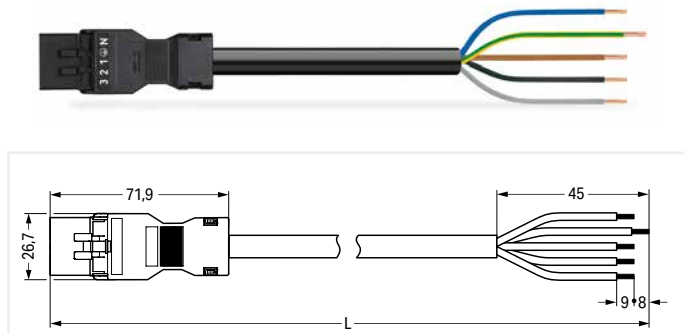
Marking: N ⊕ 1 2 3 ▶ PVC ▶ H05VV-F 5G1.5



Total length	Connector color/Strain relief color		PU
	black/black	white/white	
1 m	891-8995/006-101	891-8995/006-102	1
2 m	891-8995/006-201	891-8995/006-202	1
3 m	891-8995/006-301	891-8995/006-302	1
4 m	891-8995/006-401	891-8995/006-402	1
5 m	891-8995/006-501	891-8995/006-502	1
6 m	891-8995/006-601	891-8995/006-602	1
7 m	891-8995/006-701	891-8995/006-702	1
8 m	891-8995/006-801	891-8995/006-802	1



Total length	Connector color/Strain relief color		PU
	black/black	white/white	
1 m	891-8995/106-101	891-8995/106-102	1
2 m	891-8995/106-201	891-8995/106-202	1
3 m	891-8995/106-301	891-8995/106-302	1
4 m	891-8995/106-401	891-8995/106-402	1
5 m	891-8995/106-501	891-8995/106-502	1
6 m	891-8995/106-601	891-8995/106-602	1
7 m	891-8995/106-701	891-8995/106-702	1
8 m	891-8995/106-801	891-8995/106-802	1



Total length	Connector color/Strain relief color		PU
	black/black	white/white	
1 m	891-8995/206-101	891-8995/206-102	1
2 m	891-8995/206-201	891-8995/206-202	1
3 m	891-8995/206-301	891-8995/206-302	1
4 m	891-8995/206-401	891-8995/206-402	1
5 m	891-8995/206-501	891-8995/206-502	1
6 m	891-8995/206-601	891-8995/206-602	1
7 m	891-8995/206-701	891-8995/206-702	1
8 m	891-8995/206-801	891-8995/206-802	1

Accessories; for all products on this page



Locking lever; for flying leads; manually operated		
Color	Item No.	PU (SPU)
● black	890-101	100 (50)
○ white	890-121	100 (50)

Locking lever; for flying leads; tool operated		
Color	Item No.	PU (SPU)
● black	890-111	100 (50)
○ white	890-131	100 (50)

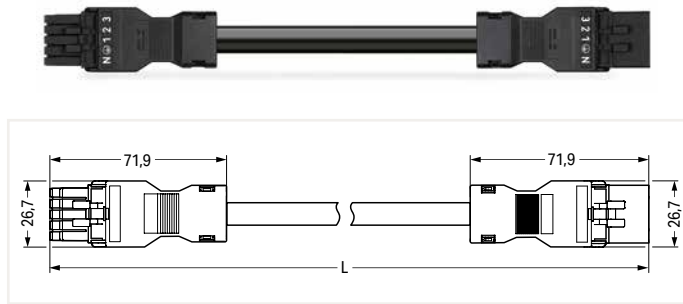
Mounting adapter; for 2- to 5-pole for flying leads		
Color	Item No.	PU
● black	890-310	100
○ white	890-311	100

PU = Packaging Unit; SPU = Subpackaging Unit; Dimensions in mm

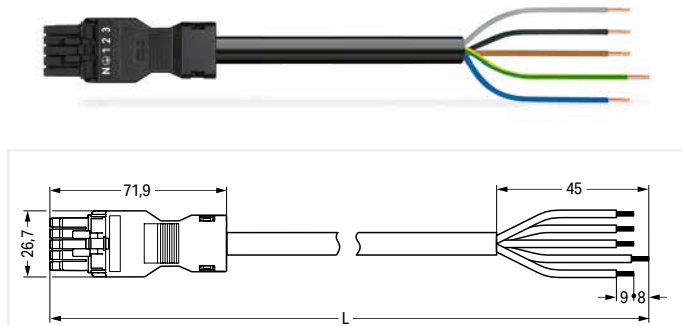
Cable Assembly ▶ WINSTA® MINI ▶ 891 Series

No. of poles: 5 ▶ Protection class: IP20 ▶ 1.5 mm² ▶ Cable diameter: 9.3 ... 11.6 mm ▶ Coding: A ▶ Marking: N ⊕ 1 2 3 ▶ Halogen-free ▶ H05Z1Z1-F 5G1.5

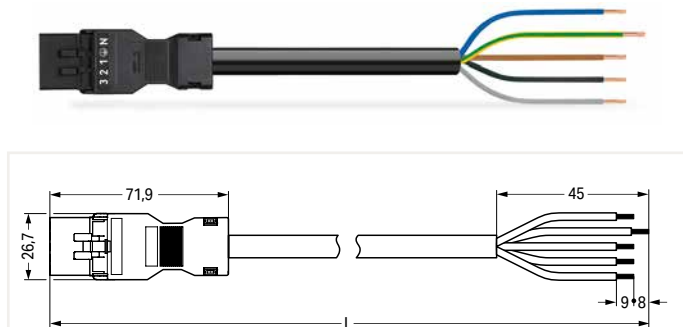
1



Interconnecting cable ▶ Socket - Plug			
Total length	Connector color/Strain relief color		PU
	black/black	white/white	
1 m	891-8995/016-101	891-8995/016-102	1
2 m	891-8995/016-201	891-8995/016-202	1
3 m	891-8995/016-301	891-8995/016-302	1
4 m	891-8995/016-401	891-8995/016-402	1
5 m	891-8995/016-501	891-8995/016-502	1
6 m	891-8995/016-601	891-8995/016-602	1
7 m	891-8995/016-701	891-8995/016-702	1
8 m	891-8995/016-801	891-8995/016-802	1



Connecting cable ▶ Socket - Free end			
Total length	Connector color/Strain relief color		PU
	black/black	white/white	
1 m	891-8995/116-101	891-8995/116-102	1
2 m	891-8995/116-201	891-8995/116-202	1
3 m	891-8995/116-301	891-8995/116-302	1
4 m	891-8995/116-401	891-8995/116-402	1
5 m	891-8995/116-501	891-8995/116-502	1
6 m	891-8995/116-601	891-8995/116-602	1
7 m	891-8995/116-701	891-8995/116-702	1
8 m	891-8995/116-801	891-8995/116-802	1



Connecting cable ▶ Plug - Free end			
Total length	Connector color/Strain relief color		PU
	black/black	white/white	
1 m	891-8995/216-101	891-8995/216-102	1
2 m	891-8995/216-201	891-8995/216-202	1
3 m	891-8995/216-301	891-8995/216-302	1
4 m	891-8995/216-401	891-8995/216-402	1
5 m	891-8995/216-501	891-8995/216-502	1
6 m	891-8995/216-601	891-8995/216-602	1
7 m	891-8995/216-701	891-8995/216-702	1
8 m	891-8995/216-801	891-8995/216-802	1

Accessories; for all products on this page



Locking lever; for flying leads; manually operated		
Color	Item No.	PU (SPU)
● black	890-101	100 (50)
○ white	890-121	100 (50)

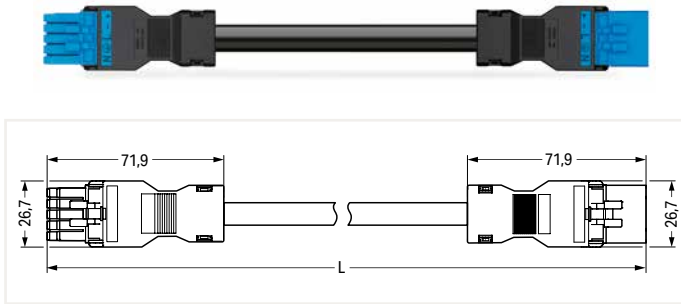
Locking lever; for flying leads; tool operated		
Color	Item No.	PU (SPU)
● black	890-111	100 (50)
○ white	890-131	100 (50)

Mounting adapter; for 2- to 5-pole for flying leads		
Color	Item No.	PU
● black	890-310	100
○ white	890-311	100

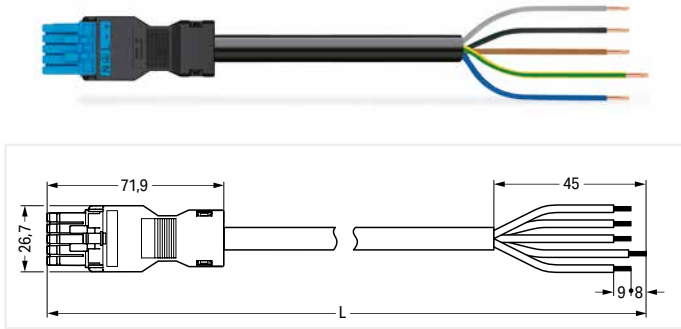
PU = Packaging Unit; SPU = Subpackaging Unit; Dimensions in mm

Cable Assembly ▶ WINSTA® MINI ▶ 891 Series

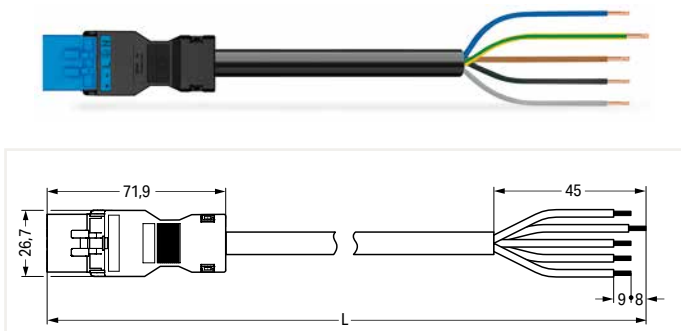
No. of poles: 5 ▶ Protection class: IP20 ▶ 1.5 mm² ▶ Cable diameter: 9.3 ... 11.6 mm ▶ Coding: I ▶ Marking: N ⊕ L - + ▶ PVC ▶ H05VV-F 5G1.5



Total length	Connector color/Strain relief color		PU
	blue/black	blue/white	
1 m	891-8985/006-101	891-8985/006-102	1
2 m	891-8985/006-201	891-8985/006-202	1
3 m	891-8985/006-301	891-8985/006-302	1
4 m	891-8985/006-401	891-8985/006-402	1
5 m	891-8985/006-501	891-8985/006-502	1
6 m	891-8985/006-601	891-8985/006-602	1
7 m	891-8985/006-701	891-8985/006-702	1
8 m	891-8985/006-801	891-8985/006-802	1



Total length	Connector color/Strain relief color		PU
	blue/black	blue/white	
1 m	891-8985/106-101	891-8985/106-102	1
2 m	891-8985/106-201	891-8985/106-202	1
3 m	891-8985/106-301	891-8985/106-302	1
4 m	891-8985/106-401	891-8985/106-402	1
5 m	891-8985/106-501	891-8985/106-502	1
6 m	891-8985/106-601	891-8985/106-602	1
7 m	891-8985/106-701	891-8985/106-702	1
8 m	891-8985/106-801	891-8985/106-802	1



Total length	Connector color/Strain relief color		PU
	blue/black	blue/white	
1 m	891-8985/206-101	891-8985/206-102	1
2 m	891-8985/206-201	891-8985/206-202	1
3 m	891-8985/206-301	891-8985/206-302	1
4 m	891-8985/206-401	891-8985/206-402	1
5 m	891-8985/206-501	891-8985/206-502	1
6 m	891-8985/206-601	891-8985/206-602	1
7 m	891-8985/206-701	891-8985/206-702	1
8 m	891-8985/206-801	891-8985/206-802	1

Accessories; for all products on this page



Locking lever; for flying leads; manually operated		
Color	Item No.	PU (SPU)
● black	890-101	100 (50)
○ white	890-121	100 (50)

Locking lever; for flying leads; tool operated		
Color	Item No.	PU (SPU)
● black	890-111	100 (50)
○ white	890-131	100 (50)

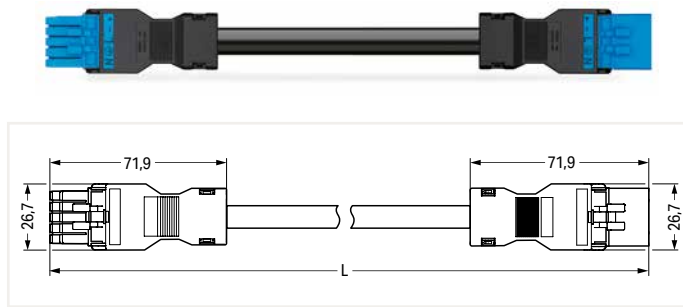
Mounting adapter; for 2- to 5-pole for flying leads		
Color	Item No.	PU
● black	890-310	100
○ white	890-311	100

PU = Packaging Unit; SPU = Subpackaging Unit; Dimensions in mm

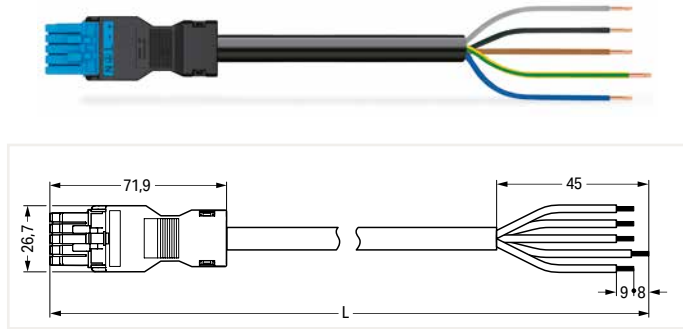
Cable Assembly ▶ WINSTA® MINI ▶ 891 Series

No. of poles: 5 ▶ Protection class: IP20 ▶ 1.5 mm² ▶ Cable diameter: 9.3 ... 11.6 mm ▶ Coding: I ▶ Marking: N ⊕ L - + ▶ Halogen-free ▶ H05Z1Z1-F 5G1.5

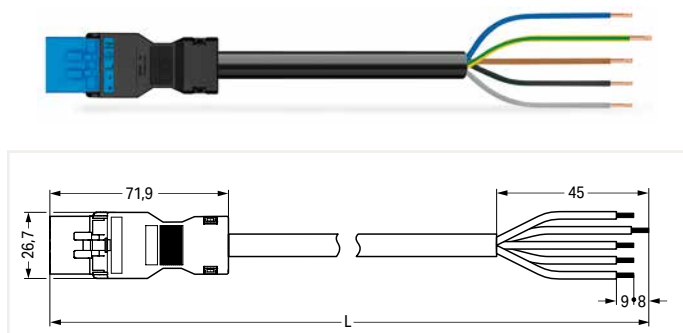
1



Interconnecting cable ▶ Socket - Plug			
Total length	Connector color/Strain relief color		PU
	blue/black	blue/white	
1 m	891-8985/016-101	891-8985/016-102	1
2 m	891-8985/016-201	891-8985/016-202	1
3 m	891-8985/016-301	891-8985/016-302	1
4 m	891-8985/016-401	891-8985/016-402	1
5 m	891-8985/016-501	891-8985/016-502	1
6 m	891-8985/016-601	891-8985/016-602	1
7 m	891-8985/016-701	891-8985/016-702	1
8 m	891-8985/016-801	891-8985/016-802	1



Connecting cable ▶ Socket - Free end			
Total length	Connector color/Strain relief color		PU
	blue/black	blue/white	
1 m	891-8985/116-101	891-8985/116-102	1
2 m	891-8985/116-201	891-8985/116-202	1
3 m	891-8985/116-301	891-8985/116-302	1
4 m	891-8985/116-401	891-8985/116-402	1
5 m	891-8985/116-501	891-8985/116-502	1
6 m	891-8985/116-601	891-8985/116-602	1
7 m	891-8985/116-701	891-8985/116-702	1
8 m	891-8985/116-801	891-8985/116-802	1



Connecting cable ▶ Plug - Free end			
Total length	Connector color/Strain relief color		PU
	blue/black	blue/white	
1 m	891-8985/216-101	891-8985/216-102	1
2 m	891-8985/216-201	891-8985/216-202	1
3 m	891-8985/216-301	891-8985/216-302	1
4 m	891-8985/216-401	891-8985/216-402	1
5 m	891-8985/216-501	891-8985/216-502	1
6 m	891-8985/216-601	891-8985/216-602	1
7 m	891-8985/216-701	891-8985/216-702	1
8 m	891-8985/216-801	891-8985/216-802	1

Accessories; for all products on this page



Locking lever; for flying leads; manually operated		
Color	Item No.	PU (SPU)
● black	890-101	100 (50)
○ white	890-121	100 (50)

Locking lever; for flying leads; tool operated		
Color	Item No.	PU (SPU)
● black	890-111	100 (50)
○ white	890-131	100 (50)

Mounting adapter; for 2- to 5-pole for flying leads		
Color	Item No.	PU
● black	890-310	100
○ white	890-311	100

PU = Packaging Unit; SPU = Subpackaging Unit; Dimensions in mm



WAGO Pluggable Connection System *WINSTA*[®] MINI special






Important note:

B-Coded components from the *WINSTA*[®] MINI special series are designed for specialty applications (e.g., measurement, control and regulation technology) and certified per DIN EN 61984. In addition to the gray models rated from 110 to 400 V, there is now also a variant in light green for low voltages up to 48 V, as well as a pink one for bus applications. Each of the three versions is available in 2-, 3- or 4- and 5-pole configurations. Pole marking can be printed at the factory to suit customer requirements. B-coded products are protected against mismatching with all other coding types found in the *WINSTA*[®] system. Within B-coding, all special variants can mate with each other. Special variants can be clearly differentiated according to color and pole marking.

WAGO Pluggable Connection System WINSTA® MINI special ▶ 890, 891 Series

1.5 mm² / 16 A

- Note:**
- Installation connectors are designed for connection and disconnection while not under load.
 - There is no hazard-inducing interchangeability with systems based on IEC 60309, IEC 60320, IEC 60906 and with national connector and socket systems.
 - Compliance with the standards does not guarantee hazard-preventing, non-interchangeability with installation connector systems from various manufacturers.
 - Installation connector systems are not a substitute for residential connector/socket systems.

	Page	
	Pluggable Connectors; 890 Series	
	2-pole	114
	3-pole	128
	4-pole	142
	5-pole	158
	Snap-In Device Connectors; 890 Series	
	2-pole	116
	3-pole	130
	4-pole	144
	5-pole	160
	Pluggable PCB Connectors; 890 Series	
	2-pole	118
	3-pole	132
	4-pole	146
	5-pole	162
	Distribution Connectors; 890 Series	
	2-pole	122
	3-pole	136
	4-pole	150
	Cable Assemblies; 891 Series	
	2-pole	124
	3-pole	138
	4-pole	154
	5-pole	166

WINSTA® MINI special ▶ 890, 891 Series

Description and Installation

2



Gray, B-coded connector with "3 2 1" marking, e.g., control signal (A circuit)



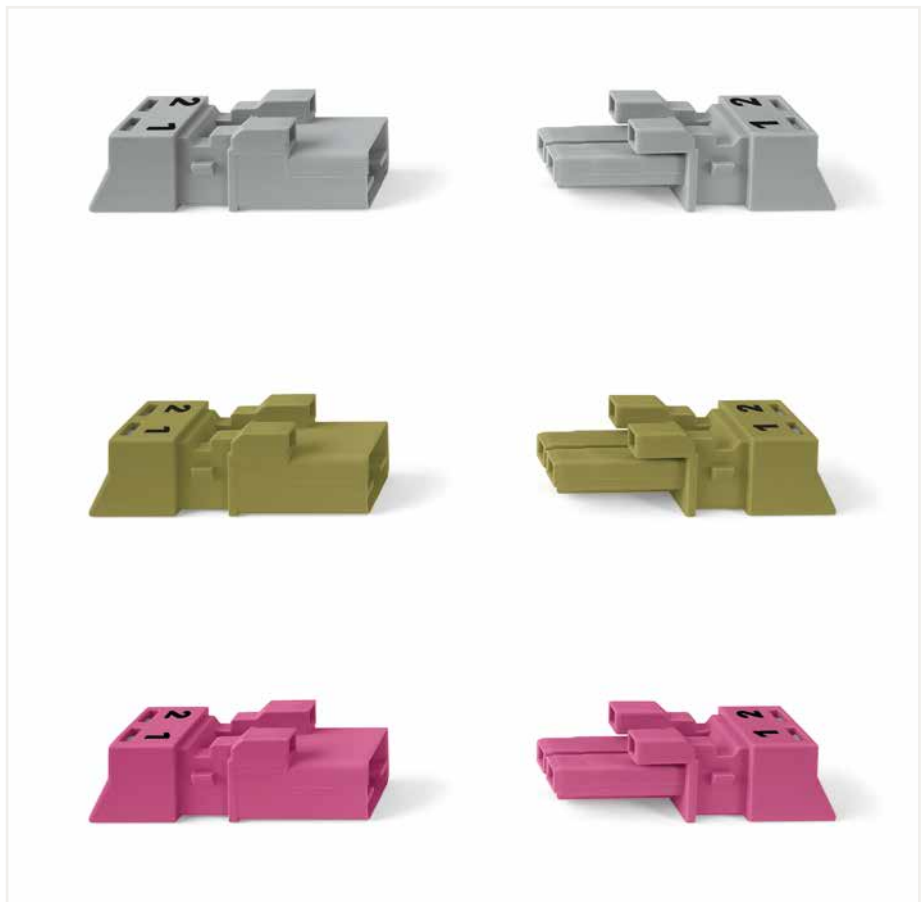
Easy circuit identification via different marking and colors



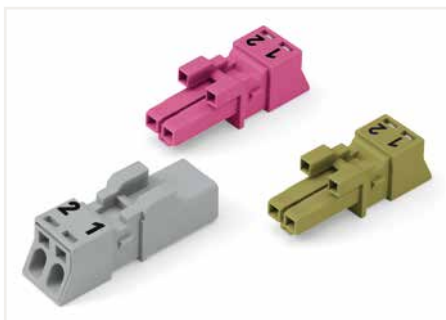
B-coded connectors (shown in gray) not only differ in color, but also in their design, making them incompatible with other coded connectors.



Light green, B-coded connector with "3 2 1" marking, e.g., DC power supply (24 V circuit)



Pink, B-coded connector with "3 2 1" marking, e.g., control signal (B circuit)



B-coded connectors with different colors can be plugged together.

Important note:

Different colors and/or pole markings are used for circuit identification.

Only connectors of the same color and same pole marking must be plugged together.



Pluggable Connector ▶ WINSTA® MINI special ▶ 890 Series

No. of poles: 2



- Protected against mismatching and maintenance-free
- Push-in CAGE CLAMP® spring pressure connection technology allows solid conductors to be simply pushed into a unit
- Compact design with 4.4 mm pole spacing
- Components can be clearly printed on and color-coded to meet custom requirements

Electrical Data

Ratings per	IEC/EN 60664-1		
Overvoltage category	III	III	II
Pollution degree	3	2	2
Rated voltage	250 V	-	-
Rated impulse voltage	4 kV	-	-
Rated current	16 A	-	-
Approvals per	UL 1977		
Rated voltage	600 V		
Rated current	14 A		

Connection Data

Connection technology	Push-in CAGE CLAMP®
Strip length	9 mm / 0.35 Inch
Nominal cross section	1.5 mm ²
Solid conductor	0.25 ... 1.5 mm ² / 22 ... 16 AWG
Solid conductor, push-in termination	0.75 ... 1.5 mm ² / 20 ... 16 AWG
Stranded conductor	0.25 ... 1 mm ² / 22 ... 18 AWG
Fine-stranded conductor	0.25 ... 1.5 mm ² / 22 ... 16 AWG
Fine-stranded conductor with ferrule with plastic collar	0.25 ... 0.75 mm ² / 22 ... 20 AWG
Fine-stranded conductor with ferrule without plastic collar	0.25 ... 0.75 mm ² / 22 ... 20 AWG
Fine-stranded conductor with ferrule, push-in termination, from	0.75 mm ² / 20 AWG

Material Data

Insulating material	Polyamide 66 (PA 66)
Flammability class per UL94	V0
Clamping spring material	Chrome nickel spring steel (CrNi)
Contact material	Copper or copper alloy, surface-treated

Mechanical Data

Mating force of a plug-in connection	Approx. 20 ... 70 N (depending on pole number)
Unmating force of a plug-in connection	When unlocked: approx. 20 ... 70 N (depending on pole number)
Retention force of a plug-in connection	When locked: > 80 N
Protection class	IP20
Note on protection class	Only in mated condition with strain relief housing (These compact connectors are not designed for use in open, easily accessible areas.)

Environmental Requirements

Processing temperature	-5 ... +40 °C
Continuous operating temperature	-35 ... +85 °C
Note on continuous service temperature	Insulating parts for temperatures ≤ 105 °C

All connectors for mounted installations (snap-in versions for lighting fixtures or devices, all types of PCB and distribution connectors) are factory-equipped with locking levers to ensure plugs and sockets are securely locked. Additional locking levers are only required for flying leads (plug/socket).

Application note for the U.S. market (USR): Some versions may also be used for current interruption in accordance with the UL certificate in select applications with currents below 5 A and voltages up to 600 V. For further information, please contact your local sales office.

Tools Page 506

Additional information, see "Technical Section"

Approvals and corresponding ratings, visit www.wago.com

Pluggable Connector ▶ WINSTA® MINI special ▶ 890 Series

No. of poles: 2

Female connector/socket

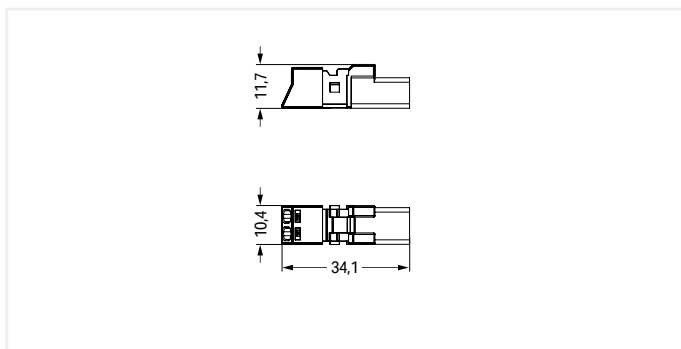
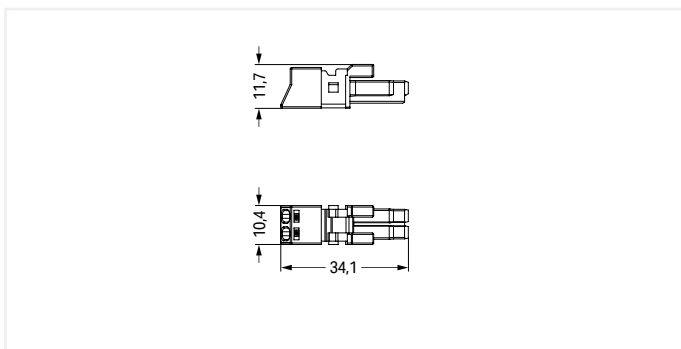
Male connector/plug



2

Color	Coding	Marking	Item No.	PU
gray	B	1 2	890-242	50
gray	B	L N	890-242/060-000	50
light green	B	1 2	890-262	50
pink	B	+ -	890-282/082-000	50
pink	B	1 2	890-282	50
pink	B	I+ I-	890-282/080-000	50

Color	Coding	Marking	Item No.	PU
gray	B	1 2	890-252	50
gray	B	L N	890-252/060-000	50
light green	B	1 2	890-272	50
pink	B	+ -	890-292/082-000	50
pink	B	1 2	890-292	50
pink	B	I+ I-	890-292/080-000	50



Accessories; for all products on this page



Locking lever; for flying leads; manually operated		
Color	Item No.	PU (SPU)
● black	890-101	100 (50)
○ white	890-121	100 (50)



Locking lever; for flying leads; tool operated		
Color	Item No.	PU (SPU)
● black	890-111	100 (50)
○ white	890-131	100 (50)



Mounting adapter; for 2- to 5-pole for flying leads		
Color	Item No.	PU
● black	890-310	100
○ white	890-311	100



Operating tool; for WINSTA® MINI connectors; No. of poles: 2		
Item No.	PU	
890-382	1	



Strain relief housing; Connectable sheathed cable diameter: 3.8 ... 8.2 mm; Strip length: 32 mm		
Color	Item No.	PU
● black	890-502	50
○ white	890-512	50



Strain relief housing; Connectable sheathed cable diameter: 3.8 ... 8.2 mm; Strip length: 17.5 mm		
Color	Item No.	PU
● black	890-502/342-000	50
○ white	890-512/342-000	50

PU = Packaging Unit; SPU = Subpackaging Unit; Dimensions in mm

Other variants can be requested via the WAGO sales department or, if necessary, configured at <https://configurator.wago.com/>:

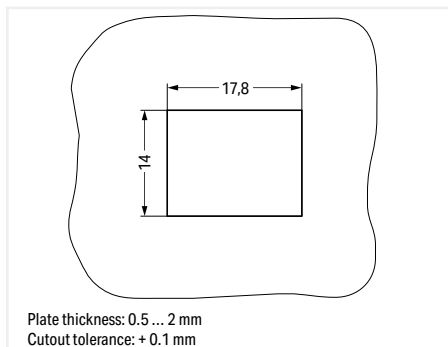
- Other pole markings

Snap-In Device Connector ▶ WINSTA® MINI special ▶ 890 Series

No. of poles: 2



- Protected against mismatching and maintenance-free
- Push-in CAGE CLAMP® spring pressure connection technology allows solid conductors to be simply pushed into a unit
- Compact design with 4.4 mm pole spacing
- Components can be clearly printed on and color-coded to meet custom requirements



Electrical Data

Ratings per	IEC/EN 60664-1		
Overvoltage category	III	III	II
Pollution degree	3	2	2
Rated voltage	250 V	-	-
Rated impulse voltage	4 kV	-	-
Rated current	16 A	-	-
Approvals per	UL 1977		
Rated voltage	600 V		
Rated current	14 A		

Connection Data

Connection technology	Push-in CAGE CLAMP®
Strip length	9 mm / 0.35 Inch
Nominal cross section	1.5 mm ²
Solid conductor	0.25 ... 1.5 mm ² / 22 ... 16 AWG
Solid conductor, push-in termination	0.75 ... 1.5 mm ² / 20 ... 16 AWG
Stranded conductor	0.25 ... 1 mm ² / 22 ... 18 AWG
Fine-stranded conductor	0.25 ... 1.5 mm ² / 22 ... 16 AWG
Fine-stranded conductor with ferrule with plastic collar	0.25 ... 0.75 mm ² / 22 ... 20 AWG
Fine-stranded conductor with ferrule without plastic collar	0.25 ... 0.75 mm ² / 22 ... 20 AWG
Fine-stranded conductor with ferrule, push-in termination, from	0.75 mm ² / 20 AWG

Material Data

Insulating material	Polyamide 66 (PA 66)
Flammability class per UL94	V0
Clamping spring material	Chrome nickel spring steel (CrNi)
Contact material	Copper or copper alloy, surface-treated

Mechanical Data

Mating force of a plug-in connection	Approx. 20 ... 70 N (depending on pole number)
Unmating force of a plug-in connection	When unlocked: approx. 20 ... 70 N (depending on pole number)
Retention force of a plug-in connection	When locked: > 80 N
Protection class	IP20
Note on protection class	Only in mated condition with strain relief housing (These compact connectors are not designed for use in open, easily accessible areas.)

Environmental Requirements

Processing temperature	-5 ... +40 °C
Continuous operating temperature	-35 ... +85 °C
Note on continuous service temperature	Insulating parts for temperatures ≤ 105 °C

All connectors for mounted installations (snap-in versions for lighting fixtures or devices, all types of PCB and distribution connectors) are factory-equipped with locking levers to ensure plugs and sockets are securely locked. Additional locking levers are only required for flying leads (plug/socket).

Application note for the U.S. market (USR): Some versions may also be used for current interruption in accordance with the UL certificate in select applications with currents below 5 A and voltages up to 600 V. For further information, please contact your local sales office.

Tools Page 506

Additional information, see "Technical Section"

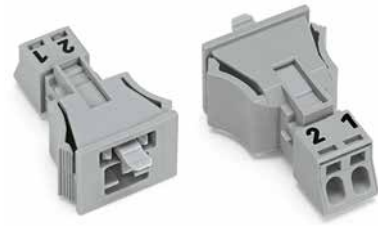
Approvals and corresponding ratings, visit www.wago.com

Snap-In Device Connector ▶ WINSTA® MINI special ▶ 890 Series

No. of poles: 2

Female connector/socket

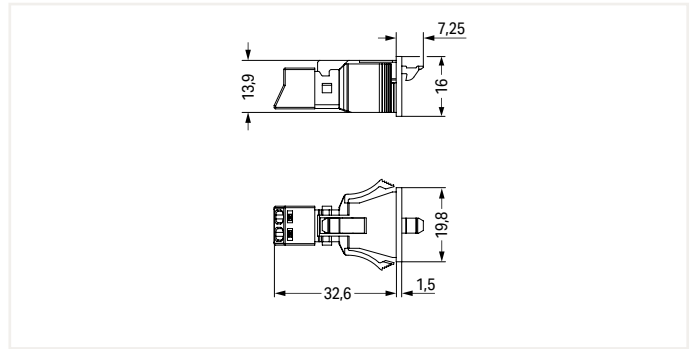
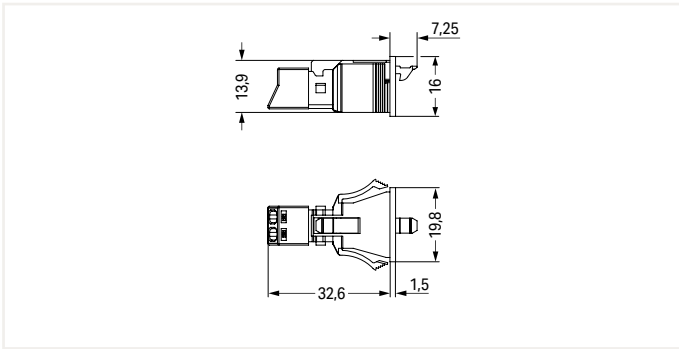
Male connector/plug



2

Color	Coding	Marking	Item No.	PU (SPU)
● gray	B	1 2	890-742	50 (50)
● gray	B	L N	890-742/060-000	50 (50)
● light green	B	1 2	890-762	50 (50)
● pink	B	+ -	890-782/082-000	50 (50)
● pink	B	1 2	890-782	50 (50)
● pink	B	I+ I-	890-782/080-000	50 (50)

Color	Coding	Marking	Item No.	PU (SPU)
● gray	B	1 2	890-752	50 (50)
● gray	B	L N	890-752/060-000	50 (50)
● light green	B	1 2	890-772	50 (50)
● pink	B	+ -	890-792/082-000	50 (50)
● pink	B	1 2	890-792	50 (50)
● pink	B	I+ I-	890-792/080-000	50 (50)



Accessories; for all products on this page



Operating tool; for WINSTA® MINI connectors; No. of poles: 2		
Item No.	PU	
890-382	1	

Lockout cap; for cutout; No. of poles: 2		
Color	Item No.	PU
● black	890-642	100
○ white	890-692	100

PU = Packaging Unit; SPU = Subpackaging Unit; Dimensions in mm

Other variants can be requested via the WAGO sales department or, if necessary, configured at <https://configurator.wago.com/>:

- Other pole markings

Pluggable PCB Connector ▶ WINSTA® MINI special ▶ 890 Series

No. of poles: 2

2



- Protected against mismatching and maintenance-free
- Push-in CAGE CLAMP® spring pressure connection technology allows solid conductors to be simply pushed into a unit
- Compact design with 4.4 mm pole spacing
- Components can be clearly printed on and color-coded to meet custom requirements

Electrical Data

Ratings per	IEC/EN 60664-1		
Overvoltage category	III	III	II
Pollution degree	3	2	2
Rated voltage	250 V	-	-
Rated impulse voltage	4 kV	-	-
Rated current	16 A	-	-
Approvals per	UL 1977		
Rated voltage	600 V		
Rated current	14 A		

Material Data

Insulating material	Polyamide 66 (PA 66)
Flammability class per UL94	V0
Contact material	Copper or copper alloy, surface-treated

Mechanical Data

Solder pin arrangement	2 in-line solder pins/pole
Solder pin length	3.5 mm
Solder pin dimensions	1 x 0.8 mm
Drilled hole diameter (tolerance)	1.3 ^(+0.1) mm
Mating force of a plug-in connection	Approx. 20 ... 70 N (depending on pole number)
Unmating force of a plug-in connection	When unlocked: approx. 20 ... 70 N (depending on pole number)
Retention force of a plug-in connection	When locked: > 80 N
Protection class	IP20
Note on protection class	Only in mated condition with strain relief housing (These compact connectors are not designed for use in open, easily accessible areas.)

Environmental Requirements

Processing temperature	-5 ... +40 °C
Continuous operating temperature	-35 ... +85 °C
Note on continuous service temperature	Insulating parts for temperatures ≤ 105 °C

All connectors for mounted installations (snap-in versions for lighting fixtures or devices, all types of PCB and distribution connectors) are factory-equipped with locking levers to ensure plugs and sockets are securely locked. Additional locking levers are only required for flying leads (plug/socket).

Application note for the U.S. market (USR): Some versions may also be used for current interruption in accordance with the UL certificate in select applications with currents below 5 A and voltages up to 600 V. For further information, please contact your local sales office.

Additional information, see "Technical Section"

Approvals and corresponding ratings, visit www.wago.com

Pluggable PCB Connector ▶ WINSTA® MINI special ▶ 890 Series

No. of poles: 2

Straight ▶ Female connector/socket

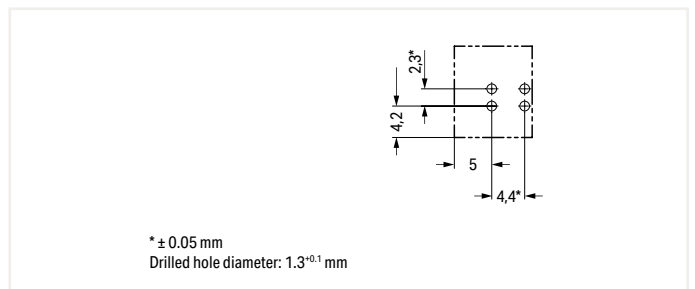
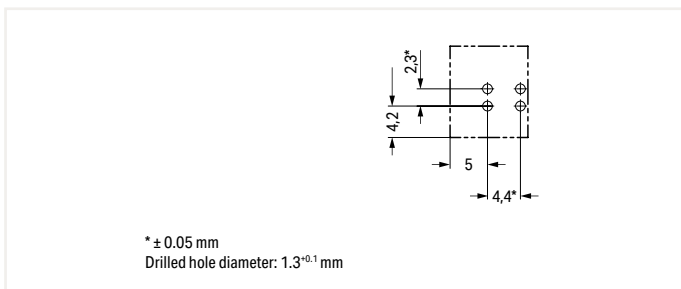
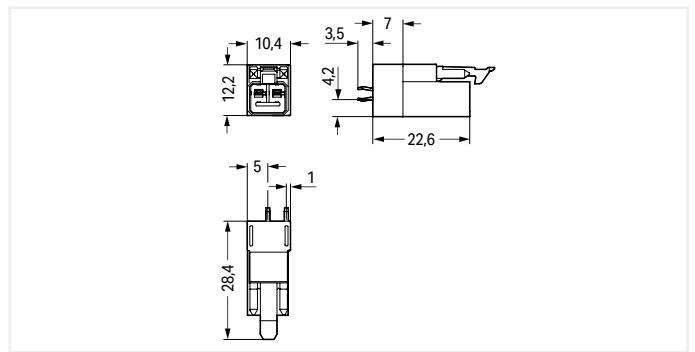
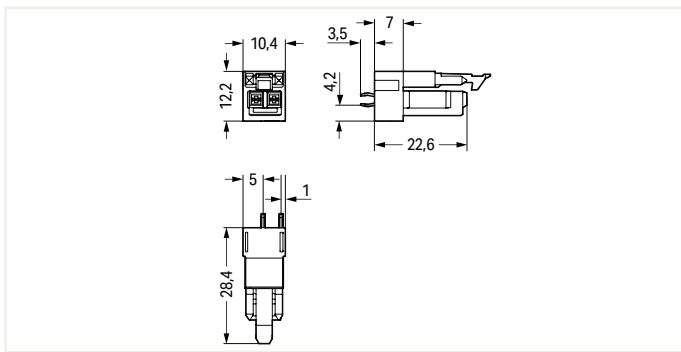
Straight ▶ Male connector/plug



2

Color	Coding	Marking	Item No.	PU
gray	B	1 2	890-842	100
light green	B	1 2	890-862	100
pink	B	1 2	890-882	100

Color	Coding	Marking	Item No.	PU
gray	B	1 2	890-852	100
light green	B	1 2	890-872	100
pink	B	1 2	890-892	100



PU = Packaging Unit; SPU = Subpackaging Unit; Dimensions in mm

Other variants can be requested via the WAGO sales department or, if necessary, configured at <https://configurator.wago.com/>:

- Other pole markings

Pluggable PCB Connector ▶ WINSTA® MINI special ▶ 890 Series

No. of poles: 2

Angled ▶ Female connector/socket

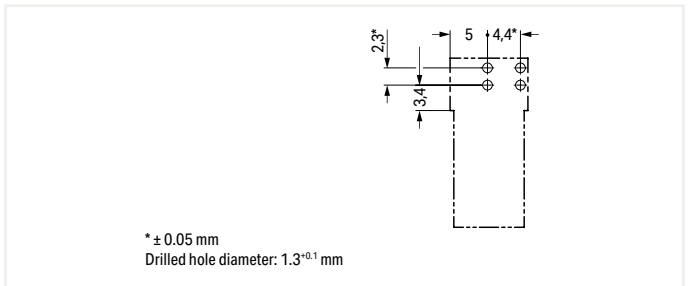
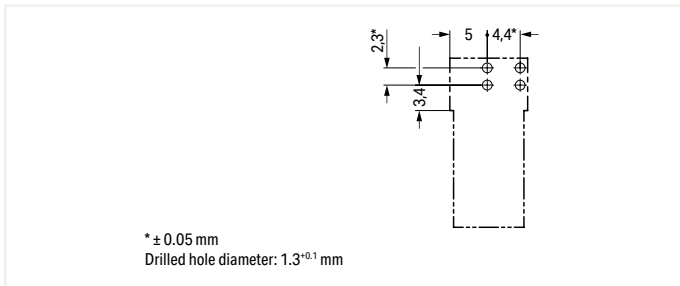
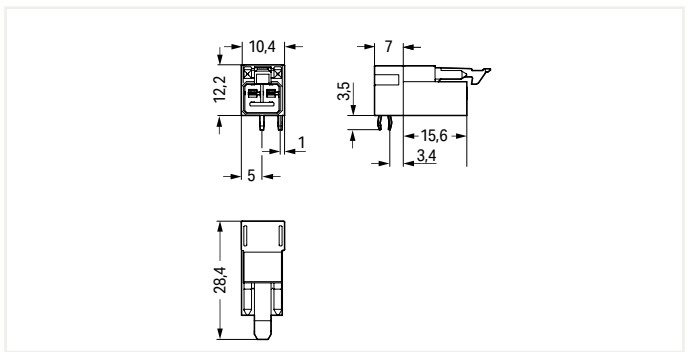
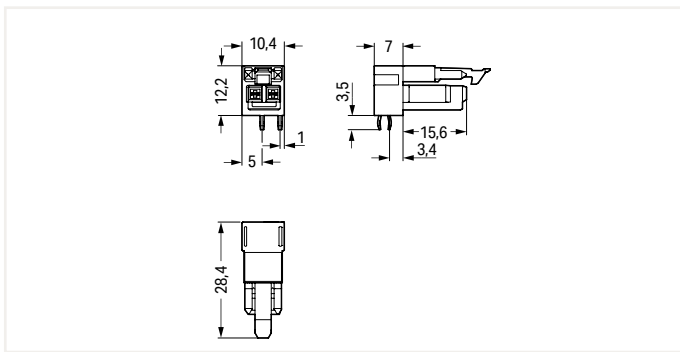
Angled ▶ Male connector/plug

2



Color	Coding	Marking	Item No.	PU
gray	B	1 2	890-842/011-000	100
light green	B	1 2	890-862/011-000	100
pink	B	1 2	890-882/011-000	100

Color	Coding	Marking	Item No.	PU
gray	B	1 2	890-852/011-000	100
light green	B	1 2	890-872/011-000	100
pink	B	1 2	890-892/011-000	100



PU = Packaging Unit; SPU = Subpackaging Unit; Dimensions in mm

Other variants can be requested via the WAGO sales department or, if necessary, configured at <https://configurator.wago.com/>:

- Other pole markings

Distribution Connector ▶ WINSTA® MINI special ▶ 890 Series

No. of poles: 2 ▶ T-distribution connector



- Protected against mismatching and maintenance-free
- Push-in CAGE CLAMP® spring pressure connection technology allows solid conductors to be simply pushed into a unit
- Compact design with 4.4 mm pole spacing
- Components can be clearly printed on and color-coded to meet custom requirements

Electrical Data

Ratings per		IEC/EN 60664-1		
Overvoltage category		III	III	II
Pollution degree		3	2	2
Rated voltage		250 V	-	-
Rated impulse voltage		4 kV	-	-
Rated current		16 A	-	-
Approvals per		UL 1977		
Rated voltage		600 V		
Rated current		14 A		

Material Data

Insulating material	Polyamide 66 (PA 66)
Flammability class per UL94	V0
Contact material	Copper or copper alloy, surface-treated

Mechanical Data

Mating force of a plug-in connection	Approx. 20 ... 70 N (depending on pole number)
Unmating force of a plug-in connection	When unlocked: approx. 20 ... 70 N (depending on pole number)
Retention force of a plug-in connection	When locked: > 80 N
Protection class	IP20
Note on protection class	Only in mated condition (These compact connectors are not designed for use in open, easily accessible areas.)

Environmental Requirements

Processing temperature	-5 ... +40 °C
Continuous operating temperature	-35 ... +85 °C
Note on continuous service temperature	Insulating parts for temperatures ≤ 105 °C

All connectors for mounted installations (snap-in versions for lighting fixtures or devices, all types of PCB and distribution connectors) are factory-equipped with locking levers to ensure plugs and sockets are securely locked. Additional locking levers are only required for flying leads (plug/socket).

Application note for the U.S. market (USR): Some versions may also be used for current interruption in accordance with the UL certificate in select applications with currents below 5 A and voltages up to 600 V. For further information, please contact your local sales office.

Additional information, see "Technical Section"

Approvals and corresponding ratings, visit www.wago.com

Distribution Connector ▶ WINSTA® MINI special ▶ 890 Series

No. of poles: 2 ▶ T-distribution connector

Number of locking levers: 2

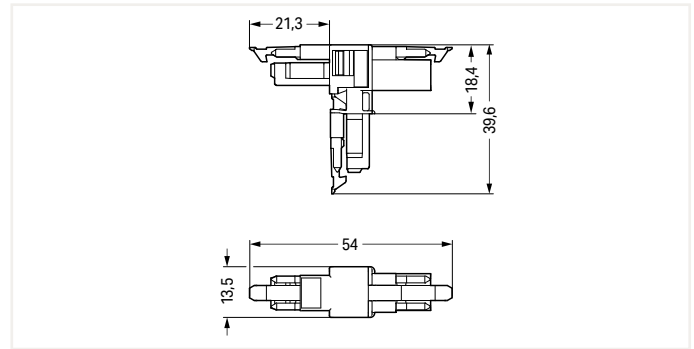
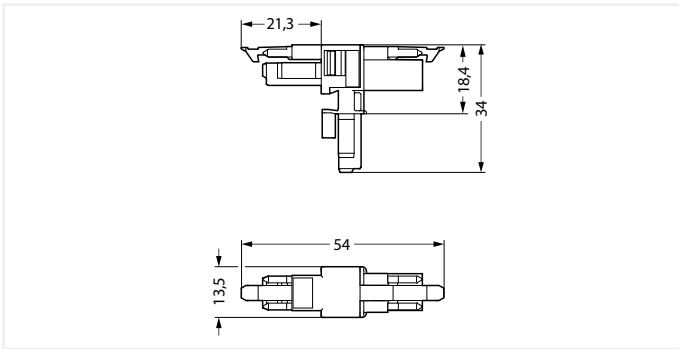
Number of locking levers: 3



Fig. similar

Color	Coding	Marking	Item No.	PU
gray	B	1 2	890-1601	25
light green	B	1 2	890-1602	25
pink	B	1 2	890-1603	25

Color	Coding	Marking	Item No.	PU
gray	B	1 2	890-1701	25
light green	B	1 2	890-1702	25
pink	B	1 2	890-1703	25



PU = Packaging Unit; SPU = Subpackaging Unit; Dimensions in mm

Other variants can be requested via the WAGO sales department or, if necessary, configured at <https://configurator.wago.com/>:

- Other pole markings

Cable Assembly ▶ WINSTA® MINI special ▶ 891 Series

No. of poles: 2 ▶ Protection class: IP20 ▶ Coding: B ▶ Marking: 1 2 ▶ PVC



- Protected against mismatching and maintenance-free
- Push-in CAGE CLAMP® spring pressure connection technology allows solid conductors to be simply pushed into a unit
- Compact design with 4.4 mm pole spacing
- Components can be clearly printed on and color-coded to meet custom requirements

Electrical Data						
Cross section of single conductor	1 mm ²			1.5 mm ²		
Ratings per	IEC/EN 60664-1			IEC/EN 60664-1		
Overvoltage category	III	III	II	III	III	II
Pollution degree	3	2	2	3	2	2
Rated voltage	250 V	-	-	250 V	-	-
Rated impulse voltage	4 kV	-	-	4 kV	-	-
Rated current	10 A	-	-	16 A	-	-
Approvals per	UL 1977			UL 1977		
Rated voltage	600 V			600 V		
Rated current	14 A			14 A		

Material Data	
Insulating material	Polyamide 66 (PA 66)
Flammability class per UL94	V0
Contact material	Copper or copper alloy, surface-treated

Mechanical Data	
Mating force of a plug-in connection	approx. 20 ... 70 N (depending on pole number)
Unmating force of a plug-in connection	when unlocked: approx. 20 ... 70 N (depending on pole number)
Retention force of a plug-in connection	when locked: > 80N
Protection class	IP20
Note on protection class	Only in mated condition with strain relief housing (These compact connectors are not designed for use in open, easily accessible areas.)

Environmental Requirements	
Processing temperature	-5 ... +40 °C
Continuous operating temperature	-35 ... +85 °C
Note on continuous service temperature	PVC cable for temperatures ≤ 70 °C (including halogen-free) Insulating parts for temperatures ≤ 105 °C

Cables with different fire load are available in the eShop

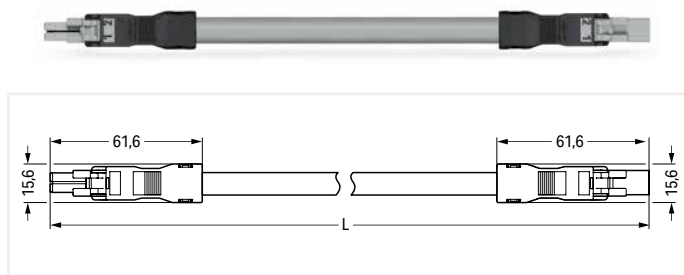
Application note for the U.S. market (USR): Some versions may also be used for current interruption in accordance with the UL certificate in select applications with currents below 5 A and voltages up to 600 V. For further information, please contact your local sales office.

Additional information, see "Technical Section"

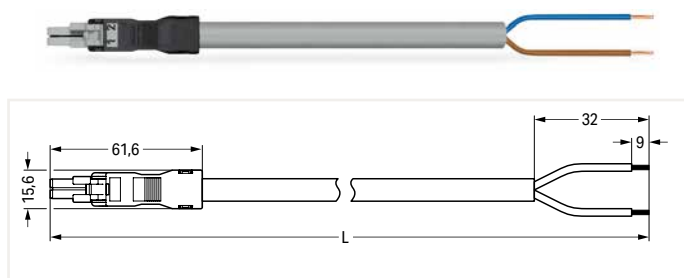
Approvals and corresponding ratings, visit www.wago.com

Cable Assembly ▶ WINSTA® MINI special ▶ 891 Series

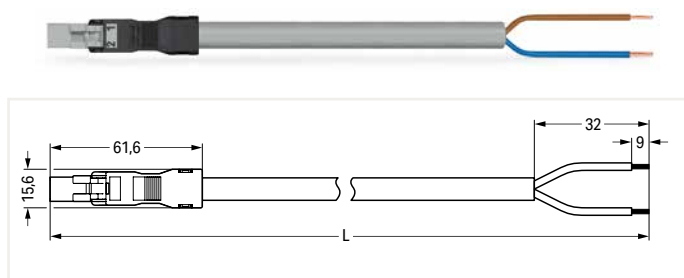
No. of poles: 2 ▶ Protection class: IP20 ▶ Coding: B ▶ Marking: 1 2 ▶ PVC ▶ 1 mm² ▶ Cable diameter: 5.9 ... 7.5 mm ▶ Control line 2 x 1



Interconnecting cable ▶ Socket - Plug				
Total length	Connector color/Strain relief color			PU
	gray/black	light green/black	pink/black	
1 m	891-8992/005-103	891-8992/005-105	891-8992/005-107	1
2 m	891-8992/005-203	891-8992/005-205	891-8992/005-207	1
3 m	891-8992/005-303	891-8992/005-305	891-8992/005-307	1
4 m	891-8992/005-403	891-8992/005-405	891-8992/005-407	1
5 m	891-8992/005-503	891-8992/005-505	891-8992/005-507	1
6 m	891-8992/005-603	891-8992/005-605	891-8992/005-607	1
7 m	891-8992/005-703	891-8992/005-705	891-8992/005-707	1
8 m	891-8992/005-803	891-8992/005-805	891-8992/005-807	1



Connecting cable ▶ Socket - Free end				
Total length	Connector color/Strain relief color			PU
	gray/black	light green/black	pink/black	
1 m	891-8992/105-103	891-8992/105-105	891-8992/105-107	1
2 m	891-8992/105-203	891-8992/105-205	891-8992/105-207	1
3 m	891-8992/105-303	891-8992/105-305	891-8992/105-307	1
4 m	891-8992/105-403	891-8992/105-405	891-8992/105-407	1
5 m	891-8992/105-503	891-8992/105-505	891-8992/105-507	1
6 m	891-8992/105-603	891-8992/105-605	891-8992/105-607	1
7 m	891-8992/105-703	891-8992/105-705	891-8992/105-707	1
8 m	891-8992/105-803	891-8992/105-805	891-8992/105-807	1



Connecting cable ▶ Plug - Free end				
Total length	Connector color/Strain relief color			PU
	gray/black	light green/black	pink/black	
1 m	891-8992/205-103	891-8992/205-105	891-8992/205-107	1
2 m	891-8992/205-203	891-8992/205-205	891-8992/205-207	1
3 m	891-8992/205-303	891-8992/205-305	891-8992/205-307	1
4 m	891-8992/205-403	891-8992/205-405	891-8992/205-407	1
5 m	891-8992/205-503	891-8992/205-505	891-8992/205-507	1
6 m	891-8992/205-603	891-8992/205-605	891-8992/205-607	1
7 m	891-8992/205-703	891-8992/205-705	891-8992/205-707	1
8 m	891-8992/205-803	891-8992/205-805	891-8992/205-807	1

2

Accessories; for all products on this page



Locking lever; for flying leads; manually operated		
Color	Item No.	PU (SPU)
● black	890-101	100 (50)
○ white	890-121	100 (50)

Locking lever; for flying leads; tool operated		
Color	Item No.	PU (SPU)
● black	890-111	100 (50)
○ white	890-131	100 (50)

Mounting adapter; for 2- to 5-pole for flying leads		
Color	Item No.	PU
● black	890-310	100
○ white	890-311	100

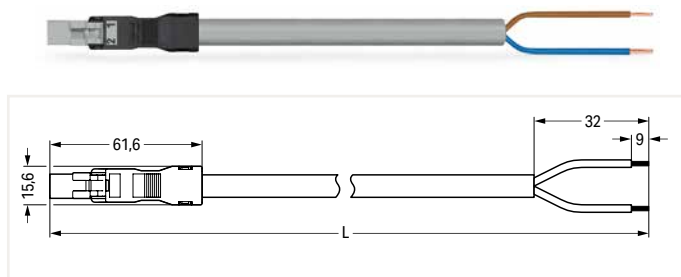
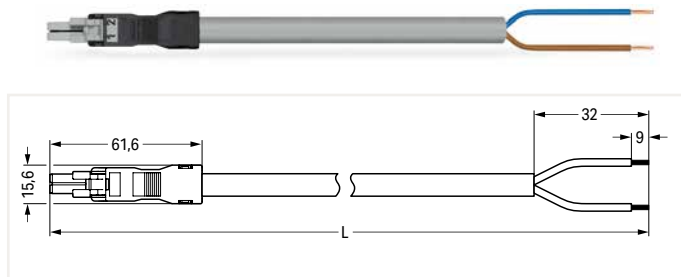
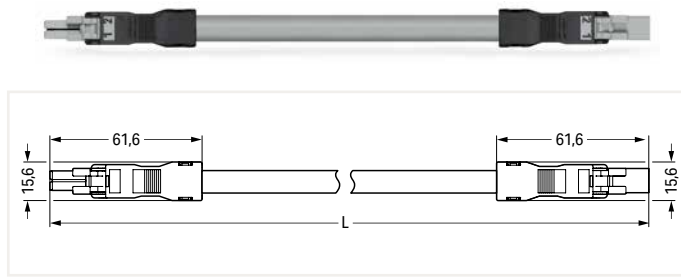
PU = Packaging Unit; SPU = Subpackaging Unit; Dimensions in mm

Other variants can be requested via the WAGO sales department or, if necessary, configured at <https://configurator.wago.com/>:
 • Other pole markings

Cable Assembly ▶ WINSTA® MINI special ▶ 891 Series

No. of poles: 2 ▶ Protection class: IP20 ▶ Coding: B ▶ Marking: 1 2 ▶ PVC ▶ 1.5 mm² ▶ Cable diameter: 6.8 ... 8.6 mm ▶ Control line 2 x 1.5

2



Interconnecting cable ▶ Socket - Plug				
Total length	Connector color/Strain relief color			PU
	gray/black	light green/black	pink/black	
1 m	891-8992/006-103	891-8992/006-105	891-8992/006-107	1
2 m	891-8992/006-203	891-8992/006-205	891-8992/006-207	1
3 m	891-8992/006-303	891-8992/006-305	891-8992/006-307	1
4 m	891-8992/006-403	891-8992/006-405	891-8992/006-407	1
5 m	891-8992/006-503	891-8992/006-505	891-8992/006-507	1
6 m	891-8992/006-603	891-8992/006-605	891-8992/006-607	1
7 m	891-8992/006-703	891-8992/006-705	891-8992/006-707	1
8 m	891-8992/006-803	891-8992/006-805	891-8992/006-807	1

Connecting cable ▶ Socket - Free end				
Total length	Connector color/Strain relief color			PU
	gray/black	light green/black	pink/black	
1 m	891-8992/106-103	891-8992/106-105	891-8992/106-107	1
2 m	891-8992/106-203	891-8992/106-205	891-8992/106-207	1
3 m	891-8992/106-303	891-8992/106-305	891-8992/106-307	1
4 m	891-8992/106-403	891-8992/106-405	891-8992/106-407	1
5 m	891-8992/106-503	891-8992/106-505	891-8992/106-507	1
6 m	891-8992/106-603	891-8992/106-605	891-8992/106-607	1
7 m	891-8992/106-703	891-8992/106-705	891-8992/106-707	1
8 m	891-8992/106-803	891-8992/106-805	891-8992/106-807	1

Connecting cable ▶ Plug - Free end				
Total length	Connector color/Strain relief color			PU
	gray/black	light green/black	pink/black	
1 m	891-8992/206-103	891-8992/206-105	891-8992/206-107	1
2 m	891-8992/206-203	891-8992/206-205	891-8992/206-207	1
3 m	891-8992/206-303	891-8992/206-305	891-8992/206-307	1
4 m	891-8992/206-403	891-8992/206-405	891-8992/206-407	1
5 m	891-8992/206-503	891-8992/206-505	891-8992/206-507	1
6 m	891-8992/206-603	891-8992/206-605	891-8992/206-607	1
7 m	891-8992/206-703	891-8992/206-705	891-8992/206-707	1
8 m	891-8992/206-803	891-8992/206-805	891-8992/206-807	1

Accessories; for all products on this page



Locking lever; for flying leads; manually operated		
Color	Item No.	PU (SPU)
● black	890-101	100 (50)
○ white	890-121	100 (50)

Locking lever; for flying leads; tool operated		
Color	Item No.	PU (SPU)
● black	890-111	100 (50)
○ white	890-131	100 (50)

Mounting adapter; for 2- to 5-pole for flying leads		
Color	Item No.	PU
● black	890-310	100
○ white	890-311	100

PU = Packaging Unit; SPU = Subpackaging Unit; Dimensions in mm

Other variants can be requested via the WAGO sales department or, if necessary, configured at <https://configurator.wago.com/>:

- Other pole markings

Pluggable Connector ▶ WINSTA® MINI special ▶ 890 Series

No. of poles: 3



- Protected against mismatching and maintenance-free
- Push-in CAGE CLAMP® spring pressure connection technology allows solid conductors to be simply pushed into a unit
- Compact design with 4.4 mm pole spacing
- Components can be clearly printed on and color-coded to meet custom requirements

Electrical Data

Ratings per	IEC/EN 60664-1		
Oversvoltage category	III	III	II
Pollution degree	3	2	2
Rated voltage	250 V	-	-
Rated impulse voltage	4 kV	-	-
Rated current	16 A	-	-
Note on rated current	13 A for 3-pole load		
Approvals per	UL 1977		
Rated voltage	600 V		
Rated current	14 A		

Connection Data

Connection technology	Push-in CAGE CLAMP®
Strip length	9 mm / 0.35 Inch
Nominal cross section	1.5 mm ²
Solid conductor	0.25 ... 1.5 mm ² / 22 ... 16 AWG
Solid conductor, push-in termination	0.75 ... 1.5 mm ² / 20 ... 16 AWG
Stranded conductor	0.25 ... 1 mm ² / 22 ... 18 AWG
Fine-stranded conductor	0.25 ... 1.5 mm ² / 22 ... 16 AWG
Fine-stranded conductor with ferrule with plastic collar	0.25 ... 0.75 mm ² / 22 ... 20 AWG
Fine-stranded conductor with ferrule without plastic collar	0.25 ... 0.75 mm ² / 22 ... 20 AWG
Fine-stranded conductor with ferrule, push-in termination, from	0.75 mm ² / 20 AWG

Material Data

Insulating material	Polyamide 66 (PA 66)
Flammability class per UL94	V0
Clamping spring material	Chrome nickel spring steel (CrNi)
Contact material	Copper or copper alloy, surface-treated

Mechanical Data

Mating force of a plug-in connection	Approx. 20 ... 70 N (depending on pole number)
Unmating force of a plug-in connection	When unlocked: approx. 20 ... 70 N (depending on pole number)
Retention force of a plug-in connection	When locked: > 80 N
Protection class	IP20
Note on protection class	Only in mated condition with strain relief housing (These compact connectors are not designed for use in open, easily accessible areas.)

Environmental Requirements

Processing temperature	-5 ... +40 °C
Continuous operating temperature	-35 ... +85 °C
Note on continuous service temperature	Insulating parts for temperatures ≤ 105 °C

All connectors for mounted installations (snap-in versions for lighting fixtures or devices, all types of PCB and distribution connectors) are factory-equipped with locking levers to ensure plugs and sockets are securely locked. Additional locking levers are only required for flying leads (plug/socket).

Application note for the U.S. market (USR): Some versions may also be used for current interruption in accordance with the UL certificate in select applications with currents below 5 A and voltages up to 600 V. For further information, please contact your local sales office.

Tools Page 506

Additional information, see "Technical Section"

Approvals and corresponding ratings, visit www.wago.com

Pluggable Connector ▶ WINSTA® MINI special ▶ 890 Series

No. of poles: 3

Female connector/socket

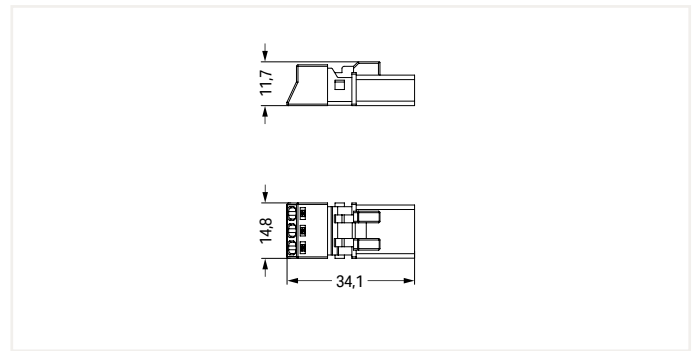
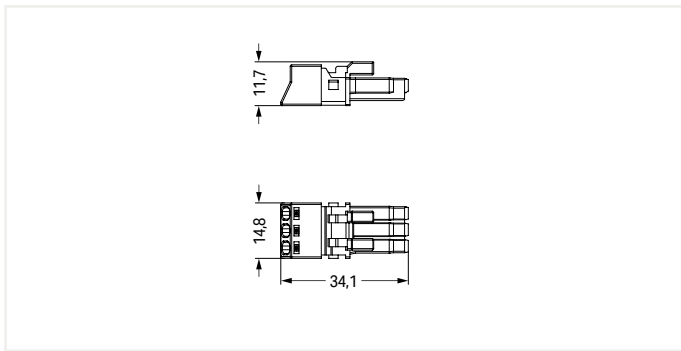
Male connector/plug



2

Color	Coding	Marking	Item No.	PU
gray	B	1 2 3	890-243	50
gray	B	L ⊕ N	890-243/060-000	50
gray	B	2 PE 1	890-243/062-000	50
light green	B	1 2 3	890-263	50
light green	B	U+ X/Y U-	890-263/071-000	50
light green	B	1 ⊕ 2	890-263/073-000	50
pink	B	1 2 3	890-283	50
pink	B	1 2 5	890-283/081-000	50
pink	B	+ S -	890-283/082-000	50

Color	Coding	Marking	Item No.	PU
gray	B	1 2 3	890-253	50
gray	B	L ⊕ N	890-253/060-000	50
gray	B	2 PE 1	890-253/062-000	50
light green	B	1 2 3	890-273	50
light green	B	U+ X/Y U-	890-273/071-000	50
light green	B	1 ⊕ 2	890-273/073-000	50
pink	B	1 2 3	890-293	50
pink	B	1 2 5	890-293/081-000	50
pink	B	+ S -	890-293/082-000	50



Accessories; for all products on this page



Locking lever; for flying leads; manually operated		
Color	Item No.	PU (SPU)
black	890-101	100 (50)
white	890-121	100 (50)



Locking lever; for flying leads; tool operated		
Color	Item No.	PU (SPU)
black	890-111	100 (50)
white	890-131	100 (50)



Mounting adapter; for 2- to 5-pole for flying leads		
Color	Item No.	PU
black	890-310	100
white	890-311	100



Operating tool; for WINSTA® MINI connectors; No. of poles: 3		
Item No.	PU	
890-383	1	



Strain relief housing; Connectable sheathed cable diameter: 4.5 ... 10 mm; Strip length: 40 mm		
Color	Item No.	PU
black	890-503	50
white	890-513	50

PU = Packaging Unit; SPU = Subpackaging Unit; Dimensions in mm

Other variants can be requested via the WAGO sales department or, if necessary, configured at <https://configurator.wago.com/>:

- Other pole markings

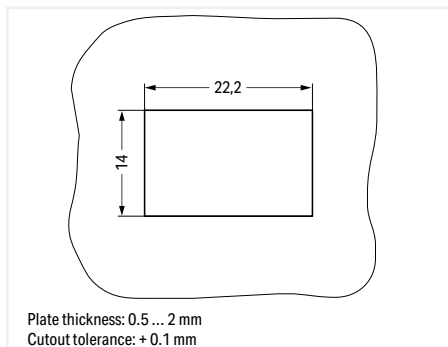
Snap-In Device Connector ▶ WINSTA® MINI special ▶ 890 Series

No. of poles: 3



- Protected against mismatching and maintenance-free
- Push-in CAGE CLAMP® spring pressure connection technology allows solid conductors to be simply pushed into a unit
- Compact design with 4.4 mm pole spacing
- Components can be clearly printed on and color-coded to meet custom requirements

2



Electrical Data

Ratings per	IEC/EN 60664-1		
Overtoltage category	III	III	II
Pollution degree	3	2	2
Rated voltage	250 V	-	-
Rated impulse voltage	4 kV	-	-
Rated current	16 A	-	-
Note on rated current	13 A for 3-pole load		
Approvals per	UL 1977		
Rated voltage	600 V		
Rated current	14 A		

Connection Data

Connection technology	Push-in CAGE CLAMP®
Strip length	9 mm / 0.35 Inch
Nominal cross section	1.5 mm ²
Solid conductor	0.25 ... 1.5 mm ² / 22 ... 16 AWG
Solid conductor, push-in termination	0.75 ... 1.5 mm ² / 20 ... 16 AWG
Stranded conductor	0.25 ... 1 mm ² / 22 ... 18 AWG
Fine-stranded conductor	0.25 ... 1.5 mm ² / 22 ... 16 AWG
Fine-stranded conductor with ferrule with plastic collar	0.25 ... 0.75 mm ² / 22 ... 20 AWG
Fine-stranded conductor with ferrule without plastic collar	0.25 ... 0.75 mm ² / 22 ... 20 AWG
Fine-stranded conductor with ferrule, push-in termination, from	0.75 mm ² / 20 AWG

Material Data

Insulating material	Polyamide 66 (PA 66)
Flammability class per UL94	V0
Clamping spring material	Chrome nickel spring steel (CrNi)
Contact material	Copper or copper alloy, surface-treated

Mechanical Data

Mating force of a plug-in connection	Approx. 20 ... 70 N (depending on pole number)
Unmating force of a plug-in connection	When unlocked: approx. 20 ... 70 N (depending on pole number)
Retention force of a plug-in connection	When locked: > 80 N
Protection class	IP20
Note on protection class	Only in mated condition with strain relief housing (These compact connectors are not designed for use in open, easily accessible areas.)

Environmental Requirements

Processing temperature	-5 ... +40 °C
Continuous operating temperature	-35 ... +85 °C
Note on continuous service temperature	Insulating parts for temperatures ≤ 105 °C

All connectors for mounted installations (snap-in versions for lighting fixtures or devices, all types of PCB and distribution connectors) are factory-equipped with locking levers to ensure plugs and sockets are securely locked. Additional locking levers are only required for flying leads (plug/socket).

Application note for the U.S. market (USR): Some versions may also be used for current interruption in accordance with the UL certificate in select applications with currents below 5 A and voltages up to 600 V. For further information, please contact your local sales office.

Tools Page 506

Additional information, see "Technical Section"

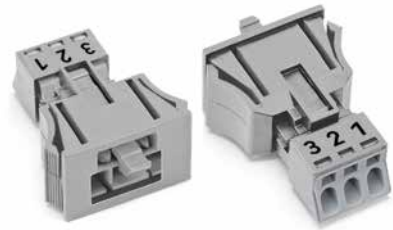
Approvals and corresponding ratings, visit www.wago.com

Snap-In Device Connector ▶ WINSTA® MINI special ▶ 890 Series

No. of poles: 3

Female connector/socket

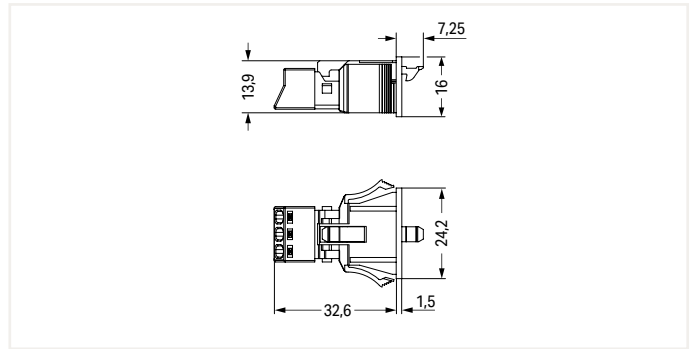
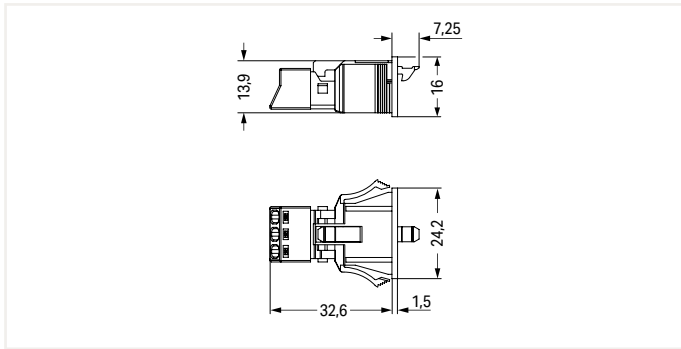
Male connector/plug



2

Color	Coding	Marking	Item No.	PU (SPU)
gray	B	1 2 3	890-743	50 (50)
gray	B	L ⊕ N	890-743/060-000	50 (50)
gray	B	2 PE 1	890-743/062-000	50 (50)
light green	B	1 2 3	890-763	50 (50)
light green	B	U+ X/Y U-	890-763/071-000	50 (50)
light green	B	1 ⊕ 2	890-763/073-000	50 (50)
pink	B	1 2 3	890-783	50 (50)
pink	B	1 2 5	890-783/081-000	50 (50)
pink	B	+ S -	890-783/082-000	50 (50)

Color	Coding	Marking	Item No.	PU (SPU)
gray	B	1 2 3	890-753	50 (50)
gray	B	L ⊕ N	890-753/060-000	50 (50)
gray	B	2 PE 1	890-753/062-000	50 (50)
light green	B	1 2 3	890-773	50 (50)
light green	B	U+ X/Y U-	890-773/071-000	50 (50)
light green	B	1 ⊕ 2	890-773/073-000	50 (50)
pink	B	1 2 3	890-793	50 (50)
pink	B	1 2 5	890-793/081-000	50 (50)
pink	B	+ S -	890-793/082-000	50 (50)



Accessories; for all products on this page



Operating tool; for WINSTA® MINI connectors; No. of poles: 3		
Item No.	PU	
890-383	1	

Lockout cap; for cutout; No. of poles: 3		
Color	Item No.	PU
● black	890-643	100
○ white	890-693	100

PU = Packaging Unit; SPU = Subpackaging Unit; Dimensions in mm

Other variants can be requested via the WAGO sales department or, if necessary, configured at <https://configurator.wago.com/>:

- Other pole markings

Pluggable PCB Connector ▶ WINSTA® MINI special ▶ 890 Series

No. of poles: 3



- Protected against mismatching and maintenance-free
- Push-in CAGE CLAMP® spring pressure connection technology allows solid conductors to be simply pushed into a unit
- Compact design with 4.4 mm pole spacing
- Components can be clearly printed on and color-coded to meet custom requirements

Electrical Data

Ratings per	IEC/EN 60664-1		
Overvoltage category	III	III	II
Pollution degree	3	2	2
Rated voltage	250 V	-	-
Rated impulse voltage	4 kV	-	-
Rated current	16 A	-	-
Note on rated current	13 A for 3-pole load		
Approvals per	UL 1977		
Rated voltage	600 V		
Rated current	14 A		

Material Data

Insulating material	Polyamide 66 (PA 66)
Flammability class per UL94	V0
Contact material	Copper or copper alloy, surface-treated

Mechanical Data

Solder pin arrangement	2 in-line solder pins/pole
Solder pin length	3.5 mm
Solder pin dimensions	1 x 0.8 mm
Drilled hole diameter (tolerance)	1.3 ^(+0.1) mm
Mating force of a plug-in connection	Approx. 20 ... 70 N (depending on pole number)
Unmating force of a plug-in connection	When unlocked: approx. 20 ... 70 N (depending on pole number)
Retention force of a plug-in connection	When locked: > 80 N
Protection class	IP20
Note on protection class	Only in mated condition with strain relief housing (These compact connectors are not designed for use in open, easily accessible areas.)

Environmental Requirements

Processing temperature	-5 ... +40 °C
Continuous operating temperature	-35 ... +85 °C
Note on continuous service temperature	Insulating parts for temperatures ≤ 105 °C

All connectors for mounted installations (snap-in versions for lighting fixtures or devices, all types of PCB and distribution connectors) are factory-equipped with locking levers to ensure plugs and sockets are securely locked. Additional locking levers are only required for flying leads (plug/socket).

Application note for the U.S. market (USR): Some versions may also be used for current interruption in accordance with the UL certificate in select applications with currents below 5 A and voltages up to 600 V. For further information, please contact your local sales office.

Additional information, see "Technical Section"

Approvals and corresponding ratings, visit www.wago.com

Pluggable PCB Connector ▶ WINSTA® MINI special ▶ 890 Series

No. of poles: 3

Straight ▶ Female connector/socket

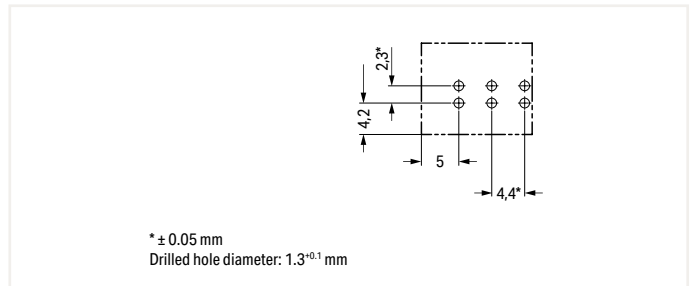
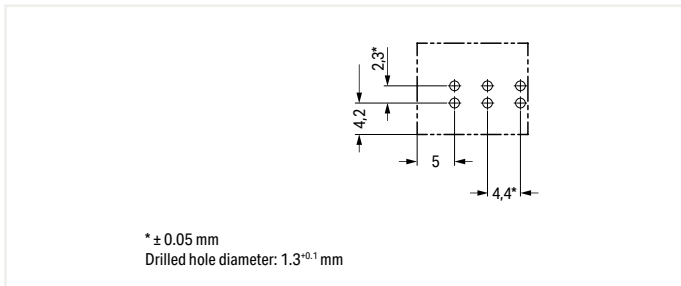
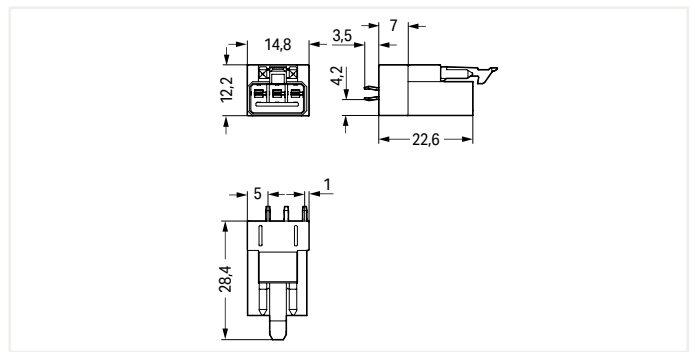
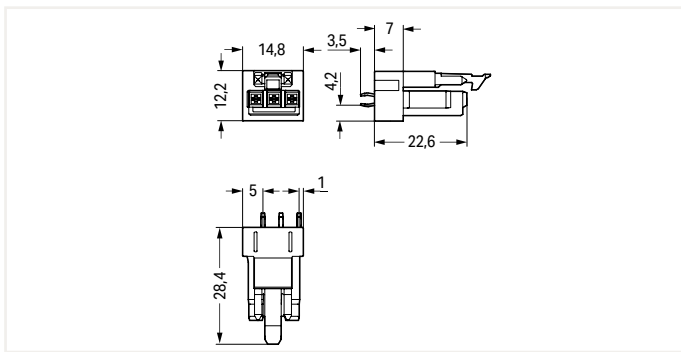
Straight ▶ Male connector/plug



2

Color	Coding	Marking	Item No.	PU
gray	B	1 2 3	890-843	100
light green	B	1 2 3	890-863	100
pink	B	1 2 3	890-883	100

Color	Coding	Marking	Item No.	PU
gray	B	1 2 3	890-853	100
light green	B	1 2 3	890-873	100
pink	B	1 2 3	890-893	100



PU = Packaging Unit; SPU = Subpackaging Unit; Dimensions in mm

Other variants can be requested via the WAGO sales department or, if necessary, configured at <https://configurator.wago.com/>:

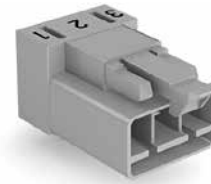
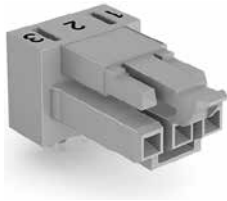
- Other pole markings

Pluggable PCB Connector ▶ WINSTA® MINI special ▶ 890 Series

No. of poles: 3

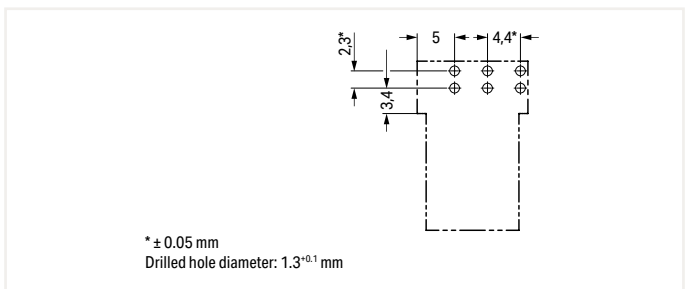
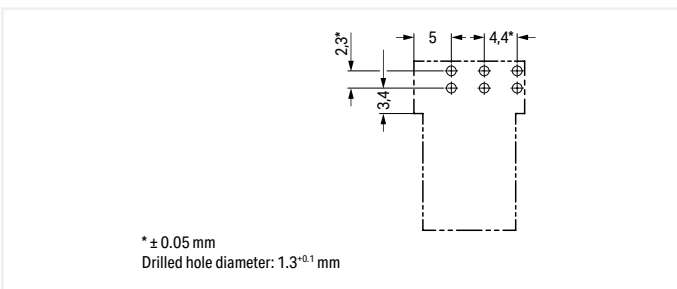
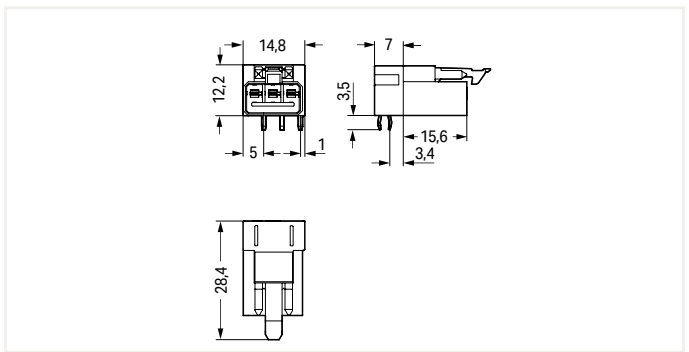
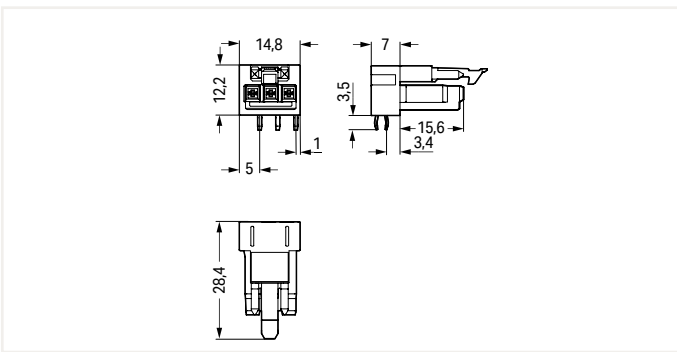
Angled ▶ Female connector/socket

Angled ▶ Male connector/plug



Color	Coding	Marking	Item No.	PU
gray	B	1 2 3	890-843/011-000	100
light green	B	1 2 3	890-863/011-000	100
pink	B	1 2 3	890-883/011-000	100

Color	Coding	Marking	Item No.	PU
gray	B	1 2 3	890-853/011-000	100
light green	B	1 2 3	890-873/011-000	100
pink	B	1 2 3	890-893/011-000	100



PU = Packaging Unit; SPU = Subpackaging Unit; Dimensions in mm

Other variants can be requested via the WAGO sales department or, if necessary, configured at <https://configurator.wago.com/>:

- Other pole markings

Distribution Connector ▶ WINSTA® MINI special ▶ 890 Series**No. of poles: 3 ▶ h-distribution connector, unidirectional**

2



- Protected against mismatching and maintenance-free
- Push-in CAGE CLAMP® spring pressure connection technology allows solid conductors to be simply pushed into a unit
- Compact design with 4.4 mm pole spacing
- Components can be clearly printed on and color-coded to meet custom requirements

Electrical Data

Ratings per	IEC/EN 60664-1		
Overvoltage category	III	III	II
Pollution degree	3	2	2
Rated voltage	250 V	-	-
Rated impulse voltage	4 kV	-	-
Rated current	16 A	-	-
Note on rated current	13 A for 3-pole load		
Approvals per	UL 1977		
Rated voltage	600 V		
Rated current	14 A		

Material Data

Insulating material	Polyamide 66 (PA 66)
Flammability class per UL94	V0
Contact material	Copper or copper alloy, surface-treated

Mechanical Data

Mating force of a plug-in connection	Approx. 20 ... 70 N (depending on pole number)
Unmating force of a plug-in connection	When unlocked: approx. 20 ... 70 N (depending on pole number)
Retention force of a plug-in connection	When locked: > 80 N
Protection class	IP20
Note on protection class	Only in mated condition (These compact connectors are not designed for use in open, easily accessible areas.)

Environmental Requirements

Processing temperature	-5 ... +40 °C
Continuous operating temperature	-35 ... +85 °C
Note on continuous service temperature	Insulating parts for temperatures ≤ 105 °C

All connectors for mounted installations (snap-in versions for lighting fixtures or devices, all types of PCB and distribution connectors) are factory-equipped with locking levers to ensure plugs and sockets are securely locked. Additional locking levers are only required for flying leads (plug/socket).

Application note for the U.S. market (USR): Some versions may also be used for current interruption in accordance with the UL certificate in select applications with currents below 5 A and voltages up to 600 V. For further information, please contact your local sales office.

Additional information, see "Technical Section"

Approvals and corresponding ratings, visit www.wago.com

Distribution Connector ▶ WINSTA® MINI special ▶ 890 Series

No. of poles: 3 ▶ h-distribution connector, unidirectional

Number of locking levers: 2

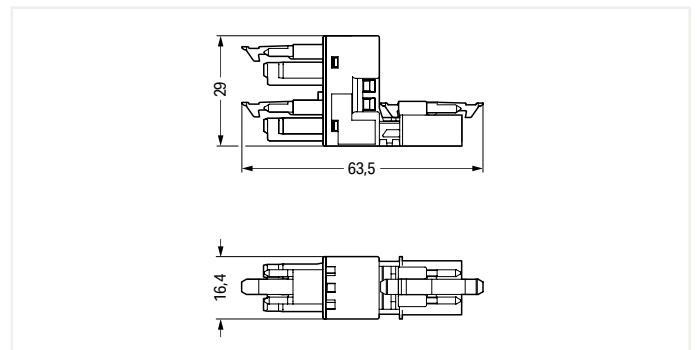
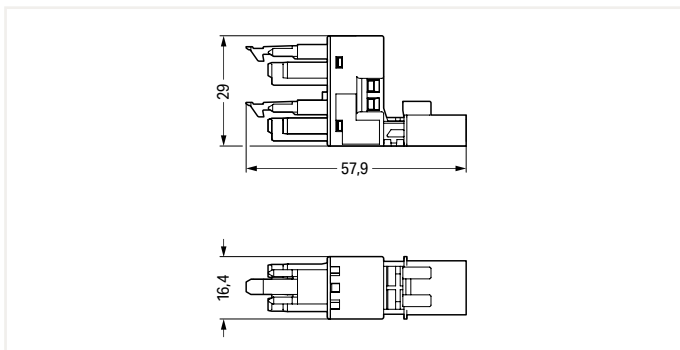
Number of locking levers: 3 ▶ for flying leads



Fig. similar

Color	Coding	Marking	Item No.	PU
gray	B	1 2 3	890-1661	50
light green	B	1 2 3	890-1662	50
pink	B	1 2 3	890-1663	50

Color	Coding	Marking	Item No.	PU
gray	B	1 2 3	890-1761	50
light green	B	1 2 3	890-1762	50
pink	B	1 2 3	890-1763	50



Accessories; for all products on this page



Mounting plate; for distribution connector; No. of poles:
3

Color	Item No.	PU
● black	890-623	50
○ white	890-673	50

PU = Packaging Unit; SPU = Subpackaging Unit; Dimensions in mm

Other variants can be requested via the WAGO sales department or, if necessary, configured at <https://configurator.wago.com/>:

- Other pole markings

Cable Assembly ▶ WINSTA® MINI special ▶ 891 Series

No. of poles: 3 ▶ Protection class: IP20 ▶ Coding: B ▶ Marking: 1 2 3 ▶ PVC

2



- Protected against mismatching and maintenance-free
- Push-in CAGE CLAMP® spring pressure connection technology allows solid conductors to be simply pushed into a unit
- Compact design with 4.4 mm pole spacing
- Components can be clearly printed on and color-coded to meet custom requirements

Electrical Data						
Cross section of single conductor	1 mm ²			1.5 mm ²		
Ratings per	IEC/EN 60664-1			IEC/EN 60664-1		
Overvoltage category	III	III	II	III	III	II
Pollution degree	3	2	2	3	2	2
Rated voltage	250 V	-	-	250 V	-	-
Rated impulse voltage	4 kV	-	-	4 kV	-	-
Rated current	10 A	-	-	16 A	-	-
Note on rated current				13 A for 3-pole load		
Approvals per	UL 1977			UL 1977		
Rated voltage	600 V			600 V		
Rated current	14 A			14 A		

Material Data	
Insulating material	Polyamide 66 (PA 66)
Flammability class per UL94	V0
Contact material	Copper or copper alloy, surface-treated
Reaction to fire class per EN 50575	E _{ca}

Mechanical Data	
Mating force of a plug-in connection	approx. 20 ... 70 N (depending on pole number)
Unmating force of a plug-in connection	when unlocked: approx. 20 ... 70 N (depending on pole number)
Retention force of a plug-in connection	when locked: > 80N
Protection class	IP20
Note on protection class	Only in mated condition with strain relief housing (These compact connectors are not designed for use in open, easily accessible areas.)

Environmental Requirements	
Processing temperature	-5 ... +40 °C
Continuous operating temperature	-35 ... +85 °C
Note on continuous service temperature	PVC cable for temperatures ≤ 70 °C (including halogen-free) Insulating parts for temperatures ≤ 105 °C

Cables with different fire load are available in the eShop

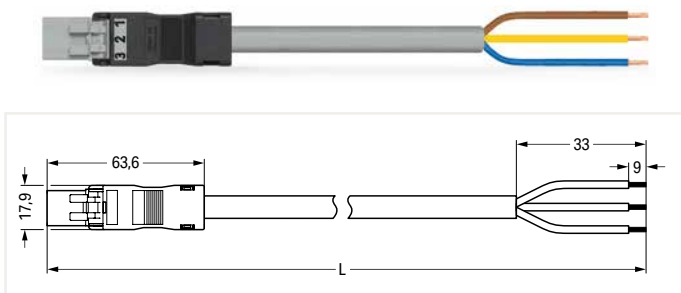
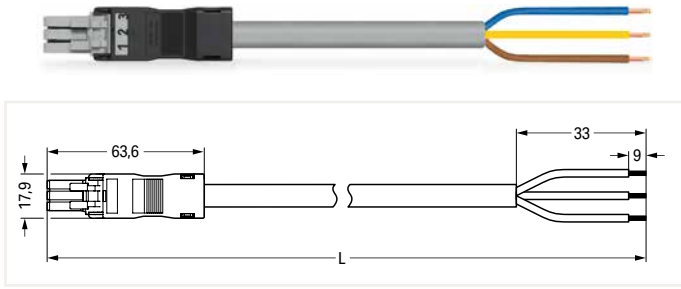
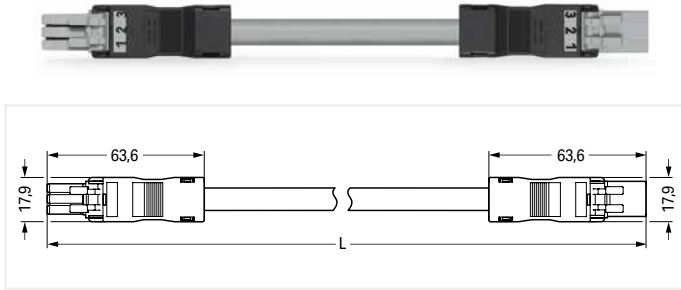
Application note for the U.S. market (USR): Some versions may also be used for current interruption in accordance with the UL certificate in select applications with currents below 5 A and voltages up to 600 V. For further information, please contact your local sales office.

Additional information, see "Technical Section"

Approvals and corresponding ratings, visit www.wago.com

Cable Assembly ▶ WINSTA® MINI special ▶ 891 Series

No. of poles: 3 ▶ Protection class: IP20 ▶ Coding: B ▶ Marking: 1 2 3 ▶ PVC ▶ 1 mm² ▶ Cable diameter: 6.3 ... 8 mm ▶ Control line 3 x 1



Total length	Connector color/Strain relief color			PU
	gray/black	light green/black	pink/black	
1 m	891-8993/005-103	891-8993/005-105	891-8993/005-107	1
2 m	891-8993/005-203	891-8993/005-205	891-8993/005-207	1
3 m	891-8993/005-303	891-8993/005-305	891-8993/005-307	1
4 m	891-8993/005-403	891-8993/005-405	891-8993/005-407	1
5 m	891-8993/005-503	891-8993/005-505	891-8993/005-507	1
6 m	891-8993/005-603	891-8993/005-605	891-8993/005-607	1
7 m	891-8993/005-703	891-8993/005-705	891-8993/005-707	1
8 m	891-8993/005-803	891-8993/005-805	891-8993/005-807	1

Total length	Connector color/Strain relief color			PU
	gray/black	light green/black	pink/black	
1 m	891-8993/105-103	891-8993/105-105	891-8993/105-107	1
2 m	891-8993/105-203	891-8993/105-205	891-8993/105-207	1
3 m	891-8993/105-303	891-8993/105-305	891-8993/105-307	1
4 m	891-8993/105-403	891-8993/105-405	891-8993/105-407	1
5 m	891-8993/105-503	891-8993/105-505	891-8993/105-507	1
6 m	891-8993/105-603	891-8993/105-605	891-8993/105-607	1
7 m	891-8993/105-703	891-8993/105-705	891-8993/105-707	1
8 m	891-8993/105-803	891-8993/105-805	891-8993/105-807	1

Total length	Connector color/Strain relief color			PU
	gray/black	light green/black	pink/black	
1 m	891-8993/205-103	891-8993/205-105	891-8993/205-107	1
2 m	891-8993/205-203	891-8993/205-205	891-8993/205-207	1
3 m	891-8993/205-303	891-8993/205-305	891-8993/205-307	1
4 m	891-8993/205-403	891-8993/205-405	891-8993/205-407	1
5 m	891-8993/205-503	891-8993/205-505	891-8993/205-507	1
6 m	891-8993/205-603	891-8993/205-605	891-8993/205-607	1
7 m	891-8993/205-703	891-8993/205-705	891-8993/205-707	1
8 m	891-8993/205-803	891-8993/205-805	891-8993/205-807	1

Accessories; for all products on this page



Locking lever; for flying leads; manually operated		
Color	Item No.	PU (SPU)
● black	890-101	100 (50)
○ white	890-121	100 (50)

Locking lever; for flying leads; tool operated		
Color	Item No.	PU (SPU)
● black	890-111	100 (50)
○ white	890-131	100 (50)

Mounting adapter; for 2- to 5-pole for flying leads		
Color	Item No.	PU
● black	890-310	100
○ white	890-311	100

PU = Packaging Unit; SPU = Subpackaging Unit; Dimensions in mm

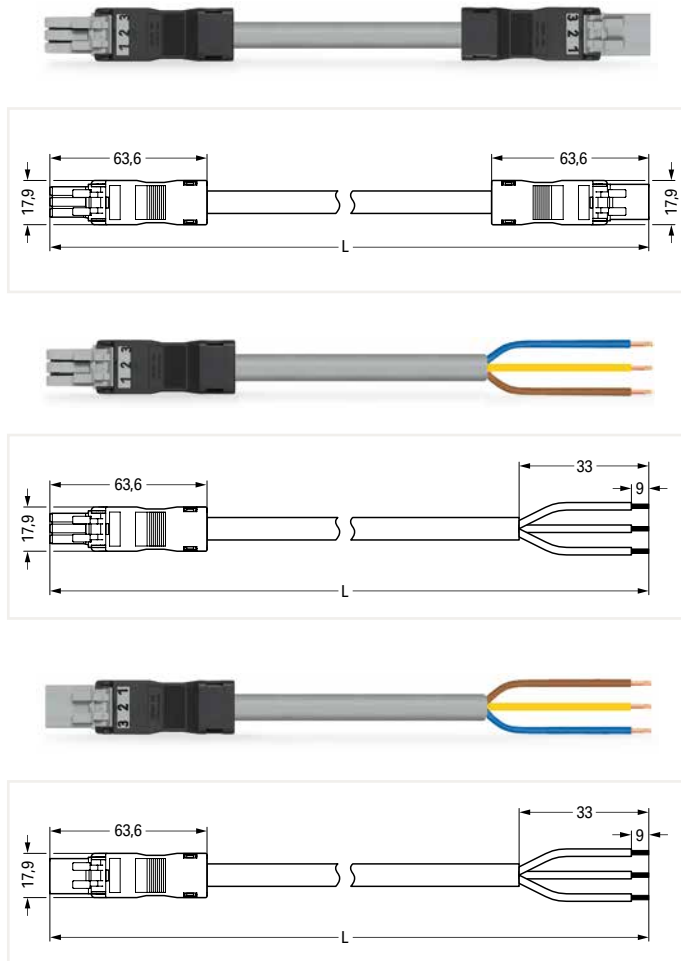
Other variants can be requested via the WAGO sales department or, if necessary, configured at <https://configurator.wago.com/>:

- Other pole markings

Cable Assembly ▶ WINSTA® MINI special ▶ 891 Series

No. of poles: 3 ▶ Protection class: IP20 ▶ Coding: B ▶ Marking: 1 2 3 ▶ PVC ▶ 1.5 mm² ▶ Cable diameter: 7.4 ... 9.4 mm ▶ Control line 3 x 1.5

2



Total length	Connector color/Strain relief color			PU
	gray/black	light green/black	pink/black	
1 m	891-8993/006-103	891-8993/006-105	891-8993/006-107	1
2 m	891-8993/006-203	891-8993/006-205	891-8993/006-207	1
3 m	891-8993/006-303	891-8993/006-305	891-8993/006-307	1
4 m	891-8993/006-403	891-8993/006-405	891-8993/006-407	1
5 m	891-8993/006-503	891-8993/006-505	891-8993/006-507	1
6 m	891-8993/006-603	891-8993/006-605	891-8993/006-607	1
7 m	891-8993/006-703	891-8993/006-705	891-8993/006-707	1
8 m	891-8993/006-803	891-8993/006-805	891-8993/006-807	1

Total length	Connector color/Strain relief color			PU
	gray/black	light green/black	pink/black	
1 m	891-8993/106-103	891-8993/106-105	891-8993/106-107	1
2 m	891-8993/106-203	891-8993/106-205	891-8993/106-207	1
3 m	891-8993/106-303	891-8993/106-305	891-8993/106-307	1
4 m	891-8993/106-403	891-8993/106-405	891-8993/106-407	1
5 m	891-8993/106-503	891-8993/106-505	891-8993/106-507	1
6 m	891-8993/106-603	891-8993/106-605	891-8993/106-607	1
7 m	891-8993/106-703	891-8993/106-705	891-8993/106-707	1
8 m	891-8993/106-803	891-8993/106-805	891-8993/106-807	1

Total length	Connector color/Strain relief color			PU
	gray/black	light green/black	pink/black	
1 m	891-8993/206-103	891-8993/206-105	891-8993/206-107	1
2 m	891-8993/206-203	891-8993/206-205	891-8993/206-207	1
3 m	891-8993/206-303	891-8993/206-305	891-8993/206-307	1
4 m	891-8993/206-403	891-8993/206-405	891-8993/206-407	1
5 m	891-8993/206-503	891-8993/206-505	891-8993/206-507	1
6 m	891-8993/206-603	891-8993/206-605	891-8993/206-607	1
7 m	891-8993/206-703	891-8993/206-705	891-8993/206-707	1
8 m	891-8993/206-803	891-8993/206-805	891-8993/206-807	1

Accessories; for all products on this page



Locking lever; for flying leads; manually operated		
Color	Item No.	PU (SPU)
● black	890-101	100 (50)
○ white	890-121	100 (50)

Locking lever; for flying leads; tool operated		
Color	Item No.	PU (SPU)
● black	890-111	100 (50)
○ white	890-131	100 (50)

Mounting adapter; for 2- to 5-pole for flying leads		
Color	Item No.	PU
● black	890-310	100
○ white	890-311	100

PU = Packaging Unit; SPU = Subpackaging Unit; Dimensions in mm

Other variants can be requested via the WAGO sales department or, if necessary, configured at <https://configurator.wago.com/>:

- Other pole markings

Pluggable Connector ▶ WINSTA® MINI special ▶ 890 Series

No. of poles: 4



- Protected against mismatching and maintenance-free
- Push-in CAGE CLAMP® spring pressure connection technology allows solid conductors to be simply pushed into a unit
- Compact design with 4.4 mm pole spacing
- Components can be clearly printed on and color-coded to meet custom requirements

Electrical Data

Ratings per	IEC/EN 60664-1		
Overvoltage category	III	III	II
Pollution degree	3	2	2
Rated voltage	400 V	-	-
Rated impulse voltage	6 kV	-	-
Rated current	16 A	-	-
Note on rated current	13 A for 3-pole load 10 A for 4-pole load		
Approvals per	UL 1977		
Rated voltage	600 V		
Rated current	12 A		

Connection Data

Connection technology	Push-in CAGE CLAMP®
Strip length	9 mm / 0.35 Inch
Nominal cross section	1.5 mm ²
Solid conductor	0.25 ... 1.5 mm ² / 22 ... 16 AWG
Solid conductor, push-in termination	0.75 ... 1.5 mm ² / 20 ... 16 AWG
Stranded conductor	0.25 ... 1 mm ² / 22 ... 18 AWG
Fine-stranded conductor	0.25 ... 1.5 mm ² / 22 ... 16 AWG
Fine-stranded conductor with ferrule with plastic collar	0.25 ... 0.75 mm ² / 22 ... 20 AWG
Fine-stranded conductor with ferrule without plastic collar	0.25 ... 0.75 mm ² / 22 ... 20 AWG
Fine-stranded conductor with ferrule, push-in termination, from	0.75 mm ² / 20 AWG

Material Data

Insulating material	Polyamide 66 (PA 66)
Flammability class per UL94	V0
Clamping spring material	Chrome nickel spring steel (CrNi)
Contact material	Copper or copper alloy, surface-treated

Mechanical Data

Mating force of a plug-in connection	Approx. 20 ... 70 N (depending on pole number)
Unmating force of a plug-in connection	When unlocked: approx. 20 ... 70 N (depending on pole number)
Retention force of a plug-in connection	When locked: > 80 N
Protection class	IP20
Note on protection class	Only in mated condition with strain relief housing (These compact connectors are not designed for use in open, easily accessible areas.)

Environmental Requirements

Processing temperature	-5 ... +40 °C
Continuous operating temperature	-35 ... +85 °C
Note on continuous service temperature	Insulating parts for temperatures ≤ 105 °C

All connectors for mounted installations (snap-in versions for lighting fixtures or devices, all types of PCB and distribution connectors) are factory-equipped with locking levers to ensure plugs and sockets are securely locked. Additional locking levers are only required for flying leads (plug/socket).

Application note for the U.S. market (USR): Some versions may also be used for current interruption in accordance with the UL certificate in select applications with currents below 5 A and voltages up to 600 V. For further information, please contact your local sales office.

Tools Page 506

Additional information, see "Technical Section"

Approvals and corresponding ratings, visit www.wago.com

Pluggable Connector ▶ WINSTA® MINI special ▶ 890 Series

No. of poles: 4

Female connector/socket

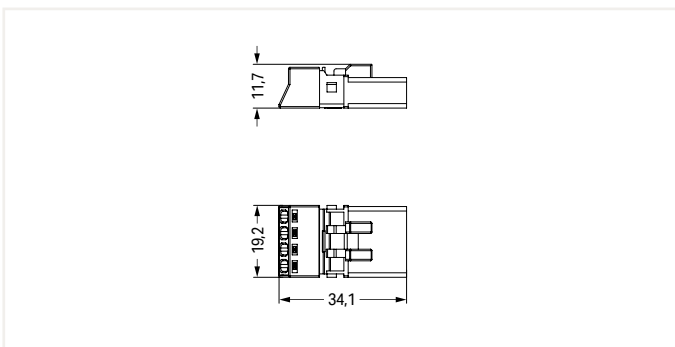
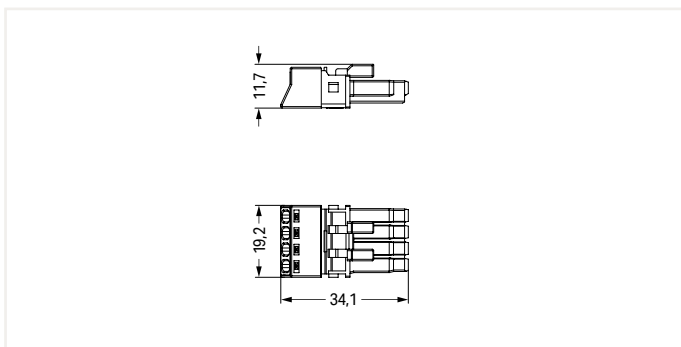
Male connector/plug



2

Color	Coding	Marking	Item No.	PU
gray	B	1 2 3 4	890-244	50
gray	B	N ⊕ 2 L 1 L'	890-244/060-000	50
gray	B	3 PE 2 1	890-244/062-000	50
gray	B	2L ⊕ 1L L	890-244/064-000	50
light green	B	1 2 3 4	890-264	50
light green	B	U- S U+ X/Y	890-264/071-000	50
light green	B	U- U+ DI AI	890-264/072-000	50
light green	B	1 ⊕ 2 3	890-264/073-000	50
pink	B	1 2 3 4	890-284	50
pink	B	1 2 5 3	890-284/081-000	50

Color	Coding	Marking	Item No.	PU
gray	B	1 2 3 4	890-254	50
gray	B	N ⊕ 2 L 1 L'	890-254/060-000	50
gray	B	3 PE 2 1	890-254/062-000	50
gray	B	2L ⊕ 1L L	890-254/064-000	50
light green	B	1 2 3 4	890-274	50
light green	B	U- S U+ X/Y	890-274/071-000	50
light green	B	U- U+ DI AI	890-274/072-000	50
light green	B	1 ⊕ 2 3	890-274/073-000	50
pink	B	1 2 3 4	890-294	50
pink	B	1 2 5 3	890-294/081-000	50



Accessories; for all products on this page



Locking lever; for flying leads; manually operated		
Color	Item No.	PU (SPU)
● black	890-101	100 (50)
○ white	890-121	100 (50)



Locking lever; for flying leads; tool operated		
Color	Item No.	PU (SPU)
● black	890-111	100 (50)
○ white	890-131	100 (50)



Mounting adapter; for 2- to 5-pole for flying leads		
Color	Item No.	PU
● black	890-310	100
○ white	890-311	100



Operating tool; for WINSTA® MINI connectors; No. of poles: 4		
Item No.	PU	
890-384	1	



Strain relief housing; Connectable sheathed cable diameter: 6.5 ... 10.5 mm; Strip length: 45 mm		
Color	Item No.	PU
● black	890-504	50
○ white	890-514	50

PU = Packaging Unit; SPU = Subpackaging Unit; Dimensions in mm

Other variants can be requested via the WAGO sales department or, if necessary, configured at <https://configurator.wago.com/>:

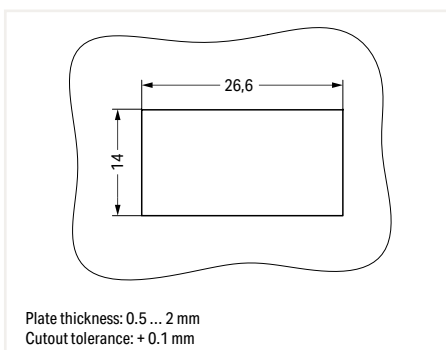
- Other pole markings

Snap-In Device Connector ▶ WINSTA® MINI special ▶ 890 Series

No. of poles: 4



- Protected against mismatching and maintenance-free
- Push-in CAGE CLAMP® spring pressure connection technology allows solid conductors to be simply pushed into a unit
- Compact design with 4.4 mm pole spacing
- Components can be clearly printed on and color-coded to meet custom requirements



Electrical Data		IEC/EN 60664-1	
Ratings per		III	II
Overvoltage category		3	2
Pollution degree		-	-
Rated voltage	400 V	-	-
Rated impulse voltage	6 kV	-	-
Rated current	16 A	-	-
Note on rated current		13 A for 3-pole load	10 A for 4-pole load
Approvals per	UL 1977		
Rated voltage	600 V		
Rated current	12 A		

Connection Data	
Connection technology	Push-in CAGE CLAMP®
Strip length	9 mm / 0.35 Inch
Nominal cross section	1.5 mm ²
Solid conductor	0.25 ... 1.5 mm ² / 22 ... 16 AWG
Solid conductor, push-in termination	0.75 ... 1.5 mm ² / 20 ... 16 AWG
Stranded conductor	0.25 ... 1 mm ² / 22 ... 18 AWG
Fine-stranded conductor	0.25 ... 1.5 mm ² / 22 ... 16 AWG
Fine-stranded conductor with ferrule with plastic collar	0.25 ... 0.75 mm ² / 22 ... 20 AWG
Fine-stranded conductor with ferrule without plastic collar	0.25 ... 0.75 mm ² / 22 ... 20 AWG
Fine-stranded conductor with ferrule, push-in termination, from	0.75 mm ² / 20 AWG

Material Data	
Insulating material	Polyamide 66 (PA 66)
Flammability class per UL94	V0
Clamping spring material	Chrome nickel spring steel (CrNi)
Contact material	Copper or copper alloy, surface-treated

Mechanical Data	
Mating force of a plug-in connection	Approx. 20 ... 70 N (depending on pole number)
Unmating force of a plug-in connection	When unlocked: approx. 20 ... 70 N (depending on pole number)
Retention force of a plug-in connection	When locked: > 80 N
Protection class	IP20
Note on protection class	Only in mated condition with strain relief housing (These compact connectors are not designed for use in open, easily accessible areas.)

Environmental Requirements	
Processing temperature	-5 ... +40 °C
Continuous operating temperature	-35 ... +85 °C
Note on continuous service temperature	Insulating parts for temperatures ≤ 105 °C

All connectors for mounted installations (snap-in versions for lighting fixtures or devices, all types of PCB and distribution connectors) are factory-equipped with locking levers to ensure plugs and sockets are securely locked. Additional locking levers are only required for flying leads (plug/socket).

Application note for the U.S. market (USR): Some versions may also be used for current interruption in accordance with the UL certificate in select applications with currents below 5 A and voltages up to 600 V. For further information, please contact your local sales office.

Tools Page 506

Additional information, see "Technical Section"

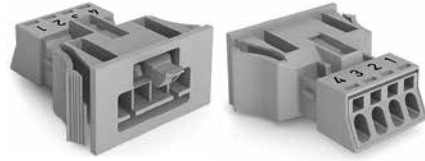
Approvals and corresponding ratings, visit www.wago.com

Snap-In Device Connector ▶ WINSTA® MINI special ▶ 890 Series

No. of poles: 4

Female connector/socket

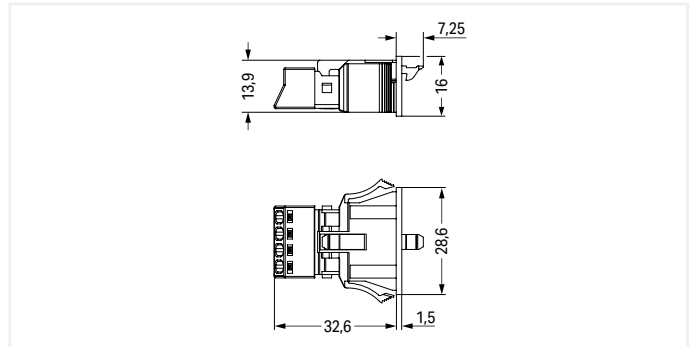
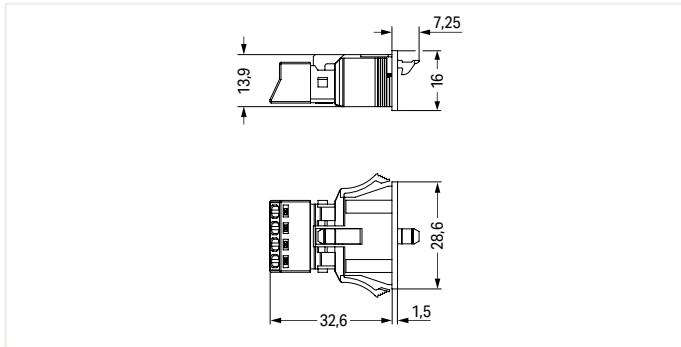
Male connector/plug



2

Color	Coding	Marking	Item No.	PU (SPU)
● gray	B	1 2 3 4	890-744	50 (50)
● gray	B	N ⊕ 2 L 1 L'	890-744/060-000	50 (50)
● gray	B	3 PE 2 1	890-744/062-000	50 (50)
● gray	B	2L ⊕ 1L L	890-744/064-000	50 (50)
● light green	B	1 2 3 4	890-764	50 (50)
● light green	B	U- S U+ X/Y	890-764/071-000	50 (50)
● light green	B	U- U+ DI AI	890-764/072-000	50 (50)
● light green	B	1 ⊕ 2 3	890-764/073-000	50 (50)
● pink	B	1 2 3 4	890-784	50 (50)
● pink	B	1 2 5 3	890-784/081-000	50 (50)

Color	Coding	Marking	Item No.	PU (SPU)
● gray	B	1 2 3 4	890-754	50 (50)
● gray	B	N ⊕ 2 L 1 L'	890-754/060-000	50 (50)
● gray	B	3 PE 2 1	890-754/062-000	50 (50)
● gray	B	2L ⊕ 1L L	890-754/064-000	50 (50)
● light green	B	1 2 3 4	890-774	50 (50)
● light green	B	U- S U+ X/Y	890-774/071-000	50 (50)
● light green	B	U- U+ DI AI	890-774/072-000	50 (50)
● light green	B	1 ⊕ 2 3	890-774/073-000	50 (50)
● pink	B	1 2 3 4	890-794	50 (50)
● pink	B	1 2 5 3	890-794/081-000	50 (50)



Accessories; for all products on this page



Operating tool; for WINSTA® MINI connectors; No. of poles: 4		
Item No.	PU	
890-384	1	

Lockout cap; for cutout; No. of poles: 4		
Color	Item No.	PU
● black	890-644	100
○ white	890-694	100

PU = Packaging Unit; SPU = Subpackaging Unit; Dimensions in mm

Other variants can be requested via the WAGO sales department or, if necessary, configured at <https://configurator.wago.com/>:

- Other pole markings

Pluggable PCB Connector ▶ WINSTA® MINI special ▶ 890 Series

No. of poles: 4



- Protected against mismatching and maintenance-free
- Push-in CAGE CLAMP® spring pressure connection technology allows solid conductors to be simply pushed into a unit
- Compact design with 4.4 mm pole spacing
- Components can be clearly printed on and color-coded to meet custom requirements

Electrical Data

Ratings per	IEC/EN 60664-1		
Overvoltage category	III	III	II
Pollution degree	3	2	2
Rated voltage	250 V	-	-
Rated impulse voltage	4 kV	-	-
Rated current	16 A	-	-
Note on rated current	13 A for 3-pole load 10 A for 4-pole load		
Approvals per	UL 1977		
Rated voltage	600 V		
Rated current	12 A		

Material Data

Insulating material	Polyamide 66 (PA 66)
Flammability class per UL94	V0
Contact material	Copper or copper alloy, surface-treated

Mechanical Data

Solder pin arrangement	2 in-line solder pins/pole
Solder pin length	3.5 mm
Solder pin dimensions	1 x 0.8 mm
Drilled hole diameter (tolerance)	1.3 ^(+0.1) mm
Mating force of a plug-in connection	Approx. 20 ... 70 N (depending on pole number)
Unmating force of a plug-in connection	When unlocked: approx. 20 ... 70 N (depending on pole number)
Retention force of a plug-in connection	When locked: > 80 N
Protection class	IP20
Note on protection class	Only in mated condition with strain relief housing (These compact connectors are not designed for use in open, easily accessible areas.)

Environmental Requirements

Processing temperature	-5 ... +40 °C
Continuous operating temperature	-35 ... +85 °C
Note on continuous service temperature	Insulating parts for temperatures ≤ 105 °C

All connectors for mounted installations (snap-in versions for lighting fixtures or devices, all types of PCB and distribution connectors) are factory-equipped with locking levers to ensure plugs and sockets are securely locked. Additional locking levers are only required for flying leads (plug/socket).

Application note for the U.S. market (USR): Some versions may also be used for current interruption in accordance with the UL certificate in select applications with currents below 5 A and voltages up to 600 V. For further information, please contact your local sales office.

Additional information, see "Technical Section"

Approvals and corresponding ratings, visit www.wago.com

Pluggable PCB Connector ▶ WINSTA® MINI special ▶ 890 Series

No. of poles: 4

Straight ▶ Female connector/socket

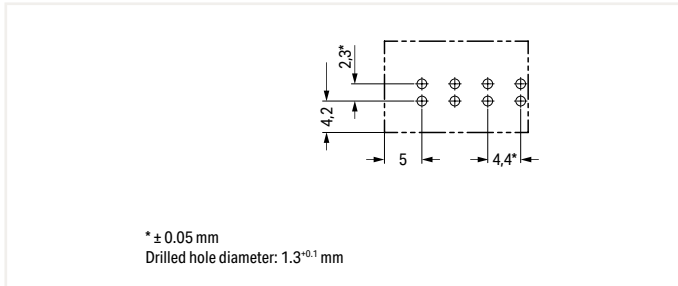
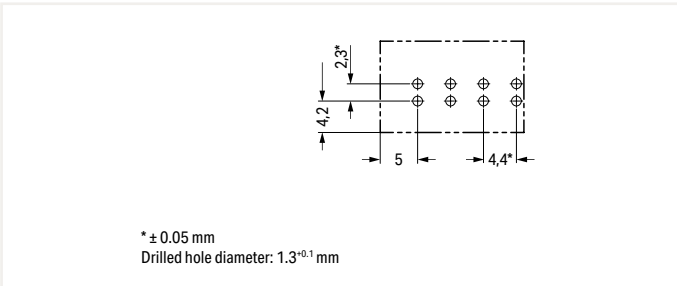
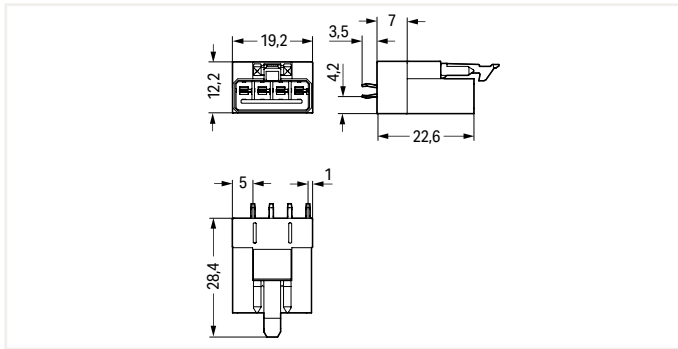
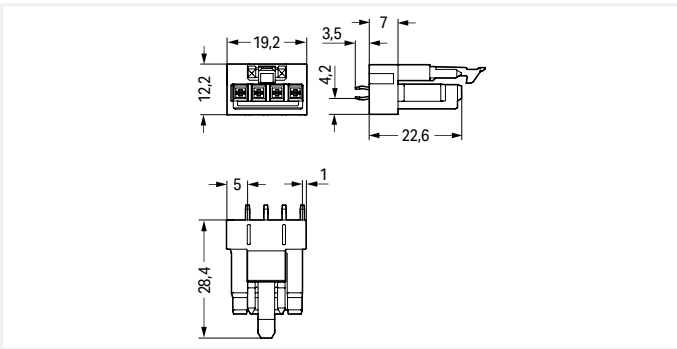
Straight ▶ Male connector/plug



2

Color	Coding	Marking	Item No.	PU
gray	B	1 2 3 4	890-844	50
light green	B	1 2 3 4	890-864	50
pink	B	1 2 3 4	890-884	50

Color	Coding	Marking	Item No.	PU
gray	B	1 2 3 4	890-854	50
light green	B	1 2 3 4	890-874	50
pink	B	1 2 3 4	890-894	50



PU = Packaging Unit; SPU = Subpackaging Unit; Dimensions in mm

Other variants can be requested via the WAGO sales department or, if necessary, configured at <https://configurator.wago.com/>:

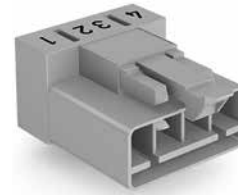
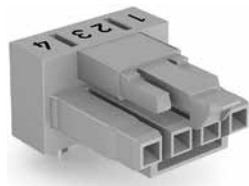
- Other pole markings

Pluggable PCB Connector ▶ WINSTA® MINI special ▶ 890 Series

No. of poles: 4

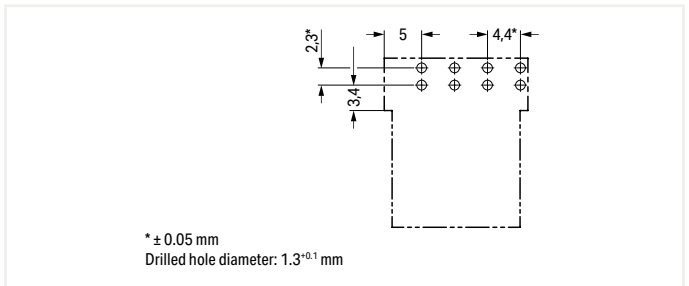
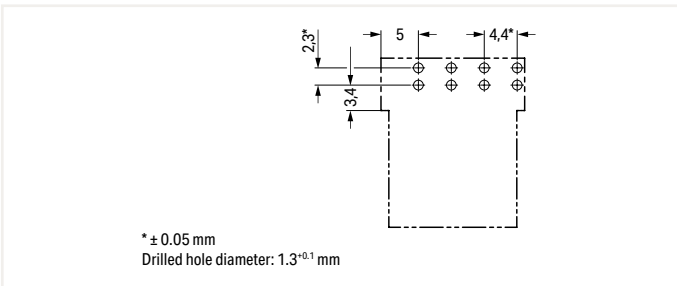
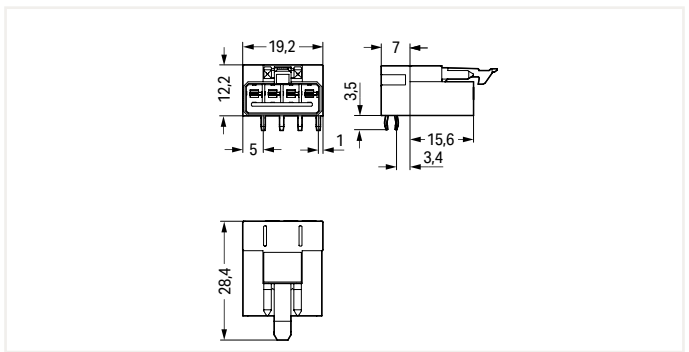
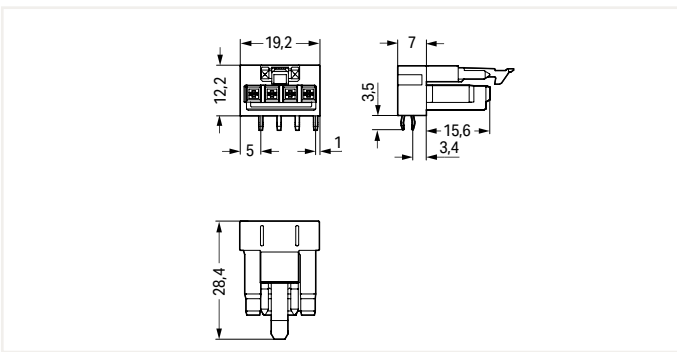
Angled ▶ Female connector/socket

Angled ▶ Male connector/plug



Color	Coding	Marking	Item No.	PU
gray	B	1 2 3 4	890-844/011-000	50
light green	B	1 2 3 4	890-864/011-000	50
pink	B	1 2 3 4	890-884/011-000	50

Color	Coding	Marking	Item No.	PU
gray	B	1 2 3 4	890-854/011-000	50
light green	B	1 2 3 4	890-874/011-000	50
pink	B	1 2 3 4	890-894/011-000	50



PU = Packaging Unit; SPU = Subpackaging Unit; Dimensions in mm

Other variants can be requested via the WAGO sales department or, if necessary, configured at <https://configurator.wago.com/>:

- Other pole markings

Distribution Connector ▶ WINSTA® MINI special ▶ 890 Series

No. of poles: 4

2



- Protected against mismatching and maintenance-free
- Push-in CAGE CLAMP® spring pressure connection technology allows solid conductors to be simply pushed into a unit
- Compact design with 4.4 mm pole spacing
- Components can be clearly printed on and color-coded to meet custom requirements

Electrical Data

Ratings per	IEC/EN 60664-1		
Overvoltage category	III	III	II
Pollution degree	3	2	2
Rated voltage	400 V	-	-
Rated impulse voltage	6 kV	-	-
Rated current	16 A	-	-

Note on rated current	13 A for 3-pole load 10 A for 4-pole load
-----------------------	----------------------------------------------

Approvals per	UL 1977
Rated voltage	600 V
Rated current	12 A

Material Data

Insulating material	Polyamide 66 (PA 66)
Flammability class per UL94	V0
Contact material	Copper or copper alloy, surface-treated

Mechanical Data

Mating force of a plug-in connection	Approx. 20 ... 70 N (depending on pole number)
Unmating force of a plug-in connection	When unlocked: approx. 20 ... 70 N (depending on pole number)
Retention force of a plug-in connection	When locked: > 80 N
Protection class	IP20
Note on protection class	Only in mated condition (These compact connectors are not designed for use in open, easily accessible areas.)

Environmental Requirements

Processing temperature	-5 ... +40 °C
Continuous operating temperature	-35 ... +85 °C
Note on continuous service temperature	Insulating parts for temperatures ≤ 105 °C

All connectors for mounted installations (snap-in versions for lighting fixtures or devices, all types of PCB and distribution connectors) are factory-equipped with locking levers to ensure plugs and sockets are securely locked. Additional locking levers are only required for flying leads (plug/socket).

Application note for the U.S. market (USR): Some versions may also be used for current interruption in accordance with the UL certificate in select applications with currents below 5 A and voltages up to 600 V. For further information, please contact your local sales office.

Additional information, see "Technical Section"

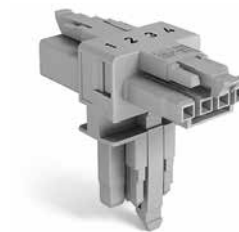
Approvals and corresponding ratings, visit www.wago.com

Distribution Connector ▶ WINSTA® MINI special ▶ 890 Series

No. of poles: 4

T-distribution connector ▶ Number of locking levers: 2

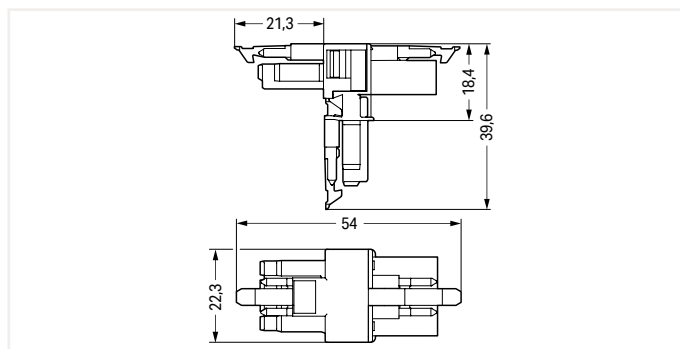
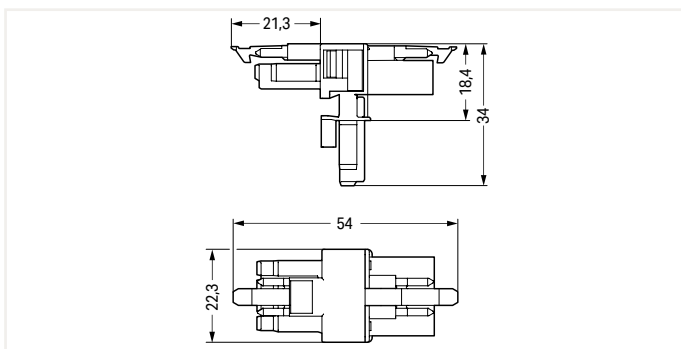
T-distribution connector ▶ Number of locking levers: 3



2

Color	Coding	Marking	Item No.	PU
gray	B	1 2 3 4	890-1631	25
light green	B	1 2 3 4	890-1632	25
pink	B	1 2 3 4	890-1633	25

Color	Coding	Marking	Item No.	PU
gray	B	1 2 3 4	890-1731	25
light green	B	1 2 3 4	890-1732	25
pink	B	1 2 3 4	890-1733	25



PU = Packaging Unit; SPU = Subpackaging Unit; Dimensions in mm

Other variants can be requested via the WAGO sales department or, if necessary, configured at <https://configurator.wago.com/>:

- Other pole markings

Distribution Connector ▶ WINSTA® MINI special ▶ 890 Series

No. of poles: 4

h-distribution connector, unidirectional ▶ Number of locking levers: 2

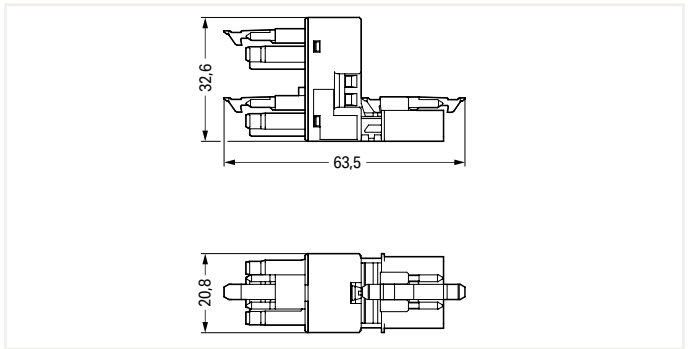
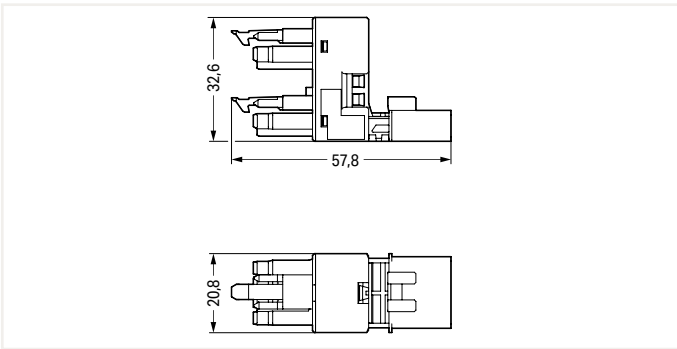
h-distribution connector, unidirectional ▶ Number of locking levers: 3 ▶ for flying leads

2



Color	Coding	Marking	Item No.	PU
● gray	B	1 2 3 4	890-1681	50
● light green	B	1 2 3 4	890-1682	50
● pink	B	1 2 3 4	890-1683	50

Color	Coding	Marking	Item No.	PU
● gray	B	1 2 3 4	890-1781	50
● light green	B	1 2 3 4	890-1782	50
● pink	B	1 2 3 4	890-1783	50



Accessories; for all products on this page



Mounting plate; for distribution connector; No. of poles: 4

Color	Item No.	PU (SPU)
● black	890-624	50 (50)
○ white	890-674	50 (50)

PU = Packaging Unit; SPU = Subpackaging Unit; Dimensions in mm

Other variants can be requested via the WAGO sales department or, if necessary, configured at <https://configurator.wago.com/>:

- Other pole markings

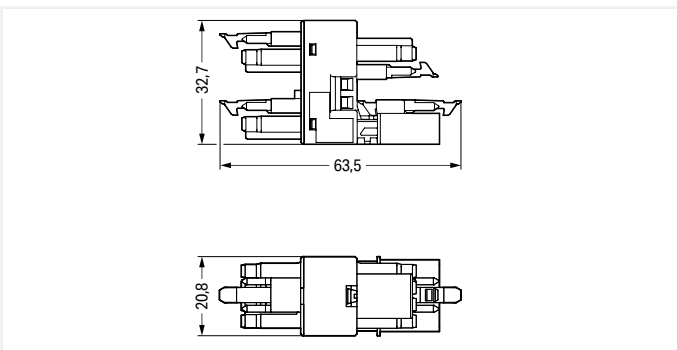
Distribution Connector ▶ WINSTA® MINI special ▶ 890 Series

No. of poles: 4

Distribution connector, 3-way



Color	Coding	Marking	Item No.	PU
● gray	B	1 2 3 4	890-1734	50
● light green	B	1 2 3 4	890-1735	50
● pink	B	1 2 3 4	890-1736	50



Accessories; for all products on this page



Mounting plate; for distribution connector; No. of poles:
4

Color	Item No.	PU (SPU)
● black	890-624	50 (50)
○ white	890-674	50 (50)

PU = Packaging Unit; SPU = Subpackaging Unit; Dimensions in mm

Other variants can be requested via the WAGO sales department or, if necessary, configured at <https://configurator.wago.com/>:

- Other pole markings

Cable Assembly ▶ WINSTA® MINI special ▶ 891 Series

No. of poles: 4 ▶ Protection class: IP20 ▶ Coding: B ▶ Marking: 1 2 3 4 ▶ PVC



- Protected against mismatching and maintenance-free
- Push-in CAGE CLAMP® spring pressure connection technology allows solid conductors to be simply pushed into a unit
- Compact design with 4.4 mm pole spacing
- Components can be clearly printed on and color-coded to meet custom requirements

Electrical Data

Cross section of single conductor	1 mm ²			1.5 mm ²		
	IEC/EN 60664-1					
Ratings per	IEC/EN 60664-1			IEC/EN 60664-1		
Overvoltage category	III	III	II	III	III	II
Pollution degree	3	2	2	3	2	2
Rated voltage	400 V	-	-	400 V	-	-
Rated impulse voltage	6 kV	-	-	6 kV	-	-
Rated current	10 A	-	-	16 A	-	-
Note on rated current				13 A for 3-pole load 10 A for 4-pole load		
Approvals per	UL 1977			UL 1977		
Rated voltage	600 V			600 V		
Rated current	12 A			12 A		

Material Data

Insulating material	Polyamide 66 (PA 66)
Flammability class per UL94	V0
Contact material	Copper or copper alloy, surface-treated

Mechanical Data

Mating force of a plug-in connection	approx. 20 ... 70 N (depending on pole number)
Unmating force of a plug-in connection	when unlocked: approx. 20 ... 70 N (depending on pole number)
Retention force of a plug-in connection	when locked: > 80N
Protection class	IP20
Note on protection class	Only in mated condition with strain relief housing (These compact connectors are not designed for use in open, easily accessible areas.)

Environmental Requirements

Processing temperature	-5 ... +40 °C
Continuous operating temperature	-35 ... +85 °C
Note on continuous service temperature	PVC cable for temperatures ≤ 70 °C (including halogen-free) Insulating parts for temperatures ≤ 105 °C

Cables with different fire load are available in the eShop

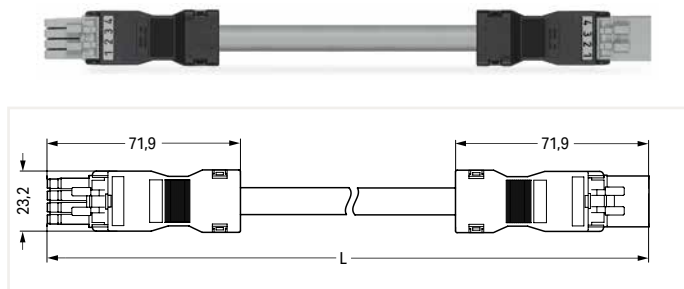
Application note for the U.S. market (USR): Some versions may also be used for current interruption in accordance with the UL certificate in select applications with currents below 5 A and voltages up to 600 V. For further information, please contact your local sales office.

Additional information, see "Technical Section"

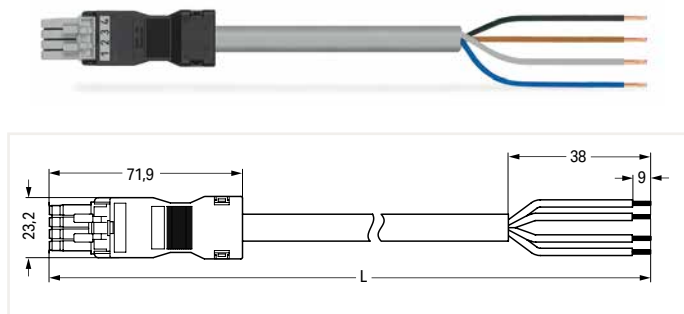
Approvals and corresponding ratings, visit www.wago.com

Cable Assembly ▶ WINSTA® MINI special ▶ 891 Series

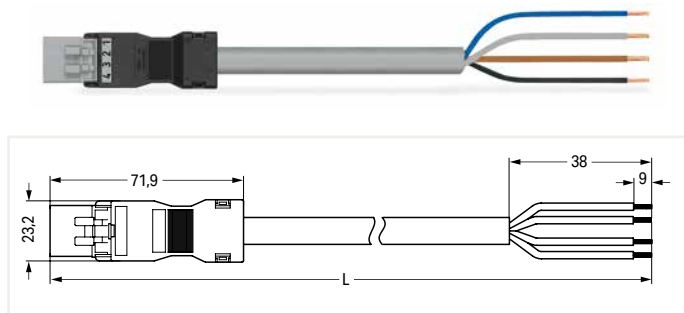
No. of poles: 4 ▶ Protection class: IP20 ▶ Coding: B ▶ Marking: 1 2 3 4 ▶ PVC ▶ 1 mm² ▶ Cable diameter: 7.1 ... 9 mm ▶ Control line 4 x 1



Interconnecting cable ▶ Socket - Plug				
Total length	Connector color/Strain relief color			PU
	gray/black	light green/black	pink/black	
1 m	891-8994/005-103	891-8994/005-105	891-8994/005-107	1
2 m	891-8994/005-203	891-8994/005-205	891-8994/005-207	1
3 m	891-8994/005-303	891-8994/005-305	891-8994/005-307	1
4 m	891-8994/005-403	891-8994/005-405	891-8994/005-407	1
5 m	891-8994/005-503	891-8994/005-505	891-8994/005-507	1
6 m	891-8994/005-603	891-8994/005-605	891-8994/005-607	1
7 m	891-8994/005-703	891-8994/005-705	891-8994/005-707	1
8 m	891-8994/005-803	891-8994/005-805	891-8994/005-807	1



Connecting cable ▶ Socket - Free end				
Total length	Connector color/Strain relief color			PU
	gray/black	light green/black	pink/black	
1 m	891-8994/105-103	891-8994/105-105	891-8994/105-107	1
2 m	891-8994/105-203	891-8994/105-205	891-8994/105-207	1
3 m	891-8994/105-303	891-8994/105-305	891-8994/105-307	1
4 m	891-8994/105-403	891-8994/105-405	891-8994/105-407	1
5 m	891-8994/105-503	891-8994/105-505	891-8994/105-507	1
6 m	891-8994/105-603	891-8994/105-605	891-8994/105-607	1
7 m	891-8994/105-703	891-8994/105-705	891-8994/105-707	1
8 m	891-8994/105-803	891-8994/105-805	891-8994/105-807	1



Connecting cable ▶ Plug - Free end				
Total length	Connector color/Strain relief color			PU
	gray/black	light green/black	pink/black	
1 m	891-8994/205-103	891-8994/205-105	891-8994/205-107	1
2 m	891-8994/205-203	891-8994/205-205	891-8994/205-207	1
3 m	891-8994/205-303	891-8994/205-305	891-8994/205-307	1
4 m	891-8994/205-403	891-8994/205-405	891-8994/205-407	1
5 m	891-8994/205-503	891-8994/205-505	891-8994/205-507	1
6 m	891-8994/205-603	891-8994/205-605	891-8994/205-607	1
7 m	891-8994/205-703	891-8994/205-705	891-8994/205-707	1
8 m	891-8994/205-803	891-8994/205-805	891-8994/205-807	1

2

Accessories; for all products on this page



Locking lever; for flying leads; manually operated		
Color	Item No.	PU (SPU)
● black	890-101	100 (50)
○ white	890-121	100 (50)

Locking lever; for flying leads; tool operated		
Color	Item No.	PU (SPU)
● black	890-111	100 (50)
○ white	890-131	100 (50)

Mounting adapter; for 2- to 5-pole for flying leads		
Color	Item No.	PU
● black	890-310	100
○ white	890-311	100

PU = Packaging Unit; SPU = Subpackaging Unit; Dimensions in mm

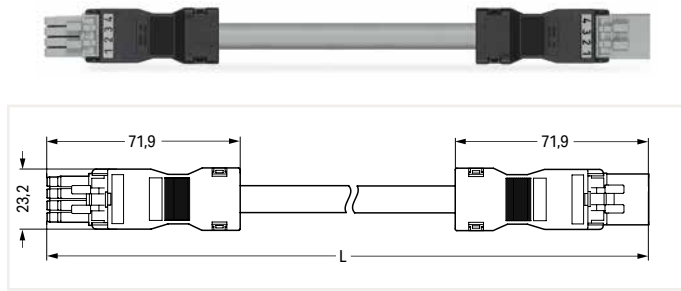
Other variants can be requested via the WAGO sales department or, if necessary, configured at <https://configurator.wago.com/>:

- Other pole markings

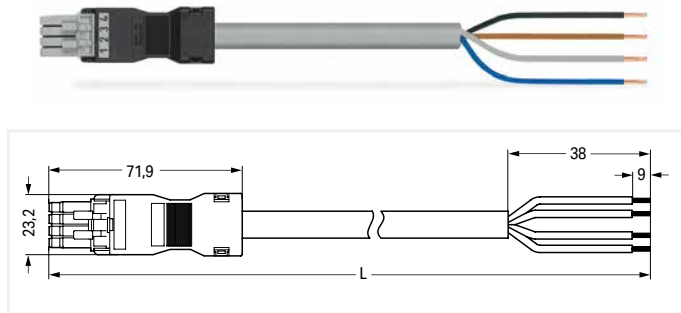
Cable Assembly ▶ WINSTA® MINI special ▶ 891 Series

No. of poles: 4 ▶ Protection class: IP20 ▶ Coding: B ▶ Marking: 1 2 3 4 ▶ PVC ▶ 1.5 mm² ▶ Cable diameter: 8.4 ... 10.5 mm ▶ Control line 4 x 1.5

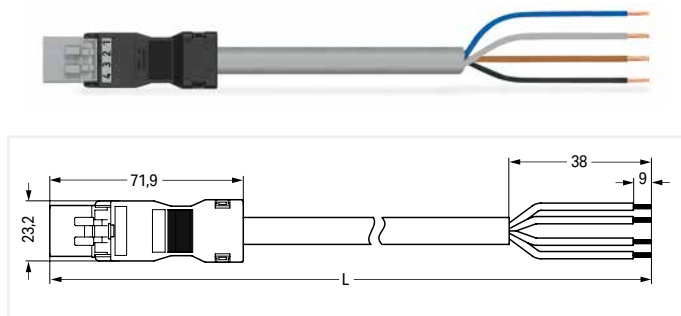
2



Interconnecting cable ▶ Socket - Plug				
Total length	Connector color/Strain relief color			PU
	gray/black	light green/black	pink/black	
1 m	891-8994/006-103	891-8994/006-105	891-8994/006-107	1
2 m	891-8994/006-203	891-8994/006-205	891-8994/006-207	1
3 m	891-8994/006-303	891-8994/006-305	891-8994/006-307	1
4 m	891-8994/006-403	891-8994/006-405	891-8994/006-407	1
5 m	891-8994/006-503	891-8994/006-505	891-8994/006-507	1
6 m	891-8994/006-603	891-8994/006-605	891-8994/006-607	1
7 m	891-8994/006-703	891-8994/006-705	891-8994/006-707	1
8 m	891-8994/006-803	891-8994/006-805	891-8994/006-807	1



Connecting cable ▶ Socket - Free end				
Total length	Connector color/Strain relief color			PU
	gray/black	light green/black	pink/black	
1 m	891-8994/106-103	891-8994/106-105	891-8994/106-107	1
2 m	891-8994/106-203	891-8994/106-205	891-8994/106-207	1
3 m	891-8994/106-303	891-8994/106-305	891-8994/106-307	1
4 m	891-8994/106-403	891-8994/106-405	891-8994/106-407	1
5 m	891-8994/106-503	891-8994/106-505	891-8994/106-507	1
6 m	891-8994/106-603	891-8994/106-605	891-8994/106-607	1
7 m	891-8994/106-703	891-8994/106-705	891-8994/106-707	1
8 m	891-8994/106-803	891-8994/106-805	891-8994/106-807	1



Connecting cable ▶ Plug - Free end				
Total length	Connector color/Strain relief color			PU
	gray/black	light green/black	pink/black	
1 m	891-8994/206-103	891-8994/206-105	891-8994/206-107	1
2 m	891-8994/206-203	891-8994/206-205	891-8994/206-207	1
3 m	891-8994/206-303	891-8994/206-305	891-8994/206-307	1
4 m	891-8994/206-403	891-8994/206-405	891-8994/206-407	1
5 m	891-8994/206-503	891-8994/206-505	891-8994/206-507	1
6 m	891-8994/206-603	891-8994/206-605	891-8994/206-607	1
7 m	891-8994/206-703	891-8994/206-705	891-8994/206-707	1
8 m	891-8994/206-803	891-8994/206-805	891-8994/206-807	1

Accessories; for all products on this page



Locking lever; for flying leads; manually operated		
Color	Item No.	PU (SPU)
● black	890-101	100 (50)
○ white	890-121	100 (50)

Locking lever; for flying leads; tool operated		
Color	Item No.	PU (SPU)
● black	890-111	100 (50)
○ white	890-131	100 (50)

Mounting adapter; for 2- to 5-pole for flying leads		
Color	Item No.	PU
● black	890-310	100
○ white	890-311	100

PU = Packaging Unit; SPU = Subpackaging Unit; Dimensions in mm

Other variants can be requested via the WAGO sales department or, if necessary, configured at <https://configurator.wago.com/>:

- Other pole markings

Pluggable Connector ▶ WINSTA® MINI special ▶ 890 Series

No. of poles: 5



- Protected against mismatching and maintenance-free
- Push-in CAGE CLAMP® spring pressure connection technology allows solid conductors to be simply pushed into a unit
- Compact design with 4.4 mm pole spacing
- Components can be clearly printed on and color-coded to meet custom requirements

Electrical Data

Ratings per	IEC/EN 60664-1		
Overvoltage category	III	III	II
Pollution degree	3	2	2
Rated voltage	400 V	-	-
Rated impulse voltage	6 kV	-	-
Rated current	16 A	-	-
Note on rated current	13 A for 3-pole load 10 A for 4- and 5-pole load		
Approvals per	UL 1977		
Rated voltage	600 V		
Rated current	12 A		

Connection Data

Connection technology	Push-in CAGE CLAMP®
Strip length	9 mm / 0.35 Inch
Nominal cross section	1.5 mm ²
Solid conductor	0.25 ... 1.5 mm ² / 22 ... 16 AWG
Solid conductor, push-in termination	0.75 ... 1.5 mm ² / 20 ... 16 AWG
Stranded conductor	0.25 ... 1 mm ² / 22 ... 18 AWG
Fine-stranded conductor	0.25 ... 1.5 mm ² / 22 ... 16 AWG
Fine-stranded conductor with ferrule with plastic collar	0.25 ... 0.75 mm ² / 22 ... 20 AWG
Fine-stranded conductor with ferrule without plastic collar	0.25 ... 0.75 mm ² / 22 ... 20 AWG
Fine-stranded conductor with ferrule, push-in termination, from	0.75 mm ² / 20 AWG

Material Data

Insulating material	Polyamide 66 (PA 66)
Flammability class per UL94	V0
Clamping spring material	Chrome nickel spring steel (CrNi)
Contact material	Copper or copper alloy, surface-treated

Mechanical Data

Mating force of a plug-in connection	Approx. 20 ... 70 N (depending on pole number)
Unmating force of a plug-in connection	When unlocked: approx. 20 ... 70 N (depending on pole number)
Retention force of a plug-in connection	When locked: > 80 N
Protection class	IP20
Note on protection class	Only in mated condition with strain relief housing (These compact connectors are not designed for use in open, easily accessible areas.)

Environmental Requirements

Processing temperature	-5 ... +40 °C
Continuous operating temperature	-35 ... +85 °C
Note on continuous service temperature	Insulating parts for temperatures ≤ 105 °C

All connectors for mounted installations (snap-in versions for lighting fixtures or devices, all types of PCB and distribution connectors) are factory-equipped with locking levers to ensure plugs and sockets are securely locked. Additional locking levers are only required for flying leads (plug/socket).

Application note for the U.S. market (USR): Some versions may also be used for current interruption in accordance with the UL certificate in select applications with currents below 5 A and voltages up to 600 V. For further information, please contact your local sales office.

Tools Page 506

Additional information, see "Technical Section"

Approvals and corresponding ratings, visit www.wago.com

Pluggable Connector ▶ WINSTA® MINI special ▶ 890 Series

No. of poles: 5

Female connector/socket

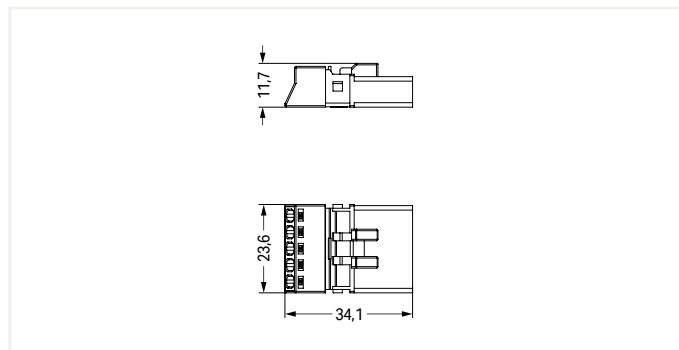
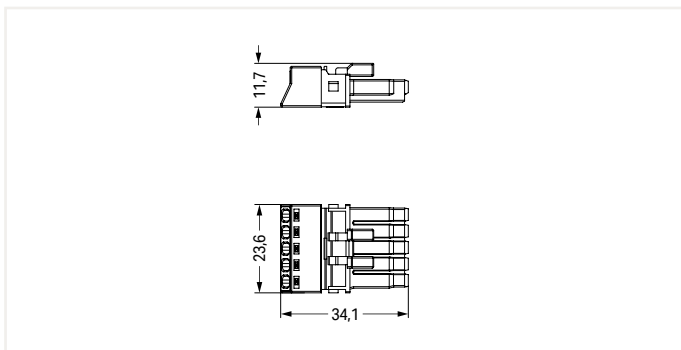
Male connector/plug



2

Color	Coding	Marking	Item No.	PU
gray	B	1 2 3 4 5	890-245	50
gray	B	N ⊕ L1 L2 L3	890-245/060-000	50
gray	B	N PE 3 2 1	890-245/062-000	50
light green	B	1 2 3 4 5	890-265	50
light green	B	1 ⊕ 2 3 4	890-265/073-000	50
pink	B	1 2 3 4 5	890-285	50
pink	B	N ⊕ L I- I+	890-285/080-000	50
pink	B	N ⊕ L - +	890-285/082-000	50

Color	Coding	Marking	Item No.	PU
gray	B	1 2 3 4 5	890-255	50
gray	B	N ⊕ L1 L2 L3	890-255/060-000	50
gray	B	N PE 3 2 1	890-255/062-000	50
light green	B	1 2 3 4 5	890-275	50
light green	B	1 ⊕ 2 3 4	890-275/073-000	50
pink	B	1 2 3 4 5	890-295	50
pink	B	N ⊕ L I- I+	890-295/080-000	50
pink	B	N ⊕ L - +	890-295/082-000	50



Accessories; for all products on this page



Locking lever; for flying leads; manually operated		
Color	Item No.	PU (SPU)
● black	890-101	100 (50)
○ white	890-121	100 (50)



Locking lever; for flying leads; tool operated		
Color	Item No.	PU (SPU)
● black	890-111	100 (50)
○ white	890-131	100 (50)



Mounting adapter; for 2- to 5-pole for flying leads		
Color	Item No.	PU
● black	890-310	100
○ white	890-311	100



Operating tool; for WINSTA® MINI connectors; No. of poles: 5		
Item No.	PU	
890-385	1	



Strain relief housing; Connectable sheathed cable diameter: 6.5 ... 10.5 mm; Strip length: 45 mm		
Color	Item No.	PU
● black	890-505	50
○ white	890-515	50

PU = Packaging Unit; SPU = Subpackaging Unit; Dimensions in mm

Other variants can be requested via the WAGO sales department or, if necessary, configured at <https://configurator.wago.com/>:

- Other pole markings

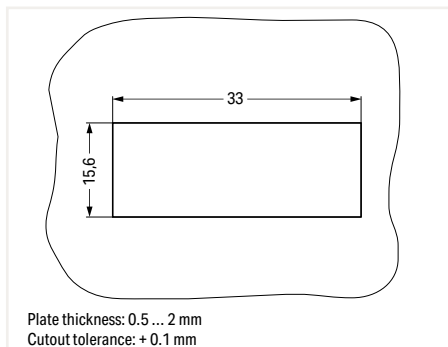
Snap-In Device Connector ▶ WINSTA® MINI special ▶ 890 Series

No. of poles: 5

2



- Protected against mismatching and maintenance-free
- Push-in CAGE CLAMP® spring pressure connection technology allows solid conductors to be simply pushed into a unit
- Compact design with 4.4 mm pole spacing
- Components can be clearly printed on and color-coded to meet custom requirements



Electrical Data

Ratings per	IEC/EN 60664-1		
Overvoltage category	III	III	II
Pollution degree	3	2	2
Rated voltage	400 V	-	-
Rated impulse voltage	6 kV	-	-
Rated current	16 A	-	-
Note on rated current	13 A for 3-pole load 10 A for 4- and 5-pole load		
Approvals per	UL 1977		
Rated voltage	600 V		
Rated current	12 A		

Connection Data

Connection technology	Push-in CAGE CLAMP®
Strip length	9 mm / 0.35 Inch
Nominal cross section	1.5 mm ²
Solid conductor	0.25 ... 1.5 mm ² / 22 ... 16 AWG
Solid conductor, push-in termination	0.75 ... 1.5 mm ² / 20 ... 16 AWG
Stranded conductor	0.25 ... 1 mm ² / 22 ... 18 AWG
Fine-stranded conductor	0.25 ... 1.5 mm ² / 22 ... 16 AWG
Fine-stranded conductor with ferrule with plastic collar	0.25 ... 0.75 mm ² / 22 ... 20 AWG
Fine-stranded conductor with ferrule without plastic collar	0.25 ... 0.75 mm ² / 22 ... 20 AWG
Fine-stranded conductor with ferrule, push-in termination, from	0.75 mm ² / 20 AWG

Material Data

Insulating material	Polyamide 66 (PA 66)
Flammability class per UL94	V0
Clamping spring material	Chrome nickel spring steel (CrNi)
Contact material	Copper or copper alloy, surface-treated

Mechanical Data

Mating force of a plug-in connection	Approx. 20 ... 70 N (depending on pole number)
Unmating force of a plug-in connection	When unlocked: approx. 20 ... 70 N (depending on pole number)
Retention force of a plug-in connection	When locked: > 80 N
Protection class	IP20
Note on protection class	Only in mated condition with strain relief housing (These compact connectors are not designed for use in open, easily accessible areas.)

Environmental Requirements

Processing temperature	-5 ... +40 °C
Continuous operating temperature	-35 ... +85 °C
Note on continuous service temperature	Insulating parts for temperatures ≤ 105 °C

All connectors for mounted installations (snap-in versions for lighting fixtures or devices, all types of PCB and distribution connectors) are factory-equipped with locking levers to ensure plugs and sockets are securely locked. Additional locking levers are only required for flying leads (plug/socket).

Application note for the U.S. market (USR): Some versions may also be used for current interruption in accordance with the UL certificate in select applications with currents below 5 A and voltages up to 600 V. For further information, please contact your local sales office.

Tools Page 506

Additional information, see "Technical Section"

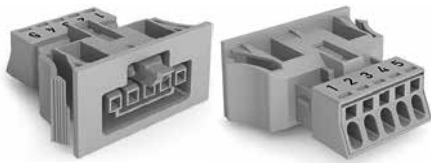
Approvals and corresponding ratings, visit www.wago.com

Snap-In Device Connector ▶ WINSTA® MINI special ▶ 890 Series

No. of poles: 5

Female connector/socket

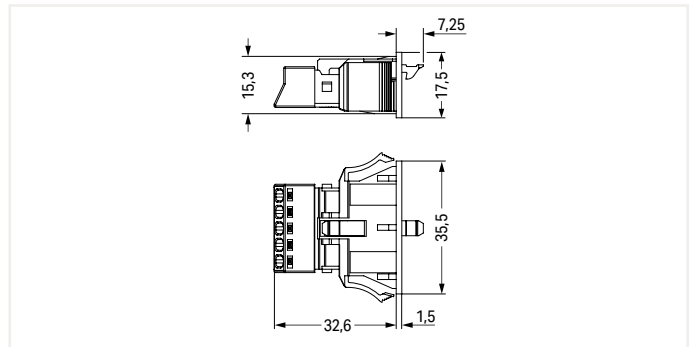
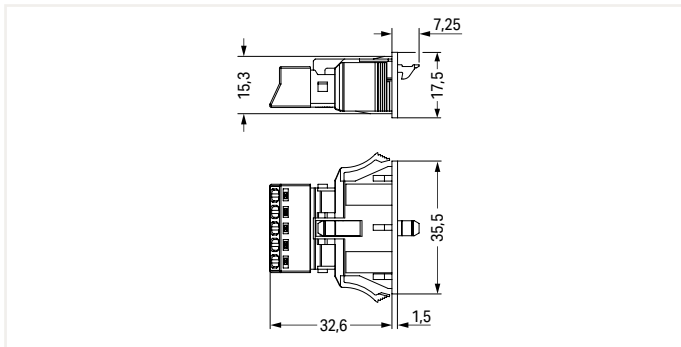
Male connector/plug



2

Color	Coding	Marking	Item No.	PU (SPU)
gray	B	1 2 3 4 5	890-745	50 (50)
gray	B	N ⊕ L1 L2 L3	890-745/060-000	50 (50)
gray	B	N PE 3 2 1	890-745/062-000	50 (50)
light green	B	1 2 3 4 5	890-765	50 (50)
light green	B	1 ⊕ 2 3 4	890-765/073-000	50 (50)
pink	B	N ⊕ LI - I+	890-785/080-000	50 (50)
pink	B	N ⊕ L - +	890-785/082-000	50 (50)

Color	Coding	Marking	Item No.	PU (SPU)
gray	B	1 2 3 4 5	890-755	50 (50)
gray	B	N ⊕ L1 L2 L3	890-755/060-000	50 (50)
gray	B	N PE 3 2 1	890-755/062-000	50 (50)
light green	B	1 ⊕ 2 3 4	890-775/073-000	50 (50)
pink	B	N ⊕ LI - I+	890-795/080-000	50 (50)
pink	B	N ⊕ L - +	890-795/082-000	50 (50)



Accessories; for all products on this page



Lockout cap; for cutout; No. of poles: 3		
Color	Item No.	PU
● black	770-643	100
○ white	770-693	100

Operating tool; for WINSTA® MINI connectors; No. of poles: 5		
Item No.	PU	
890-385	1	

PU = Packaging Unit; SPU = Subpackaging Unit; Dimensions in mm

Other variants can be requested via the WAGO sales department or, if necessary, configured at <https://configurator.wago.com/>:

- Other pole markings

Pluggable PCB Connector ▶ WINSTA® MINI special ▶ 890 Series

No. of poles: 5



- Protected against mismatching and maintenance-free
- Push-in CAGE CLAMP® spring pressure connection technology allows solid conductors to be simply pushed into a unit
- Compact design with 4.4 mm pole spacing
- Components can be clearly printed on and color-coded to meet custom requirements

Electrical Data

Ratings per	IEC/EN 60664-1		
Overvoltage category	III	III	II
Pollution degree	3	2	2
Rated voltage	250 V	-	-
Rated impulse voltage	4 kV	-	-
Rated current	16 A	-	-

Note on rated current	13 A for 3-pole load 10 A for 4- and 5-pole load
-----------------------	-----------------------------------------------------

Approvals per	UL 1977
Rated voltage	600 V
Rated current	12 A

Material Data

Insulating material	Polyamide 66 (PA 66)
Flammability class per UL94	V0
Contact material	Copper or copper alloy, surface-treated

Mechanical Data

Solder pin arrangement	2 in-line solder pins/pole
Solder pin length	3.5 mm
Solder pin dimensions	1 x 0.8 mm
Drilled hole diameter (tolerance)	1.3 ^(+0.1) mm
Mating force of a plug-in connection	Approx. 20 ... 70 N (depending on pole number)
Unmating force of a plug-in connection	When unlocked: approx. 20 ... 70 N (depending on pole number)
Retention force of a plug-in connection	When locked: > 80 N
Protection class	IP20
Note on protection class	Only in mated condition with strain relief housing (These compact connectors are not designed for use in open, easily accessible areas.)

Environmental Requirements

Processing temperature	-5 ... +40 °C
Continuous operating temperature	-35 ... +85 °C
Note on continuous service temperature	Insulating parts for temperatures ≤ 105 °C

All connectors for mounted installations (snap-in versions for lighting fixtures or devices, all types of PCB and distribution connectors) are factory-equipped with locking levers to ensure plugs and sockets are securely locked. Additional locking levers are only required for flying leads (plug/socket).

Application note for the U.S. market (USR): Some versions may also be used for current interruption in accordance with the UL certificate in select applications with currents below 5 A and voltages up to 600 V. For further information, please contact your local sales office.

Additional information, see "Technical Section"

Approvals and corresponding ratings, visit www.wago.com

Pluggable PCB Connector ▶ WINSTA® MINI special ▶ 890 Series

No. of poles: 5

Straight ▶ Female connector/socket

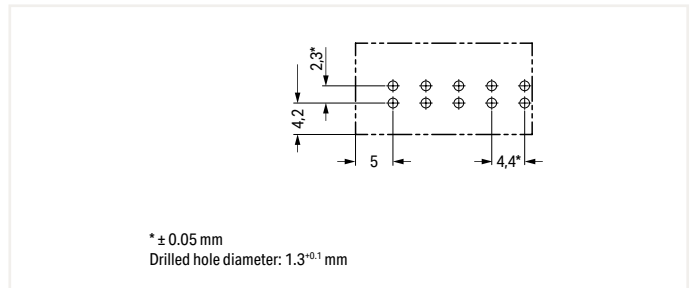
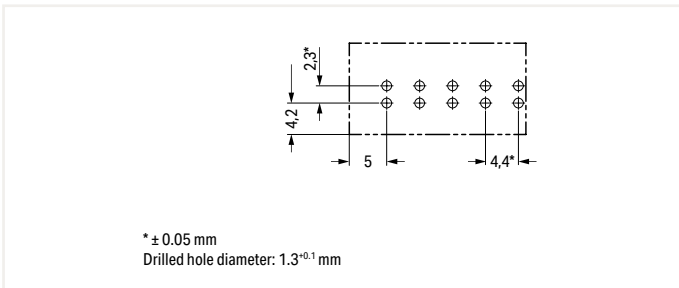
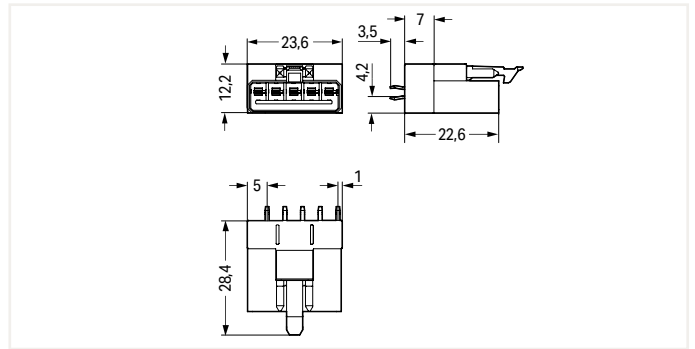
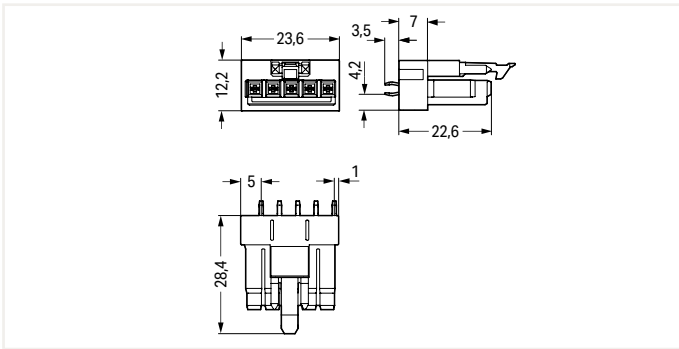
Straight ▶ Male connector/plug



2

Color	Coding	Marking	Item No.	PU
gray	B	1 2 3 4 5	890-845	50
light green	B	1 2 3 4 5	890-865	50
pink	B	1 2 3 4 5	890-885	50

Color	Coding	Marking	Item No.	PU
gray	B	1 2 3 4 5	890-855	50
light green	B	1 2 3 4 5	890-875	50
pink	B	1 2 3 4 5	890-895	50



PU = Packaging Unit; SPU = Subpackaging Unit; Dimensions in mm

Other variants can be requested via the WAGO sales department or, if necessary, configured at <https://configurator.wago.com/>:

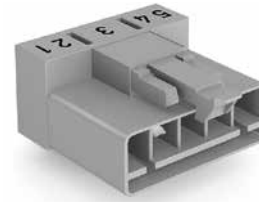
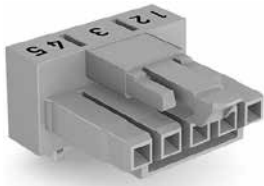
- Other pole markings

Pluggable PCB Connector ▶ WINSTA® MINI special ▶ 890 Series

No. of poles: 5

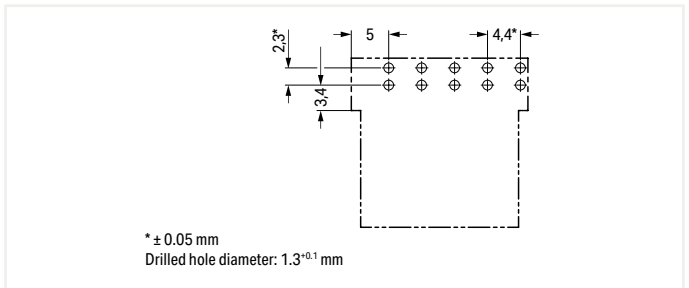
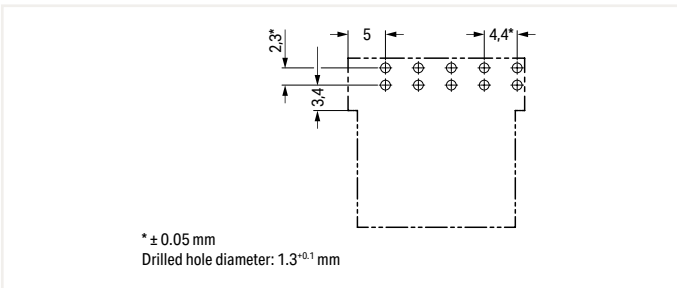
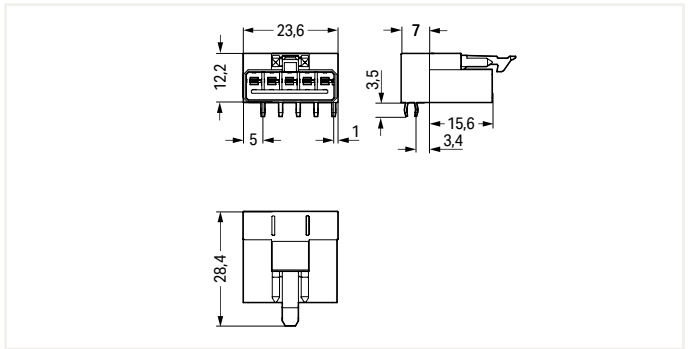
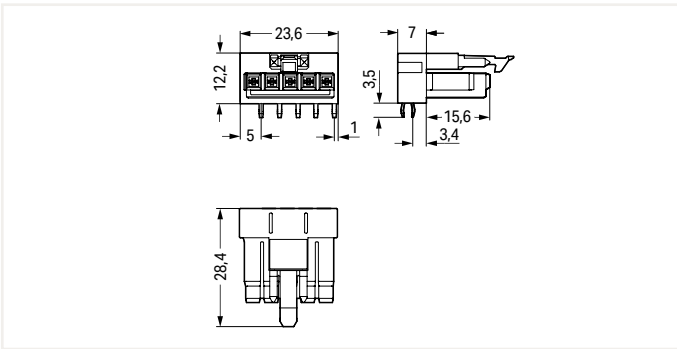
Angled ▶ Female connector/socket

Angled ▶ Male connector/plug



Color	Coding	Marking	Item No.	PU
gray	B	1 2 3 4 5	890-845/011-000	50
light green	B	1 2 3 4 5	890-865/011-000	50
pink	B	1 2 3 4 5	890-885/011-000	50

Color	Coding	Marking	Item No.	PU
gray	B	1 2 3 4 5	890-855/011-000	50
light green	B	1 2 3 4 5	890-875/011-000	50
pink	B	1 2 3 4 5	890-895/011-000	50



PU = Packaging Unit; SPU = Subpackaging Unit; Dimensions in mm

Other variants can be requested via the WAGO sales department or, if necessary, configured at <https://configurator.wago.com/>:

- Other pole markings

Cable Assembly ▶ WINSTA® MINI special ▶ 891 Series

No. of poles: 5 ▶ Protection class: IP20 ▶ Coding: B ▶ Marking: 1 2 3 4 5 ▶ PVC



- Protected against mismatching and maintenance-free
- Push-in CAGE CLAMP® spring pressure connection technology allows solid conductors to be simply pushed into a unit
- Compact design with 4.4 mm pole spacing
- Components can be clearly printed on and color-coded to meet custom requirements

2

Electrical Data						
Cross section of single conductor	1 mm ²			1.5 mm ²		
Ratings per	IEC/EN 60664-1			IEC/EN 60664-1		
Overvoltage category	III	III	II	III	III	II
Pollution degree	3	2	2	3	2	2
Rated voltage	400 V	-	-	400 V	-	-
Rated impulse voltage	6 kV	-	-	6 kV	-	-
Rated current	10 A	-	-	16 A	-	-
Note on rated current				13 A for 3-pole load 10 A for 4- and 5-pole load		
Approvals per	UL 1977			UL 1977		
Rated voltage	600 V			600 V		
Rated current	12 A			12 A		

Material Data	
Insulating material	Polyamide 66 (PA 66)
Flammability class per UL94	V0
Contact material	Copper or copper alloy, surface-treated
Reaction to fire class per EN 50575	E _{ca}

Mechanical Data	
Mating force of a plug-in connection	approx. 20 ... 70 N (depending on pole number)
Unmating force of a plug-in connection	when unlocked: approx. 20 ... 70 N (depending on pole number)
Retention force of a plug-in connection	when locked: > 80N
Protection class	IP20
Note on protection class	Only in mated condition with strain relief housing (These compact connectors are not designed for use in open, easily accessible areas.)

Environmental Requirements	
Processing temperature	-5 ... +40 °C
Continuous operating temperature	-35 ... +85 °C
Note on continuous service temperature	PVC cable for temperatures ≤ 70 °C (including halogen-free) Insulating parts for temperatures ≤ 105 °C

Cables with different fire load are available in the eShop

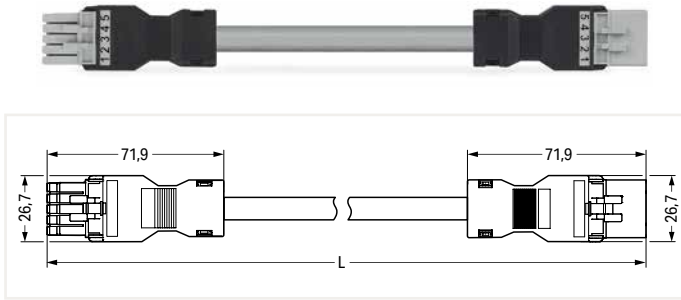
Application note for the U.S. market (USR): Some versions may also be used for current interruption in accordance with the UL certificate in select applications with currents below 5 A and voltages up to 600 V. For further information, please contact your local sales office.

Additional information, see "Technical Section"

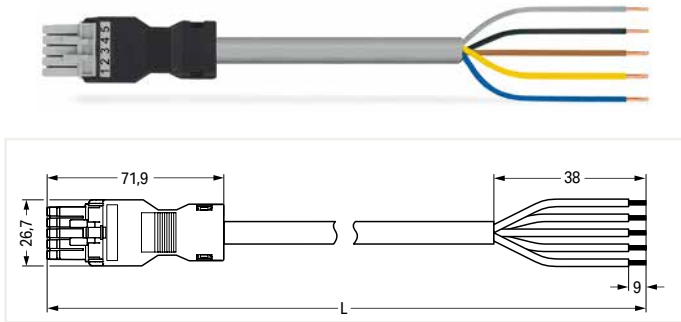
Approvals and corresponding ratings, visit www.wago.com

Cable Assembly ▶ WINSTA® MINI special ▶ 891 Series

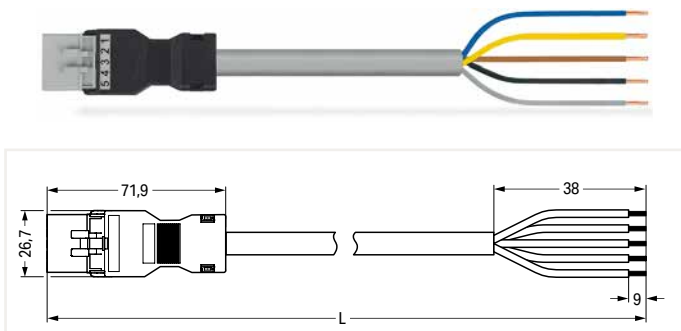
No. of poles: 5 ▶ Protection class: IP20 ▶ Coding: B ▶ Marking: 1 2 3 4 5 ▶ PVC ▶ 1 mm² ▶ Cable diameter: 7.8 ... 9.3 mm ▶ Control line 5 x 1



Total length	Connector color/Strain relief color			PU
	gray/black	light green/black	pink/black	
1 m	891-8995/005-103	891-8995/005-105	891-8995/005-107	1
2 m	891-8995/005-203	891-8995/005-205	891-8995/005-207	1
3 m	891-8995/005-303	891-8995/005-305	891-8995/005-307	1
4 m	891-8995/005-403	891-8995/005-405	891-8995/005-407	1
5 m	891-8995/005-503	891-8995/005-505	891-8995/005-507	1
6 m	891-8995/005-603	891-8995/005-605	891-8995/005-607	1
7 m	891-8995/005-703	891-8995/005-705	891-8995/005-707	1
8 m	891-8995/005-803	891-8995/005-805	891-8995/005-807	1



Total length	Connector color/Strain relief color			PU
	gray/black	light green/black	pink/black	
1 m	891-8995/105-103	891-8995/105-105	891-8995/105-107	1
2 m	891-8995/105-203	891-8995/105-205	891-8995/105-207	1
3 m	891-8995/105-303	891-8995/105-305	891-8995/105-307	1
4 m	891-8995/105-403	891-8995/105-405	891-8995/105-407	1
5 m	891-8995/105-503	891-8995/105-505	891-8995/105-507	1
6 m	891-8995/105-603	891-8995/105-605	891-8995/105-607	1
7 m	891-8995/105-703	891-8995/105-705	891-8995/105-707	1
8 m	891-8995/105-803	891-8995/105-805	891-8995/105-807	1



Total length	Connector color/Strain relief color			PU
	gray/black	light green/black	pink/black	
1 m	891-8995/205-103	891-8995/205-105	891-8995/205-107	1
2 m	891-8995/205-203	891-8995/205-205	891-8995/205-207	1
3 m	891-8995/205-303	891-8995/205-305	891-8995/205-307	1
4 m	891-8995/205-403	891-8995/205-405	891-8995/205-407	1
5 m	891-8995/205-503	891-8995/205-505	891-8995/205-507	1
6 m	891-8995/205-603	891-8995/205-605	891-8995/205-607	1
7 m	891-8995/205-703	891-8995/205-705	891-8995/205-707	1
8 m	891-8995/205-803	891-8995/205-805	891-8995/205-807	1

2

Accessories; for all products on this page



Locking lever; for flying leads; manually operated		
Color	Item No.	PU (SPU)
● black	890-101	100 (50)
○ white	890-121	100 (50)

Locking lever; for flying leads; tool operated		
Color	Item No.	PU (SPU)
● black	890-111	100 (50)
○ white	890-131	100 (50)

Mounting adapter; for 2- to 5-pole for flying leads		
Color	Item No.	PU
● black	890-310	100
○ white	890-311	100

PU = Packaging Unit; SPU = Subpackaging Unit; Dimensions in mm

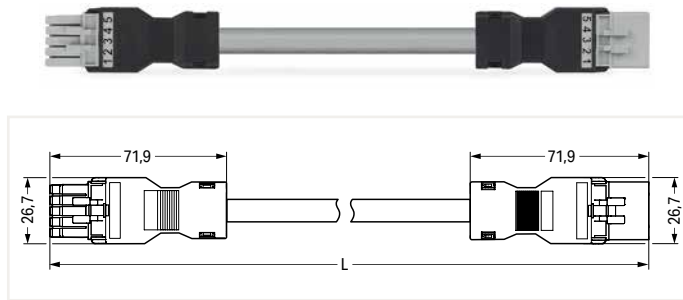
Other variants can be requested via the WAGO sales department or, if necessary, configured at <https://configurator.wago.com/>:

- Other pole markings

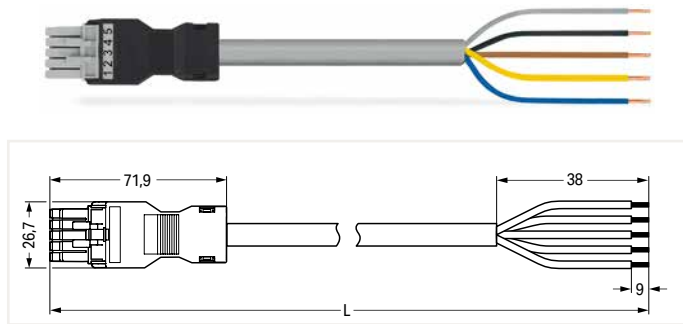
Cable Assembly ▶ WINSTA® MINI special ▶ 891 Series

No. of poles: 5 ▶ Protection class: IP20 ▶ Coding: B ▶ Marking: 1 2 3 4 5 ▶ PVC ▶ 1.5 mm² ▶ Cable diameter: 9.3 ... 11.6 mm ▶ Control line 5 x 1.5

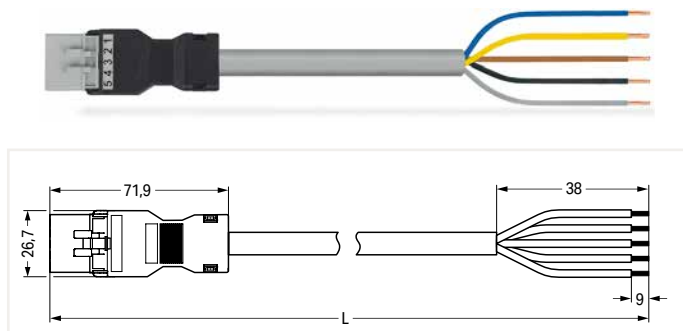
2



Total length	Connector color/Strain relief color			PU
	gray/black	light green/black	pink/black	
1 m	891-8995/006-103	891-8995/006-105	891-8995/006-107	1
2 m	891-8995/006-203	891-8995/006-205	891-8995/006-207	1
3 m	891-8995/006-303	891-8995/006-305	891-8995/006-307	1
4 m	891-8995/006-403	891-8995/006-405	891-8995/006-407	1
5 m	891-8995/006-503	891-8995/006-505	891-8995/006-507	1
6 m	891-8995/006-603	891-8995/006-605	891-8995/006-607	1
7 m	891-8995/006-703	891-8995/006-705	891-8995/006-707	1
8 m	891-8995/006-803	891-8995/006-805	891-8995/006-807	1



Total length	Connector color/Strain relief color			PU
	gray/black	light green/black	pink/black	
1 m	891-8995/106-103	891-8995/106-105	891-8995/106-107	1
2 m	891-8995/106-203	891-8995/106-205	891-8995/106-207	1
3 m	891-8995/106-303	891-8995/106-305	891-8995/106-307	1
4 m	891-8995/106-403	891-8995/106-405	891-8995/106-407	1
5 m	891-8995/106-503	891-8995/106-505	891-8995/106-507	1
6 m	891-8995/106-603	891-8995/106-605	891-8995/106-607	1
7 m	891-8995/106-703	891-8995/106-705	891-8995/106-707	1
8 m	891-8995/106-803	891-8995/106-805	891-8995/106-807	1



Total length	Connector color/Strain relief color			PU
	gray/black	light green/black	pink/black	
1 m	891-8995/206-103	891-8995/206-105	891-8995/206-107	1
2 m	891-8995/206-203	891-8995/206-205	891-8995/206-207	1
3 m	891-8995/206-303	891-8995/206-305	891-8995/206-307	1
4 m	891-8995/206-403	891-8995/206-405	891-8995/206-407	1
5 m	891-8995/206-503	891-8995/206-505	891-8995/206-507	1
6 m	891-8995/206-603	891-8995/206-605	891-8995/206-607	1
7 m	891-8995/206-703	891-8995/206-705	891-8995/206-707	1
8 m	891-8995/206-803	891-8995/206-805	891-8995/206-807	1

Accessories; for all products on this page



Locking lever; for flying leads; manually operated		
Color	Item No.	PU (SPU)
● black	890-101	100 (50)
○ white	890-121	100 (50)

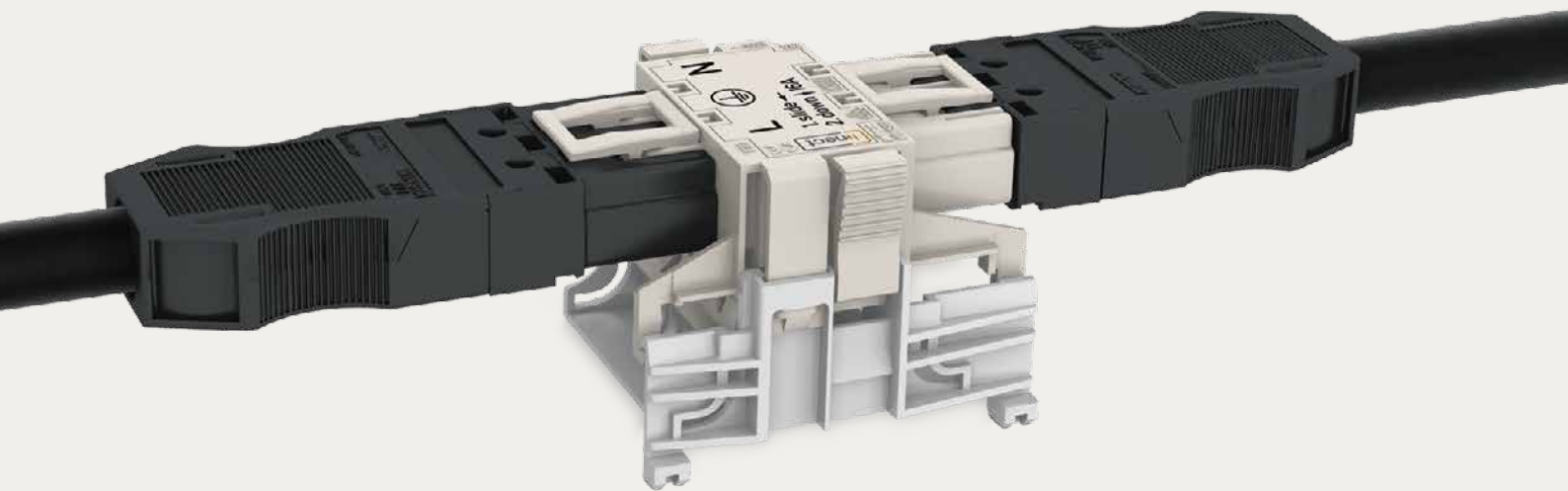
Locking lever; for flying leads; tool operated		
Color	Item No.	PU (SPU)
● black	890-111	100 (50)
○ white	890-131	100 (50)

Mounting adapter; for 2- to 5-pole for flying leads		
Color	Item No.	PU
● black	890-310	100
○ white	890-311	100

PU = Packaging Unit; SPU = Subpackaging Unit; Dimensions in mm

Other variants can be requested via the WAGO sales department or, if necessary, configured at <https://configurator.wago.com/>:

- Other pole markings









WAGO Pluggable Connection System *WINSTA*® MIDI

WAGO Pluggable Connection System WINSTA® MIDI ▶ 770, 771 Series

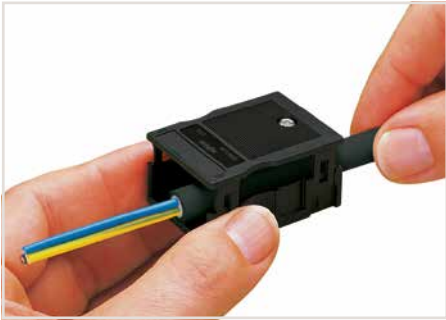
4 mm² / 25 A

- Note:**
- Installation connectors are designed for connection and disconnection while not under load.
 - There is no hazard-inducing interchangeability with systems based on IEC 60309, IEC 60320, IEC 60906 and with national connector and socket systems.
 - Compliance with the standards (IEC 61535) does not guarantee hazard-preventing, non-interchangeability with installation connector systems from various manufacturers.
 - Installation connector systems are not a substitute for residential connector/socket systems.

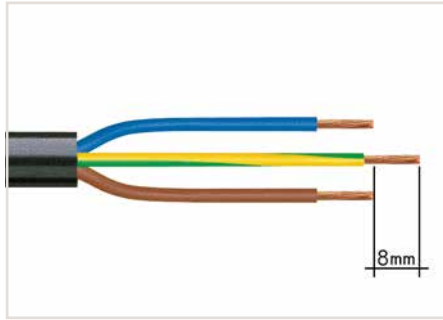
	Page	
	Linect® T-Connectors; 770 Series	
	2-pole	178
	3-pole	210
	4-pole	250
	5-pole	277
	Pluggable Connectors; 770 Series	
	2-pole	174
	3-pole	194
	4-pole	236
	5-pole	258
	Snap-In Device Connectors; 770 Series	
	3-pole	200
	4-pole	240
	Pluggable PCB Connectors; 770 Series	
	3-pole	204
	4-pole	246
	Distribution Connectors; 770 Series	
	2-pole	178
	3-pole	210
	Cable Assemblies; 771 Series	
	2-pole	182
	3-pole	218
	4-pole	254
	Cable Assemblies; IP 2XD; 771 Series	
	3-pole	230

WINSTA® MIDI ▶ 770, 771 Series Installation

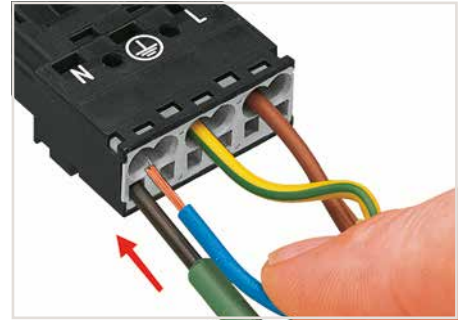
3



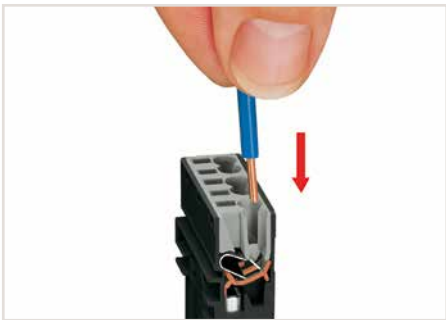
We recommend pulling the pre-latched strain relief housing over the cable prior to termination. However, the strain relief can be mounted at a later time as well.



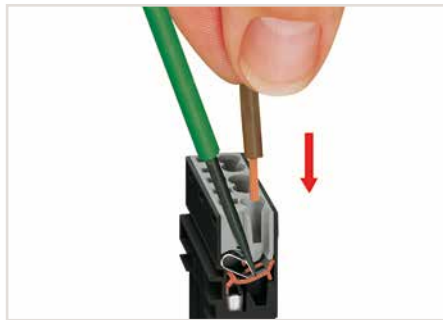
1. Strip length, outer insulation = x mm ❶
2. Strip length = 9 mm
3. Extended ground conductor = 8 mm



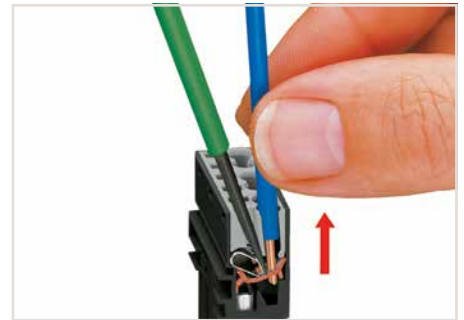
To terminate fine-stranded conductors, open the clamping unit via screwdriver (2.5 mm blade width) and insert a stripped conductor until it hits backstop.



Insert the stripped solid conductor until it hits backstop.



To terminate fine-stranded conductors, open the clamping unit via screwdriver (2.5 mm blade width) and insert a stripped conductor until it hits backstop.



To remove the conductor, actuate the clamp via screwdriver (2.5 mm blade width) and pull out the conductor.



Latch the strain relief housing on the plug/socket. Note the "TOP" inscription.



Prepare strain relief housing by snapping together upper and bottom part.



Tighten strain relief screw via screwdriver (2.5 mm blade width).



Simply cut off the coding pin from the socket.



Insert coding pin into plug (break first) until it engages.



Marking strain relief housing via WSB Quick Marking System.

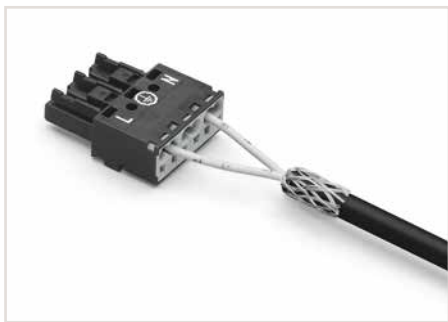
❶ Strip length, outer insulation: 2-pole = 35 mm, 3- to 5-pole = 55 mm



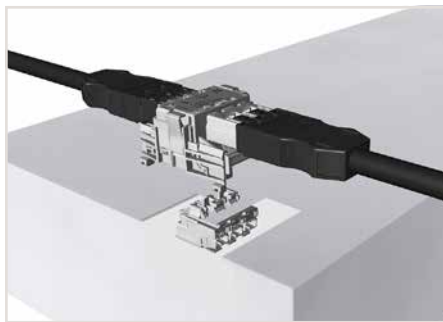
Connector with shield termination



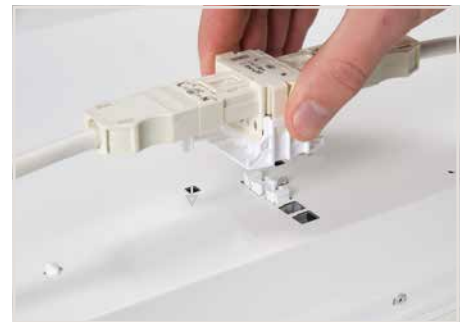
the light connection system



Apply the shield to the rubber cable.
Strip length, outer insulation = 55 mm
Shield length = 10 mm



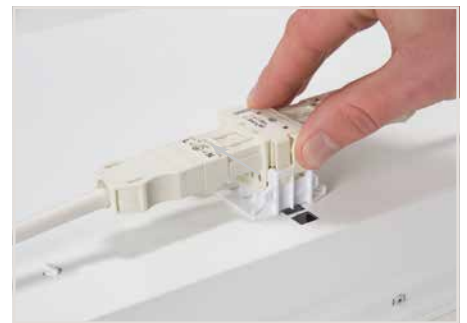
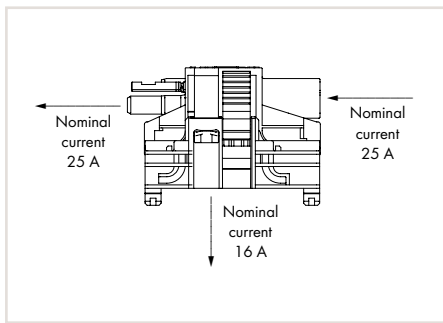
Connecting a T-connector to a 294 Series lighting connector.



Align the T-connector with the square cutouts.



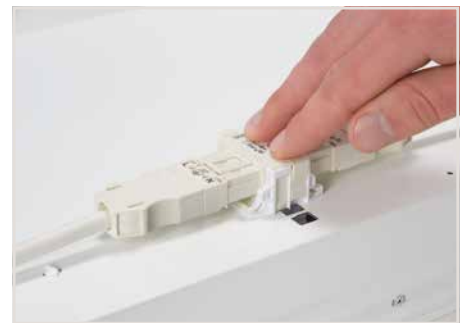
Push the shield connecting plate into the connector until fully inserted.



Move the T-connector toward the square cutouts until it is locked in position.



First insert the wired connector into strain relief housing, then snap cover and tighten screw.



Push down until fully engaged – done!

Pluggable Connector ▶ WINSTA® MIDI ▶ 770 Series

No. of poles: 2 ▶ Number of connection points: 2



- Protected against mismatching and maintenance-free
- Push-in CAGE CLAMP® spring pressure connection technology allows solid conductors to be simply pushed into a unit
- Two-wire connection per pole for loops or bridges

Electrical Data			
Coding	A/I/L		
Ratings per	IEC/EN 60664-1		
Overtension category	III	III	II
Pollution degree	3	2	2
Rated voltage	250 V	-	-
Rated impulse voltage	4 kV	-	-
Rated current	25 A	-	-
Approvals per	UL 1977		
Rated voltage	600 V		
Rated current	23 A		

Connection Data	
Connection technology	Push-in CAGE CLAMP®
Strip length	9 mm / 0.35 Inch
Nominal cross section	4 mm²
Solid conductor	0.5 ... 4 mm² / 20 ... 12 AWG
Solid conductor, push-in termination	1.5 ... 4 mm² / 16 ... 12 AWG
Stranded conductor	0.5 ... 2.5 mm² / 20 ... 14 AWG
Fine-stranded conductor	0.5 ... 4 mm² / 20 ... 12 AWG
Fine-stranded conductor with ferrule with plastic collar	0.25 ... 1.5 mm² / 20 ... 16 AWG
Fine-stranded conductor with ferrule without plastic collar	0.25 ... 2.5 mm² / 20 ... 14 AWG
Fine-stranded conductor with ferrule, push-in termination, from	1.5 mm² / 16 AWG

Material Data	
Insulating material	Polyamide 66 (PA 66)
Flammability class per UL94	V0
Clamping spring material	Chrome nickel spring steel (CrNi)
Contact material	Copper or copper alloy, surface-treated

Mechanical Data	
Mating force of a plug-in connection	Approx. 20 ... 70 N (depending on pole number)
Unmating force of a plug-in connection	When unlocked: approx. 20 ... 70 N (depending on pole number)
Retention force of a plug-in connection	When locked: > 80 N
Protection class	IP20
Note on protection class	Only in mated condition with strain relief housing (These compact connectors are not designed for use in open, easily accessible areas.)
Mismatching protection	All WINSTA® components are 100 % protected against mismatching in terms of: <ul style="list-style-type: none"> • Plugging a different number of poles • Plugging when rotated by 180° • Plugging when laterally staggered • Plugging one pole

Environmental Requirements	
Processing temperature	-5 ... +40 °C
Continuous operating temperature	-35 ... +85 °C
Note on continuous service temperature	Insulating parts for temperatures ≤ 105 °C

All connectors for mounted installations (snap-in versions for lighting fixtures or devices, all types of PCB and distribution connectors) are factory-equipped with locking levers to ensure plugs and sockets are securely locked. Additional locking levers are only required for flying leads (plug/socket).

Application note for the U.S. market (USR): Some versions may also be used for current interruption in accordance with the UL certificate in select applications with currents below 16 A and voltages up to 600 V. For further information, please contact your local sales office.

Strain relief	Page 489
Tools	Page 506
Additional information, see "Technical Section"	
Approvals and corresponding ratings, visit www.wago.com	

Pluggable Connector ▶ WINSTA® MIDI ▶ 770 Series

No. of poles: 2 ▶ Number of connection points: 2 ▶ Cable diameter: 7 ... 10.5 mm

Strain relief housing ▶ Female connector/socket ▶ Strip length: 35 mm

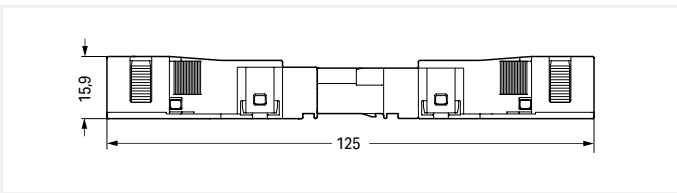
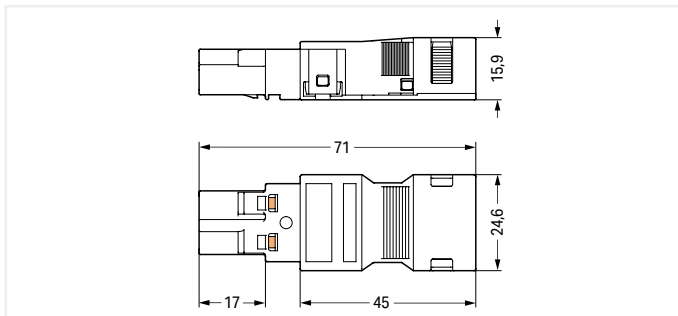
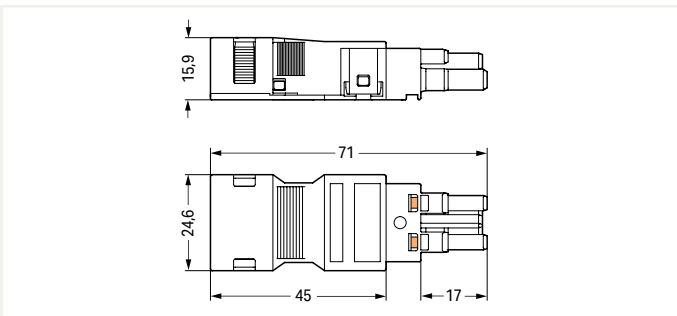
Strain relief housing ▶ Male connector/plug ▶ Strip length: 35 mm



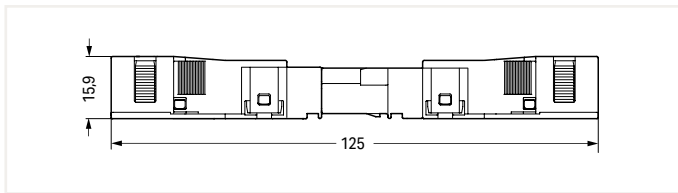
Color	Coding	Marking	Item No.	PU
● black	A	LN	770-102/041-000	25
○ white	A	LN	770-122/041-000	25

Color	Coding	Marking	Item No.	PU
● black	A	LN	770-112/041-000	25
○ white	A	LN	770-132/041-000	25

3



Overall length when mated



Overall length when mated

Item-Specific Accessories

Item-Specific Accessories



Lockout cap; for socket; separable; No. of poles: 12			
Color	Item No.	PU	
● black	770-201	100	
○ white	770-221	100	



Lockout cap; for plug; separable; No. of poles: 5			
Color	Item No.	PU	
● yellow	770-360	100	

Accessories; for all products on this page



Locking lever, for flying leads; manually operated			
Color	Item No.	PU (SPU)	
● black	770-101	100 (25)	
○ white	770-121	100 (25)	



Locking lever, for flying leads; tool operated			
Color	Item No.	PU (SPU)	
● black	770-111	100 (25)	
○ white	770-131	100 (25)	



Operating tool; for WINSTA® MIDI connectors; No. of poles: 2		
Item No.	PU	
770-382	1	

PU = Packaging Unit; SPU = Subpackaging Unit; Dimensions in mm

Pluggable Connector ▶ WINSTA® MIDI ▶ 770 Series

No. of poles: 2 ▶ Number of connection points: 2

Female connector/socket

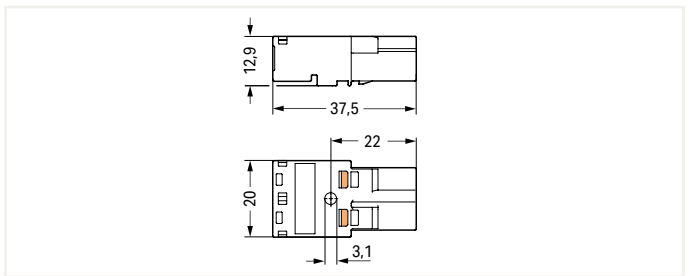
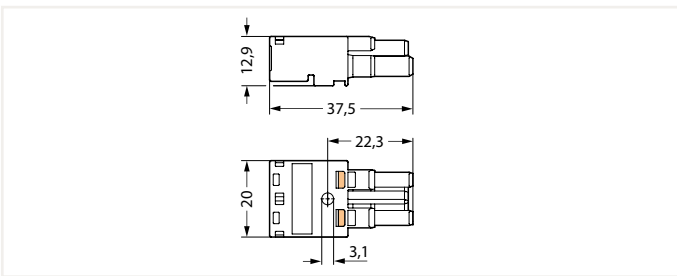
Male connector/plug



3

Color	Coding	Marking	Item No.	PU
● black	A	L N	770-202	100
○ white	A	L N	770-222	100
● blue	I	DA+ DA-	770-1102	100
● dark gray	L	L' N'	770-1162	100

Color	Coding	Marking	Item No.	PU
● black	A	L N	770-212	100
○ white	A	L N	770-232	100
● blue	I	DA+ DA-	770-1112	100
● dark gray	L	L' N'	770-1172	100



Item-Specific Accessories

Item-Specific Accessories



Lockout cap; for socket; separable; No. of poles: 12

Lockout cap; for plug; separable; No. of poles: 5

Color	Item No.	PU
● black	770-201	100
○ white	770-221	100

Color	Item No.	PU
● yellow	770-360	100

Accessories; for all products on this page



Color	Item No.	PU (SPU)
● black	770-101	100 (25)
○ white	770-121	100 (25)

Color	Item No.	PU (SPU)
● black	770-111	100 (25)
○ white	770-131	100 (25)

Item No.	PU
770-382	1



Strain relief housing; Connectable sheathed cable diameter: 5 ... 9 mm; Strip length: 35 mm

Color	Item No.	PU
● black	770-502/042-000	50
○ white	770-512/042-000	50

PU = Packaging Unit; SPU = Subpackaging Unit; Dimensions in mm

Distribution Connector ▶ WINSTA® MIDI ▶ 770 Series

No. of poles: 2



- Protected against mismatching and maintenance-free
- Push-in CAGE CLAMP® spring pressure connection technology allows solid conductors to be simply pushed into a unit
- Two-wire connection per pole for loops or bridges

Electrical Data			
Coding	A/I/L		
Ratings per	IEC/EN 60664-1		
Overvoltage category	III	III	II
Pollution degree	3	2	2
Rated voltage	250 V	-	-
Rated impulse voltage	4 kV	-	-
Rated current	25 A	-	-
Approvals per	UL 1977		
Rated voltage	600 V		
Rated current	23 A		

Material Data	
Insulating material	Polyamide 66 (PA 66)
Flammability class per UL94	V0
Contact material	Copper or copper alloy, surface-treated

Mechanical Data	
Mating force of a plug-in connection	Approx. 20 ... 70 N (depending on pole number)
Unmating force of a plug-in connection	When unlocked: approx. 20 ... 70 N (depending on pole number)
Retention force of a plug-in connection	When locked: > 80 N
Protection class	IP20
Note on protection class	Only in mated condition (These compact connectors are not designed for use in open, easily accessible areas.)
Mismatching protection	All WINSTA® components are 100 % protected against mismatching in terms of: <ul style="list-style-type: none"> • Plugging a different number of poles • Plugging when rotated by 180° • Plugging when laterally staggered • Plugging one pole

Environmental Requirements	
Processing temperature	-5 ... +40 °C
Continuous operating temperature	-35 ... +85 °C
Note on continuous service temperature	Insulating parts for temperatures ≤ 105 °C

All connectors for mounted installations (snap-in versions for lighting fixtures or devices, all types of PCB and distribution connectors) are factory-equipped with locking levers to ensure plugs and sockets are securely locked. Additional locking levers are only required for flying leads (plug/socket).

Application note for the U.S. market (USR): Some versions may also be used for current interruption in accordance with the UL certificate in select applications with currents below 16 A and voltages up to 600 V. For further information, please contact your local sales office.

Additional information, see "Technical Section"

Approvals and corresponding ratings, visit www.wago.com

Distribution Connector ▶ WINSTA® MIDI ▶ 770 Series

No. of poles: 2

Linect® T-connector



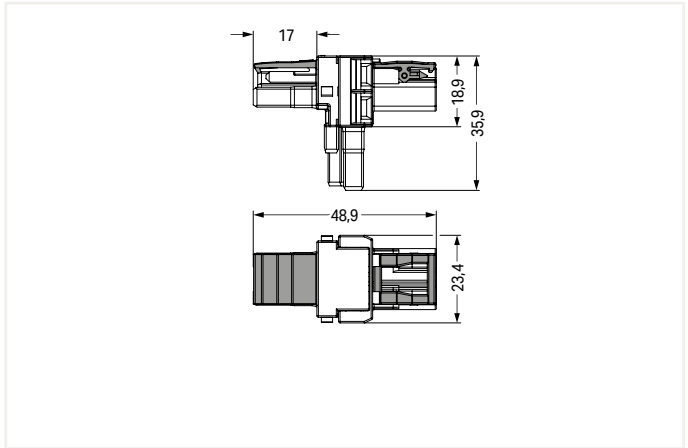
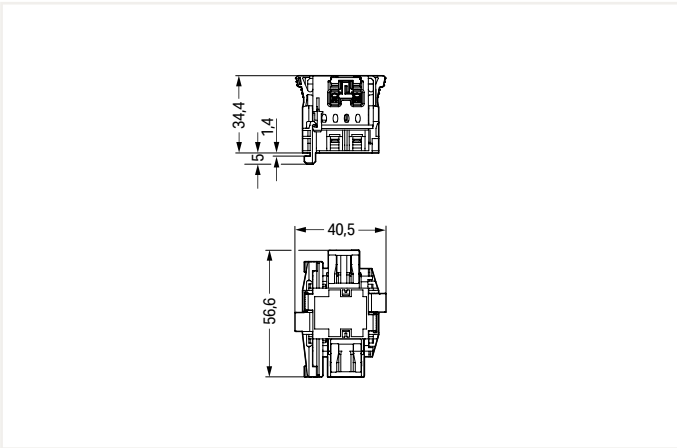
T-distribution connector ▶ Number of locking levers: 2



Color	Coding	Marking	Item No.	PU
● blue	I	DA+ DA-	770-7102	25
● dark gray	L	L' N'	770-7502	25

Color	Coding	Marking	Item No.	PU
● black	A	L N	770-1606	50
○ white	A	L N	770-1656	50

3



Item-Specific Accessories



Mounting adapter; for T-distribution connector; for 2- to 5-pole

Item No.	PU
770-354	50

Accessories; for all products on this page



Lockout cap; for socket; separable; No. of poles: 12		
Color	Item No.	PU
● black	770-201	100
○ white	770-221	100

Lockout cap; for plug; separable; No. of poles: 5		
Color	Item No.	PU
● yellow	770-360	100

PU = Packaging Unit; SPU = Subpackaging Unit; Dimensions in mm

Distribution Connector ▶ WINSTA® MIDI ▶ 770 Series

No. of poles: 2

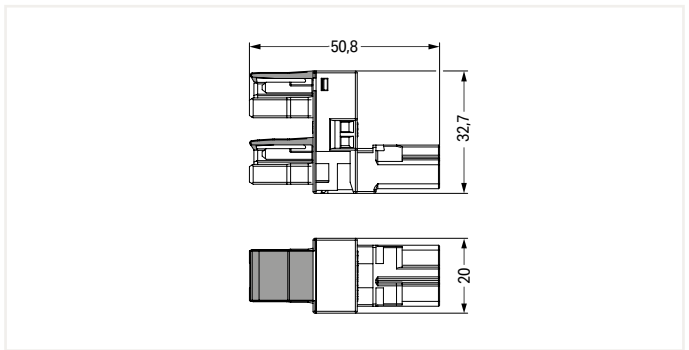
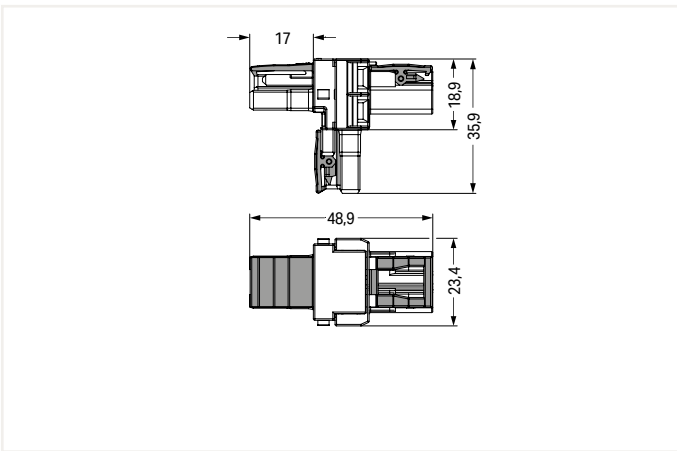
T-distribution connector ▶ Number of locking levers: 3

h-distribution connector, unidirectional ▶ Number of locking levers: 2



Color	Coding	Marking	Item No.	PU
● black	A	L N	770-1615	50
○ white	A	L N	770-1665	50

Color	Coding	Marking	Item No.	PU
● black	A	L N	770-1634	50
○ white	A	L N	770-1684	50



Item-Specific Accessories



Mounting adapter; for T-distribution connector; for 2- to 5-pole

Item No.	PU
770-354	50

Item-Specific Accessories



Mounting plate; for distribution connector; No. of poles: 2

Color	Item No.	PU
● black	770-1626	25
○ white	770-1627	25

Accessories; for all products on this page



Color	Item No.	PU
● black	770-201	100
○ white	770-221	100

Color	Item No.	PU
● yellow	770-360	100

PU = Packaging Unit; SPU = Subpackaging Unit; Dimensions in mm

Distribution Connector ▶ WINSTA® MIDI ▶ 770 Series

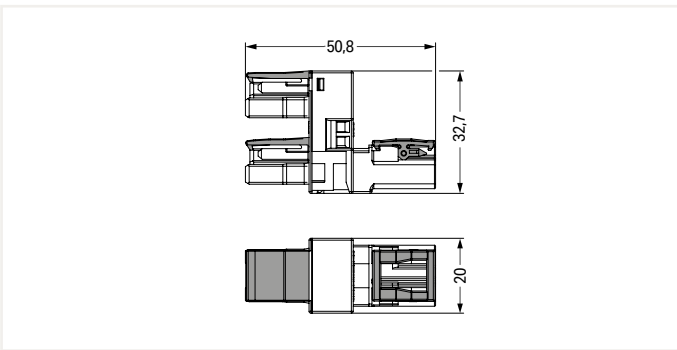
No. of poles: 2

h-distribution connector, unidirectional ▶ Number of locking levers: 3 ▶ for flying leads



Fig. similar

Color	Coding	Marking	Item No.	PU
● black	A	L N	770-1636	50
○ white	A	L N	770-1686	50



3

Accessories; for all products on this page



Mounting plate; for distribution connector; No. of poles: 2

Color	Item No.	PU
● black	770-1626	25
○ white	770-1627	25



Lockout cap; for socket; separable; No. of poles: 12

Color	Item No.	PU
● black	770-201	100
○ white	770-221	100



Lockout cap; for plug; separable; No. of poles: 5

Color	Item No.	PU
● yellow	770-360	100

PU = Packaging Unit; SPU = Subpackaging Unit; Dimensions in mm

Cable Assembly ▶ WINSTA® MIDI ▶ 771 Series

No. of poles: 2 ▶ Protection class: IP20



- Protected against mismating and maintenance-free
- Push-in CAGE CLAMP® spring pressure connection technology allows solid conductors to be simply pushed into a unit
- Two-wire connection per pole for loops or bridges

3

Electrical Data						
Coding	A/I/L			A/L		
Cross section of single conductor	1.5 mm ²			2.5 mm ²		
Ratings per	IEC/EN 60664-1			IEC/EN 60664-1		
Overvoltage category	III	III	II	III	III	II
Pollution degree	3	2	2	3	2	2
Rated voltage	250 V	-	-	250 V	-	-
Rated impulse voltage	4 kV	-	-	4 kV	-	-
Rated current	16 A	-	-	20 A	-	-
Approvals per	UL 1977			UL 1977		
Rated voltage	600 V			600 V		
Rated current	23 A			23 A		

Material Data	
Insulating material	Polyamide 66 (PA 66)
Flammability class per UL94	V0
Contact material	Copper or copper alloy, surface-treated
Reaction to fire class per EN 50575	E _{ca}

Mechanical Data	
Mating force of a plug-in connection	approx. 20 ... 70 N (depending on pole number)
Unmating force of a plug-in connection	when unlocked: approx. 20 ... 70 N (depending on pole number)
Retention force of a plug-in connection	when locked: > 80N
Protection class	IP20
Note on protection class	Only in mated condition with strain relief housing (These compact connectors are not designed for use in open, easily accessible areas.)
Mismating protection	All WINSTA® components are 100 % protected against mismating in terms of: <ul style="list-style-type: none"> • Plugging a different number of poles • Plugging when rotated by 180° • Plugging when laterally staggered • Plugging one pole

Environmental Requirements	
Processing temperature	-5 ... +40 °C
Continuous operating temperature	-35 ... +85 °C
Note on continuous service temperature	PVC cable for temperatures ≤ 70 °C (including halogen-free) Insulating parts for temperatures ≤ 105 °C

Cables with different fire load are available in the eShop

Application note for the U.S. market (USR): Some versions may also be used for current interruption in accordance with the UL certificate in select applications with currents below 16 A and voltages up to 600 V. For further information, please contact your local sales office.

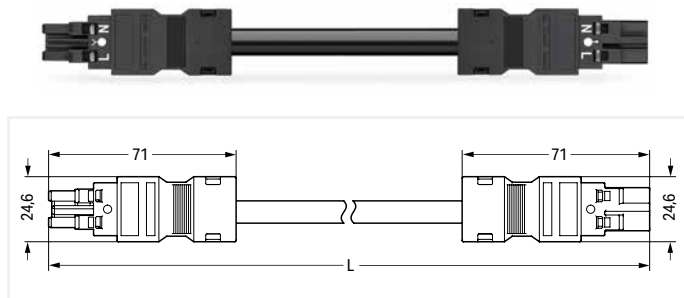
Marking Page 511

Additional information, see "Technical Section"

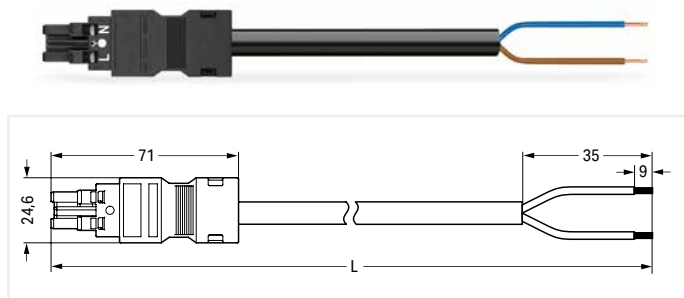
Approvals and corresponding ratings, visit www.wago.com

Cable Assembly ▶ WINSTA® MIDI ▶ 771 Series

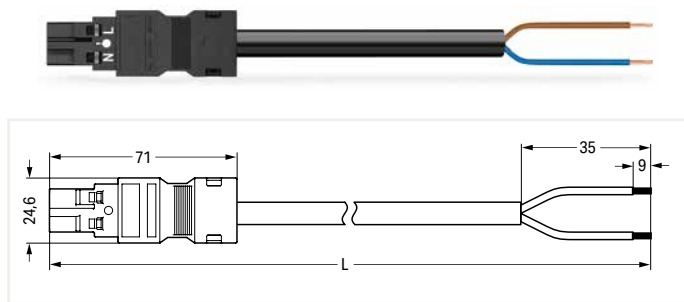
No. of poles: 2 ▶ Protection class: IP20 ▶ 1.5 mm² ▶ Coding: A ▶ Marking: L N ▶ PVC ▶ Cable diameter: 6.8 ... 8.6 mm ▶ H05VV-F 2x1.5



Total length	Connector color/Strain relief color		PU
	black/black	white/white	
1 m	771-8992/006-101	771-8992/006-102	1
2 m	771-8992/006-201	771-8992/006-202	1
3 m	771-8992/006-301	771-8992/006-302	1
4 m	771-8992/006-401	771-8992/006-402	1
5 m	771-8992/006-501	771-8992/006-502	1
6 m	771-8992/006-601	771-8992/006-602	1
7 m	771-8992/006-701	771-8992/006-702	1
8 m	771-8992/006-801	771-8992/006-802	1



Total length	Connector color/Strain relief color		PU
	black/black	white/white	
1 m	771-8992/106-101	771-8992/106-102	1
2 m	771-8992/106-201	771-8992/106-202	1
3 m	771-8992/106-301	771-8992/106-302	1
4 m	771-8992/106-401	771-8992/106-402	1
5 m	771-8992/106-501	771-8992/106-502	1
6 m	771-8992/106-601	771-8992/106-602	1
7 m	771-8992/106-701	771-8992/106-702	1
8 m	771-8992/106-801	771-8992/106-802	1



Total length	Connector color/Strain relief color		PU
	black/black	white/white	
1 m	771-8992/206-101	771-8992/206-102	1
2 m	771-8992/206-201	771-8992/206-202	1
3 m	771-8992/206-301	771-8992/206-302	1
4 m	771-8992/206-401	771-8992/206-402	1
5 m	771-8992/206-501	771-8992/206-502	1
6 m	771-8992/206-601	771-8992/206-602	1
7 m	771-8992/206-701	771-8992/206-702	1
8 m	771-8992/206-801	771-8992/206-802	1

3

Accessories; for all products on this page



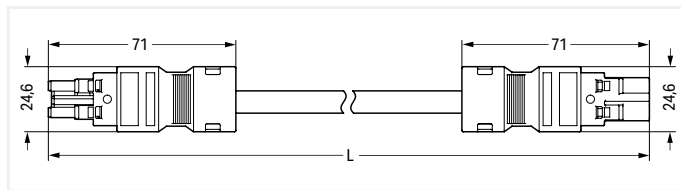
Locking lever, for flying leads; manually operated		
Color	Item No.	PU (SPU)
● black	770-101	100 (25)
○ white	770-121	100 (25)

Locking lever, for flying leads; tool operated		
Color	Item No.	PU (SPU)
● black	770-111	100 (25)
○ white	770-131	100 (25)

PU = Packaging Unit; SPU = Subpackaging Unit; Dimensions in mm

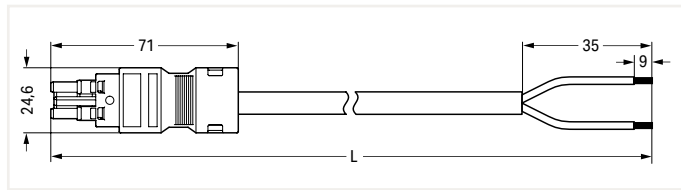
Cable Assembly ▶ WINSTA® MIDI ▶ 771 Series

No. of poles: 2 ▶ Protection class: IP20 ▶ 1.5 mm² ▶ Coding: A ▶ Marking: L N ▶ Halogen-free ▶ Cable diameter: 6.8 ... 8.6 mm ▶ H05Z1Z1-F 2x1.5

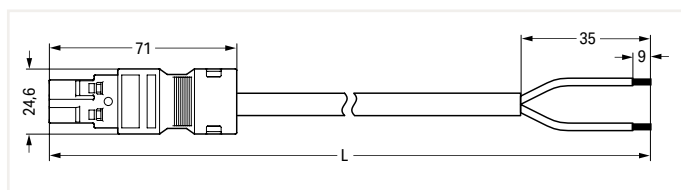


Total length	Connector color/Strain relief color		PU
	black/black	white/white	
1 m	771-8992/016-101	771-8992/016-102	1
2 m	771-8992/016-201	771-8992/016-202	1
3 m	771-8992/016-301	771-8992/016-302	1
4 m	771-8992/016-401	771-8992/016-402	1
5 m	771-8992/016-501	771-8992/016-502	1
6 m	771-8992/016-601	771-8992/016-602	1
7 m	771-8992/016-701	771-8992/016-702	1
8 m	771-8992/016-801	771-8992/016-802	1

3



Total length	Connector color/Strain relief color		PU
	black/black	white/white	
1 m	771-8992/116-101	771-8992/116-102	1
2 m	771-8992/116-201	771-8992/116-202	1
3 m	771-8992/116-301	771-8992/116-302	1
4 m	771-8992/116-401	771-8992/116-402	1
5 m	771-8992/116-501	771-8992/116-502	1
6 m	771-8992/116-601	771-8992/116-602	1
7 m	771-8992/116-701	771-8992/116-702	1
8 m	771-8992/116-801	771-8992/116-802	1



Total length	Connector color/Strain relief color		PU
	black/black	white/white	
1 m	771-8992/216-101	771-8992/216-102	1
2 m	771-8992/216-201	771-8992/216-202	1
3 m	771-8992/216-301	771-8992/216-302	1
4 m	771-8992/216-401	771-8992/216-402	1
5 m	771-8992/216-501	771-8992/216-502	1
6 m	771-8992/216-601	771-8992/216-602	1
7 m	771-8992/216-701	771-8992/216-702	1
8 m	771-8992/216-801	771-8992/216-802	1

Accessories; for all products on this page



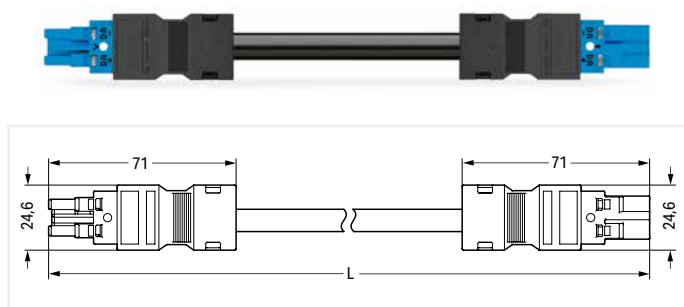
Locking lever, for flying leads; manually operated		
Color	Item No.	PU (SPU)
● black	770-101	100 (25)
○ white	770-121	100 (25)

Locking lever, for flying leads; tool operated		
Color	Item No.	PU (SPU)
● black	770-111	100 (25)
○ white	770-131	100 (25)

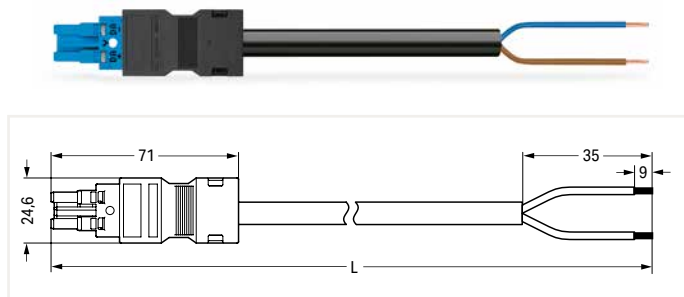
PU = Packaging Unit; SPU = Subpackaging Unit; Dimensions in mm

Cable Assembly ▶ WINSTA® MIDI ▶ 771 Series

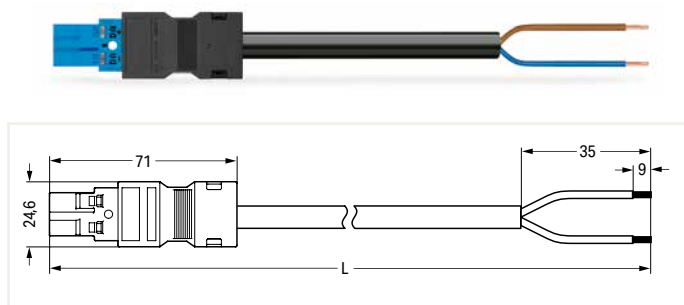
No. of poles: 2 ▶ Protection class: IP20 ▶ 1.5 mm² ▶ Coding: I ▶ Marking: DA+ DA- ▶ PVC ▶ Cable diameter: 6.8 ... 8.6 mm ▶ H05VV-F 2x1.5 ▶ for dimming function (e.g., DALI)



Interconnecting cable ▶ Socket - Plug			
Total length	Connector color/Strain relief color		PU
	blue/black	blue/white	
1 m	771-8982/006-101	771-8982/006-102	1
2 m	771-8982/006-201	771-8982/006-202	1
3 m	771-8982/006-301	771-8982/006-302	1
4 m	771-8982/006-401	771-8982/006-402	1
5 m	771-8982/006-501	771-8982/006-502	1
6 m	771-8982/006-601	771-8982/006-602	1
7 m	771-8982/006-701	771-8982/006-702	1
8 m	771-8982/006-801	771-8982/006-802	1



Connecting cable ▶ Socket - Free end ▶ Strip length: 35 mm			
Total length	Connector color/Strain relief color		PU
	blue/black	blue/white	
1 m	771-8982/106-101	771-8982/106-102	1
2 m	771-8982/106-201	771-8982/106-202	1
3 m	771-8982/106-301	771-8982/106-302	1
4 m	771-8982/106-401	771-8982/106-402	1
5 m	771-8982/106-501	771-8982/106-502	1
6 m	771-8982/106-601	771-8982/106-602	1
7 m	771-8982/106-701	771-8982/106-702	1
8 m	771-8982/106-801	771-8982/106-802	1



Connecting cable ▶ Plug - Free end ▶ Strip length: 35 mm			
Total length	Connector color/Strain relief color		PU
	blue/black	blue/white	
1 m	771-8982/206-101	771-8982/206-102	1
2 m	771-8982/206-201	771-8982/206-202	1
3 m	771-8982/206-301	771-8982/206-302	1
4 m	771-8982/206-401	771-8982/206-402	1
5 m	771-8982/206-501	771-8982/206-502	1
6 m	771-8982/206-601	771-8982/206-602	1
7 m	771-8982/206-701	771-8982/206-702	1
8 m	771-8982/206-801	771-8982/206-802	1

3

Accessories; for all products on this page



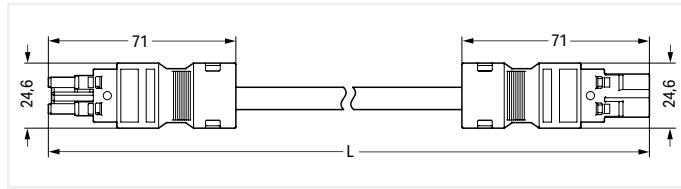
Locking lever, for flying leads; manually operated		
Color	Item No.	PU (SPU)
● black	770-101	100 (25)
○ white	770-121	100 (25)

Locking lever, for flying leads; tool operated		
Color	Item No.	PU (SPU)
● black	770-111	100 (25)
○ white	770-131	100 (25)

PU = Packaging Unit; SPU = Subpackaging Unit; Dimensions in mm

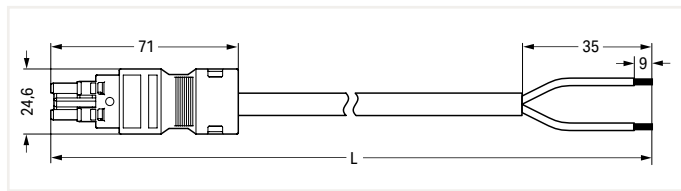
Cable Assembly ▶ WINSTA® MIDI ▶ 771 Series

No. of poles: 2 ▶ Protection class: IP20 ▶ 1.5 mm² ▶ Coding: I ▶ Marking: DA+ DA- ▶ Halogen-free ▶ Cable diameter: 6.8 ... 8.6 mm ▶ H05Z1Z1-F 2x1.5 ▶ for dimming function (e.g., DALI)

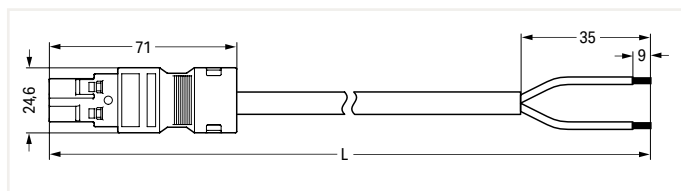


Interconnecting cable ▶ Socket - Plug			
Total length	Connector color/Strain relief color		PU
	blue/black	blue/white	
1 m	771-8982/016-101	771-8982/016-102	1
2 m	771-8982/016-201	771-8982/016-202	1
3 m	771-8982/016-301	771-8982/016-302	1
4 m	771-8982/016-401	771-8982/016-402	1
5 m	771-8982/016-501	771-8982/016-502	1
6 m	771-8982/016-601	771-8982/016-602	1
7 m	771-8982/016-701	771-8982/016-702	1
8 m	771-8982/016-801	771-8982/016-802	1

3



Connecting cable ▶ Socket - Free end ▶ Strip length: 35 mm			
Total length	Connector color/Strain relief color		PU
	blue/black	blue/white	
1 m	771-8982/116-101	771-8982/116-102	1
2 m	771-8982/116-201	771-8982/116-202	1
3 m	771-8982/116-301	771-8982/116-302	1
4 m	771-8982/116-401	771-8982/116-402	1
5 m	771-8982/116-501	771-8982/116-502	1
6 m	771-8982/116-601	771-8982/116-602	1
7 m	771-8982/116-701	771-8982/116-702	1
8 m	771-8982/116-801	771-8982/116-802	1



Connecting cable ▶ Plug - Free end ▶ Strip length: 35 mm			
Total length	Connector color/Strain relief color		PU
	blue/black	blue/white	
1 m	771-8982/216-101	771-8982/216-102	1
2 m	771-8982/216-201	771-8982/216-202	1
3 m	771-8982/216-301	771-8982/216-302	1
4 m	771-8982/216-401	771-8982/216-402	1
5 m	771-8982/216-501	771-8982/216-502	1
6 m	771-8982/216-601	771-8982/216-602	1
7 m	771-8982/216-701	771-8982/216-702	1
8 m	771-8982/216-801	771-8982/216-802	1

Accessories; for all products on this page



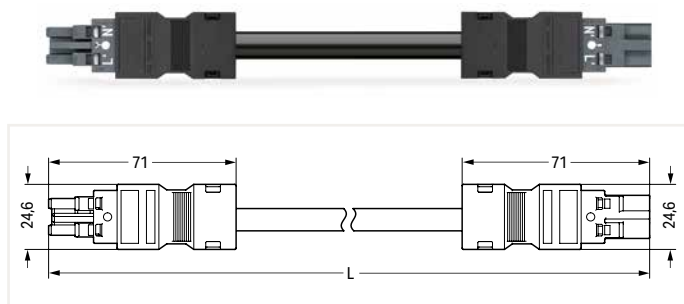
Locking lever, for flying leads; manually operated		
Color	Item No.	PU (SPU)
● black	770-101	100 (25)
○ white	770-121	100 (25)

Locking lever, for flying leads; tool operated		
Color	Item No.	PU (SPU)
● black	770-111	100 (25)
○ white	770-131	100 (25)

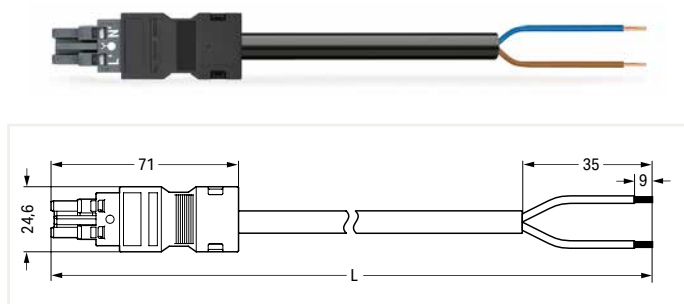
PU = Packaging Unit; SPU = Subpackaging Unit; Dimensions in mm

Cable Assembly ▶ WINSTA® MIDI ▶ 771 Series

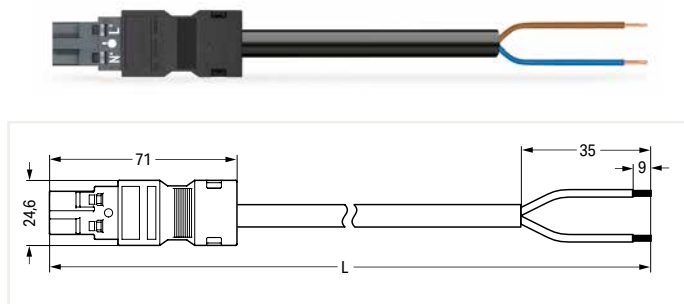
No. of poles: 2 ▶ Protection class: IP20 ▶ 1.5 mm² ▶ Coding: L ▶ Marking: L' N' ▶ PVC ▶ Cable diameter: 6.8 ... 8.6 mm ▶ H05VV-F 2x1.5



Interconnecting cable ▶ Socket - Plug			
Total length	Connector color/Strain relief color		PU
	dark gray/black	dark gray/white	
1 m	771-8982/006-103	771-8982/006-104	1
2 m	771-8982/006-203	771-8982/006-204	1
3 m	771-8982/006-303	771-8982/006-304	1
4 m	771-8982/006-403	771-8982/006-404	1
5 m	771-8982/006-503	771-8982/006-504	1
6 m	771-8982/006-603	771-8982/006-604	1
7 m	771-8982/006-703	771-8982/006-704	1
8 m	771-8982/006-803	771-8982/006-804	1



Connecting cable ▶ Socket - Free end ▶ Strip length: 35 mm			
Total length	Connector color/Strain relief color		PU
	dark gray/black	dark gray/white	
1 m	771-8982/106-103	771-8982/106-104	1
2 m	771-8982/106-203	771-8982/106-204	1
3 m	771-8982/106-303	771-8982/106-304	1
4 m	771-8982/106-403	771-8982/106-404	1
5 m	771-8982/106-503	771-8982/106-504	1
6 m	771-8982/106-603	771-8982/106-604	1
7 m	771-8982/106-703	771-8982/106-704	1
8 m	771-8982/106-803	771-8982/106-804	1



Connecting cable ▶ Plug - Free end ▶ Strip length: 35 mm			
Total length	Connector color/Strain relief color		PU
	dark gray/black	dark gray/white	
1 m	771-8982/206-103	771-8982/206-104	1
2 m	771-8982/206-203	771-8982/206-204	1
3 m	771-8982/206-303	771-8982/206-304	1
4 m	771-8982/206-403	771-8982/206-404	1
5 m	771-8982/206-503	771-8982/206-504	1
6 m	771-8982/206-603	771-8982/206-604	1
7 m	771-8982/206-703	771-8982/206-704	1
8 m	771-8982/206-803	771-8982/206-804	1

3

Accessories; for all products on this page



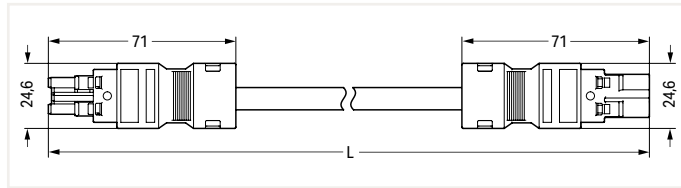
Locking lever, for flying leads; manually operated		
Color	Item No.	PU (SPU)
● black	770-101	100 (25)
○ white	770-121	100 (25)

Locking lever, for flying leads; tool operated		
Color	Item No.	PU (SPU)
● black	770-111	100 (25)
○ white	770-131	100 (25)

PU = Packaging Unit; SPU = Subpackaging Unit; Dimensions in mm

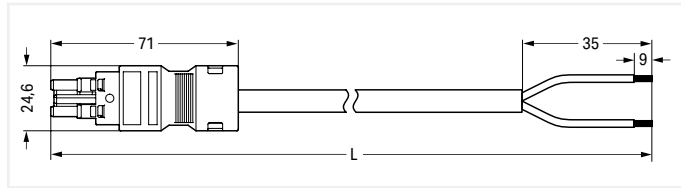
Cable Assembly ▶ WINSTA® MIDI ▶ 771 Series

No. of poles: 2 ▶ Protection class: IP20 ▶ 1.5 mm² ▶ Coding: L ▶ Marking: L' N' ▶ Halogen-free ▶ Cable diameter: 6.8 ... 8.6 mm ▶ H05Z1Z1-F 2x1.5

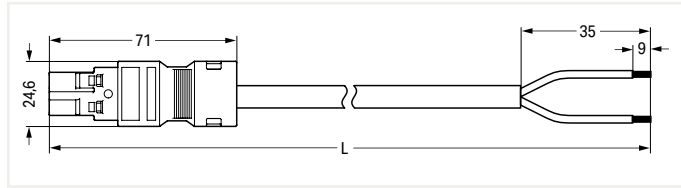


Interconnecting cable ▶ Socket - Plug			
Total length	Connector color/Strain relief color		PU
	dark gray/black	dark gray/white	
1 m	771-8982/016-103	771-8982/016-104	1
2 m	771-8982/016-203	771-8982/016-204	1
3 m	771-8982/016-303	771-8982/016-304	1
4 m	771-8982/016-403	771-8982/016-404	1
5 m	771-8982/016-503	771-8982/016-504	1
6 m	771-8982/016-603	771-8982/016-604	1
7 m	771-8982/016-703	771-8982/016-704	1
8 m	771-8982/016-803	771-8982/016-804	1

3



Connecting cable ▶ Socket - Free end ▶ Strip length: 35 mm			
Total length	Connector color/Strain relief color		PU
	dark gray/black	dark gray/white	
1 m	771-8982/116-103	771-8982/116-104	1
2 m	771-8982/116-203	771-8982/116-204	1
3 m	771-8982/116-303	771-8982/116-304	1
4 m	771-8982/116-403	771-8982/116-404	1
5 m	771-8982/116-503	771-8982/116-504	1
6 m	771-8982/116-603	771-8982/116-604	1
7 m	771-8982/116-703	771-8982/116-704	1
8 m	771-8982/116-803	771-8982/116-804	1



Connecting cable ▶ Plug - Free end ▶ Strip length: 35 mm			
Total length	Connector color/Strain relief color		PU
	dark gray/black	dark gray/white	
1 m	771-8982/216-103	771-8982/216-104	1
2 m	771-8982/216-203	771-8982/216-204	1
3 m	771-8982/216-303	771-8982/216-304	1
4 m	771-8982/216-403	771-8982/216-404	1
5 m	771-8982/216-503	771-8982/216-504	1
6 m	771-8982/216-603	771-8982/216-604	1
7 m	771-8982/216-703	771-8982/216-704	1
8 m	771-8982/216-803	771-8982/216-804	1

Accessories; for all products on this page



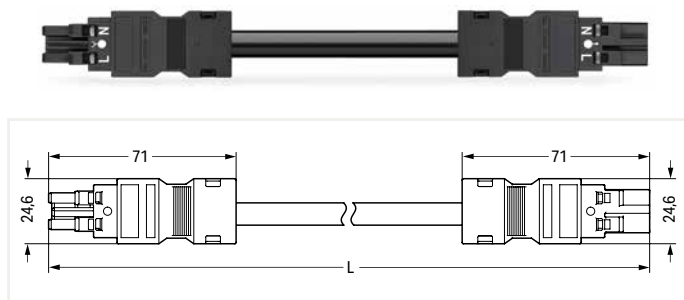
Locking lever, for flying leads; manually operated		
Color	Item No.	PU (SPU)
● black	770-101	100 (25)
○ white	770-121	100 (25)

Locking lever, for flying leads; tool operated		
Color	Item No.	PU (SPU)
● black	770-111	100 (25)
○ white	770-131	100 (25)

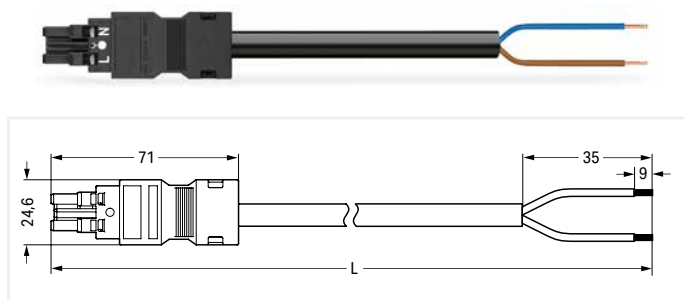
PU = Packaging Unit; SPU = Subpackaging Unit; Dimensions in mm

Cable Assembly ▶ WINSTA® MIDI ▶ 771 Series

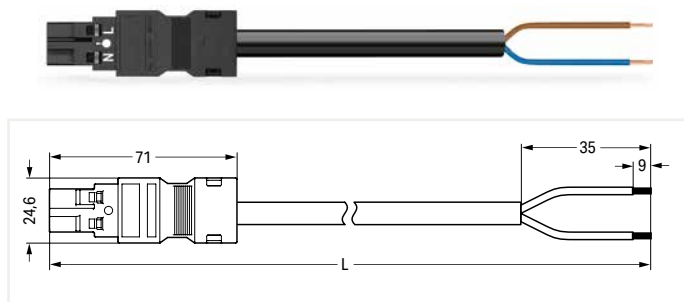
No. of poles: 2 ▶ Protection class: IP20 ▶ 2.5 mm² ▶ Coding: A ▶ Marking: L N ▶ PVC ▶ Cable diameter: 8.4 ... 10.6 mm ▶ H05VV-F 2x2.5



Interconnecting cable ▶ Socket - Plug			
Total length	Connector color/Strain relief color		PU
	black/black	white/white	
1 m	771-8992/007-101	771-8992/007-102	1
2 m	771-8992/007-201	771-8992/007-202	1
3 m	771-8992/007-301	771-8992/007-302	1
4 m	771-8992/007-401	771-8992/007-402	1
5 m	771-8992/007-501	771-8992/007-502	1
6 m	771-8992/007-601	771-8992/007-602	1
7 m	771-8992/007-701	771-8992/007-702	1
8 m	771-8992/007-801	771-8992/007-802	1



Connecting cable ▶ Socket - Free end ▶ Strip length: 35 mm			
Total length	Connector color/Strain relief color		PU
	black/black	white/white	
1 m	771-8992/107-101	771-8992/107-102	1
2 m	771-8992/107-201	771-8992/107-202	1
3 m	771-8992/107-301	771-8992/107-302	1
4 m	771-8992/107-401	771-8992/107-402	1
5 m	771-8992/107-501	771-8992/107-502	1
6 m	771-8992/107-601	771-8992/107-602	1
7 m	771-8992/107-701	771-8992/107-702	1
8 m	771-8992/107-801	771-8992/107-802	1



Connecting cable ▶ Plug - Free end ▶ Strip length: 35 mm			
Total length	Connector color/Strain relief color		PU
	black/black	white/white	
1 m	771-8992/207-101	771-8992/207-102	1
2 m	771-8992/207-201	771-8992/207-202	1
3 m	771-8992/207-301	771-8992/207-302	1
4 m	771-8992/207-401	771-8992/207-402	1
5 m	771-8992/207-501	771-8992/207-502	1
6 m	771-8992/207-601	771-8992/207-602	1
7 m	771-8992/207-701	771-8992/207-702	1
8 m	771-8992/207-801	771-8992/207-802	1

3

Accessories; for all products on this page



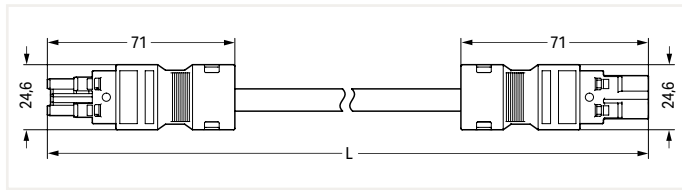
Locking lever, for flying leads; manually operated		
Color	Item No.	PU (SPU)
● black	770-101	100 (25)
○ white	770-121	100 (25)

Locking lever, for flying leads; tool operated		
Color	Item No.	PU (SPU)
● black	770-111	100 (25)
○ white	770-131	100 (25)

PU = Packaging Unit; SPU = Subpackaging Unit; Dimensions in mm

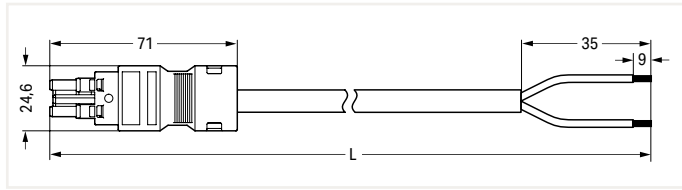
Cable Assembly ▶ WINSTA® MIDI ▶ 771 Series

No. of poles: 2 ▶ Protection class: IP20 ▶ 2.5 mm² ▶ Coding: A ▶ Marking: L N ▶ Halogen-free ▶ Cable diameter: 8.4 ... 10.6 mm ▶ H05Z1Z1-F 2x2.5

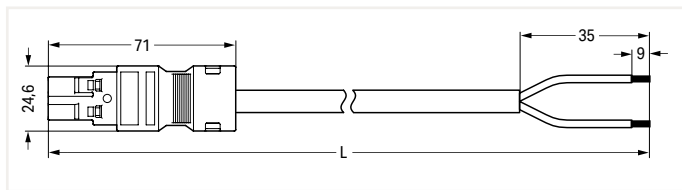


Interconnecting cable ▶ Socket - Plug			
Total length	Connector color/Strain relief color		PU
	black/black	white/white	
1 m	771-8992/017-101	771-8992/017-102	1
2 m	771-8992/017-201	771-8992/017-202	1
3 m	771-8992/017-301	771-8992/017-302	1
4 m	771-8992/017-401	771-8992/017-402	1
5 m	771-8992/017-501	771-8992/017-502	1
6 m	771-8992/017-601	771-8992/017-602	1
7 m	771-8992/017-701	771-8992/017-702	1
8 m	771-8992/017-801	771-8992/017-802	1

3



Connecting cable ▶ Socket - Free end ▶ Strip length: 35 mm			
Total length	Connector color/Strain relief color		PU
	black/black	white/white	
1 m	771-8992/117-101	771-8992/117-102	1
2 m	771-8992/117-201	771-8992/117-202	1
3 m	771-8992/117-301	771-8992/117-302	1
4 m	771-8992/117-401	771-8992/117-402	1
5 m	771-8992/117-501	771-8992/117-502	1
6 m	771-8992/117-601	771-8992/117-602	1
7 m	771-8992/117-701	771-8992/117-702	1
8 m	771-8992/117-801	771-8992/117-802	1



Connecting cable ▶ Plug - Free end ▶ Strip length: 35 mm			
Total length	Connector color/Strain relief color		PU
	black/black	white/white	
1 m	771-8992/217-101	771-8992/217-102	1
2 m	771-8992/217-201	771-8992/217-202	1
3 m	771-8992/217-301	771-8992/217-302	1
4 m	771-8992/217-401	771-8992/217-402	1
5 m	771-8992/217-501	771-8992/217-502	1
6 m	771-8992/217-601	771-8992/217-602	1
7 m	771-8992/217-701	771-8992/217-702	1
8 m	771-8992/217-801	771-8992/217-802	1

Accessories; for all products on this page



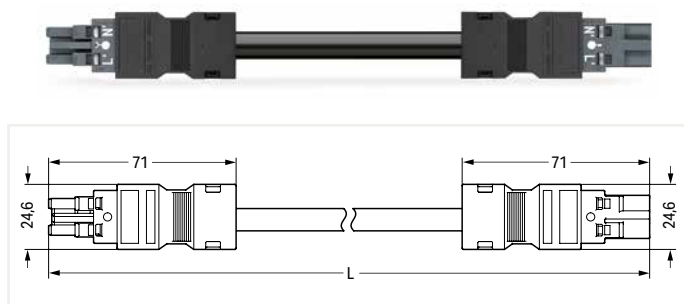
Locking lever, for flying leads; manually operated		
Color	Item No.	PU (SPU)
● black	770-101	100 (25)
○ white	770-121	100 (25)

Locking lever, for flying leads; tool operated		
Color	Item No.	PU (SPU)
● black	770-111	100 (25)
○ white	770-131	100 (25)

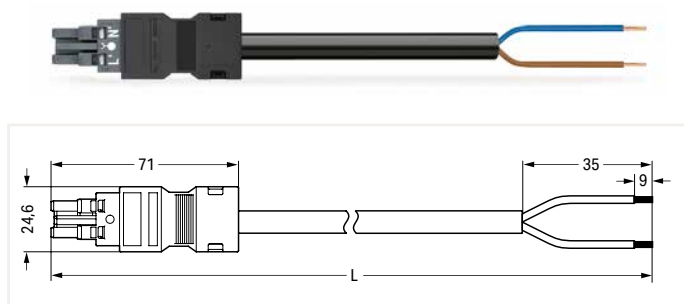
PU = Packaging Unit; SPU = Subpackaging Unit; Dimensions in mm

Cable Assembly ▶ WINSTA® MIDI ▶ 771 Series

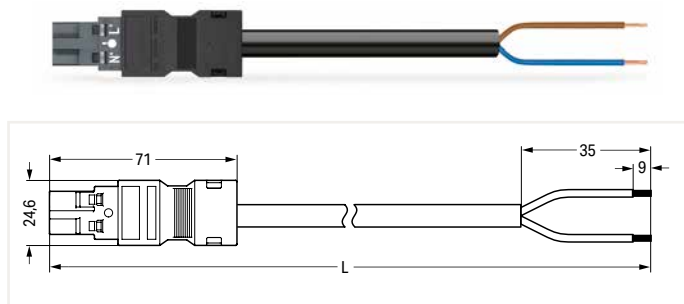
No. of poles: 2 ▶ Protection class: IP20 ▶ 2.5 mm² ▶ Coding: L ▶ Marking: L' N' ▶ PVC ▶ Cable diameter: 8.4 ... 10.6 mm ▶ H05VV-F 2x2.5



Interconnecting cable ▶ Socket - Plug			
Total length	Connector color/Strain relief color		PU
	dark gray/black	dark gray/white	
1 m	771-8982/007-103	771-8982/007-104	1
2 m	771-8982/007-203	771-8982/007-204	1
3 m	771-8982/007-303	771-8982/007-304	1
4 m	771-8982/007-403	771-8982/007-404	1
5 m	771-8982/007-503	771-8982/007-504	1
6 m	771-8982/007-603	771-8982/007-604	1
7 m	771-8982/007-703	771-8982/007-704	1
8 m	771-8982/007-803	771-8982/007-804	1



Connecting cable ▶ Socket - Free end ▶ Strip length: 35 mm			
Total length	Connector color/Strain relief color		PU
	dark gray/black	dark gray/white	
1 m	771-8982/107-103	771-8982/107-104	1
2 m	771-8982/107-203	771-8982/107-204	1
3 m	771-8982/107-303	771-8982/107-304	1
4 m	771-8982/107-403	771-8982/107-404	1
5 m	771-8982/107-503	771-8982/107-504	1
6 m	771-8982/107-603	771-8982/107-604	1
7 m	771-8982/107-703	771-8982/107-704	1
8 m	771-8982/107-803	771-8982/107-804	1



Connecting cable ▶ Plug - Free end ▶ Strip length: 35 mm			
Total length	Connector color/Strain relief color		PU
	dark gray/black	dark gray/white	
1 m	771-8982/207-103	771-8982/207-104	1
2 m	771-8982/207-203	771-8982/207-204	1
3 m	771-8982/207-303	771-8982/207-304	1
4 m	771-8982/207-403	771-8982/207-404	1
5 m	771-8982/207-503	771-8982/207-504	1
6 m	771-8982/207-603	771-8982/207-604	1
7 m	771-8982/207-703	771-8982/207-704	1
8 m	771-8982/207-803	771-8982/207-804	1

3

Accessories; for all products on this page



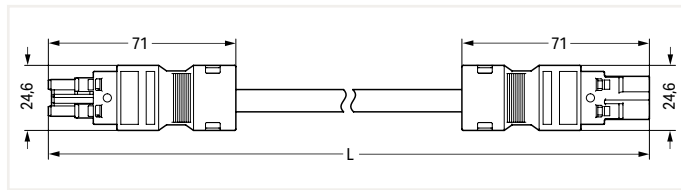
Locking lever, for flying leads; manually operated		
Color	Item No.	PU (SPU)
● black	770-101	100 (25)
○ white	770-121	100 (25)

Locking lever, for flying leads; tool operated		
Color	Item No.	PU (SPU)
● black	770-111	100 (25)
○ white	770-131	100 (25)

PU = Packaging Unit; SPU = Subpackaging Unit; Dimensions in mm

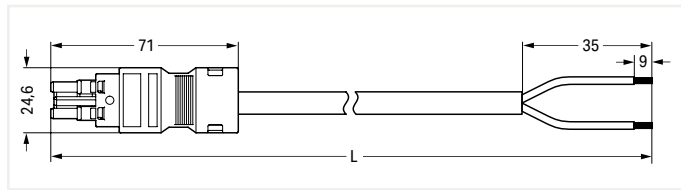
Cable Assembly ▶ WINSTA® MIDI ▶ 771 Series

No. of poles: 2 ▶ Protection class: IP20 ▶ 2.5 mm² ▶ Coding: L ▶ Marking: L' N' ▶ Halogen-free ▶ Cable diameter: 8.4 ... 10.6 mm ▶ H05Z1Z1-F 2x2.5

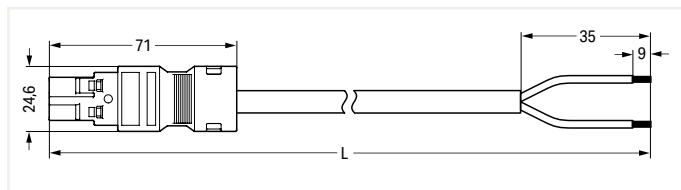


Interconnecting cable ▶ Socket - Plug			
Total length	Connector color/Strain relief color		PU
	dark gray/black	dark gray/white	
1 m	771-8982/017-103	771-8982/017-104	1
2 m	771-8982/017-203	771-8982/017-204	1
3 m	771-8982/017-303	771-8982/017-304	1
4 m	771-8982/017-403	771-8982/017-404	1
5 m	771-8982/017-503	771-8982/017-504	1
6 m	771-8982/017-603	771-8982/017-604	1
7 m	771-8982/017-703	771-8982/017-704	1
8 m	771-8982/017-803	771-8982/017-804	1

3



Connecting cable ▶ Socket - Free end ▶ Strip length: 35 mm			
Total length	Connector color/Strain relief color		PU
	dark gray/black	dark gray/white	
1 m	771-8982/117-103	771-8982/117-104	1
2 m	771-8982/117-203	771-8982/117-204	1
3 m	771-8982/117-303	771-8982/117-304	1
4 m	771-8982/117-403	771-8982/117-404	1
5 m	771-8982/117-503	771-8982/117-504	1
6 m	771-8982/117-603	771-8982/117-604	1
7 m	771-8982/117-703	771-8982/117-704	1
8 m	771-8982/117-803	771-8982/117-804	1



Connecting cable ▶ Plug - Free end ▶ Strip length: 35 mm			
Total length	Connector color/Strain relief color		PU
	dark gray/black	dark gray/white	
1 m	771-8982/217-103	771-8982/217-104	1
2 m	771-8982/217-203	771-8982/217-204	1
3 m	771-8982/217-303	771-8982/217-304	1
4 m	771-8982/217-403	771-8982/217-404	1
5 m	771-8982/217-503	771-8982/217-504	1
6 m	771-8982/217-603	771-8982/217-604	1
7 m	771-8982/217-703	771-8982/217-704	1
8 m	771-8982/217-803	771-8982/217-804	1

Accessories; for all products on this page



Locking lever, for flying leads; manually operated		
Color	Item No.	PU (SPU)
● black	770-101	100 (25)
○ white	770-121	100 (25)

Locking lever, for flying leads; tool operated		
Color	Item No.	PU (SPU)
● black	770-111	100 (25)
○ white	770-131	100 (25)

PU = Packaging Unit; SPU = Subpackaging Unit; Dimensions in mm

Pluggable Connector ▶ WINSTA® MIDI ▶ 770 Series

No. of poles: 3 ▶ Number of connection points: 2



- Protected against mismatching and maintenance-free
- Push-in CAGE CLAMP® spring pressure connection technology allows solid conductors to be simply pushed into a unit
- Two-wire connection per pole for loops or bridges
- Additional variable coding is possible

Electrical Data			
Coding	A/P/R/S		
Ratings per	IEC/EN 60664-1		
Overvoltage category	III	III	II
Pollution degree	3	2	2
Rated voltage	250 V	-	-
Rated impulse voltage	4 kV	-	-
Rated current	25 A	-	-
Approvals per	UL 1977		
Rated voltage	600 V		
Rated current	23 A		

Connection Data	
Connection technology	Push-in CAGE CLAMP®
Strip length	9 mm / 0.35 Inch
Nominal cross section	4 mm ²
Solid conductor	0.5 ... 4 mm ² / 20 ... 12 AWG
Solid conductor, push-in termination	1.5 ... 4 mm ² / 16 ... 12 AWG
Stranded conductor	0.5 ... 2.5 mm ² / 20 ... 14 AWG
Fine-stranded conductor	0.5 ... 4 mm ² / 20 ... 12 AWG
Fine-stranded conductor with ferrule with plastic collar	0.25 ... 1.5 mm ² / 20 ... 16 AWG
Fine-stranded conductor with ferrule without plastic collar	0.25 ... 2.5 mm ² / 20 ... 14 AWG
Fine-stranded conductor with ferrule, push-in termination, from	1.5 mm ² / 16 AWG

Material Data	
Insulating material	Polyamide 66 (PA 66)
Flammability class per UL94	V0
Clamping spring material	Chrome nickel spring steel (CrNi)
Contact material	Copper or copper alloy, surface-treated

Mechanical Data	
Mating force of a plug-in connection	Approx. 20 ... 70 N (depending on pole number)
Unmating force of a plug-in connection	When unlocked: approx. 20 ... 70 N (depending on pole number)
Retention force of a plug-in connection	When locked: > 80 N
Note on protection class	Only in mated condition with strain relief housing (These compact connectors are not designed for use in open, easily accessible areas.)
Mismatching protection	All WINSTA® components are 100 % protected against mismatching in terms of: <ul style="list-style-type: none"> • Plugging a different number of poles • Plugging when rotated by 180° • Plugging when laterally staggered • Plugging one pole

All connectors for mounted installations (snap-in versions for lighting fixtures or devices, all types of PCB and distribution connectors) are factory-equipped with locking levers to ensure plugs and sockets are securely locked. Additional locking levers are only required for flying leads (plug/socket).

Application note for the U.S. market (USR): Some versions may also be used for current interruption in accordance with the UL certificate in select applications with currents below 16 A and voltages up to 600 V. For further information, please contact your local sales office.

Coding	Page 486
Marking	Page 511
Shield connection	Page 489
Strain relief	Page 490
Tools	Page 506
Additional information, see "Technical Section"	
Approvals and corresponding ratings, visit www.wago.com	

Environmental Requirements	
Processing temperature	-5 ... +40 °C
Continuous operating temperature	-35 ... +85 °C
Note on continuous service temperature	Insulating parts for temperatures ≤ 105 °C

Pluggable Connector ▶ WINSTA® MIDI ▶ 770 Series

No. of poles: 3 ▶ Number of connection points: 2

Strain relief housing ▶ Female connector/socket ▶ Strip length: 48 mm ▶ Cable diameter: 7 ... 11.5 mm ▶ for quick assembly

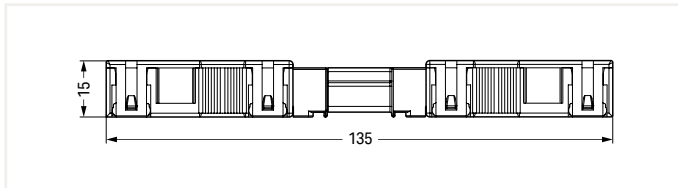
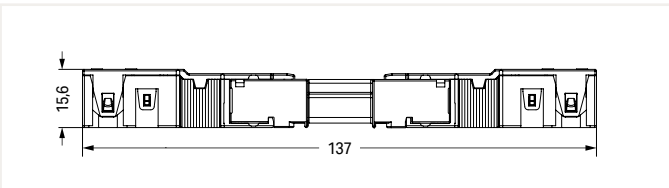
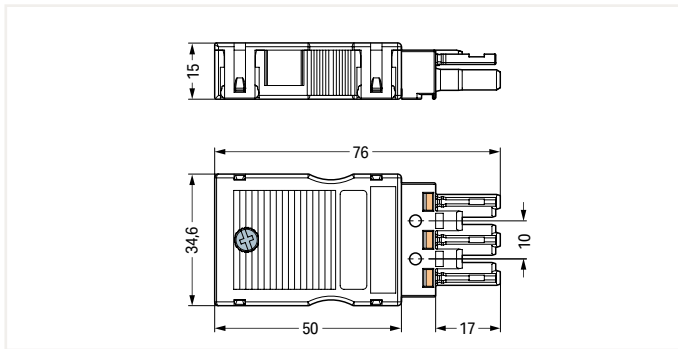
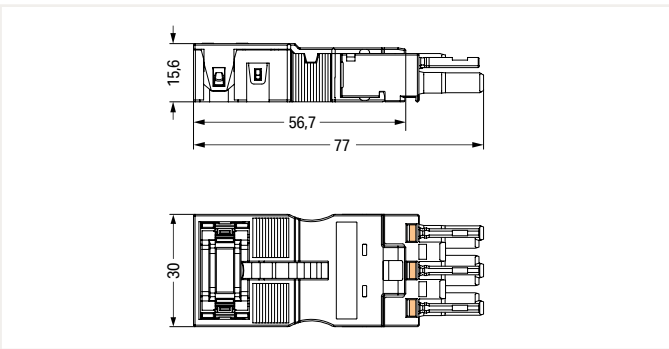
Strain relief housing ▶ Female connector/socket ▶ Strip length: 55 mm ▶ Cable diameter: 8 ... 11.5 mm



Color	Coding	Marking	Item No.	PU
● black	A	L ⊕ N	770-203/035-000	25
○ white	A	L ⊕ N	770-223/035-050	25

Color	Coding	Marking	Item No.	PU
● black	A	L ⊕ N	770-103	25
○ white	A	L ⊕ N	770-123	25

3



Overall length when mated

Overall length when mated

Accessories; for all products on this page



Locking lever, for flying leads; manually operated		
Color	Item No.	PU (SPU)
● black	770-101	100 (25)
○ white	770-121	100 (25)

Locking lever, for flying leads; tool operated		
Color	Item No.	PU (SPU)
● black	770-111	100 (25)
○ white	770-131	100 (25)

Lockout cap; for socket; separable; No. of poles: 12		
Color	Item No.	PU
● black	770-201	100
○ white	770-221	100



Operating tool; for WINSTA® MIDI connectors; No. of poles: 3		
Item No.	PU	
770-383	1	

PU = Packaging Unit; SPU = Subpackaging Unit; Dimensions in mm

Pluggable Connector ▶ WINSTA® MIDI ▶ 770 Series

No. of poles: 3 ▶ Number of connection points: 2

Strain relief housing ▶ Male connector/plug ▶ Strip length: 48 mm ▶ Cable diameter: 7 ... 11.5 mm ▶ for quick assembly

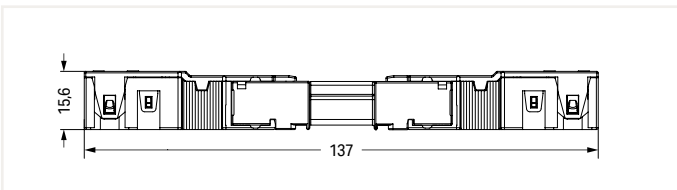
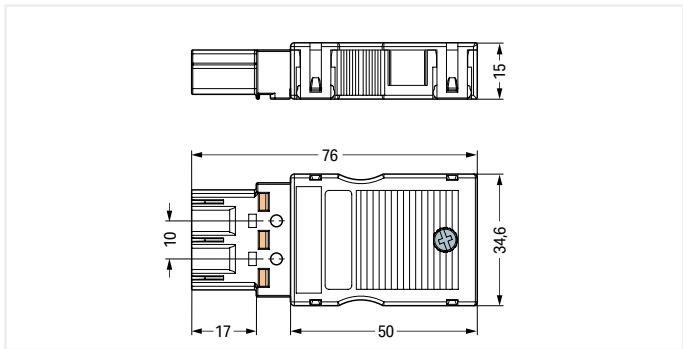
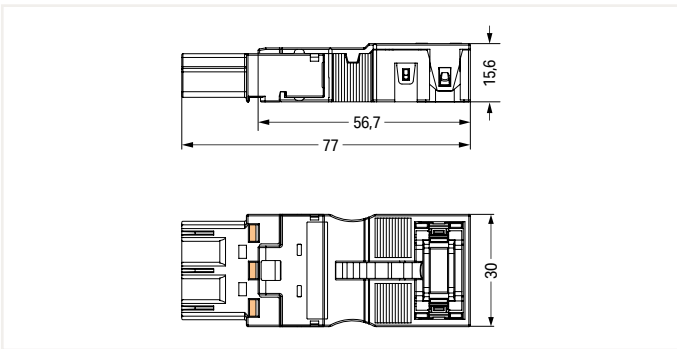
Strain relief housing ▶ Male connector/plug ▶ Strip length: 55 mm ▶ Cable diameter: 8 ... 11.5 mm



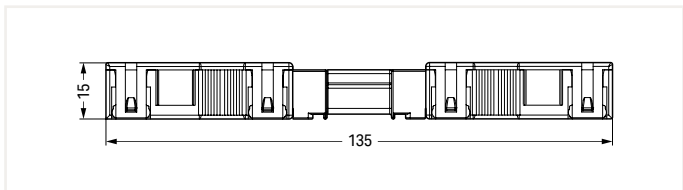
3

Color	Coding	Marking	Item No.	PU
● black	A	L ⊕ N	770-213/035-000	25
○ white	A	L ⊕ N	770-233/035-050	25

Color	Coding	Marking	Item No.	PU
● black	A	L ⊕ N	770-113	25
○ white	A	L ⊕ N	770-133	25



Overall length when mated



Overall length when mated

Accessories; for all products on this page



Locking lever, for flying leads; manually operated		
Color	Item No.	PU (SPU)
● black	770-101	100 (25)
○ white	770-121	100 (25)

Locking lever, for flying leads; tool operated		
Color	Item No.	PU (SPU)
● black	770-111	100 (25)
○ white	770-131	100 (25)

Lockout cap; for plug; separable; No. of poles: 5		
Color	Item No.	PU
● yellow	770-360	100



Operating tool; for WINSTA® MIDI connectors; No. of poles: 3

Item No.	PU
770-383	1

PU = Packaging Unit; SPU = Subpackaging Unit; Dimensions in mm

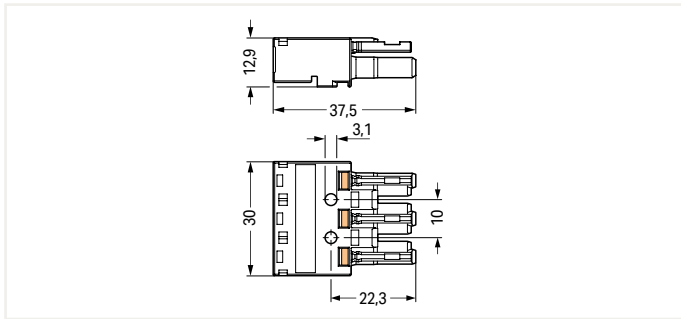
Pluggable Connector ▶ WINSTA® MIDI ▶ 770 Series

No. of poles: 3 ▶ Number of connection points: 2

Female connector/socket



Color	Coding	Marking	Item No.	PU
● black	A	L ⊕ N	770-203	100
○ white	A	L ⊕ N	770-223	100
● red	P	L ⊕ N	770-1303	100
● orange	R	LON LON S	770-1343	100
● brown	S	1 2 L	770-1363	100



3

Accessories; for all products on this page



Locking lever, for flying leads; manually operated

Color	Item No.	PU (SPU)
● black	770-101	100 (25)
○ white	770-121	100 (25)



Locking lever, for flying leads; tool operated

Color	Item No.	PU (SPU)
● black	770-111	100 (25)
○ white	770-131	100 (25)



Lockout cap; for socket; separable; No. of poles: 12

Color	Item No.	PU
● black	770-201	100
○ white	770-221	100



Operating tool; for WINSTA® MIDI connectors; No. of poles: 3

Item No.	PU
770-383	1



Strain relief housing; Connectable sheathed cable diameter: 8 ... 11.5 mm; Strip length: 55 mm

Color	Item No.	PU
● black	770-503	50
○ white	770-513	50

PU = Packaging Unit; SPU = Subpackaging Unit; Dimensions in mm

Pluggable Connector ▶ WINSTA® MIDI ▶ 770 Series

No. of poles: 3 ▶ Number of connection points: 2

Male connector/plug ▶ with direct ground contact

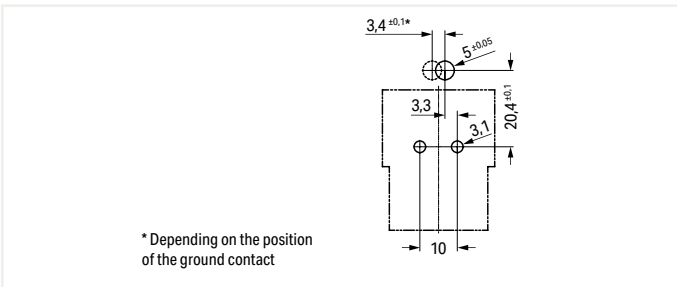
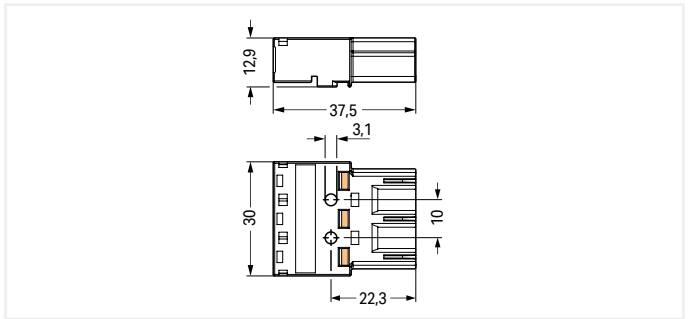
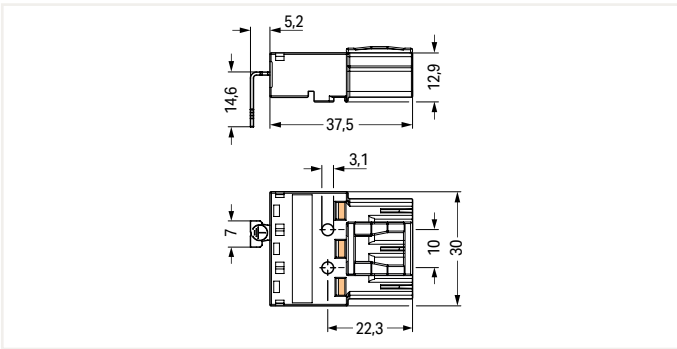
Male connector/plug



3

Color	Coding	Marking	Item No.	PU
● black	A	L ⊕ N	770-213/002-000	100
○ white	A	L ⊕ N	770-233/002-000	100

Color	Coding	Marking	Item No.	PU
● black	A	L ⊕ N	770-213	100
○ white	A	L ⊕ N	770-233	100
● red	P	L ⊕ N	770-1313	100
● orange	R	LON LON S	770-1353	100
● brown	S	1 2 L	770-1373	100



Accessories; for all products on this page



Locking lever, for flying leads; manually operated		
Color	Item No.	PU (SPU)
● black	770-101	100 (25)
○ white	770-121	100 (25)

Locking lever, for flying leads; tool operated		
Color	Item No.	PU (SPU)
● black	770-111	100 (25)
○ white	770-131	100 (25)

Lockout cap; for plug; separable; No. of poles: 5		
Color	Item No.	PU
● yellow	770-360	100



Operating tool; for WINSTA® MIDI connectors; No. of poles: 3		
Item No.	PU	
770-383	1	

Strain relief housing; Connectable sheathed cable diameter: 8 ... 11.5 mm; Strip length: 55 mm		
Color	Item No.	PU
● black	770-503	50
○ white	770-513	50

PU = Packaging Unit; SPU = Subpackaging Unit; Dimensions in mm

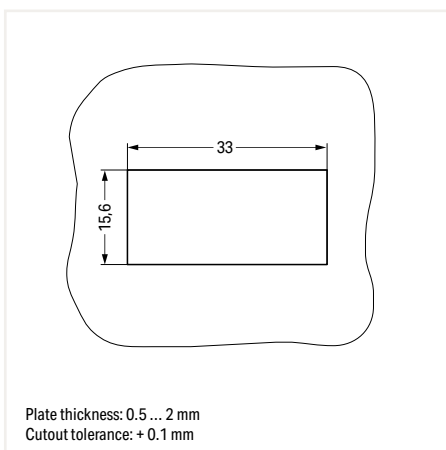
Snap-In Device Connector ▶ WINSTA® MIDI ▶ 770 Series

No. of poles: 3 ▶ Number of connection points: 2



- Protected against mismatching and maintenance-free
- Push-in CAGE CLAMP® spring pressure connection technology allows solid conductors to be simply pushed into a unit
- Two-wire connection per pole for loops or bridges
- Additional variable coding is possible

3



Electrical Data			
Coding	A/P/R/S		
Ratings per	IEC/EN 60664-1		
Overvoltage category	III	III	II
Pollution degree	3	2	2
Rated voltage	250 V	-	-
Rated impulse voltage	4 kV	-	-
Rated current	25 A	-	-
Approvals per	UL 1977		
Rated voltage	600 V		
Rated current	23 A		

Connection Data	
Connection technology	Push-in CAGE CLAMP®
Strip length	9 mm / 0.35 Inch
Nominal cross section	4 mm²
Solid conductor	0.5 ... 4 mm² / 20 ... 12 AWG
Solid conductor, push-in termination	1.5 ... 4 mm² / 16 ... 12 AWG
Stranded conductor	0.5 ... 2.5 mm² / 20 ... 14 AWG
Fine-stranded conductor	0.5 ... 4 mm² / 20 ... 12 AWG
Fine-stranded conductor with ferrule with plastic collar	0.25 ... 1.5 mm² / 20 ... 16 AWG
Fine-stranded conductor with ferrule without plastic collar	0.25 ... 2.5 mm² / 20 ... 14 AWG
Fine-stranded conductor with ferrule, push-in termination, from	1.5 mm² / 16 AWG

Material Data	
Insulating material	Polyamide 66 (PA 66)
Flammability class per UL94	V0
Clamping spring material	Chrome nickel spring steel (CrNi)
Contact material	Copper or copper alloy, surface-treated

Mechanical Data	
Mating force of a plug-in connection	Approx. 20 ... 70 N (depending on pole number)
Unmating force of a plug-in connection	When unlocked: approx. 20 ... 70 N (depending on pole number)
Retention force of a plug-in connection	When locked: > 80 N
Protection class	IP20
Note on protection class	Only in mated condition with strain relief housing (These compact connectors are not designed for use in open, easily accessible areas.)
Mismatching protection	All WINSTA® components are 100 % protected against mismatching in terms of: <ul style="list-style-type: none"> • Plugging a different number of poles • Plugging when rotated by 180° • Plugging when laterally staggered • Plugging one pole

Environmental Requirements	
Processing temperature	-5 ... +40 °C
Continuous operating temperature	-35 ... +85 °C
Note on continuous service temperature	Insulating parts for temperatures ≤ 105 °C

All connectors for mounted installations (snap-in versions for lighting fixtures or devices, all types of PCB and distribution connectors) are factory-equipped with locking levers to ensure plugs and sockets are securely locked. Additional locking levers are only required for flying leads (plug/socket).

Application note for the U.S. market (USR): Some versions may also be used for current interruption in accordance with the UL certificate in select applications with currents below 16 A and voltages up to 600 V. For further information, please contact your local sales office.

Coding Page 486

Tools Page 506

Additional information, see "Technical Section"

Approvals and corresponding ratings, visit www.wago.com

Snap-In Device Connector ▶ WINSTA® MIDI ▶ 770 Series

No. of poles: 3 ▶ Number of connection points: 2

Female connector/socket

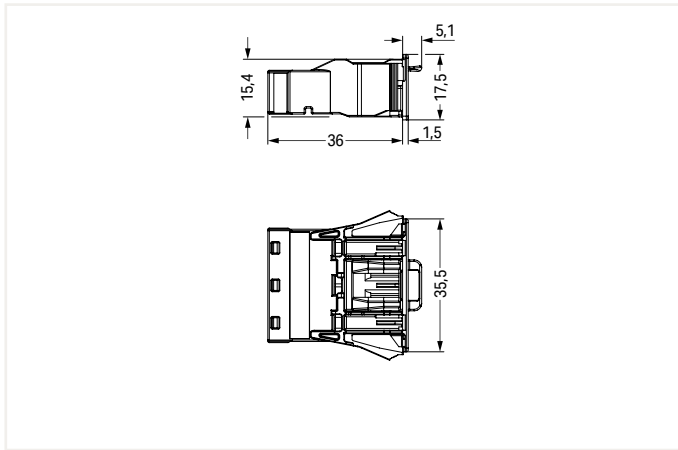
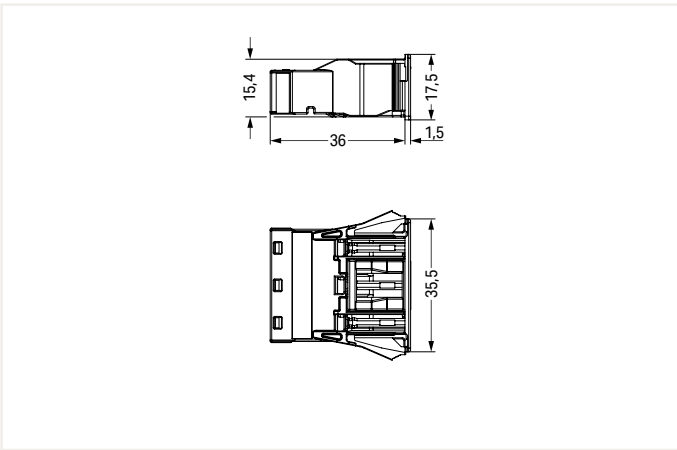
Male connector/plug



Color	Coding	Marking	Item No.	PU
● black	A	L ⊕ N	770-703	100
○ white	A	L ⊕ N	770-723	100
● red	P	L ⊕ N	770-2303	100
● orange	R	LON LON S	770-2343	100
● brown	S	1 2 L	770-2363	100

Color	Coding	Marking	Item No.	PU
● black	A	L ⊕ N	770-713	100
○ white	A	L ⊕ N	770-733	100
● red	P	L ⊕ N	770-2313	100
● orange	R	LON LON S	770-2353	100

3



Item-Specific Accessories

Item-Specific Accessories



Lockout cap; for socket; separable; No. of poles: 12

Color	Item No.	PU
● black	770-201	100
○ white	770-221	100

Lockout cap; for plug; separable; No. of poles: 5

Color	Item No.	PU
● yellow	770-360	100

Accessories; for all products on this page



Operating tool; for WINSTA® MIDI connectors; No. of poles: 3

Item No.	PU
770-383	1

Lockout cap; for cutout; No. of poles: 3

Color	Item No.	PU
● black	770-643	100
○ white	770-693	100

PU = Packaging Unit; SPU = Subpackaging Unit; Dimensions in mm

Snap-In Device Connector ▶ WINSTA® MIDI ▶ 770 Series

No. of poles: 3 ▶ Number of connection points: 2

With protruding interface ▶ Female connector/socket

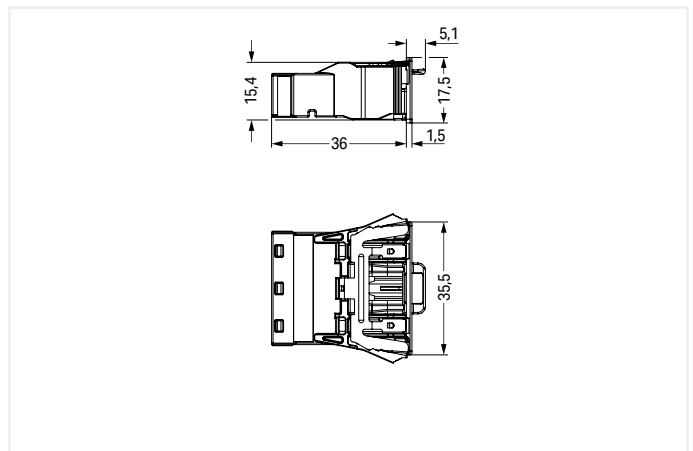
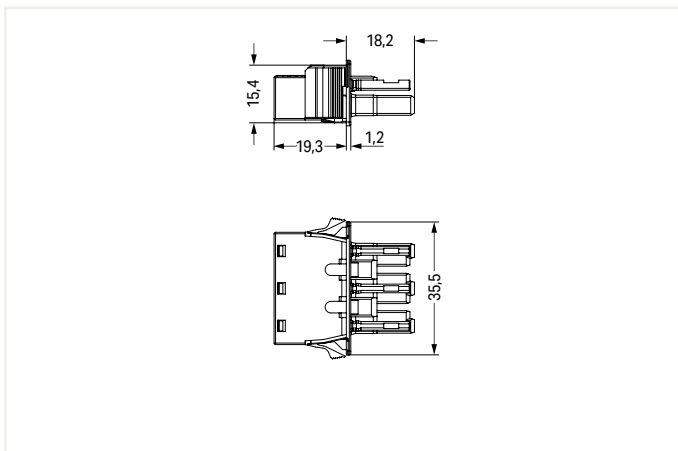
With direct ground contact ▶ Male connector/plug



3

Color	Coding	Marking	Item No.	PU
● black	A	L ⊕ N	770-703/009-000	100
○ white	A	L ⊕ N	770-723/009-000	100

Color	Coding	Marking	Item No.	PU
● black	A	L ⊕ N	770-713/007-000	100
○ white	A	L ⊕ N	770-733/007-000	100
● red	P	L ⊕ N	770-2313/007-000	100



Item-Specific Accessories

Item-Specific Accessories



Lockout cap; for socket; separable; No. of poles: 12

Color	Item No.	PU
● black	770-201	100
○ white	770-221	100

Lockout cap; for plug; separable; No. of poles: 5

Color	Item No.	PU
● yellow	770-360	100

Accessories; for all products on this page



Operating tool; for WINSTA® MIDI connectors; No. of poles: 3

Item No.	PU
770-383	1

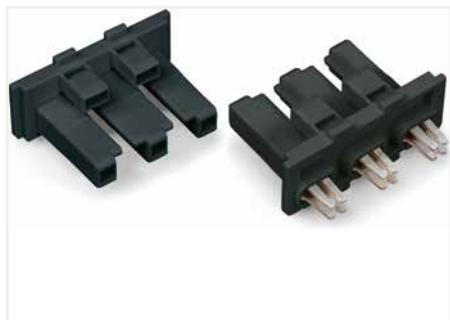
Lockout cap; for cutout; No. of poles: 3

Color	Item No.	PU
● black	770-643	100
○ white	770-693	100

PU = Packaging Unit; SPU = Subpackaging Unit; Dimensions in mm

Pluggable Connector ▶ WINSTA® MIDI ▶ 770 Series

No. of poles: 3



- Protected against mismatching and maintenance-free
- Push-in CAGE CLAMP® spring pressure connection technology allows solid conductors to be simply pushed into a unit
- Two-wire connection per pole for loops or bridges
- Additional variable coding is possible

Electrical Data			
Coding	A		
Ratings per	IEC/EN 60664-1		
Overvoltage category	III	III	II
Pollution degree	3	2	2
Rated voltage	250 V	-	-
Rated impulse voltage	4 kV	-	-
Rated current	25 A	-	-
Approvals per	UL 1977		
Rated voltage	600 V		
Rated current	23 A		

Material Data	
Insulating material	Polyamide 66 (PA 66)
Flammability class per UL94	V0
Clamping spring material	Chrome nickel spring steel (CrNi)
Contact material	Copper or copper alloy, surface-treated

Mechanical Data	
Mating force of a plug-in connection	Approx. 20 ... 70 N (depending on pole number)
Unmating force of a plug-in connection	When unlocked: approx. 20 ... 70 N (depending on pole number)
Retention force of a plug-in connection	When locked: > 80 N
Protection class	IP20
Note on protection class	Only in mated condition with strain relief housing (These compact connectors are not designed for use in open, easily accessible areas.)
Mismatching protection	All WINSTA® components are 100 % protected against mismatching in terms of: <ul style="list-style-type: none"> • Plugging a different number of poles • Plugging when rotated by 180° • Plugging when laterally staggered • Plugging one pole

Environmental Requirements	
Processing temperature	-5 ... +40 °C
Continuous operating temperature	-35 ... +85 °C
Note on continuous service temperature	Insulating parts for temperatures ≤ 105 °C

Application note for the U.S. market (USR): Some versions may also be used for current interruption in accordance with the UL certificate in select applications with currents below 16 A and voltages up to 600 V. For further information, please contact your local sales office.

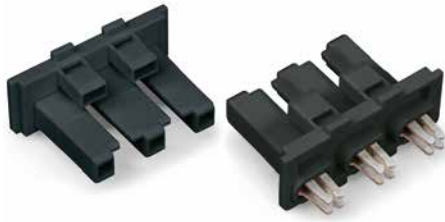
Additional information, see "Technical Section"

Approvals and corresponding ratings, visit www.wago.com

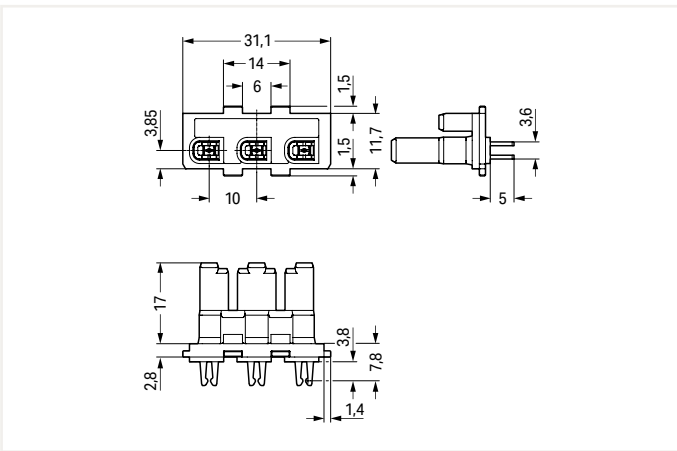
Pluggable Connector ▶ WINSTA® MIDI ▶ 770 Series

No. of poles: 3

Female connector/socket



Color	Coding	Aufdruck	Item No.	PU
● black	A		770-408	100
○ white	A		770-428	100



Item-Specific Accessories



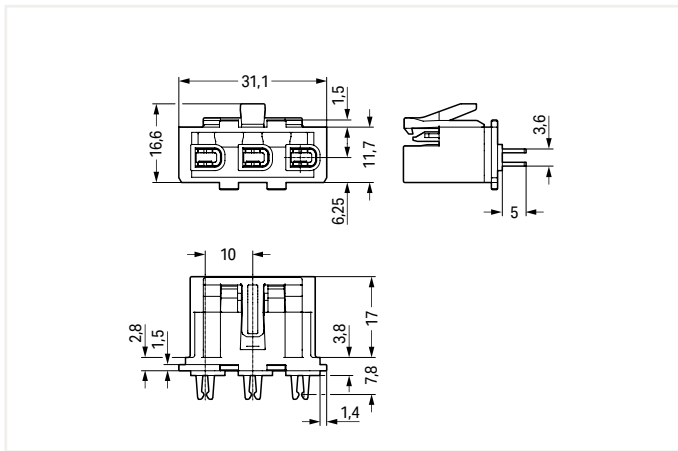
Lockout cap; for socket; separable; No. of poles: 12

Color	Item No.	PU
● black	770-201	100
○ white	770-221	100

Male connector/plug



Color	Coding	Aufdruck	Item No.	PU
● black	A		770-418	100
○ white	A		770-438	100



Item-Specific Accessories



Lockout cap; for plug; separable; No. of poles: 5

Color	Item No.	PU
● yellow	770-360	100

3

Pluggable PCB Connector ▶ WINSTA® MIDI ▶ 770 Series

No. of poles: 3



- Protected against mismatching and maintenance-free
- Push-in CAGE CLAMP® spring pressure connection technology allows solid conductors to be simply pushed into a unit
- Two-wire connection per pole for loops or bridges
- Additional variable coding is possible

Electrical Data			
Coding	A		
Ratings per	IEC/EN 60664-1		
Overvoltage category	III	III	II
Pollution degree	3	2	2
Rated voltage	250 V	-	-
Rated impulse voltage	4 kV	-	-
Rated current	25 A	-	-
Approvals per	UL 1977		
Rated voltage	600 V		
Rated current	23 A		

Material Data	
Insulating material	Polyamide 66 (PA 66)
Flammability class per UL94	V0
Contact material	Copper or copper alloy, surface-treated

Mechanical Data	
Solder pin arrangement	2 in-line solder pins/pole
Solder pin length	3.5 mm
Solder pin dimensions	1 x 0.8 mm
Drilled hole diameter (tolerance)	1.5 ^(+0.1) mm
Mating force of a plug-in connection	Approx. 20 ... 70 N (depending on pole number)
Unmating force of a plug-in connection	When unlocked: approx. 20 ... 70 N (depending on pole number)
Retention force of a plug-in connection	When locked: > 80 N
Protection class	IP20
Note on protection class	Only in mated condition with strain relief housing (These compact connectors are not designed for use in open, easily accessible areas.)
Mismatching protection	All WINSTA® components are 100 % protected against mismatching in terms of: <ul style="list-style-type: none"> • Plugging a different number of poles • Plugging when rotated by 180° • Plugging when laterally staggered • Plugging one pole

Environmental Requirements	
Processing temperature	-5 ... +40 °C
Continuous operating temperature	-35 ... +85 °C
Note on continuous service temperature	Insulating parts for temperatures ≤ 105 °C

All connectors for mounted installations (snap-in versions for lighting fixtures or devices, all types of PCB and distribution connectors) are factory-equipped with locking levers to ensure plugs and sockets are securely locked. Additional locking levers are only required for flying leads (plug/socket).

Application note for the U.S. market (USR): Some versions may also be used for current interruption in accordance with the UL certificate in select applications with currents below 16 A and voltages up to 600 V. For further information, please contact your local sales office.

Coding Page 486

Additional information, see "Technical Section"

Approvals and corresponding ratings, visit www.wago.com

Pluggable PCB Connector ▶ WINSTA® MIDI ▶ 770 Series

No. of poles: 3

Straight ▶ Female connector/socket



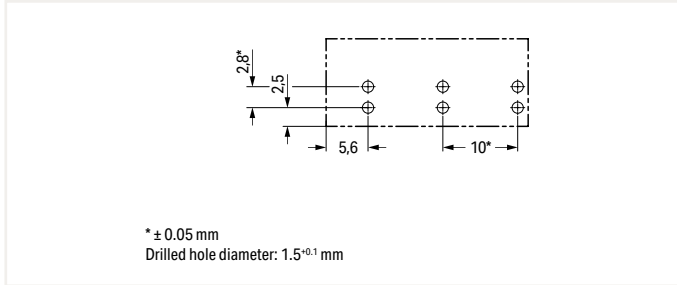
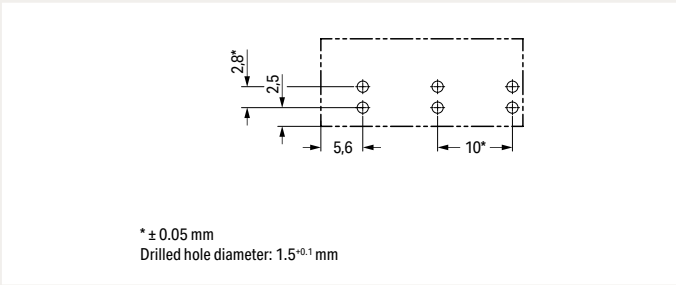
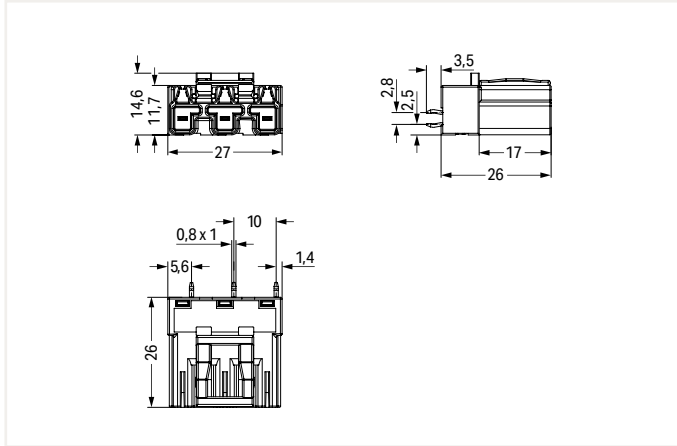
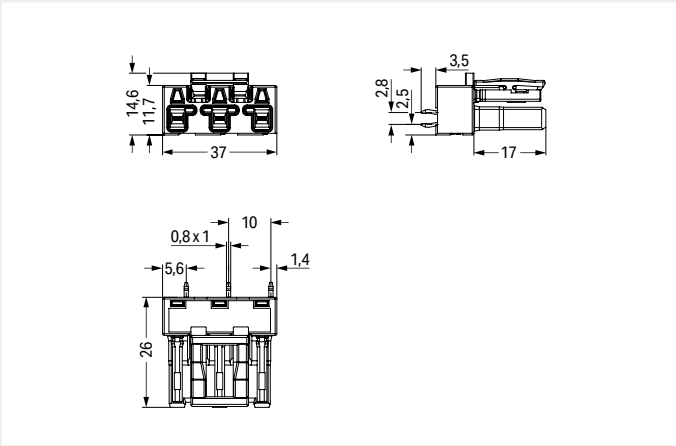
Straight ▶ Male connector/plug



Color	Coding	Marking	Item No.	PU
● black	A	L ⊕ N	770-803	100
○ white	A	L ⊕ N	770-823	100

Color	Coding	Marking	Item No.	PU
● black	A	L ⊕ N	770-813	100
○ white	A	L ⊕ N	770-833	100

3



Item-Specific Accessories



Lockout cap; for socket; separable; No. of poles: 12

Color	Item No.	PU
● black	770-201	100
○ white	770-221	100

Item-Specific Accessories



Lockout cap; for plug; separable; No. of poles: 5

Color	Item No.	PU
● yellow	770-360	100

PU = Packaging Unit; SPU = Subpackaging Unit; Dimensions in mm

Pluggable PCB Connector ▶ WINSTA® MIDI ▶ 770 Series

No. of poles: 3

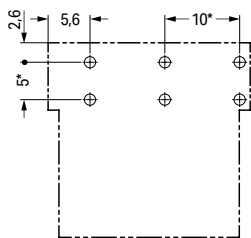
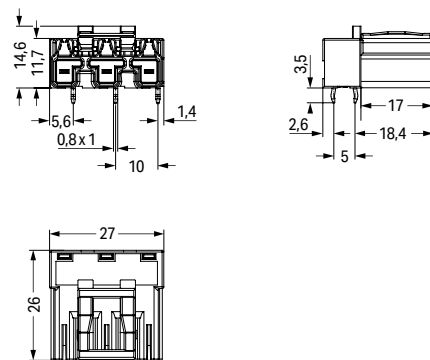
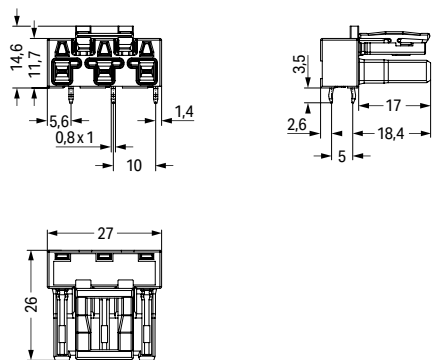
Angled ▶ Female connector/socket

Angled ▶ Male connector/plug

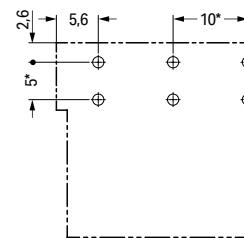


Color	Coding	Marking	Item No.	PU
● black	A	L ⊕ N	770-803/011-000	100
○ white	A	L ⊕ N	770-823/011-000	100

Color	Coding	Marking	Item No.	PU
● black	A	L ⊕ N	770-813/011-000	100
○ white	A	L ⊕ N	770-833/011-000	100



* ± 0.05 mm
Drilled hole diameter: 1.5^{+0.1} mm



* ± 0.05 mm
Drilled hole diameter: 1.5^{+0.1} mm

Item-Specific Accessories



Lockout cap; for socket; separable; No. of poles: 12

Color	Item No.	PU
● black	770-201	100
○ white	770-221	100



Lockout cap; for plug; separable; No. of poles: 5

Color	Item No.	PU
● yellow	770-360	100

Distribution Connector ▶ WINSTA® MIDI ▶ 770 Series

No. of poles: 3



- Protected against mismatching and maintenance-free
- Push-in CAGE CLAMP® spring pressure connection technology allows solid conductors to be simply pushed into a unit
- Two-wire connection per pole for loops or bridges
- Additional variable coding is possible

Electrical Data			
Coding	A / P / R		
Ratings per	IEC/EN 60664-1		
Overvoltage category	III	III	II
Pollution degree	3	2	2
Rated voltage	250 V	-	-
Rated impulse voltage	4 kV	-	-
Rated current	25 A	-	-
Approvals per	UL 1977		
Rated voltage	600 V		
Rated current	23 A		

Material Data	
Insulating material	Polyamide 66 (PA 66)
Flammability class per UL94	V0
Contact material	Copper or copper alloy, surface-treated

Mechanical Data	
Mating force of a plug-in connection	Approx. 20 ... 70 N (depending on pole number)
Unmating force of a plug-in connection	When unlocked: approx. 20 ... 70 N (depending on pole number)
Retention force of a plug-in connection	When locked: > 80 N
Protection class	IP20
Note on protection class	Only in mated condition (These compact connectors are not designed for use in open, easily accessible areas.)
Mismatching protection	All WINSTA® components are 100 % protected against mismatching in terms of: <ul style="list-style-type: none"> • Plugging a different number of poles • Plugging when rotated by 180° • Plugging when laterally staggered • Plugging one pole

Environmental Requirements	
Processing temperature	-5 ... +40 °C
Continuous operating temperature	-35 ... +85 °C
Note on continuous service temperature	Insulating parts for temperatures ≤ 105 °C

All connectors for mounted installations (snap-in versions for lighting fixtures or devices, all types of PCB and distribution connectors) are factory-equipped with locking levers to ensure plugs and sockets are securely locked. Additional locking levers are only required for flying leads (plug/socket).

Application note for the U.S. market (USR): Some versions may also be used for current interruption in accordance with the UL certificate in select applications with currents below 16 A and voltages up to 600 V. For further information, please contact your local sales office.

Coding Page 486

Additional information, see "Technical Section"

Approvals and corresponding ratings, visit www.wago.com

Distribution Connector ▶ WINSTA® MIDI ▶ 770 Series

No. of poles: 3

Intermediate coupler

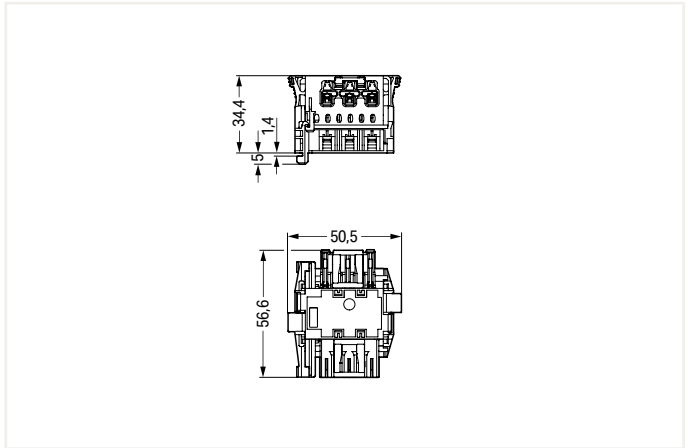
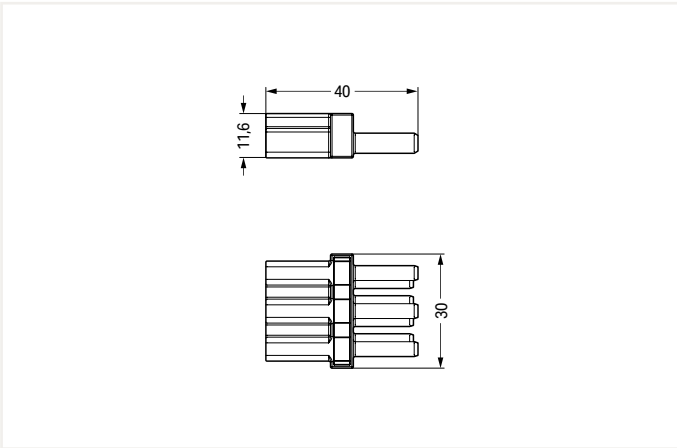
Linect® T-connector



Color	Coding	Aufdruck	Item No.	PU
● black	A		770-603	100
○ white	A		770-653	100

Color	Coding	Marking	Item No.	PU
○ white	A	L ⊕ N	770-6223	25

3



Accessories; for all products on this page



Lockout cap; for socket; separable; No. of poles: 12		
Color	Item No.	PU
● black	770-201	100
○ white	770-221	100

Lockout cap; for plug; separable; No. of poles: 5		
Color	Item No.	PU
● yellow	770-360	100

PU = Packaging Unit; SPU = Subpackaging Unit; Dimensions in mm

Distribution Connector ▶ WINSTA® MIDI ▶ 770 Series

No. of poles: 3

T-distribution connector ▶ Number of locking levers: 2

T-distribution connector ▶ Number of locking levers: 3

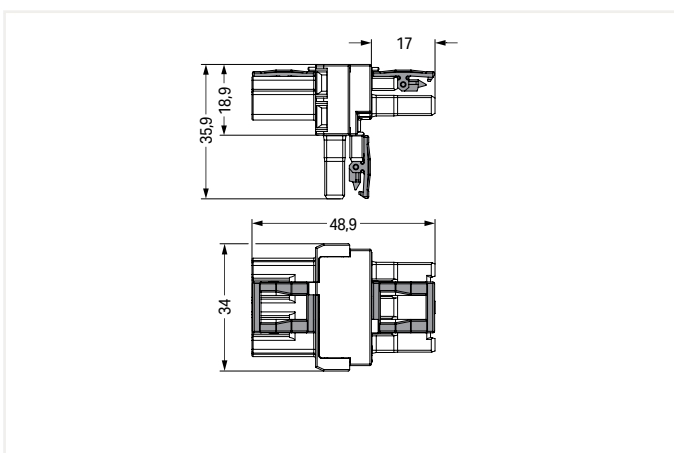
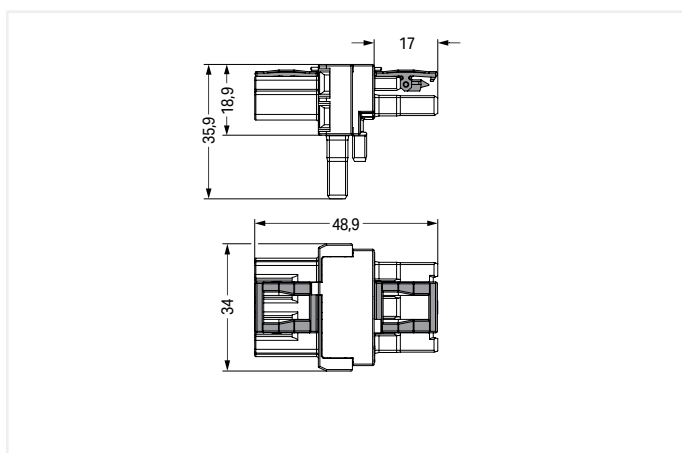


Fig. similar

3

Color	Coding	Marking	Item No.	PU
● black	A	L ⊕ N	770-606	50
○ white	A	L ⊕ N	770-656	50
● orange	R	LON LON S	770-667	50

Color	Coding	Marking	Item No.	PU
● black	A	L ⊕ N	770-615	50
○ white	A	L ⊕ N	770-665	50
● orange	R	LON LON S	770-670	50



Accessories; for all products on this page



Lockout cap; for socket; separable; No. of poles: 12		
Color	Item No.	PU
● black	770-201	100
○ white	770-221	100

Mounting adapter; for T-distribution connector; for 2- to 5-pole		
Item No.	PU	
770-354	50	

Lockout cap; for plug; separable; No. of poles: 5		
Color	Item No.	PU
● yellow	770-360	100

PU = Packaging Unit; SPU = Subpackaging Unit; Dimensions in mm

Distribution Connector ▶ WINSTA® MIDI ▶ 770 Series

No. of poles: 3

h-distribution connector, bi-directional ▶ Number of locking levers: 2

h-distribution connector, bi-directional ▶ Number of locking levers: 3 ▶ for flying leads

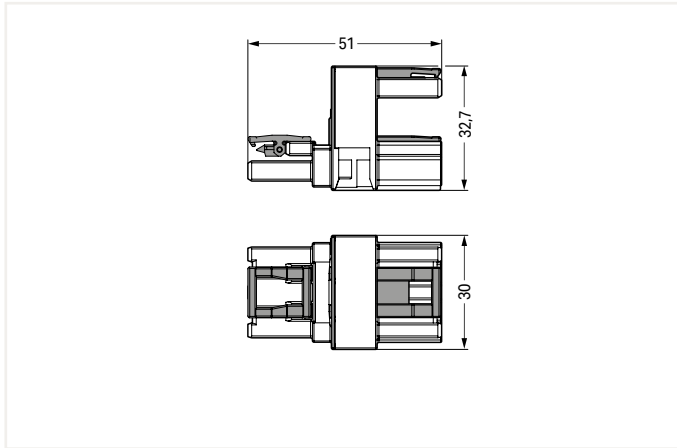
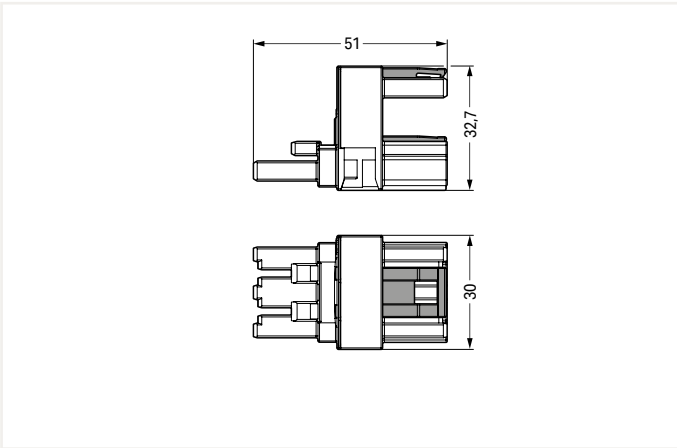


Fig. similar

Color	Coding	Marking	Item No.	PU
● black	A	L ⊕ N	770-633	50
○ white	A	L ⊕ N	770-683	50

Color	Coding	Marking	Item No.	PU
● black	A	L ⊕ N	770-635	50
○ white	A	L ⊕ N	770-685	50

3



Accessories; for all products on this page



Lockout cap; for socket; separable; No. of poles: 12

Color	Item No.	PU
● black	770-201	100
○ white	770-221	100

Lockout cap; for plug; separable; No. of poles: 5

Color	Item No.	PU
● yellow	770-360	100

Mounting plate; for distribution connector; No. of poles: 3

Color	Item No.	PU
● black	770-623	25
○ white	770-673	25

PU = Packaging Unit; SPU = Subpackaging Unit; Dimensions in mm

Distribution Connector ▶ WINSTA® MIDI ▶ 770 Series

No. of poles: 3

h-distribution connector, unidirectional ▶ Number of locking levers: 2

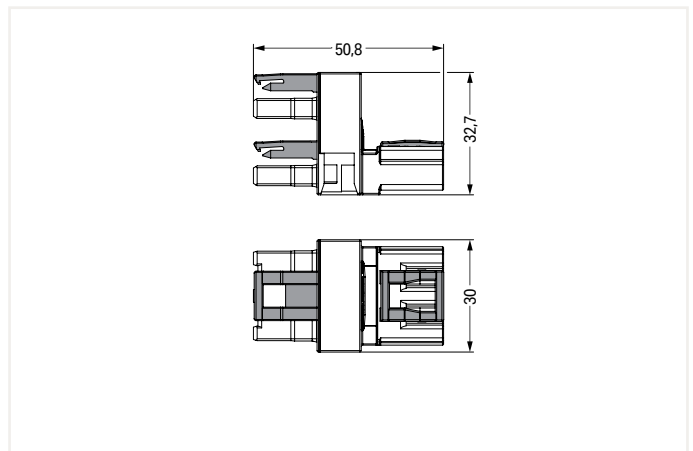
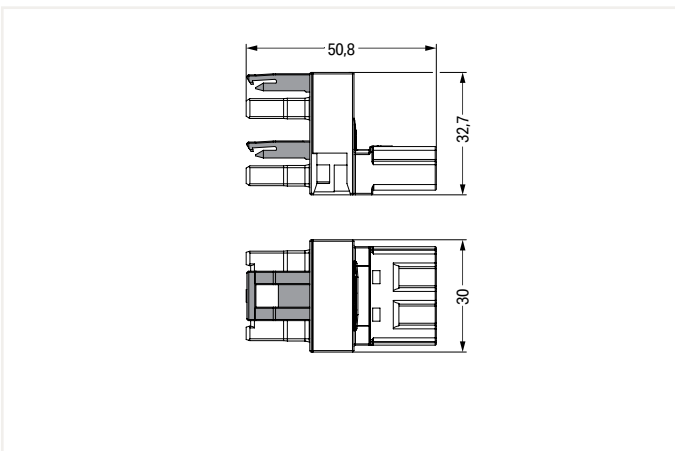
h-distribution connector, unidirectional ▶ Number of locking levers: 3 ▶ for flying leads



Fig. similar

Color	Coding	Marking	Item No.	PU
● black	A	L ⊕ N	770-634	50
○ white	A	L ⊕ N	770-684	50
● red	P	L ⊕ N	770-934	50

Color	Coding	Marking	Item No.	PU
● black	A	L ⊕ N	770-636	50
○ white	A	L ⊕ N	770-686	50
● red	P	L ⊕ N	770-936	50



Accessories; for all products on this page



Lockout cap; for socket; separable; No. of poles: 12		
Color	Item No.	PU
● black	770-201	100
○ white	770-221	100

Lockout cap; for plug; separable; No. of poles: 5		
Color	Item No.	PU
● yellow	770-360	100

Mounting plate; for distribution connector; No. of poles: 3		
Color	Item No.	PU
● black	770-623	25
○ white	770-673	25

PU = Packaging Unit; SPU = Subpackaging Unit; Dimensions in mm

Distribution Connector ▶ WINSTA® MIDI ▶ 770 Series

No. of poles: 3

Distribution connector, 3-way



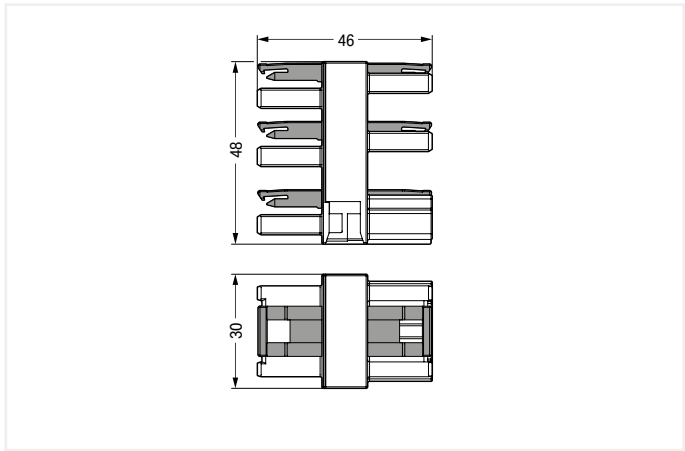
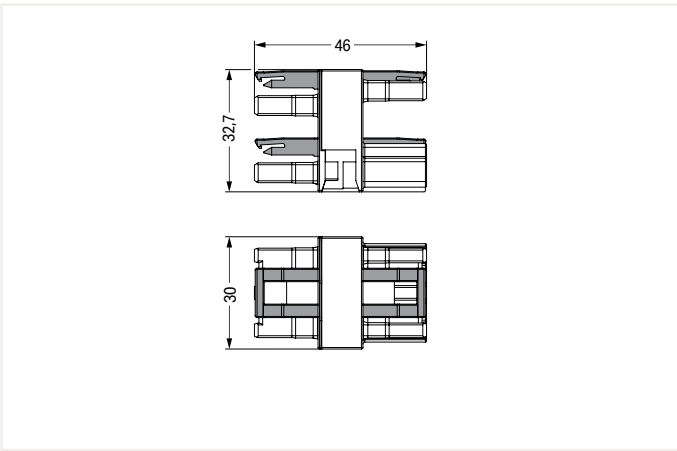
Distribution connector, 5-way



Color	Coding	Marking	Item No.	PU
● black	A	L ⊕ N	770-607	50
○ white	A	L ⊕ N	770-657	50
● red	P	L ⊕ N	770-907	50

Color	Coding	Marking	Item No.	PU
● black	A	L ⊕ N	770-608	25
○ white	A	L ⊕ N	770-658	25

3



Accessories; for all products on this page



Lockout cap; for socket; separable; No. of poles: 12		
Color	Item No.	PU
● black	770-201	100
○ white	770-221	100



Lockout cap; for plug; separable; No. of poles: 5		
Color	Item No.	PU
● yellow	770-360	100



Mounting plate; for distribution connector; No. of poles: 3		
Color	Item No.	PU
● black	770-623	25
○ white	770-673	25

PU = Packaging Unit; SPU = Subpackaging Unit; Dimensions in mm

Distribution Connector ▶ WINSTA® MIDI ▶ 770 Series

No. of poles: 3

for single-pole switch and series circuits

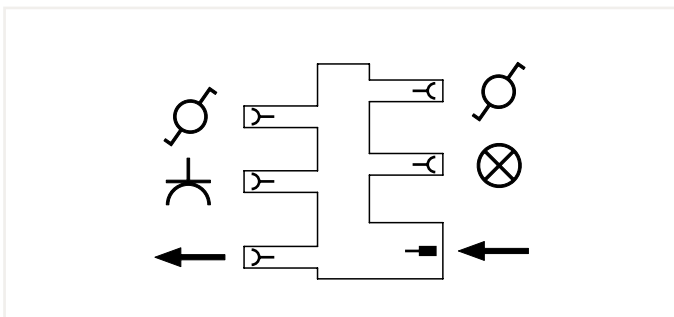
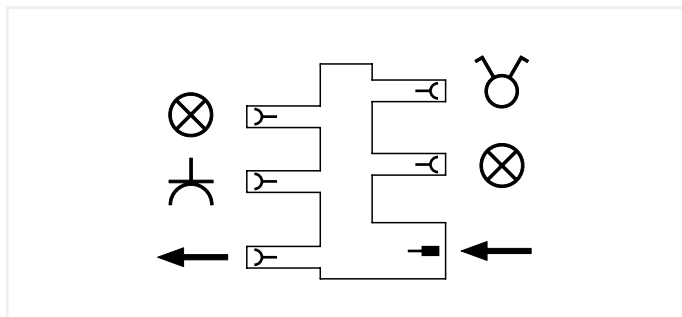
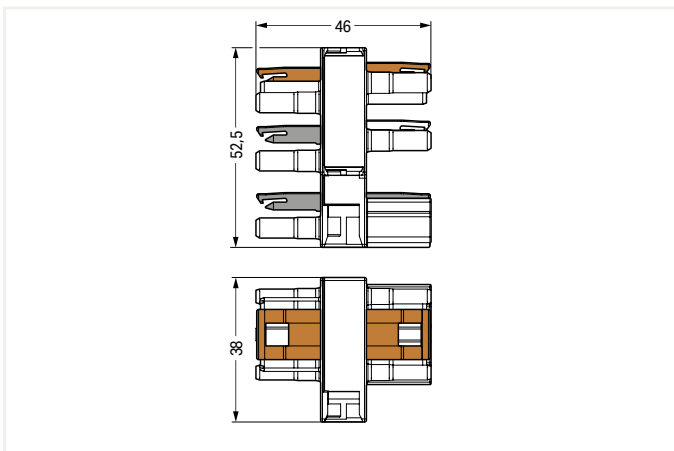
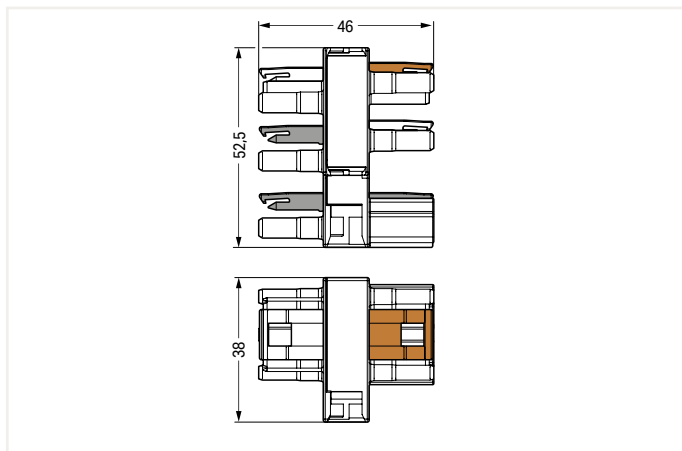
for single-pole switch and two-way circuits



3

Color	Coding	Aufdruck	Item No.	PU
● black	A		770-637	10
○ white	A		770-687	10

Color	Coding	Aufdruck	Item No.	PU
● black	A		770-638	10
○ white	A		770-688	10



Accessories; for all products on this page



Lockout cap; for socket; separable; No. of poles: 12

Color	Item No.	PU
● black	770-201	100
○ white	770-221	100

Lockout cap; for plug; separable; No. of poles: 5

Color	Item No.	PU
● yellow	770-360	100

Mounting plate; for distribution connector; No. of poles: 3

Color	Item No.	PU
● black	770-623	25
○ white	770-673	25

PU = Packaging Unit; SPU = Subpackaging Unit; Dimensions in mm

Cable Assembly ▶ WINSTA® MIDI ▶ 771 Series

No. of poles: 3 ▶ Protection class: IP20



- Protected against mismating and maintenance-free
- Push-in CAGE CLAMP® spring pressure connection technology allows solid conductors to be simply pushed into a unit
- Two-wire connection per pole for loops or bridges
- Additional variable coding is possible

3

Electrical Data						
Coding	A / P / S			A / P		
Cross section of single conductor	1.5 mm ²			2.5 mm ²		
Ratings per	IEC/EN 60664-1			IEC/EN 60664-1		
Overtension category	III	III	II	III	III	II
Pollution degree	3	2	2	3	2	2
Rated voltage	250 V	-	-	250 V	-	-
Rated impulse voltage	4 kV	-	-	4 kV	-	-
Rated current	16 A	-	-	20 A	-	-
Approvals per	UL 1977			UL 1977		
Rated voltage	600 V			600 V		
Rated current	23 A			23 A		

Material Data	
Insulating material	Polyamide 66 (PA 66)
Flammability class per UL94	V0
Contact material	Copper or copper alloy, surface-treated
Reaction to fire class per EN 50575	E _{ca}

Mechanical Data	
Mating force of a plug-in connection	approx. 20 ... 70 N (depending on pole number)
Unmating force of a plug-in connection	when unlocked: approx. 20 ... 70 N (depending on pole number)
Retention force of a plug-in connection	when locked: > 80N
Protection class	IP20
Note on protection class	Only in mated condition with strain relief housing (These compact connectors are not designed for use in open, easily accessible areas.)
Mismating protection	All WINSTA® components are 100 % protected against mismating in terms of: <ul style="list-style-type: none"> • Plugging a different number of poles • Plugging when rotated by 180° • Plugging when laterally staggered • Plugging one pole

Environmental Requirements	
Processing temperature	-5 ... +40 °C
Continuous operating temperature	-35 ... +85 °C
Note on continuous service temperature	PVC cable for temperatures ≤ 70 °C (including halogen-free) Insulating parts for temperatures ≤ 105 °C

Cables with different fire load are available in the eShop

Application note for the U.S. market (USR): Some versions may also be used for current interruption in accordance with the UL certificate in select applications with currents below 16 A and voltages up to 600 V. For further information, please contact your local sales office.

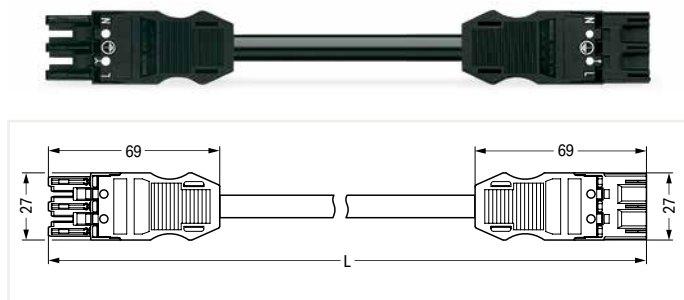
Marking Page 511

Additional information, see "Technical Section"

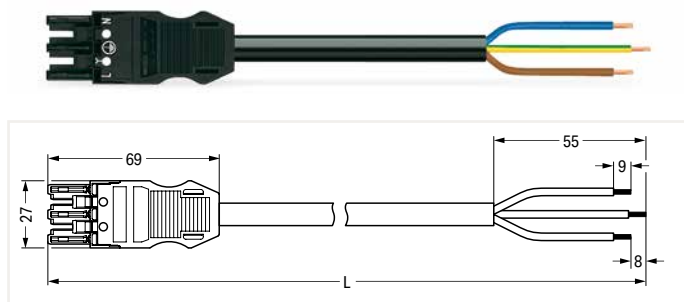
Approvals and corresponding ratings, visit www.wago.com

Cable Assembly ▶ WINSTA® MIDI ▶ 771 Series

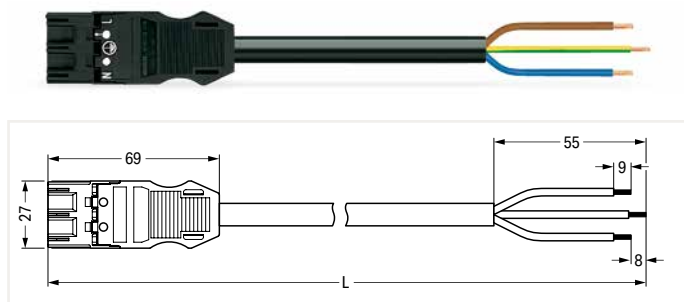
No. of poles: 3 ▶ Protection class: IP20 ▶ 1.5 mm² ▶ Coding: A ▶ Marking: L ⊕ N ▶ PVC ▶ Cable diameter: 7.4 ... 9.4 mm ▶ H05VV-F 3G1.5



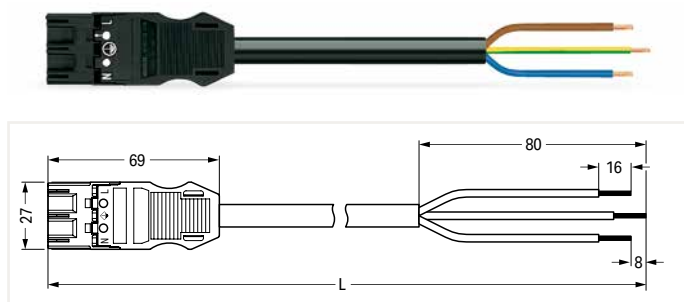
Total length	Connector color/Strain relief color		PU
	black/black	white/white	
1 m	771-9993/006-101	771-9993/006-102	1
2 m	771-9993/006-201	771-9993/006-202	1
3 m	771-9993/006-301	771-9993/006-302	1
4 m	771-9993/006-401	771-9993/006-402	1
5 m	771-9993/006-501	771-9993/006-502	1
6 m	771-9993/006-601	771-9993/006-602	1
7 m	771-9993/006-701	771-9993/006-702	1
8 m	771-9993/006-801	771-9993/006-802	1



Total length	Connector color/Strain relief color		PU
	black/black	white/white	
1 m	771-9993/106-101	771-9993/106-102	1
2 m	771-9993/106-201	771-9993/106-202	1
3 m	771-9993/106-301	771-9993/106-302	1
4 m	771-9993/106-401	771-9993/106-402	1
5 m	771-9993/106-501	771-9993/106-502	1
6 m	771-9993/106-601	771-9993/106-602	1
7 m	771-9993/106-701	771-9993/106-702	1
8 m	771-9993/106-801	771-9993/106-802	1



Total length	Connector color/Strain relief color		PU
	black/black	white/white	
1 m	771-9993/206-101	771-9993/206-102	1
2 m	771-9993/206-201	771-9993/206-202	1
3 m	771-9993/206-301	771-9993/206-302	1
4 m	771-9993/206-401	771-9993/206-402	1
5 m	771-9993/206-501	771-9993/206-502	1
6 m	771-9993/206-601	771-9993/206-602	1
7 m	771-9993/206-701	771-9993/206-702	1
8 m	771-9993/206-801	771-9993/206-802	1



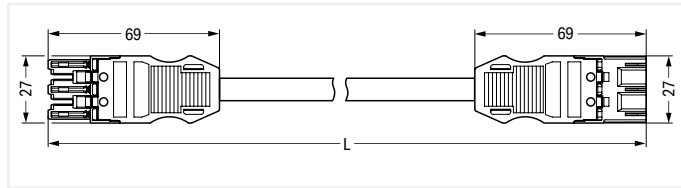
Total length	Connector color/Strain relief color		PU
	black/black		
1 m	771-9993/3206-101		1
2 m	771-9993/3206-201		1
3 m	771-9993/3206-301		1
4 m	771-9993/3206-401		1
5 m	771-9993/3206-501		1
6 m	771-9993/3206-601		1
7 m	771-9993/3206-701		1
8 m	771-9993/3206-801		1

3

PU = Packaging Unit; SPU = Subpackaging Unit; Dimensions in mm

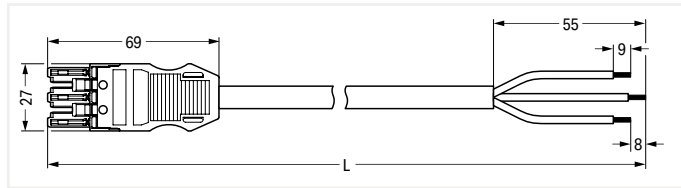
Cable Assembly ▶ WINSTA® MIDI ▶ 771 Series

No. of poles: 3 ▶ Protection class: IP20 ▶ 1.5 mm² ▶ Coding: A ▶ Marking: L ⊕ N ▶ Halogen-free ▶ Cable diameter: 7.4 ... 9.4 mm ▶ H05Z1Z1-F 3G1.5

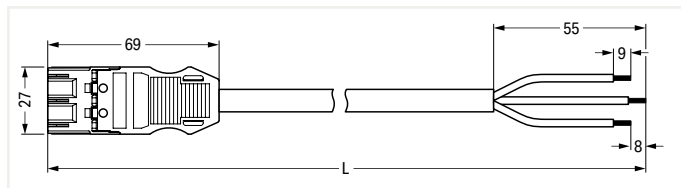


Total length	Connector color/Strain relief color		PU
	black/black	white/white	
1 m	771-9993/016-101	771-9993/016-102	1
2 m	771-9993/016-201	771-9993/016-202	1
3 m	771-9993/016-301	771-9993/016-302	1
4 m	771-9993/016-401	771-9993/016-402	1
5 m	771-9993/016-501	771-9993/016-502	1
6 m	771-9993/016-601	771-9993/016-602	1
7 m	771-9993/016-701	771-9993/016-702	1
8 m	771-9993/016-801	771-9993/016-802	1

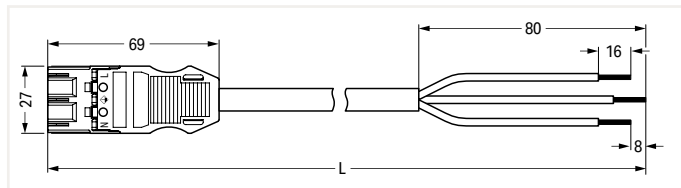
3



Total length	Connector color/Strain relief color		PU
	black/black	white/white	
1 m	771-9993/116-101	771-9993/116-102	1
2 m	771-9993/116-201	771-9993/116-202	1
3 m	771-9993/116-301	771-9993/116-302	1
4 m	771-9993/116-401	771-9993/116-402	1
5 m	771-9993/116-501	771-9993/116-502	1
6 m	771-9993/116-601	771-9993/116-602	1
7 m	771-9993/116-701	771-9993/116-702	1
8 m	771-9993/116-801	771-9993/116-802	1



Total length	Connector color/Strain relief color		PU
	black/black	white/white	
1 m	771-9993/216-101	771-9993/216-102	1
2 m	771-9993/216-201	771-9993/216-202	1
3 m	771-9993/216-301	771-9993/216-302	1
4 m	771-9993/216-401	771-9993/216-402	1
5 m	771-9993/216-501	771-9993/216-502	1
6 m	771-9993/216-601	771-9993/216-602	1
7 m	771-9993/216-701	771-9993/216-702	1
8 m	771-9993/216-801	771-9993/216-802	1

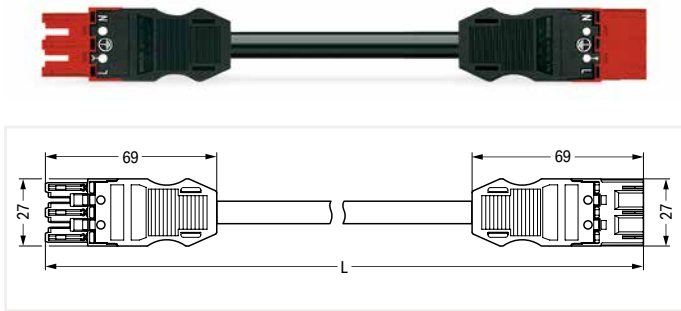


Total length	Connector color/Strain relief color		PU
	black/black		
1 m	771-9993/3216-101		1
2 m	771-9993/3216-201		1
3 m	771-9993/3216-301		1
4 m	771-9993/3216-401		1
5 m	771-9993/3216-501		1
6 m	771-9993/3216-601		1
7 m	771-9993/3216-701		1
8 m	771-9993/3216-801		1

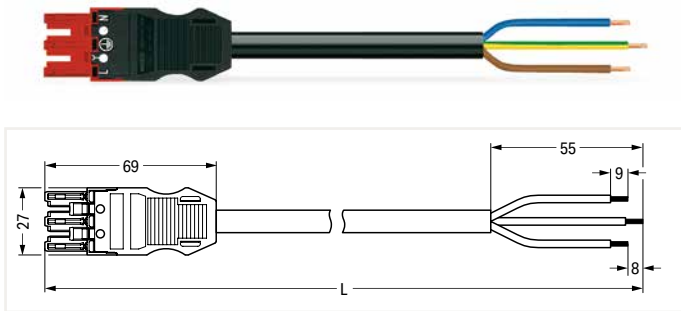
PU = Packaging Unit; SPU = Subpackaging Unit; Dimensions in mm

Cable Assembly ▶ WINSTA® MIDI ▶ 771 Series

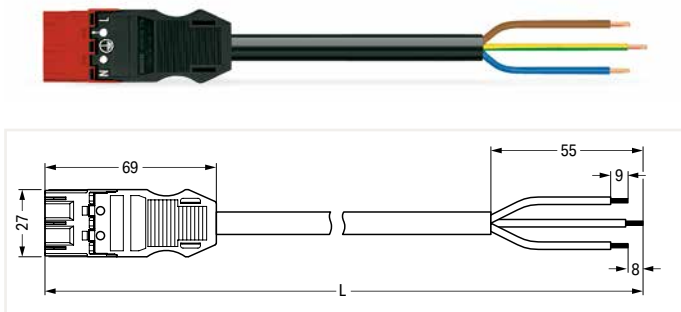
No. of poles: 3 ▶ Protection class: IP20 ▶ 1.5 mm² ▶ Coding: P ▶ Marking: L ⊕ N ▶ PVC ▶ Cable diameter: 7.4 ... 9.4 mm ▶ H05VV-F 3G1.5



Total length	Connector color/Strain relief color		PU
	red/black	red/white	
1 m	771-9973/006-101	771-9973/006-102	1
2 m	771-9973/006-201	771-9973/006-202	1
3 m	771-9973/006-301	771-9973/006-302	1
4 m	771-9973/006-401	771-9973/006-402	1
5 m	771-9973/006-501	771-9973/006-502	1
6 m	771-9973/006-601	771-9973/006-602	1
7 m	771-9973/006-701	771-9973/006-702	1
8 m	771-9973/006-801	771-9973/006-802	1



Total length	Connector color/Strain relief color		PU
	red/black	red/white	
1 m	771-9973/106-101	771-9973/106-102	1
2 m	771-9973/106-201	771-9973/106-202	1
3 m	771-9973/106-301	771-9973/106-302	1
4 m	771-9973/106-401	771-9973/106-402	1
5 m	771-9973/106-501	771-9973/106-502	1
6 m	771-9973/106-601	771-9973/106-602	1
7 m	771-9973/106-701	771-9973/106-702	1
8 m	771-9973/106-801	771-9973/106-802	1



Total length	Connector color/Strain relief color		PU
	red/black	red/white	
1 m	771-9973/206-101	771-9973/206-102	1
2 m	771-9973/206-201	771-9973/206-202	1
3 m	771-9973/206-301	771-9973/206-302	1
4 m	771-9973/206-401	771-9973/206-402	1
5 m	771-9973/206-501	771-9973/206-502	1
6 m	771-9973/206-601	771-9973/206-602	1
7 m	771-9973/206-701	771-9973/206-702	1
8 m	771-9973/206-801	771-9973/206-802	1

3

Accessories; for all products on this page



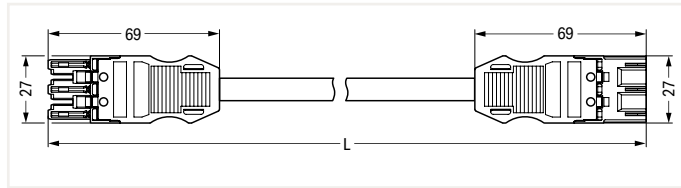
Locking lever, for flying leads; manually operated		
Color	Item No.	PU (SPU)
● black	770-101	100 (25)
○ white	770-121	100 (25)

Locking lever, for flying leads; tool operated		
Color	Item No.	PU (SPU)
● black	770-111	100 (25)
○ white	770-131	100 (25)

PU = Packaging Unit; SPU = Subpackaging Unit; Dimensions in mm

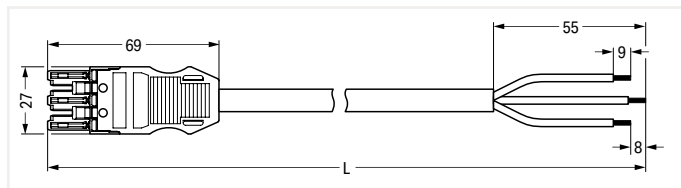
Cable Assembly ▶ WINSTA® MIDI ▶ 771 Series

No. of poles: 3 ▶ Protection class: IP20 ▶ 1.5 mm² ▶ Coding: P ▶ Marking: L ⊕ N ▶ Halogen-free ▶ Cable diameter: 7.4 ... 9.4 mm ▶ H05Z1Z1-F 3G1.5

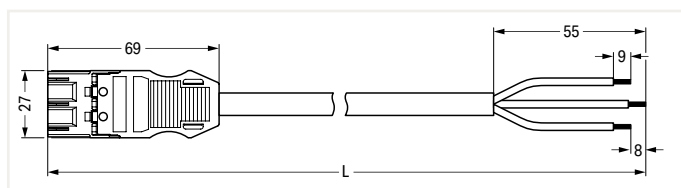


Total length	Connector color/Strain relief color		PU
	red/black	red/white	
1 m	771-9973/016-101	771-9973/016-102	1
2 m	771-9973/016-201	771-9973/016-202	1
3 m	771-9973/016-301	771-9973/016-302	1
4 m	771-9973/016-401	771-9973/016-402	1
5 m	771-9973/016-501	771-9973/016-502	1
6 m	771-9973/016-601	771-9973/016-602	1
7 m	771-9973/016-701	771-9973/016-702	1
8 m	771-9973/016-801	771-9973/016-802	1

3



Total length	Connector color/Strain relief color		PU
	red/black	red/white	
1 m	771-9973/116-101	771-9973/116-102	1
2 m	771-9973/116-201	771-9973/116-202	1
3 m	771-9973/116-301	771-9973/116-302	1
4 m	771-9973/116-401	771-9973/116-402	1
5 m	771-9973/116-501	771-9973/116-502	1
6 m	771-9973/116-601	771-9973/116-602	1
7 m	771-9973/116-701	771-9973/116-702	1
8 m	771-9973/116-801	771-9973/116-802	1



Total length	Connector color/Strain relief color		PU
	red/black	red/white	
1 m	771-9973/216-101	771-9973/216-102	1
2 m	771-9973/216-201	771-9973/216-202	1
3 m	771-9973/216-301	771-9973/216-302	1
4 m	771-9973/216-401	771-9973/216-402	1
5 m	771-9973/216-501	771-9973/216-502	1
6 m	771-9973/216-601	771-9973/216-602	1
7 m	771-9973/216-701	771-9973/216-702	1
8 m	771-9973/216-801	771-9973/216-802	1

Accessories; for all products on this page



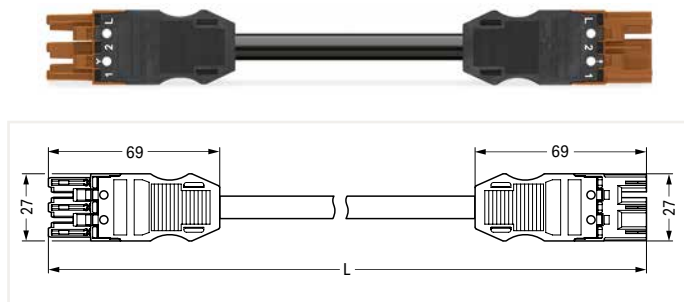
Locking lever, for flying leads; manually operated		
Color	Item No.	PU (SPU)
● black	770-101	100 (25)
○ white	770-121	100 (25)

Locking lever, for flying leads; tool operated		
Color	Item No.	PU (SPU)
● black	770-111	100 (25)
○ white	770-131	100 (25)

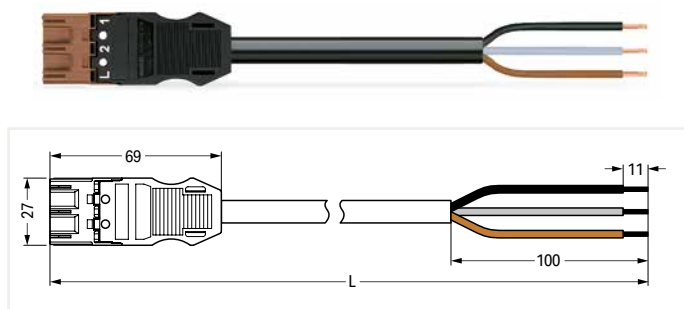
PU = Packaging Unit; SPU = Subpackaging Unit; Dimensions in mm

Cable Assembly ▶ WINSTA® MIDI ▶ 771 Series

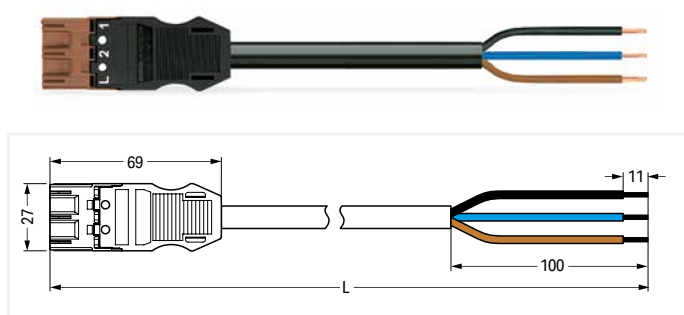
No. of poles: 3 ▶ Protection class: IP20 ▶ 1.5 mm² ▶ Coding: S ▶ Marking: 1 2 L ▶ PVC ▶ Cable diameter: 7.4 ... 9.4 mm ▶ H05VV-F 3x1.5



Interconnecting cable ▶ Socket - Plug			
Total length	Connector color/Strain relief color		PU
	brown/black		
1 m	771-9973/006-105		1
2 m	771-9973/006-205		1
3 m	771-9973/006-305		1
4 m	771-9973/006-405		1
5 m	771-9973/006-505		1
6 m	771-9973/006-605		1
7 m	771-9973/006-705		1
8 m	771-9973/006-805		1



Connecting cable ▶ Plug - Free end ▶ Strip length: 100 mm ▶ for distribution connector; series and two-way circuits			
Total length	Connector color/Strain relief color		PU
	brown/black		
1 m	771-9973/206-105		1
2 m	771-9973/206-205		1
3 m	771-9973/206-305		1
4 m	771-9973/206-405		1
5 m	771-9973/206-505		1
6 m	771-9973/206-605		1
7 m	771-9973/206-705		1
8 m	771-9973/206-805		1



Connecting cable ▶ Plug - Free end ▶ Strip length: 100 mm ▶ for distribution connector; motion sensor			
Total length	Connector color/Strain relief color		PU
	brown/black		
1 m	771-9973/206-104		1
2 m	771-9973/206-204		1
3 m	771-9973/206-304		1
4 m	771-9973/206-404		1
5 m	771-9973/206-504		1
6 m	771-9973/206-604		1
7 m	771-9973/206-704		1
8 m	771-9973/206-804		1

3

Accessories; for all products on this page



Locking lever, for flying leads; manually operated		
Color	Item No.	PU (SPU)
● black	770-101	100 (25)
○ white	770-121	100 (25)



Locking lever, for flying leads; tool operated		
Color	Item No.	PU (SPU)
● black	770-111	100 (25)
○ white	770-131	100 (25)

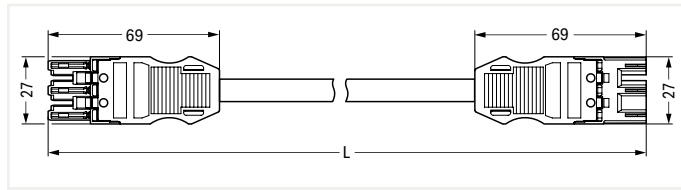


Lockout cap; for plug; separable; No. of poles: 5		
Color	Item No.	PU
● yellow	770-360	100

PU = Packaging Unit; SPU = Subpackaging Unit; Dimensions in mm

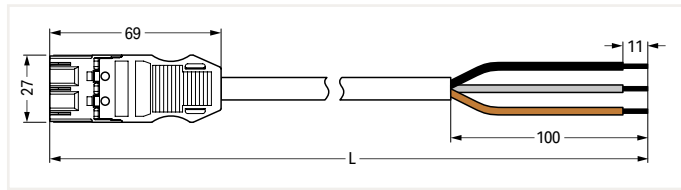
Cable Assembly ▶ WINSTA® MIDI ▶ 771 Series

No. of poles: 3 ▶ Protection class: IP20 ▶ 1.5 mm² ▶ Coding: S ▶ Marking: 1 2 L ▶ Halogen-free ▶ Cable diameter: 7.4 ... 9.4 mm ▶ H05Z1Z1-F 3x1.5

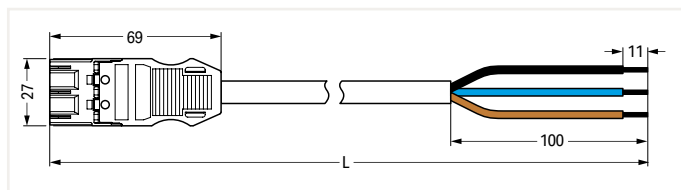


Interconnecting cable ▶ Socket - Plug			
Total length	Connector color/Strain relief color		PU
	1 2 L	1 2 L	
1 m	brown/black		1
2 m	771-9973/016-105		1
3 m	771-9973/016-205		1
4 m	771-9973/016-305		1
5 m	771-9973/016-405		1
6 m	771-9973/016-505		1
7 m	771-9973/016-605		1
8 m	771-9973/016-705		1
	771-9973/016-805		1

3



Connecting cable ▶ Plug - Free end ▶ Strip length: 100 mm ▶ for distribution connector; series and two-way circuits			
Total length	Connector color/Strain relief color		PU
	1 2 L	1 2 L	
1 m	brown/black		1
2 m	771-9973/216-105		1
3 m	771-9973/216-205		1
4 m	771-9973/216-305		1
5 m	771-9973/216-405		1
6 m	771-9973/216-505		1
7 m	771-9973/216-605		1
8 m	771-9973/216-705		1
	771-9973/216-805		1



Connecting cable ▶ Plug - Free end ▶ Strip length: 100 mm ▶ for distribution connector; motion sensor			
Total length	Connector color/Strain relief color		PU
	1 2 L	1 2 L	
1 m	brown/black		1
2 m	771-9973/216-104		1
3 m	771-9973/216-204		1
4 m	771-9973/216-304		1
5 m	771-9973/216-404		1
6 m	771-9973/216-504		1
7 m	771-9973/216-604		1
8 m	771-9973/216-704		1
	771-9973/216-804		1

Accessories; for all products on this page



Locking lever, for flying leads; manually operated		
Color	Item No.	PU (SPU)
● black	770-101	100 (25)
○ white	770-121	100 (25)

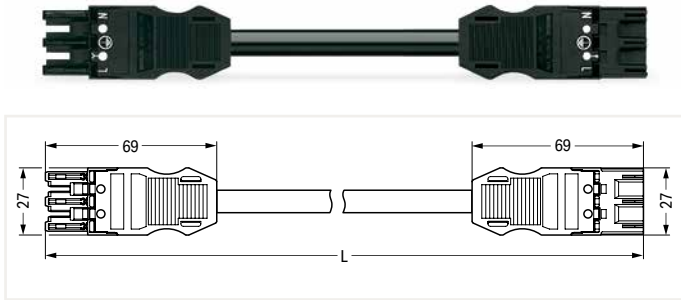
Locking lever, for flying leads; tool operated		
Color	Item No.	PU (SPU)
● black	770-111	100 (25)
○ white	770-131	100 (25)

Lockout cap; for plug; separable; No. of poles: 5		
Color	Item No.	PU
● yellow	770-360	100

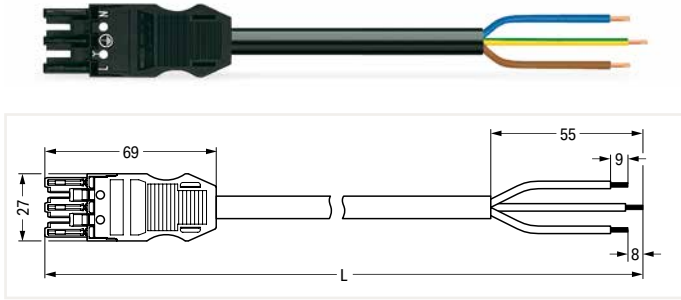
PU = Packaging Unit; SPU = Subpackaging Unit; Dimensions in mm

Cable Assembly ▶ WINSTA® MIDI ▶ 771 Series

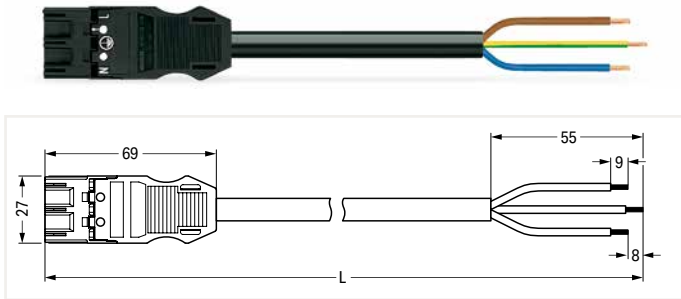
No. of poles: 3 ▶ Protection class: IP20 ▶ 2.5 mm² ▶ Coding: A ▶ Marking: L ⊕ N ▶ PVC ▶ Cable diameter: 9.2 ... 11.4 mm ▶ H05VV-F 3G2.5



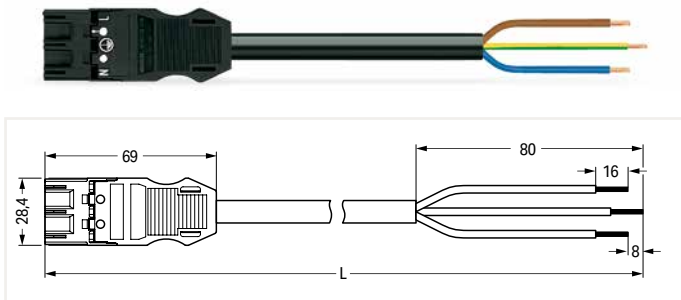
Interconnecting cable ▶ Socket - Plug			
Total length	Connector color/Strain relief color		PU
	black/black	white/white	
1 m	771-9993/007-101	771-9993/007-102	1
2 m	771-9993/007-201	771-9993/007-202	1
3 m	771-9993/007-301	771-9993/007-302	1
4 m	771-9993/007-401	771-9993/007-402	1
5 m	771-9993/007-501	771-9993/007-502	1
6 m	771-9993/007-601	771-9993/007-602	1
7 m	771-9993/007-701	771-9993/007-702	1
8 m	771-9993/007-801	771-9993/007-802	1



Connecting cable ▶ Socket - Free end ▶ Strip length: 55 mm			
Total length	Connector color/Strain relief color		PU
	black/black	white/white	
1 m	771-9993/107-101	771-9993/107-102	1
2 m	771-9993/107-201	771-9993/107-202	1
3 m	771-9993/107-301	771-9993/107-302	1
4 m	771-9993/107-401	771-9993/107-402	1
5 m	771-9993/107-501	771-9993/107-502	1
6 m	771-9993/107-601	771-9993/107-602	1
7 m	771-9993/107-701	771-9993/107-702	1
8 m	771-9993/107-801	771-9993/107-802	1



Connecting cable ▶ Plug - Free end ▶ Strip length: 55 mm			
Total length	Connector color/Strain relief color		PU
	black/black	white/white	
1 m	771-9993/207-101	771-9993/207-102	1
2 m	771-9993/207-201	771-9993/207-202	1
3 m	771-9993/207-301	771-9993/207-302	1
4 m	771-9993/207-401	771-9993/207-402	1
5 m	771-9993/207-501	771-9993/207-502	1
6 m	771-9993/207-601	771-9993/207-602	1
7 m	771-9993/207-701	771-9993/207-702	1
8 m	771-9993/207-801	771-9993/207-802	1



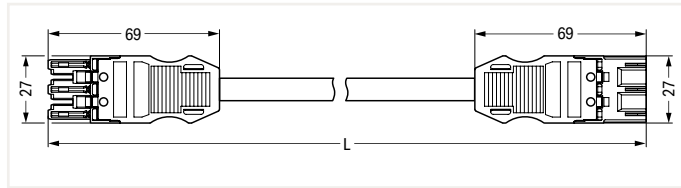
Connecting cable ▶ Plug - Free end ▶ Strip length: 80 mm ▶ for switches and outlets installation			
Total length	Connector color/Strain relief color		PU
	black/black		
1 m	771-9993/3207-101		1
2 m	771-9993/3207-201		1
3 m	771-9993/3207-301		1
4 m	771-9993/3207-401		1
5 m	771-9993/3207-501		1
6 m	771-9993/3207-601		1
7 m	771-9993/3207-701		1
8 m	771-9993/3207-801		1

3

PU = Packaging Unit; SPU = Subpackaging Unit; Dimensions in mm

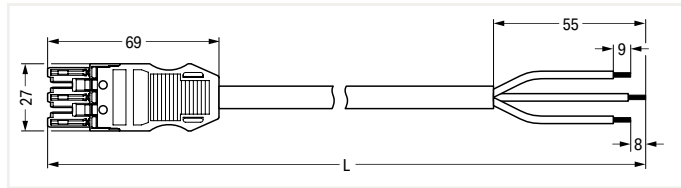
Cable Assembly ▶ WINSTA® MIDI ▶ 771 Series

No. of poles: 3 ▶ Protection class: IP20 ▶ 2.5 mm² ▶ Coding: A ▶ Marking: L ⊕ N ▶ Halogen-free ▶ Cable diameter: 9.2 ... 11.4 mm ▶ H05Z1Z1-F 3G2.5

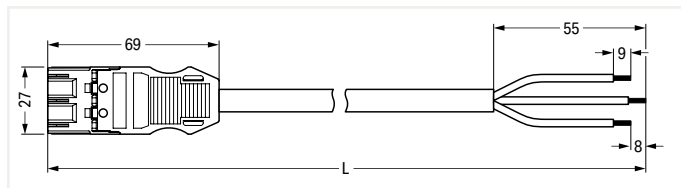


Total length	Connector color/Strain relief color		PU
	black/black	white/white	
1 m	771-9993/017-101	771-9993/017-102	1
2 m	771-9993/017-201	771-9993/017-202	1
3 m	771-9993/017-301	771-9993/017-302	1
4 m	771-9993/017-401	771-9993/017-402	1
5 m	771-9993/017-501	771-9993/017-502	1
6 m	771-9993/017-601	771-9993/017-602	1
7 m	771-9993/017-701	771-9993/017-702	1
8 m	771-9993/017-801	771-9993/017-802	1

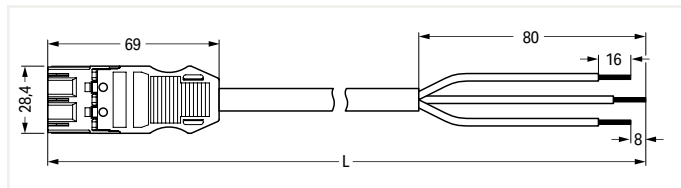
3



Total length	Connector color/Strain relief color		PU
	black/black	white/white	
1 m	771-9993/117-101	771-9993/117-102	1
2 m	771-9993/117-201	771-9993/117-202	1
3 m	771-9993/117-301	771-9993/117-302	1
4 m	771-9993/117-401	771-9993/117-402	1
5 m	771-9993/117-501	771-9993/117-502	1
6 m	771-9993/117-601	771-9993/117-602	1
7 m	771-9993/117-701	771-9993/117-702	1
8 m	771-9993/117-801	771-9993/117-802	1



Total length	Connector color/Strain relief color		PU
	black/black	white/white	
1 m	771-9993/217-101	771-9993/217-102	1
2 m	771-9993/217-201	771-9993/217-202	1
3 m	771-9993/217-301	771-9993/217-302	1
4 m	771-9993/217-401	771-9993/217-402	1
5 m	771-9993/217-501	771-9993/217-502	1
6 m	771-9993/217-601	771-9993/217-602	1
7 m	771-9993/217-701	771-9993/217-702	1
8 m	771-9993/217-801	771-9993/217-802	1

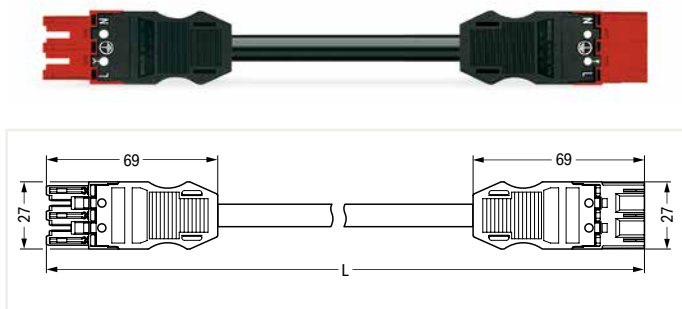


Total length	Connector color/Strain relief color		PU
	black/black		
1 m	771-9993/3217-101		1
2 m	771-9993/3217-201		1
3 m	771-9993/3217-301		1
4 m	771-9993/3217-401		1
5 m	771-9993/3217-501		1
6 m	771-9993/3217-601		1
7 m	771-9993/3217-701		1
8 m	771-9993/3217-801		1

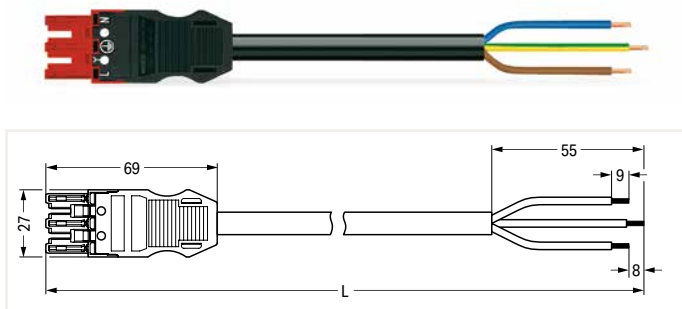
PU = Packaging Unit; SPU = Subpackaging Unit; Dimensions in mm

Cable Assembly ▶ WINSTA® MIDI ▶ 771 Series

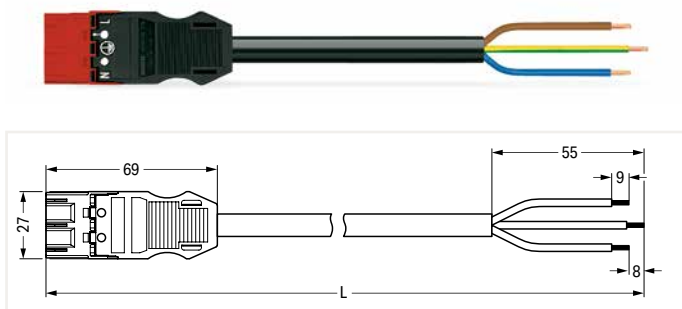
No. of poles: 3 ▶ Protection class: IP20 ▶ 2.5 mm² ▶ Coding: P ▶ Marking: L ⊕ N ▶ PVC ▶ Cable diameter: 9.2 ... 11.4 mm ▶ H05VV-F 3G2.5



Total length	Connector color/Strain relief color		PU
	red/black	red/white	
1 m	771-9973/007-101	771-9973/007-102	1
2 m	771-9973/007-201	771-9973/007-202	1
3 m	771-9973/007-301	771-9973/007-302	1
4 m	771-9973/007-401	771-9973/007-402	1
5 m	771-9973/007-501	771-9973/007-502	1
6 m	771-9973/007-601	771-9973/007-602	1
7 m	771-9973/007-701	771-9973/007-702	1
8 m	771-9973/007-801	771-9973/007-802	1



Total length	Connector color/Strain relief color		PU
	red/black	red/white	
1 m	771-9973/107-101	771-9973/107-102	1
2 m	771-9973/107-201	771-9973/107-202	1
3 m	771-9973/107-301	771-9973/107-302	1
4 m	771-9973/107-401	771-9973/107-402	1
5 m	771-9973/107-501	771-9973/107-502	1
6 m	771-9973/107-601	771-9973/107-602	1
7 m	771-9973/107-701	771-9973/107-702	1
8 m	771-9973/107-801	771-9973/107-802	1



Total length	Connector color/Strain relief color		PU
	red/black	red/white	
1 m	771-9973/207-101	771-9973/207-102	1
2 m	771-9973/207-201	771-9973/207-202	1
3 m	771-9973/207-301	771-9973/207-302	1
4 m	771-9973/207-401	771-9973/207-402	1
5 m	771-9973/207-501	771-9973/207-502	1
6 m	771-9973/207-601	771-9973/207-602	1
7 m	771-9973/207-701	771-9973/207-702	1
8 m	771-9973/207-801	771-9973/207-802	1

3

Accessories; for all products on this page



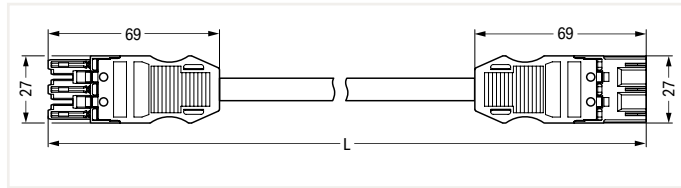
Locking lever, for flying leads; manually operated		
Color	Item No.	PU (SPU)
● black	770-101	100 (25)
○ white	770-121	100 (25)

Locking lever, for flying leads; tool operated		
Color	Item No.	PU (SPU)
● black	770-111	100 (25)
○ white	770-131	100 (25)

PU = Packaging Unit; SPU = Subpackaging Unit; Dimensions in mm

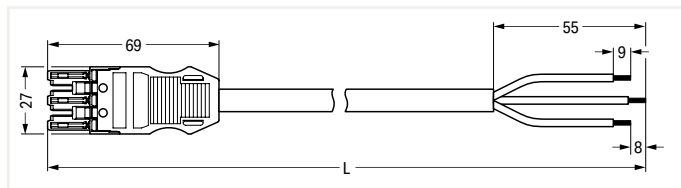
Cable Assembly ▶ WINSTA® MIDI ▶ 771 Series

No. of poles: 3 ▶ Protection class: IP20 ▶ 2.5 mm² ▶ Coding: P ▶ Marking: L ⊕ N ▶ Halogen-free ▶ Cable diameter: 9.2 ... 11.4 mm ▶ H05Z1Z1-F 3G2.5

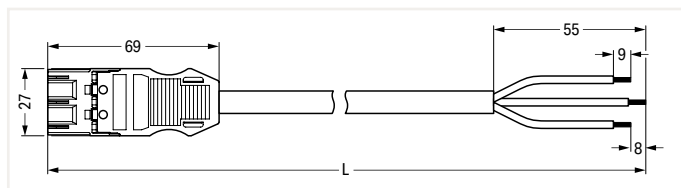


Total length	Connector color/Strain relief color		PU
	red/black	red/white	
1 m	771-9973/017-101	771-9973/017-102	1
2 m	771-9973/017-201	771-9973/017-202	1
3 m	771-9973/017-301	771-9973/017-302	1
4 m	771-9973/017-401	771-9973/017-402	1
5 m	771-9973/017-501	771-9973/017-502	1
6 m	771-9973/017-601	771-9973/017-602	1
7 m	771-9973/017-701	771-9973/017-702	1
8 m	771-9973/017-801	771-9973/017-802	1

3



Total length	Connector color/Strain relief color		PU
	red/black	red/white	
1 m	771-9973/117-101	771-9973/117-102	1
2 m	771-9973/117-201	771-9973/117-202	1
3 m	771-9973/117-301	771-9973/117-302	1
4 m	771-9973/117-401	771-9973/117-402	1
5 m	771-9973/117-501	771-9973/117-502	1
6 m	771-9973/117-601	771-9973/117-602	1
7 m	771-9973/117-701	771-9973/117-702	1
8 m	771-9973/117-801	771-9973/117-802	1



Total length	Connector color/Strain relief color		PU
	red/black	red/white	
1 m	771-9973/217-101	771-9973/217-102	1
2 m	771-9973/217-201	771-9973/217-202	1
3 m	771-9973/217-301	771-9973/217-302	1
4 m	771-9973/217-401	771-9973/217-402	1
5 m	771-9973/217-501	771-9973/217-502	1
6 m	771-9973/217-601	771-9973/217-602	1
7 m	771-9973/217-701	771-9973/217-702	1
8 m	771-9973/217-801	771-9973/217-802	1

Accessories; for all products on this page



Locking lever, for flying leads; manually operated		
Color	Item No.	PU (SPU)
● black	770-101	100 (25)
○ white	770-121	100 (25)

Locking lever, for flying leads; tool operated		
Color	Item No.	PU (SPU)
● black	770-111	100 (25)
○ white	770-131	100 (25)

PU = Packaging Unit; SPU = Subpackaging Unit; Dimensions in mm

Cable Assembly ▶ WINSTA® MIDI ▶ 771 Series

No. of poles: 3 ▶ Protection class: IP 2xD ▶ Coding: A ▶ Marking: L ⊕ N



- Protected against mismatching and maintenance-free
- Push-in CAGE CLAMP® spring pressure connection technology allows solid conductors to be simply pushed into a unit
- Two-wire connection per pole for loops or bridges
- Additional variable coding is possible

3

Electrical Data

Coding	A			A		
Cross section of single conductor	1.5 mm ²			2.5 mm ²		
Ratings per	IEC/EN 60664-1			IEC/EN 60664-1		
Overvoltage category	III	III	II	III	III	II
Pollution degree	3	2	2	3	2	2
Rated voltage	250 V	-	-	250 V	-	-
Rated impulse voltage	4 kV	-	-	4 kV	-	-
Rated current	16 A	-	-	20 A	-	-
Approvals per	UL 1977			UL 1977		
Rated voltage	600 V			600 V		
Rated current	23 A			23 A		

Material Data

Insulating material	Polyamide 66 (PA 66)
Flammability class per UL94	V0
Contact material	Copper or copper alloy, surface-treated
Reaction to fire class per EN 50575	E _{ca}

Mechanical Data

Mating force of a plug-in connection	approx. 20 ... 70 N (depending on pole number)
Unmating force of a plug-in connection	when unlocked: approx. 20 ... 70 N (depending on pole number)
Retention force of a plug-in connection	when locked: > 80N
Protection class	IP 2xD
Mismatching protection	All WINSTA® components are 100 % protected against mismatching in terms of: <ul style="list-style-type: none"> • Plugging a different number of poles • Plugging when rotated by 180° • Plugging when laterally staggered • Plugging one pole

Environmental Requirements

Processing temperature	-5 ... +40 °C
Continuous operating temperature	-35 ... +85 °C
Note on continuous service temperature	PVC cable for temperatures ≤ 70 °C (including halogen-free) Insulating parts for temperatures ≤ 105 °C

Cables with different fire load are available in the eShop

Application note for the U.S. market (USR): Some versions may also be used for current interruption in accordance with the UL certificate in select applications with currents below 16 A and voltages up to 600 V. For further information, please contact your local sales office.

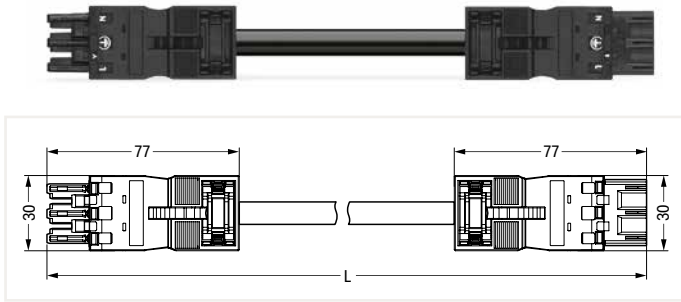
Marking Page 511

Additional information, see "Technical Section"

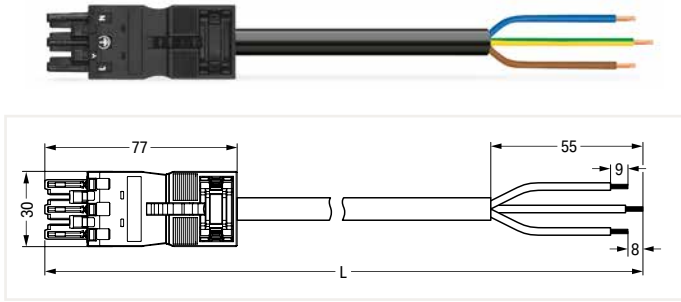
Approvals and corresponding ratings, visit www.wago.com

Cable Assembly ▶ WINSTA® MIDI ▶ 771 Series

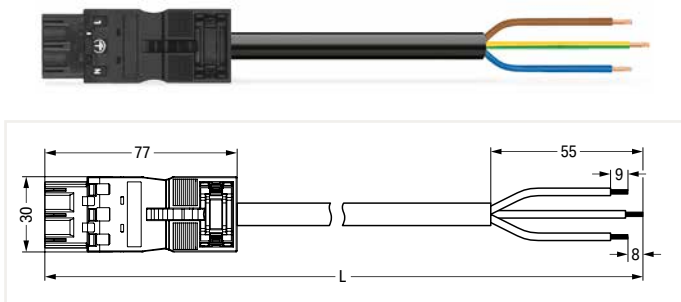
No. of poles: 3 ▶ Protection class: IP 2xD ▶ Coding: A ▶ Marking: L ⊕ N ▶ 1.5 mm² ▶ PVC ▶ Cable diameter: 7.4 ... 9.4 mm ▶ H05VV-F 3G1.5



Interconnecting cable ▶ Socket - Plug			
Total length	Connector color/Strain relief color		PU
	black/black	white/white	
1 m	771-6993/006-101	771-6993/006-102	1
2 m	771-6993/006-201	771-6993/006-202	1
3 m	771-6993/006-301	771-6993/006-302	1
4 m	771-6993/006-401	771-6993/006-402	1
5 m	771-6993/006-501	771-6993/006-502	1
6 m	771-6993/006-601	771-6993/006-602	1
7 m	771-6993/006-701	771-6993/006-702	1
8 m	771-6993/006-801	771-6993/006-802	1



Connecting cable ▶ Socket - Free end ▶ Strip length: 55 mm			
Total length	Connector color/Strain relief color		PU
	black/black	white/white	
1 m	771-6993/106-101	771-6993/106-102	1
2 m	771-6993/106-201	771-6993/106-202	1
3 m	771-6993/106-301	771-6993/106-302	1
4 m	771-6993/106-401	771-6993/106-402	1
5 m	771-6993/106-501	771-6993/106-502	1
6 m	771-6993/106-601	771-6993/106-602	1
7 m	771-6993/106-701	771-6993/106-702	1
8 m	771-6993/106-801	771-6993/106-802	1



Connecting cable ▶ Plug - Free end ▶ Strip length: 55 mm			
Total length	Connector color/Strain relief color		PU
	black/black	white/white	
1 m	771-6993/206-101	771-6993/206-102	1
2 m	771-6993/206-201	771-6993/206-202	1
3 m	771-6993/206-301	771-6993/206-302	1
4 m	771-6993/206-401	771-6993/206-402	1
5 m	771-6993/206-501	771-6993/206-502	1
6 m	771-6993/206-601	771-6993/206-602	1
7 m	771-6993/206-701	771-6993/206-702	1
8 m	771-6993/206-801	771-6993/206-802	1

3

Accessories; for all products on this page



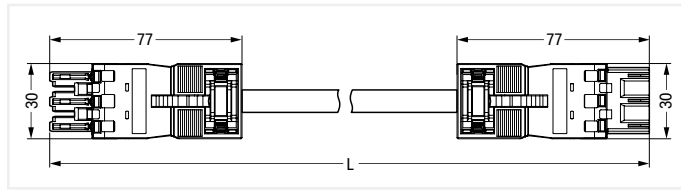
Locking lever, for flying leads; manually operated		
Color	Item No.	PU (SPU)
● black	770-101	100 (25)
○ white	770-121	100 (25)

Locking lever, for flying leads; tool operated		
Color	Item No.	PU (SPU)
● black	770-111	100 (25)
○ white	770-131	100 (25)

PU = Packaging Unit; SPU = Subpackaging Unit; Dimensions in mm

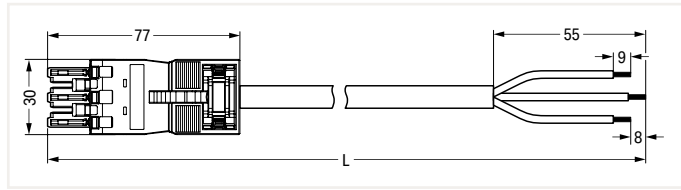
Cable Assembly ▶ WINSTA® MIDI ▶ 771 Series

No. of poles: 3 ▶ Protection class: IP 2xD ▶ Coding: A ▶ Marking: L ⊕ N ▶ 1.5 mm² ▶ Halogen-free ▶ Cable diameter: 7.4 ... 9.4 mm ▶ H05Z1Z1-F 3G1.5

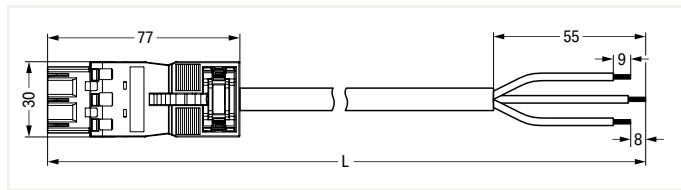


Interconnecting cable ▶ Socket - Plug			
Total length	Connector color/Strain relief color		PU
	black/black	white/white	
1 m	771-6993/016-101	771-6993/016-102	1
2 m	771-6993/016-201	771-6993/016-202	1
3 m	771-6993/016-301	771-6993/016-302	1
4 m	771-6993/016-401	771-6993/016-402	1
5 m	771-6993/016-501	771-6993/016-502	1
6 m	771-6993/016-601	771-6993/016-602	1
7 m	771-6993/016-701	771-6993/016-702	1
8 m	771-6993/016-801	771-6993/016-802	1

3



Connecting cable ▶ Socket - Free end ▶ Strip length: 55 mm			
Total length	Connector color/Strain relief color		PU
	black/black	white/white	
1 m	771-6993/116-101	771-6993/116-102	1
2 m	771-6993/116-201	771-6993/116-202	1
3 m	771-6993/116-301	771-6993/116-302	1
4 m	771-6993/116-401	771-6993/116-402	1
5 m	771-6993/116-501	771-6993/116-502	1
6 m	771-6993/116-601	771-6993/116-602	1
7 m	771-6993/116-701	771-6993/116-702	1
8 m	771-6993/116-801	771-6993/116-802	1



Connecting cable ▶ Plug - Free end ▶ Strip length: 55 mm			
Total length	Connector color/Strain relief color		PU
	black/black	white/white	
1 m	771-6993/216-101	771-6993/216-102	1
2 m	771-6993/216-201	771-6993/216-202	1
3 m	771-6993/216-301	771-6993/216-302	1
4 m	771-6993/216-401	771-6993/216-402	1
5 m	771-6993/216-501	771-6993/216-502	1
6 m	771-6993/216-601	771-6993/216-602	1
7 m	771-6993/216-701	771-6993/216-702	1
8 m	771-6993/216-801	771-6993/216-802	1

Accessories; for all products on this page



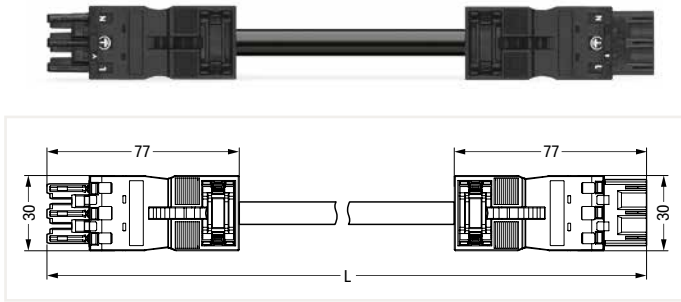
Locking lever, for flying leads; manually operated		
Color	Item No.	PU (SPU)
● black	770-101	100 (25)
○ white	770-121	100 (25)

Locking lever, for flying leads; tool operated		
Color	Item No.	PU (SPU)
● black	770-111	100 (25)
○ white	770-131	100 (25)

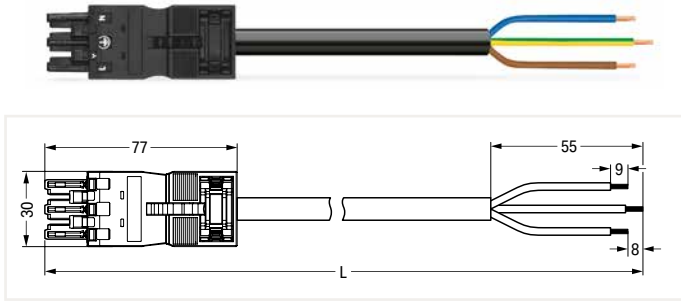
PU = Packaging Unit; SPU = Subpackaging Unit; Dimensions in mm

Cable Assembly ▶ WINSTA® MIDI ▶ 771 Series

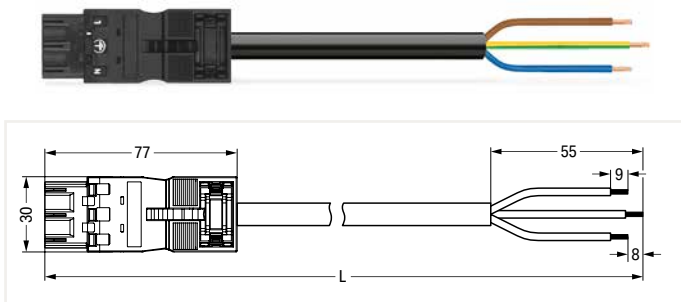
No. of poles: 3 ▶ Protection class: IP 2xD ▶ Coding: A ▶ Marking: L ⊕ N ▶ 2.5 mm² ▶ PVC ▶ Cable diameter: 9.2 ... 11.4 mm ▶ H05VV-F 3G2.5



Interconnecting cable ▶ Socket - Plug			
Total length	Connector color/Strain relief color		PU
	black/black	white/white	
1 m	771-6993/007-101	771-6993/007-102	1
2 m	771-6993/007-201	771-6993/007-202	1
3 m	771-6993/007-301	771-6993/007-302	1
4 m	771-6993/007-401	771-6993/007-402	1
5 m	771-6993/007-501	771-6993/007-502	1
6 m	771-6993/007-601	771-6993/007-602	1
7 m	771-6993/007-701	771-6993/007-702	1
8 m	771-6993/007-801	771-6993/007-802	1



Connecting cable ▶ Socket - Free end ▶ Strip length: 55 mm			
Total length	Connector color/Strain relief color		PU
	black/black	white/white	
1 m	771-6993/107-101	771-6993/107-102	1
2 m	771-6993/107-201	771-6993/107-202	1
3 m	771-6993/107-301	771-6993/107-302	1
4 m	771-6993/107-401	771-6993/107-402	1
5 m	771-6993/107-501	771-6993/107-502	1
6 m	771-6993/107-601	771-6993/107-602	1
7 m	771-6993/107-701	771-6993/107-702	1
8 m	771-6993/107-801	771-6993/107-802	1



Connecting cable ▶ Plug - Free end ▶ Strip length: 55 mm			
Total length	Connector color/Strain relief color		PU
	black/black	white/white	
1 m	771-6993/207-101	771-6993/207-102	1
2 m	771-6993/207-201	771-6993/207-202	1
3 m	771-6993/207-301	771-6993/207-302	1
4 m	771-6993/207-401	771-6993/207-402	1
5 m	771-6993/207-501	771-6993/207-502	1
6 m	771-6993/207-601	771-6993/207-602	1
7 m	771-6993/207-701	771-6993/207-702	1
8 m	771-6993/207-801	771-6993/207-802	1

3

Accessories; for all products on this page



Locking lever, for flying leads; manually operated		
Color	Item No.	PU (SPU)
● black	770-101	100 (25)
○ white	770-121	100 (25)

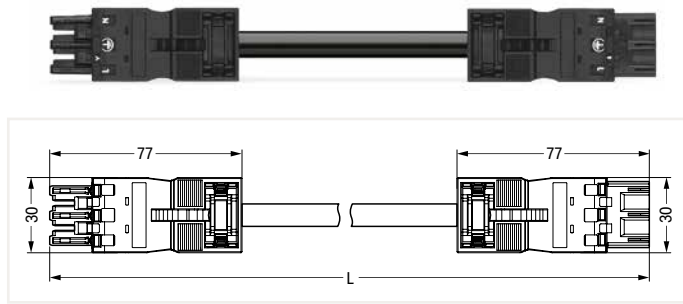
Locking lever, for flying leads; tool operated		
Color	Item No.	PU (SPU)
● black	770-111	100 (25)
○ white	770-131	100 (25)

PU = Packaging Unit; SPU = Subpackaging Unit; Dimensions in mm

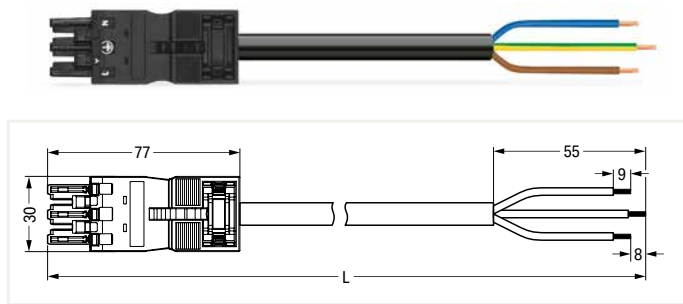
Cable Assembly ▶ WINSTA® MIDI ▶ 771 Series

No. of poles: 3 ▶ Protection class: IP 2xD ▶ Coding: A ▶ Marking: L ⊕ N ▶ 2.5 mm² ▶ Halogen-free ▶ Cable diameter: 9.2 ... 11.4 mm ▶ H05Z1Z1-F 3G2.5

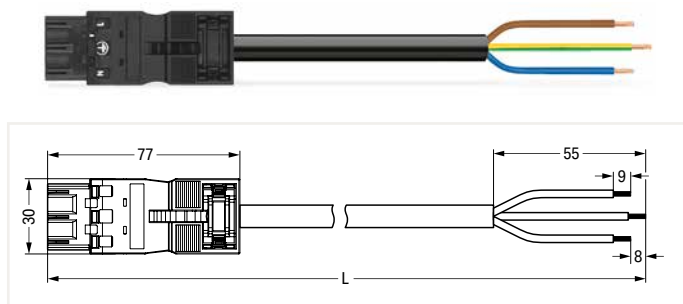
3



Interconnecting cable ▶ Socket - Plug			
Total length	Connector color/Strain relief color		PU
	black/black	white/white	
1 m	771-6993/017-101	771-6993/017-102	1
2 m	771-6993/017-201	771-6993/017-202	1
3 m	771-6993/017-301	771-6993/017-302	1
4 m	771-6993/017-401	771-6993/017-402	1
5 m	771-6993/017-501	771-6993/017-502	1
6 m	771-6993/017-601	771-6993/017-602	1
7 m	771-6993/017-701	771-6993/017-702	1
8 m	771-6993/017-801	771-6993/017-802	1



Connecting cable ▶ Socket - Free end ▶ Strip length: 55 mm			
Total length	Connector color/Strain relief color		PU
	black/black	white/white	
1 m	771-6993/117-101	771-6993/117-102	1
2 m	771-6993/117-201	771-6993/117-202	1
3 m	771-6993/117-301	771-6993/117-302	1
4 m	771-6993/117-401	771-6993/117-402	1
5 m	771-6993/117-501	771-6993/117-502	1
6 m	771-6993/117-601	771-6993/117-602	1
7 m	771-6993/117-701	771-6993/117-702	1
8 m	771-6993/117-801	771-6993/117-802	1



Connecting cable ▶ Plug - Free end ▶ Strip length: 55 mm			
Total length	Connector color/Strain relief color		PU
	black/black	white/white	
1 m	771-6993/217-101	771-6993/217-102	1
2 m	771-6993/217-201	771-6993/217-202	1
3 m	771-6993/217-301	771-6993/217-302	1
4 m	771-6993/217-401	771-6993/217-402	1
5 m	771-6993/217-501	771-6993/217-502	1
6 m	771-6993/217-601	771-6993/217-602	1
7 m	771-6993/217-701	771-6993/217-702	1
8 m	771-6993/217-801	771-6993/217-802	1

Accessories; for all products on this page



Locking lever, for flying leads; manually operated		
Color	Item No.	PU (SPU)
● black	770-101	100 (25)
○ white	770-121	100 (25)

Locking lever, for flying leads; tool operated		
Color	Item No.	PU (SPU)
● black	770-111	100 (25)
○ white	770-131	100 (25)

PU = Packaging Unit; SPU = Subpackaging Unit; Dimensions in mm

Pluggable Connector ▶ WINSTA® MIDI ▶ 770 Series

No. of poles: 4 ▶ Number of connection points: 2



- Protected against mismatching and maintenance-free
- Push-in CAGE CLAMP® spring pressure connection technology allows solid conductors to be simply pushed into a unit
- Two-wire connection per pole for loops or bridges
- Additional variable coding is possible

3

Electrical Data						
Coding	A			Q		
Application				for "Clean Earth"		
Ratings per	IEC/EN 60664-1			IEC/EN 60664-1		
Overvoltage category	III	III	II	III	III	II
Pollution degree	3	2	2	3	2	2
Rated voltage	400 V	-	-	400 V	-	-
Rated impulse voltage	6 kV	-	-	6 kV	-	-
Rated current	25 A	-	-	32 A	-	-
Approvals per	UL 1977			UL 1977		
Rated voltage	600 V			600 V		
Rated current	23 A			23 A		

Connection Data	
Connection technology	Push-in CAGE CLAMP®
Strip length	9 mm / 0.35 Inch
Nominal cross section	4 mm ²
Solid conductor	0.5 ... 4 mm ² / 20 ... 12 AWG
Solid conductor, push-in termination	1.5 ... 4 mm ² / 16 ... 12 AWG
Stranded conductor	0.5 ... 2.5 mm ² / 20 ... 14 AWG
Fine-stranded conductor	0.5 ... 4 mm ² / 20 ... 12 AWG
Fine-stranded conductor with ferrule with plastic collar	0.25 ... 1.5 mm ² / 20 ... 16 AWG
Fine-stranded conductor with ferrule without plastic collar	0.25 ... 2.5 mm ² / 20 ... 14 AWG
Fine-stranded conductor with ferrule, push-in termination, from	1.5 mm ² / 16 AWG

Material Data	
Insulating material	Polyamide 66 (PA 66)
Flammability class per UL94	V0
Clamping spring material	Chrome nickel spring steel (CrNi)
Contact material	Copper or copper alloy, surface-treated

Mechanical Data	
Mating force of a plug-in connection	Approx. 20 ... 70 N (depending on pole number)
Unmating force of a plug-in connection	When unlocked: approx. 20 ... 70 N (depending on pole number)
Retention force of a plug-in connection	When locked: > 80 N
Protection class	IP20
Note on protection class	Only in mated condition with strain relief housing (These compact connectors are not designed for use in open, easily accessible areas.)
Mismatching protection	All WINSTA® components are 100 % protected against mismatching in terms of: <ul style="list-style-type: none"> • Plugging a different number of poles • Plugging when rotated by 180° • Plugging when laterally staggered • Plugging one pole

All connectors for mounted installations (snap-in versions for lighting fixtures or devices, all types of PCB and distribution connectors) are factory-equipped with locking levers to ensure plugs and sockets are securely locked. Additional locking levers are only required for flying leads (plug/socket).

Application note for the U.S. market (USR): Some versions may also be used for current interruption in accordance with the UL certificate in select applications with currents below 16 A and voltages up to 600 V. For further information, please contact your local sales office.

Marking	Page 511
Strain relief	Page 492
Tools	Page 506
Additional information, see "Technical Section"	
Approvals and corresponding ratings, visit www.wago.com	

Environmental Requirements	
Processing temperature	-5 ... +40 °C
Continuous operating temperature	-35 ... +85 °C
Note on continuous service temperature	Insulating parts for temperatures ≤ 105 °C

Pluggable Connector ▶ WINSTA® MIDI ▶ 770 Series

No. of poles: 4 ▶ Number of connection points: 2 ▶ Cable diameter: 9 ... 13 mm

Strain relief housing ▶ Female connector/socket ▶ Strip length: 55 mm

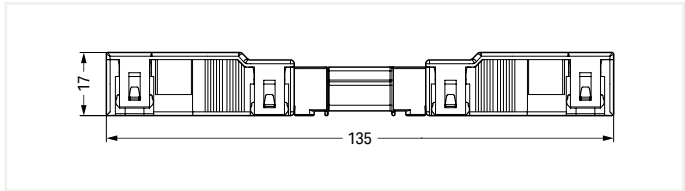
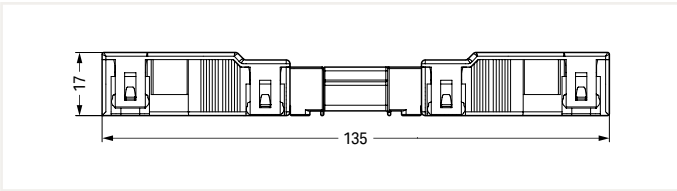
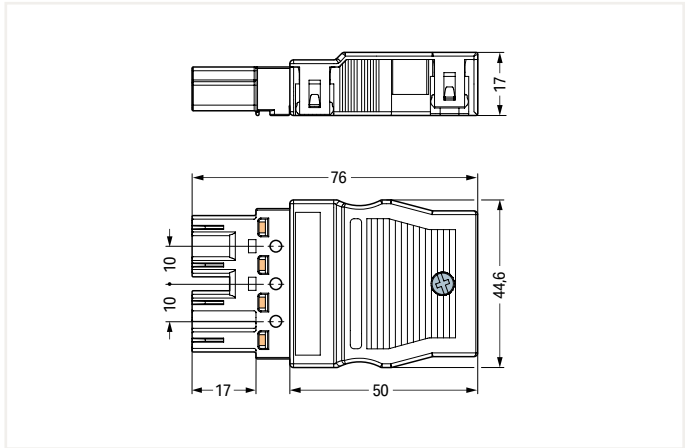
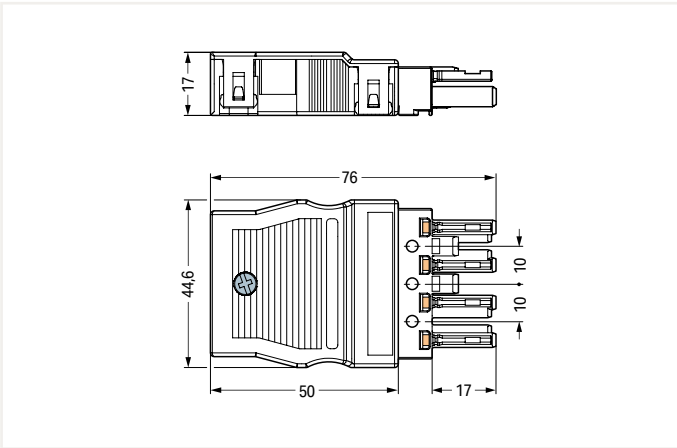
Strain relief housing ▶ Male connector/plug ▶ Strip length: 55 mm



Color	Coding	Marking	Item No.	PU
● black	A	N ⊕ 2 L 1 L'	770-104	25
○ white	A	N ⊕ 2 L 1 L'	770-124	25

Color	Coding	Marking	Item No.	PU
● black	A	N ⊕ 2 L 1 L'	770-114	25
○ white	A	N ⊕ 2 L 1 L'	770-134	25

3



Overall length when mated

Overall length when mated

Item-Specific Accessories

Item-Specific Accessories



Lockout cap; for socket; separable; No. of poles: 12

Color	Item No.	PU
● black	770-201	100
○ white	770-221	100

Lockout cap; for plug; separable; No. of poles: 5

Color	Item No.	PU
● yellow	770-360	100

Accessories; for all products on this page



Locking lever, for flying leads; manually operated

Color	Item No.	PU (SPU)
● black	770-101	100 (25)
○ white	770-121	100 (25)

Locking lever, for flying leads; tool operated

Color	Item No.	PU (SPU)
● black	770-111	100 (25)
○ white	770-131	100 (25)

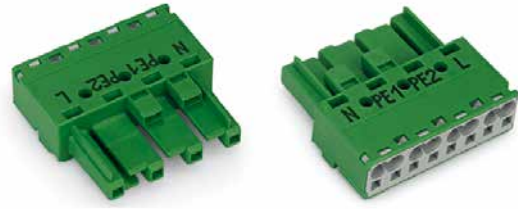
PU = Packaging Unit; SPU = Subpackaging Unit; Dimensions in mm

Pluggable Connector ▶ WINSTA® MIDI ▶ 770 Series

No. of poles: 4 ▶ Number of connection points: 2

Female connector/socket

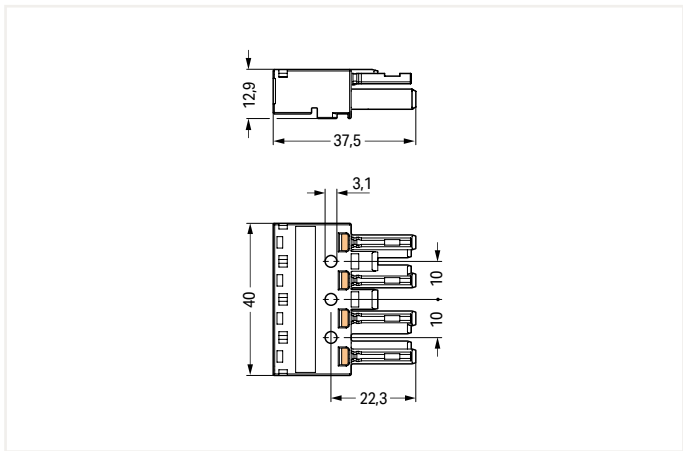
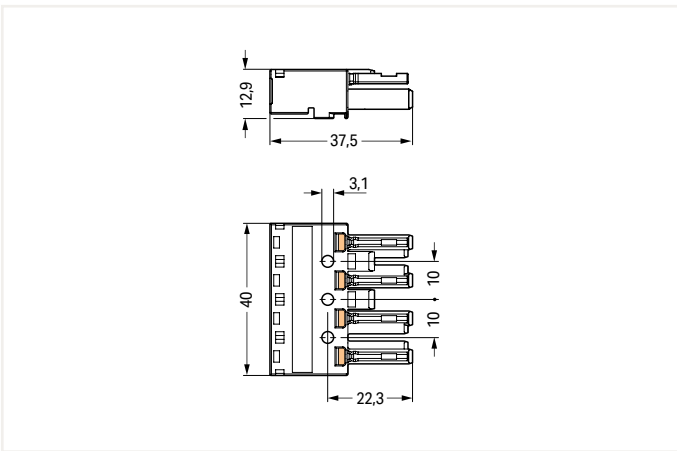
Female connector/socket ▶ for "Clean Earth"



3

Color	Coding	Marking	Item No.	PU
● black	A	N Ⓞ 2 L 1 L'	770-204	50
○ white	A	N Ⓞ 2 L 1 L'	770-224	50

Color	Coding	Marking	Item No.	PU
● green	Q	N PE1 PE2 L	770-1324	50



Accessories; for all products on this page



Locking lever, for flying leads; manually operated		
Color	Item No.	PU (SPU)
● black	770-101	100 (25)
○ white	770-121	100 (25)

Locking lever, for flying leads; tool operated		
Color	Item No.	PU (SPU)
● black	770-111	100 (25)
○ white	770-131	100 (25)

Lockout cap; for socket; separable; No. of poles: 12		
Color	Item No.	PU
● black	770-201	100
○ white	770-221	100



Strain relief housing; Connectable sheathed cable diameter: 9 ... 13 mm; Strip length: 55 mm		
Color	Item No.	PU
● black	770-504	25
○ white	770-514	25

PU = Packaging Unit; SPU = Subpackaging Unit; Dimensions in mm

Pluggable Connector ▶ WINSTA® MIDI ▶ 770 Series

No. of poles: 4 ▶ Number of connection points: 2

Male connector/plug

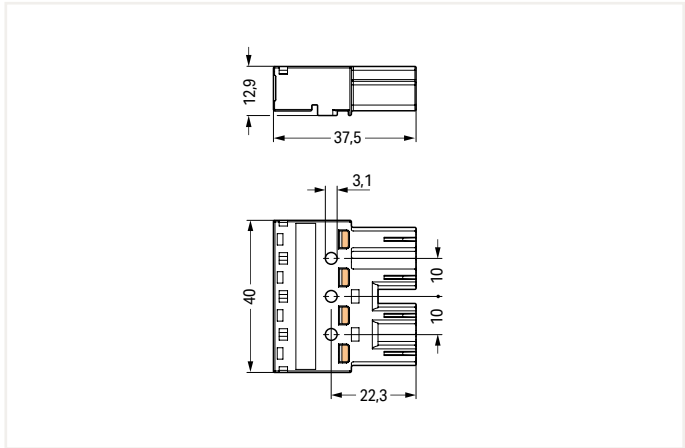
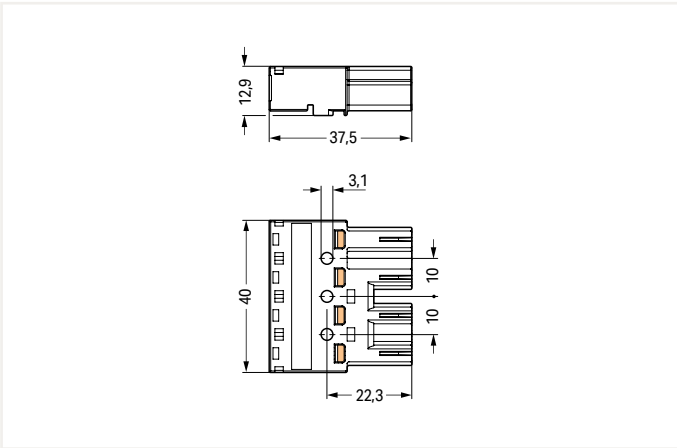
Male connector/plug ▶ for "Clean Earth"



Color	Coding	Marking	Item No.	PU
● black	A	N ⊕ 2 L 1 L'	770-214	50
○ white	A	N ⊕ 2 L 1 L'	770-234	50

Color	Coding	Marking	Item No.	PU
● green	Q	N PE1 PE2 L	770-1334	50

3



Accessories; for all products on this page



Locking lever, for flying leads; manually operated

Color	Item No.	PU (SPU)
● black	770-101	100 (25)
○ white	770-121	100 (25)

Locking lever, for flying leads; tool operated

Color	Item No.	PU (SPU)
● black	770-111	100 (25)
○ white	770-131	100 (25)

Lockout cap; for plug; separable; No. of poles: 5

Color	Item No.	PU
● yellow	770-360	100



Strain relief housing; Connectable sheathed cable diameter: 9 ... 13 mm; Strip length: 55 mm

Color	Item No.	PU
● black	770-504	25
○ white	770-514	25

PU = Packaging Unit; SPU = Subpackaging Unit; Dimensions in mm

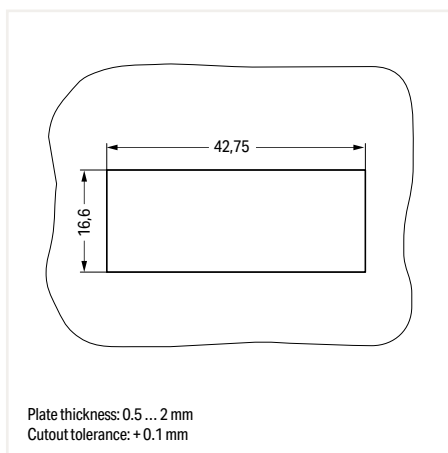
Snap-In Device Connector ▶ WINSTA® MIDI ▶ 770 Series

No. of poles: 4 ▶ Number of connection points: 2



- Protected against mismatching and maintenance-free
- Push-in CAGE CLAMP® spring pressure connection technology allows solid conductors to be simply pushed into a unit
- Two-wire connection per pole for loops or bridges
- Additional variable coding is possible

3



Electrical Data						
Coding	A			Q		
Application	IEC/EN 60664-1			for "Clean Earth" IEC/EN 60664-1		
Ratings per	IEC/EN 60664-1			IEC/EN 60664-1		
Overtoltage category	III	III	II	III	III	II
Pollution degree	3	2	2	3	2	2
Rated voltage	400 V	-	-	400 V	-	-
Rated impulse voltage	6 kV	-	-	6 kV	-	-
Rated current	25 A	-	-	32 A	-	-
Approvals per	UL 1977			UL 1977		
Rated voltage	600 V			600 V		
Rated current	23 A			23 A		

Connection Data	
Connection technology	Push-in CAGE CLAMP®
Strip length	9 mm / 0.35 Inch
Nominal cross section	4 mm ²
Solid conductor	0.5 ... 4 mm ² / 20 ... 12 AWG
Solid conductor, push-in termination	1.5 ... 4 mm ² / 16 ... 12 AWG
Stranded conductor	0.5 ... 2.5 mm ² / 20 ... 14 AWG
Fine-stranded conductor	0.5 ... 4 mm ² / 20 ... 12 AWG
Fine-stranded conductor with ferrule with plastic collar	0.25 ... 1.5 mm ² / 20 ... 16 AWG
Fine-stranded conductor with ferrule without plastic collar	0.25 ... 2.5 mm ² / 20 ... 14 AWG
Fine-stranded conductor with ferrule, push-in termination, from	1.5 mm ² / 16 AWG

Material Data	
Insulating material	Polyamide 66 (PA 66)
Flammability class per UL94	V0
Clamping spring material	Chrome nickel spring steel (CrNi)
Contact material	Copper or copper alloy, surface-treated

Mechanical Data	
Mating force of a plug-in connection	Approx. 20 ... 70 N (depending on pole number)
Unmating force of a plug-in connection	When unlocked: approx. 20 ... 70 N (depending on pole number)
Retention force of a plug-in connection	When locked: > 80 N
Protection class	IP20
Note on protection class	Only in mated condition with strain relief housing (These compact connectors are not designed for use in open, easily accessible areas.)
Mismatching protection	All WINSTA® components are 100 % protected against mismatching in terms of: <ul style="list-style-type: none"> • Plugging a different number of poles • Plugging when rotated by 180° • Plugging when laterally staggered • Plugging one pole

Environmental Requirements	
Processing temperature	-5 ... +40 °C
Continuous operating temperature	-35 ... +85 °C
Note on continuous service temperature	Insulating parts for temperatures ≤ 105 °C

All connectors for mounted installations (snap-in versions for lighting fixtures or devices, all types of PCB and distribution connectors) are factory-equipped with locking levers to ensure plugs and sockets are securely locked. Additional locking levers are only required for flying leads (plug/socket).

Application note for the U.S. market (USR): Some versions may also be used for current interruption in accordance with the UL certificate in select applications with currents below 16 A and voltages up to 600 V. For further information, please contact your local sales office.

Coding Page 486

Tools Page 506

Additional information, see "Technical Section"

Approvals and corresponding ratings, visit www.wago.com

Snap-In Device Connector ▶ WINSTA® MIDI ▶ 770 Series

No. of poles: 4 ▶ Number of connection points: 2

Female connector/socket

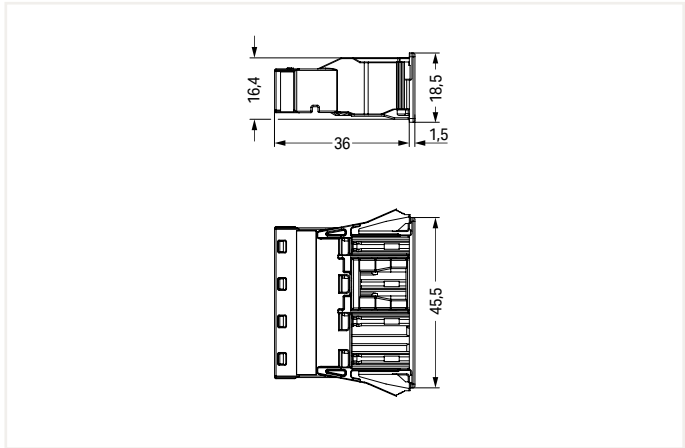
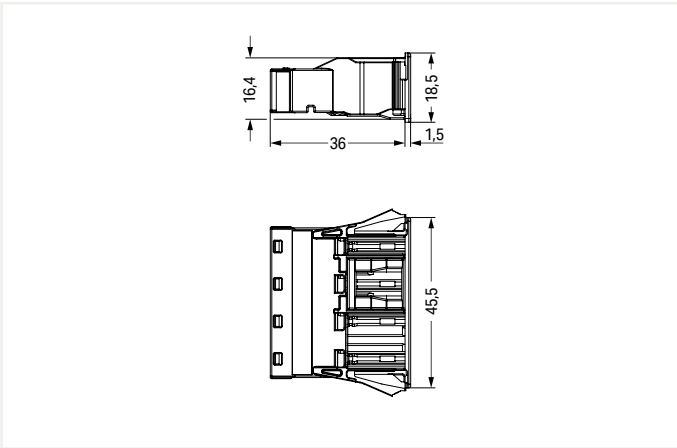
Female connector/socket ▶ for "Clean Earth"



Color	Coding	Marking	Item No.	PU
● black	A	N ⊕ 2 L 1 L'	770-704	100
○ white	A	N ⊕ 2 L 1 L'	770-724	100

Color	Coding	Marking	Item No.	PU
● green	Q	N PE1 PE2 L	770-2324	100

3



Accessories; for all products on this page



Lockout cap; for socket; separable; No. of poles: 12		
Color	Item No.	PU
● black	770-201	100
○ white	770-221	100

Lockout cap; for cutout; No. of poles: 4		
Color	Item No.	PU
● black	770-644	100
○ white	770-694	100

PU = Packaging Unit; SPU = Subpackaging Unit; Dimensions in mm

Snap-In Device Connector ▶ WINSTA® MIDI ▶ 770 Series

No. of poles: 4 ▶ Number of connection points: 2

Male connector/plug

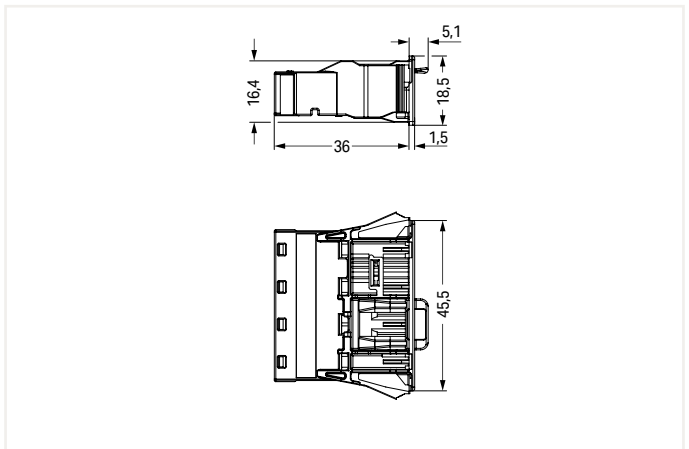
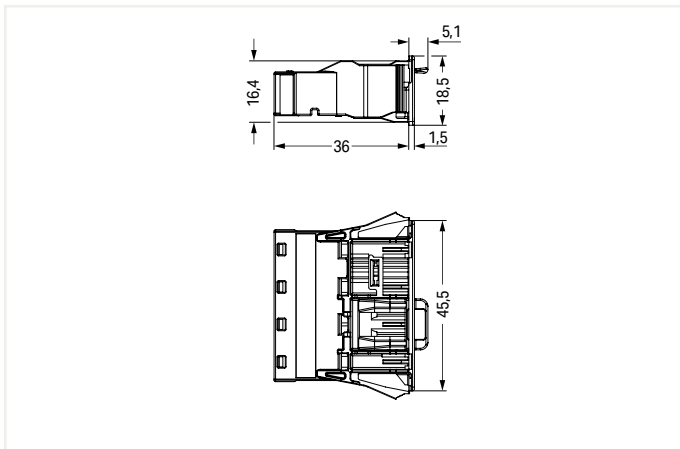
Male connector/plug ▶ for "Clean Earth"



3

Color	Coding	Marking	Item No.	PU
● black	A	N ⊕ 2 L 1 L'	770-714	100
○ white	A	N ⊕ 2 L 1 L'	770-734	100

Color	Coding	Marking	Item No.	PU
● green	Q	N PE1 PE2 L	770-2334	100



Accessories; for all products on this page



Lockout cap; for plug; separable; No. of poles: 5		
Color	Item No.	PU
● yellow	770-360	100

Lockout cap; for cutout; No. of poles: 4		
Color	Item No.	PU
● black	770-644	100
○ white	770-694	100

PU = Packaging Unit; SPU = Subpackaging Unit; Dimensions in mm

Snap-In Device Connector ▶ WINSTA® MIDI ▶ 770 Series

No. of poles: 4 ▶ Number of connection points: 2

With protruding interface ▶ Female connector/socket

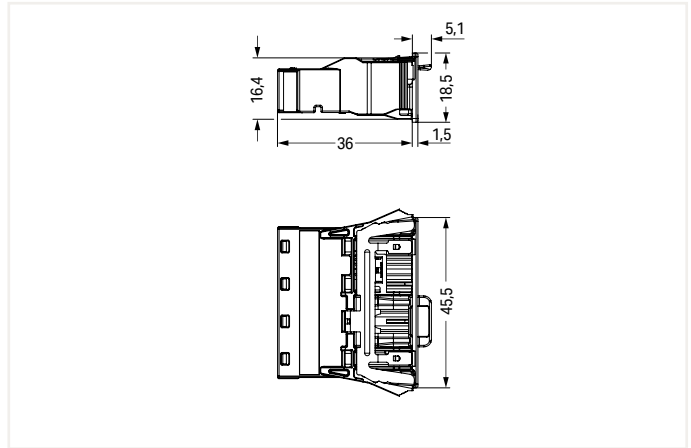
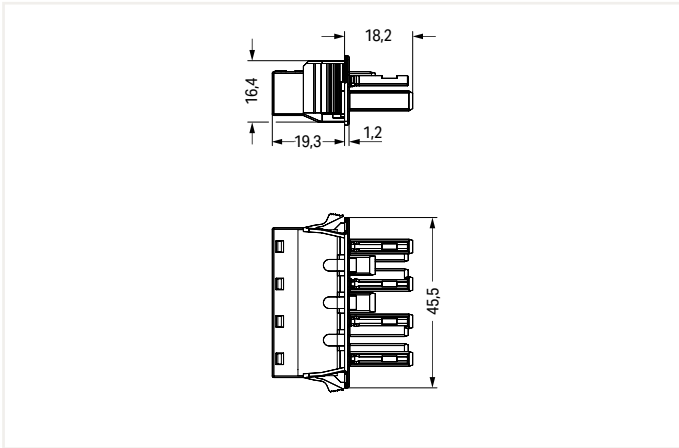
With direct ground contact ▶ Male connector/plug



Color	Coding	Marking	Item No.	PU
● black	A	N ⊕ 2 L 1 L'	770-704/009-000	100
○ white	A	N ⊕ 2 L 1 L'	770-724/009-000	100

Color	Coding	Marking	Item No.	PU
● black	A	N ⊕ 2 L 1 L'	770-714/007-000	100
○ white	A	N ⊕ 2 L 1 L'	770-734/007-000	100

3



Item-Specific Accessories

Item-Specific Accessories



Lockout cap; for socket; separable; No. of poles: 12

Color	Item No.	PU
● black	770-201	100
○ white	770-221	100

Lockout cap; for plug; separable; No. of poles: 5

Color	Item No.	PU
● yellow	770-360	100

Accessories; for all products on this page



Lockout cap; for cutout; No. of poles: 4

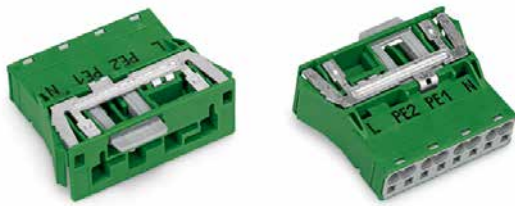
Color	Item No.	PU
● black	770-644	100
○ white	770-694	100

PU = Packaging Unit; SPU = Subpackaging Unit; Dimensions in mm

Snap-In Device Connector ▶ WINSTA® MIDI ▶ 770 Series

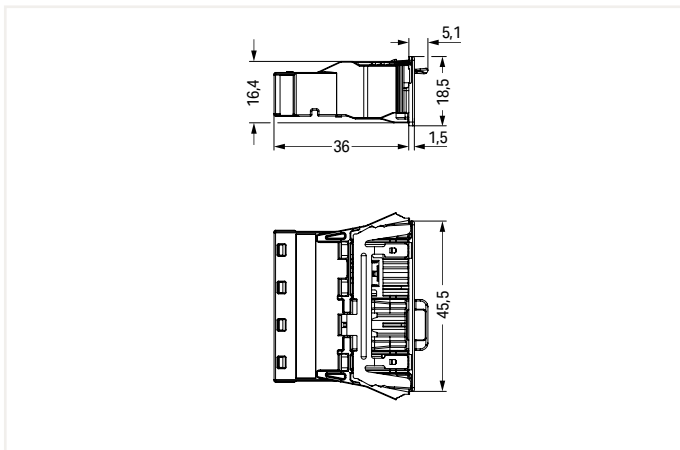
No. of poles: 4 ▶ Number of connection points: 2

With direct ground contact ▶ Male connector/plug ▶ for "Clean Earth"



3

Color	Coding	Marking	Item No.	PU
● green	Q	N PE1 PE2 L	770-2334/007-000	100



Accessories; for all products on this page



Lockout cap; for plug; separable; No. of poles: 5

Color	Item No.	PU
● yellow	770-360	100

Lockout cap; for cutout; No. of poles: 4

Color	Item No.	PU
● black	770-644	100
○ white	770-694	100

PU = Packaging Unit; SPU = Subpackaging Unit; Dimensions in mm

Pluggable PCB Connector ▶ WINSTA® MIDI ▶ 770 Series

No. of poles: 4



- Protected against mismatching and maintenance-free
- Push-in CAGE CLAMP® spring pressure connection technology allows solid conductors to be simply pushed into a unit
- Two-wire connection per pole for loops or bridges
- Additional variable coding is possible

Electrical Data			
Coding	A		
Ratings per	IEC/EN 60664-1		
Overvoltage category	III	III	II
Pollution degree	3	2	2
Rated voltage	400 V	-	-
Rated impulse voltage	6 kV	-	-
Rated current	25 A	-	-
Approvals per	UL 1977		
Rated voltage	600 V		
Rated current	23 A		

Material Data	
Insulating material	Polyamide 66 (PA 66)
Flammability class per UL94	V0
Contact material	Copper or copper alloy, surface-treated

Mechanical Data	
Solder pin arrangement	2 in-line solder pins/pole
Solder pin length	3.5 mm
Solder pin dimensions	1 x 0.8 mm
Drilled hole diameter (tolerance)	1.5 ^(+0.1) mm
Mating force of a plug-in connection	Approx. 20 ... 70 N (depending on pole number)
Unmating force of a plug-in connection	When unlocked: approx. 20 ... 70 N (depending on pole number)
Retention force of a plug-in connection	When locked: > 80 N
Protection class	IP20
Note on protection class	Only in mated condition with strain relief housing (These compact connectors are not designed for use in open, easily accessible areas.)
Mismatching protection	All WINSTA® components are 100 % protected against mismatching in terms of: <ul style="list-style-type: none"> • Plugging a different number of poles • Plugging when rotated by 180° • Plugging when laterally staggered • Plugging one pole

Environmental Requirements	
Processing temperature	-5 ... +40 °C
Continuous operating temperature	-35 ... +85 °C
Note on continuous service temperature	Insulating parts for temperatures ≤ 105 °C

All connectors for mounted installations (snap-in versions for lighting fixtures or devices, all types of PCB and distribution connectors) are factory-equipped with locking levers to ensure plugs and sockets are securely locked. Additional locking levers are only required for flying leads (plug/socket).

Application note for the U.S. market (USR): Some versions may also be used for current interruption in accordance with the UL certificate in select applications with currents below 16 A and voltages up to 600 V. For further information, please contact your local sales office.

Coding Page 486

Additional information, see "Technical Section"

Approvals and corresponding ratings, visit www.wago.com

Pluggable PCB Connector ▶ WINSTA® MIDI ▶ 770 Series

No. of poles: 4

Straight ▶ Female connector/socket



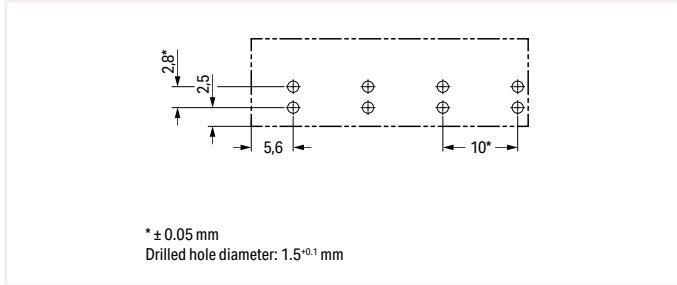
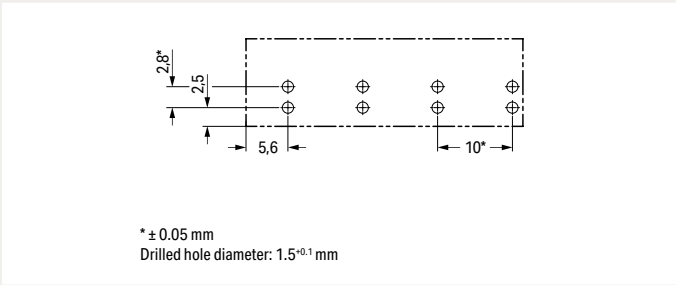
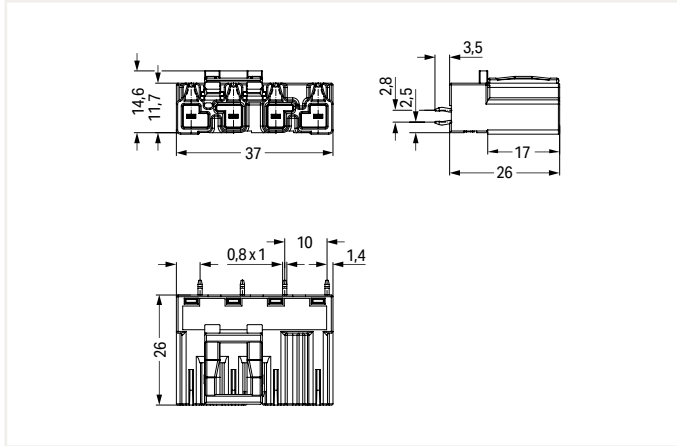
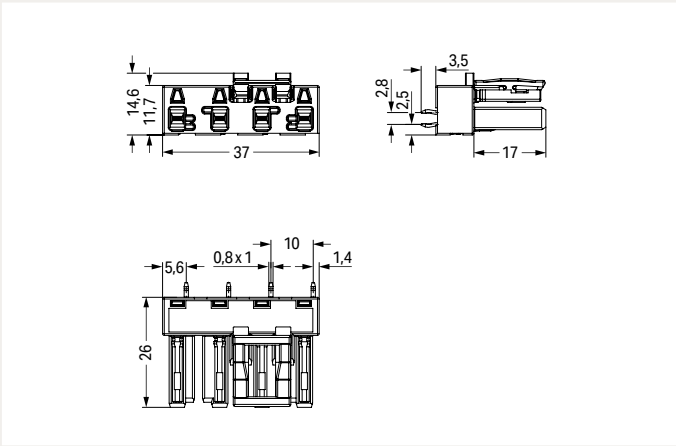
Straight ▶ Male connector/plug



Color	Coding	Marking	Item No.	PU
● black	A	N ⊕ 2 L 1 L'	770-804	50
○ white	A	N ⊕ 2 L 1 L'	770-824	50

Color	Coding	Marking	Item No.	PU
● black	A	N ⊕ 2 L 1 L'	770-814	50
○ white	A	N ⊕ 2 L 1 L'	770-834	50

3



Item-Specific Accessories



Lockout cap; for socket; separable; No. of poles: 12

Color	Item No.	PU
● black	770-201	100
○ white	770-221	100

Item-Specific Accessories



Lockout cap; for plug; separable; No. of poles: 5

Color	Item No.	PU
● yellow	770-360	100

PU = Packaging Unit; SPU = Subpackaging Unit; Dimensions in mm

Pluggable PCB Connector ▶ WINSTA® MIDI ▶ 770 Series

No. of poles: 4

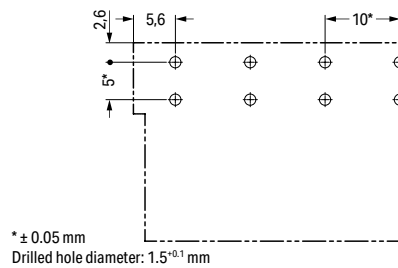
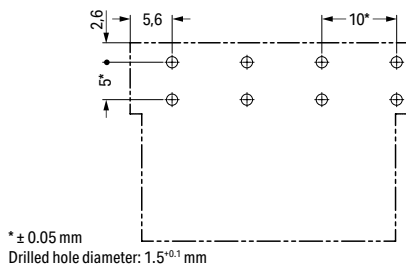
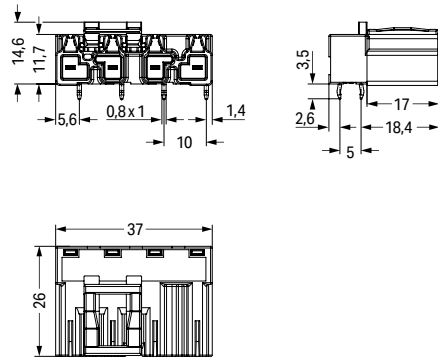
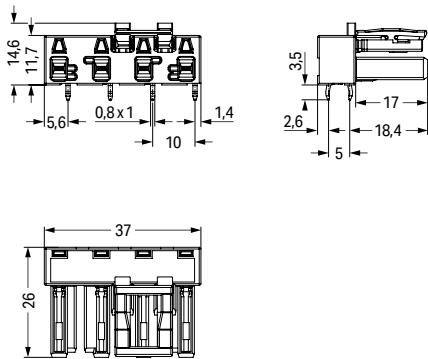
Angled ▶ Female connector/socket

Angled ▶ Male connector/plug



Color	Coding	Marking	Item No.	PU
● black	A	N ⊕ 2 L 1 L'	770-804/011-000	50
○ white	A	N ⊕ 2 L 1 L'	770-824/011-000	50

Color	Coding	Marking	Item No.	PU
● black	A	N ⊕ 2 L 1 L'	770-814/011-000	50
○ white	A	N ⊕ 2 L 1 L'	770-834/011-000	50



Item-Specific Accessories



Lockout cap; for socket; separable; No. of poles: 12

Color	Item No.	PU
● black	770-201	100
○ white	770-221	100

Item-Specific Accessories



Lockout cap; for plug; separable; No. of poles: 5

Color	Item No.	PU
● yellow	770-360	100

PU = Packaging Unit; SPU = Subpackaging Unit; Dimensions in mm

Distribution Connector ▶ WINSTA® MIDI ▶ 770 Series

No. of poles: 4



- Protected against mismatching and maintenance-free
- Push-in CAGE CLAMP® spring pressure connection technology allows solid conductors to be simply pushed into a unit
- Two-wire connection per pole for loops or bridges
- Additional variable coding is possible

Electrical Data			
Coding	A		
Ratings per	IEC/EN 60664-1		
Overvoltage category	III	III	II
Pollution degree	3	2	2
Rated voltage	400 V	-	-
Rated impulse voltage	6 kV	-	-
Rated current	25 A	-	-
Approvals per	UL 1977		
Rated voltage	600 V		
Rated current	23 A		

Material Data	
Insulating material	Polyamide 66 (PA 66)
Flammability class per UL94	V0
Contact material	Copper or copper alloy, surface-treated

Mechanical Data	
Mating force of a plug-in connection	Approx. 20 ... 70 N (depending on pole number)
Unmating force of a plug-in connection	When unlocked: approx. 20 ... 70 N (depending on pole number)
Retention force of a plug-in connection	When locked: > 80 N
Protection class	IP20
Note on protection class	Only in mated condition (These compact connectors are not designed for use in open, easily accessible areas.)
Mismatching protection	All WINSTA® components are 100 % protected against mismatching in terms of: <ul style="list-style-type: none"> • Plugging a different number of poles • Plugging when rotated by 180° • Plugging when laterally staggered • Plugging one pole

Environmental Requirements	
Processing temperature	-5 ... +40 °C
Continuous operating temperature	-35 ... +85 °C
Note on continuous service temperature	Insulating parts for temperatures ≤ 105 °C

All connectors for mounted installations (snap-in versions for lighting fixtures or devices, all types of PCB and distribution connectors) are factory-equipped with locking levers to ensure plugs and sockets are securely locked. Additional locking levers are only required for flying leads (plug/socket).

Application note for the U.S. market (USR): Some versions may also be used for current interruption in accordance with the UL certificate in select applications with currents below 16 A and voltages up to 600 V. For further information, please contact your local sales office.

Coding Page 486

Additional information, see "Technical Section"

Approvals and corresponding ratings, visit www.wago.com

Distribution Connector ▶ WINSTA® MIDI ▶ 770 Series

No. of poles: 4

Linect® T-connector



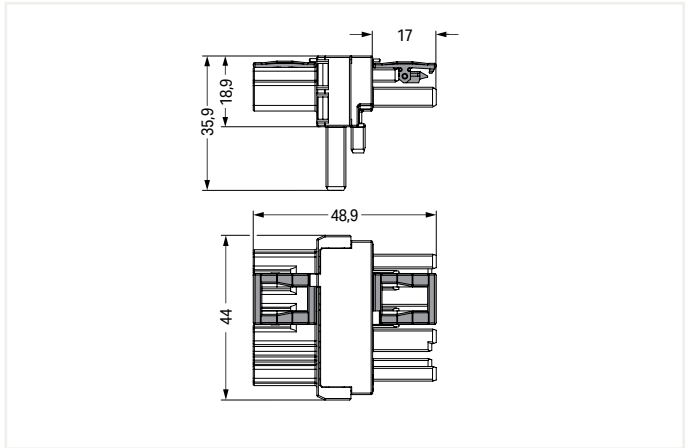
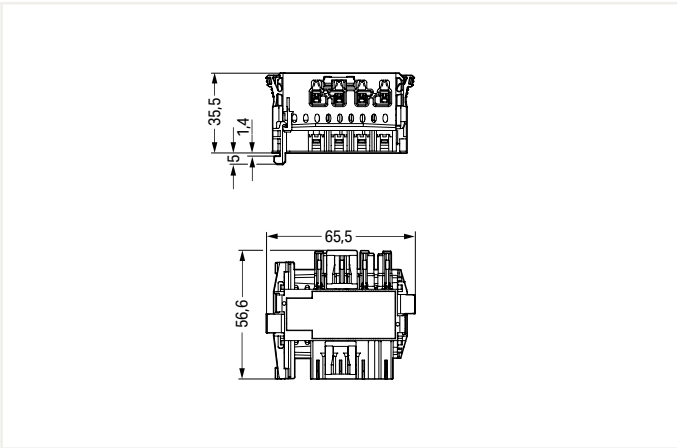
T-distribution connector ▶ Number of locking levers: 2



Color	Coding	Marking	Item No.	PU
○ white	A	N ⊕ 2 L 1 L'	770-6224	25

Color	Coding	Marking	Item No.	PU
● black	A	N ⊕ 2 L 1 L'	770-626	50
○ white	A	N ⊕ 2 L 1 L'	770-676	50

3



Item-Specific Accessories



Mounting adapter; for T-distribution connector; for 2- to 5-pole

Item No.	PU
770-354	50

Accessories; for all products on this page



Lockout cap; for socket; separable; No. of poles: 12		
Color	Item No.	PU
● black	770-201	100
○ white	770-221	100

Lockout cap; for plug; separable; No. of poles: 5		
Color	Item No.	PU
● yellow	770-360	100

PU = Packaging Unit; SPU = Subpackaging Unit; Dimensions in mm

Distribution Connector ▶ WINSTA® MIDI ▶ 770 Series

No. of poles: 4

T-distribution connector ▶ Number of locking levers: 3

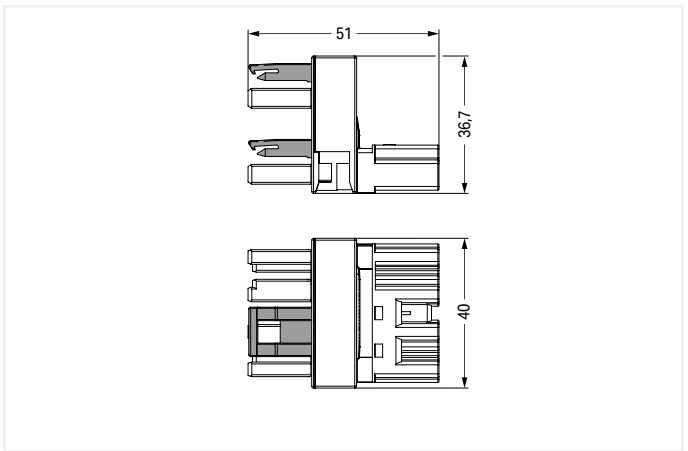
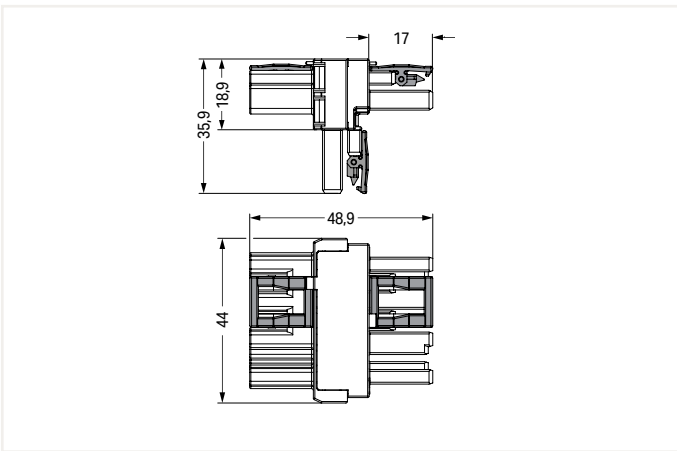
h-distribution connector, unidirectional ▶ Number of locking levers: 2



Fig. similar

Color	Coding	Marking	Item No.	PU
● black	A	N ⊕ 2 L 1 L'	770-627	50
○ white	A	N ⊕ 2 L 1 L'	770-677	50

Color	Coding	Marking	Item No.	PU
● black	A	N ⊕ 2 L 1 L'	770-944	25
○ white	A	N ⊕ 2 L 1 L'	770-994	25



Item-Specific Accessories

Item-Specific Accessories



Mounting adapter; for T-distribution connector; for 2- to 5-pole

Item No.	PU
770-354	50

Mounting plate; for distribution connector; No. of poles: 4

Color	Item No.	PU
● black	770-624	25
○ white	770-674	25

Accessories; for all products on this page



Lockout cap; for socket; separable; No. of poles: 12

Color	Item No.	PU
● black	770-201	100
○ white	770-221	100

Lockout cap; for plug; separable; No. of poles: 5

Color	Item No.	PU
● yellow	770-360	100

PU = Packaging Unit; SPU = Subpackaging Unit; Dimensions in mm

Distribution Connector ▶ WINSTA® MIDI ▶ 770 Series

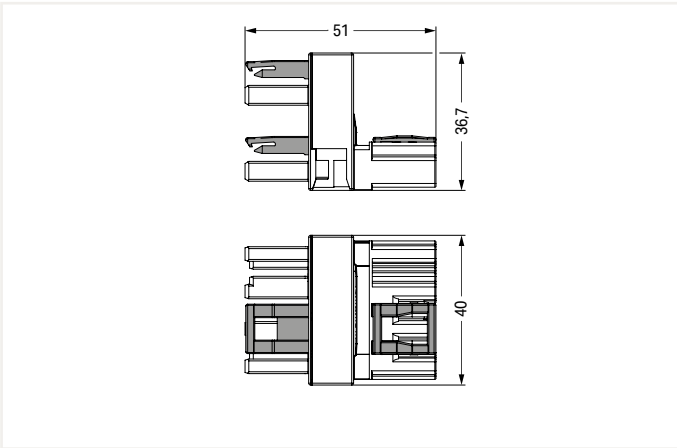
No. of poles: 4

h-distribution connector, unidirectional ▶ Number of locking levers: 3 ▶ for flying leads



Fig. similar

Color	Coding	Marking	Item No.	PU
● black	A	N Ⓞ 2 L 1 L'	770-945	25
○ white	A	N Ⓞ 2 L 1 L'	770-995	25



3

Accessories; for all products on this page



Lockout cap; for socket; separable; No. of poles: 12

Color	Item No.	PU
● black	770-201	100
○ white	770-221	100



Lockout cap; for plug; separable; No. of poles: 5

Color	Item No.	PU
● yellow	770-360	100



Mounting plate; for distribution connector; No. of poles: 4

Color	Item No.	PU
● black	770-624	25
○ white	770-674	25

PU = Packaging Unit; SPU = Subpackaging Unit; Dimensions in mm

Cable Assembly ▶ WINSTA® MIDI ▶ 771 Series

No. of poles: 4 ▶ Protection class: IP20 ▶ 1.5 mm² ▶ Coding: A ▶ Marking: N ⊕ 2|L 1|L' ▶ Cable diameter: 8.4 ... 10.5 mm



- Protected against mismatching and maintenance-free
- Push-in CAGE CLAMP® spring pressure connection technology allows solid conductors to be simply pushed into a unit
- Two-wire connection per pole for loops or bridges
- Additional variable coding is possible

Electrical Data			
Coding	A		
Ratings per	IEC/EN 60664-1		
Overvoltage category	III	III	II
Pollution degree	3	2	2
Rated voltage	400 V	-	-
Rated impulse voltage	6 kV	-	-
Rated current	16 A	-	-
Approvals per	UL 1977		
Rated voltage	600 V		
Rated current	23 A		

Material Data	
Insulating material	Polyamide 66 (PA 66)
Flammability class per UL94	V0
Contact material	Copper or copper alloy, surface-treated
Reaction to fire class per EN 50575	E _{ca}

Mechanical Data	
Mating force of a plug-in connection	approx. 20 ... 70 N (depending on pole number)
Unmating force of a plug-in connection	when unlocked: approx. 20 ... 70 N (depending on pole number)
Retention force of a plug-in connection	when locked: > 80N
Protection class	IP20
Note on protection class	Only in mated condition with strain relief housing (These compact connectors are not designed for use in open, easily accessible areas.)
Mismatching protection	All WINSTA® components are 100 % protected against mismatching in terms of: <ul style="list-style-type: none"> • Plugging a different number of poles • Plugging when rotated by 180° • Plugging when laterally staggered • Plugging one pole

Environmental Requirements	
Processing temperature	-5 ... +40 °C
Continuous operating temperature	-35 ... +85 °C
Note on continuous service temperature	PVC cable for temperatures ≤ 70 °C (including halogen-free) Insulating parts for temperatures ≤ 105 °C

Cables with different fire load are available in the eShop

Application note for the U.S. market (USR): Some versions may also be used for current interruption in accordance with the UL certificate in select applications with currents below 16 A and voltages up to 600 V. For further information, please contact your local sales office.

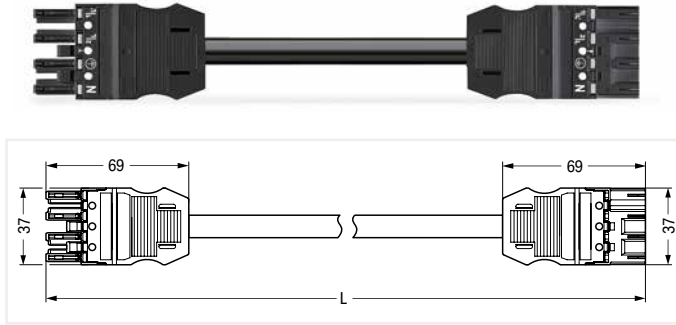
Marking Page 511

Additional information, see "Technical Section"

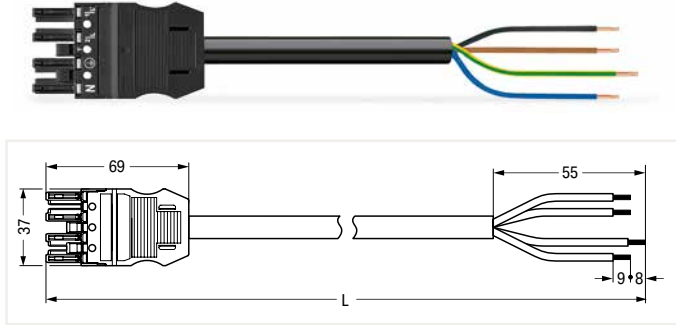
Approvals and corresponding ratings, visit www.wago.com

Cable Assembly ▶ WINSTA® MIDI ▶ 771 Series

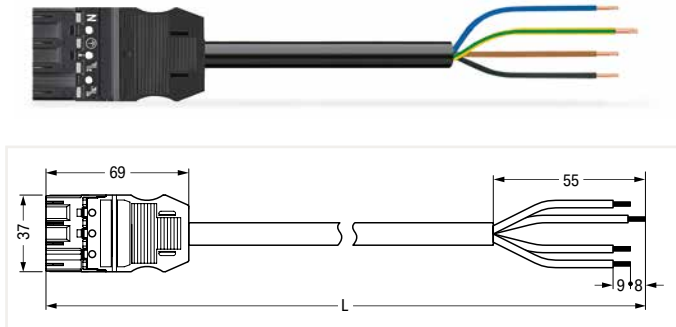
No. of poles: 4 ▶ Protection class: IP20 ▶ 1.5 mm² ▶ Coding: A ▶ Marking: N ⊕ 2|L 1|L' ▶ Cable diameter: 8.4 ... 10.5 mm ▶ PVC ▶ H05VV-F 4G1.5



Interconnecting cable ▶ Socket - Plug			
Total length	Connector color/Strain relief color		PU
	black/black	white/white	
1 m	771-9994/006-101	771-9994/006-102	1
2 m	771-9994/006-201	771-9994/006-202	1
3 m	771-9994/006-301	771-9994/006-302	1
4 m	771-9994/006-401	771-9994/006-402	1
5 m	771-9994/006-501	771-9994/006-502	1
6 m	771-9994/006-601	771-9994/006-602	1
7 m	771-9994/006-701	771-9994/006-702	1
8 m	771-9994/006-801	771-9994/006-802	1



Connecting cable ▶ Socket - Free end ▶ Strip length: 55 mm			
Total length	Connector color/Strain relief color		PU
	black/black	white/white	
1 m	771-9994/106-101	771-9994/106-102	1
2 m	771-9994/106-201	771-9994/106-202	1
3 m	771-9994/106-301	771-9994/106-302	1
4 m	771-9994/106-401	771-9994/106-402	1
5 m	771-9994/106-501	771-9994/106-502	1
6 m	771-9994/106-601	771-9994/106-602	1
7 m	771-9994/106-701	771-9994/106-702	1
8 m	771-9994/106-801	771-9994/106-802	1



Connecting cable ▶ Plug - Free end ▶ Strip length: 55 mm			
Total length	Connector color/Strain relief color		PU
	black/black	white/white	
1 m	771-9994/206-101	771-9994/206-102	1
2 m	771-9994/206-201	771-9994/206-202	1
3 m	771-9994/206-301	771-9994/206-302	1
4 m	771-9994/206-401	771-9994/206-402	1
5 m	771-9994/206-501	771-9994/206-502	1
6 m	771-9994/206-601	771-9994/206-602	1
7 m	771-9994/206-701	771-9994/206-702	1
8 m	771-9994/206-801	771-9994/206-802	1

3

Accessories; for all products on this page



Locking lever, for flying leads; manually operated		
Color	Item No.	PU (SPU)
● black	770-101	100 (25)
○ white	770-121	100 (25)

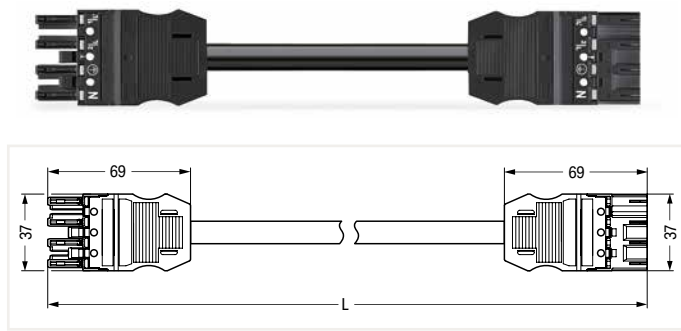
Locking lever, for flying leads; tool operated		
Color	Item No.	PU (SPU)
● black	770-111	100 (25)
○ white	770-131	100 (25)

PU = Packaging Unit; SPU = Subpackaging Unit; Dimensions in mm

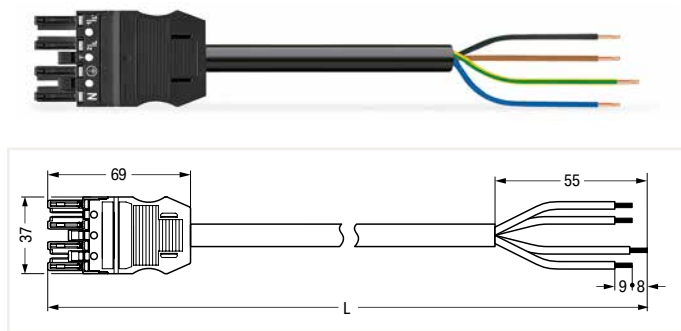
Cable Assembly ▶ WINSTA® MIDI ▶ 771 Series

No. of poles: 4 ▶ Protection class: IP20 ▶ 1.5 mm² ▶ Coding: A ▶ Marking: N ⊕ 2|L 1|L' ▶ Cable diameter: 8.4 ... 10.5 mm ▶ Halogen-free ▶ H05Z1Z1-F 4G1.5

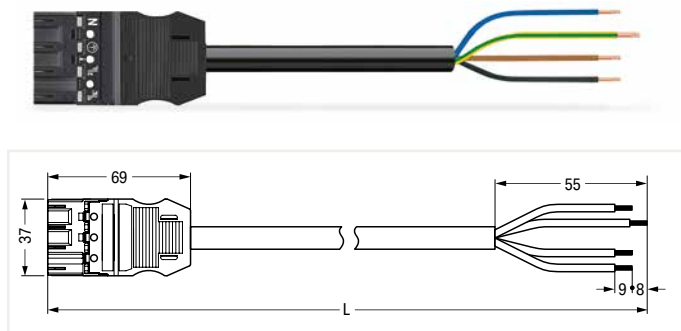
3



Interconnecting cable ▶ Socket - Plug			
Total length	Connector color/Strain relief color		PU
	black/black	white/white	
1 m	771-9994/016-101	771-9994/016-102	1
2 m	771-9994/016-201	771-9994/016-202	1
3 m	771-9994/016-301	771-9994/016-302	1
4 m	771-9994/016-401	771-9994/016-402	1
5 m	771-9994/016-501	771-9994/016-502	1
6 m	771-9994/016-601	771-9994/016-602	1
7 m	771-9994/016-701	771-9994/016-702	1
8 m	771-9994/016-801	771-9994/016-802	1



Connecting cable ▶ Socket - Free end ▶ Strip length: 55 mm			
Total length	Connector color/Strain relief color		PU
	black/black	white/white	
1 m	771-9994/116-101	771-9994/116-102	1
2 m	771-9994/116-201	771-9994/116-202	1
3 m	771-9994/116-301	771-9994/116-302	1
4 m	771-9994/116-401	771-9994/116-402	1
5 m	771-9994/116-501	771-9994/116-502	1
6 m	771-9994/116-601	771-9994/116-602	1
7 m	771-9994/116-701	771-9994/116-702	1
8 m	771-9994/116-801	771-9994/116-802	1



Connecting cable ▶ Plug - Free end ▶ Strip length: 55 mm			
Total length	Connector color/Strain relief color		PU
	black/black	white/white	
1 m	771-9994/216-101	771-9994/216-102	1
2 m	771-9994/216-201	771-9994/216-202	1
3 m	771-9994/216-301		1
4 m	771-9994/216-401	771-9994/216-402	1
5 m	771-9994/216-501	771-9994/216-502	1
6 m	771-9994/216-601	771-9994/216-602	1
7 m	771-9994/216-701	771-9994/216-702	1
8 m	771-9994/216-801	771-9994/216-802	1

Accessories; for all products on this page



Locking lever, for flying leads; manually operated		
Color	Item No.	PU (SPU)
● black	770-101	100 (25)
○ white	770-121	100 (25)

Locking lever, for flying leads; tool operated		
Color	Item No.	PU (SPU)
● black	770-111	100 (25)
○ white	770-131	100 (25)

PU = Packaging Unit; SPU = Subpackaging Unit; Dimensions in mm

Pluggable Connector ▶ WINSTA® MIDI ▶ 770 Series

No. of poles: 5



- Protected against mismatching and maintenance-free
- Push-in CAGE CLAMP® spring pressure connection technology allows solid conductors to be simply pushed into a unit
- Two-wire connection per pole for loops or bridges
- Additional variable coding is possible

Electrical Data						
Coding	A/I/L/P			Q		
Application				for "Clean Earth"		
Ratings per	IEC/EN 60664-1			IEC/EN 60664-1		
Overvoltage category	III	III	II	III	III	II
Pollution degree	3	2	2	3	2	2
Rated voltage	400 V	-	-	400 V	-	-
Rated impulse voltage	6 kV	-	-	6 kV	-	-
Rated current	25 A	-	-	32 A	-	-
Approvals per	UL 1977			UL 1977		
Rated voltage	600 V			600 V		
Rated current	23 A			23 A		

Connection Data	
Connection technology	Push-in CAGE CLAMP®
Strip length	9 mm / 0.35 Inch
Nominal cross section	4 mm ²
Solid conductor	0.5 ... 4 mm ² / 20 ... 12 AWG
Solid conductor, push-in termination	1.5 ... 4 mm ² / 16 ... 12 AWG
Stranded conductor	0.5 ... 2.5 mm ² / 20 ... 14 AWG
Fine-stranded conductor	0.5 ... 4 mm ² / 20 ... 12 AWG
Fine-stranded conductor with ferrule with plastic collar	0.25 ... 1.5 mm ² / 20 ... 16 AWG
Fine-stranded conductor with ferrule without plastic collar	0.25 ... 2.5 mm ² / 20 ... 14 AWG
Fine-stranded conductor with ferrule, push-in termination, from	1.5 mm ² / 16 AWG

Material Data	
Insulating material	Polyamide 66 (PA 66)
Flammability class per UL94	V0
Clamping spring material	Chrome nickel spring steel (CrNi)
Contact material	Copper or copper alloy, surface-treated

Mechanical Data	
Mating force of a plug-in connection	Approx. 20 ... 70 N (depending on pole number)
Unmating force of a plug-in connection	When unlocked: approx. 20 ... 70 N (depending on pole number)
Retention force of a plug-in connection	When locked: > 80 N
Protection class	IP20
Note on protection class	Only in mated condition with strain relief housing (These compact connectors are not designed for use in open, easily accessible areas.)
Mismatching protection	All WINSTA® components are 100 % protected against mismatching in terms of: <ul style="list-style-type: none"> • Plugging a different number of poles • Plugging when rotated by 180° • Plugging when laterally staggered • Plugging one pole

All connectors for mounted installations (snap-in versions for lighting fixtures or devices, all types of PCB and distribution connectors) are factory-equipped with locking levers to ensure plugs and sockets are securely locked. Additional locking levers are only required for flying leads (plug/socket).

Application note for the U.S. market (USR): Some versions may also be used for current interruption in accordance with the UL certificate in select applications with currents below 16 A and voltages up to 600 V. For further information, please contact your local sales office.

Coding	Page 486
Marking	Page 511
Strain relief	Page 493
Tools	Page 506
Additional information, see "Technical Section"	
Approvals and corresponding ratings, visit www.wago.com	

Environmental Requirements	
Processing temperature	-5 ... +40 °C
Continuous operating temperature	-35 ... +85 °C
Note on continuous service temperature	Insulating parts for temperatures ≤ 105 °C

Pluggable Connector ▶ WINSTA® MIDI ▶ 770 Series

No. of poles: 5 ▶ Cable diameter: 9 ... 13 mm

Number of connection points: 2 ▶ Strain relief housing ▶ Female connector/socket ▶ Strip length: 55 mm

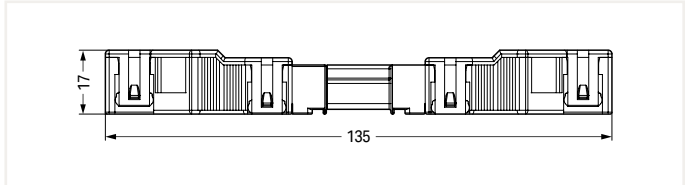
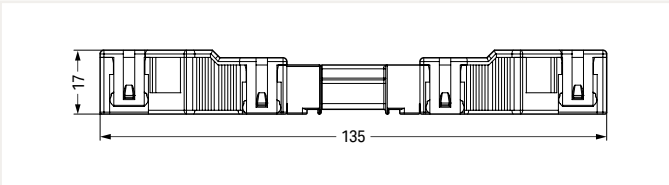
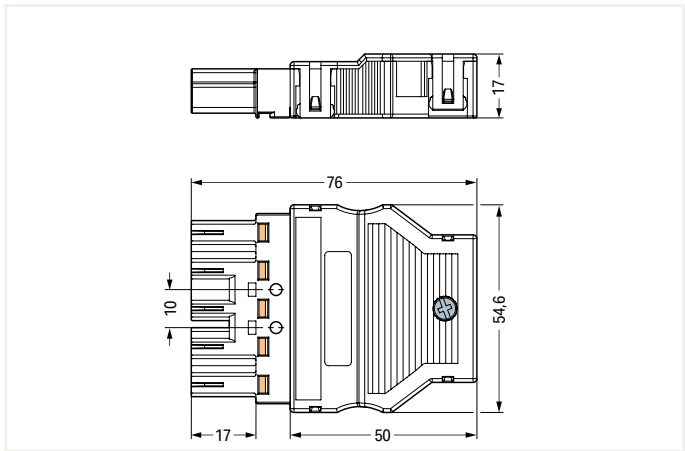
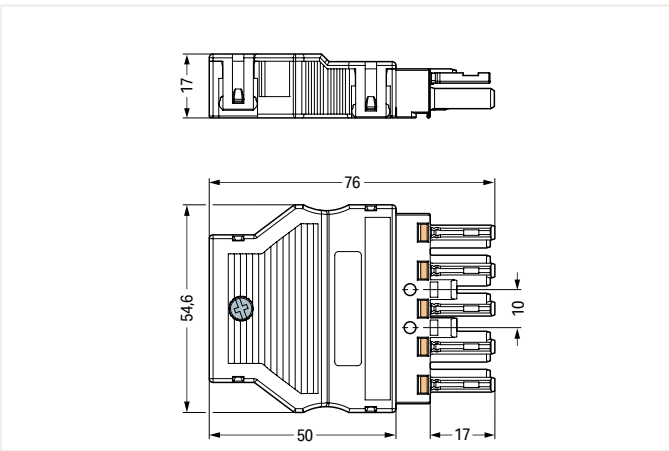
Number of connection points: 2 ▶ Strain relief housing ▶ Male connector/plug ▶ Strip length: 55 mm



Color	Coding	Marking	Item No.	PU
● black	A	N ⊕ L1 L2 L3	770-105	25
○ white	A	N ⊕ L1 L2 L3	770-125	25

Color	Coding	Marking	Item No.	PU
● black	A	N ⊕ L1 L2 L3	770-115	25
○ white	A	N ⊕ L1 L2 L3	770-135	25

3



Overall length when mated

Overall length when mated

Item-Specific Accessories

Item-Specific Accessories



Lockout cap; for socket; separable; No. of poles: 12

Color	Item No.	PU
● black	770-201	100
○ white	770-221	100

Lockout cap; for plug; separable; No. of poles: 5

Color	Item No.	PU
● yellow	770-360	100

Accessories; for all products on this page



Locking lever, for flying leads; manually operated		
Color	Item No.	PU (SPU)
● black	770-101	100 (25)
○ white	770-121	100 (25)

Locking lever, for flying leads; tool operated		
Color	Item No.	PU (SPU)
● black	770-111	100 (25)
○ white	770-131	100 (25)

PU = Packaging Unit; SPU = Subpackaging Unit; Dimensions in mm

Pluggable Connector ▶ WINSTA® MIDI ▶ 770 Series

No. of poles: 5

Number of connection points: 2 ▶ Female connector/socket

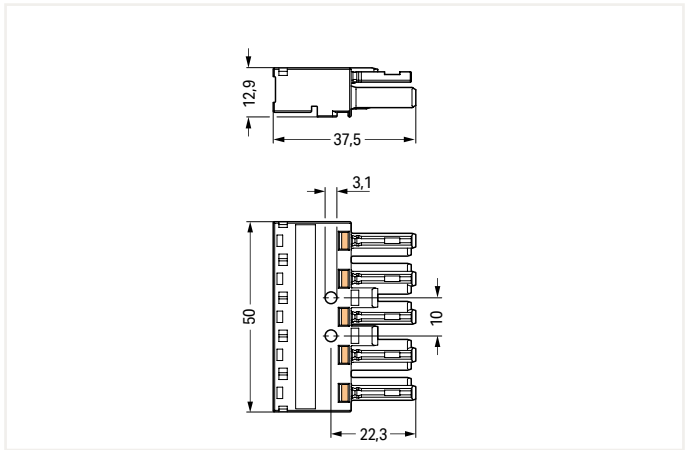
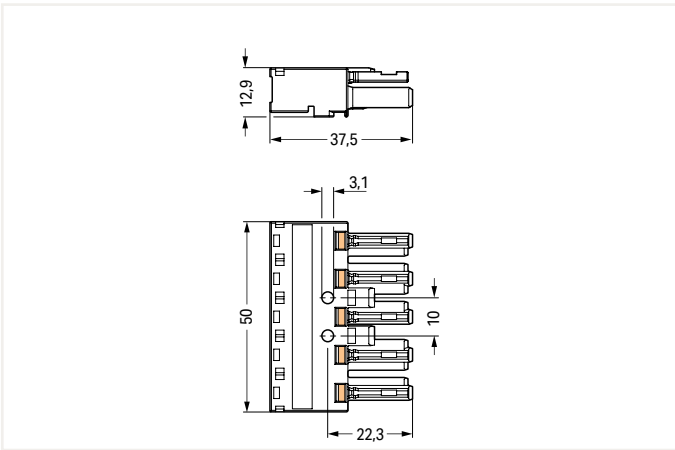
Number of connection points: 2 ▶ Female connector/socket ▶ for "Clean Earth"



3

Color	Coding	Marking	Item No.	PU
● black	A	N ⊕ L1 L2 L3	770-205	50
○ white	A	N ⊕ L1 L2 L3	770-225	50
● blue	I	N ⊕ L DA- DA+	770-1105	50
● dark gray	L	N ⊕ L N' L'	770-1165	50
● red	P	N ⊕ L1 L2 L3	770-1305	50

Color	Coding	Marking	Item No.	PU
● green	Q	N PE1 PE2 PE3 L	770-1325	50



Accessories; for all products on this page



Locking lever, for flying leads; manually operated		
Color	Item No.	PU (SPU)
● black	770-101	100 (25)
○ white	770-121	100 (25)



Locking lever, for flying leads; tool operated		
Color	Item No.	PU (SPU)
● black	770-111	100 (25)
○ white	770-131	100 (25)



Lockout cap; for socket; separable; No. of poles: 12		
Color	Item No.	PU
● black	770-201	100
○ white	770-221	100



Strain relief housing; Connectable sheathed cable diameter: 9 ... 13 mm; Strip length: 55 mm		
Color	Item No.	PU
● black	770-505	25
○ white	770-515	25

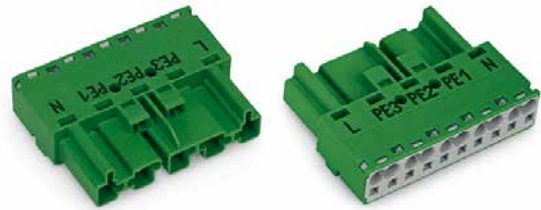
PU = Packaging Unit; SPU = Subpackaging Unit; Dimensions in mm

Pluggable Connector ▶ WINSTA® MIDI ▶ 770 Series

No. of poles: 5

Number of connection points: 2 ▶ Male connector/plug

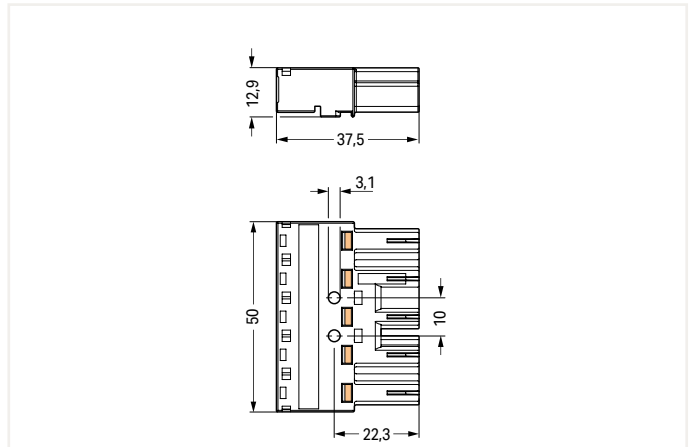
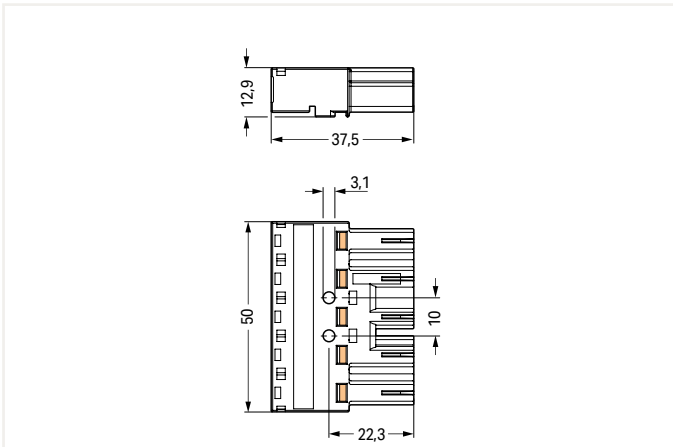
Number of connection points: 2 ▶ Male connector/plug ▶ for "Clean Earth"



Color	Coding	Marking	Item No.	PU
● black	A	N ⊕ L1 L2 L3	770-215	50
○ white	A	N ⊕ L1 L2 L3	770-235	50
● blue	I	N ⊕ L DA- DA+	770-1115	50
● dark gray	L	N ⊕ L N' L'	770-1175	50
● red	P	N ⊕ L1 L2 L3	770-1315	50

Color	Coding	Marking	Item No.	PU
● green	Q	N PE1 PE2 PE3 L	770-1335	50

3



Accessories; for all products on this page



Locking lever, for flying leads; manually operated		
Color	Item No.	PU (SPU)
● black	770-101	100 (25)
○ white	770-121	100 (25)



Locking lever, for flying leads; tool operated		
Color	Item No.	PU (SPU)
● black	770-111	100 (25)
○ white	770-131	100 (25)



Lockout cap; for plug; separable; No. of poles: 5		
Color	Item No.	PU
● yellow	770-360	100



Strain relief housing; Connectable sheathed cable diameter: 9 ... 13 mm; Strip length: 55 mm		
Color	Item No.	PU
● black	770-505	25
○ white	770-515	25

PU = Packaging Unit; SPU = Subpackaging Unit; Dimensions in mm

Pluggable Connector ▶ WINSTA® MIDI ▶ 770 Series

No. of poles: 5 ▶ Cable diameter: 9 ... 13 mm

Number of connection points: 1 ▶ Strain relief housing ▶ Female connector/socket ▶ Strip length: 55 mm

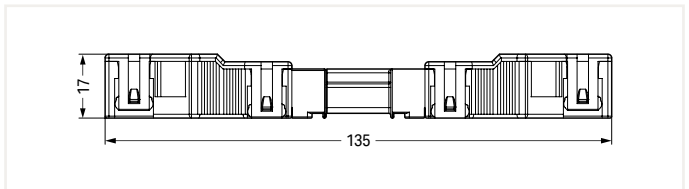
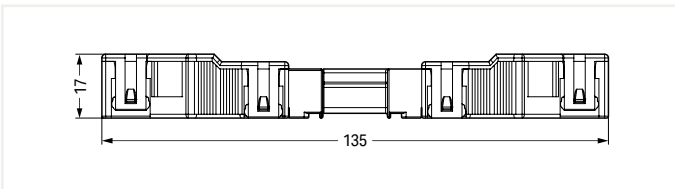
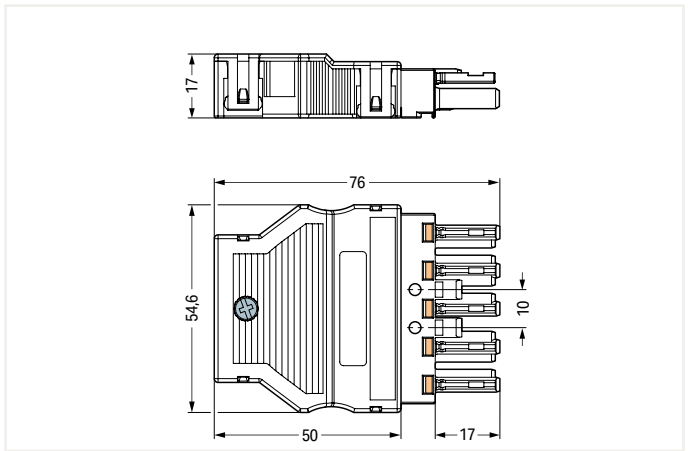
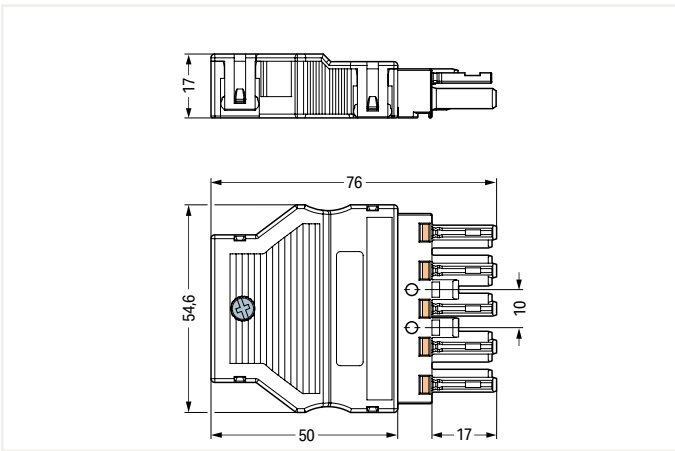
Number of connection points: 1 ▶ Strain relief housing ▶ Male connector/plug ▶ Strip length: 55 mm



3

Color	Coding	Marking	Item No.	PU
● black	A	N ⊕ L1 L2 L3	770-305	25
○ white	A	N ⊕ L1 L2 L3	770-325	25

Color	Coding	Marking	Item No.	PU
● black	A	N ⊕ L1 L2 L3	770-315	25
○ white	A	N ⊕ L1 L2 L3	770-335	25



Overall length when mated

Overall length when mated

Item-Specific Accessories

Item-Specific Accessories



Lockout cap; for socket; separable; No. of poles: 12

Color	Item No.	PU
● black	770-201	100
○ white	770-221	100

Lockout cap; for plug; separable; No. of poles: 5

Color	Item No.	PU
● yellow	770-360	100

Accessories; for all products on this page



Locking lever, for flying leads; manually operated		
Color	Item No.	PU (SPU)
● black	770-101	100 (25)
○ white	770-121	100 (25)

Locking lever, for flying leads; tool operated		
Color	Item No.	PU (SPU)
● black	770-111	100 (25)
○ white	770-131	100 (25)

PU = Packaging Unit; SPU = Subpackaging Unit; Dimensions in mm

Pluggable Connector ▶ WINSTA® MIDI ▶ 770 Series

No. of poles: 5

Number of connection points: 1 ▶ Female connector/socket

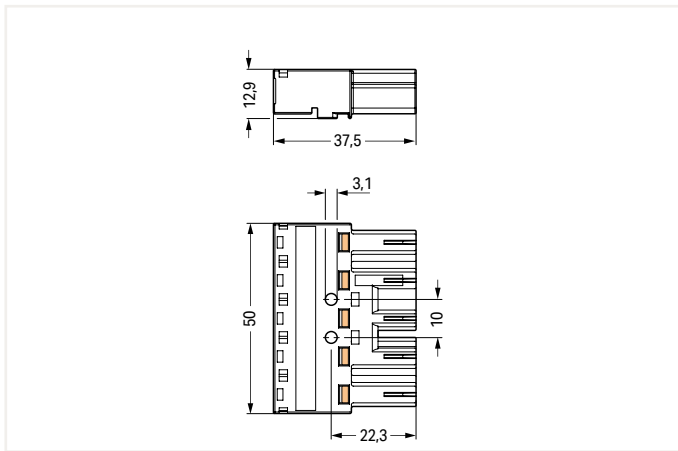
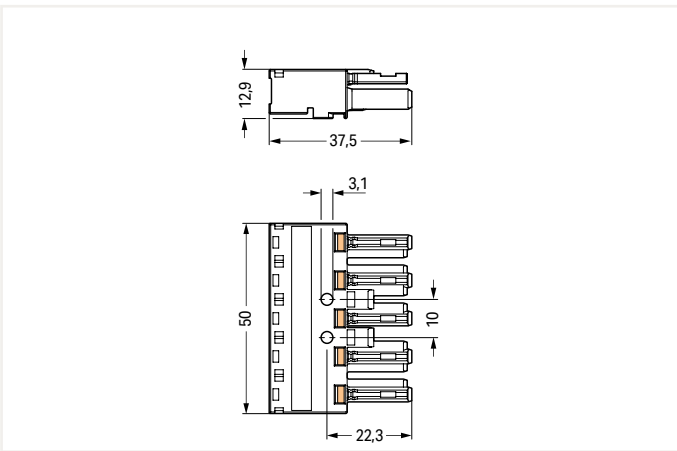
Number of connection points: 1 ▶ Male connector/plug



Color	Coding	Marking	Item No.	PU
● black	A	N ⊕ L1 L2 L3	770-405	50
○ white	A	N ⊕ L1 L2 L3	770-425	50

Color	Coding	Marking	Item No.	PU
● black	A	N ⊕ L1 L2 L3	770-415	50
○ white	A	N ⊕ L1 L2 L3	770-435	50

3



Item-Specific Accessories

Item-Specific Accessories



Lockout cap; for socket; separable; No. of poles: 12

Color	Item No.	PU
● black	770-201	100
○ white	770-221	100

Lockout cap; for plug; separable; No. of poles: 5

Color	Item No.	PU
● yellow	770-360	100

Accessories; for all products on this page



Locking lever, for flying leads; manually operated

Color	Item No.	PU (SPU)
● black	770-101	100 (25)
○ white	770-121	100 (25)

Locking lever, for flying leads; tool operated

Color	Item No.	PU (SPU)
● black	770-111	100 (25)
○ white	770-131	100 (25)

PU = Packaging Unit; SPU = Subpackaging Unit; Dimensions in mm

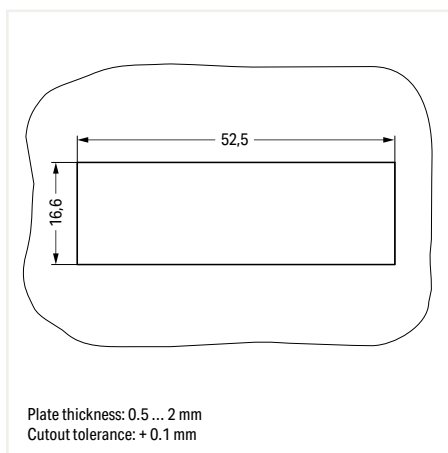
Snap-In Device Connector ▶ WINSTA® MIDI ▶ 770 Series

No. of poles: 5 ▶ Number of connection points: 2



- Protected against mismatching and maintenance-free
- Push-in CAGE CLAMP® spring pressure connection technology allows solid conductors to be simply pushed into a unit
- Two-wire connection per pole for loops or bridges
- Additional variable coding is possible

3



Electrical Data						
Coding	A / I / P			Q		
Application	IEC/EN 60664-1			for „Clean Earth“ IEC/EN 60664-1		
Ratings per	IEC/EN 60664-1			IEC/EN 60664-1		
Overvoltage category	III	III	II	III	III	II
Pollution degree	3	2	2	3	2	2
Rated voltage	400 V	-	-	400 V	-	-
Rated impulse voltage	6 kV	-	-	6 kV	-	-
Rated current	25 A	-	-	32 A	-	-
Approvals per	UL 1977			UL 1977		
Rated voltage	600 V			600 V		
Rated current	23 A			23 A		

Connection Data	
Connection technology	Push-in CAGE CLAMP®
Strip length	9 mm / 0.35 Inch
Nominal cross section	4 mm ²
Solid conductor	0.5 ... 4 mm ² / 20 ... 12 AWG
Solid conductor, push-in termination	1.5 ... 4 mm ² / 16 ... 12 AWG
Stranded conductor	0.5 ... 2.5 mm ² / 20 ... 14 AWG
Fine-stranded conductor	0.5 ... 4 mm ² / 20 ... 12 AWG
Fine-stranded conductor with ferrule with plastic collar	0.25 ... 1.5 mm ² / 20 ... 16 AWG
Fine-stranded conductor with ferrule without plastic collar	0.25 ... 2.5 mm ² / 20 ... 14 AWG
Fine-stranded conductor with ferrule, push-in termination, from	1.5 mm ² / 16 AWG

Material Data	
Insulating material	Polyamide 66 (PA 66)
Flammability class per UL94	V0
Clamping spring material	Chrome nickel spring steel (CrNi)
Contact material	Copper or copper alloy, surface-treated

Mechanical Data	
Mating force of a plug-in connection	Approx. 20 ... 70 N (depending on pole number)
Unmating force of a plug-in connection	When unlocked: approx. 20 ... 70 N (depending on pole number)
Retention force of a plug-in connection	When locked: > 80 N
Protection class	IP20
Note on protection class	Only in mated condition with strain relief housing (These compact connectors are not designed for use in open, easily accessible areas.)
Mismatching protection	All WINSTA® components are 100 % protected against mismatching in terms of: <ul style="list-style-type: none"> • Plugging a different number of poles • Plugging when rotated by 180° • Plugging when laterally staggered • Plugging one pole

Environmental Requirements	
Processing temperature	-5 ... +40 °C
Continuous operating temperature	-35 ... +85 °C
Note on continuous service temperature	Insulating parts for temperatures ≤ 105 °C

All connectors for mounted installations (snap-in versions for lighting fixtures or devices, all types of PCB and distribution connectors) are factory-equipped with locking levers to ensure plugs and sockets are securely locked. Additional locking levers are only required for flying leads (plug/socket).

Application note for the U.S. market (USR): Some versions may also be used for current interruption in accordance with the UL certificate in select applications with currents below 16 A and voltages up to 600 V. For further information, please contact your local sales office.

Tools Page 506

Additional information, see "Technical Section"

Approvals and corresponding ratings, visit www.wago.com

Snap-In Device Connector ▶ WINSTA® MIDI ▶ 770 Series

No. of poles: 5 ▶ Number of connection points: 2

Female connector/socket

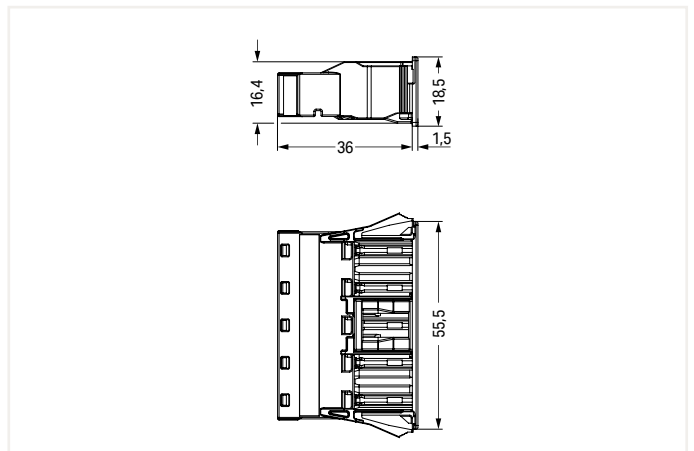
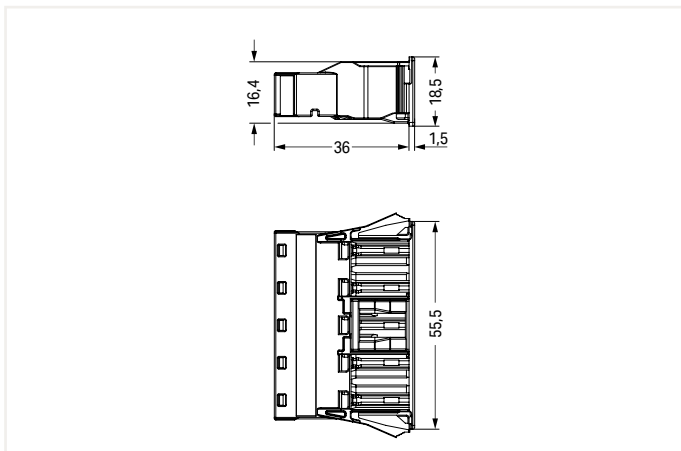
Female connector/socket ▶ for „Clean Earth“



Color	Coding	Marking	Item No.	PU
● black	A	N ⊕ L1 L2 L3	770-705	50
○ white	A	N ⊕ L1 L2 L3	770-725	50
● blue	I	N ⊕ L DA- DA+	770-2105	50
● red	P	N ⊕ L1 L2 L3	770-2305	50

Color	Coding	Marking	Item No.	PU
● green	Q	N PE1 PE2 PE3 L	770-2325	50

3



Accessories; for all products on this page



Lockout cap; for socket; separable; No. of poles: 12		
Color	Item No.	PU
● black	770-201	100
○ white	770-221	100

Lockout cap; for cutout; No. of poles: 5		
Color	Item No.	PU
● black	770-645	100
○ white	770-695	100

PU = Packaging Unit; SPU = Subpackaging Unit; Dimensions in mm

Snap-In Device Connector ▶ WINSTA® MIDI ▶ 770 Series

No. of poles: 5 ▶ Number of connection points: 2

Male connector/plug

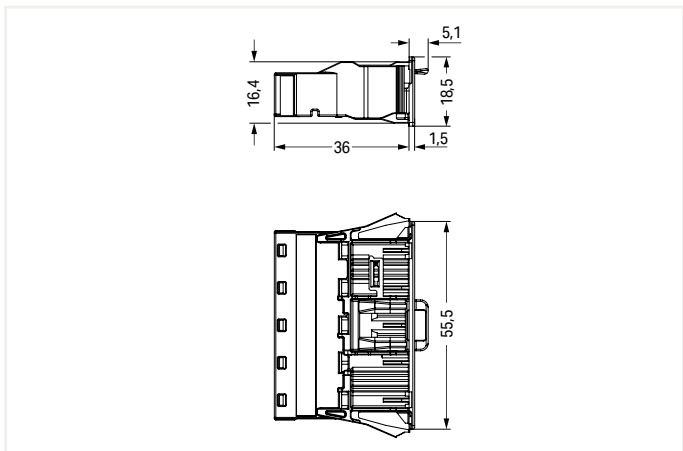
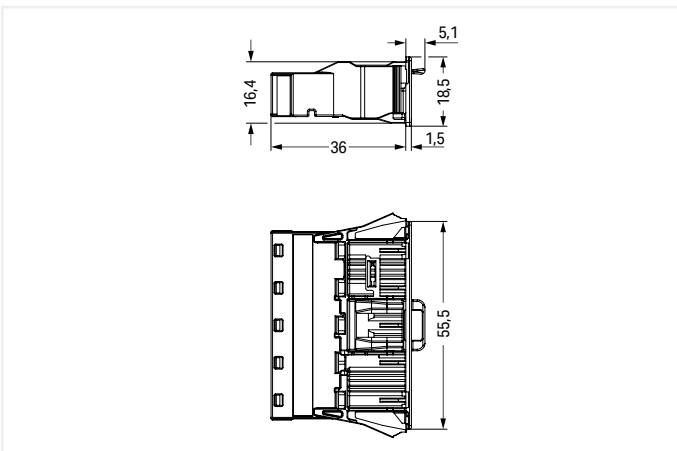
Male connector/plug ▶ for "Clean Earth"



3

Color	Coding	Marking	Item No.	PU
● black	A	N ⊕ L1 L2 L3	770-715	50
○ white	A	N ⊕ L1 L2 L3	770-735	50
● blue	I	N ⊕ L DA- DA+	770-2115	50
● red	P	N ⊕ L1 L2 L3	770-2315	50

Color	Coding	Marking	Item No.	PU
● green	Q	N PE1 PE2 PE3 L	770-2335	50



Accessories; for all products on this page



Lockout cap; for plug; separable; No. of poles: 5		
Color	Item No.	PU
● yellow	770-360	100

Lockout cap; for cutout; No. of poles: 5		
Color	Item No.	PU
● black	770-645	100
○ white	770-695	100

PU = Packaging Unit; SPU = Subpackaging Unit; Dimensions in mm

Snap-In Device Connector ▶ WINSTA® MIDI ▶ 770 Series

No. of poles: 5 ▶ Number of connection points: 2

With protruding interface ▶ Female connector/socket



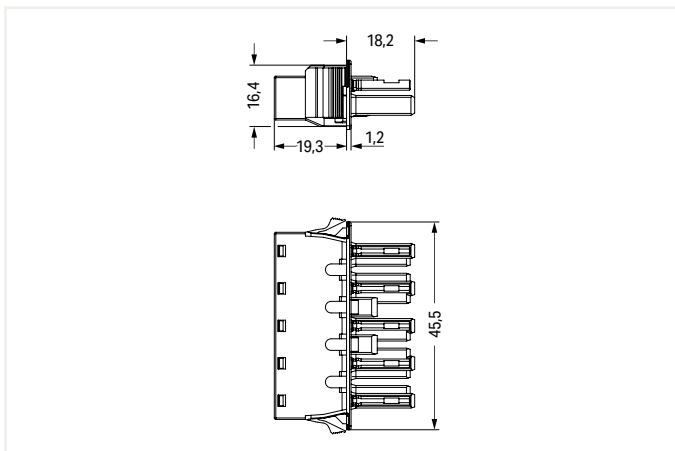
With direct ground contact ▶ Male connector/plug



Color	Coding	Marking	Item No.	PU
● black	A	N ⊕ L1 L2 L3	770-705/009-000	50
○ white	A	N ⊕ L1 L2 L3	770-725/009-000	50

Color	Coding	Marking	Item No.	PU
● black	A	N ⊕ L1 L2 L3	770-715/007-000	50
○ white	A	N ⊕ L1 L2 L3	770-735/007-000	50
● blue	I	N ⊕ L DA- DA+	770-2115/007-000	50

3

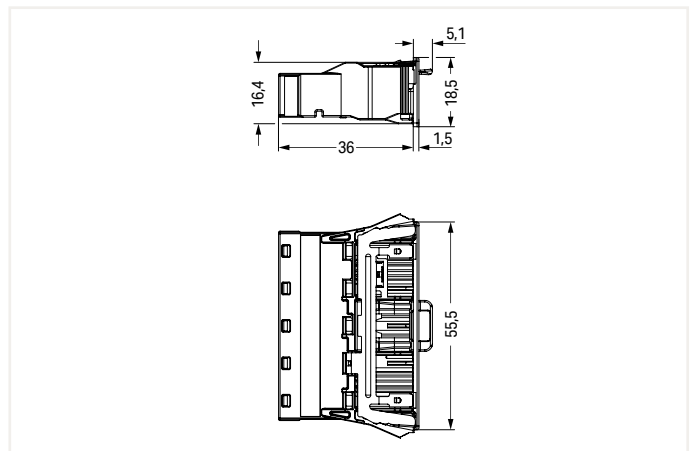


Item-Specific Accessories



Lockout cap; for socket; separable; No. of poles: 12

Color	Item No.	PU
● black	770-201	100
○ white	770-221	100



Item-Specific Accessories



Lockout cap; for plug; separable; No. of poles: 5

Color	Item No.	PU
● yellow	770-360	100

Accessories; for all products on this page



Lockout cap; for cutout; No. of poles: 5

Color	Item No.	PU
● black	770-645	100
○ white	770-695	100

PU = Packaging Unit; SPU = Subpackaging Unit; Dimensions in mm

Snap-In Device Connector ▶ WINSTA® MIDI ▶ 770 Series

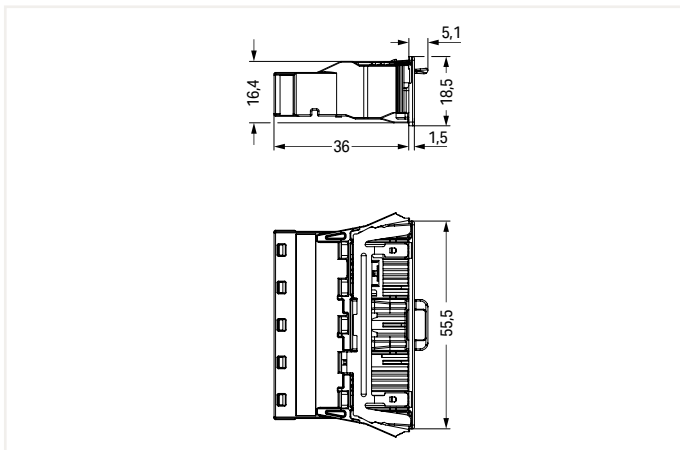
No. of poles: 5 ▶ Number of connection points: 2

With direct ground contact ▶ Male connector/plug ▶ for "Clean Earth"



3

Color	Coding	Marking	Item No.	PU
● green	Q	N PE1 PE2 PE3 L	770-2335/007-000	50



Accessories; for all products on this page



Lockout cap; for plug; separable; No. of poles: 5		
Color	Item No.	PU
● yellow	770-360	100

Lockout cap; for cutout; No. of poles: 5		
Color	Item No.	PU
● black	770-645	100
○ white	770-695	100

PU = Packaging Unit; SPU = Subpackaging Unit; Dimensions in mm

Pluggable PCB Connector ▶ WINSTA® MIDI ▶ 770 Series

No. of poles: 5



- Protected against mismatching and maintenance-free
- Push-in CAGE CLAMP® spring pressure connection technology allows solid conductors to be simply pushed into a unit
- Two-wire connection per pole for loops or bridges
- Additional variable coding is possible

Electrical Data			
Coding	A / I		
Ratings per	IEC/EN 60664-1		
Overvoltage category	III	III	II
Pollution degree	3	2	2
Rated voltage	400 V	-	-
Rated impulse voltage	6 kV	-	-
Rated current	25 A	-	-
Approvals per	UL 1977		
Rated voltage	600 V		
Rated current	23 A		

Material Data	
Insulating material	Polyamide 66 (PA 66)
Flammability class per UL94	V0
Contact material	Copper or copper alloy, surface-treated

Mechanical Data	
Solder pin arrangement	2 in-line solder pins/pole
Solder pin length	3.5 mm
Solder pin dimensions	1 x 0.8 mm
Drilled hole diameter (tolerance)	1.5 ^(+0.1) mm
Mating force of a plug-in connection	Approx. 20 ... 70 N (depending on pole number)
Unmating force of a plug-in connection	When unlocked: approx. 20 ... 70 N (depending on pole number)
Retention force of a plug-in connection	When locked: > 80 N
Protection class	IP20
Note on protection class	Only in mated condition with strain relief housing (These compact connectors are not designed for use in open, easily accessible areas.)
Mismatching protection	All WINSTA® components are 100 % protected against mismatching in terms of: <ul style="list-style-type: none"> • Plugging a different number of poles • Plugging when rotated by 180° • Plugging when laterally staggered • Plugging one pole

Environmental Requirements	
Processing temperature	-5 ... +40 °C
Continuous operating temperature	-35 ... +85 °C
Note on continuous service temperature	Insulating parts for temperatures ≤ 105 °C

All connectors for mounted installations (snap-in versions for lighting fixtures or devices, all types of PCB and distribution connectors) are factory-equipped with locking levers to ensure plugs and sockets are securely locked. Additional locking levers are only required for flying leads (plug/socket).

Application note for the U.S. market (USR): Some versions may also be used for current interruption in accordance with the UL certificate in select applications with currents below 16 A and voltages up to 600 V. For further information, please contact your local sales office.

Coding Page 486

Additional information, see "Technical Section"

Approvals and corresponding ratings, visit www.wago.com

Pluggable PCB Connector ▶ WINSTA® MIDI ▶ 770 Series

No. of poles: 5

Straight ▶ Female connector/socket

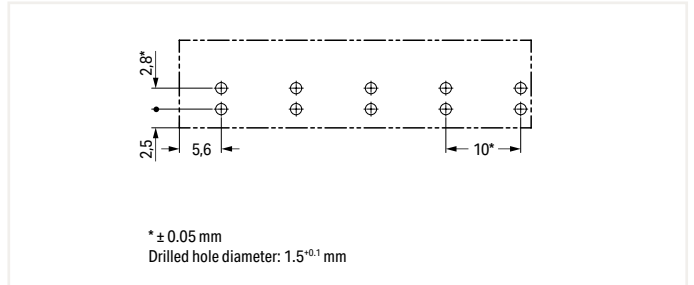
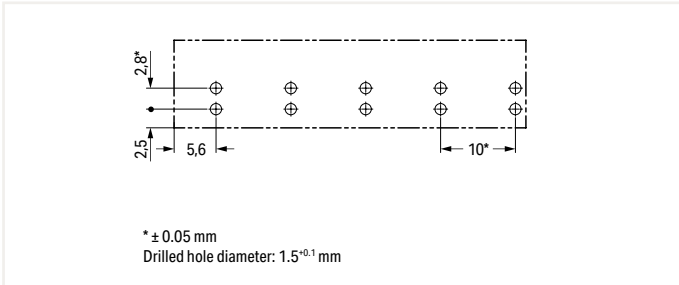
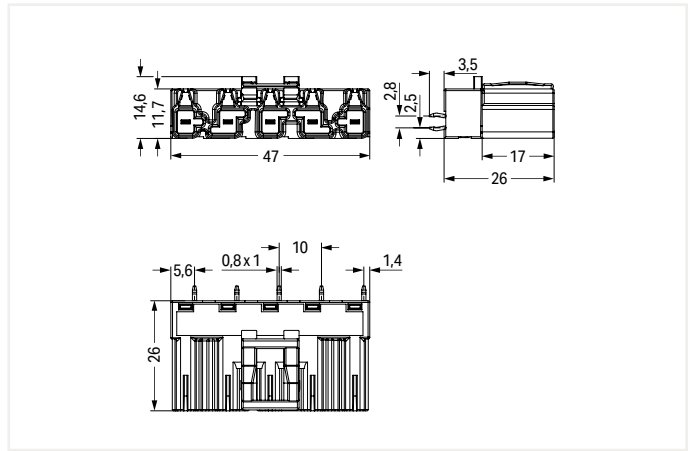
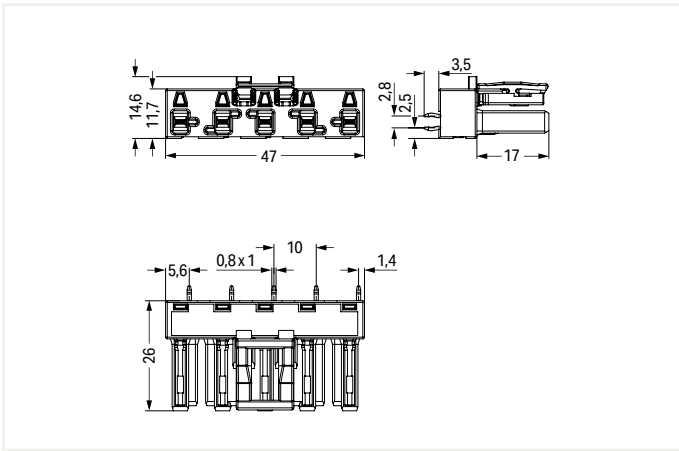
Straight ▶ Male connector/plug



Color	Coding	Marking	Item No.	PU
● black	A	N ⊕ L1 L2 L3	770-805	50
○ white	A	N ⊕ L1 L2 L3	770-825	50
● blue	I	N ⊕ L DA- DA+	770-3105	50

Color	Coding	Marking	Item No.	PU
● black	A	N ⊕ L1 L2 L3	770-815	50
○ white	A	N ⊕ L1 L2 L3	770-835	50
● blue	I	N ⊕ L DA- DA+	770-3115	50

3



Item-Specific Accessories



Lockout cap; for socket; separable; No. of poles: 12

Color	Item No.	PU
● black	770-201	100
○ white	770-221	100



Lockout cap; for plug; separable; No. of poles: 5

Color	Item No.	PU
● yellow	770-360	100

Pluggable PCB Connector ▶ WINSTA® MIDI ▶ 770 Series

No. of poles: 5

Angled ▶ Female connector/socket

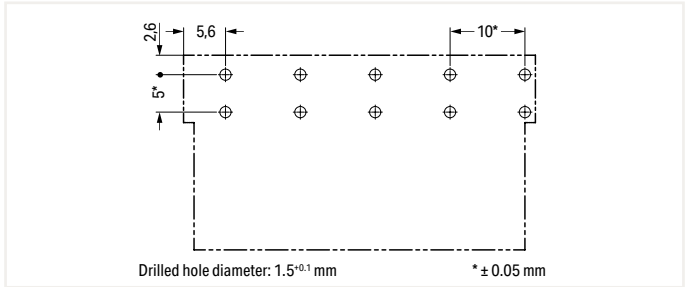
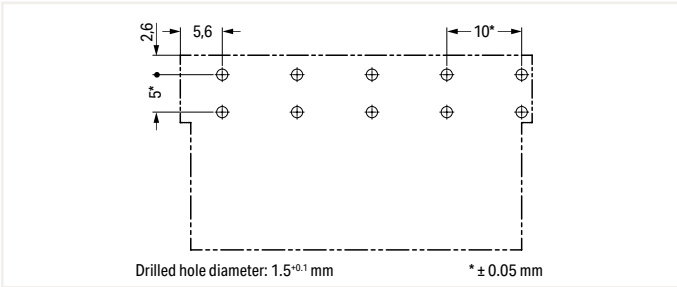
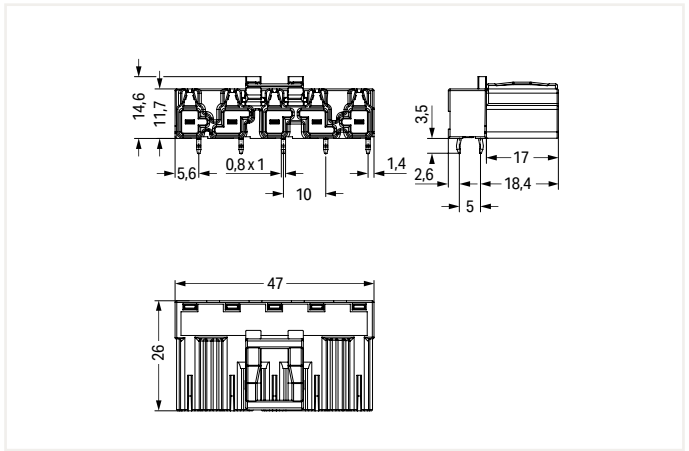
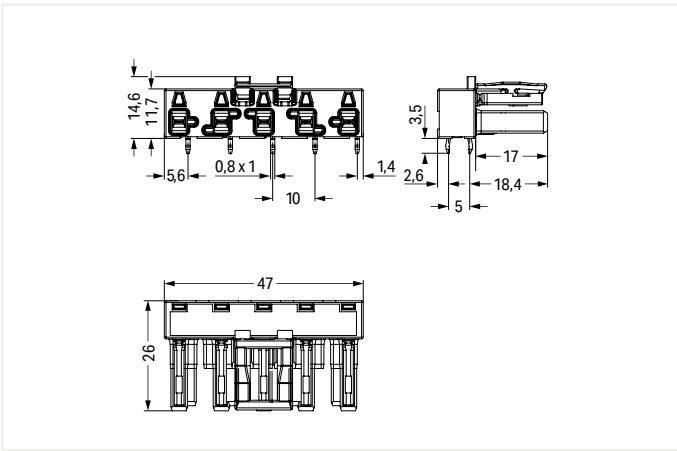
Angled ▶ Male connector/plug



3

Color	Coding	Marking	Item No.	PU
● black	A	N ⊕ L1 L2 L3	770-805/011-000	50
○ white	A	N ⊕ L1 L2 L3	770-825/011-000	50
● blue	I	N ⊕ L DA- DA+	770-3105/011-000	50

Color	Coding	Marking	Item No.	PU
● black	A	N ⊕ L1 L2 L3	770-815/011-000	50
○ white	A	N ⊕ L1 L2 L3	770-835/011-000	50
● blue	I	N ⊕ L DA- DA+	770-3115/011-000	50



Item-Specific Accessories

Item-Specific Accessories



Lockout cap; for socket; separable; No. of poles: 12

Color	Item No.	PU
● black	770-201	100
○ white	770-221	100

Lockout cap; for plug; separable; No. of poles: 5

Color	Item No.	PU
● yellow	770-360	100

PU = Packaging Unit; SPU = Subpackaging Unit; Dimensions in mm

Distribution Connector ▶ WINSTA® MIDI ▶ 770 Series

No. of poles: 5



- Protected against mismatching and maintenance-free
- Push-in CAGE CLAMP® spring pressure connection technology allows solid conductors to be simply pushed into a unit
- Two-wire connection per pole for loops or bridges
- Additional variable coding is possible

3

Electrical Data			
Coding	A / I / P		
Ratings per	IEC/EN 60664-1		
Overvoltage category	III	III	II
Pollution degree	3	2	2
Rated voltage	400 V	-	-
Rated impulse voltage	6 kV	-	-
Rated current	25 A	-	-
Approvals per	UL 1977		
Rated voltage	600 V		
Rated current	23 A		

Material Data	
Insulating material	Polyamide 66 (PA 66)
Flammability class per UL94	V0
Contact material	Copper or copper alloy, surface-treated

Mechanical Data	
Mating force of a plug-in connection	Approx. 20 ... 70 N (depending on pole number)
Unmating force of a plug-in connection	When unlocked: approx. 20 ... 70 N (depending on pole number)
Retention force of a plug-in connection	When locked: > 80 N
Protection class	IP20
Note on protection class	Only in mated condition (These compact connectors are not designed for use in open, easily accessible areas.)
Mismatching protection	All WINSTA® components are 100 % protected against mismatching in terms of: <ul style="list-style-type: none"> • Plugging a different number of poles • Plugging when rotated by 180° • Plugging when laterally staggered • Plugging one pole

Environmental Requirements	
Processing temperature	-5 ... +40 °C
Continuous operating temperature	-35 ... +85 °C
Note on continuous service temperature	Insulating parts for temperatures ≤ 105 °C

All connectors for mounted installations (snap-in versions for lighting fixtures or devices, all types of PCB and distribution connectors) are factory-equipped with locking levers to ensure plugs and sockets are securely locked. Additional locking levers are only required for flying leads (plug/socket).

Application note for the U.S. market (USR): Some versions may also be used for current interruption in accordance with the UL certificate in select applications with currents below 16 A and voltages up to 600 V. For further information, please contact your local sales office.

Tools Page 506

Additional information, see "Technical Section"

Approvals and corresponding ratings, visit www.wago.com

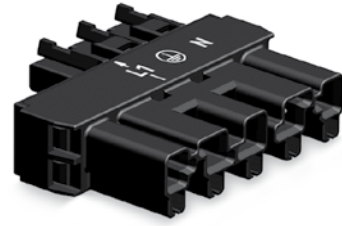
Distribution Connector ▶ WINSTA® MIDI ▶ 770 Series

No. of poles: 5

Intermediate coupler



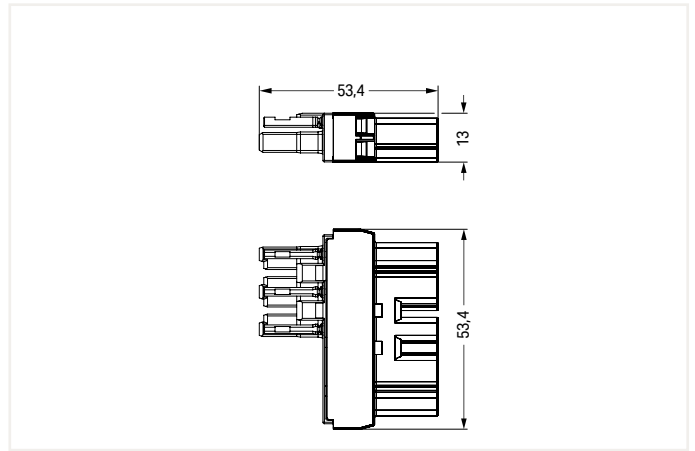
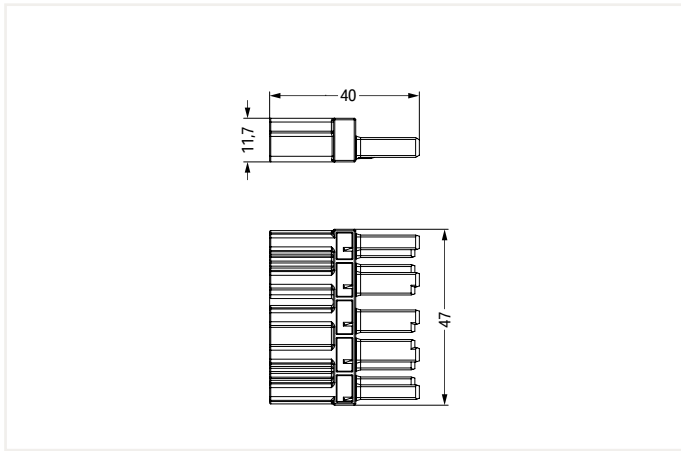
Intermediate coupler ▶ 5- to 3-pole; L1 - L



Color	Coding	Aufdruck	Item No.	PU
● black	A		770-605	100
○ white	A		770-655	100
● blue	I		770-619	100

Color	Coding	Aufdruck	Item No.	PU
● black	A	L1 ⊕ N	770-901	50
○ white	A	L1 ⊕ N	770-951	50
● red	P	L1 ⊕ N	770-911	50

3



Accessories; for all products on this page



Lockout cap; for socket; separable; No. of poles: 12		
Color	Item No.	PU
● black	770-201	100
○ white	770-221	100

Lockout cap; for plug; separable; No. of poles: 5		
Color	Item No.	PU
● yellow	770-360	100

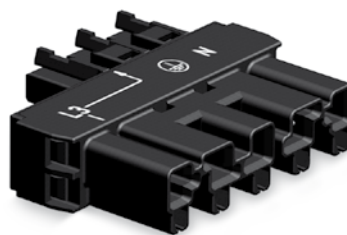
PU = Packaging Unit; SPU = Subpackaging Unit; Dimensions in mm

Distribution Connector ▶ WINSTA® MIDI ▶ 770 Series

No. of poles: 5

Intermediate coupler ▶ 5- to 3-pole; L2 - L

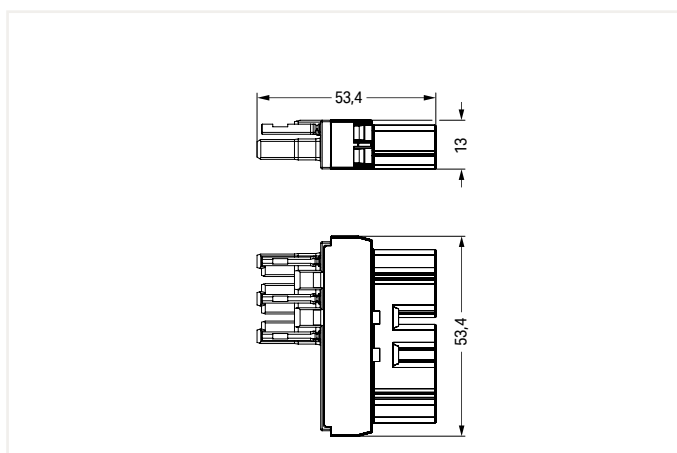
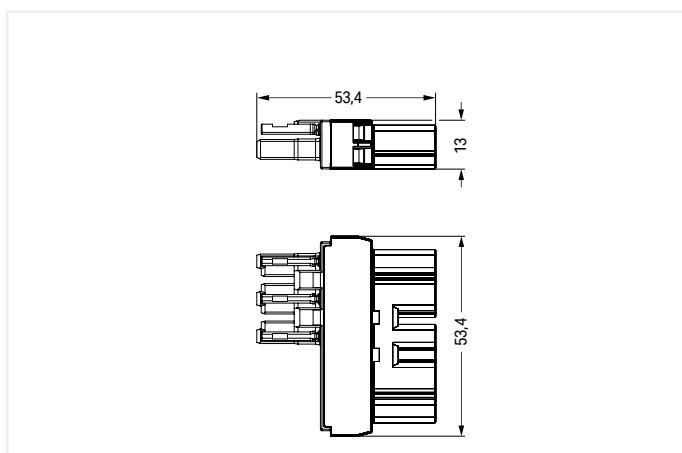
Intermediate coupler ▶ 5- to 3-pole; L3 - L



3

Color	Coding	Aufdruck	Item No.	PU
● black	A	L2 ⊕ N	770-902	50
○ white	A	L2 ⊕ N	770-952	50
● red	P	L2 ⊕ N	770-912	50

Color	Coding	Aufdruck	Item No.	PU
● black	A	L3 ⊕ N	770-903	50
○ white	A	L3 ⊕ N	770-953	50
● red	P	L3 ⊕ N	770-913	50



Accessories; for all products on this page



Lockout cap; for socket; separable; No. of poles: 12		
Color	Item No.	PU
● black	770-201	100
○ white	770-221	100

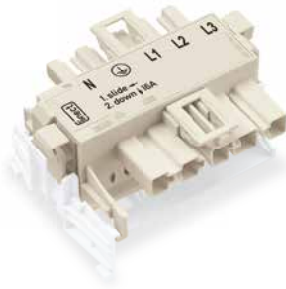
Lockout cap; for plug; separable; No. of poles: 5		
Color	Item No.	PU
● yellow	770-360	100

PU = Packaging Unit; SPU = Subpackaging Unit; Dimensions in mm

Distribution Connector ▶ WINSTA® MIDI ▶ 770 Series

No. of poles: 5

Linect® T-connector



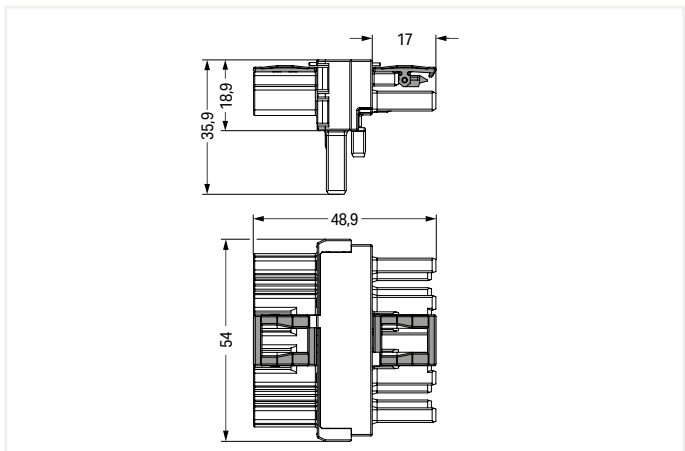
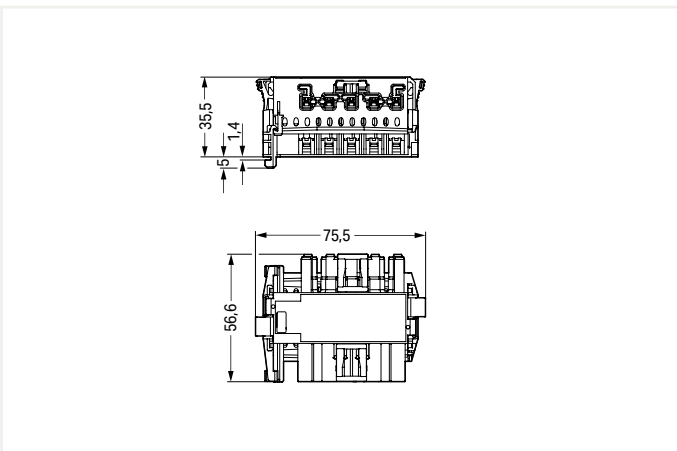
T-distribution connector ▶ Number of locking levers: 2



Color	Coding	Marking	Item No.	PU
○ white	A	N ⊕ L1 L2 L3	770-6225	20
● blue	I	N ⊕ L DA- DA+	770-7105	20
● dark gray	L	N ⊕ L N' L'	770-7505	20

Color	Coding	Marking	Item No.	PU
● black	A	N ⊕ L1 L2 L3	770-621	50
○ white	A	N ⊕ L1 L2 L3	770-671	50
● blue	I	N ⊕ L DA- DA+	770-617	50
● red	P	N ⊕ L1 L2 L3	770-921	50

3



Item-Specific Accessories



Mounting adapter; for T-distribution connector; for 2- to 5-pole

Item No.	PU
770-354	50

Accessories; for all products on this page



Lockout cap; for socket; separable; No. of poles: 12		
Color	Item No.	PU
● black	770-201	100
○ white	770-221	100

Lockout cap; for plug; separable; No. of poles: 5		
Color	Item No.	PU
● yellow	770-360	100

PU = Packaging Unit; SPU = Subpackaging Unit; Dimensions in mm

Distribution Connector ▶ WINSTA® MIDI ▶ 770 Series

No. of poles: 5

T-distribution connector ▶ Number of locking levers: 3

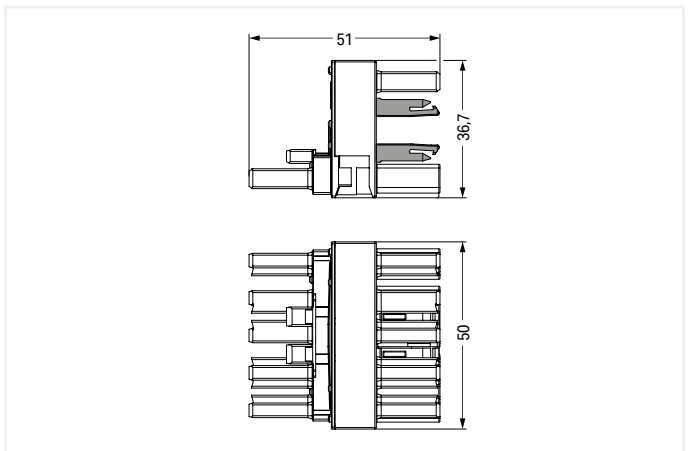
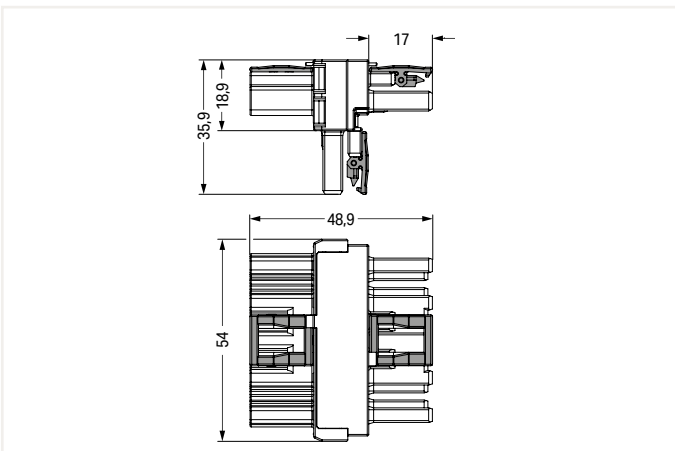
h-distribution connector, bi-directional ▶ Number of locking levers: 2



Fig. similar

Color	Coding	Marking	Item No.	PU
● black	A	N ⊕ L1 L2 L3	770-622	50
○ white	A	N ⊕ L1 L2 L3	770-672	50
● blue	I	N ⊕ L DA- DA+	770-620	50
● red	P	N ⊕ L1 L2 L3	770-922	50

Color	Coding	Marking	Item No.	PU
● blue	I	N ⊕ L DA- DA+	770-992	25



Item-Specific Accessories



Mounting adapter; for T-distribution connector; for 2- to 5-pole

Item No.	PU
770-354	50



Mounting plate; for distribution connector; No. of poles: 5

Color	Item No.	PU
● black	770-625	25
○ white	770-675	25

Accessories; for all products on this page



Lockout cap; for socket; separable; No. of poles: 12

Color	Item No.	PU
● black	770-201	100
○ white	770-221	100



Lockout cap; for plug; separable; No. of poles: 5

Color	Item No.	PU
● yellow	770-360	100

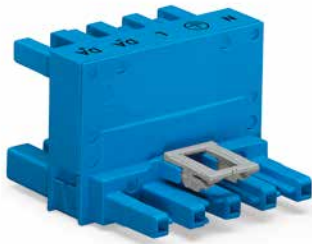
PU = Packaging Unit; SPU = Subpackaging Unit; Dimensions in mm

Distribution Connector ▶ WINSTA® MIDI ▶ 770 Series

No. of poles: 5

h-distribution connector, bi-directional ▶ Number of locking levers: 3 ▶ for flying leads

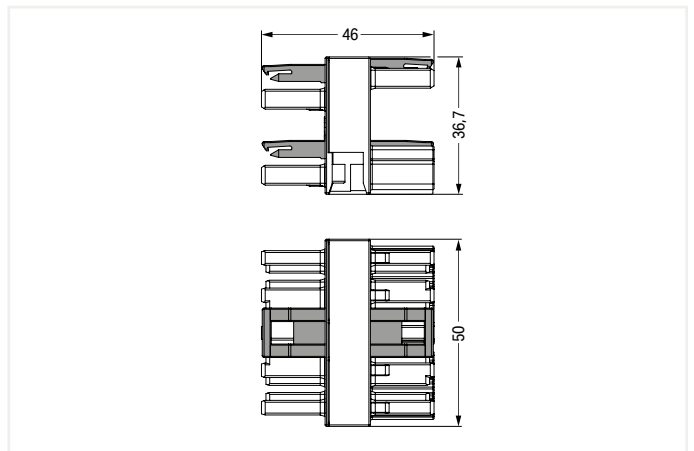
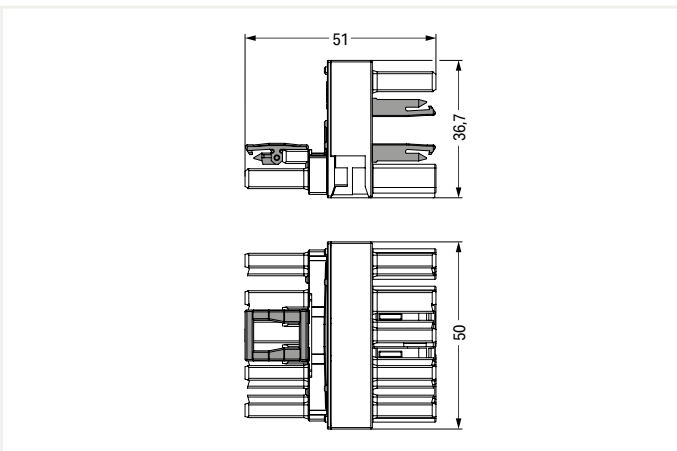
Distribution connector, 3-way



Color	Coding	Marking	Item No.	PU
● blue	I	N ⊕ L DA- DA+	770-993	25

Color	Coding	Marking	Item No.	PU
● black	A	N ⊕ L1 L2 L3	770-609	25
○ white	A	N ⊕ L1 L2 L3	770-659	25
● blue	I	N ⊕ L DA- DA+	770-618	25
● red	P	N ⊕ L1 L2 L3	770-909	25

3



Accessories; for all products on this page



Lockout cap; for socket; separable; No. of poles: 12

Color	Item No.	PU
● black	770-201	100
○ white	770-221	100

Lockout cap; for plug; separable; No. of poles: 5

Color	Item No.	PU
● yellow	770-360	100

Mounting plate; for distribution connector; No. of poles: 5

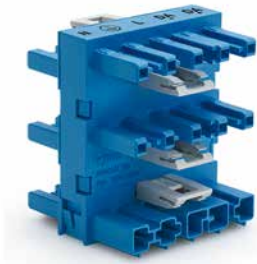
Color	Item No.	PU
● black	770-625	25
○ white	770-675	25

PU = Packaging Unit; SPU = Subpackaging Unit; Dimensions in mm

Distribution Connector ▶ WINSTA® MIDI ▶ 770 Series

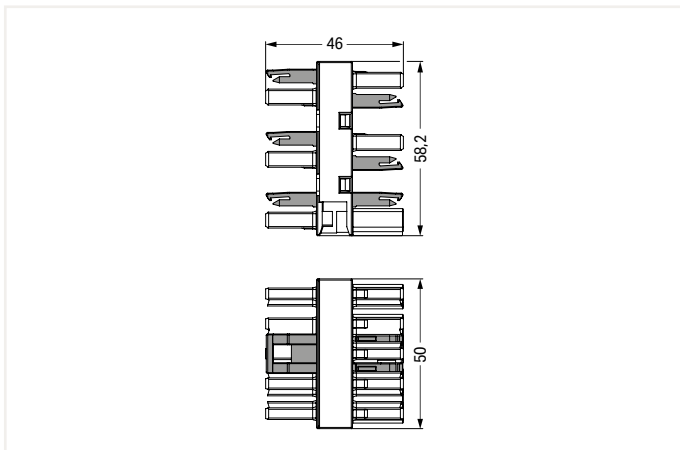
No. of poles: 5

Distribution connector, 5-way



3

Color	Coding	Marking	Item No.	PU
● blue	I	N ⊕ LDA- DA+	770-1947	20



Accessories; for all products on this page



Lockout cap; for socket; separable; No. of poles: 12

Color	Item No.	PU
● black	770-201	100
○ white	770-221	100



Lockout cap; for plug; separable; No. of poles: 5

Color	Item No.	PU
● yellow	770-360	100



Mounting plate; for distribution connector; No. of poles: 5

Color	Item No.	PU
● black	770-625	25
○ white	770-675	25

PU = Packaging Unit; SPU = Subpackaging Unit; Dimensions in mm

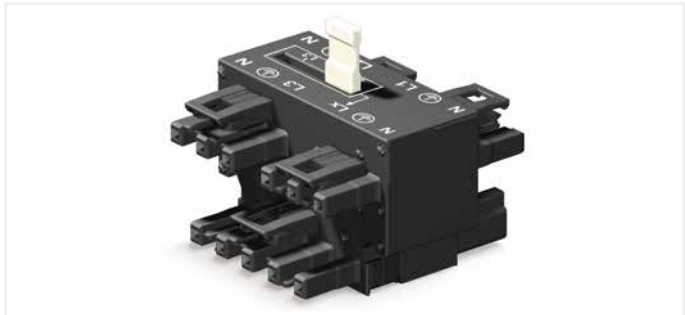
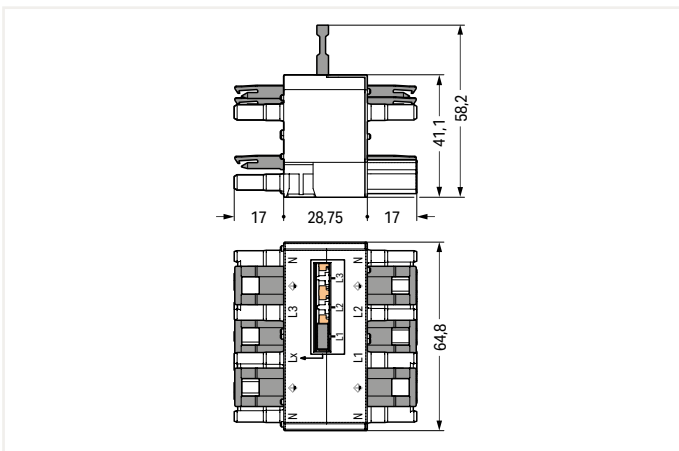
Distribution Connector ▶ WINSTA® MIDI ▶ 770 Series

No. of poles: 5

Three-phase to single-phase distribution connector



Color	Coding	Aufdruck	Item No.	PU
● black	A		770-640	10
○ white	A		770-690	10
● red	P		770-940	10



Movable jumper



Jumper pushed down, flush with the housing (position L1)



An additional h-distribution connector doubles L1.
This results in the following connection options:
L1/L1/L2/L2/L3 with jumper in position L2
L1/L1/L2/L3/L3 with jumper in position L3

3

Accessories; for all products on this page



Lockout cap; for socket; separable; No. of poles: 12		
Color	Item No.	PU
● black	770-201	100
○ white	770-221	100



Lockout cap; for plug; separable; No. of poles: 5		
Color	Item No.	PU
● yellow	770-360	100



Mounting plate; for distribution connector; No. of poles: 5		
Color	Item No.	PU
● black	770-625	25
○ white	770-675	25

PU = Packaging Unit; SPU = Subpackaging Unit; Dimensions in mm

Distribution Connector ▶ WINSTA® MIDI ▶ 770 Series

No. of poles: 5

Three-phase to single-phase distribution connector



Additional h-distribution connectors double L1 and L3.

This results in the following connection option:

L1/L1/L2/L2/L3/L3 with jumper in position L2

Notice: h-distribution connectors can only be plugged on L1 and L3.

3

Distribution Connector ▶ WINSTA® MIDI ▶ 770 Series

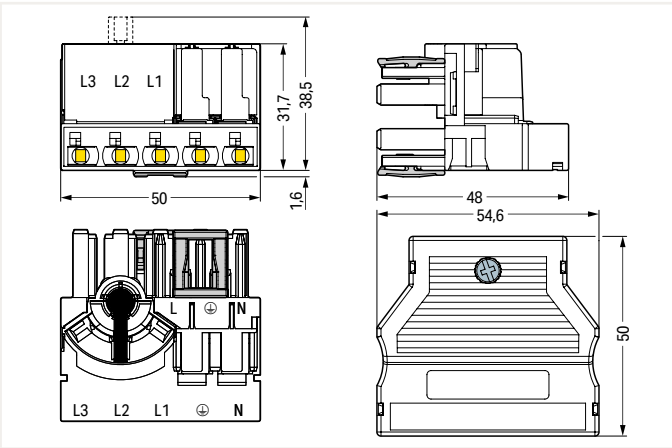
No. of poles: 5

Distribution connector with phase selection



Lift jumper out of delivery position (L2) using a screwdriver and move it into the desired position.

Color	Coding	Marking	Item No.	PU
● black	A	N ⊕ L1 L2 L3	770-611	10
○ white	A	N ⊕ L1 L2 L3	770-661	10



Push down jumper in its new position (picture shows L3).



The 5-pole energy circuit can be extended using pluggable cable assemblies.



Plugging a 3-pole tap-off cable.

Accessories; for all products on this page



Lockout cap; for socket; separable; No. of poles: 12		
Color	Item No.	PU
● black	770-201	100
○ white	770-221	100



Lockout cap; for plug; separable; No. of poles: 5		
Color	Item No.	PU
● yellow	770-360	100



Mounting plate; for distribution connector; No. of poles: 5		
Color	Item No.	PU
● black	770-625	25
○ white	770-675	25

PU = Packaging Unit; SPU = Subpackaging Unit; Dimensions in mm

Cable Assembly ▶ WINSTA® MIDI ▶ 771 Series

No. of poles: 5 ▶ Protection class: IP20



- Protected against mismatching and maintenance-free
- Push-in CAGE CLAMP® spring pressure connection technology allows solid conductors to be simply pushed into a unit
- Two-wire connection per pole for loops or bridges
- Additional variable coding is possible

3

Electrical Data									
Coding	A/I/L/P 1.5 mm ²			A/I/L/P 2.5 mm ²			A 4 mm ²		
Cross section of single conductor	IEC/EN 60664-1			IEC/EN 60664-1			IEC/EN 60664-1		
Ratings per	III	III	II	III	III	II	III	III	II
Overtoltage category	3	2	2	3	2	2	3	2	2
Pollution degree	3	2	2	3	2	2	3	2	2
Rated voltage	400 V	-	-	400 V	-	-	400 V	-	-
Rated impulse voltage	6 kV	-	-	6 kV	-	-	6 kV	-	-
Rated current	16 A	-	-	20 A	-	-	25 A	-	-
Approvals per	UL 1977			UL 1977			UL 1977		
Rated voltage	600 V			600 V			600 V		
Rated current	23 A			23 A			23 A		

Material Data	
Insulating material	Polyamide 66 (PA 66)
Flammability class per UL94	V0
Contact material	Copper or copper alloy, surface-treated
Reaction to fire class per EN 50575	E _{ca}

Mechanical Data	
Mating force of a plug-in connection	approx. 20 ... 70 N (depending on pole number)
Unmating force of a plug-in connection	when unlocked: approx. 20 ... 70 N (depending on pole number)
Retention force of a plug-in connection	when locked: > 80N
Protection class	IP20
Note on protection class	Only in mated condition with strain relief housing (These compact connectors are not designed for use in open, easily accessible areas.)
Mismatching protection	All WINSTA® components are 100 % protected against mismatching in terms of: <ul style="list-style-type: none"> • Plugging a different number of poles • Plugging when rotated by 180° • Plugging when laterally staggered • Plugging one pole

Environmental Requirements	
Processing temperature	-5 ... +40 °C
Continuous operating temperature	-35 ... +85 °C
Note on continuous service temperature	PVC cable for temperatures ≤ 70 °C (including halogen-free) Insulating parts for temperatures ≤ 105 °C

Cables with different fire load are available in the eShop

Application note for the U.S. market (USR): Some versions may also be used for current interruption in accordance with the UL certificate in select applications with currents below 16 A and voltages up to 600 V. For further information, please contact your local sales office.

Marking Page 511

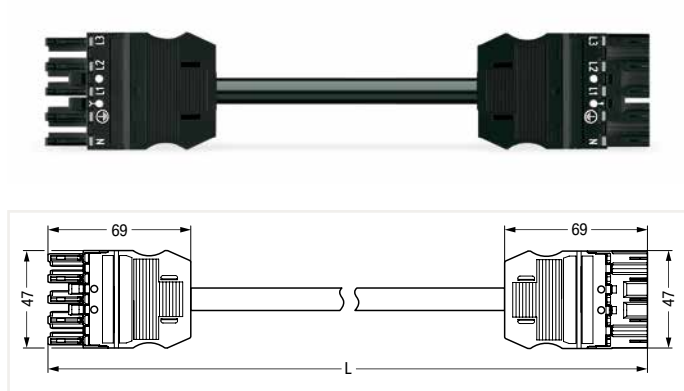
Additional information, see "Technical Section"

Approvals and corresponding ratings, visit www.wago.com

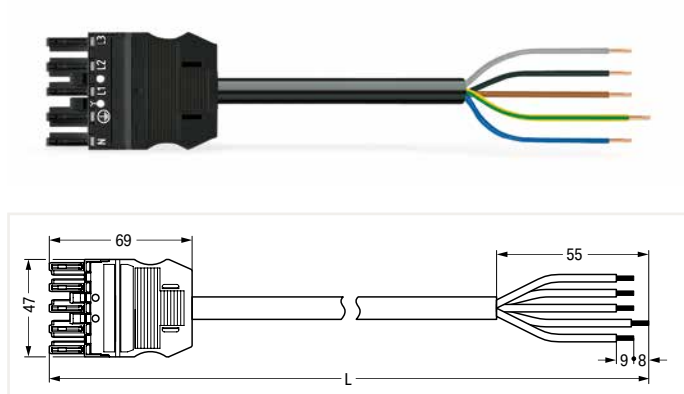
Cable Assembly ▶ WINSTA® MIDI ▶ 771 Series

No. of poles: 5 ▶ Protection class: IP20 ▶ 1.5 mm² ▶ Coding: A ▶ Marking: N ⊕ L1 L2 L3 ▶ PVC ▶

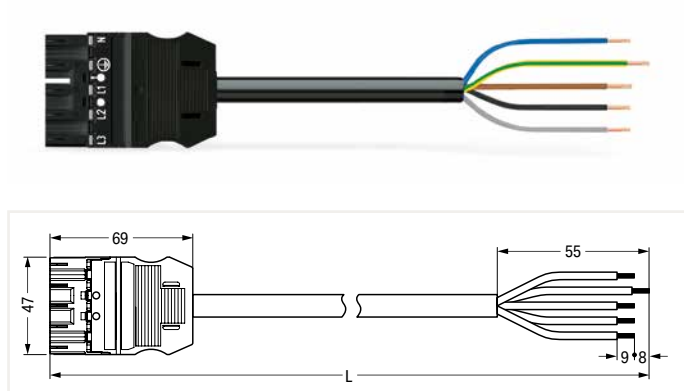
Cable diameter: 9.3 ... 11.6 mm ▶ H05VV-F 5G1.5



Total length	Connector color/Strain relief color		PU
	black/black	white/white	
1 m	771-9995/006-101	771-9995/006-102	1
2 m	771-9995/006-201	771-9995/006-202	1
3 m	771-9995/006-301	771-9995/006-302	1
4 m	771-9995/006-401	771-9995/006-402	1
5 m	771-9995/006-501	771-9995/006-502	1
6 m	771-9995/006-601	771-9995/006-602	1
7 m	771-9995/006-701	771-9995/006-702	1
8 m	771-9995/006-801	771-9995/006-802	1



Total length	Connector color/Strain relief color		PU
	black/black	white/white	
1 m	771-9995/106-101	771-9995/106-102	1
2 m	771-9995/106-201	771-9995/106-202	1
3 m	771-9995/106-301	771-9995/106-302	1
4 m	771-9995/106-401	771-9995/106-402	1
5 m	771-9995/106-501	771-9995/106-502	1
6 m	771-9995/106-601	771-9995/106-602	1
7 m	771-9995/106-701	771-9995/106-702	1
8 m	771-9995/106-801	771-9995/106-802	1



Total length	Connector color/Strain relief color		PU
	black/black	white/white	
1 m	771-9995/206-101	771-9995/206-102	1
2 m	771-9995/206-201	771-9995/206-202	1
3 m	771-9995/206-301	771-9995/206-302	1
4 m	771-9995/206-401	771-9995/206-402	1
5 m	771-9995/206-501	771-9995/206-502	1
6 m	771-9995/206-601	771-9995/206-602	1
7 m	771-9995/206-701	771-9995/206-702	1
8 m	771-9995/206-801	771-9995/206-802	1

3

Accessories; for all products on this page



Locking lever, for flying leads; manually operated		
Color	Item No.	PU (SPU)
● black	770-101	100 (25)
○ white	770-121	100 (25)

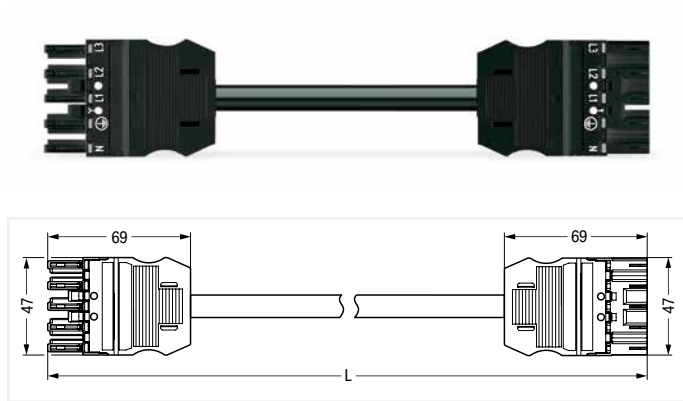
Locking lever, for flying leads; tool operated		
Color	Item No.	PU (SPU)
● black	770-111	100 (25)
○ white	770-131	100 (25)

PU = Packaging Unit; SPU = Subpackaging Unit; Dimensions in mm

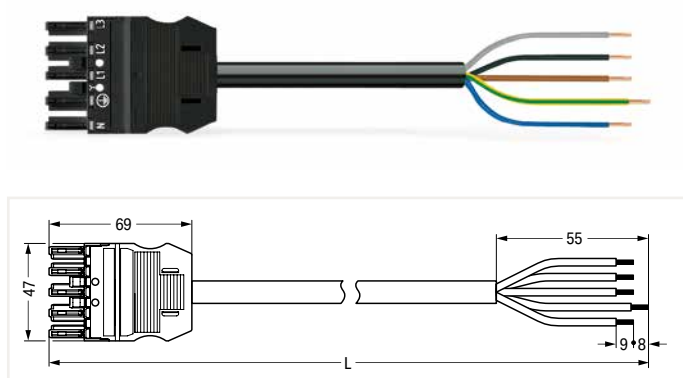
Cable Assembly ▶ WINSTA® MIDI ▶ 771 Series

No. of poles: 5 ▶ Protection class: IP20 ▶ 1.5 mm² ▶ Coding: A ▶ Marking: N ⊕ L1 L2 L3 ▶ Halogen-free ▶ Cable diameter: 9.3 ... 11.6 mm ▶ H05Z1Z1-F 5G1.5

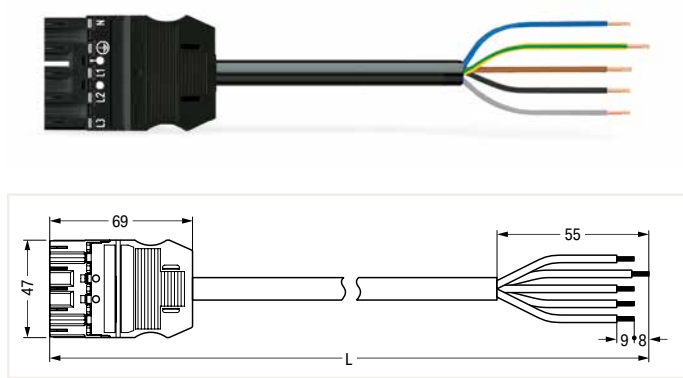
3



Total length	Connector color/Strain relief color		PU
	black/black	white/white	
1 m	771-9995/016-101	771-9995/016-102	1
2 m	771-9995/016-201	771-9995/016-202	1
3 m	771-9995/016-301	771-9995/016-302	1
4 m	771-9995/016-401	771-9995/016-402	1
5 m	771-9995/016-501	771-9995/016-502	1
6 m	771-9995/016-601	771-9995/016-602	1
7 m	771-9995/016-701	771-9995/016-702	1
8 m	771-9995/016-801	771-9995/016-802	1



Total length	Connector color/Strain relief color		PU
	black/black	white/white	
1 m	771-9995/116-101	771-9995/116-102	1
2 m	771-9995/116-201	771-9995/116-202	1
3 m	771-9995/116-301	771-9995/116-302	1
4 m	771-9995/116-401	771-9995/116-402	1
5 m	771-9995/116-501	771-9995/116-502	1
6 m	771-9995/116-601	771-9995/116-602	1
7 m	771-9995/116-701	771-9995/116-702	1
8 m	771-9995/116-801	771-9995/116-802	1



Total length	Connector color/Strain relief color		PU
	black/black	white/white	
1 m	771-9995/216-101	771-9995/216-102	1
2 m	771-9995/216-201	771-9995/216-202	1
3 m	771-9995/216-301	771-9995/216-302	1
4 m	771-9995/216-401	771-9995/216-402	1
5 m	771-9995/216-501	771-9995/216-502	1
6 m	771-9995/216-601	771-9995/216-602	1
7 m	771-9995/216-701	771-9995/216-702	1
8 m	771-9995/216-801	771-9995/216-802	1

Accessories; for all products on this page



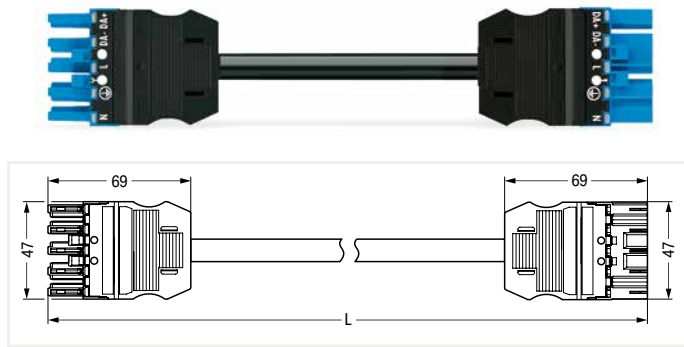
Locking lever, for flying leads; manually operated		
Color	Item No.	PU (SPU)
● black	770-101	100 (25)
○ white	770-121	100 (25)

Locking lever, for flying leads; tool operated		
Color	Item No.	PU (SPU)
● black	770-111	100 (25)
○ white	770-131	100 (25)

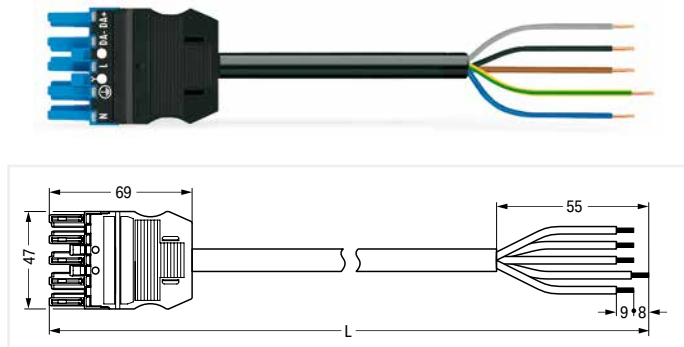
PU = Packaging Unit; SPU = Subpackaging Unit; Dimensions in mm

Cable Assembly ▶ WINSTA® MIDI ▶ 771 Series

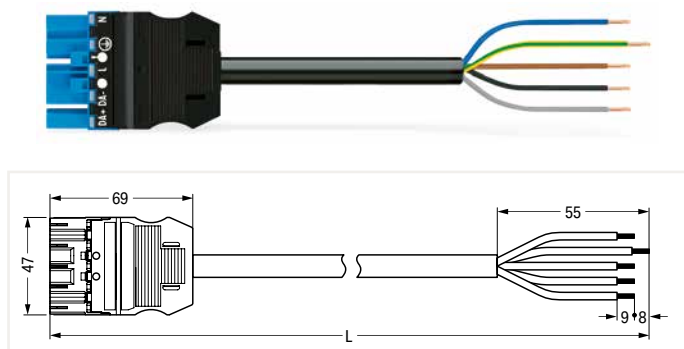
No. of poles: 5 ▶ Protection class: IP20 ▶ 1.5 mm² ▶ Coding: I ▶ Marking: N ⊕ L DA- DA+ ▶ PVC ▶ Cable diameter: 9.3 ... 11.6 mm ▶ H05VV-F 5G1.5 ▶ for dimming function (e.g., DALI)



Total length	Connector color/Strain relief color		PU
	blue/black	blue/white	
1 m	771-9985/006-101	771-9985/006-102	1
2 m	771-9985/006-201	771-9985/006-202	1
3 m	771-9985/006-301	771-9985/006-302	1
4 m	771-9985/006-401	771-9985/006-402	1
5 m	771-9985/006-501	771-9985/006-502	1
6 m	771-9985/006-601	771-9985/006-602	1
7 m	771-9985/006-701	771-9985/006-702	1
8 m	771-9985/006-801	771-9985/006-802	1



Total length	Connector color/Strain relief color		PU
	blue/black	blue/white	
1 m	771-9985/106-101	771-9985/106-102	1
2 m	771-9985/106-201	771-9985/106-202	1
3 m	771-9985/106-301	771-9985/106-302	1
4 m	771-9985/106-401	771-9985/106-402	1
5 m	771-9985/106-501	771-9985/106-502	1
6 m	771-9985/106-601	771-9985/106-602	1
7 m	771-9985/106-701	771-9985/106-702	1
8 m	771-9985/106-801	771-9985/106-802	1



Total length	Connector color/Strain relief color		PU
	blue/black	blue/white	
1 m	771-9985/206-101	771-9985/206-102	1
2 m	771-9985/206-201	771-9985/206-202	1
3 m	771-9985/206-301	771-9985/206-302	1
4 m	771-9985/206-401	771-9985/206-402	1
5 m	771-9985/206-501	771-9985/206-502	1
6 m	771-9985/206-601	771-9985/206-602	1
7 m	771-9985/206-701	771-9985/206-702	1
8 m	771-9985/206-801	771-9985/206-802	1

3

Accessories; for all products on this page



Locking lever, for flying leads; manually operated		
Color	Item No.	PU (SPU)
● black	770-101	100 (25)
○ white	770-121	100 (25)

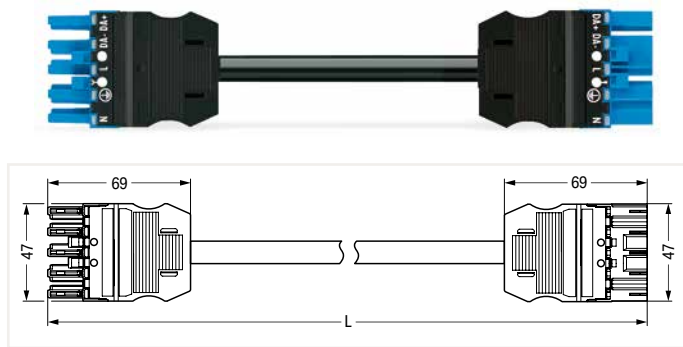
Locking lever, for flying leads; tool operated		
Color	Item No.	PU (SPU)
● black	770-111	100 (25)
○ white	770-131	100 (25)

PU = Packaging Unit; SPU = Subpackaging Unit; Dimensions in mm

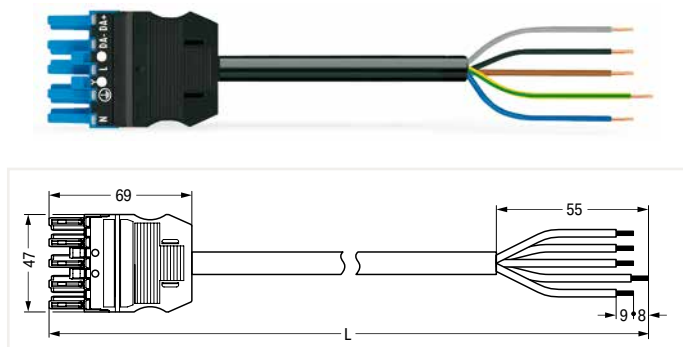
Cable Assembly ▶ WINSTA® MIDI ▶ 771 Series

No. of poles: 5 ▶ Protection class: IP20 ▶ 1.5 mm² ▶ Coding: I ▶ Marking: N ⊕ L DA- DA+ ▶ Halogen-free ▶ Cable diameter: 9.3 ... 11.6 mm ▶ H05Z1Z1-F 5G1.5 ▶ for dimming function (e.g., DALI)

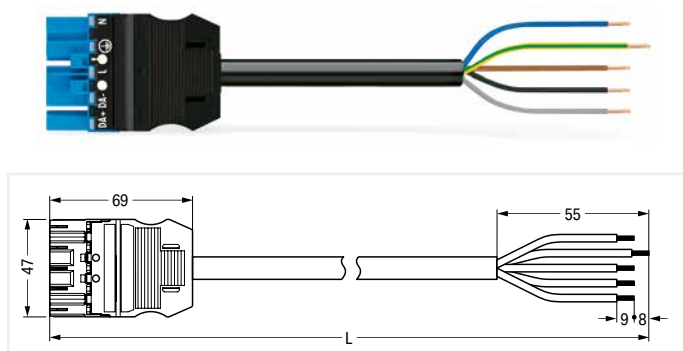
3



Total length	Connector color/Strain relief color		PU
	blue/black	blue/white	
1 m	771-9985/016-101	771-9985/016-102	1
2 m	771-9985/016-201	771-9985/016-202	1
3 m	771-9985/016-301	771-9985/016-302	1
4 m	771-9985/016-401	771-9985/016-402	1
5 m	771-9985/016-501	771-9985/016-502	1
6 m	771-9985/016-601	771-9985/016-602	1
7 m	771-9985/016-701	771-9985/016-702	1
8 m	771-9985/016-801	771-9985/016-802	1



Total length	Connector color/Strain relief color		PU
	blue/black	blue/white	
1 m	771-9985/116-101	771-9985/116-102	1
2 m	771-9985/116-201	771-9985/116-202	1
3 m	771-9985/116-301	771-9985/116-302	1
4 m	771-9985/116-401	771-9985/116-402	1
5 m	771-9985/116-501	771-9985/116-502	1
6 m	771-9985/116-601	771-9985/116-602	1
7 m	771-9985/116-701	771-9985/116-702	1
8 m	771-9985/116-801	771-9985/116-802	1



Total length	Connector color/Strain relief color		PU
	blue/black	blue/white	
1 m	771-9985/216-101	771-9985/216-102	1
2 m	771-9985/216-201	771-9985/216-202	1
3 m	771-9985/216-301	771-9985/216-302	1
4 m	771-9985/216-401	771-9985/216-402	1
5 m	771-9985/216-501	771-9985/216-502	1
6 m	771-9985/216-601	771-9985/216-602	1
7 m	771-9985/216-701	771-9985/216-702	1
8 m	771-9985/216-801	771-9985/216-802	1

Accessories; for all products on this page



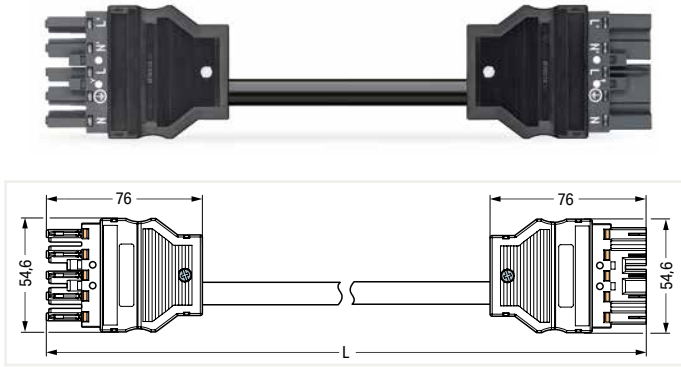
Locking lever, for flying leads; manually operated		
Color	Item No.	PU (SPU)
● black	770-101	100 (25)
○ white	770-121	100 (25)

Locking lever, for flying leads; tool operated		
Color	Item No.	PU (SPU)
● black	770-111	100 (25)
○ white	770-131	100 (25)

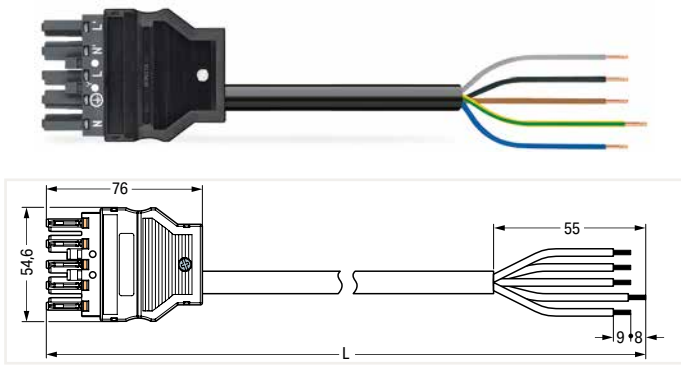
PU = Packaging Unit; SPU = Subpackaging Unit; Dimensions in mm

Cable Assembly ▶ WINSTA® MIDI ▶ 771 Series

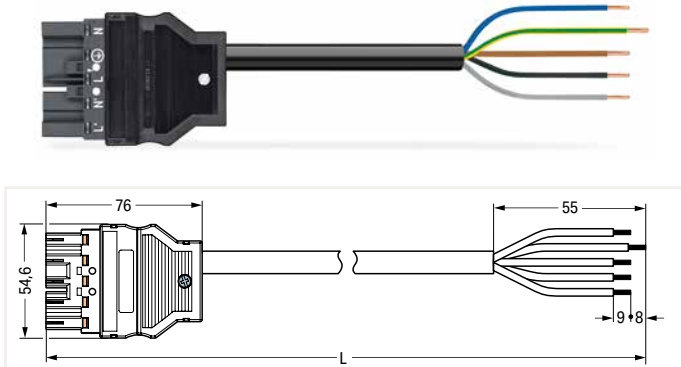
No. of poles: 5 ▶ Protection class: IP20 ▶ 1.5 mm² ▶ Coding: L ▶ Marking: N ⊕ L N' L' ▶ PVC ▶ Cable diameter: 9.3 ... 11.6 mm ▶ H05VV-F 5G1.5



Interconnecting cable ▶ Socket - Plug			
Total length	Connector color/Strain relief color		PU
	dark gray/black	dark gray/white	
1 m	771-8985/006-103	771-8985/006-104	1
2 m	771-8985/006-203	771-8985/006-204	1
3 m	771-8985/006-303	771-8985/006-304	1
4 m	771-8985/006-403	771-8985/006-404	1
5 m	771-8985/006-503	771-8985/006-504	1
6 m	771-8985/006-603	771-8985/006-604	1
7 m	771-8985/006-703	771-8985/006-704	1
8 m	771-8985/006-803	771-8985/006-804	1



Connecting cable ▶ Socket - Free end ▶ Strip length: 55 mm			
Total length	Connector color/Strain relief color		PU
	dark gray/black	dark gray/white	
1 m	771-8985/106-103	771-8985/106-104	1
2 m	771-8985/106-203	771-8985/106-204	1
3 m	771-8985/106-303	771-8985/106-304	1
4 m	771-8985/106-403	771-8985/106-404	1
5 m	771-8985/106-503	771-8985/106-504	1
6 m	771-8985/106-603	771-8985/106-604	1
7 m	771-8985/106-703	771-8985/106-704	1
8 m	771-8985/106-803	771-8985/106-804	1



Connecting cable ▶ Plug - Free end ▶ Strip length: 55 mm			
Total length	Connector color/Strain relief color		PU
	dark gray/black	dark gray/white	
1 m	771-8985/206-103	771-8985/206-104	1
2 m	771-8985/206-203	771-8985/206-204	1
3 m	771-8985/206-303	771-8985/206-304	1
4 m	771-8985/206-403	771-8985/206-404	1
5 m	771-8985/206-503	771-8985/206-504	1
6 m	771-8985/206-603	771-8985/206-604	1
7 m	771-8985/206-703	771-8985/206-704	1
8 m	771-8985/206-803	771-8985/206-804	1

3

Accessories; for all products on this page



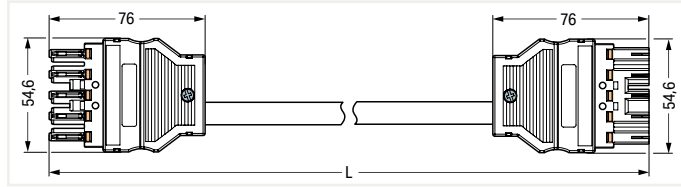
Locking lever, for flying leads; manually operated		
Color	Item No.	PU (SPU)
● black	770-101	100 (25)
○ white	770-121	100 (25)

Locking lever, for flying leads; tool operated		
Color	Item No.	PU (SPU)
● black	770-111	100 (25)
○ white	770-131	100 (25)

PU = Packaging Unit; SPU = Subpackaging Unit; Dimensions in mm

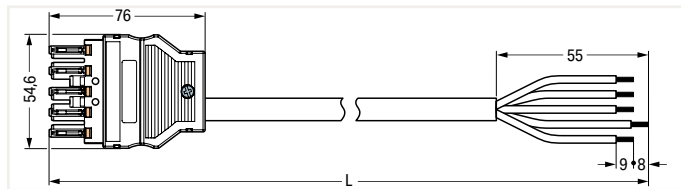
Cable Assembly ▶ WINSTA® MIDI ▶ 771 Series

No. of poles: 5 ▶ Protection class: IP20 ▶ 1.5 mm² ▶ Coding: L ▶ Marking: N ⊕ L N' L' ▶ Halogen-free ▶ Cable diameter: 9.3 ... 11.6 mm ▶ H05Z1Z1-F 5G1.5

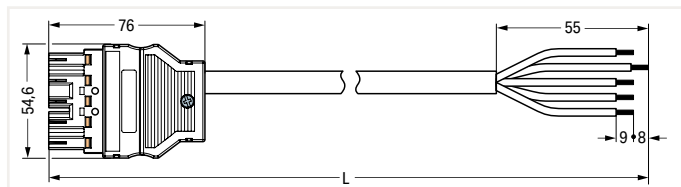


Interconnecting cable ▶ Socket - Plug			
Total length	Connector color/Strain relief color		PU
	dark gray/black	dark gray/white	
1 m	771-8985/016-103	771-8985/016-104	1
2 m	771-8985/016-203	771-8985/016-204	1
3 m	771-8985/016-303	771-8985/016-304	1
4 m	771-8985/016-403	771-8985/016-404	1
5 m	771-8985/016-503	771-8985/016-504	1
6 m	771-8985/016-603	771-8985/016-604	1
7 m	771-8985/016-703	771-8985/016-704	1
8 m	771-8985/016-803	771-8985/016-804	1

3



Connecting cable ▶ Socket - Free end ▶ Strip length: 55 mm			
Total length	Connector color/Strain relief color		PU
	dark gray/black	dark gray/white	
1 m	771-8985/116-103	771-8985/116-104	1
2 m	771-8985/116-203	771-8985/116-204	1
3 m	771-8985/116-303	771-8985/116-304	1
4 m	771-8985/116-403	771-8985/116-404	1
5 m	771-8985/116-503	771-8985/116-504	1
6 m	771-8985/116-603	771-8985/116-604	1
7 m	771-8985/116-703	771-8985/116-704	1
8 m	771-8985/116-803	771-8985/116-804	1



Connecting cable ▶ Plug - Free end ▶ Strip length: 55 mm			
Total length	Connector color/Strain relief color		PU
	dark gray/black	dark gray/white	
1 m	771-8985/216-103	771-8985/216-104	1
2 m	771-8985/216-203	771-8985/216-204	1
3 m	771-8985/216-303	771-8985/216-304	1
4 m	771-8985/216-403	771-8985/216-404	1
5 m	771-8985/216-503	771-8985/216-504	1
6 m	771-8985/216-603	771-8985/216-604	1
7 m	771-8985/216-703	771-8985/216-704	1
8 m	771-8985/216-803	771-8985/216-804	1

Accessories; for all products on this page



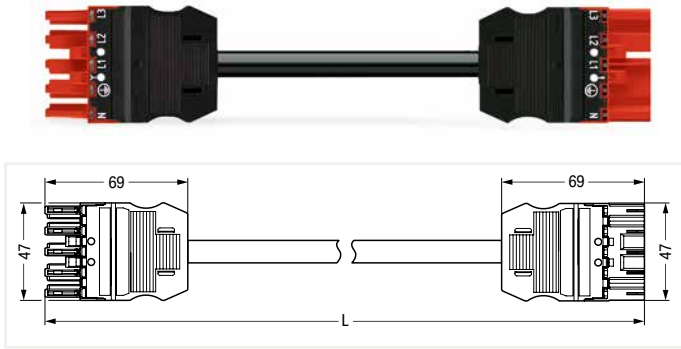
Locking lever, for flying leads; manually operated		
Color	Item No.	PU (SPU)
● black	770-101	100 (25)
○ white	770-121	100 (25)

Locking lever, for flying leads; tool operated		
Color	Item No.	PU (SPU)
● black	770-111	100 (25)
○ white	770-131	100 (25)

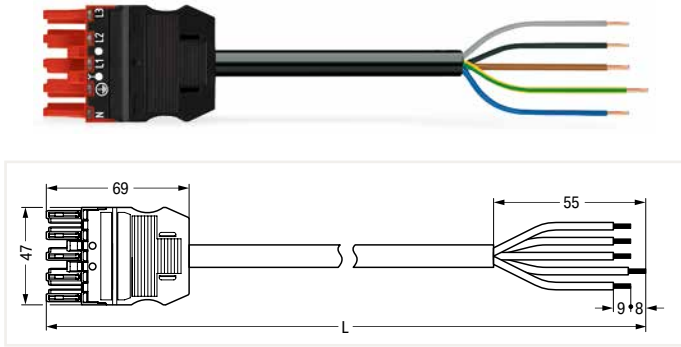
PU = Packaging Unit; SPU = Subpackaging Unit; Dimensions in mm

Cable Assembly ▶ WINSTA® MIDI ▶ 771 Series

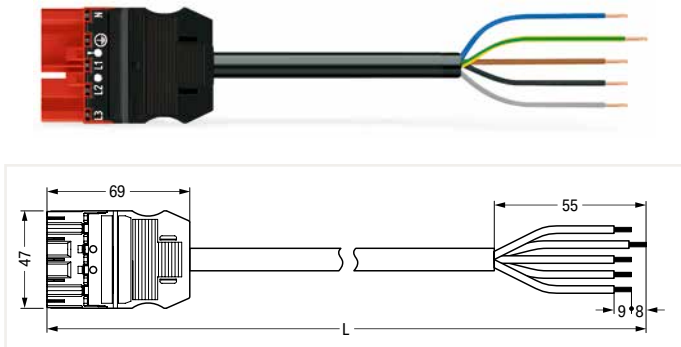
No. of poles: 5 ▶ Protection class: IP20 ▶ 1.5 mm² ▶ Coding: P ▶ Marking: N ⊕ L1 L2 L3 ▶ PVC ▶ Cable diameter: 9.3 ... 11.6 mm ▶ H05VV-F 5G1.5



Total length	Connector color/Strain relief color		PU
	red/black	red/white	
1 m	771-9975/006-101	771-9975/006-102	1
2 m	771-9975/006-201	771-9975/006-202	1
3 m	771-9975/006-301	771-9975/006-302	1
4 m	771-9975/006-401	771-9975/006-402	1
5 m	771-9975/006-501	771-9975/006-502	1
6 m	771-9975/006-601	771-9975/006-602	1
7 m	771-9975/006-701	771-9975/006-702	1
8 m	771-9975/006-801	771-9975/006-802	1



Total length	Connector color/Strain relief color		PU
	red/black	red/white	
1 m	771-9975/106-101	771-9975/106-102	1
2 m	771-9975/106-201	771-9975/106-202	1
3 m	771-9975/106-301	771-9975/106-302	1
4 m	771-9975/106-401	771-9975/106-402	1
5 m	771-9975/106-501	771-9975/106-502	1
6 m	771-9975/106-601	771-9975/106-602	1
7 m	771-9975/106-701	771-9975/106-702	1
8 m	771-9975/106-801	771-9975/106-802	1



Total length	Connector color/Strain relief color		PU
	red/black	red/white	
1 m	771-9975/206-101	771-9975/206-102	1
2 m	771-9975/206-201	771-9975/206-202	1
3 m	771-9975/206-301	771-9975/206-302	1
4 m	771-9975/206-401	771-9975/206-402	1
5 m	771-9975/206-501	771-9975/206-502	1
6 m	771-9975/206-601	771-9975/206-602	1
7 m	771-9975/206-701	771-9975/206-702	1
8 m	771-9975/206-801	771-9975/206-802	1

3

Accessories; for all products on this page



Locking lever, for flying leads; manually operated		
Color	Item No.	PU (SPU)
● black	770-101	100 (25)
○ white	770-121	100 (25)

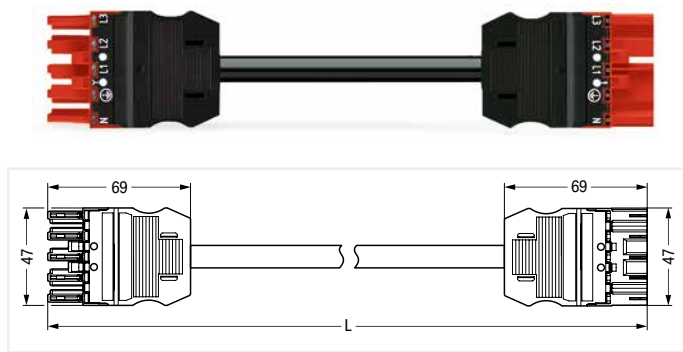
Locking lever, for flying leads; tool operated		
Color	Item No.	PU (SPU)
● black	770-111	100 (25)
○ white	770-131	100 (25)

PU = Packaging Unit; SPU = Subpackaging Unit; Dimensions in mm

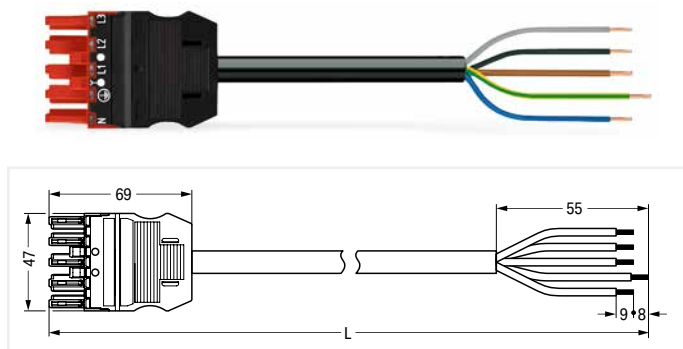
Cable Assembly ▶ WINSTA® MIDI ▶ 771 Series

No. of poles: 5 ▶ Protection class: IP20 ▶ 1.5 mm² ▶ Coding: P ▶ Marking: N ⊕ L1 L2 L3 ▶ Halogen-free ▶ Cable diameter: 9.3 ... 11.6 mm ▶ H05Z1Z1-F 5G1.5

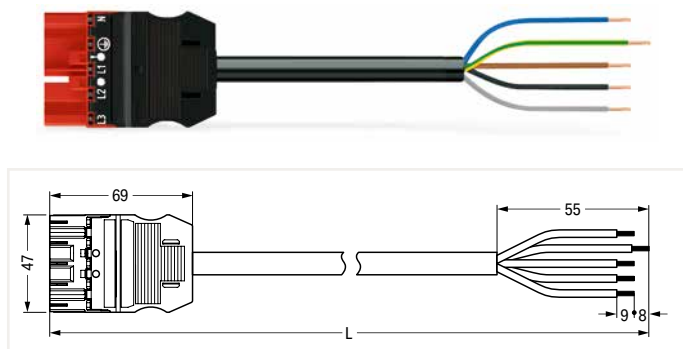
3



Interconnecting cable ▶ Socket - Plug			
Total length	Connector color/Strain relief color		PU
	red/black	red/white	
1 m	771-9975/016-101	771-9975/016-102	1
2 m	771-9975/016-201	771-9975/016-202	1
3 m	771-9975/016-301	771-9975/016-302	1
4 m	771-9975/016-401	771-9975/016-402	1
5 m	771-9975/016-501	771-9975/016-502	1
6 m	771-9975/016-601	771-9975/016-602	1
7 m	771-9975/016-701	771-9975/016-702	1
8 m	771-9975/016-801	771-9975/016-802	1



Connecting cable ▶ Socket - Free end ▶ Strip length: 55 mm			
Total length	Connector color/Strain relief color		PU
	red/black	red/white	
1 m	771-9975/116-101	771-9975/116-102	1
2 m	771-9975/116-201	771-9975/116-202	1
3 m	771-9975/116-301	771-9975/116-302	1
4 m	771-9975/116-401	771-9975/116-402	1
5 m	771-9975/116-501	771-9975/116-502	1
6 m	771-9975/116-601	771-9975/116-602	1
7 m	771-9975/116-701	771-9975/116-702	1
8 m	771-9975/116-801	771-9975/116-802	1



Connecting cable ▶ Plug - Free end ▶ Strip length: 55 mm			
Total length	Connector color/Strain relief color		PU
	red/black	red/white	
1 m	771-9975/216-101	771-9975/216-102	1
2 m	771-9975/216-201	771-9975/216-202	1
3 m	771-9975/216-301	771-9975/216-302	1
4 m	771-9975/216-401	771-9975/216-402	1
5 m	771-9975/216-501	771-9975/216-502	1
6 m	771-9975/216-601	771-9975/216-602	1
7 m	771-9975/216-701	771-9975/216-702	1
8 m	771-9975/216-801	771-9975/216-802	1

Accessories; for all products on this page



Locking lever, for flying leads; manually operated		
Color	Item No.	PU (SPU)
● black	770-101	100 (25)
○ white	770-121	100 (25)

Locking lever, for flying leads; tool operated		
Color	Item No.	PU (SPU)
● black	770-111	100 (25)
○ white	770-131	100 (25)

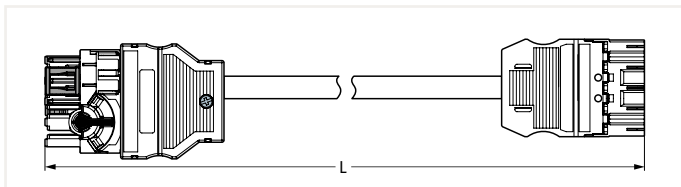
PU = Packaging Unit; SPU = Subpackaging Unit; Dimensions in mm

Cable Assembly ▶ WINSTA® MIDI ▶ 771 Series

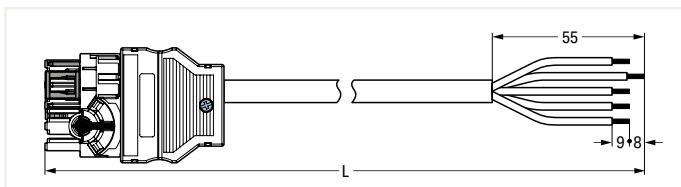
No. of poles: 5 ▶ Protection class: IP20 ▶ 2.5 mm² ▶ Coding: A ▶ Marking: L ⊕ N ▶ PVC ▶ Cable diameter: 11.2 ... 13.9 mm



Interconnecting cable ▶ Distribution connector with phase selection - Plug			
Total length	Connector color/Strain relief color		PU
	black/black	white/white	
1 m	771-8965/007-101	771-8965/007-102	1
2 m	771-8965/007-201	771-8965/007-202	1



Connecting cable ▶ Distribution connector with phase selection - Free end ▶ Strip length: 55 mm			
Total length	Connector color/Strain relief color		PU
	black/black	white/white	
1 m	771-8965/107-101	771-8965/107-102	1
2 m	771-8965/107-201	771-8965/107-202	1



3

Accessories; for all products on this page



Locking lever, for flying leads; manually operated		
Color	Item No.	PU (SPU)
● black	770-101	100 (25)
○ white	770-121	100 (25)

Locking lever, for flying leads; tool operated		
Color	Item No.	PU (SPU)
● black	770-111	100 (25)
○ white	770-131	100 (25)

Lockout cap; for socket; separable; No. of poles: 12		
Color	Item No.	PU
● black	770-201	100
○ white	770-221	100

PU = Packaging Unit; SPU = Subpackaging Unit; Dimensions in mm

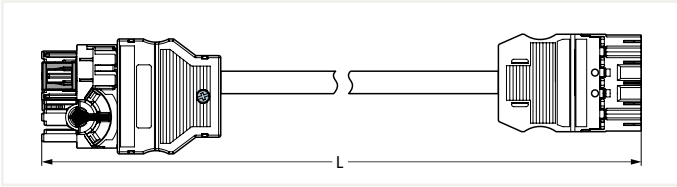
Cable Assembly ▶ WINSTA® MIDI ▶ 771 Series

No. of poles: 5 ▶ Protection class: IP20 ▶ 2.5 mm² ▶ Coding: A ▶ Marking: L ⊕ N ▶ Halogen-free ▶ Cable diameter: 11.2 ... 13.9 mm



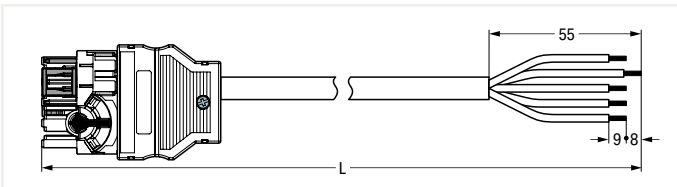
Interconnecting cable ▶ Distribution connector with phase selection - Plug

Total length	Connector color/Strain relief color		PU
	black/black	white/white	
1 m	771-8965/017-101	771-8965/017-102	1
2 m	771-8965/017-201	771-8965/017-202	1



Connecting cable ▶ Distribution connector with phase selection - Free end ▶ Strip length: 55 mm

Total length	Connector color/Strain relief color		PU
	black/black	white/white	
1 m	771-8965/117-101	771-8965/117-102	1
2 m	771-8965/117-201	771-8965/117-202	1



3

Accessories; for all products on this page



Locking lever, for flying leads; manually operated		
Color	Item No.	PU (SPU)
● black	770-101	100 (25)
○ white	770-121	100 (25)



Locking lever, for flying leads; tool operated		
Color	Item No.	PU (SPU)
● black	770-111	100 (25)
○ white	770-131	100 (25)

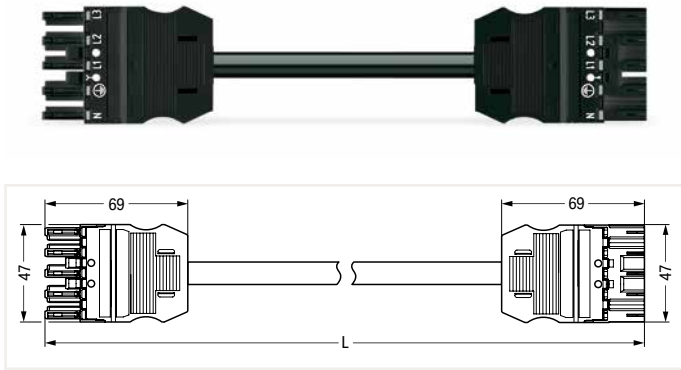


Lockout cap; for socket; separable; No. of poles: 12		
Color	Item No.	PU
● black	770-201	100
○ white	770-221	100

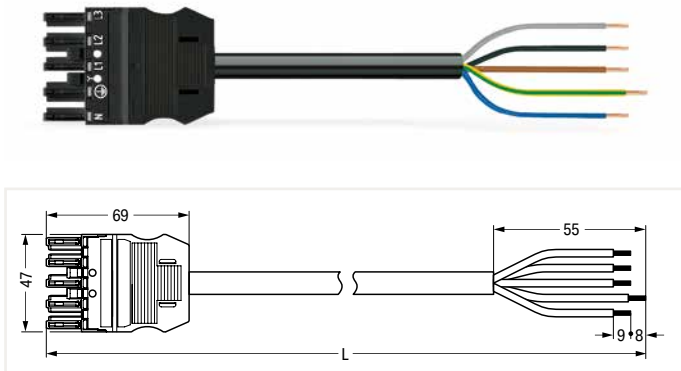
PU = Packaging Unit; SPU = Subpackaging Unit; Dimensions in mm

Cable Assembly ▶ WINSTA® MIDI ▶ 771 Series

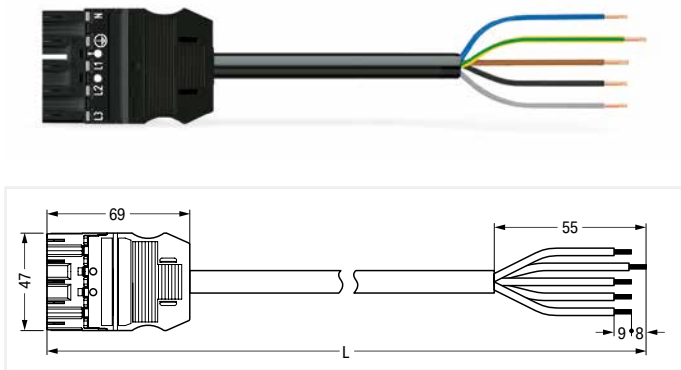
No. of poles: 5 ▶ Protection class: IP20 ▶ 2.5 mm² ▶ Coding: A ▶ Marking: N ⊕ L1 L2 L3 ▶ PVC ▶ Cable diameter: 11.2 ... 13.9 mm ▶ H05VV-F 5G2.5



Total length	Connector color/Strain relief color		PU
	black/black	white/white	
1 m	771-9995/007-101	771-9995/007-102	1
2 m	771-9995/007-201	771-9995/007-202	1
3 m	771-9995/007-301	771-9995/007-302	1
4 m	771-9995/007-401	771-9995/007-402	1
5 m	771-9995/007-501	771-9995/007-502	1
6 m	771-9995/007-601	771-9995/007-602	1
7 m	771-9995/007-701	771-9995/007-702	1
8 m	771-9995/007-801	771-9995/007-802	1



Total length	Connector color/Strain relief color		PU
	black/black	white/white	
1 m	771-9995/107-101	771-9995/107-102	1
2 m	771-9995/107-201	771-9995/107-202	1
3 m	771-9995/107-301	771-9995/107-302	1
4 m	771-9995/107-401	771-9995/107-402	1
5 m	771-9995/107-501	771-9995/107-502	1
6 m	771-9995/107-601	771-9995/107-602	1
7 m	771-9995/107-701	771-9995/107-702	1
8 m	771-9995/107-801	771-9995/107-802	1



Total length	Connector color/Strain relief color		PU
	black/black	white/white	
1 m	771-9995/207-101	771-9995/207-102	1
2 m	771-9995/207-201	771-9995/207-202	1
3 m	771-9995/207-301	771-9995/207-302	1
4 m	771-9995/207-401	771-9995/207-402	1
5 m	771-9995/207-501	771-9995/207-502	1
6 m	771-9995/207-601	771-9995/207-602	1
7 m	771-9995/207-701	771-9995/207-702	1
8 m	771-9995/207-801	771-9995/207-802	1

Accessories; for all products on this page



Locking lever, for flying leads; manually operated		
Color	Item No.	PU (SPU)
● black	770-101	100 (25)
○ white	770-121	100 (25)

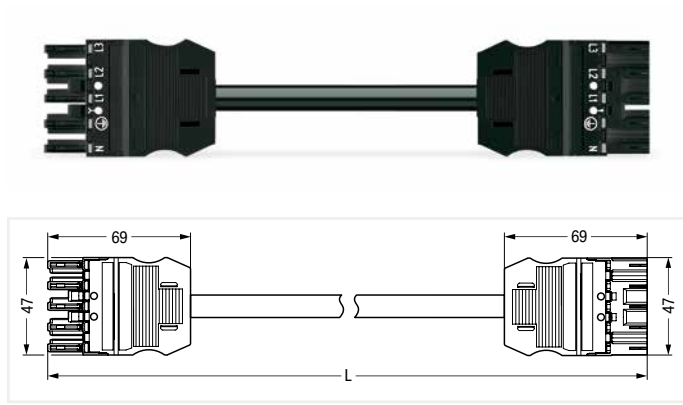
Locking lever, for flying leads; tool operated		
Color	Item No.	PU (SPU)
● black	770-111	100 (25)
○ white	770-131	100 (25)

PU = Packaging Unit; SPU = Subpackaging Unit; Dimensions in mm

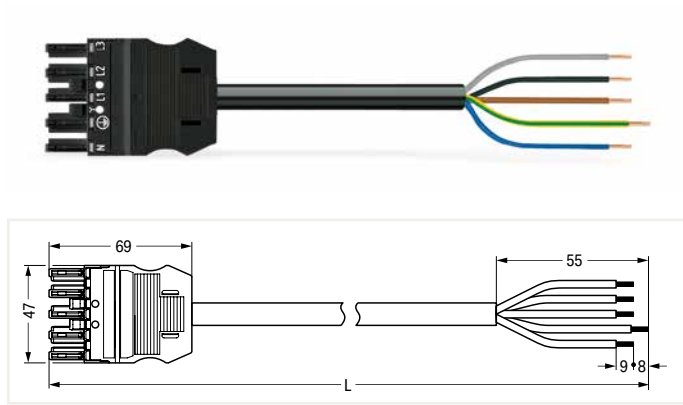
Cable Assembly ▶ WINSTA® MIDI ▶ 771 Series

No. of poles: 5 ▶ Protection class: IP20 ▶ 2.5 mm² ▶ Coding: A ▶ Marking: N ⊕ L1 L2 L3 ▶ Halogen-free ▶ Cable diameter: 11.2 ... 13.9 mm ▶ H05Z1Z1-F 5G2.5

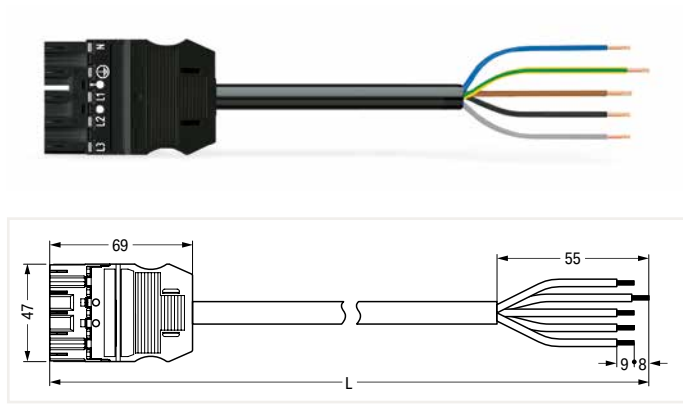
3



Total length	Connector color/Strain relief color		PU
	black/black	white/white	
1 m	771-9995/017-101	771-9995/017-102	1
2 m	771-9995/017-201	771-9995/017-202	1
3 m	771-9995/017-301	771-9995/017-302	1
4 m	771-9995/017-401	771-9995/017-402	1
5 m	771-9995/017-501	771-9995/017-502	1
6 m	771-9995/017-601	771-9995/017-602	1
7 m	771-9995/017-701	771-9995/017-702	1
8 m	771-9995/017-801	771-9995/017-802	1



Total length	Connector color/Strain relief color		PU
	black/black	white/white	
1 m	771-9995/117-101	771-9995/117-102	1
2 m	771-9995/117-201	771-9995/117-202	1
3 m	771-9995/117-301	771-9995/117-302	1
4 m	771-9995/117-401	771-9995/117-402	1
5 m	771-9995/117-501	771-9995/117-502	1
6 m	771-9995/117-601	771-9995/117-602	1
7 m	771-9995/117-701	771-9995/117-702	1
8 m	771-9995/117-801	771-9995/117-802	1



Total length	Connector color/Strain relief color		PU
	black/black	white/white	
1 m	771-9995/217-101	771-9995/217-102	1
2 m	771-9995/217-201	771-9995/217-202	1
3 m	771-9995/217-301	771-9995/217-302	1
4 m	771-9995/217-401	771-9995/217-402	1
5 m	771-9995/217-501	771-9995/217-502	1
6 m	771-9995/217-601	771-9995/217-602	1
7 m	771-9995/217-701	771-9995/217-702	1
8 m	771-9995/217-801	771-9995/217-802	1

Accessories; for all products on this page



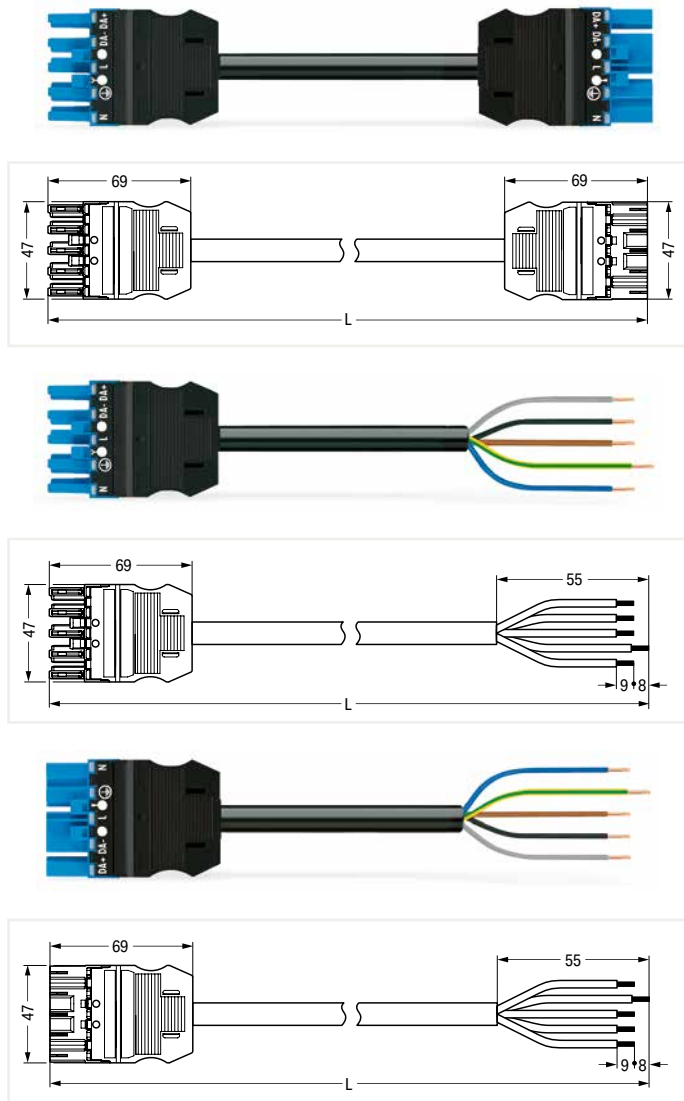
Locking lever, for flying leads; manually operated		
Color	Item No.	PU (SPU)
● black	770-101	100 (25)
○ white	770-121	100 (25)

Locking lever, for flying leads; tool operated		
Color	Item No.	PU (SPU)
● black	770-111	100 (25)
○ white	770-131	100 (25)

PU = Packaging Unit; SPU = Subpackaging Unit; Dimensions in mm

Cable Assembly ▶ WINSTA® MIDI ▶ 771 Series

No. of poles: 5 ▶ Protection class: IP20 ▶ 2.5 mm² ▶ Coding: I ▶ Marking: N ⊕ L DA- DA+ ▶ PVC ▶ Cable diameter: 11.2 ... 13.9 mm ▶ H05VV-F 5G2.5 ▶ for dimming function (e.g., DALI)



Total length	Connector color/Strain relief color		PU
	blue/black	blue/white	
1 m	771-9985/007-101	771-9985/007-102	1
2 m	771-9985/007-201	771-9985/007-202	1
3 m	771-9985/007-301	771-9985/007-302	1
4 m	771-9985/007-401	771-9985/007-402	1
5 m	771-9985/007-501	771-9985/007-502	1
6 m	771-9985/007-601	771-9985/007-602	1
7 m	771-9985/007-701	771-9985/007-702	1
8 m	771-9985/007-801	771-9985/007-802	1

Total length	Connector color/Strain relief color		PU
	blue/black	blue/white	
1 m	771-9985/107-101	771-9985/107-102	1
2 m	771-9985/107-201	771-9985/107-202	1
3 m	771-9985/107-301	771-9985/107-302	1
4 m	771-9985/107-401	771-9985/107-402	1
5 m	771-9985/107-501	771-9985/107-502	1
6 m	771-9985/107-601	771-9985/107-602	1
7 m	771-9985/107-701	771-9985/107-702	1
8 m	771-9985/107-801	771-9985/107-802	1

Total length	Connector color/Strain relief color		PU
	blue/black	blue/white	
1 m	771-9985/207-101	771-9985/207-102	1
2 m	771-9985/207-201	771-9985/207-202	1
3 m	771-9985/207-301	771-9985/207-302	1
4 m	771-9985/207-401	771-9985/207-402	1
5 m	771-9985/207-501	771-9985/207-502	1
6 m	771-9985/207-601	771-9985/207-602	1
7 m	771-9985/207-701	771-9985/207-702	1
8 m	771-9985/207-801	771-9985/207-802	1

3

Accessories; for all products on this page



Locking lever, for flying leads; manually operated		
Color	Item No.	PU (SPU)
● black	770-101	100 (25)
○ white	770-121	100 (25)

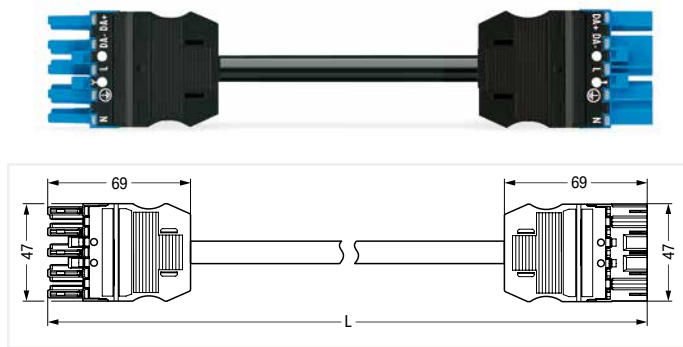
Locking lever, for flying leads; tool operated		
Color	Item No.	PU (SPU)
● black	770-111	100 (25)
○ white	770-131	100 (25)

PU = Packaging Unit; SPU = Subpackaging Unit; Dimensions in mm

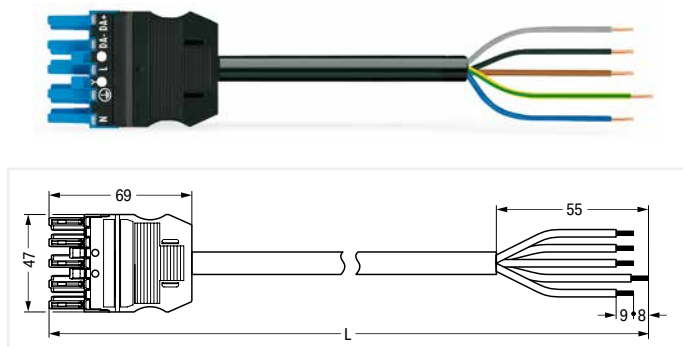
Cable Assembly ▶ WINSTA® MIDI ▶ 771 Series

No. of poles: 5 ▶ Protection class: IP20 ▶ 2.5 mm² ▶ Coding: I ▶ Marking: N ⊕ L DA- DA+ ▶ Halogen-free ▶ Cable diameter: 11.2 ... 13.9 mm ▶ H05Z1Z1-F 5G2.5 ▶ for dimming function (e.g., DALI)

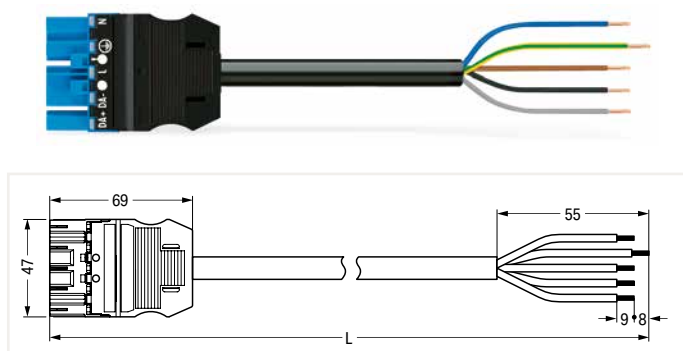
3



Interconnecting cable ▶ Socket - Plug			
Total length	Connector color/Strain relief color		PU
	blue/black	blue/white	
1 m	771-9985/017-101	771-9985/017-102	1
2 m	771-9985/017-201	771-9985/017-202	1
3 m	771-9985/017-301	771-9985/017-302	1
4 m	771-9985/017-401	771-9985/017-402	1
5 m	771-9985/017-501	771-9985/017-502	1
6 m	771-9985/017-601	771-9985/017-602	1
7 m	771-9985/017-701	771-9985/017-702	1
8 m	771-9985/017-801	771-9985/017-802	1



Connecting cable ▶ Socket - Free end ▶ Strip length: 55 mm			
Total length	Connector color/Strain relief color		PU
	blue/black	blue/white	
1 m	771-9985/117-101	771-9985/117-102	1
2 m	771-9985/117-201	771-9985/117-202	1
3 m	771-9985/117-301	771-9985/117-302	1
4 m	771-9985/117-401	771-9985/117-402	1
5 m	771-9985/117-501	771-9985/117-502	1
6 m	771-9985/117-601	771-9985/117-602	1
7 m	771-9985/117-701	771-9985/117-702	1
8 m	771-9985/117-801	771-9985/117-802	1



Connecting cable ▶ Plug - Free end ▶ Strip length: 55 mm			
Total length	Connector color/Strain relief color		PU
	blue/black	blue/white	
1 m	771-9985/217-101	771-9985/217-102	1
2 m	771-9985/217-201	771-9985/217-202	1
3 m	771-9985/217-301	771-9985/217-302	1
4 m	771-9985/217-401	771-9985/217-402	1
5 m	771-9985/217-501	771-9985/217-502	1
6 m	771-9985/217-601	771-9985/217-602	1
7 m	771-9985/217-701	771-9985/217-702	1
8 m	771-9985/217-801	771-9985/217-802	1

Accessories; for all products on this page



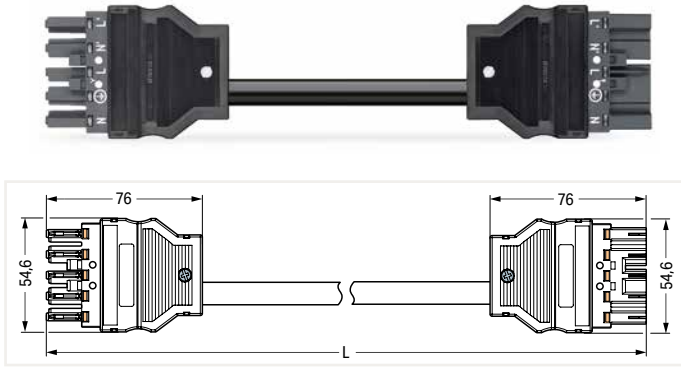
Locking lever, for flying leads; manually operated		
Color	Item No.	PU (SPU)
● black	770-101	100 (25)
○ white	770-121	100 (25)

Locking lever, for flying leads; tool operated		
Color	Item No.	PU (SPU)
● black	770-111	100 (25)
○ white	770-131	100 (25)

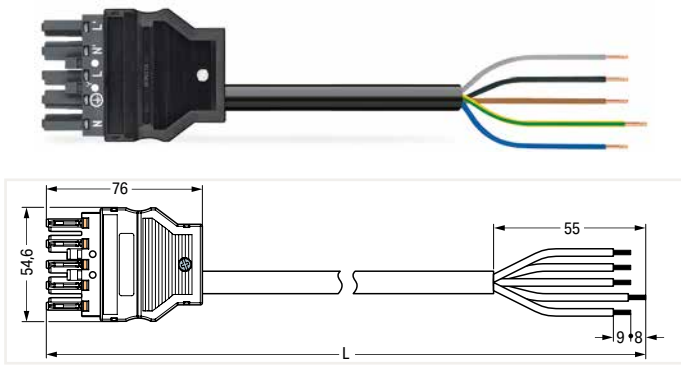
PU = Packaging Unit; SPU = Subpackaging Unit; Dimensions in mm

Cable Assembly ▶ WINSTA® MIDI ▶ 771 Series

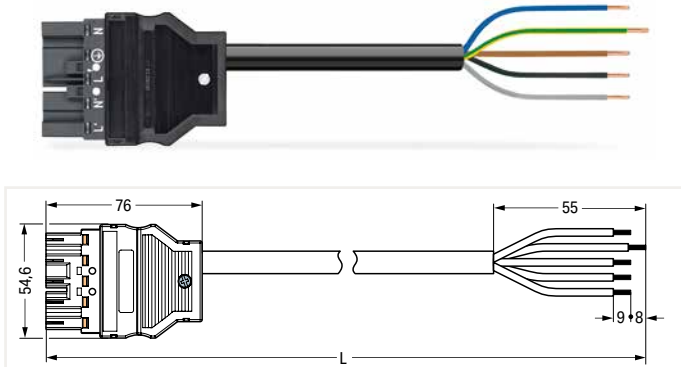
No. of poles: 5 ▶ Protection class: IP20 ▶ 2.5 mm² ▶ Coding: L ▶ Marking: N ⊕ L N' L' ▶ PVC ▶ Cable diameter: 11.2 ... 13.9 mm ▶ H05VV-F 5G2.5



Interconnecting cable ▶ Socket - Plug			
Total length	Connector color/Strain relief color		PU
	dark gray/black	dark gray/white	
1 m	771-8985/007-103	771-8985/007-104	1
2 m	771-8985/007-203	771-8985/007-204	1
3 m	771-8985/007-303	771-8985/007-304	1
4 m	771-8985/007-403	771-8985/007-404	1
5 m	771-8985/007-503	771-8985/007-504	1
6 m	771-8985/007-603	771-8985/007-604	1
7 m	771-8985/007-703	771-8985/007-704	1
8 m	771-8985/007-803	771-8985/007-804	1



Connecting cable ▶ Socket - Free end ▶ Strip length: 55 mm			
Total length	Connector color/Strain relief color		PU
	dark gray/black	dark gray/white	
1 m	771-8985/107-103	771-8985/107-104	1
2 m	771-8985/107-203	771-8985/107-204	1
3 m	771-8985/107-303	771-8985/107-304	1
4 m	771-8985/107-403	771-8985/107-404	1
5 m	771-8985/107-503	771-8985/107-504	1
6 m	771-8985/107-603	771-8985/107-604	1
7 m	771-8985/107-703	771-8985/107-704	1
8 m	771-8985/107-803	771-8985/107-804	1



Connecting cable ▶ Plug - Free end ▶ Strip length: 55 mm			
Total length	Connector color/Strain relief color		PU
	dark gray/black	dark gray/white	
1 m	771-8985/207-103	771-8985/207-104	1
2 m	771-8985/207-203	771-8985/207-204	1
3 m	771-8985/207-303	771-8985/207-304	1
4 m	771-8985/207-403	771-8985/207-404	1
5 m	771-8985/207-503	771-8985/207-504	1
6 m	771-8985/207-603	771-8985/207-604	1
7 m	771-8985/207-703	771-8985/207-704	1
8 m	771-8985/207-803	771-8985/207-804	1

3

Accessories; for all products on this page



Locking lever, for flying leads; manually operated		
Color	Item No.	PU (SPU)
● black	770-101	100 (25)
○ white	770-121	100 (25)

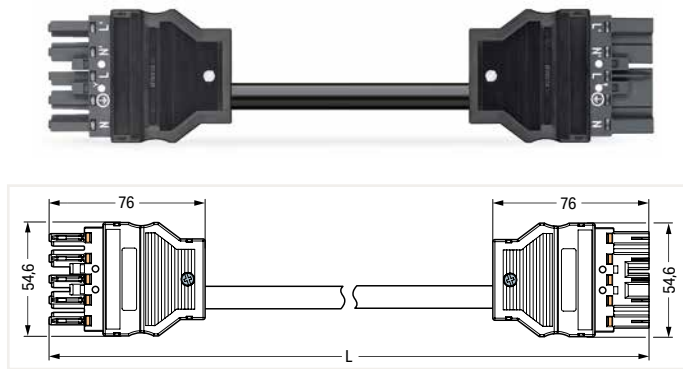
Locking lever, for flying leads; tool operated		
Color	Item No.	PU (SPU)
● black	770-111	100 (25)
○ white	770-131	100 (25)

PU = Packaging Unit; SPU = Subpackaging Unit; Dimensions in mm

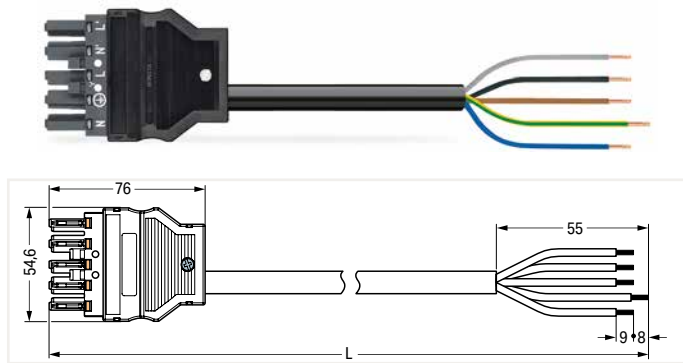
Cable Assembly ▶ WINSTA® MIDI ▶ 771 Series

No. of poles: 5 ▶ Protection class: IP20 ▶ 2.5 mm² ▶ Coding: L ▶ Marking: N ⊕ L N' L' ▶ Halogen-free ▶ Cable diameter: 11.2 ... 13.9 mm ▶ H05Z1Z1-F 5G2.5

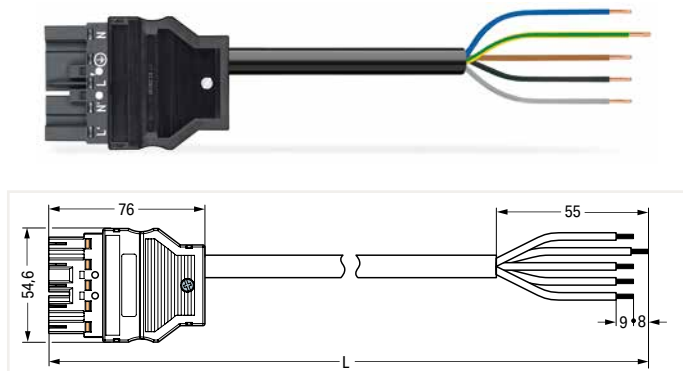
3



Interconnecting cable ▶ Socket - Plug			
Total length	Connector color/Strain relief color		PU
	dark gray/black	dark gray/white	
1 m	771-8985/017-103	771-8985/017-104	1
2 m	771-8985/017-203	771-8985/017-204	1
3 m	771-8985/017-303	771-8985/017-304	1
4 m	771-8985/017-403	771-8985/017-404	1
5 m	771-8985/017-503	771-8985/017-504	1
6 m	771-8985/017-603	771-8985/017-604	1
7 m	771-8985/017-703	771-8985/017-704	1
8 m	771-8985/017-803	771-8985/017-804	1



Connecting cable ▶ Socket - Free end ▶ Strip length: 55 mm			
Total length	Connector color/Strain relief color		PU
	dark gray/black	dark gray/white	
1 m	771-8985/117-103	771-8985/117-104	1
2 m	771-8985/117-203	771-8985/117-204	1
3 m	771-8985/117-303	771-8985/117-304	1
4 m	771-8985/117-403	771-8985/117-404	1
5 m	771-8985/117-503	771-8985/117-504	1
6 m	771-8985/117-603	771-8985/117-604	1
7 m	771-8985/117-703	771-8985/117-704	1
8 m	771-8985/117-803	771-8985/117-804	1



Connecting cable ▶ Plug - Free end ▶ Strip length: 55 mm			
Total length	Connector color/Strain relief color		PU
	dark gray/black	dark gray/white	
1 m	771-8985/217-103	771-8985/217-104	1
2 m	771-8985/217-203	771-8985/217-204	1
3 m	771-8985/217-303	771-8985/217-304	1
4 m	771-8985/217-403	771-8985/217-404	1
5 m	771-8985/217-503	771-8985/217-504	1
6 m	771-8985/217-603	771-8985/217-604	1
7 m	771-8985/217-703	771-8985/217-704	1
8 m	771-8985/217-803	771-8985/217-804	1

Accessories; for all products on this page



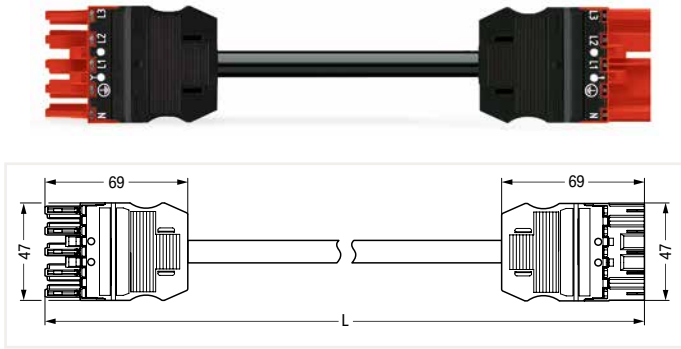
Locking lever, for flying leads; manually operated		
Color	Item No.	PU (SPU)
● black	770-101	100 (25)
○ white	770-121	100 (25)

Locking lever, for flying leads; tool operated		
Color	Item No.	PU (SPU)
● black	770-111	100 (25)
○ white	770-131	100 (25)

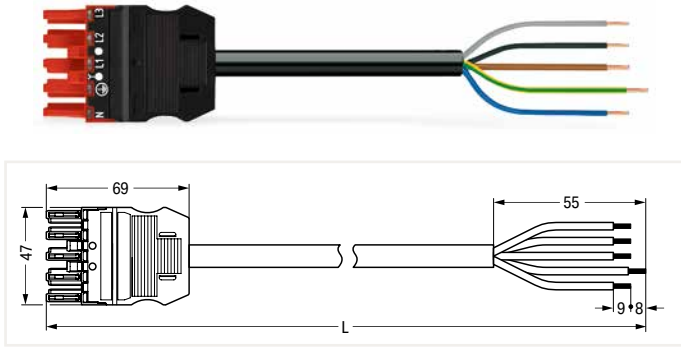
PU = Packaging Unit; SPU = Subpackaging Unit; Dimensions in mm

Cable Assembly ▶ WINSTA® MIDI ▶ 771 Series

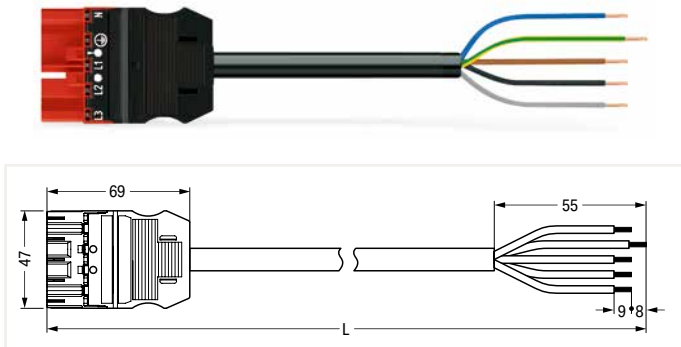
No. of poles: 5 ▶ Protection class: IP20 ▶ 2.5 mm² ▶ Coding: P ▶ Marking: N ⊕ L1 L2 L3 ▶ PVC ▶ Cable diameter: 11.2 ... 13.9 mm ▶ H05VV-F 5G2.5



Total length	Connector color/Strain relief color		PU
	red/black	red/white	
1 m	771-9975/007-101	771-9975/007-102	1
2 m	771-9975/007-201	771-9975/007-202	1
3 m	771-9975/007-301	771-9975/007-302	1
4 m	771-9975/007-401	771-9975/007-402	1
5 m	771-9975/007-501	771-9975/007-502	1
6 m	771-9975/007-601	771-9975/007-602	1
7 m	771-9975/007-701	771-9975/007-702	1
8 m	771-9975/007-801	771-9975/007-802	1



Total length	Connector color/Strain relief color		PU
	red/black	red/white	
1 m	771-9975/107-101	771-9975/107-102	1
2 m	771-9975/107-201	771-9975/107-202	1
3 m	771-9975/107-301	771-9975/107-302	1
4 m	771-9975/107-401	771-9975/107-402	1
5 m	771-9975/107-501	771-9975/107-502	1
6 m	771-9975/107-601	771-9975/107-602	1
7 m	771-9975/107-701	771-9975/107-702	1
8 m	771-9975/107-801	771-9975/107-802	1



Total length	Connector color/Strain relief color		PU
	red/black	red/white	
1 m	771-9975/207-101	771-9975/207-102	1
2 m	771-9975/207-201	771-9975/207-202	1
3 m	771-9975/207-301	771-9975/207-302	1
4 m	771-9975/207-401	771-9975/207-402	1
5 m	771-9975/207-501	771-9975/207-502	1
6 m	771-9975/207-601	771-9975/207-602	1
7 m	771-9975/207-701	771-9975/207-702	1
8 m	771-9975/207-801	771-9975/207-802	1

3

Accessories; for all products on this page



Locking lever, for flying leads; manually operated		
Color	Item No.	PU (SPU)
● black	770-101	100 (25)
○ white	770-121	100 (25)

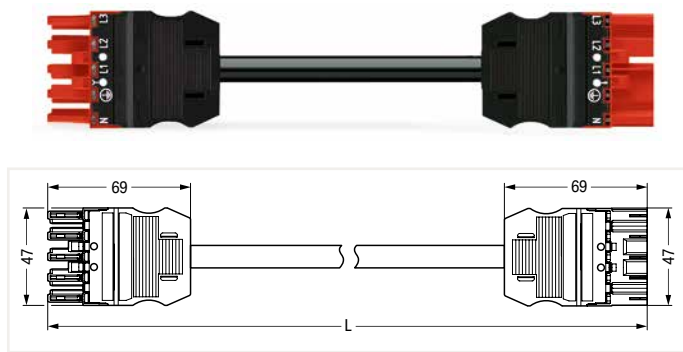
Locking lever, for flying leads; tool operated		
Color	Item No.	PU (SPU)
● black	770-111	100 (25)
○ white	770-131	100 (25)

PU = Packaging Unit; SPU = Subpackaging Unit; Dimensions in mm

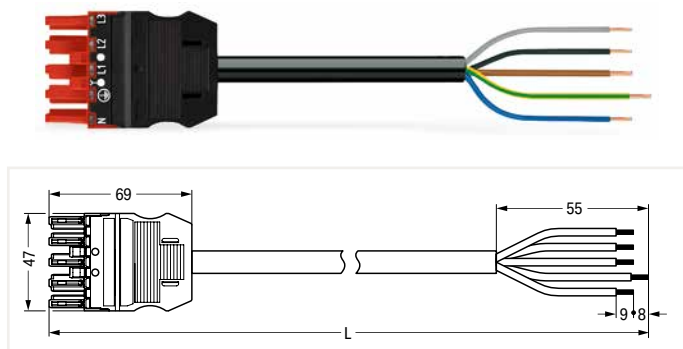
Cable Assembly ▶ WINSTA® MIDI ▶ 771 Series

No. of poles: 5 ▶ Protection class: IP20 ▶ 2.5 mm² ▶ Coding: P ▶ Marking: N ⊕ L1 L2 L3 ▶ Halogen-free ▶ Cable diameter: 11.2 ... 13.9 mm ▶ H05Z1Z1-F 5G2.5

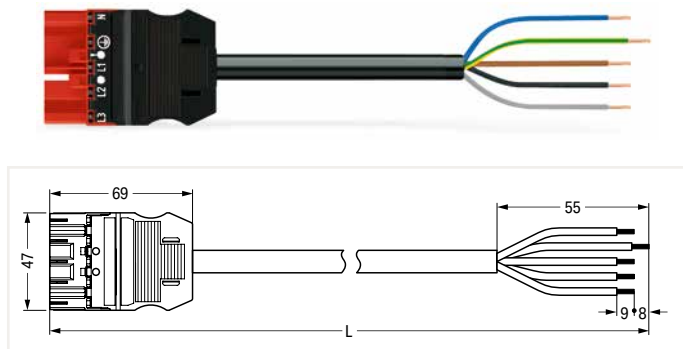
3



Interconnecting cable ▶ Socket - Plug			
Total length	Connector color/Strain relief color		PU
	red/black	red/white	
1 m	771-9975/017-101	771-9975/017-102	1
2 m	771-9975/017-201	771-9975/017-202	1
3 m	771-9975/017-301	771-9975/017-302	1
4 m	771-9975/017-401	771-9975/017-402	1
5 m	771-9975/017-501	771-9975/017-502	1
6 m	771-9975/017-601	771-9975/017-602	1
7 m	771-9975/017-701	771-9975/017-702	1
8 m	771-9975/017-801	771-9975/017-802	1



Connecting cable ▶ Socket - Free end ▶ Strip length: 55 mm			
Total length	Connector color/Strain relief color		PU
	red/black	red/white	
1 m	771-9975/117-101	771-9975/117-102	1
2 m	771-9975/117-201	771-9975/117-202	1
3 m	771-9975/117-301	771-9975/117-302	1
4 m	771-9975/117-401	771-9975/117-402	1
5 m	771-9975/117-501	771-9975/117-502	1
6 m	771-9975/117-601	771-9975/117-602	1
7 m	771-9975/117-701	771-9975/117-702	1
8 m	771-9975/117-801	771-9975/117-802	1



Connecting cable ▶ Plug - Free end ▶ Strip length: 55 mm			
Total length	Connector color/Strain relief color		PU
	red/black	red/white	
1 m	771-9975/217-101	771-9975/217-102	1
2 m	771-9975/217-201	771-9975/217-202	1
3 m	771-9975/217-301	771-9975/217-302	1
4 m	771-9975/217-401	771-9975/217-402	1
5 m	771-9975/217-501	771-9975/217-502	1
6 m	771-9975/217-601	771-9975/217-602	1
7 m	771-9975/217-701	771-9975/217-702	1
8 m	771-9975/217-801	771-9975/217-802	1

Accessories; for all products on this page



Locking lever, for flying leads; manually operated		
Color	Item No.	PU (SPU)
● black	770-101	100 (25)
○ white	770-121	100 (25)

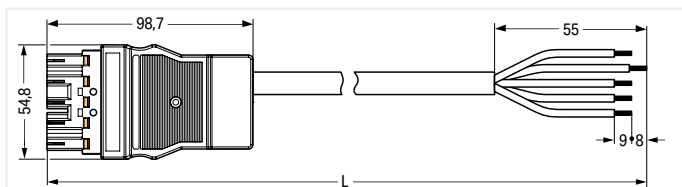
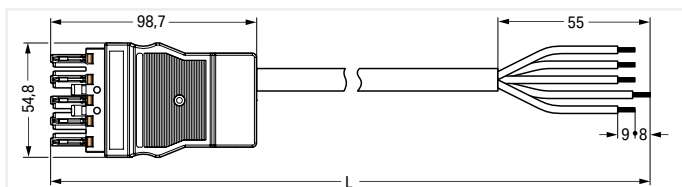
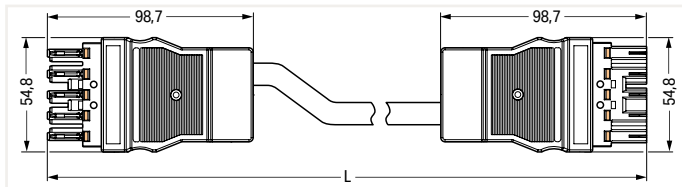
Locking lever, for flying leads; tool operated		
Color	Item No.	PU (SPU)
● black	770-111	100 (25)
○ white	770-131	100 (25)

PU = Packaging Unit; SPU = Subpackaging Unit; Dimensions in mm

Cable Assembly ▶ WINSTA® MIDI ▶ 771 Series

No. of poles: 5 ▶ Protection class: IP20 ▶ 4 mm² ▶ Coding: A ▶ Marking: N ⊕ L1 L2 L3 ▶ PVC ▶

Cable diameter: 13 ... 16.1 mm ▶ H05VV-F 5G4



Interconnecting cable ▶ Socket - Plug				
Total length	Connector color/Strain relief color			PU
	black/black			
1 m	771-8995/008-101			1
2 m	771-8995/008-201			1
3 m	771-8995/008-301			1
4 m	771-8995/008-401			1
5 m	771-8995/008-501			1
6 m	771-8995/008-601			1
7 m	771-8995/008-701			1
8 m	771-8995/008-801			1

Connecting cable ▶ Socket - Free end ▶ Strip length: 55 mm				
Total length	Connector color/Strain relief color			PU
	black/black			
1 m	771-8995/108-101			1
2 m	771-8995/108-201			1
3 m	771-8995/108-301			1
4 m	771-8995/108-401			1
5 m	771-8995/108-501			1
6 m	771-8995/108-601			1
7 m	771-8995/108-701			1
8 m	771-8995/108-801			1

Connecting cable ▶ Plug - Free end ▶ Strip length: 55 mm				
Total length	Connector color/Strain relief color			PU
	black/black			
1 m	771-8995/208-101			1
2 m	771-8995/208-201			1
3 m	771-8995/208-301			1
4 m	771-8995/208-401			1
5 m	771-8995/208-501			1
6 m	771-8995/208-601			1
7 m	771-8995/208-701			1
8 m	771-8995/208-801			1

3

Accessories; for all products on this page



Locking lever, for flying leads; manually operated		
Color	Item No.	PU (SPU)
● black	770-101	100 (25)
○ white	770-121	100 (25)

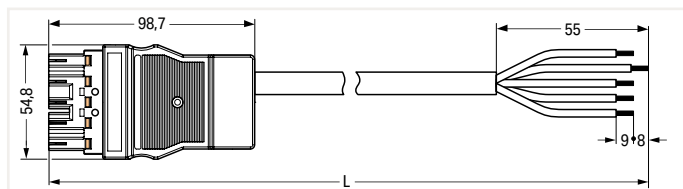
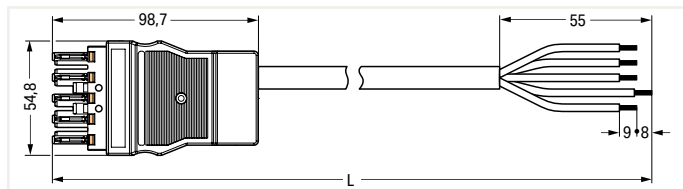
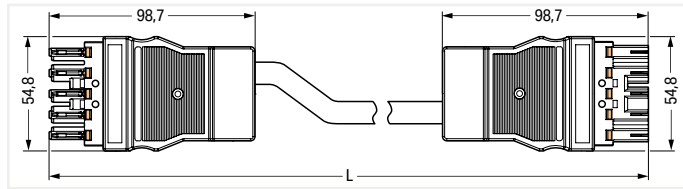
Locking lever, for flying leads; tool operated		
Color	Item No.	PU (SPU)
● black	770-111	100 (25)
○ white	770-131	100 (25)

PU = Packaging Unit; SPU = Subpackaging Unit; Dimensions in mm

Cable Assembly ▶ WINSTA® MIDI ▶ 771 Series

No. of poles: 5 ▶ Protection class: IP20 ▶ 4 mm² ▶ Coding: A ▶ Marking: N ⊕ L1 L2 L3 ▶ Halogen-free ▶ Cable diameter: 13 ... 16.1 mm ▶ H05Z1Z1-F 5G4

3



Interconnecting cable ▶ Socket - Plug

Total length	Connector color/Strain relief color			PU
	black/black			
1 m	771-8995/018-101			1
2 m	771-8995/018-201			1
3 m	771-8995/018-301			1
4 m	771-8995/018-401			1
5 m	771-8995/018-501			1
6 m	771-8995/018-601			1
7 m	771-8995/018-701			1
8 m	771-8995/018-801			1

Connecting cable ▶ Socket - Free end ▶ Strip length: 55 mm

Total length	Connector color/Strain relief color			PU
	black/black			
1 m	771-8995/118-101			1
2 m	771-8995/118-201			1
3 m	771-8995/118-301			1
4 m	771-8995/118-401			1
5 m	771-8995/118-501			1
6 m	771-8995/118-601			1
7 m	771-8995/118-701			1
8 m	771-8995/118-801			1

Connecting cable ▶ Plug - Free end ▶ Strip length: 55 mm

Total length	Connector color/Strain relief color			PU
	black/black			
1 m	771-8995/218-101			1
2 m	771-8995/218-201			1
3 m	771-8995/218-301			1
4 m	771-8995/218-401			1
5 m	771-8995/218-501			1
6 m	771-8995/218-601			1
7 m	771-8995/218-701			1
8 m	771-8995/218-801			1

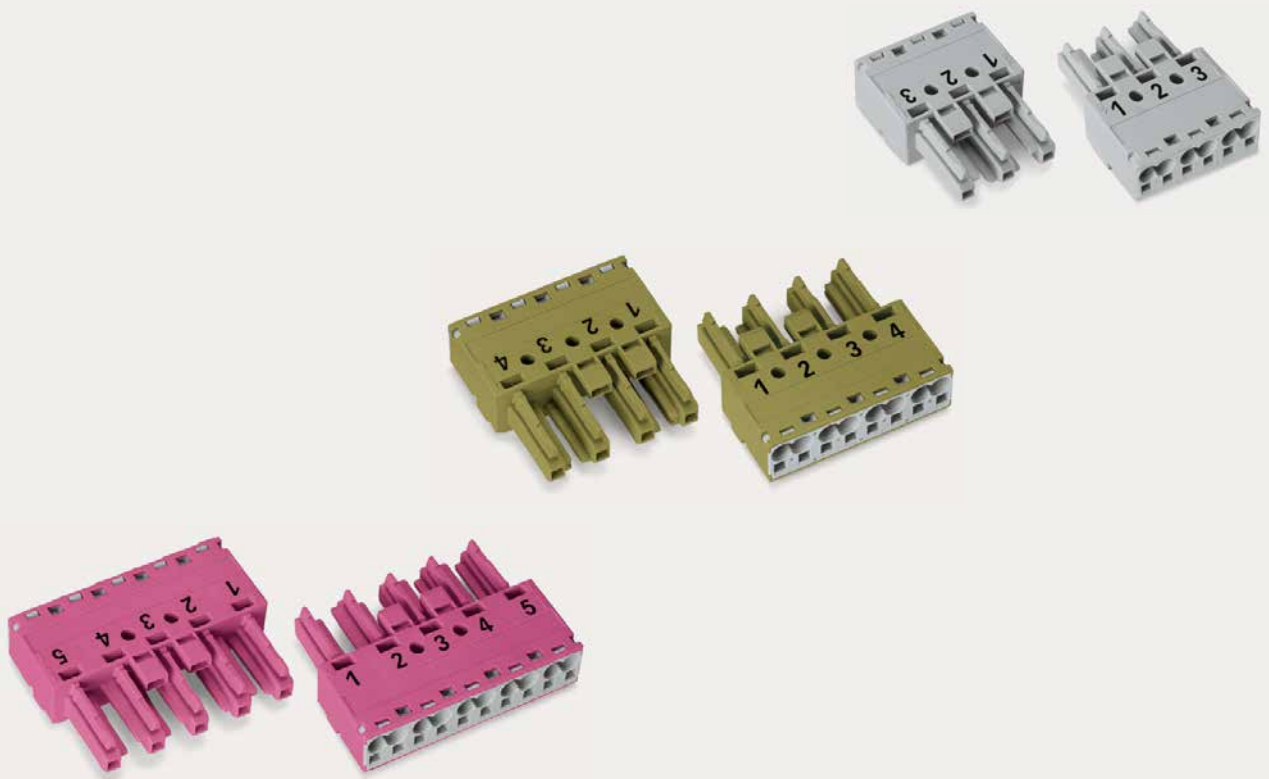
Accessories; for all products on this page



Locking lever, for flying leads; manually operated		
Color	Item No.	PU (SPU)
● black	770-101	100 (25)
○ white	770-121	100 (25)

Locking lever, for flying leads; tool operated		
Color	Item No.	PU (SPU)
● black	770-111	100 (25)
○ white	770-131	100 (25)

PU = Packaging Unit; SPU = Subpackaging Unit; Dimensions in mm



WAGO Pluggable Connection System *WINSTA*[®] MIDI special






Important note:

B-Coded components of the *WINSTA*[®] MIDI special series are designed for specialty applications (e.g., measurement, control and regulation technology) and certified per DIN EN 61984. In addition to the gray models rated from 110 to 400 V, there is now also a variant in light green for low voltages up to 48 V, as well as a pink one for bus applications. Each of the three versions is available in 2-, 3- or 4- and 5-pole configurations. Pole marking can be printed at the factory to suit customer requirements. B-coded products are protected against mismatching with all other coding types found in the *WINSTA*[®] system. Within B-coding, all special variants can mate with each other. The variable coding system provides clear circuit identification. Special variants can be clearly differentiated according to color and pole marking. They can be coded on-site or delivered with factory-installed custom coding.

WAGO Pluggable Connection System WINSTA® MIDI special ▶ 770, 771 Series

4 mm² / 25 A

- Note:**
- Installation connectors are designed for connection and disconnection while not under load.
 - There is no hazard-inducing interchangeability with systems based on IEC 60309, IEC 60320, IEC 60906 and with national connector and socket systems.
 - Compliance with the standards does not guarantee hazard-preventing, non-interchangeability with installation connector systems from various manufacturers.
 - Installation connector systems are not a substitute for residential connector/socket systems.

		Page
	Pluggable Connectors; 770 Series	
	2-pole	310
	3-pole	322
	4-pole	340
	5-pole	356
	Snap-In Device Connectors; 770 Series	
	3-pole	326
	4-pole	342
	5-pole	358
	Pluggable PCB Connectors; 770 Series	
	3-pole	328
	4-pole	344
	Distribution Connectors; 770 Series	
	2-pole	312
	3-pole	332
	4-pole	348
	5-pole	364
	Cable Assemblies; 771 Series	
	2-pole	318
	3-pole	336
	4-pole	352
	5-pole	368

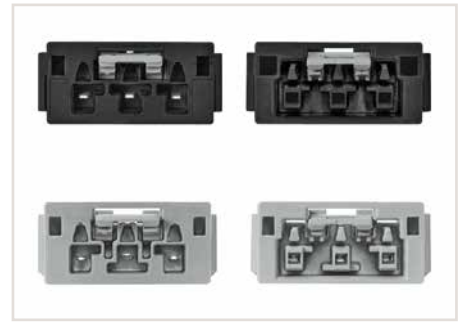
WINSTA® MIDI special ▶ 770, 771 Series Description and Installation



Gray, B-coded connector with "3 2 1" marking, e.g., control signal (A circuit)

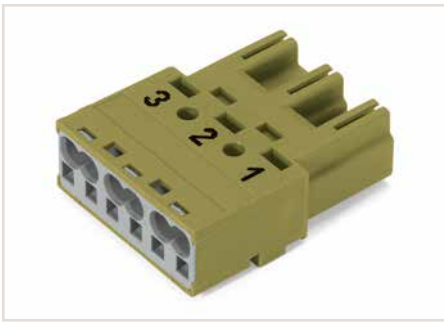


Easy circuit identification via different marking and colors

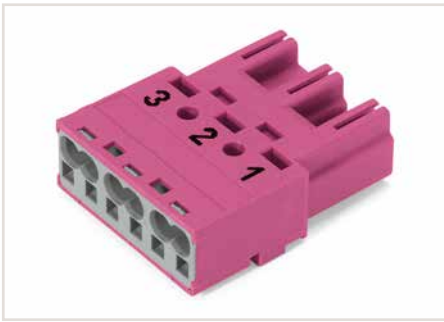


B-coded connectors (shown in gray) not only differ in color, but also in their design, making them incompatible with other coded connectors.

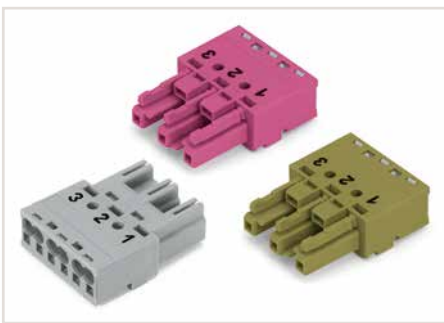
4



Light green, B-coded connector with "3 2 1" marking, e.g., DC power supply (24 V circuit)



Pink, B-coded connector with "3 2 1" marking, e.g., control signal (B circuit)

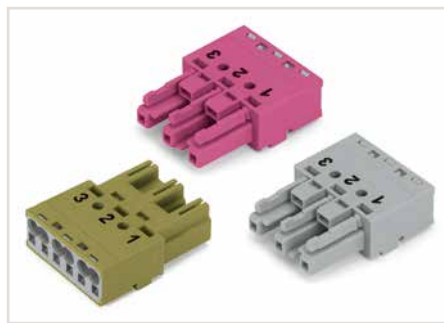


B-coded connectors with different colors can be plugged together.

Important note:

Different colors and/or pole markings are used for circuit identification.

Only connectors of the same color and same pole marking must be plugged together.



Installation notes for conductor connection, shield termination, operating tools and mounting aids for WINSTA® MIDI special pluggable connectors, see page 172.

Pluggable Connector ▶ WINSTA® MIDI special ▶ 770 Series

No. of poles: 2



- Protected against mismatching and maintenance-free
- Push-in CAGE CLAMP® spring pressure connection technology allows solid conductors to be simply pushed into a unit
- Two-wire connection per pole for loops or bridges
- Components can be clearly printed on and color-coded to meet custom requirements

Electrical Data

Ratings per	IEC/EN 60664-1		
Overvoltage category	III	III	II
Pollution degree	3	2	2
Rated voltage	250 V	-	-
Rated impulse voltage	4 kV	-	-
Rated current	25 A	-	-
Approvals per	UL 1977		
Rated voltage	600 V		
Rated current	23 A		

Connection Data

Connection technology	Push-in CAGE CLAMP®
Strip length	9 mm / 0.35 Inch
Nominal cross section	4 mm ²
Solid conductor	0.5 ... 4 mm ² / 20 ... 12 AWG
Solid conductor, push-in termination	1.5 ... 4 mm ² / 16 ... 12 AWG
Stranded conductor	0.5 ... 2.5 mm ² / 20 ... 14 AWG
Fine-stranded conductor	0.5 ... 4 mm ² / 20 ... 12 AWG
Fine-stranded conductor with ferrule with plastic collar	0.25 ... 1.5 mm ² / 20 ... 16 AWG
Fine-stranded conductor with ferrule without plastic collar	0.25 ... 2.5 mm ² / 20 ... 14 AWG
Fine-stranded conductor with ferrule, push-in termination, from	1.5 mm ² / 16 AWG

Material Data

Insulating material	Polyamide 66 (PA 66)
Flammability class per UL94	V0
Clamping spring material	Chrome nickel spring steel (CrNi)
Contact material	Copper or copper alloy, surface-treated

Mechanical Data

Mating force of a plug-in connection	Approx. 20 ... 70 N (depending on pole number)
Unmating force of a plug-in connection	When unlocked: approx. 20 ... 70 N (depending on pole number)
Retention force of a plug-in connection	When locked: > 80 N
Protection class	IP20
Note on protection class	Only in mated condition with strain relief housing (These compact connectors are not designed for use in open, easily accessible areas.)

Environmental Requirements

Processing temperature	-5 ... +40 °C
Continuous operating temperature	-35 ... +85 °C
Note on continuous service temperature	Insulating parts for temperatures ≤ 105 °C

All connectors for mounted installations (snap-in versions for lighting fixtures or devices, all types of PCB and distribution connectors) are factory-equipped with locking levers to ensure plugs and sockets are securely locked. Additional locking levers are only required for flying leads (plug/socket).

Application note for the U.S. market (USR): Some versions may also be used for current interruption in accordance with the UL certificate in select applications with currents below 16 A and voltages up to 600 V. For further information, please contact your local sales office.

General accessory Page 496

Strain relief Page 489

Tools Page 506

Additional information, see "Technical Section"

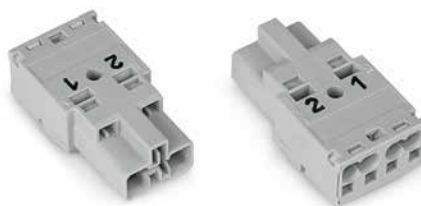
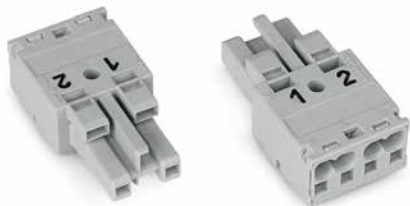
Approvals and corresponding ratings, visit www.wago.com

Pluggable Connector ▶ WINSTA® MIDI special ▶ 770 Series

No. of poles: 2

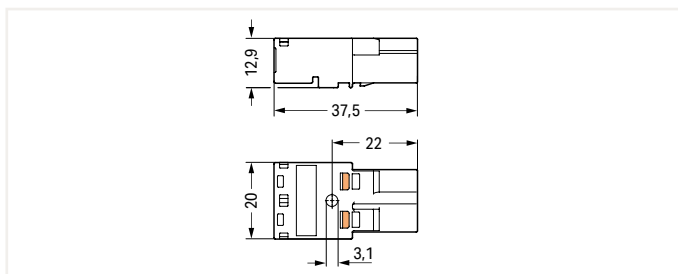
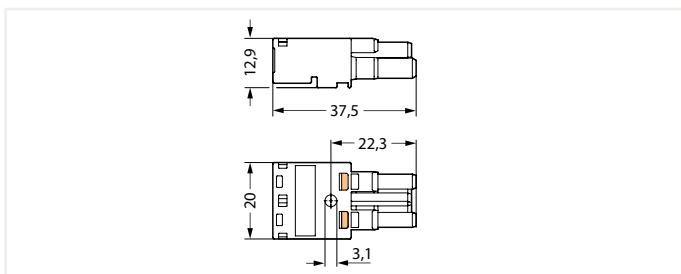
Female connector/socket

Male connector/plug



Color	Coding	Marking	Item No.	PU
gray	B	1 2	770-242	100
gray	B	L N	770-242/060-000	100
light green	B	1 2	770-262	100
pink	B	+ -	770-282/082-000	100
pink	B	1 2	770-282	100
pink	B	I+ I-	770-282/080-000	100

Color	Coding	Marking	Item No.	PU
gray	B	1 2	770-252	100
gray	B	L N	770-252/060-000	100
light green	B	1 2	770-272	100
pink	B	+ -	770-292/082-000	100
pink	B	1 2	770-292	100
pink	B	I+ I-	770-292/080-000	100



Item-Specific Accessories

Item-Specific Accessories



Lockout cap; for socket; separable; No. of poles: 12

Color	Item No.	PU
black	770-201	100
white	770-221	100

Lockout cap; for plug; separable; No. of poles: 5

Color	Item No.	PU
yellow	770-360	100

Accessories; for all products on this page



Locking lever, for flying leads; manually operated		
Color	Item No.	PU (SPU)
black	770-101	100 (25)
white	770-121	100 (25)

Locking lever, for flying leads; tool operated		
Color	Item No.	PU (SPU)
black	770-111	100 (25)
white	770-131	100 (25)

Operating tool; for WINSTA® MIDI connectors; No. of poles: 2		
Item No.	PU	
770-382	1	



Strain relief housing; Connectable sheathed cable diameter: 5 ... 9 mm; Strip length: 35 mm

Color	Item No.	PU
black	770-502/042-000	50
white	770-512/042-000	50

PU = Packaging Unit; SPU = Subpackaging Unit; Dimensions in mm

Other variants can be requested via the WAGO sales department or, if necessary, configured at <https://configurator.wago.com/>:

- Other pole markings

Distribution Connector ▶ WINSTA® MIDI special ▶ 770 Series

No. of poles: 2



- Protected against mismatching and maintenance-free
- Push-in CAGE CLAMP® spring pressure connection technology allows solid conductors to be simply pushed into a unit
- Two-wire connection per pole for loops or bridges
- Components can be clearly printed on and color-coded to meet custom requirements

Electrical Data

Ratings per	IEC/EN 60664-1		
Overvoltage category	III	III	II
Pollution degree	3	2	2
Rated voltage	250 V	-	-
Rated impulse voltage	4 kV	-	-
Rated current	25 A	-	-
Approvals per	UL 1977		
Rated voltage	600 V		
Rated current	23 A		

Material Data

Insulating material	Polyamide 66 (PA 66)
Flammability class per UL94	V0
Contact material	Copper or copper alloy, surface-treated

Mechanical Data

Mating force of a plug-in connection	Approx. 20 ... 70 N (depending on pole number)
Unmating force of a plug-in connection	When unlocked: approx. 20 ... 70 N (depending on pole number)
Retention force of a plug-in connection	When locked: > 80 N
Protection class	IP20
Note on protection class	Only in mated condition (These compact connectors are not designed for use in open, easily accessible areas.)

Environmental Requirements

Processing temperature	-5 ... +40 °C
Continuous operating temperature	-35 ... +85 °C
Note on continuous service temperature	Insulating parts for temperatures ≤ 105 °C

All connectors for mounted installations (snap-in versions for lighting fixtures or devices, all types of PCB and distribution connectors) are factory-equipped with locking levers to ensure plugs and sockets are securely locked. Additional locking levers are only required for flying leads (plug/socket).

Application note for the U.S. market (USR): Some versions may also be used for current interruption in accordance with the UL certificate in select applications with currents below 16 A and voltages up to 600 V. For further information, please contact your local sales office.

Additional information, see "Technical Section"

Approvals and corresponding ratings, visit www.wago.com

Distribution Connector ▶ WINSTA® MIDI special ▶ 770 Series

No. of poles: 2

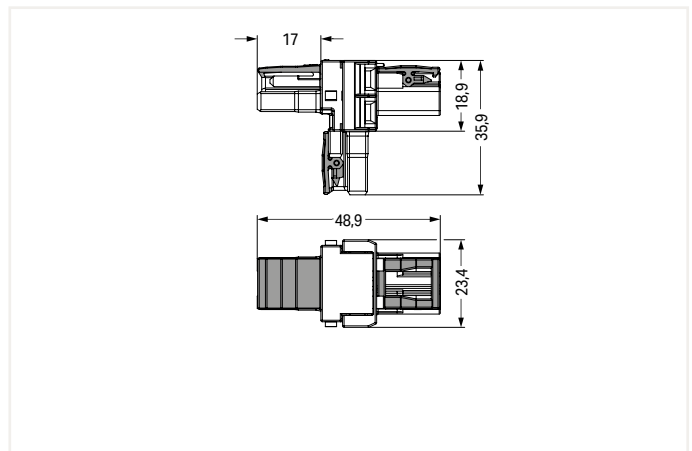
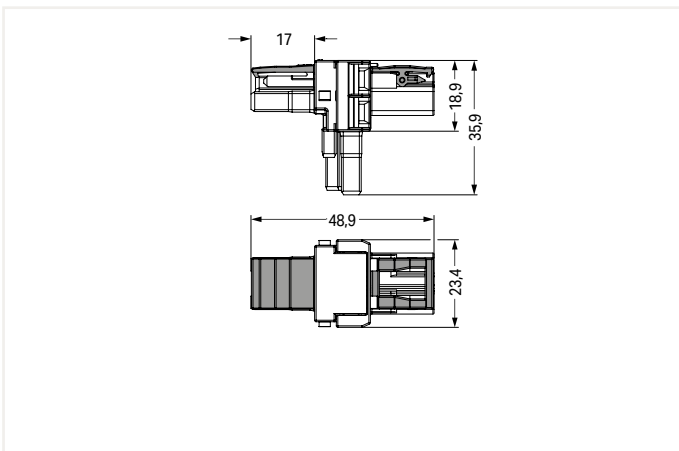
T-distribution connector ▶ Number of locking levers: 2

T-distribution connector ▶ Number of locking levers: 3



Color	Coding	Marking	Item No.	PU
gray	B	1 2	770-1601	50
light green	B	1 2	770-1602	50
pink	B	1 2	770-1603	50

Color	Coding	Marking	Item No.	PU
gray	B	1 2	770-1701	50
light green	B	1 2	770-1702	50
pink	B	1 2	770-1703	50



4

Accessories; for all products on this page



Lockout cap; for socket; separable; No. of poles: 12

Color	Item No.	PU
● black	770-201	100
○ white	770-221	100

Mounting adapter; for T-distribution connector; for 2- to 5-pole

Item No.	PU
770-354	50

Lockout cap; for plug; separable; No. of poles: 5

Color	Item No.	PU
● yellow	770-360	100

PU = Packaging Unit; SPU = Subpackaging Unit; Dimensions in mm

Other variants can be requested via the WAGO sales department or, if necessary, configured at <https://configurator.wago.com/>:

- Other pole markings

Distribution Connector ▶ WINSTA® MIDI special ▶ 770 Series

No. of poles: 2

h-distribution connector, bi-directional ▶ Number of locking levers: 2

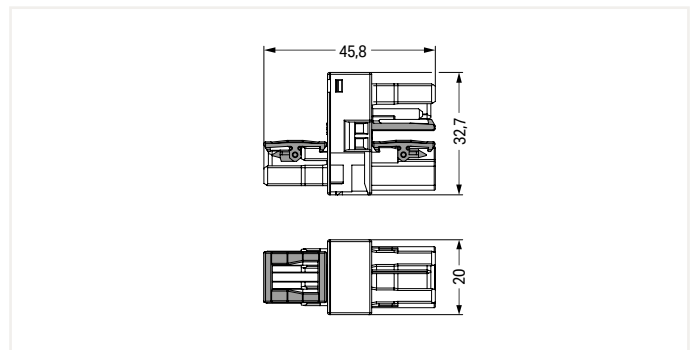
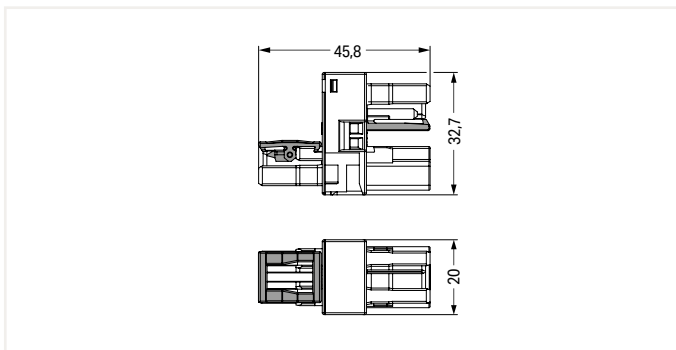
h-distribution connector, bi-directional ▶ Number of locking levers: 3 ▶ for flying leads



Color	Coding	Marking	Item No.	PU
● gray	B	1 2	770-1608	50
● light green	B	1 2	770-1609	50
● pink	B	1 2	770-1610	50

Color	Coding	Marking	Item No.	PU
● gray	B	1 2	770-1658	50
● light green	B	1 2	770-1659	50
● pink	B	1 2	770-1660	50

4



Accessories; for all products on this page



Mounting plate; for distribution connector; No. of poles: 2

Color	Item No.	PU
● black	770-1626	25
○	770-1627	25

Lockout cap; for socket; separable; No. of poles: 12

Color	Item No.	PU
● black	770-201	100
○ white	770-221	100

Lockout cap; for plug; separable; No. of poles: 5

Color	Item No.	PU
● yellow	770-360	100

PU = Packaging Unit; SPU = Subpackaging Unit; Dimensions in mm

Other variants can be requested via the WAGO sales department or, if necessary, configured at <https://configurator.wago.com/>:

- Other pole markings

Distribution Connector ▶ WINSTA® MIDI special ▶ 770 Series

No. of poles: 2

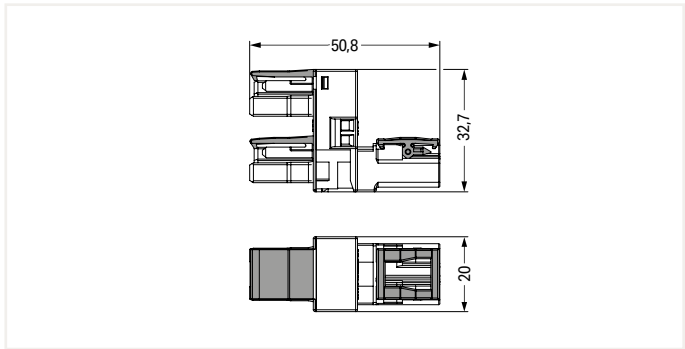
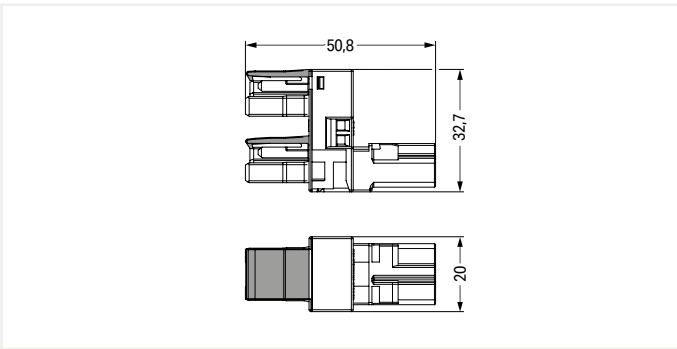
h-distribution connector, unidirectional ▶ Number of locking levels: 2

h-distribution connector, unidirectional ▶ Number of locking levels: 3



Color	Coding	Marking	Item No.	PU
● gray	B	1 2	770-1651	50
● light green	B	1 2	770-1652	50
● pink	B	1 2	770-1653	50

Color	Coding	Marking	Item No.	PU
● gray	B	1 2	770-1751	50
● light green	B	1 2	770-1752	50
● pink	B	1 2	770-1753	50



4

Accessories; for all products on this page



Mounting plate; for distribution connector; No. of poles: 2		
Color	Item No.	PU
● black	770-1626	25
○	770-1627	25

Lockout cap; for socket; separable; No. of poles: 12		
Color	Item No.	PU
● black	770-201	100
○ white	770-221	100

Lockout cap; for plug; separable; No. of poles: 5		
Color	Item No.	PU
● yellow	770-360	100

PU = Packaging Unit; SPU = Subpackaging Unit; Dimensions in mm

Other variants can be requested via the WAGO sales department or, if necessary, configured at <https://configurator.wago.com/>:

- Other pole markings

Distribution Connector ▶ WINSTA® MIDI special ▶ 770 Series

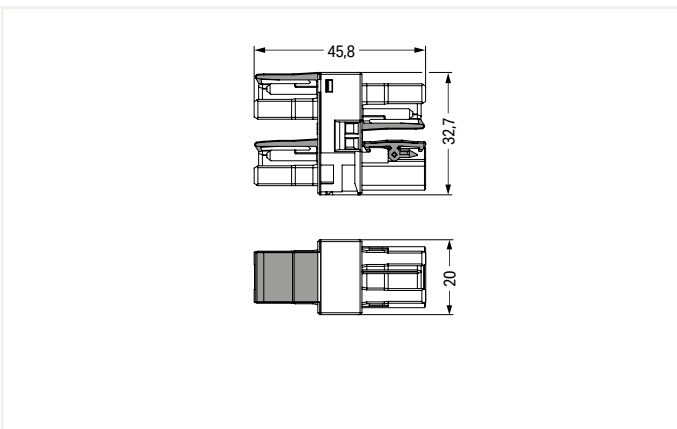
No. of poles: 2

Distribution connector, 3-way



Color	Coding	Marking	Item No.	PU
gray	B	1 2	770-1704	50
light green	B	1 2	770-1705	50
pink	B	1 2	770-1706	50

4



Accessories; for all products on this page



Mounting plate; for distribution connector; No. of poles: 2

Color	Item No.	PU
● black	770-1626	25
○	770-1627	25



Lockout cap; for socket; separable; No. of poles: 12

Color	Item No.	PU
● black	770-201	100
○ white	770-221	100



Lockout cap; for plug; separable; No. of poles: 5

Color	Item No.	PU
● yellow	770-360	100

PU = Packaging Unit; SPU = Subpackaging Unit; Dimensions in mm

Other variants can be requested via the WAGO sales department or, if necessary, configured at <https://configurator.wago.com/>:

- Other pole markings

Cable Assembly ▶ WINSTA® MIDI special ▶ 771 Series

No. of poles: 2 ▶ Protection class: IP20 ▶ Coding: B ▶ Marking: 1 2 ▶ PVC



- Protected against mismatching and maintenance-free
- Push-in CAGE CLAMP® spring pressure connection technology allows solid conductors to be simply pushed into a unit
- Two-wire connection per pole for loops or bridges
- Components can be clearly printed on and color-coded to meet custom requirements

Electrical Data

Cross section of single conductor	1 mm ²			1.5 mm ²		
	IEC/EN 60664-1					
Ratings per	IEC/EN 60664-1			IEC/EN 60664-1		
Overvoltage category	III	III	II	III	III	II
Pollution degree	3	2	2	3	2	2
Rated voltage	250 V	-	-	250 V	-	-
Rated impulse voltage	4 kV	-	-	4 kV	-	-
Rated current	10 A	-	-	16 A	-	-
Approvals per	UL 1977			UL 1977		
Rated voltage	600 V			600 V		
Rated current	23 A			23 A		

Material Data

Insulating material	Polyamide 66 (PA 66)
Flammability class per UL94	V0
Contact material	Copper or copper alloy, surface-treated

Mechanical Data

Mating force of a plug-in connection	approx. 20 ... 70 N (depending on pole number)
Unmating force of a plug-in connection	when unlocked: approx. 20 ... 70 N (depending on pole number)
Retention force of a plug-in connection	when locked: > 80N
Protection class	IP20
Note on protection class	Only in mated condition with strain relief housing (These compact connectors are not designed for use in open, easily accessible areas.)

Environmental Requirements

Processing temperature	-5 ... +40 °C
Continuous operating temperature	-35 ... +85 °C
Note on continuous service temperature	PVC cable for temperatures ≤ 70 °C (including halogen-free) Insulating parts for temperatures ≤ 105 °C

Cables with different fire load are available in the eShop

Application note for the U.S. market (USR): Some versions may also be used for current interruption in accordance with the UL certificate in select applications with currents below 16 A and voltages up to 600 V. For further information, please contact your local sales office.

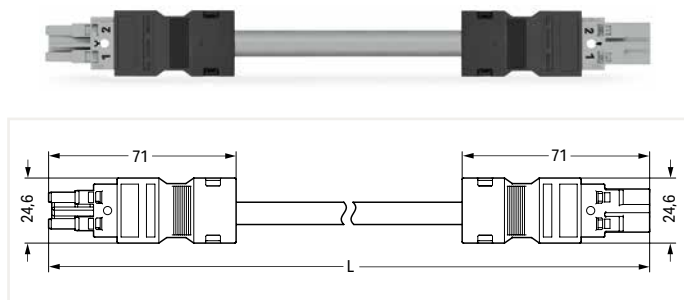
Marking Page 511

Additional information, see "Technical Section"

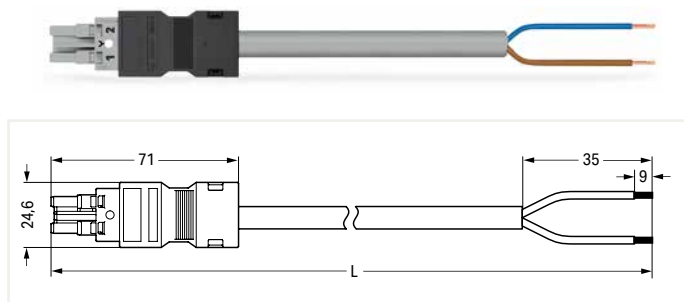
Approvals and corresponding ratings, visit www.wago.com

Cable Assembly ▶ WINSTA® MIDI special ▶ 771 Series

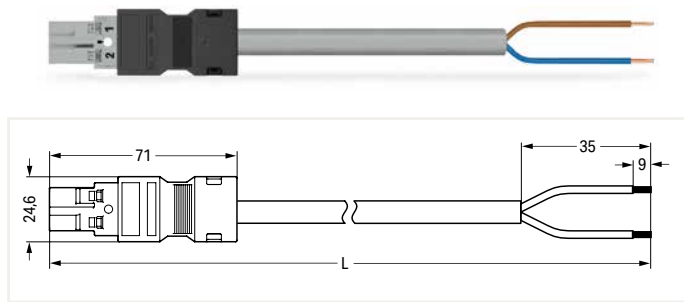
No. of poles: 2 ▶ Protection class: IP20 ▶ Coding: B ▶ Marking: 1 2 ▶ PVC ▶ 1 mm² ▶ Cable diameter: 5.9 ... 7.5 mm ▶ Control line 2 x 1



Interconnecting cable ▶ Socket - Plug				
Total length	Connector color/Strain relief color			PU
	gray/black	light green/black	pink/black	
1 m	771-8992/005-103	771-8992/005-105	771-8992/005-107	1
2 m	771-8992/005-203	771-8992/005-205	771-8992/005-207	1
3 m	771-8992/005-303	771-8992/005-305	771-8992/005-307	1
4 m	771-8992/005-403	771-8992/005-405	771-8992/005-407	1
5 m	771-8992/005-503	771-8992/005-505	771-8992/005-507	1
6 m	771-8992/005-603	771-8992/005-605	771-8992/005-607	1
7 m	771-8992/005-703	771-8992/005-705	771-8992/005-707	1
8 m	771-8992/005-803	771-8992/005-805	771-8992/005-807	1



Connecting cable ▶ Socket - Free end				
Total length	Connector color/Strain relief color			PU
	gray/black	light green/black	pink/black	
1 m	771-8992/105-103	771-8992/105-105	771-8992/105-107	1
2 m	771-8992/105-203	771-8992/105-205	771-8992/105-207	1
3 m	771-8992/105-303	771-8992/105-305	771-8992/105-307	1
4 m	771-8992/105-403	771-8992/105-405	771-8992/105-407	1
5 m	771-8992/105-503	771-8992/105-505	771-8992/105-507	1
6 m	771-8992/105-603	771-8992/105-605	771-8992/105-607	1
7 m	771-8992/105-703	771-8992/105-705	771-8992/105-707	1
8 m	771-8992/105-803	771-8992/105-805	771-8992/105-807	1



Connecting cable ▶ Plug - Free end				
Total length	Connector color/Strain relief color			PU
	gray/black	light green/black	pink/black	
1 m	771-8992/205-103	771-8992/205-105	771-8992/205-107	1
2 m	771-8992/205-203	771-8992/205-205	771-8992/205-207	1
3 m	771-8992/205-303	771-8992/205-305	771-8992/205-307	1
4 m	771-8992/205-403	771-8992/205-405	771-8992/205-407	1
5 m	771-8992/205-503	771-8992/205-505	771-8992/205-507	1
6 m	771-8992/205-603	771-8992/205-605	771-8992/205-607	1
7 m	771-8992/205-703	771-8992/205-705		1
8 m	771-8992/205-803	771-8992/205-805		1

4

Accessories; for all products on this page



Locking lever, for flying leads; manually operated		
Color	Item No.	PU (SPU)
● black	770-101	100 (25)
○ white	770-121	100 (25)

Locking lever, for flying leads; tool operated		
Color	Item No.	PU (SPU)
● black	770-111	100 (25)
○ white	770-131	100 (25)

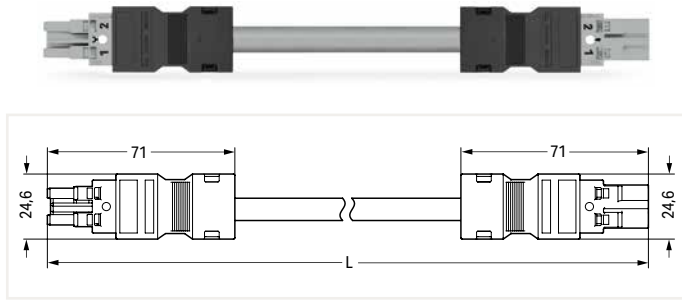
PU = Packaging Unit; SPU = Subpackaging Unit; Dimensions in mm

Other variants can be requested via the WAGO sales department or, if necessary, configured at <https://configurator.wago.com/>:

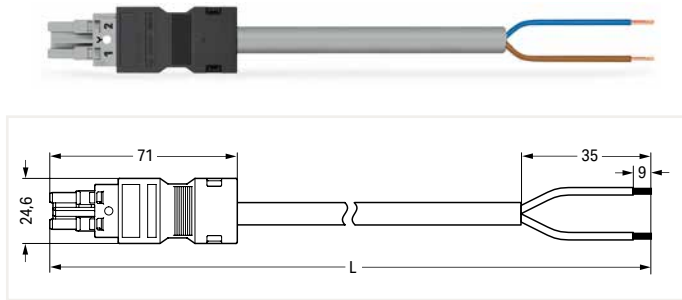
- Other pole markings

Cable Assembly ▶ WINSTA® MIDI special ▶ 771 Series

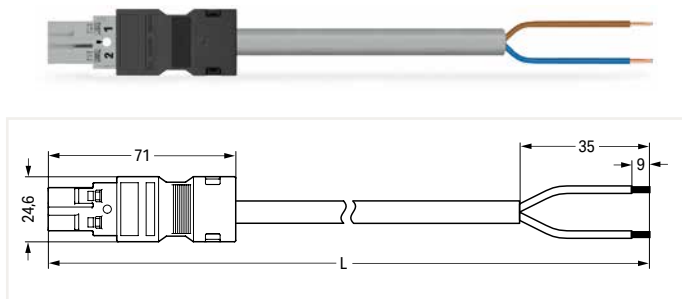
No. of poles: 2 ▶ Protection class: IP20 ▶ Coding: B ▶ Marking: 1 2 ▶ PVC ▶ 1.5 mm² ▶ Cable diameter: 6.8 ... 8.6 mm ▶ Control line 2 x 1.5



Interconnecting cable ▶ Socket - Plug				
Total length	Connector color/Strain relief color			PU
	gray/black	light green/black	pink/black	
1 m	771-8992/006-103	771-8992/006-105	771-8992/006-107	1
2 m	771-8992/006-203	771-8992/006-205	771-8992/006-207	1
3 m	771-8992/006-303	771-8992/006-305	771-8992/006-307	1
4 m	771-8992/006-403	771-8992/006-405	771-8992/006-407	1
5 m	771-8992/006-503	771-8992/006-505	771-8992/006-507	1
6 m	771-8992/006-603	771-8992/006-605	771-8992/006-607	1
7 m	771-8992/006-703	771-8992/006-705	771-8992/006-707	1
8 m	771-8992/006-803	771-8992/006-805	771-8992/006-807	1



Connecting cable ▶ Socket - Free end				
Total length	Connector color/Strain relief color			PU
	gray/black	light green/black	pink/black	
1 m	771-8992/106-103	771-8992/106-105	771-8992/106-107	1
2 m	771-8992/106-203	771-8992/106-205	771-8992/106-207	1
3 m	771-8992/106-303	771-8992/106-305	771-8992/106-307	1
4 m	771-8992/106-403	771-8992/106-405	771-8992/106-407	1
5 m	771-8992/106-503	771-8992/106-505	771-8992/106-507	1
6 m	771-8992/106-603	771-8992/106-605	771-8992/106-607	1
7 m	771-8992/106-703	771-8992/106-705	771-8992/106-707	1
8 m	771-8992/106-803	771-8992/106-805	771-8992/106-807	1



Connecting cable ▶ Plug - Free end				
Total length	Connector color/Strain relief color			PU
	gray/black	light green/black	pink/black	
1 m	771-8992/206-103	771-8992/206-105	771-8992/206-107	1
2 m	771-8992/206-203	771-8992/206-205	771-8992/206-207	1
3 m	771-8992/206-303	771-8992/206-305	771-8992/206-307	1
4 m	771-8992/206-403	771-8992/206-405	771-8992/206-407	1
5 m	771-8992/206-503	771-8992/206-505	771-8992/206-507	1
6 m	771-8992/206-603	771-8992/206-605	771-8992/206-607	1
7 m	771-8992/206-703	771-8992/206-705	771-8992/206-707	1
8 m	771-8992/206-803	771-8992/206-805	771-8992/206-807	1

4

Accessories; for all products on this page



Locking lever, for flying leads; manually operated		
Color	Item No.	PU (SPU)
● black	770-101	100 (25)
○ white	770-121	100 (25)

Locking lever, for flying leads; tool operated		
Color	Item No.	PU (SPU)
● black	770-111	100 (25)
○ white	770-131	100 (25)

PU = Packaging Unit; SPU = Subpackaging Unit; Dimensions in mm

Other variants can be requested via the WAGO sales department or, if necessary, configured at <https://configurator.wago.com/>:

- Other pole markings

Pluggable Connector ▶ WINSTA® MIDI special ▶ 770 Series

No. of poles: 3



- Protected against mismatching and maintenance-free
- Push-in CAGE CLAMP® spring pressure connection technology allows solid conductors to be simply pushed into a unit
- Two-wire connection per pole for loops or bridges
- Additional variable coding is possible
- Components can be clearly printed on and color-coded to meet custom requirements

Electrical Data

Ratings per	IEC/EN 60664-1		
Overvoltage category	III	III	II
Pollution degree	3	2	2
Rated voltage	250 V	-	-
Rated impulse voltage	4 kV	-	-
Rated current	25 A	-	-
Approvals per	UL 1977		
Rated voltage	600 V		
Rated current	23 A		

Connection Data

Connection technology	Push-in CAGE CLAMP®
Strip length	9 mm / 0.35 Inch
Nominal cross section	4 mm ²
Solid conductor	0.5 ... 4 mm ² / 20 ... 12 AWG
Solid conductor, push-in termination	1.5 ... 4 mm ² / 16 ... 12 AWG
Stranded conductor	0.5 ... 2.5 mm ² / 20 ... 14 AWG
Fine-stranded conductor	0.5 ... 4 mm ² / 20 ... 12 AWG
Fine-stranded conductor with ferrule with plastic collar	0.25 ... 1.5 mm ² / 20 ... 16 AWG
Fine-stranded conductor with ferrule without plastic collar	0.25 ... 2.5 mm ² / 20 ... 14 AWG
Fine-stranded conductor with ferrule, push-in termination, from	1.5 mm ² / 16 AWG

Material Data

Insulating material	Polyamide 66 (PA 66)
Flammability class per UL94	V0
Clamping spring material	Chrome nickel spring steel (CrNi)
Contact material	Copper or copper alloy, surface-treated

Mechanical Data

Mating force of a plug-in connection	Approx. 20 ... 70 N (depending on pole number)
Unmating force of a plug-in connection	When unlocked: approx. 20 ... 70 N (depending on pole number)
Retention force of a plug-in connection	When locked: > 80 N
Protection class	IP20
Note on protection class	Only in mated condition with strain relief housing (These compact connectors are not designed for use in open, easily accessible areas.)

Environmental Requirements

Processing temperature	-5 ... +40 °C
Continuous operating temperature	-35 ... +85 °C
Note on continuous service temperature	Insulating parts for temperatures ≤ 105 °C

All connectors for mounted installations (snap-in versions for lighting fixtures or devices, all types of PCB and distribution connectors) are factory-equipped with locking levers to ensure plugs and sockets are securely locked. Additional locking levers are only required for flying leads (plug/socket).

Application note for the U.S. market (USR): Some versions may also be used for current interruption in accordance with the UL certificate in select applications with currents below 16 A and voltages up to 600 V. For further information, please contact your local sales office.

Coding	Page 486
Marking	Page 511
Strain relief	Page 490
Tools	Page 506
Additional information, see "Technical Section"	
Approvals and corresponding ratings, visit www.wago.com	

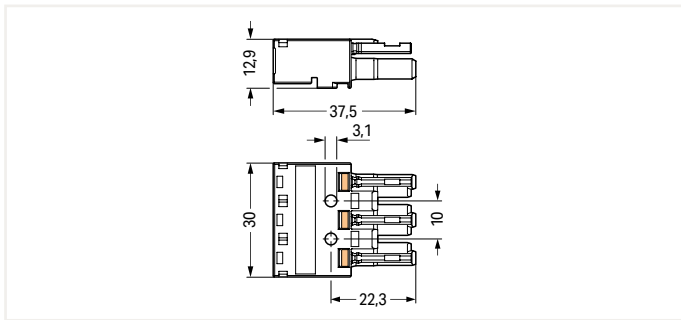
Pluggable Connector ▶ WINSTA® MIDI special ▶ 770 Series

No. of poles: 3

Female connector/socket



Color	Coding	Marking	Item No.	PU
gray	B	1 2 3	770-243	100
gray	B	L ⊕ N	770-243/060-000	100
gray	B	2 PE 1	770-243/062-000	100
gray	B	1 2 5	770-243/081-000	100
light green	B	1 2 3	770-263	100
light green	B	U+ X/Y U-	770-263/071-000	100
light green	B	1 ⊕ 2	770-263/073-000	100
pink	B	1 2 3	770-283	100
pink	B	1 2 5	770-283/081-000	100
pink	B	+ S -	770-283/082-000	100



Accessories; for all products on this page



Locking lever, for flying leads; manually operated		
Color	Item No.	PU (SPU)
● black	770-101	100 (25)
○ white	770-121	100 (25)



Locking lever, for flying leads; tool operated		
Color	Item No.	PU (SPU)
● black	770-111	100 (25)
○ white	770-131	100 (25)



Lockout cap; for socket; separable; No. of poles: 12		
Color	Item No.	PU
● black	770-201	100
○ white	770-221	100



Operating tool; for WINSTA® MIDI connectors; No. of poles: 3		
Item No.	PU	
770-383	1	



Strain relief housing; Connectable sheathed cable diameter: 8 ... 11.5 mm; Strip length: 55 mm		
Color	Item No.	PU
● black	770-503	50
○ white	770-513	50

PU = Packaging Unit; SPU = Subpackaging Unit; Dimensions in mm

Other variants can be requested via the WAGO sales department or, if necessary, configured at <https://configurator.wago.com/>:

- Other pole markings

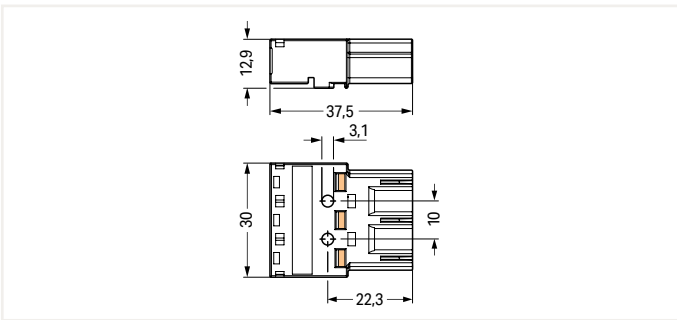
Pluggable Connector ▶ WINSTA® MIDI special ▶ 770 Series

No. of poles: 3

Male connector/plug



Color	Coding	Marking	Item No.	PU
gray	B	1 2 3	770-253	100
gray	B	L ⊕ N	770-253/060-000	100
gray	B	2 PE 1	770-253/062-000	100
gray	B	1 2 5	770-253/081-000	100
light green	B	1 2 3	770-273	100
light green	B	U+ X/Y U-	770-273/071-000	100
light green	B	1 ⊕ 2	770-273/073-000	100
pink	B	1 2 3	770-293	100
pink	B	1 2 5	770-293/081-000	100
pink	B	+ S -	770-293/082-000	100



Accessories; for all products on this page



Locking lever, for flying leads; manually operated		
Color	Item No.	PU (SPU)
● black	770-101	100 (25)
○ white	770-121	100 (25)



Locking lever, for flying leads; tool operated		
Color	Item No.	PU (SPU)
● black	770-111	100 (25)
○ white	770-131	100 (25)



Lockout cap; for plug; separable; No. of poles: 5		
Color	Item No.	PU
● yellow	770-360	100



Operating tool; for WINSTA® MIDI connectors; No. of poles: 3		
Item No.	PU	
770-383	1	



Strain relief housing; Connectable sheathed cable diameter: 8 ... 11.5 mm; Strip length: 55 mm		
Color	Item No.	PU
● black	770-503	50
○ white	770-513	50

PU = Packaging Unit; SPU = Subpackaging Unit; Dimensions in mm

Other variants can be requested via the WAGO sales department or, if necessary, configured at <https://configurator.wago.com/>:

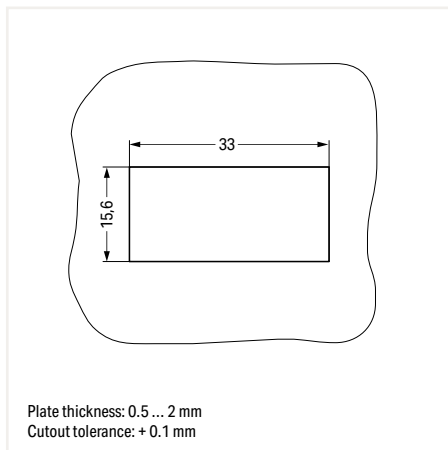
- Other pole markings

Snap-In Device Connector ▶ WINSTA® MIDI special ▶ 770 Series

No. of poles: 3



- Protected against mismatching and maintenance-free
- Push-in CAGE CLAMP® spring pressure connection technology allows solid conductors to be simply pushed into a unit
- Two-wire connection per pole for loops or bridges
- Additional variable coding is possible
- Components can be clearly printed on and color-coded to meet custom requirements



Electrical Data

Ratings per	IEC/EN 60664-1		
Overtoltage category	III	III	II
Pollution degree	3	2	2
Rated voltage	250 V	-	-
Rated impulse voltage	4 kV	-	-
Rated current	25 A	-	-
Approvals per	UL 1977		
Rated voltage	600 V		
Rated current	23 A		

Connection Data

Connection technology	Push-in CAGE CLAMP®
Strip length	9 mm / 0.35 Inch
Nominal cross section	4 mm ²
Solid conductor	0.5 ... 4 mm ² / 20 ... 12 AWG
Solid conductor, push-in termination	1.5 ... 4 mm ² / 16 ... 12 AWG
Stranded conductor	0.5 ... 2.5 mm ² / 20 ... 14 AWG
Fine-stranded conductor	0.5 ... 4 mm ² / 20 ... 12 AWG
Fine-stranded conductor with ferrule with plastic collar	0.25 ... 1.5 mm ² / 20 ... 16 AWG
Fine-stranded conductor with ferrule without plastic collar	0.25 ... 2.5 mm ² / 20 ... 14 AWG
Fine-stranded conductor with ferrule, push-in termination, from	1.5 mm ² / 16 AWG

Material Data

Insulating material	Polyamide 66 (PA 66)
Flammability class per UL94	V0
Clamping spring material	Chrome nickel spring steel (CrNi)
Contact material	Copper or copper alloy, surface-treated

Mechanical Data

Mating force of a plug-in connection	Approx. 20 ... 70 N (depending on pole number)
Unmating force of a plug-in connection	When unlocked: approx. 20 ... 70 N (depending on pole number)
Retention force of a plug-in connection	When locked: > 80 N
Protection class	IP20
Note on protection class	Only in mated condition with strain relief housing (These compact connectors are not designed for use in open, easily accessible areas.)

Environmental Requirements

Processing temperature	-5 ... +40 °C
Continuous operating temperature	-35 ... +85 °C
Note on continuous service temperature	Insulating parts for temperatures ≤ 105 °C

All connectors for mounted installations (snap-in versions for lighting fixtures or devices, all types of PCB and distribution connectors) are factory-equipped with locking levers to ensure plugs and sockets are securely locked. Additional locking levers are only required for flying leads (plug/socket).

Application note for the U.S. market (USR): Some versions may also be used for current interruption in accordance with the UL certificate in select applications with currents below 16 A and voltages up to 600 V. For further information, please contact your local sales office.

Coding Page 486

Tools Page 506

Additional information, see "Technical Section"

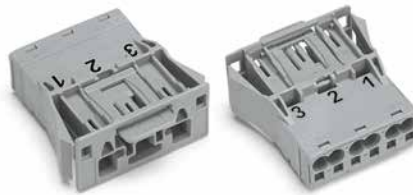
Approvals and corresponding ratings, visit www.wago.com

Snap-In Device Connector ▶ WINSTA® MIDI special ▶ 770 Series

No. of poles: 3

Female connector/socket

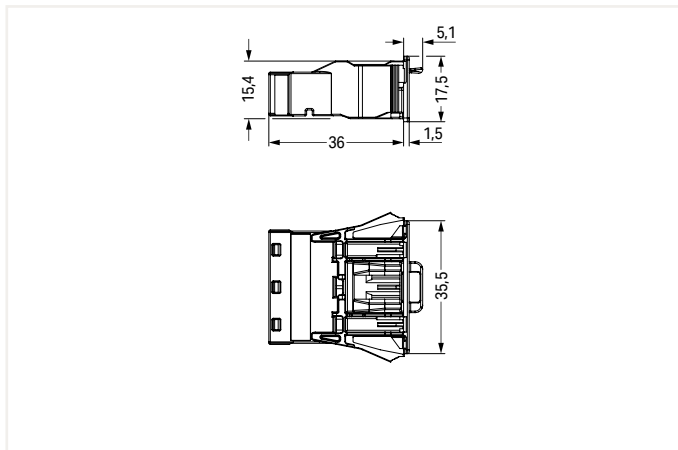
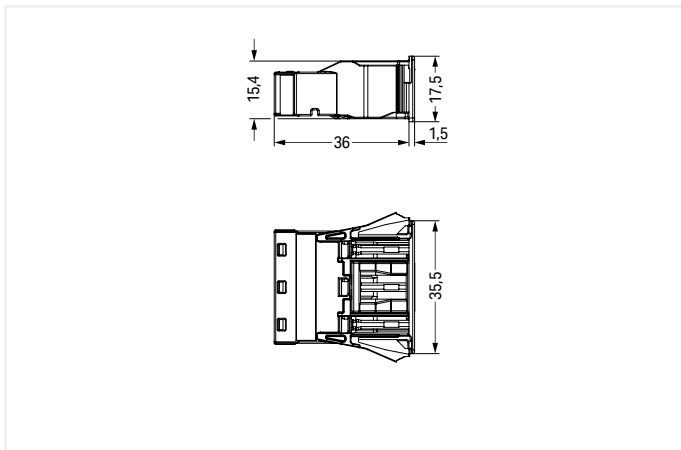
Male connector/plug



Color	Coding	Marking	Item No.	PU
gray	B	1 2 3	770-743	100
gray	B	L ⊕ N	770-743/060-000	100
gray	B	2 PE 1	770-743/062-000	100
light green	B	1 2 3	770-763	100
light green	B	U+ X/Y U-	770-763/071-000	100
light green	B	1 ⊕ 2	770-763/073-000	100
pink	B	I+ I-	770-783/081-000	100
pink	B	1 2 3	770-783	100
pink	B	+ S -	770-783/082-000	100

Color	Coding	Marking	Item No.	PU
gray	B	1 2 3	770-753	100
gray	B	L ⊕ N	770-753/060-000	100
gray	B	2 PE 1	770-753/062-000	100
light green	B	1 2 3	770-773	100
light green	B	U+ X/Y U-	770-773/071-000	100
light green	B	1 ⊕ 2	770-773/073-000	100
pink	B	I+ I-	770-793/081-000	100
pink	B	1 2 3	770-793	100
pink	B	+ S -	770-793/082-000	100

4



Item-Specific Accessories

Item-Specific Accessories



Lockout cap; for socket; separable; No. of poles: 12

Color	Item No.	PU
● black	770-201	100
○ white	770-221	100

Lockout cap; for plug; separable; No. of poles: 5

Color	Item No.	PU
● yellow	770-360	100

Accessories; for all products on this page



Operating tool; for WINSTA® MIDI connectors; No. of poles: 3

Item No.	PU (SPU)
770-383	50 (1)

Lockout cap; for cutout; No. of poles: 3

Color	Item No.	PU
● black	770-643	100
○ white	770-693	100

PU = Packaging Unit; SPU = Subpackaging Unit; Dimensions in mm

Other variants can be requested via the WAGO sales department or, if necessary, configured at <https://configurator.wago.com/>:

- Other pole markings

Pluggable PCB Connector ▶ WINSTA® MIDI special ▶ 770 Series

No. of poles: 3



- Protected against mismatching and maintenance-free
- Push-in CAGE CLAMP® spring pressure connection technology allows solid conductors to be simply pushed into a unit
- Two-wire connection per pole for loops or bridges
- Additional variable coding is possible
- Components can be clearly printed on and color-coded to meet custom requirements

Electrical Data

Ratings per	IEC/EN 60664-1		
Overvoltage category	III	III	II
Pollution degree	3	2	2
Rated voltage	250 V	-	-
Rated impulse voltage	4 kV	-	-
Rated current	25 A	-	-
Approvals per	UL 1977		
Rated voltage	600 V		
Rated current	23 A		

Material Data

Insulating material	Polyamide 66 (PA 66)
Flammability class per UL94	V0
Contact material	Copper or copper alloy, surface-treated

Mechanical Data

Solder pin arrangement	2 in-line solder pins/pole
Solder pin length	3.5 mm
Solder pin dimensions	1 x 0.8 mm
Drilled hole diameter (tolerance)	1.5 ^(+0.1) mm
Mating force of a plug-in connection	Approx. 20 ... 70 N (depending on pole number)
Unmating force of a plug-in connection	When unlocked: approx. 20 ... 70 N (depending on pole number)
Retention force of a plug-in connection	When locked: > 80 N
Protection class	IP20
Note on protection class	Only in mated condition with strain relief housing (These compact connectors are not designed for use in open, easily accessible areas.)

Environmental Requirements

Processing temperature	-5 ... +40 °C
Continuous operating temperature	-35 ... +85 °C
Note on continuous service temperature	Insulating parts for temperatures ≤ 105 °C

All connectors for mounted installations (snap-in versions for lighting fixtures or devices, all types of PCB and distribution connectors) are factory-equipped with locking levers to ensure plugs and sockets are securely locked. Additional locking levers are only required for flying leads (plug/socket).

Application note for the U.S. market (USR): Some versions may also be used for current interruption in accordance with the UL certificate in select applications with currents below 16 A and voltages up to 600 V. For further information, please contact your local sales office.

Coding Page 486

Additional information, see "Technical Section"

Approvals and corresponding ratings, visit www.wago.com

Pluggable PCB Connector ▶ WINSTA® MIDI special ▶ 770 Series

No. of poles: 3

Straight ▶ Female connector/socket

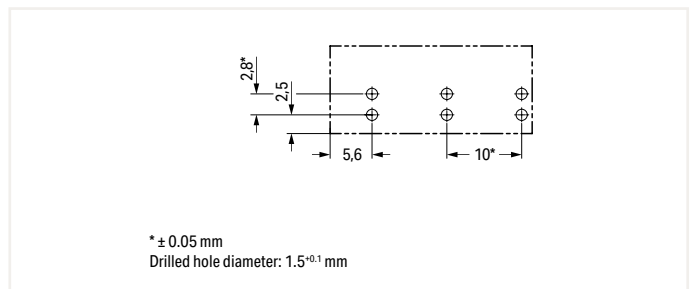
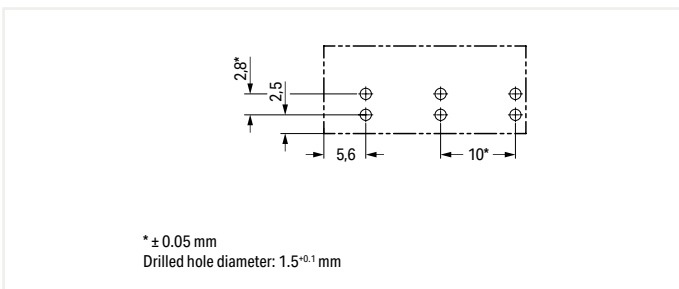
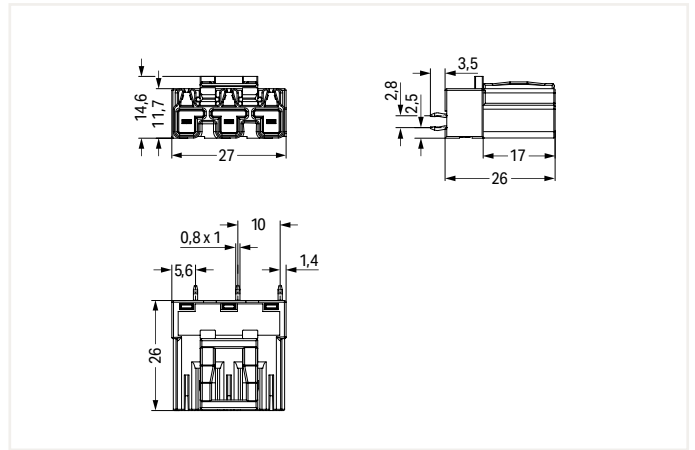
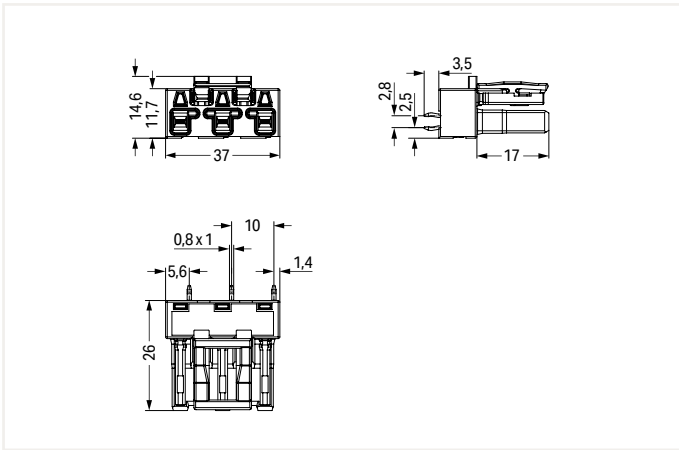
Straight ▶ Male connector/plug



Color	Coding	Marking	Item No.	PU
gray	B	1 2 3	770-843	100
gray	B	L ⊕ N	770-843/060-000	100
gray	B	2 PE 1	770-843/062-000	100
light green	B	1 2 3	770-863	100
light green	B	U+ X/Y U-	770-863/071-000	100
light green	B	1 ⊕ 2	770-863/073-000	100
pink	B	1 2 3	770-883	100
pink	B	1 2 5	770-883/081-000	100
pink	B	+ S -	770-883/082-000	100

Color	Coding	Marking	Item No.	PU
gray	B	1 2 3	770-853	100
gray	B	L ⊕ N	770-853/060-000	100
gray	B	2 PE 1	770-853/062-000	100
light green	B	1 2 3	770-873	100
light green	B	U+ X/Y U-	770-873/071-000	100
light green	B	1 ⊕ 2	770-873/073-000	100
pink	B	1 2 3	770-893	100
pink	B	1 2 5	770-893/081-000	100
pink	B	+ S -	770-893/082-000	100

4



Item-Specific Accessories

Item-Specific Accessories



Lockout cap; for socket; separable; No. of poles: 12

Color	Item No.	PU
black	770-201	100
white	770-221	100

Lockout cap; for plug; separable; No. of poles: 5

Color	Item No.	PU
yellow	770-360	100

PU = Packaging Unit; SPU = Subpackaging Unit; Dimensions in mm

Other variants can be requested via the WAGO sales department or, if necessary, configured at <https://configurator.wago.com/>:

- Other pole markings

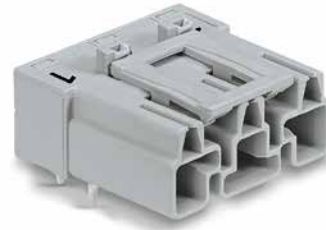
Pluggable PCB Connector ▶ WINSTA® MIDI special ▶ 770 Series

No. of poles: 3

Angled ▶ Female connector/socket



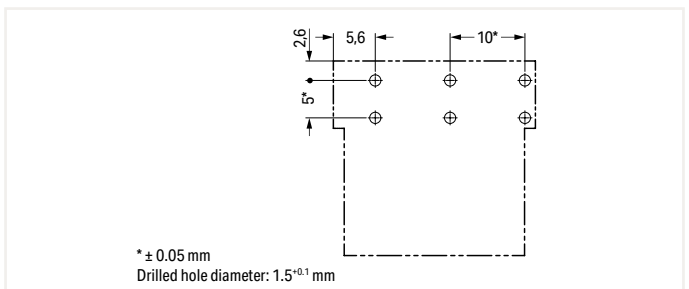
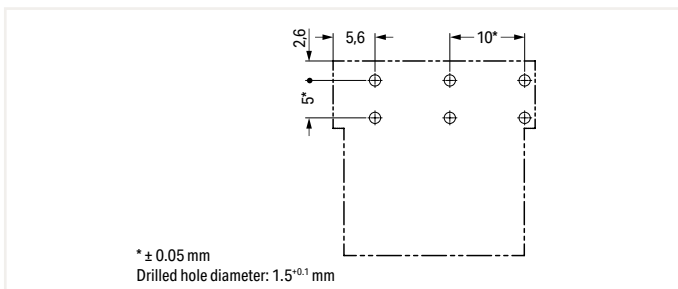
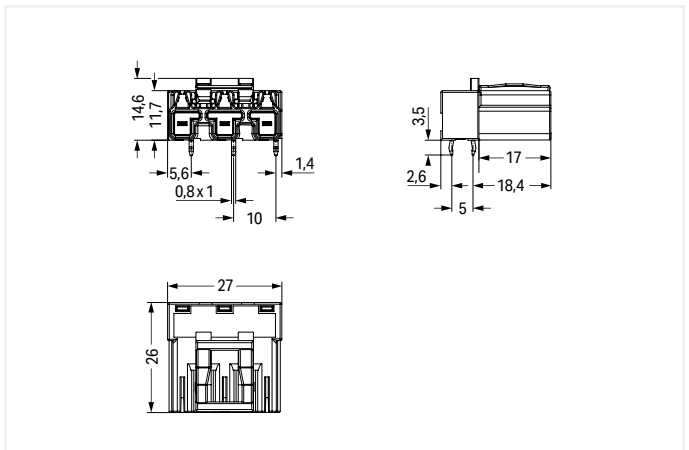
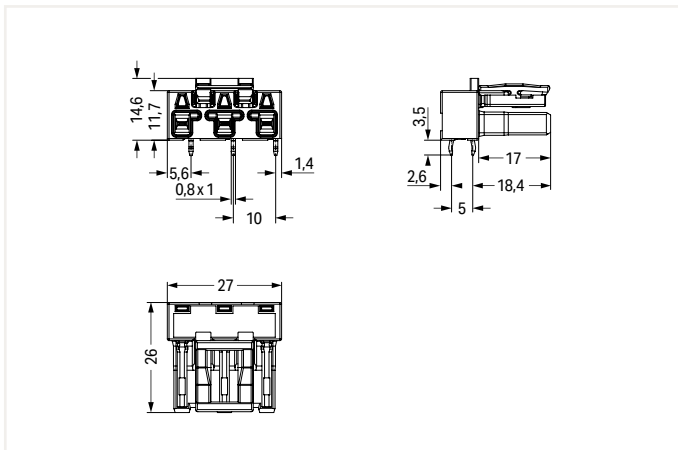
Angled ▶ Male connector/plug



Color	Coding	Marking	Item No.	PU
gray	B	1 2 3	770-843/011-000	100
gray	B	L ⊕ N	770-843/011-000/060-000	100
gray	B	2 PE 1	770-843/011-000/062-000	100
light green	B	1 2 3	770-863/011-000	100
light green	B	U+ X/Y U-	770-863/011-000/071-000	100
light green	B	1 ⊕ 2	770-863/011-000/073-000	100
pink	B	1 2 3	770-883/011-000	100
pink	B	1 2 5	770-883/011-000/081-000	100
pink	B	+ S -	770-883/011-000/082-000	100

Color	Coding	Marking	Item No.	PU
gray	B	1 2 3	770-853/011-000	100
gray	B	L ⊕ N	770-853/011-000/060-000	100
gray	B	2 PE 1	770-853/011-000/062-000	100
light green	B	1 2 3	770-873/011-000	100
light green	B	U+ X/Y U-	770-873/011-000/071-000	100
light green	B	1 ⊕ 2	770-873/011-000/073-000	100
pink	B	1 2 3	770-893/011-000	100
pink	B	1 2 5	770-893/011-000/081-000	100
pink	B	+ S -	770-893/011-000/082-000	100

4



Item-Specific Accessories



Lockout cap; for socket; separable; No. of poles: 12		
Color	Item No.	PU
black	770-201	100
white	770-221	100



Lockout cap; for plug; separable; No. of poles: 5		
Color	Item No.	PU
yellow	770-360	100

PU = Packaging Unit; SPU = Subpackaging Unit; Dimensions in mm

Other variants can be requested via the WAGO sales department or, if necessary, configured at <https://configurator.wago.com/>:

- Other pole markings

Distribution Connector ▶ WINSTA® MIDI special ▶ 770 Series

No. of poles: 3



- Protected against mismatching and maintenance-free
- Push-in CAGE CLAMP® spring pressure connection technology allows solid conductors to be simply pushed into a unit
- Two-wire connection per pole for loops or bridges
- Additional variable coding is possible
- Components can be clearly printed on and color-coded to meet custom requirements

Electrical Data

Ratings per	IEC/EN 60664-1		
Overvoltage category	III	III	II
Pollution degree	3	2	2
Rated voltage	250 V	-	-
Rated impulse voltage	4 kV	-	-
Rated current	25 A	-	-
Approvals per	UL 1977		
Rated voltage	600 V		
Rated current	23 A		

Material Data

Insulating material	Polyamide 66 (PA 66)
Flammability class per UL94	V0
Contact material	Copper or copper alloy, surface-treated

Mechanical Data

Mating force of a plug-in connection	Approx. 20 ... 70 N (depending on pole number)
Unmating force of a plug-in connection	When unlocked: approx. 20 ... 70 N (depending on pole number)
Retention force of a plug-in connection	When locked: > 80 N
Protection class	IP20
Note on protection class	Only in mated condition (These compact connectors are not designed for use in open, easily accessible areas.)

Environmental Requirements

Processing temperature	-5 ... +40 °C
Continuous operating temperature	-35 ... +85 °C
Note on continuous service temperature	Insulating parts for temperatures ≤ 105 °C

All connectors for mounted installations (snap-in versions for lighting fixtures or devices, all types of PCB and distribution connectors) are factory-equipped with locking levers to ensure plugs and sockets are securely locked. Additional locking levers are only required for flying leads (plug/socket).

Application note for the U.S. market (USR): Some versions may also be used for current interruption in accordance with the UL certificate in select applications with currents below 16 A and voltages up to 600 V. For further information, please contact your local sales office.

Additional information, see "Technical Section"

Approvals and corresponding ratings, visit www.wago.com

Distribution Connector ▶ WINSTA® MIDI special ▶ 770 Series

No. of poles: 3

T-distribution connector ▶ Number of locking levers: 2

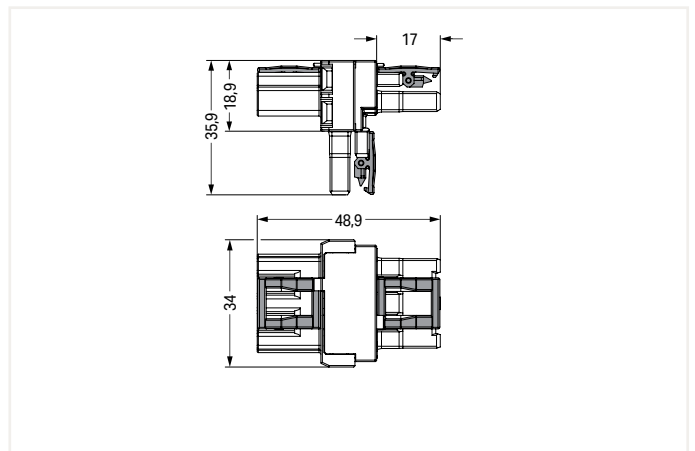
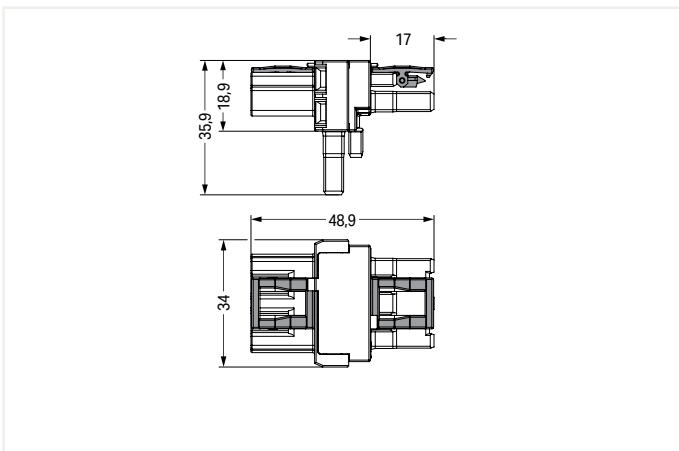
T-distribution connector ▶ Number of locking levers: 3



Fig. similar

Color	Coding	Marking	Item No.	PU
gray	B	1 2 3	770-967	50
light green	B	1 2 3	770-1612	50
pink	B	1 2 3	770-1613	50

Color	Coding	Marking	Item No.	PU
gray	B	1 2 3	770-970	50
light green	B	1 2 3	770-1712	50
pink	B	1 2 3	770-1713	50



4

Accessories; for all products on this page



Lockout cap; for socket; separable; No. of poles: 12

Color	Item No.	PU
● black	770-201	100
○ white	770-221	100

Mounting adapter; for T-distribution connector; for 2- to 5-pole

Item No.	PU
770-354	50

Lockout cap; for plug; separable; No. of poles: 5

Color	Item No.	PU
● yellow	770-360	100

PU = Packaging Unit; SPU = Subpackaging Unit; Dimensions in mm

Other variants can be requested via the WAGO sales department or, if necessary, configured at <https://configurator.wago.com/>:

- Other pole markings

Distribution Connector ▶ WINSTA® MIDI special ▶ 770 Series

No. of poles: 3

h-distribution connector, unidirectional ▶ Number of locking levers: 2

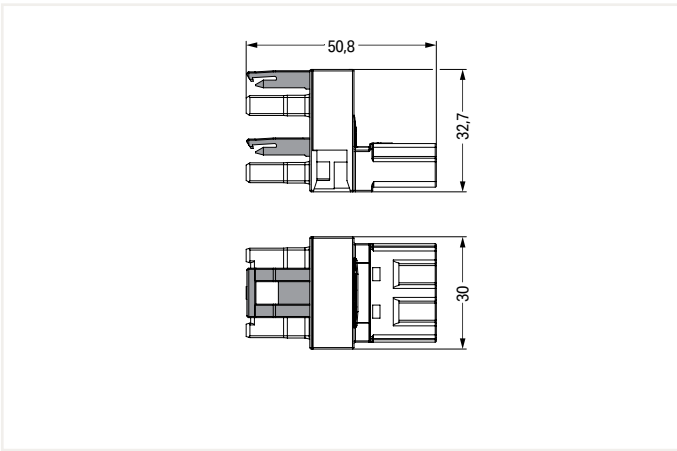
h-distribution connector, unidirectional ▶ Number of locking levers: 3



Color	Coding	Marking	Item No.	PU
gray	B	1 2 3	770-1661	50
light green	B	1 2 3	770-1662	50
pink	B	1 2 3	770-1663	50

Color	Coding	Marking	Item No.	PU
gray	B	1 2 3	770-1761	50
light green	B	1 2 3	770-1762	50
pink	B	1 2 3	770-1763	50

4



Accessories; for all products on this page



Lockout cap; for socket; separable; No. of poles: 12

Color	Item No.	PU
● black	770-201	100
○ white	770-221	100

Lockout cap; for plug; separable; No. of poles: 5

Color	Item No.	PU
● yellow	770-360	100

Mounting plate; for distribution connector; No. of poles: 3

Color	Item No.	PU
● black	770-623	25
○ white	770-673	25

PU = Packaging Unit; SPU = Subpackaging Unit; Dimensions in mm

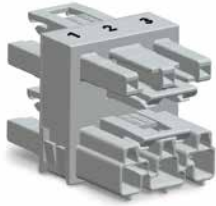
Other variants can be requested via the WAGO sales department or, if necessary, configured at <https://configurator.wago.com/>:

- Other pole markings

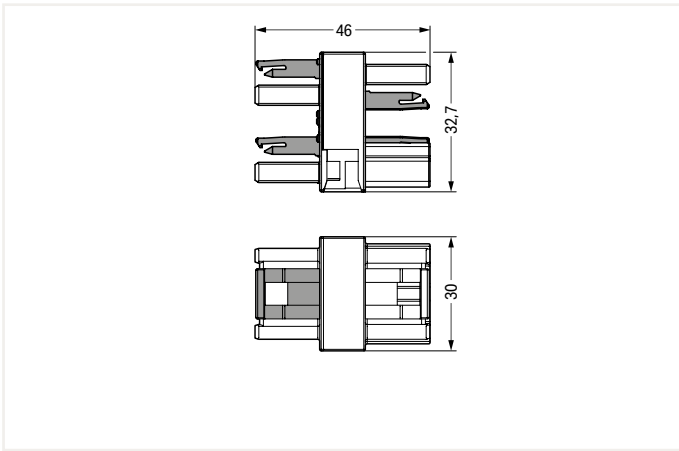
Distribution Connector ▶ WINSTA® MIDI special ▶ 770 Series

No. of poles: 3

Distribution connector, 3-way



Color	Coding	Marking	Item No.	PU
● gray	B	1 2 3	770-1714	50
● light green	B	1 2 3	770-1715	50
● pink	B	1 2 3	770-1716	50



4

Accessories; for all products on this page



Lockout cap; for socket; separable; No. of poles: 12		
Color	Item No.	PU
● black	770-201	100
○ white	770-221	100



Lockout cap; for plug; separable; No. of poles: 5		
Color	Item No.	PU
● yellow	770-360	100



Mounting plate; for distribution connector; No. of poles: 3		
Color	Item No.	PU
● black	770-623	25
○ white	770-673	25

PU = Packaging Unit; SPU = Subpackaging Unit; Dimensions in mm

Other variants can be requested via the WAGO sales department or, if necessary, configured at <https://configurator.wago.com/>:

- Other pole markings

Cable Assembly ▶ WINSTA® MIDI special ▶ 771 Series

No. of poles: 3 ▶ Protection class: IP20 ▶ Coding: B ▶ Marking: 1 2 3 ▶ PVC



- Protected against mismatching and maintenance-free
- Push-in CAGE CLAMP® spring pressure connection technology allows solid conductors to be simply pushed into a unit
- Two-wire connection per pole for loops or bridges
- Additional variable coding is possible
- Components can be clearly printed on and color-coded to meet custom requirements

Electrical Data						
Cross section of single conductor	1 mm ²			1.5 mm ²		
Ratings per	IEC/EN 60664-1			IEC/EN 60664-1		
Overvoltage category	III	III	II	III	III	II
Pollution degree	3	2	2	3	2	2
Rated voltage	250 V	-	-	250 V	-	-
Rated impulse voltage	4 kV	-	-	4 kV	-	-
Rated current	10 A	-	-	16 A	-	-
Approvals per	UL 1977			UL 1977		
Rated voltage	600 V			600 V		
Rated current	23 A			23 A		

Material Data	
Insulating material	Polyamide 66 (PA 66)
Flammability class per UL94	V0
Contact material	Copper or copper alloy, surface-treated
Reaction to fire class per EN 50575	E _{ca}

Mechanical Data	
Mating force of a plug-in connection	approx. 20 ... 70 N (depending on pole number)
Unmating force of a plug-in connection	when unlocked: approx. 20 ... 70 N (depending on pole number)
Retention force of a plug-in connection	when locked: > 80N
Protection class	IP20
Note on protection class	Only in mated condition with strain relief housing (These compact connectors are not designed for use in open, easily accessible areas.)

Environmental Requirements	
Processing temperature	-5 ... +40 °C
Continuous operating temperature	-35 ... +85 °C
Note on continuous service temperature	PVC cable for temperatures ≤ 70 °C (including halogen-free) Insulating parts for temperatures ≤ 105 °C

Cables with different fire load are available in the eShop

Application note for the U.S. market (USR): Some versions may also be used for current interruption in accordance with the UL certificate in select applications with currents below 16 A and voltages up to 600 V. For further information, please contact your local sales office.

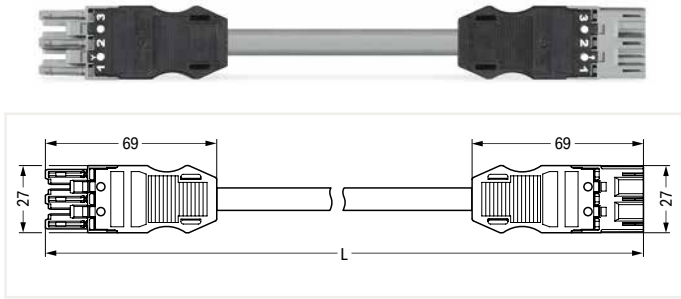
Marking Page 511

Additional information, see "Technical Section"

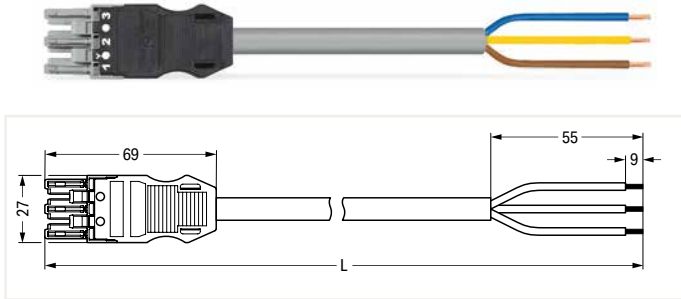
Approvals and corresponding ratings, visit www.wago.com

Cable Assembly ▶ WINSTA® MIDI special ▶ 771 Series

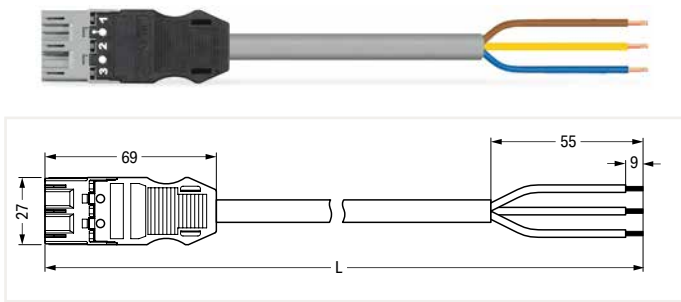
No. of poles: 3 ▶ Protection class: IP20 ▶ Coding: B ▶ Marking: 1 2 3 ▶ PVC ▶ 1 mm² ▶ Cable diameter: 6.3 ... 8 mm ▶ Control line 3 x 1



Total length	Connector color/Strain relief color			PU
	gray/black	light green/black	pink/black	
1 m	771-9993/005-103	771-9993/005-105	771-9993/005-107	1
2 m	771-9993/005-203	771-9993/005-205	771-9993/005-207	1
3 m	771-9993/005-303	771-9993/005-305	771-9993/005-307	1
4 m	771-9993/005-403	771-9993/005-405	771-9993/005-407	1
5 m	771-9993/005-503	771-9993/005-505	771-9993/005-507	1
6 m	771-9993/005-603	771-9993/005-605	771-9993/005-607	1
7 m	771-9993/005-703	771-9993/005-705	771-9993/005-707	1
8 m	771-9993/005-803	771-9993/005-805	771-9993/005-807	1



Total length	Connector color/Strain relief color			PU
	gray/black	light green/black	pink/black	
1 m	771-9993/105-103	771-9993/105-105	771-9993/105-107	1
2 m	771-9993/105-203	771-9993/105-205	771-9993/105-207	1
3 m	771-9993/105-303	771-9993/105-305	771-9993/105-307	1
4 m	771-9993/105-403	771-9993/105-405	771-9993/105-407	1
5 m	771-9993/105-503	771-9993/105-505	771-9993/105-507	1
6 m	771-9993/105-603	771-9993/105-605	771-9993/105-607	1
7 m	771-9993/105-703	771-9993/105-705	771-9993/105-707	1
8 m	771-9993/105-803	771-9993/105-805	771-9993/105-807	1



Total length	Connector color/Strain relief color			PU
	gray/black	light green/black	pink/black	
1 m	771-9993/205-103	771-9993/205-105	771-9993/205-107	1
2 m	771-9993/205-203	771-9993/205-205	771-9993/205-207	1
3 m	771-9993/205-303	771-9993/205-305	771-9993/205-307	1
4 m	771-9993/205-403	771-9993/205-405	771-9993/205-407	1
5 m	771-9993/205-503	771-9993/205-505	771-9993/205-507	1
6 m	771-9993/205-603	771-9993/205-605	771-9993/205-607	1
7 m	771-9993/205-703	771-9993/205-705	771-9993/205-707	1
8 m	771-9993/205-803	771-9993/205-805	771-9993/205-807	1

4

Accessories; for all products on this page



Locking lever, for flying leads; manually operated		
Color	Item No.	PU (SPU)
● black	770-101	100 (25)
○ white	770-121	100 (25)

Locking lever, for flying leads; tool operated		
Color	Item No.	PU (SPU)
● black	770-111	100 (25)
○ white	770-131	100 (25)

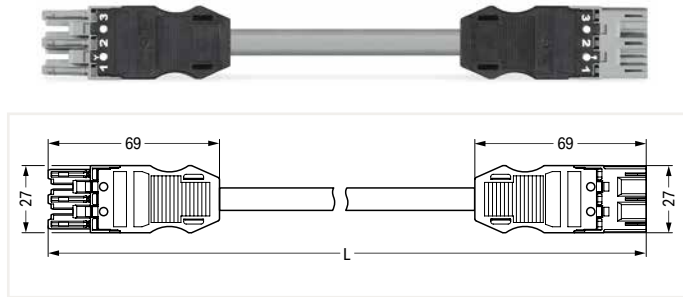
PU = Packaging Unit; SPU = Subpackaging Unit; Dimensions in mm

Other variants can be requested via the WAGO sales department or, if necessary, configured at <https://configurator.wago.com/>:

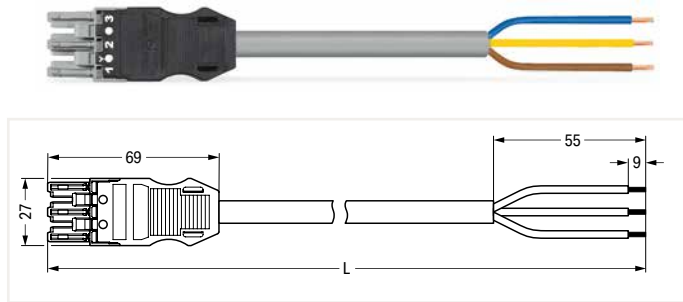
- Other pole markings

Cable Assembly ▶ WINSTA® MIDI special ▶ 771 Series

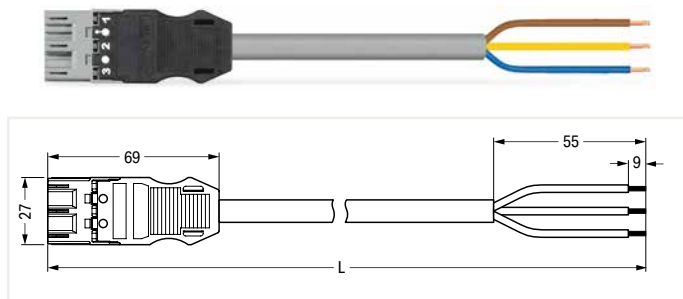
No. of poles: 3 ▶ Protection class: IP20 ▶ Coding: B ▶ Marking: 1 2 3 ▶ PVC ▶ 1.5 mm² ▶ Cable diameter: 7.4 ... 9.4 mm ▶ Control line 3 x 1.5



Total length	Connector color/Strain relief color			PU
	gray/black	light green/black	pink/black	
1 m	771-9993/006-103	771-9993/006-105	771-9993/006-107	1
2 m	771-9993/006-203	771-9993/006-205	771-9993/006-207	1
3 m	771-9993/006-303	771-9993/006-305	771-9993/006-307	1
4 m	771-9993/006-403	771-9993/006-405	771-9993/006-407	1
5 m	771-9993/006-503	771-9993/006-505	771-9993/006-507	1
6 m	771-9993/006-603	771-9993/006-605	771-9993/006-607	1
7 m	771-9993/006-703	771-9993/006-705	771-9993/006-707	1
8 m	771-9993/006-803	771-9993/006-805	771-9993/006-807	1



Total length	Connector color/Strain relief color			PU
	gray/black	light green/black	pink/black	
1 m	771-9993/106-103	771-9993/106-105	771-9993/106-107	1
2 m	771-9993/106-203	771-9993/106-205	771-9993/106-207	1
3 m	771-9993/106-303	771-9993/106-305	771-9993/106-307	1
4 m	771-9993/106-403	771-9993/106-405	771-9993/106-407	1
5 m	771-9993/106-503	771-9993/106-505	771-9993/106-507	1
6 m	771-9993/106-603	771-9993/106-605	771-9993/106-607	1
7 m	771-9993/106-703	771-9993/106-705	771-9993/106-707	1
8 m	771-9993/106-803	771-9993/106-805	771-9993/106-807	1



Total length	Connector color/Strain relief color			PU
	gray/black	light green/black	pink/black	
1 m	771-9993/206-103	771-9993/206-105	771-9993/206-107	1
2 m	771-9993/206-203	771-9993/206-205	771-9993/206-207	1
3 m	771-9993/206-303	771-9993/206-305	771-9993/206-307	1
4 m	771-9993/206-403	771-9993/206-405	771-9993/206-407	1
5 m	771-9993/206-503	771-9993/206-505	771-9993/206-507	1
6 m	771-9993/206-603	771-9993/206-605	771-9993/206-607	1
7 m	771-9993/206-703	771-9993/206-705	771-9993/206-707	1
8 m	771-9993/206-803	771-9993/206-805	771-9993/206-807	1

4

Accessories; for all products on this page



Locking lever, for flying leads; manually operated		
Color	Item No.	PU (SPU)
● black	770-101	100 (25)
○ white	770-121	100 (25)

Locking lever, for flying leads; tool operated		
Color	Item No.	PU (SPU)
● black	770-111	100 (25)
○ white	770-131	100 (25)

PU = Packaging Unit; SPU = Subpackaging Unit; Dimensions in mm

Other variants can be requested via the WAGO sales department or, if necessary, configured at <https://configurator.wago.com/>:

- Other pole markings

Pluggable Connector ▶ WINSTA® MIDI special ▶ 770 Series

No. of poles: 4



- Protected against mismatching and maintenance-free
- Push-in CAGE CLAMP® spring pressure connection technology allows solid conductors to be simply pushed into a unit
- Two-wire connection per pole for loops or bridges
- Additional variable coding is possible
- Components can be clearly printed on and color-coded to meet custom requirements

Electrical Data

Ratings per	IEC/EN 60664-1		
Overvoltage category	III	III	II
Pollution degree	3	2	2
Rated voltage	400 V	-	-
Rated impulse voltage	6 kV	-	-
Rated current	25 A	-	-
Note on rated current	25 A for 3-pole load 20 A for 4-pole load		
Approvals per	UL 1977		
Rated voltage	600 V		
Rated current	23 A		

Connection Data

Connection technology	Push-in CAGE CLAMP®
Strip length	9 mm / 0.35 Inch
Nominal cross section	4 mm²
Solid conductor	0.5 ... 4 mm² / 20 ... 12 AWG
Solid conductor, push-in termination	1.5 ... 4 mm² / 16 ... 12 AWG
Stranded conductor	0.5 ... 2.5 mm² / 20 ... 14 AWG
Fine-stranded conductor	0.5 ... 4 mm² / 20 ... 12 AWG
Fine-stranded conductor with ferrule with plastic collar	0.25 ... 1.5 mm² / 20 ... 16 AWG
Fine-stranded conductor with ferrule without plastic collar	0.25 ... 2.5 mm² / 20 ... 14 AWG
Fine-stranded conductor with ferrule, push-in termination, from	1.5 mm² / 16 AWG

Material Data

Insulating material	Polyamide 66 (PA 66)
Flammability class per UL94	V0
Clamping spring material	Chrome nickel spring steel (CrNi)
Contact material	Copper or copper alloy, surface-treated

Mechanical Data

Mating force of a plug-in connection	Approx. 20 ... 70 N (depending on pole number)
Unmating force of a plug-in connection	When unlocked: approx. 20 ... 70 N (depending on pole number)
Retention force of a plug-in connection	When locked: > 80 N
Protection class	IP20
Note on protection class	Only in mated condition with strain relief housing (These compact connectors are not designed for use in open, easily accessible areas.)

Environmental Requirements

Processing temperature	-5 ... +40 °C
Continuous operating temperature	-35 ... +85 °C
Note on continuous service temperature	Insulating parts for temperatures ≤ 105 °C

All connectors for mounted installations (snap-in versions for lighting fixtures or devices, all types of PCB and distribution connectors) are factory-equipped with locking levers to ensure plugs and sockets are securely locked. Additional locking levers are only required for flying leads (plug/socket).

Application note for the U.S. market (USR): Some versions may also be used for current interruption in accordance with the UL certificate in select applications with currents below 16 A and voltages up to 600 V. For further information, please contact your local sales office.

Marking	Page 511
Strain relief	Page 492
Tools	Page 506
Additional information, see "Technical Section"	
Approvals and corresponding ratings, visit www.wago.com	

Pluggable Connector ▶ WINSTA® MIDI special ▶ 770 Series

No. of poles: 4

Female connector/socket

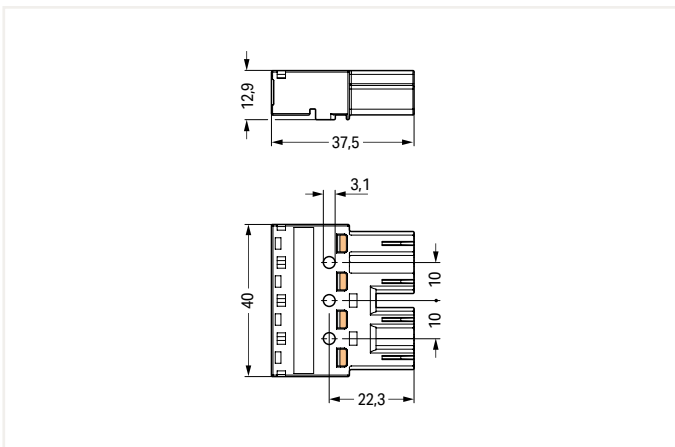
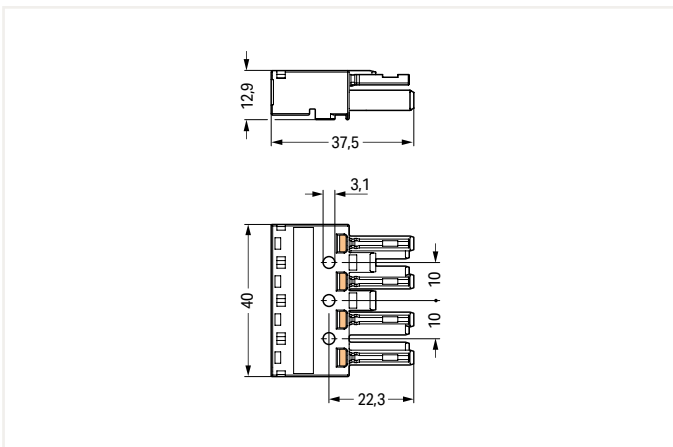
Male connector/plug



Color	Coding	Marking	Item No.	PU
gray	B	1 2 3 4	770-244	50
gray	B	N ⊕ 2 L 1 L'	770-244/060-000	50
gray	B	3 PE 2 1	770-244/062-000	50
gray	B	2L ⊕ 1L L	770-244/064-000	50
gray	B	1 2 5 3	770-244/081-000	50
light green	B	1 2 3 4	770-264	50
light green	B	U- S U+ X/Y	770-264/071-000	50
light green	B	U- U+ DI AI	770-264/072-000	50
light green	B	1 ⊕ 2 3	770-264/073-000	50
pink	B	1 2 3 4	770-284	50
pink	B	1 2 5 3	770-284/081-000	50

Color	Coding	Marking	Item No.	PU
gray	B	1 2 3 4	770-254	50
gray	B	N ⊕ 2 L 1 L'	770-254/060-000	50
gray	B	3 PE 2 1	770-254/062-000	50
gray	B	2L ⊕ 1L L	770-254/064-000	50
gray	B	1 2 5 3	770-254/081-000	50
light green	B	1 2 3 4	770-274	50
light green	B	U- S U+ X/Y	770-274/071-000	50
light green	B	U- U+ DI AI	770-274/072-000	50
light green	B	1 ⊕ 2 3	770-274/073-000	50
pink	B	1 2 3 4	770-294	50
pink	B	1 2 5 3	770-294/081-000	50

4



Item-Specific Accessories

Item-Specific Accessories



Lockout cap; for socket; separable; No. of poles: 12

Color	Item No.	PU
black	770-201	100
white	770-221	100

Lockout cap; for plug; separable; No. of poles: 5

Color	Item No.	PU
yellow	770-360	100

Accessories; for all products on this page



Locking lever, for flying leads; manually operated		
Color	Item No.	PU (SPU)
black	770-101	100 (25)
white	770-121	100 (25)

Locking lever, for flying leads; tool operated		
Color	Item No.	PU (SPU)
black	770-111	100 (25)
white	770-131	100 (25)

Strain relief housing; Connectable sheathed cable diameter: 9 ... 13 mm; Strip length: 55 mm		
Color	Item No.	PU
black	770-504	25
white	770-514	25

PU = Packaging Unit; SPU = Subpackaging Unit; Dimensions in mm

Other variants can be requested via the WAGO sales department or, if necessary, configured at <https://configurator.wago.com/>:

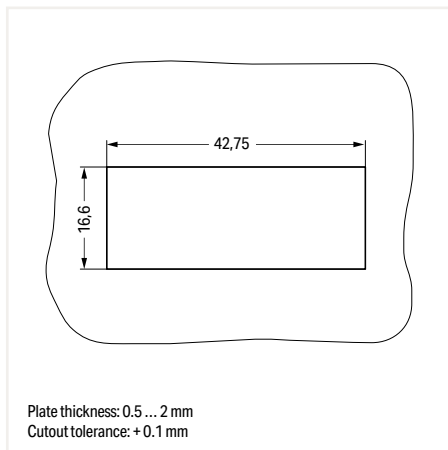
- Other pole markings

Snap-In Device Connector ▶ WINSTA® MIDI special ▶ 770 Series

No. of poles: 4



- Protected against mismatching and maintenance-free
- Push-in CAGE CLAMP® spring pressure connection technology allows solid conductors to be simply pushed into a unit
- Two-wire connection per pole for loops or bridges
- Additional variable coding is possible
- Components can be clearly printed on and color-coded to meet custom requirements



Electrical Data

Ratings per	IEC/EN 60664-1		
Overvoltage category	III	III	II
Pollution degree	3	2	2
Rated voltage	400 V	-	-
Rated impulse voltage	6 kV	-	-
Rated current	25 A	-	-
Note on rated current	25 A for 3-pole load 20 A for 4-pole load		
Approvals per	UL 1977		
Rated voltage	600 V		
Rated current	23 A		

Connection Data

Connection technology	Push-in CAGE CLAMP®
Strip length	9 mm / 0.35 Inch
Nominal cross section	4 mm ²
Solid conductor	0.5 ... 4 mm ² / 20 ... 12 AWG
Solid conductor, push-in termination	1.5 ... 4 mm ² / 16 ... 12 AWG
Stranded conductor	0.5 ... 2.5 mm ² / 20 ... 14 AWG
Fine-stranded conductor	0.5 ... 4 mm ² / 20 ... 12 AWG
Fine-stranded conductor with ferrule with plastic collar	0.25 ... 1.5 mm ² / 20 ... 16 AWG
Fine-stranded conductor with ferrule without plastic collar	0.25 ... 2.5 mm ² / 20 ... 14 AWG
Fine-stranded conductor with ferrule, push-in termination, from	1.5 mm ² / 16 AWG

Material Data

Insulating material	Polyamide 66 (PA 66)
Flammability class per UL94	V0
Clamping spring material	Chrome nickel spring steel (CrNi)
Contact material	Copper or copper alloy, surface-treated

Mechanical Data

Mating force of a plug-in connection	Approx. 20 ... 70 N (depending on pole number)
Unmating force of a plug-in connection	When unlocked: approx. 20 ... 70 N (depending on pole number)
Retention force of a plug-in connection	When locked: > 80 N
Protection class	IP20
Note on protection class	Only in mated condition with strain relief housing (These compact connectors are not designed for use in open, easily accessible areas.)

Environmental Requirements

Processing temperature	-5 ... +40 °C
Continuous operating temperature	-35 ... +85 °C
Note on continuous service temperature	Insulating parts for temperatures ≤ 105 °C

All connectors for mounted installations (snap-in versions for lighting fixtures or devices, all types of PCB and distribution connectors) are factory-equipped with locking levers to ensure plugs and sockets are securely locked. Additional locking levers are only required for flying leads (plug/socket).

Application note for the U.S. market (USR): Some versions may also be used for current interruption in accordance with the UL certificate in select applications with currents below 16 A and voltages up to 600 V. For further information, please contact your local sales office.

Coding Page 486

Tools Page 506

Additional information, see "Technical Section"

Approvals and corresponding ratings, visit www.wago.com

Snap-In Device Connector ▶ WINSTA® MIDI special ▶ 770 Series

No. of poles: 4

Female connector/socket

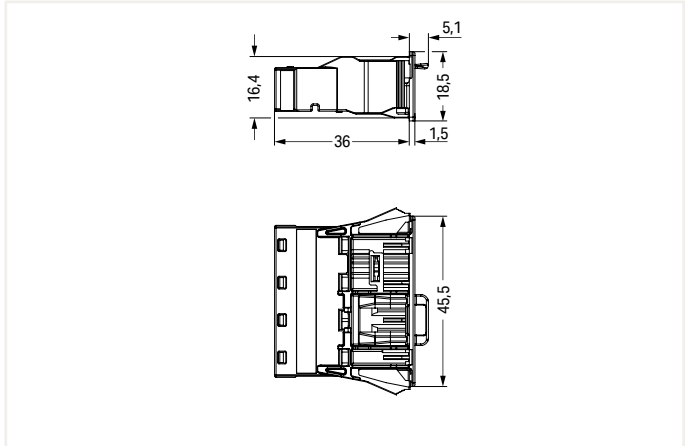
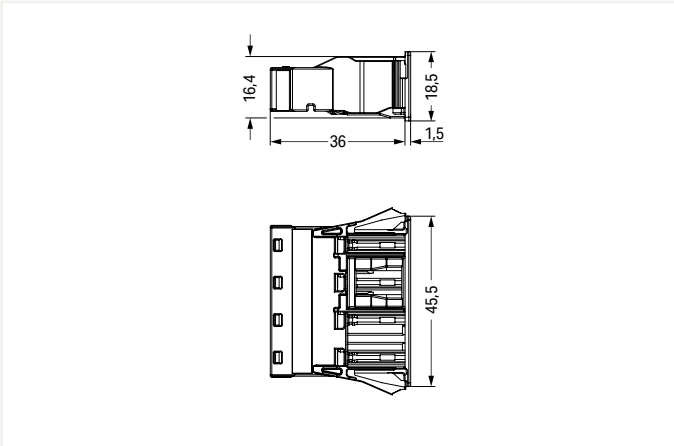
Male connector/plug



Color	Coding	Marking	Item No.	PU
gray	B	1 2 3 4	770-744	100
gray	B	N ⊕ 2 L 1 L'	770-744/060-000	100
gray	B	3 PE 2 1	770-744/062-000	100
gray	B	2L ⊕ 1L L	770-744/064-000	100
light green	B	1 2 3 4	770-764	100
light green	B	U- S U+ X/Y	770-764/071-000	100
light green	B	U- U+ DI AI	770-764/072-000	100
light green	B	1 ⊕ 2 3	770-764/073-000	100
pink	B	1 2 3 4	770-784	100
pink	B	1 2 5 3	770-784/081-000	100

Color	Coding	Marking	Item No.	PU
gray	B	1 2 3 4	770-754	100
gray	B	N ⊕ 2 L 1 L'	770-754/060-000	100
gray	B	3 PE 2 1	770-754/062-000	100
gray	B	2L ⊕ 1L L	770-754/064-000	100
light green	B	1 2 3 4	770-774	100
light green	B	U- S U+ X/Y	770-774/071-000	100
light green	B	U- U+ DI AI	770-774/072-000	100
light green	B	1 ⊕ 2 3	770-774/073-000	100
pink	B	1 2 3 4	770-794	100
pink	B	1 2 5 3	770-794/081-000	100

4



Item-Specific Accessories

Item-Specific Accessories



Lockout cap; for socket; separable; No. of poles: 12

Color	Item No.	PU
black	770-201	100
white	770-221	100

Lockout cap; for plug; separable; No. of poles: 5

Color	Item No.	PU
yellow	770-360	100

Accessories; for all products on this page



Lockout cap; for cutout; No. of poles: 4

Color	Item No.	PU
black	770-644	100
white	770-694	100

PU = Packaging Unit; SPU = Subpackaging Unit; Dimensions in mm

Other variants can be requested via the WAGO sales department or, if necessary, configured at <https://configurator.wago.com/>:

- Other pole markings

Pluggable PCB Connector ▶ WINSTA® MIDI special ▶ 770 Series

No. of poles: 4



- Protected against mismatching and maintenance-free
- Push-in CAGE CLAMP® spring pressure connection technology allows solid conductors to be simply pushed into a unit
- Two-wire connection per pole for loops or bridges
- Additional variable coding is possible
- Components can be clearly printed on and color-coded to meet custom requirements

Electrical Data

Ratings per	IEC/EN 60664-1		
Overvoltage category	III	III	II
Pollution degree	3	2	2
Rated voltage	400 V	-	-
Rated impulse voltage	6 kV	-	-
Rated current	25 A	-	-
Note on rated current	25 A for 3-pole load 20 A for 4-pole load		
Approvals per	UL 1977		
Rated voltage	600 V		
Rated current	23 A		

Material Data

Insulating material	Polyamide 66 (PA 66)
Flammability class per UL94	V0
Contact material	Copper or copper alloy, surface-treated

Mechanical Data

Solder pin arrangement	2 in-line solder pins/pole
Solder pin length	3.5 mm
Solder pin dimensions	1 x 0.8 mm
Drilled hole diameter (tolerance)	1.5 ^(+0.1) mm
Mating force of a plug-in connection	Approx. 20 ... 70 N (depending on pole number)
Unmating force of a plug-in connection	When unlocked: approx. 20 ... 70 N (depending on pole number)
Retention force of a plug-in connection	When locked: > 80 N
Protection class	IP20
Note on protection class	Only in mated condition with strain relief housing (These compact connectors are not designed for use in open, easily accessible areas.)

Environmental Requirements

Processing temperature	-5 ... +40 °C
Continuous operating temperature	-35 ... +85 °C
Note on continuous service temperature	Insulating parts for temperatures ≤ 105 °C

All connectors for mounted installations (snap-in versions for lighting fixtures or devices, all types of PCB and distribution connectors) are factory-equipped with locking levers to ensure plugs and sockets are securely locked. Additional locking levers are only required for flying leads (plug/socket).

Application note for the U.S. market (USR): Some versions may also be used for current interruption in accordance with the UL certificate in select applications with currents below 16 A and voltages up to 600 V. For further information, please contact your local sales office.

Coding Page 486

Additional information, see "Technical Section"

Approvals and corresponding ratings, visit www.wago.com

Pluggable PCB Connector ▶ WINSTA® MIDI special ▶ 770 Series

No. of poles: 4

Straight ▶ Female connector/socket



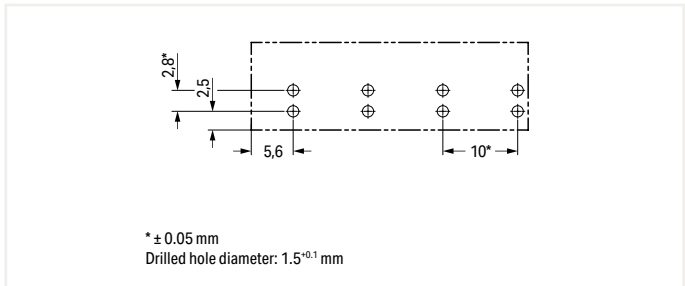
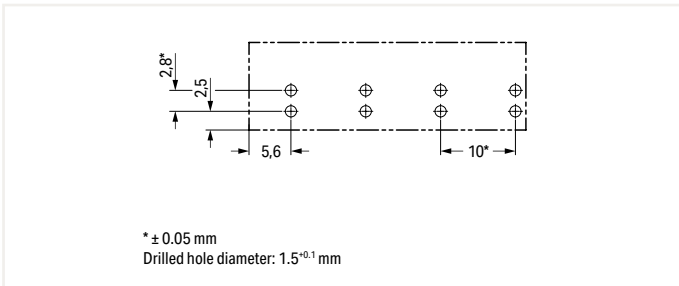
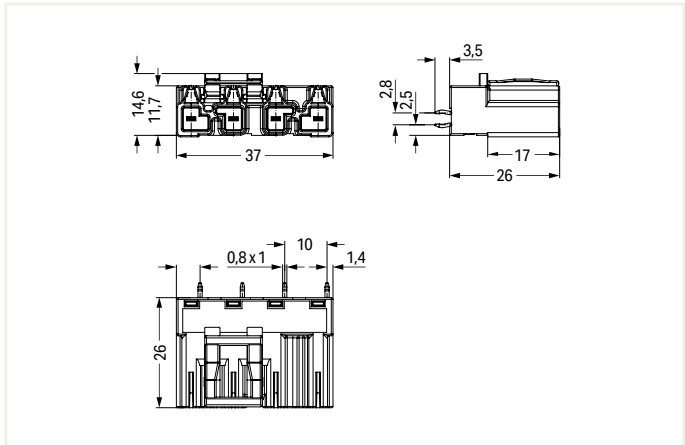
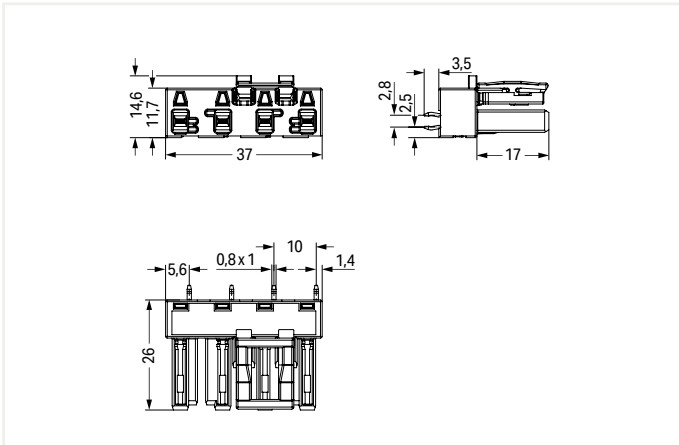
Straight ▶ Male connector/plug



Color	Coding	Marking	Item No.	PU
gray	B	1 2 3 4	770-844	50
gray	B	N ⊕ 2 L 1 L'	770-844/060-000	50
gray	B	3 PE 2 1	770-844/062-000	50
gray	B	2L ⊕ 1L L	770-844/064-000	50
light green	B	1 2 3 4	770-864	50
light green	B	U- S U+ X/Y	770-864/071-000	50
light green	B	U- U+ DI AI	770-864/072-000	50
light green	B	1 ⊕ 2 3	770-864/073-000	50
pink	B	1 2 3 4	770-884	50
pink	B	1 2 5 3	770-884/081-000	50

Color	Coding	Marking	Item No.	PU
gray	B	1 2 3 4	770-854	50
gray	B	N ⊕ 2 L 1 L'	770-854/060-000	50
gray	B	3 PE 2 1	770-854/062-000	50
gray	B	2L ⊕ 1L L	770-854/064-000	50
light green	B	1 2 3 4	770-874	50
light green	B	U- S U+ X/Y	770-874/071-000	50
light green	B	U- U+ DI AI	770-874/072-000	50
light green	B	1 ⊕ 2 3	770-874/073-000	50
pink	B	1 2 3 4	770-894	50
pink	B	1 2 5 3	770-894/081-000	50

4



Item-Specific Accessories



Color	Item No.	PU
black	770-201	100
white	770-221	100



Item-Specific Accessories

Color	Item No.	PU
yellow	770-360	100

PU = Packaging Unit; SPU = Subpackaging Unit; Dimensions in mm

Other variants can be requested via the WAGO sales department or, if necessary, configured at <https://configurator.wago.com/>:

- Other pole markings

Pluggable PCB Connector ▶ WINSTA® MIDI special ▶ 770 Series

No. of poles: 4

Angled ▶ Female connector/socket

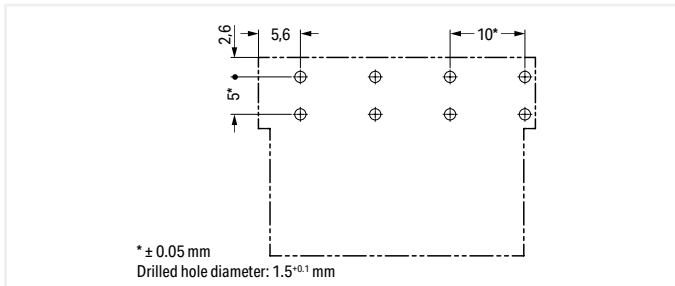
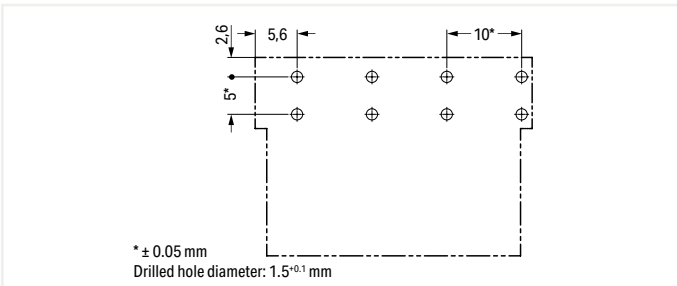
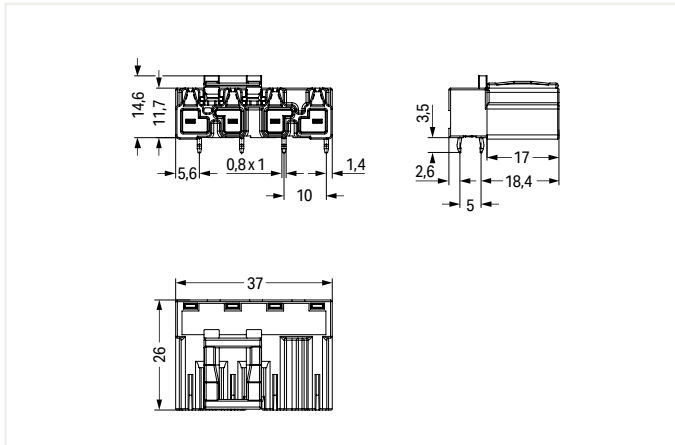
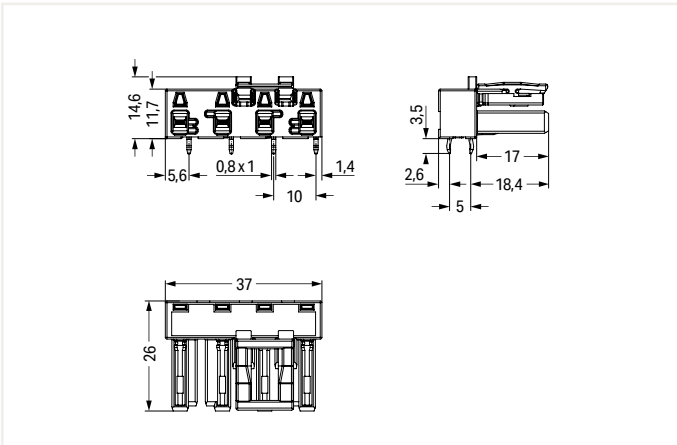
Angled ▶ Male connector/plug



Color	Coding	Marking	Item No.	PU
gray	B	1 2 3 4	770-844/011-000	50
gray	B	N ⊕ 2 L 1 L'	770-844/011-000/060-000	50
gray	B	3 PE 2 1	770-844/011-000/062-000	50
gray	B	2L ⊕ 1L L	770-844/011-000/064-000	50
light green	B	1 2 3 4	770-864/011-000	50
light green	B	U- S U+ X/Y	770-864/011-000/071-000	50
light green	B	U- U+ DI AI	770-864/011-000/072-000	50
light green	B	1 ⊕ 2 3	770-864/011-000/073-000	50
pink	B	1 2 3 4	770-884/011-000	50
pink	B	1 2 5 3	770-884/011-000/081-000	50

Color	Coding	Marking	Item No.	PU
gray	B	1 2 3 4	770-854/011-000	50
gray	B	N ⊕ 2 L 1 L'	770-854/011-000/060-000	50
gray	B	3 PE 2 1	770-854/011-000/062-000	50
gray	B	2L ⊕ 1L L	770-854/011-000/064-000	50
light green	B	1 2 3 4	770-874/011-000	50
light green	B	U- S U+ X/Y	770-874/011-000/071-000	50
light green	B	U- U+ DI AI	770-874/011-000/072-000	50
light green	B	1 ⊕ 2 3	770-874/011-000/073-000	50
pink	B	1 2 3 4	770-894/011-000	50
pink	B	1 2 5 3	770-894/011-000/081-000	50

4



Item-Specific Accessories



Lockout cap; for socket; separable; No. of poles: 12

Color	Item No.	PU
● black	770-201	100
○ white	770-221	100



Lockout cap; for plug; separable; No. of poles: 5

Color	Item No.	PU
● yellow	770-360	100

PU = Packaging Unit; SPU = Subpackaging Unit; Dimensions in mm

Other variants can be requested via the WAGO sales department or, if necessary, configured at <https://configurator.wago.com/>:

- Other pole markings

Distribution Connector ▶ WINSTA® MIDI special ▶ 770 Series

No. of poles: 4



- Protected against mismatching and maintenance-free
- Push-in CAGE CLAMP® spring pressure connection technology allows solid conductors to be simply pushed into a unit
- Two-wire connection per pole for loops or bridges
- Additional variable coding is possible
- Components can be clearly printed on and color-coded to meet custom requirements

Electrical Data

Ratings per	IEC/EN 60664-1		
Overvoltage category	III	III	II
Pollution degree	3	2	2
Rated voltage	400 V	-	-
Rated impulse voltage	6 kV	-	-
Rated current	25 A	-	-

Note on rated current	25 A for 3-pole load 20 A for 4-pole load
-----------------------	----------------------------------------------

Approvals per	UL 1977
Rated voltage	600 V
Rated current	23 A

Material Data

Insulating material	Polyamide 66 (PA 66)
Flammability class per UL94	V0
Contact material	Copper or copper alloy, surface-treated

Mechanical Data

Mating force of a plug-in connection	Approx. 20 ... 70 N (depending on pole number)
Unmating force of a plug-in connection	When unlocked: approx. 20 ... 70 N (depending on pole number)
Retention force of a plug-in connection	When locked: > 80 N
Protection class	IP20
Note on protection class	Only in mated condition (These compact connectors are not designed for use in open, easily accessible areas.)

Environmental Requirements

Processing temperature	-5 ... +40 °C
Continuous operating temperature	-35 ... +85 °C
Note on continuous service temperature	Insulating parts for temperatures ≤ 105 °C

All connectors for mounted installations (snap-in versions for lighting fixtures or devices, all types of PCB and distribution connectors) are factory-equipped with locking levers to ensure plugs and sockets are securely locked. Additional locking levers are only required for flying leads (plug/socket).

Application note for the U.S. market (USR): Some versions may also be used for current interruption in accordance with the UL certificate in select applications with currents below 16 A and voltages up to 600 V. For further information, please contact your local sales office.

Additional information, see "Technical Section"

Approvals and corresponding ratings, visit www.wago.com

Distribution Connector ▶ WINSTA® MIDI special ▶ 770 Series

No. of poles: 4

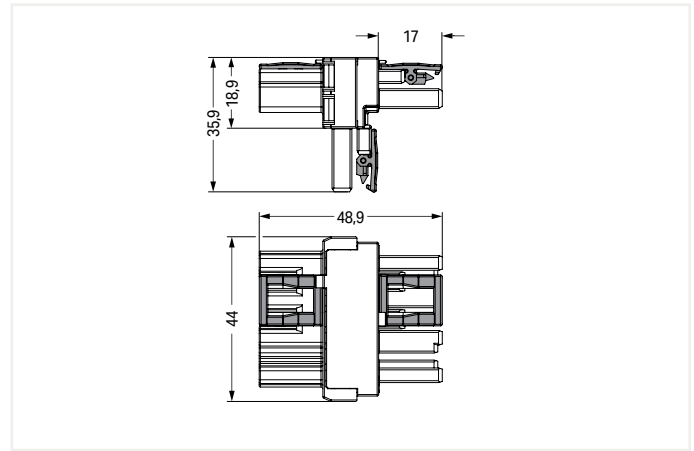
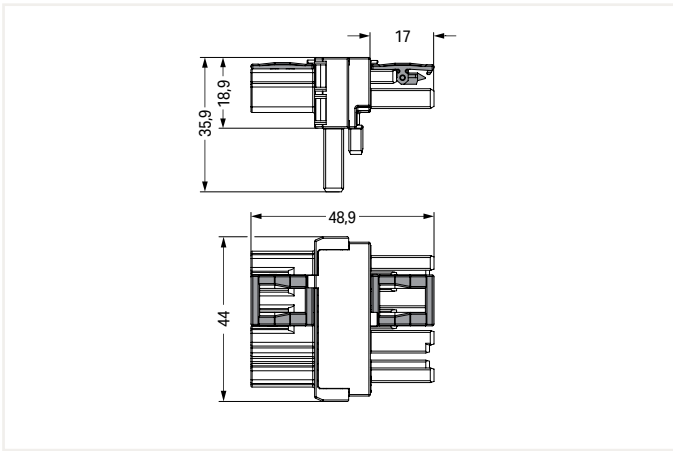
T-distribution connector ▶ Number of locking levers: 2

T-distribution connector ▶ Number of locking levers: 3



Color	Coding	Marking	Item No.	PU
gray	B	1 2 3 4	770-1631	50
light green	B	1 2 3 4	770-1632	50
pink	B	1 2 3 4	770-1633	50

Color	Coding	Marking	Item No.	PU
gray	B	1 2 3 4	770-1731	50
light green	B	1 2 3 4	770-1732	50
pink	B	1 2 3 4	770-1733	50



4

Accessories; for all products on this page



Lockout cap; for socket; separable; No. of poles: 12		
Color	Item No.	PU
● black	770-201	100
○ white	770-221	100

Mounting adapter; for T-distribution connector; for 2- to 5-pole		
Item No.	PU	
770-354	50	

Lockout cap; for plug; separable; No. of poles: 5		
Color	Item No.	PU
● yellow	770-360	100

PU = Packaging Unit; SPU = Subpackaging Unit; Dimensions in mm

Other variants can be requested via the WAGO sales department or, if necessary, configured at <https://configurator.wago.com/>:

- Other pole markings

Distribution Connector ▶ WINSTA® MIDI special ▶ 770 Series

No. of poles: 4

h-distribution connector, unidirectional ▶ Number of locking levers: 2

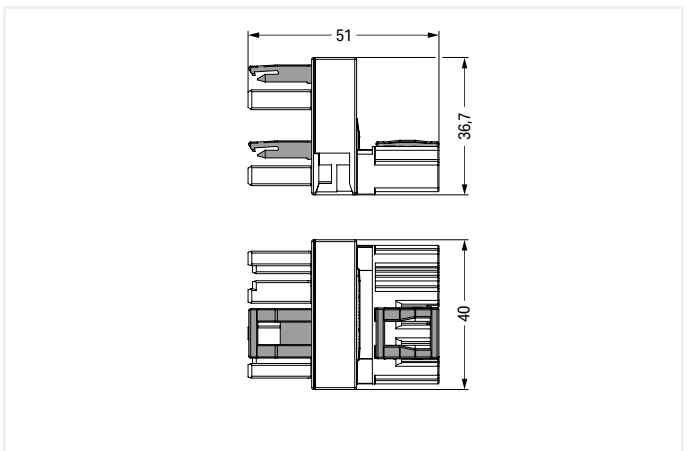
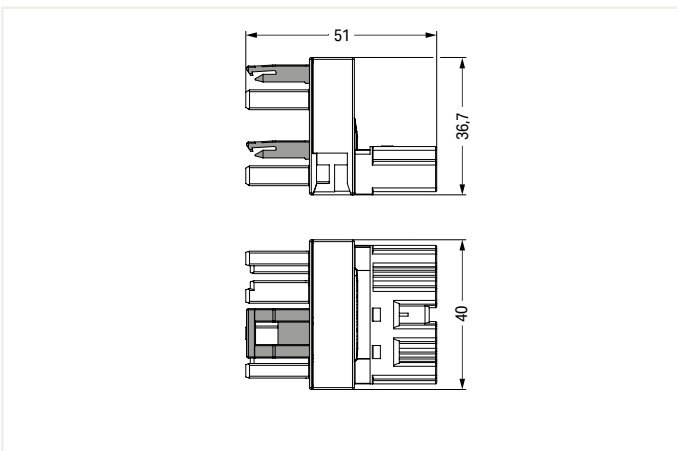
h-distribution connector, unidirectional ▶ Number of locking levers: 3



Color	Coding	Marking	Item No.	PU
gray	B	1 2 3 4	770-1681	50
light green	B	1 2 3 4	770-1682	50
pink	B	1 2 3 4	770-1683	50

Color	Coding	Marking	Item No.	PU
gray	B	1 2 3 4	770-1781	50
light green	B	1 2 3 4	770-1782	50
pink	B	1 2 3 4	770-1783	50

4



Accessories; for all products on this page



Lockout cap; for socket; separable; No. of poles: 12		
Color	Item No.	PU
● black	770-201	100
○ white	770-221	100

Lockout cap; for plug; separable; No. of poles: 5		
Color	Item No.	PU
● yellow	770-360	100

Mounting plate; for distribution connector; No. of poles: 4		
Color	Item No.	PU
● black	770-624	25
○ white	770-674	25

PU = Packaging Unit; SPU = Subpackaging Unit; Dimensions in mm

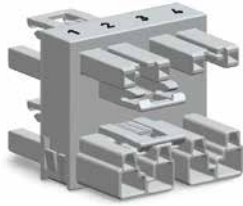
Other variants can be requested via the WAGO sales department or, if necessary, configured at <https://configurator.wago.com/>:

- Other pole markings

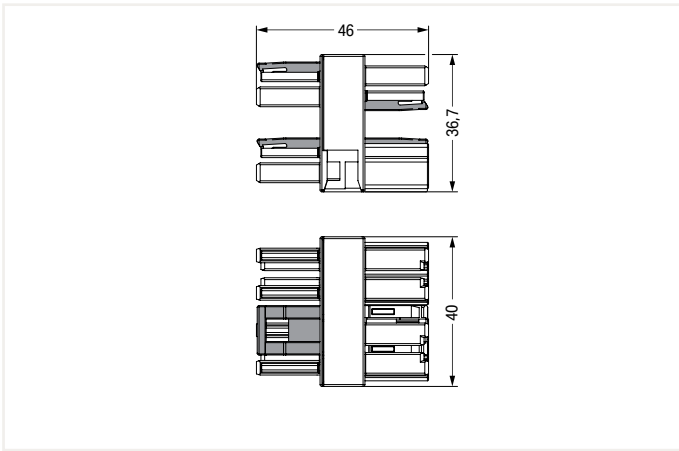
Distribution Connector ▶ WINSTA® MIDI special ▶ 770 Series

No. of poles: 4

Distribution connector, 3-way



Color	Coding	Marking	Item No.	PU
● gray	B	1 2 3 4	770-1734	50
● light green	B	1 2 3 4	770-1735	50
● pink	B	1 2 3 4	770-1736	50



4

Accessories; for all products on this page



Lockout cap; for socket; separable; No. of poles: 12		
Color	Item No.	PU
● black	770-201	100
○ white	770-221	100



Lockout cap; for plug; separable; No. of poles: 5		
Color	Item No.	PU
● yellow	770-360	100



Mounting plate; for distribution connector; No. of poles: 4		
Color	Item No.	PU
● black	770-624	25
○ white	770-674	25

PU = Packaging Unit; SPU = Subpackaging Unit; Dimensions in mm

Other variants can be requested via the WAGO sales department or, if necessary, configured at <https://configurator.wago.com/>:

- Other pole markings

Cable Assembly ▶ WINSTA® MIDI special ▶ 771 Series

No. of poles: 4 ▶ Protection class: IP20 ▶ Coding: B ▶ Marking: 1 2 3 4 ▶ PVC



- Protected against mismatching and maintenance-free
- Push-in CAGE CLAMP® spring pressure connection technology allows solid conductors to be simply pushed into a unit
- Two-wire connection per pole for loops or bridges
- Additional variable coding is possible
- Components can be clearly printed on and color-coded to meet custom requirements

Electrical Data						
Cross section of single conductor	1 mm ²			1.5 mm ²		
Ratings per	IEC/EN 60664-1			IEC/EN 60664-1		
Overvoltage category	III	III	II	III	III	II
Pollution degree	3	2	2	3	2	2
Rated voltage	400 V	-	-	400 V	-	-
Rated impulse voltage	6 kV	-	-	6 kV	-	-
Rated current	10 A	-	-	16 A	-	-
Approvals per	UL 1977			UL 1977		
Rated voltage	600 V			600 V		
Rated current	23 A			23 A		

Material Data	
Insulating material	Polyamide 66 (PA 66)
Flammability class per UL94	V0
Contact material	Copper or copper alloy, surface-treated

Mechanical Data	
Mating force of a plug-in connection	approx. 20 ... 70 N (depending on pole number)
Unmating force of a plug-in connection	when unlocked: approx. 20 ... 70 N (depending on pole number)
Retention force of a plug-in connection	when locked: > 80N
Protection class	IP20
Note on protection class	Only in mated condition with strain relief housing (These compact connectors are not designed for use in open, easily accessible areas.)

Environmental Requirements	
Processing temperature	-5 ... +40 °C
Continuous operating temperature	-35 ... +85 °C
Note on continuous service temperature	PVC cable for temperatures ≤ 70 °C (including halogen-free) Insulating parts for temperatures ≤ 105 °C

Cables with different fire load are available in the eShop

Application note for the U.S. market (USR): Some versions may also be used for current interruption in accordance with the UL certificate in select applications with currents below 16 A and voltages up to 600 V. For further information, please contact your local sales office.

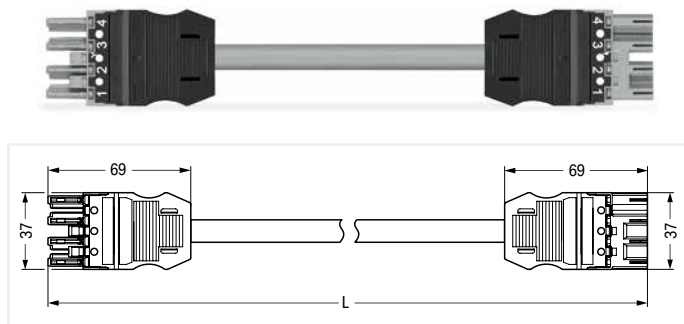
Marking Page 511

Additional information, see "Technical Section"

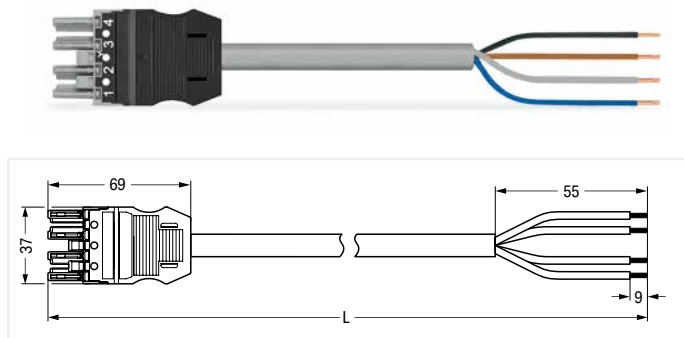
Approvals and corresponding ratings, visit www.wago.com

Cable Assembly ▶ WINSTA® MIDI special ▶ 771 Series

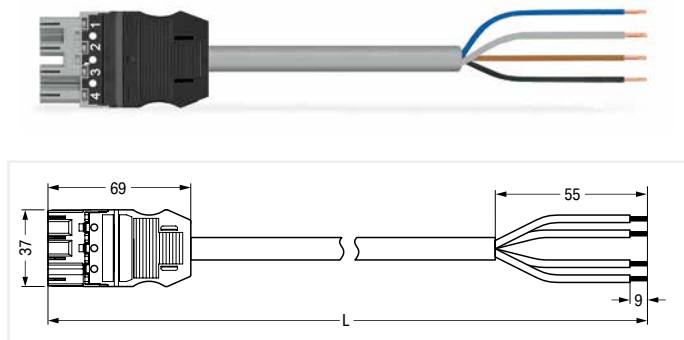
No. of poles: 4 ▶ Protection class: IP20 ▶ Coding: B ▶ Marking: 1 2 3 4 ▶ PVC ▶ 1 mm² ▶ Cable diameter: 7.1 ... 9 mm ▶ Control line 4 x 1



Total length	Connector color/Strain relief color			PU
	gray/black	light green/black	pink/black	
1 m	771-9994/005-103	771-9994/005-105	771-9994/005-107	1
2 m	771-9994/005-203	771-9994/005-205	771-9994/005-207	1
3 m	771-9994/005-303	771-9994/005-305	771-9994/005-307	1
4 m	771-9994/005-403	771-9994/005-405	771-9994/005-407	1
5 m	771-9994/005-503	771-9994/005-505	771-9994/005-507	1
6 m	771-9994/005-603	771-9994/005-605	771-9994/005-607	1
7 m	771-9994/005-703	771-9994/005-705	771-9994/005-707	1
8 m	771-9994/005-803	771-9994/005-805	771-9994/005-807	1



Total length	Connector color/Strain relief color			PU
	gray/black	light green/black	pink/black	
1 m	771-9994/105-103	771-9994/105-105	771-9994/105-107	1
2 m	771-9994/105-203	771-9994/105-205	771-9994/105-207	1
3 m	771-9994/105-303	771-9994/105-305	771-9994/105-307	1
4 m	771-9994/105-403	771-9994/105-405	771-9994/105-407	1
5 m	771-9994/105-503	771-9994/105-505	771-9994/105-507	1
6 m	771-9994/105-603	771-9994/105-605	771-9994/105-607	1
7 m	771-9994/105-703	771-9994/105-705	771-9994/105-707	1
8 m	771-9994/105-803	771-9994/105-805	771-9994/105-807	1



Total length	Connector color/Strain relief color			PU
	gray/black	light green/black	pink/black	
1 m	771-9994/205-103	771-9994/205-105	771-9994/205-107	1
2 m	771-9994/205-203	771-9994/205-205	771-9994/205-207	1
3 m	771-9994/205-303	771-9994/205-305	771-9994/205-307	1
4 m	771-9994/205-403	771-9994/205-405	771-9994/205-407	1
5 m	771-9994/205-503	771-9994/205-505	771-9994/205-507	1
6 m	771-9994/205-603	771-9994/205-605	771-9994/205-607	1
7 m	771-9994/205-703	771-9994/205-705	771-9994/205-707	1
8 m	771-9994/205-803	771-9994/205-805	771-9994/205-807	1

4

Accessories; for all products on this page



Locking lever, for flying leads; manually operated		
Color	Item No.	PU (SPU)
● black	770-101	100 (25)
○ white	770-121	100 (25)

Locking lever, for flying leads; tool operated		
Color	Item No.	PU (SPU)
● black	770-111	100 (25)
○ white	770-131	100 (25)

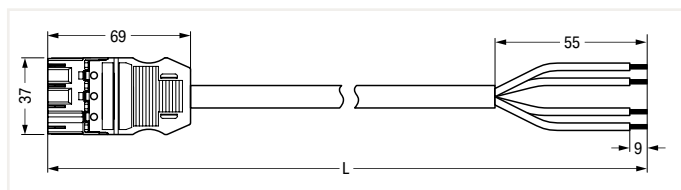
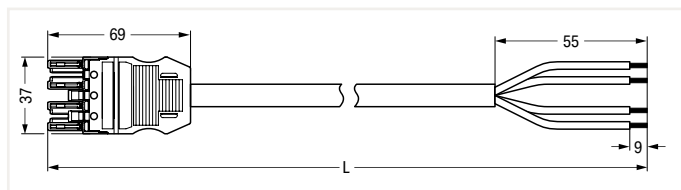
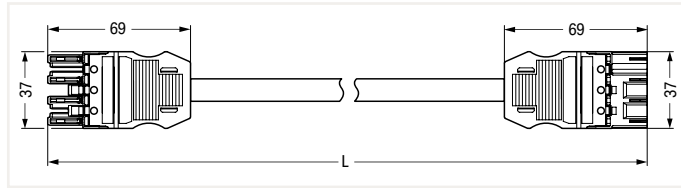
PU = Packaging Unit; SPU = Subpackaging Unit; Dimensions in mm

Other variants can be requested via the WAGO sales department or, if necessary, configured at <https://configurator.wago.com/>:

- Other pole markings

Cable Assembly ▶ WINSTA® MIDI special ▶ 771 Series

No. of poles: 4 ▶ Protection class: IP20 ▶ Coding: B ▶ Marking: 1 2 3 4 ▶ PVC ▶ 1.5 mm² ▶ Cable diameter: 8.4 ... 10.5 mm ▶ Control line 4 x 1.5



Interconnecting cable ▶ Socket - Plug

Total length	Connector color/Strain relief color			PU
	gray/black	light green/black	pink/black	
1 m	771-9994/006-103	771-9994/006-105	771-9994/006-107	1
2 m	771-9994/006-203	771-9994/006-205	771-9994/006-207	1
3 m	771-9994/006-303	771-9994/006-305	771-9994/006-307	1
4 m	771-9994/006-403	771-9994/006-405	771-9994/006-407	1
5 m	771-9994/006-503	771-9994/006-505	771-9994/006-507	1
6 m	771-9994/006-603	771-9994/006-605	771-9994/006-607	1
7 m	771-9994/006-703	771-9994/006-705	771-9994/006-707	1
8 m	771-9994/006-803	771-9994/006-805	771-9994/006-807	1

Connecting cable ▶ Socket - Free end

Total length	Connector color/Strain relief color			PU
	gray/black	light green/black	pink/black	
1 m	771-9994/106-103	771-9994/106-105	771-9994/106-107	1
2 m	771-9994/106-203	771-9994/106-205	771-9994/106-207	1
3 m	771-9994/106-303	771-9994/106-305	771-9994/106-307	1
4 m	771-9994/106-403	771-9994/106-405	771-9994/106-407	1
5 m	771-9994/106-503	771-9994/106-505	771-9994/106-507	1
6 m	771-9994/106-603	771-9994/106-605	771-9994/106-607	1
7 m	771-9994/106-703	771-9994/106-705	771-9994/106-707	1
8 m	771-9994/106-803	771-9994/106-805	771-9994/106-807	1

Connecting cable ▶ Plug - Free end

Total length	Connector color/Strain relief color			PU
	gray/black	light green/black	pink/black	
1 m	771-9994/206-103	771-9994/206-105	771-9994/206-107	1
2 m	771-9994/206-203	771-9994/206-205	771-9994/206-207	1
3 m	771-9994/206-303	771-9994/206-305	771-9994/206-307	1
4 m	771-9994/206-403	771-9994/206-405	771-9994/206-407	1
5 m	771-9994/206-503	771-9994/206-505	771-9994/206-507	1
6 m	771-9994/206-603	771-9994/206-605	771-9994/206-607	1
7 m	771-9994/206-703	771-9994/206-705	771-9994/206-707	1
8 m	771-9994/206-803	771-9994/206-805	771-9994/206-807	1

4

Accessories; for all products on this page



Locking lever, for flying leads; manually operated

Color	Item No.	PU (SPU)
● black	770-101	100 (25)
○ white	770-121	100 (25)

Locking lever, for flying leads; tool operated

Color	Item No.	PU (SPU)
● black	770-111	100 (25)
○ white	770-131	100 (25)

PU = Packaging Unit; SPU = Subpackaging Unit; Dimensions in mm

Other variants can be requested via the WAGO sales department or, if necessary, configured at <https://configurator.wago.com/>:

- Other pole markings

Pluggable Connector ▶ WINSTA® MIDI special ▶ 770 Series

No. of poles: 5



- Protected against mismatching and maintenance-free
- Push-in CAGE CLAMP® spring pressure connection technology allows solid conductors to be simply pushed into a unit
- Two-wire connection per pole for loops or bridges
- Additional variable coding is possible
- Components can be clearly printed on and color-coded to meet custom requirements

Electrical Data

Ratings per	IEC/EN 60664-1		
Overvoltage category	III	III	II
Pollution degree	3	2	2
Rated voltage	400 V	-	-
Rated impulse voltage	6 kV	-	-
Rated current	25 A	-	-
Note on rated current	25 A for 3-pole load 20 A for 4- and 5-pole load		
Approvals per	UL 1977		
Rated voltage	600 V		
Rated current	23 A		

Connection Data

Connection technology	Push-in CAGE CLAMP®
Strip length	9 mm / 0.35 Inch
Nominal cross section	4 mm ²
Solid conductor	0.5 ... 4 mm ² / 20 ... 12 AWG
Solid conductor, push-in termination	1.5 ... 4 mm ² / 16 ... 12 AWG
Stranded conductor	0.5 ... 2.5 mm ² / 20 ... 14 AWG
Fine-stranded conductor	0.5 ... 4 mm ² / 20 ... 12 AWG
Fine-stranded conductor with ferrule with plastic collar	0.25 ... 1.5 mm ² / 20 ... 16 AWG
Fine-stranded conductor with ferrule without plastic collar	0.25 ... 2.5 mm ² / 20 ... 14 AWG
Fine-stranded conductor with ferrule, push-in termination, from	1.5 mm ² / 16 AWG

Material Data

Insulating material	Polyamide 66 (PA 66)
Flammability class per UL94	V0
Clamping spring material	Chrome nickel spring steel (CrNi)
Contact material	Copper or copper alloy, surface-treated

Mechanical Data

Mating force of a plug-in connection	Approx. 20 ... 70 N (depending on pole number)
Unmating force of a plug-in connection	When unlocked: approx. 20 ... 70 N (depending on pole number)
Retention force of a plug-in connection	When locked: > 80 N
Protection class	IP20
Note on protection class	Only in mated condition with strain relief housing (These compact connectors are not designed for use in open, easily accessible areas.)

Environmental Requirements

Processing temperature	-5 ... +40 °C
Continuous operating temperature	-35 ... +85 °C
Note on continuous service temperature	Insulating parts for temperatures ≤ 105 °C

All connectors for mounted installations (snap-in versions for lighting fixtures or devices, all types of PCB and distribution connectors) are factory-equipped with locking levers to ensure plugs and sockets are securely locked. Additional locking levers are only required for flying leads (plug/socket).

Application note for the U.S. market (USR): Some versions may also be used for current interruption in accordance with the UL certificate in select applications with currents below 16 A and voltages up to 600 V. For further information, please contact your local sales office.

Coding Page 486

Marking Page 511

Strain relief Page 493

Tools Page 506

Additional information, see "Technical Section"

Approvals and corresponding ratings, visit www.wago.com

Pluggable Connector ▶ WINSTA® MIDI special ▶ 770 Series

No. of poles: 5

Female connector/socket

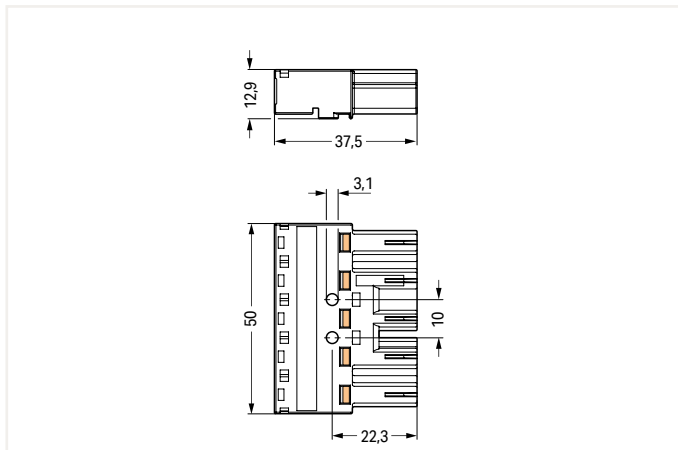
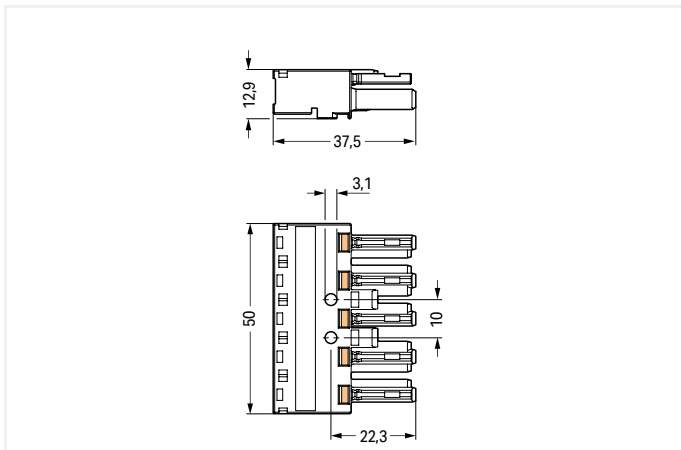
Male connector/plug



Color	Coding	Marking	Item No.	PU
gray	B	1 2 3 4 5	770-245	50
gray	B	N ⊕ L1 L2 L3	770-245/060-000	50
gray	B	N PE 3 2 1	770-245/062-000	50
gray	B	N ⊕ L 2L 1L	770-245/064-000	50
light green	B	1 2 3 4 5	770-265	50
light green	B	1 ⊕ 2 3 4	770-265/073-000	50
pink	B	1 2 3 4 5	770-285	50
pink	B	N ⊕ L I- I+	770-285/080-000	50
pink	B	N ⊕ L - +	770-285/082-000	50

Color	Coding	Marking	Item No.	PU
gray	B	1 2 3 4 5	770-255	50
gray	B	N ⊕ L1 L2 L3	770-255/060-000	50
gray	B	N PE 3 2 1	770-255/062-000	50
gray	B	N ⊕ L 2L 1L	770-255/064-000	50
light green	B	1 2 3 4 5	770-275	50
light green	B	1 ⊕ 2 3 4	770-275/073-000	50
pink	B	1 2 3 4 5	770-295	50
pink	B	N ⊕ L I- I+	770-295/080-000	50
pink	B	N ⊕ L - +	770-295/082-000	50

4



Item-Specific Accessories

Item-Specific Accessories



Lockout cap; for socket; separable; No. of poles: 12

Color	Item No.	PU
● black	770-201	100
○ white	770-221	100

Lockout cap; for plug; separable; No. of poles: 5

Color	Item No.	PU
● yellow	770-360	100

Accessories; for all products on this page



Locking lever, for flying leads; manually operated		
Color	Item No.	PU (SPU)
● black	770-101	100 (25)
○ white	770-121	100 (25)

Locking lever, for flying leads; tool operated		
Color	Item No.	PU (SPU)
● black	770-111	100 (25)
○ white	770-131	100 (25)

Strain relief housing; Connectable sheathed cable diameter: 9 ... 13 mm; Strip length: 55 mm		
Color	Item No.	PU
● black	770-505	25
○ white	770-515	25

PU = Packaging Unit; SPU = Subpackaging Unit; Dimensions in mm

Other variants can be requested via the WAGO sales department or, if necessary, configured at <https://configurator.wago.com/>:

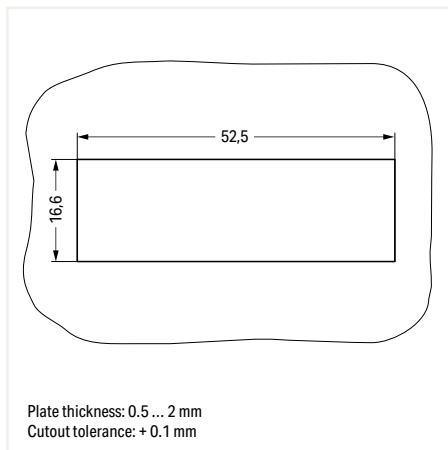
- Other pole markings

Snap-In Device Connector ▶ WINSTA® MIDI special ▶ 770 Series

No. of poles: 5



- Protected against mismatching and maintenance-free
- Push-in CAGE CLAMP® spring pressure connection technology allows solid conductors to be simply pushed into a unit
- Two-wire connection per pole for loops or bridges
- Additional variable coding is possible
- Components can be clearly printed on and color-coded to meet custom requirements



Electrical Data

Ratings per	IEC/EN 60664-1		
Overvoltage category	III	III	II
Pollution degree	3	2	2
Rated voltage	400 V	-	-
Rated impulse voltage	6 kV	-	-
Rated current	25 A	-	-
Note on rated current	25 A for 3-pole load 20 A for 4- and 5-pole load		
Approvals per	UL 1977		
Rated voltage	600 V		
Rated current	23 A		

Connection Data

Connection technology	Push-in CAGE CLAMP®
Strip length	9 mm / 0.35 Inch
Nominal cross section	4 mm ²
Solid conductor	0.5 ... 4 mm ² / 20 ... 12 AWG
Solid conductor, push-in termination	1.5 ... 4 mm ² / 16 ... 12 AWG
Stranded conductor	0.5 ... 2.5 mm ² / 20 ... 14 AWG
Fine-stranded conductor	0.5 ... 4 mm ² / 20 ... 12 AWG
Fine-stranded conductor with ferrule with plastic collar	0.25 ... 1.5 mm ² / 20 ... 16 AWG
Fine-stranded conductor with ferrule without plastic collar	0.25 ... 2.5 mm ² / 20 ... 14 AWG
Fine-stranded conductor with ferrule, push-in termination, from	1.5 mm ² / 16 AWG

Material Data

Insulating material	Polyamide 66 (PA 66)
Flammability class per UL94	V0
Clamping spring material	Chrome nickel spring steel (CrNi)
Contact material	Copper or copper alloy, surface-treated

Mechanical Data

Mating force of a plug-in connection	Approx. 20 ... 70 N (depending on pole number)
Unmating force of a plug-in connection	When unlocked: approx. 20 ... 70 N (depending on pole number)
Retention force of a plug-in connection	When locked: > 80 N
Protection class	IP20
Note on protection class	Only in mated condition with strain relief housing (These compact connectors are not designed for use in open, easily accessible areas.)

Environmental Requirements

Processing temperature	-5 ... +40 °C
Continuous operating temperature	-35 ... +85 °C
Note on continuous service temperature	Insulating parts for temperatures ≤ 105 °C

All connectors for mounted installations (snap-in versions for lighting fixtures or devices, all types of PCB and distribution connectors) are factory-equipped with locking levers to ensure plugs and sockets are securely locked. Additional locking levers are only required for flying leads (plug/socket).

Application note for the U.S. market (USR): Some versions may also be used for current interruption in accordance with the UL certificate in select applications with currents below 16 A and voltages up to 600 V. For further information, please contact your local sales office.

Tools Page 506

Additional information, see "Technical Section"

Approvals and corresponding ratings, visit www.wago.com

Snap-In Device Connector ▶ WINSTA® MIDI special ▶ 770 Series

No. of poles: 5

Female connector/socket

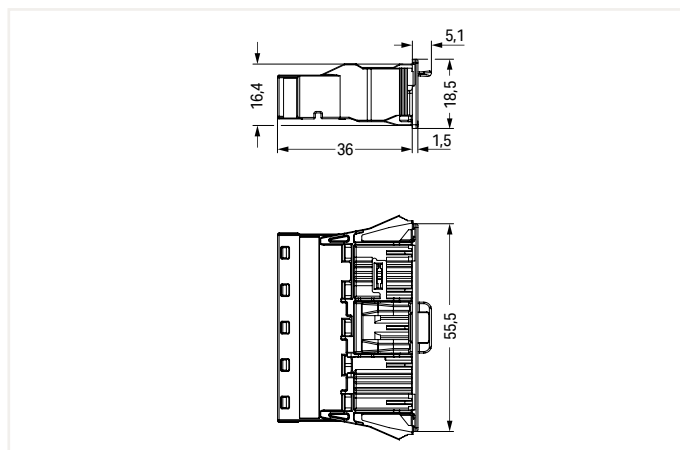
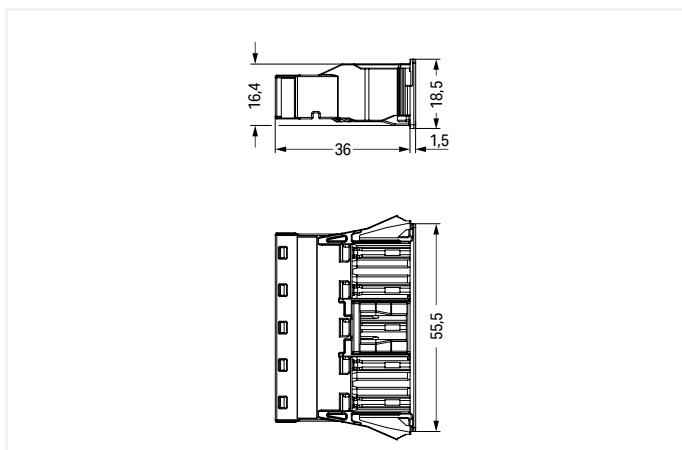
Male connector/plug



Color	Coding	Marking	Item No.	PU
gray	B	1 2 3 4 5	770-745	50
gray	B	N ⊕ L1 L2 L3	770-745/060-000	50
gray	B	N PE 3 2 1	770-745/062-000	50
gray	B	N ⊕ L 2L 1L	770-745/064-000	50
light green	B	1 2 3 4 5	770-765	50
light green	B	1 ⊕ 2 3 4	770-765/073-000	50
pink	B	1 2 3 4 5	770-785	50
pink	B	N ⊕ L I- I+	770-785/080-000	50
pink	B	N ⊕ L - +	770-785/082-000	50

Color	Coding	Marking	Item No.	PU
gray	B	1 2 3 4 5	770-755	50
gray	B	N ⊕ L1 L2 L3	770-755/060-000	50
gray	B	N PE 3 2 1	770-755/062-000	50
gray	B	N ⊕ L 2L 1L	770-755/064-000	50
light green	B	1 2 3 4 5	770-775	50
light green	B	1 ⊕ 2 3 4	770-775/073-000	50
pink	B	1 2 3 4 5	770-795	50
pink	B	N ⊕ L I- I+	770-795/080-000	50
pink	B	N ⊕ L - +	770-795/082-000	50

4



Item-Specific Accessories

Item-Specific Accessories



Lockout cap; for socket; separable; No. of poles: 12

Color	Item No.	PU
black	770-201	100
white	770-221	100

Lockout cap; for plug; separable; No. of poles: 5

Color	Item No.	PU
yellow	770-360	100

Accessories; for all products on this page



Lockout cap; for cutout; No. of poles: 5

Color	Item No.	PU
black	770-645	100
white	770-695	100

PU = Packaging Unit; SPU = Subpackaging Unit; Dimensions in mm

Other variants can be requested via the WAGO sales department or, if necessary, configured at <https://configurator.wago.com/>:

- Other pole markings

Pluggable PCB Connector ▶ WINSTA® MIDI special ▶ 770 Series

No. of poles: 5



- Protected against mismatching and maintenance-free
- Push-in CAGE CLAMP® spring pressure connection technology allows solid conductors to be simply pushed into a unit
- Two-wire connection per pole for loops or bridges
- Additional variable coding is possible
- Components can be clearly printed on and color-coded to meet custom requirements

Electrical Data

Ratings per	IEC/EN 60664-1		
Overvoltage category	III	III	II
Pollution degree	3	2	2
Rated voltage	400 V	-	-
Rated impulse voltage	6 kV	-	-
Rated current	25 A	-	-

Note on rated current	25 A for 3-pole load 20 A for 4- and 5-pole load
-----------------------	-----------------------------------------------------

Approvals per	UL 1977
Rated voltage	600 V
Rated current	23 A

Material Data

Insulating material	Polyamide 66 (PA 66)
Flammability class per UL94	V0
Contact material	Copper or copper alloy, surface-treated

Mechanical Data

Solder pin arrangement	2 in-line solder pins/pole
Solder pin length	3.5 mm
Solder pin dimensions	1 x 0.8 mm
Drilled hole diameter (tolerance)	1.5 ^(+0.1) mm
Mating force of a plug-in connection	Approx. 20 ... 70 N (depending on pole number)
Unmating force of a plug-in connection	When unlocked: approx. 20 ... 70 N (depending on pole number)
Retention force of a plug-in connection	When locked: > 80 N
Protection class	IP20
Note on protection class	Only in mated condition with strain relief housing (These compact connectors are not designed for use in open, easily accessible areas.)

Environmental Requirements

Processing temperature	-5 ... +40 °C
Continuous operating temperature	-35 ... +85 °C
Note on continuous service temperature	Insulating parts for temperatures ≤ 105 °C

All connectors for mounted installations (snap-in versions for lighting fixtures or devices, all types of PCB and distribution connectors) are factory-equipped with locking levers to ensure plugs and sockets are securely locked. Additional locking levers are only required for flying leads (plug/socket).

Application note for the U.S. market (USR): Some versions may also be used for current interruption in accordance with the UL certificate in select applications with currents below 16 A and voltages up to 600 V. For further information, please contact your local sales office.

Coding Page 486

Additional information, see "Technical Section"

Approvals and corresponding ratings, visit www.wago.com

Pluggable PCB Connector ▶ WINSTA® MIDI special ▶ 770 Series

No. of poles: 5

Straight ▶ Female connector/socket



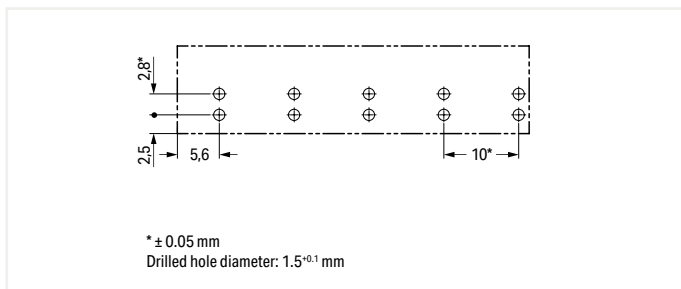
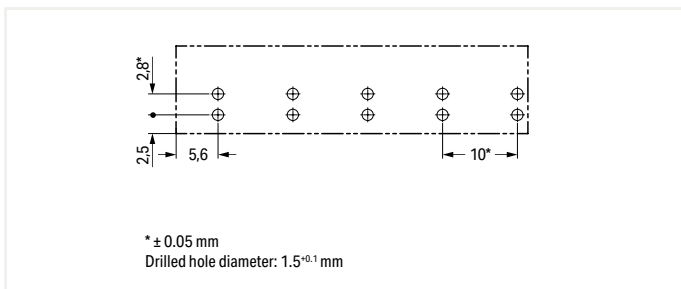
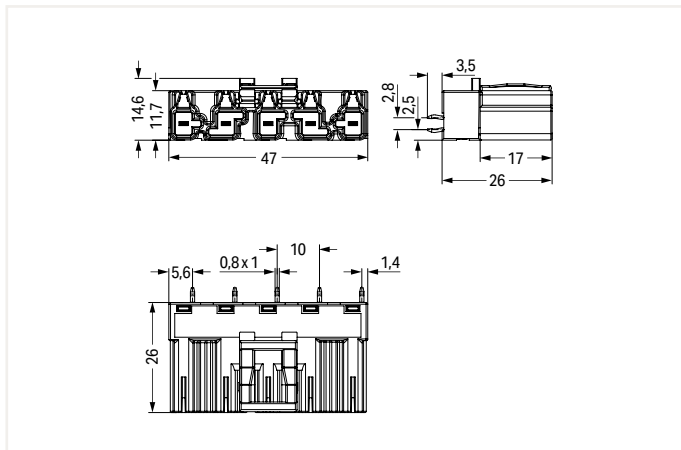
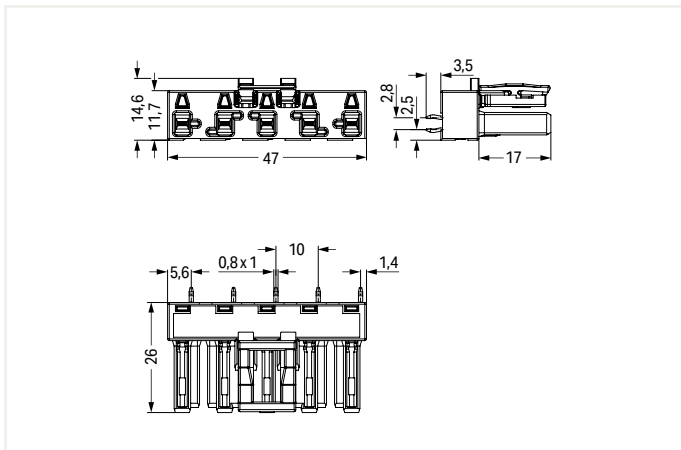
Straight ▶ Male connector/plug



Color	Coding	Marking	Item No.	PU
gray	B	1 2 3 4 5	770-845	50
gray	B	N ⊕ L1 L2 L3	770-845/060-000	50
gray	B	N PE 3 2 1	770-845/062-000	50
gray	B	N ⊕ L 2L 1L	770-845/064-000	50
light green	B	1 2 3 4 5	770-865	50
light green	B	1 ⊕ 2 3 4	770-865/073-000	50
pink	B	1 2 3 4 5	770-885	50
pink	B	N ⊕ L I- I+	770-885/080-000	50
pink	B	N ⊕ L - +	770-885/082-000	50

Color	Coding	Marking	Item No.	PU
gray	B	1 2 3 4 5	770-855	50
gray	B	N ⊕ L1 L2 L3	770-855/060-000	50
gray	B	N PE 3 2 1	770-855/062-000	50
gray	B	N ⊕ L 2L 1L	770-855/064-000	50
light green	B	1 2 3 4 5	770-875	50
light green	B	1 ⊕ 2 3 4	770-875/073-000	50
pink	B	1 2 3 4 5	770-895	50
pink	B	N ⊕ L I- I+	770-895/080-000	50
pink	B	N ⊕ L - +	770-895/082-000	50

4



Item-Specific Accessories



Lockout cap; for socket; separable; No. of poles: 12

Color	Item No.	PU
black	770-201	100
white	770-221	100



Lockout cap; for plug; separable; No. of poles: 5

Color	Item No.	PU
yellow	770-360	100

PU = Packaging Unit; SPU = Subpackaging Unit; Dimensions in mm

Other variants can be requested via the WAGO sales department or, if necessary, configured at <https://configurator.wago.com/>:

- Other pole markings

Pluggable PCB Connector ▶ WINSTA® MIDI special ▶ 770 Series

No. of poles: 5

Angled ▶ Female connector/socket

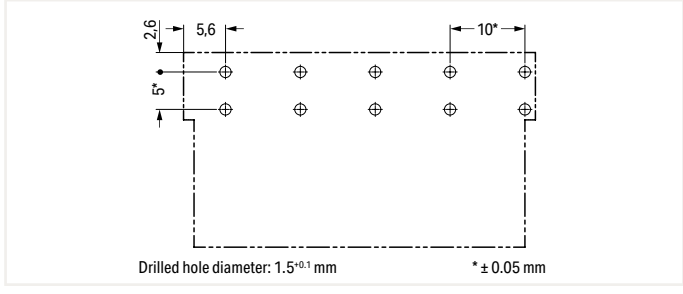
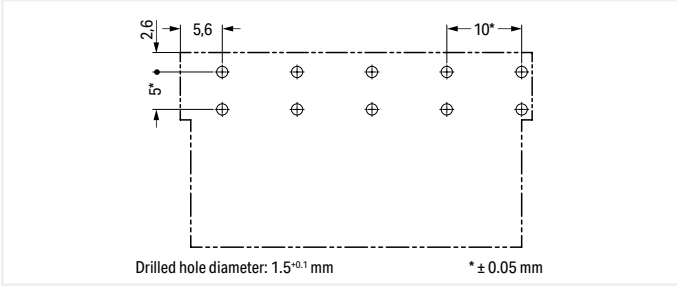
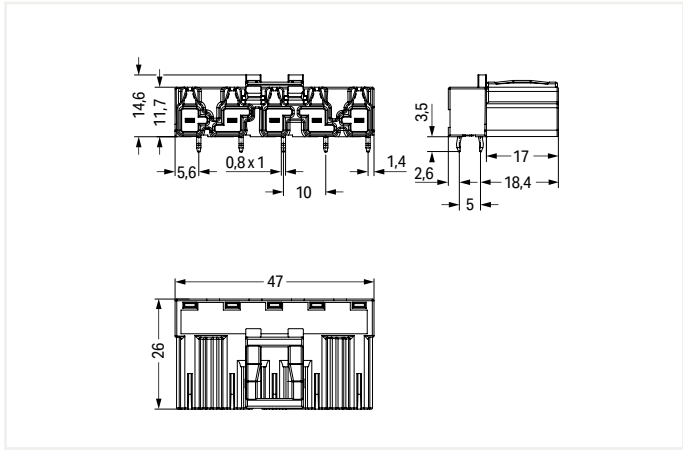
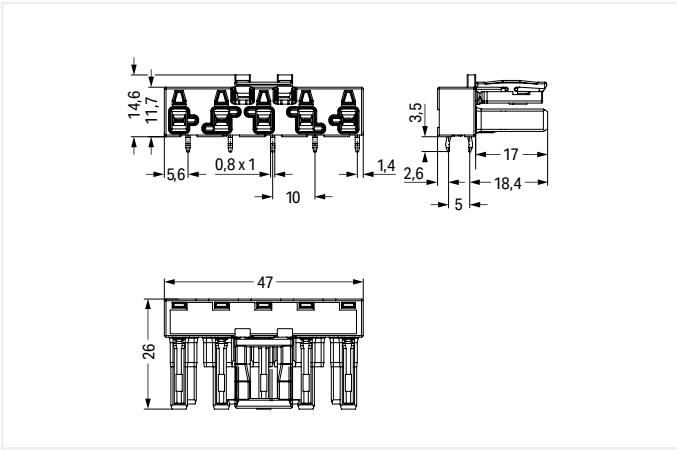
Angled ▶ Male connector/plug



Color	Coding	Marking	Item No.	PU
gray	B	1 2 3 4 5	770-845/011-000	50
gray	B	N ⊕ L1 L2 L3	770-845/011-000/060-000	50
gray	B	N PE 3 2 1	770-845/011-000/062-000	50
gray	B	N ⊕ L 2L 1L	770-845/011-000/064-000	50
light green	B	1 2 3 4 5	770-865/011-000	50
pink	B	1 2 3 4 5	770-885/011-000	50
pink	B	N ⊕ L1 - I+	770-885/011-000/080-000	50
pink	B	N ⊕ L - +	770-885/011-000/082-000	50

Color	Coding	Marking	Item No.	PU
gray	B	N ⊕ L1 L2 L3	770-855/011-000/060-000	50
gray	B	N PE 3 2 1	770-855/011-000/062-000	50
gray	B	N ⊕ L 2L 1L	770-855/011-000/064-000	50
light green	B	1 2 3 4 5	770-875/011-000	50
light green	B	1 ⊕ 2 3 4	770-875/011-000/073-000	50
pink	B	1 2 3 4 5	770-895/011-000	50
pink	B	N ⊕ L1 - I+	770-895/011-000/080-000	50
pink	B	N ⊕ L - +	770-895/011-000/082-000	50

4



Item-Specific Accessories

Item-Specific Accessories



Lockout cap; for socket; separable; No. of poles: 12

Color	Item No.	PU
● black	770-201	100
○ white	770-221	100

Lockout cap; for plug; separable; No. of poles: 5

Color	Item No.	PU
● yellow	770-360	100

PU = Packaging Unit; SPU = Subpackaging Unit; Dimensions in mm

Other variants can be requested via the WAGO sales department or, if necessary, configured at <https://configurator.wago.com/>:

- Other pole markings

Distribution Connector ▶ WINSTA® MIDI special ▶ 770 Series

No. of poles: 5



- Protected against mismatching and maintenance-free
- Push-in CAGE CLAMP® spring pressure connection technology allows solid conductors to be simply pushed into a unit
- Two-wire connection per pole for loops or bridges
- Additional variable coding is possible
- Components can be clearly printed on and color-coded to meet custom requirements

Electrical Data

Ratings per	IEC/EN 60664-1		
Overvoltage category	III	III	II
Pollution degree	3	2	2
Rated voltage	400 V	-	-
Rated impulse voltage	6 kV	-	-
Rated current	25 A	-	-

Note on rated current	25 A for 3-pole load 20 A for 4- and 5-pole load
-----------------------	-----------------------------------------------------

Approvals per	UL 1977
Rated voltage	600 V
Rated current	23 A

Material Data

Insulating material	Polyamide 66 (PA 66)
Flammability class per UL94	V0
Contact material	Copper or copper alloy, surface-treated

Mechanical Data

Mating force of a plug-in connection	Approx. 20 ... 70 N (depending on pole number)
Unmating force of a plug-in connection	When unlocked: approx. 20 ... 70 N (depending on pole number)
Retention force of a plug-in connection	When locked: > 80 N
Protection class	IP20
Note on protection class	Only in mated condition (These compact connectors are not designed for use in open, easily accessible areas.)

Environmental Requirements

Processing temperature	-5 ... +40 °C
Continuous operating temperature	-35 ... +85 °C
Note on continuous service temperature	Insulating parts for temperatures ≤ 105 °C

All connectors for mounted installations (snap-in versions for lighting fixtures or devices, all types of PCB and distribution connectors) are factory-equipped with locking levers to ensure plugs and sockets are securely locked. Additional locking levers are only required for flying leads (plug/socket).

Application note for the U.S. market (USR): Some versions may also be used for current interruption in accordance with the UL certificate in select applications with currents below 16 A and voltages up to 600 V. For further information, please contact your local sales office.

Additional information, see "Technical Section"

Approvals and corresponding ratings, visit www.wago.com

Distribution Connector ▶ WINSTA® MIDI special ▶ 770 Series

No. of poles: 5

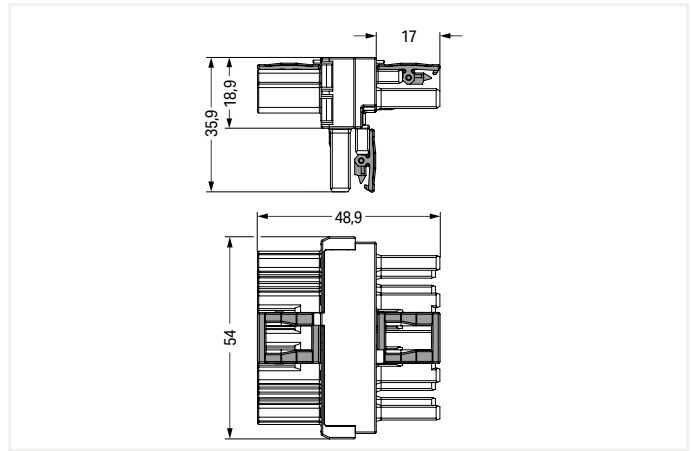
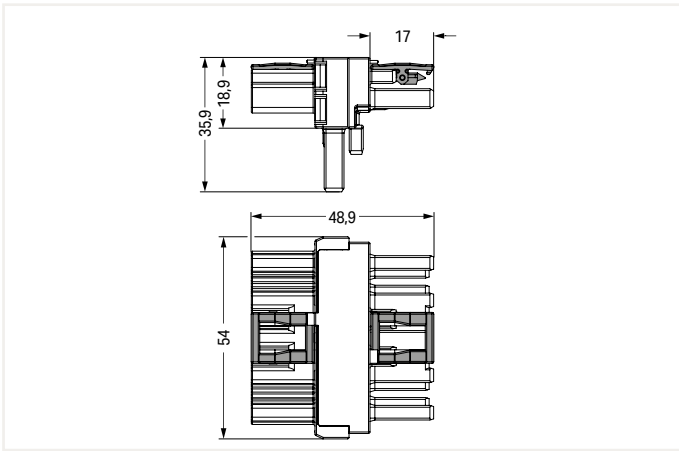
T-distribution connector ▶ Number of locking levers: 2

T-distribution connector ▶ Number of locking levers: 3



Color	Coding	Marking	Item No.	PU
● gray	B	1 2 3 4 5	770-1641	50
● light green	B	1 2 3 4 5	770-1642	50
● pink	B	1 2 3 4 5	770-1643	50

Color	Coding	Marking	Item No.	PU
● gray	B	1 2 3 4 5	770-1741	50
● light green	B	1 2 3 4 5	770-1742	50
● pink	B	1 2 3 4 5	770-1743	50



4

Accessories; for all products on this page



Lockout cap; for socket; separable; No. of poles: 12

Color	Item No.	PU
● black	770-201	100
○ white	770-221	100

Mounting adapter; for T-distribution connector; for 2- to 5-pole

Item No.	PU
770-354	50

Lockout cap; for plug; separable; No. of poles: 5

Color	Item No.	PU
● yellow	770-360	100

PU = Packaging Unit; SPU = Subpackaging Unit; Dimensions in mm

Other variants can be requested via the WAGO sales department or, if necessary, configured at <https://configurator.wago.com/>:

- Other pole markings

Distribution Connector ▶ WINSTA® MIDI special ▶ 770 Series

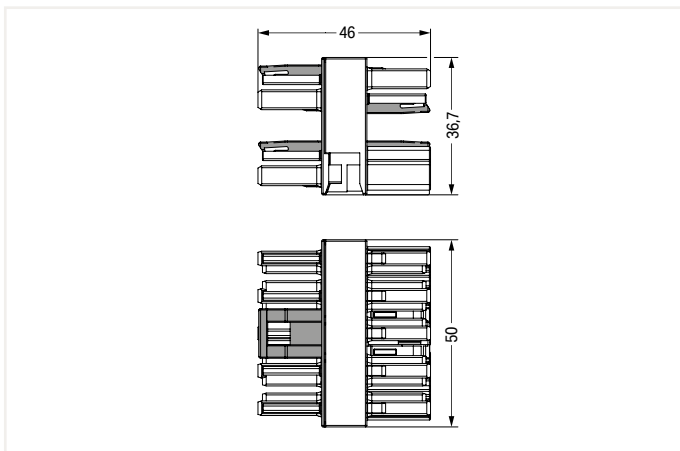
No. of poles: 5

Distribution connector, 3-way



Color	Coding	Marking	Item No.	PU
gray	B	1 2 3 4 5	770-1744	25
light green	B	1 2 3 4 5	770-1745	25
pink	B	1 2 3 4 5	770-1746	25

4



Accessories; for all products on this page



Lockout cap; for socket; separable; No. of poles: 12		
Color	Item No.	PU
● black	770-201	100
○ white	770-221	100



Lockout cap; for plug; separable; No. of poles: 5		
Color	Item No.	PU
● yellow	770-360	100



Mounting plate; for distribution connector; No. of poles: 5		
Color	Item No.	PU
● black	770-625	25
○ white	770-675	25

PU = Packaging Unit; SPU = Subpackaging Unit; Dimensions in mm

Other variants can be requested via the WAGO sales department or, if necessary, configured at <https://configurator.wago.com/>:

- Other pole markings

Cable Assembly ▶ WINSTA® MIDI special ▶ 771 Series

No. of poles: 5 ▶ Protection class: IP20 ▶ Coding: B ▶ Marking: 1 2 3 4 5 ▶ PVC



- Protected against mismatching and maintenance-free
- Push-in CAGE CLAMP® spring pressure connection technology allows solid conductors to be simply pushed into a unit
- Two-wire connection per pole for loops or bridges
- Additional variable coding is possible
- Components can be clearly printed on and color-coded to meet custom requirements

Electrical Data						
Cross section of single conductor	1 mm ²			1.5 mm ²		
Ratings per	IEC/EN 60664-1			IEC/EN 60664-1		
Overvoltage category	III	III	II	III	III	II
Pollution degree	3	2	2	3	2	2
Rated voltage	400 V	-	-	400 V	-	-
Rated impulse voltage	6 kV	-	-	6 kV	-	-
Rated current	10 A	-	-	16 A	-	-
Approvals per	UL 1977			UL 1977		
Rated voltage	600 V			600 V		
Rated current	23 A			23 A		

Material Data	
Insulating material	Polyamide 66 (PA 66)
Flammability class per UL94	V0
Contact material	Copper or copper alloy, surface-treated
Reaction to fire class per EN 50575	E _{ca}

Mechanical Data	
Mating force of a plug-in connection	approx. 20 ... 70 N (depending on pole number)
Unmating force of a plug-in connection	when unlocked: approx. 20 ... 70 N (depending on pole number)
Retention force of a plug-in connection	when locked: > 80N
Protection class	IP20
Note on protection class	Only in mated condition with strain relief housing (These compact connectors are not designed for use in open, easily accessible areas.)

Environmental Requirements	
Processing temperature	-5 ... +40 °C
Continuous operating temperature	-35 ... +85 °C
Note on continuous service temperature	PVC cable for temperatures ≤ 70 °C (including halogen-free) Insulating parts for temperatures ≤ 105 °C

Cables with different fire load are available in the eShop

Application note for the U.S. market (USR): Some versions may also be used for current interruption in accordance with the UL certificate in select applications with currents below 16 A and voltages up to 600 V. For further information, please contact your local sales office.

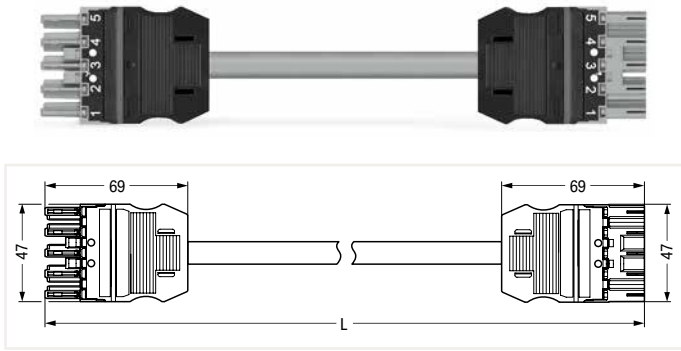
Marking Page 511

Additional information, see "Technical Section"

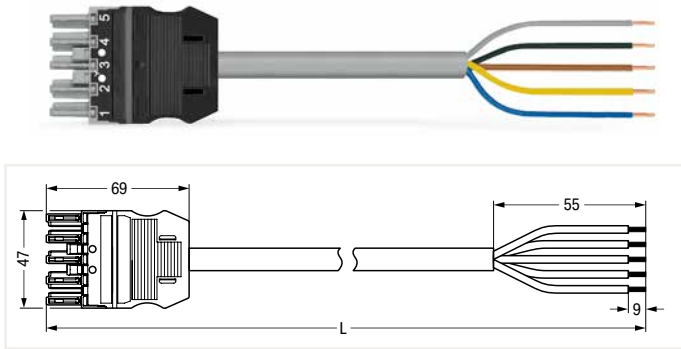
Approvals and corresponding ratings, visit www.wago.com

Cable Assembly ▶ WINSTA® MIDI special ▶ 771 Series

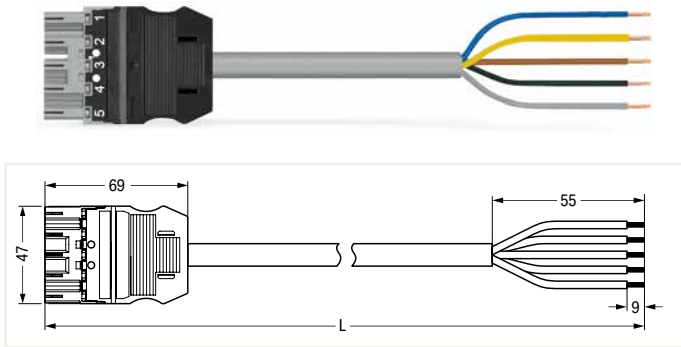
No. of poles: 5 ▶ Protection class: IP20 ▶ Coding: B ▶ Marking: 1 2 3 4 5 ▶ PVC ▶ 1 mm² ▶ Cable diameter: 7.8 ... 9.3 mm ▶ Control line 5 x 1



Interconnecting cable ▶ Socket - Plug				
Total length	Connector color/Strain relief color			PU
	gray/black	light green/black	pink/black	
1 m	771-9995/005-103	771-9995/005-105	771-9995/005-107	1
2 m	771-9995/005-203	771-9995/005-205	771-9995/005-207	1
3 m	771-9995/005-303	771-9995/005-305	771-9995/005-307	1
4 m	771-9995/005-403	771-9995/005-405	771-9995/005-407	1
5 m	771-9995/005-503	771-9995/005-505	771-9995/005-507	1
6 m	771-9995/005-603	771-9995/005-605	771-9995/005-607	1
7 m	771-9995/005-703	771-9995/005-705	771-9995/005-707	1
8 m	771-9995/005-803	771-9995/005-805	771-9995/005-807	1



Connecting cable ▶ Socket - Free end				
Total length	Connector color/Strain relief color			PU
	gray/black	light green/black	pink/black	
1 m	771-9995/105-103	771-9995/105-105	771-9995/105-107	1
2 m	771-9995/105-203	771-9995/105-205	771-9995/105-207	1
3 m	771-9995/105-303	771-9995/105-305	771-9995/105-307	1
4 m	771-9995/105-403	771-9995/105-405	771-9995/105-407	1
5 m	771-9995/105-503	771-9995/105-505	771-9995/105-507	1
6 m	771-9995/105-603	771-9995/105-605	771-9995/105-607	1
7 m	771-9995/105-703	771-9995/105-705	771-9995/105-707	1
8 m	771-9995/105-803	771-9995/105-805	771-9995/105-807	1



Connecting cable ▶ Plug - Free end				
Total length	Connector color/Strain relief color			PU
	gray/black	light green/black	pink/black	
1 m	771-9995/205-103	771-9995/205-105	771-9995/205-107	1
2 m	771-9995/205-203	771-9995/205-205	771-9995/205-207	1
3 m	771-9995/205-303	771-9995/205-305	771-9995/205-307	1
4 m	771-9995/205-403	771-9995/205-405	771-9995/205-407	1
5 m	771-9995/205-503	771-9995/205-505	771-9995/205-507	1
6 m	771-9995/205-603	771-9995/205-605	771-9995/205-607	1
7 m	771-9995/205-703	771-9995/205-705	771-9995/205-707	1
8 m	771-9995/205-803	771-9995/205-805	771-9995/205-807	1

4

Accessories; for all products on this page



Locking lever, for flying leads; manually operated		
Color	Item No.	PU (SPU)
● black	770-101	100 (25)
○ white	770-121	100 (25)

Locking lever, for flying leads; tool operated		
Color	Item No.	PU (SPU)
● black	770-111	100 (25)
○ white	770-131	100 (25)

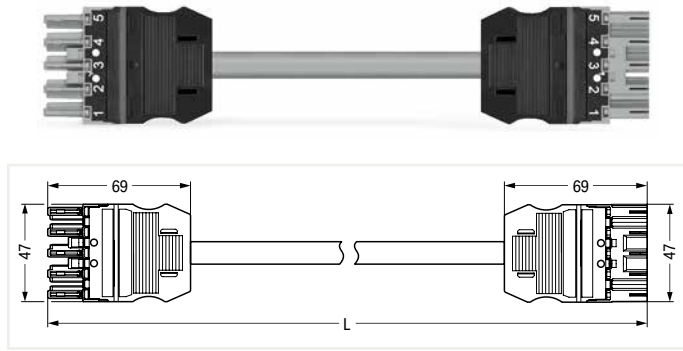
PU = Packaging Unit; SPU = Subpackaging Unit; Dimensions in mm

Other variants can be requested via the WAGO sales department or, if necessary, configured at <https://configurator.wago.com/>:

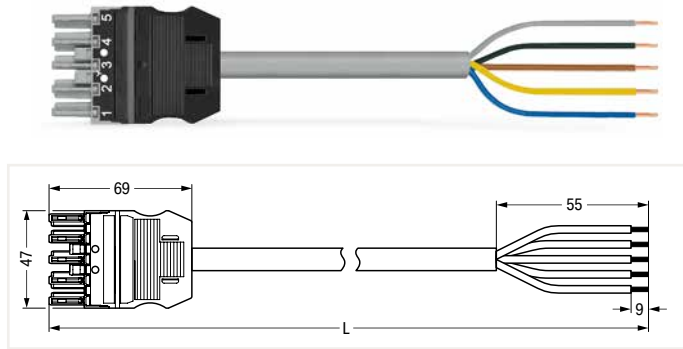
- Other pole markings

Cable Assembly ▶ WINSTA® MIDI special ▶ 771 Series

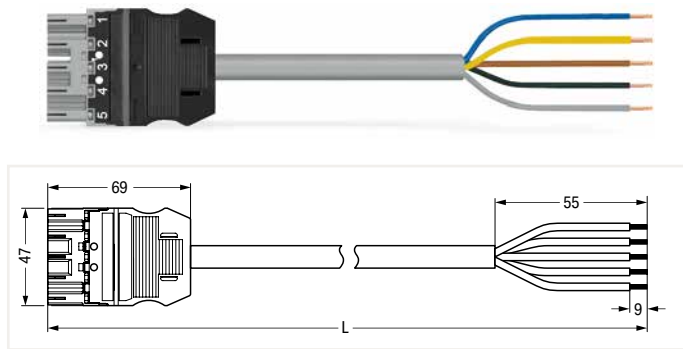
No. of poles: 5 ▶ Protection class: IP20 ▶ Coding: B ▶ Marking: 1 2 3 4 5 ▶ PVC ▶ 1.5 mm² ▶ Cable diameter: 9.3 ... 11.6 mm ▶ Control line 5 x 1.5



Total length	Connector color/Strain relief color			PU
	gray/black	light green/black	pink/black	
1 m	771-9995/006-103	771-9995/006-105	771-9995/006-107	1
2 m	771-9995/006-203	771-9995/006-205	771-9995/006-207	1
3 m	771-9995/006-303	771-9995/006-305	771-9995/006-307	1
4 m	771-9995/006-403	771-9995/006-405	771-9995/006-407	1
5 m	771-9995/006-503	771-9995/006-505	771-9995/006-507	1
6 m	771-9995/006-603	771-9995/006-605	771-9995/006-607	1
7 m	771-9995/006-703	771-9995/006-705	771-9995/006-707	1
8 m	771-9995/006-803	771-9995/006-805	771-9995/006-807	1



Total length	Connector color/Strain relief color			PU
	gray/black	light green/black	pink/black	
1 m	771-9995/106-103	771-9995/106-105	771-9995/106-107	1
2 m	771-9995/106-203	771-9995/106-205	771-9995/106-207	1
3 m	771-9995/106-303	771-9995/106-305	771-9995/106-307	1
4 m	771-9995/106-403	771-9995/106-405	771-9995/106-407	1
5 m	771-9995/106-503	771-9995/106-505	771-9995/106-507	1
6 m	771-9995/106-603	771-9995/106-605	771-9995/106-607	1
7 m	771-9995/106-703	771-9995/106-705	771-9995/106-707	1
8 m	771-9995/106-803	771-9995/106-805	771-9995/106-807	1



Total length	Connector color/Strain relief color			PU
	gray/black	light green/black	pink/black	
1 m	771-9995/206-103	771-9995/206-105	771-9995/206-107	1
2 m	771-9995/206-203	771-9995/206-205	771-9995/206-207	1
3 m	771-9995/206-303	771-9995/206-305	771-9995/206-307	1
4 m	771-9995/206-403	771-9995/206-405	771-9995/206-407	1
5 m	771-9995/206-503	771-9995/206-505	771-9995/206-507	1
6 m	771-9995/206-603	771-9995/206-605	771-9995/206-607	1
7 m	771-9995/206-703	771-9995/206-705	771-9995/206-707	1
8 m	771-9995/206-803	771-9995/206-805	771-9995/206-807	1

Accessories; for all products on this page



Locking lever, for flying leads; manually operated		
Color	Item No.	PU (SPU)
● black	770-101	100 (25)
○ white	770-121	100 (25)

Locking lever, for flying leads; tool operated		
Color	Item No.	PU (SPU)
● black	770-111	100 (25)
○ white	770-131	100 (25)

PU = Packaging Unit; SPU = Subpackaging Unit; Dimensions in mm

Other variants can be requested via the WAGO sales department or, if necessary, configured at <https://configurator.wago.com/>:

- Other pole markings







WAGO Pluggable Connection System *WINSTA*[®] – Specialty Cable Assemblies

WAGO Pluggable Connection System WINSTA®

Specialty Cable Assemblies ▶ 771 Series

2.5 mm² / 20 A

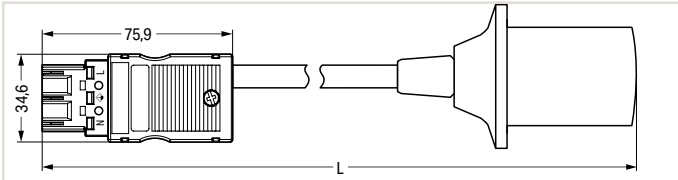
		Page
	771 Series	
	Plug – Lamp Socket	374
	Plug – Cold Equipment Socket	374
	Socket – SCHUKO® Plug	375
	Plug – SCHUKO® Socket	375
	771 Series	
	Connecting Cable for Distribution Connectors Y-Cable	376 377
	771 Series Adapter Cable for DALI	378
	771 Series Y-Cable for DALI	379

Cable Assembly ▶ WINSTA® MIDI ▶ 771 Series

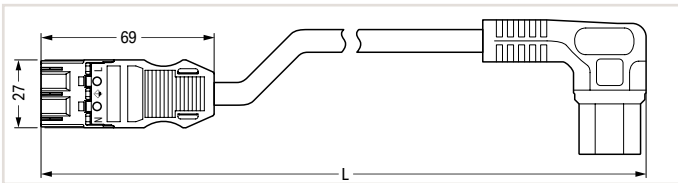
No. of poles: 3 ▶ A-coding ▶ PVC ▶ Reaction to fire class per EN 50575: E_{ca}



Adapter cable ▶ plug – E 27 lamp socket ▶ 0.75 mm ²			
Length	Connector color/Strain relief color		PU
	black/black		
0.5 m	771-8993/1004-051		1



Interconnecting cable ▶ plug – cold equipment socket ▶ angled ▶ 1 mm ²			
Length	Connector color/Strain relief color		PU
	black/black	white/white	
1 m	771-9993/805-101	771-9993/805-102	1
2 m	771-9993/805-201	771-9993/805-202	1
3 m	771-9993/805-301	771-9993/805-302	1



5

Coding Page 486

Marking Page 511

Additional information, see "Technical Section"

Approvals and corresponding ratings, visit www.wago.com

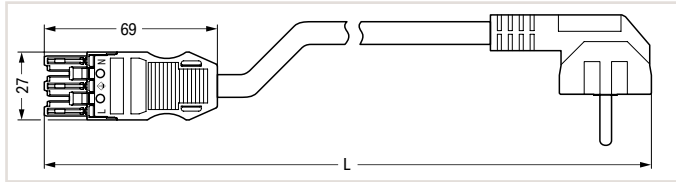
PU = Packaging Unit; SPU = Subpackaging Unit; Dimensions in mm

Cable Assembly ▶ WINSTA® MIDI ▶ 771 Series

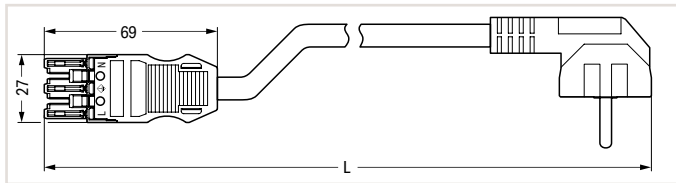
No. of poles: 3 ▶ A-coding ▶ PVC ▶ Reaction to fire class per EN 50575: E_{ca}



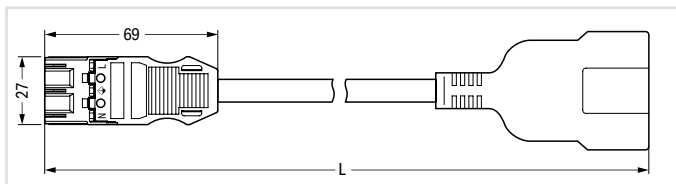
Interconnecting cable ▶ socket – SCHUKO® plug ▶ angled ▶ 1.5 mm ²			
Length	Connector color/Strain relief color		PU
	black/black	white/white	
1 m	771-9993/306-101	771-9993/306-102	1
2 m	771-9993/306-201	771-9993/306-202	1
3 m	771-9993/306-301	771-9993/306-302	1



Interconnecting cable ▶ socket – SCHUKO® plug ▶ angled ▶ 2.5 mm ²			
Length	Connector color/Strain relief color		PU
	black/black	white/white	
1 m	771-9993/307-101	771-9993/307-102	1
2 m	771-9993/307-201	771-9993/307-202	1
3 m	771-9993/307-301	771-9993/307-302	1



Interconnecting cable ▶ plug – SCHUKO® socket ▶ 1.5 mm ²			
Length	Connector color/Strain relief color		PU
	black/black	white/white	
1 m	771-9993/406-101	771-9993/406-102	1
2 m	771-9993/406-201	771-9993/406-202	1
3 m	771-9993/406-301	771-9993/406-302	1

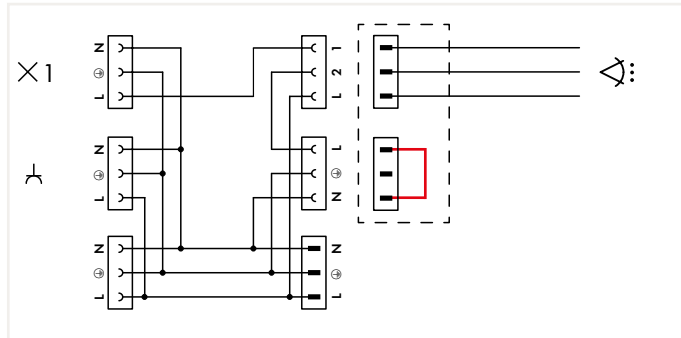
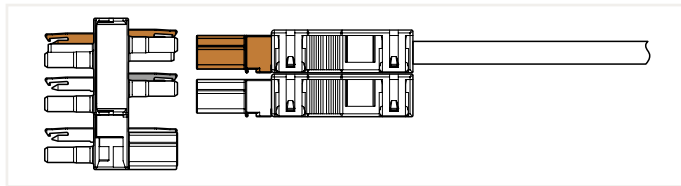
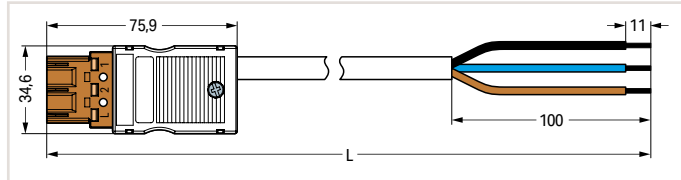


5

PU = Packaging Unit; SPU = Subpackaging Unit; Dimensions in mm

Cable Assembly ▶ WINSTA® MIDI ▶ 771 Series

No. of poles: 3 ▶ 1.5 mm² ▶ A+S-coding ▶ Reaction to fire class per EN 50575: E_{ca}



This cable combines a standard S-coded cable with an A-coded shorting plug. Both strain relief housings are locked together.
A motion detector or switch with signal lamp can be directly connected using a cable equipped with 770-637 Distribution Connector.

Connecting cable ▶ plug/plug – free end ▶ PVC			
Length	Connector color/Strain relief color		PU
		black/black	
3 m	771-5001/106-000		1
4 m	771-5001/107-000		1

Connecting cable ▶ plug/plug – free end ▶ halogen-free			
Length	Connector color/Strain relief color		PU
		black/black	
3 m	771-5001/131-000		1
4 m	771-5001/132-000		1

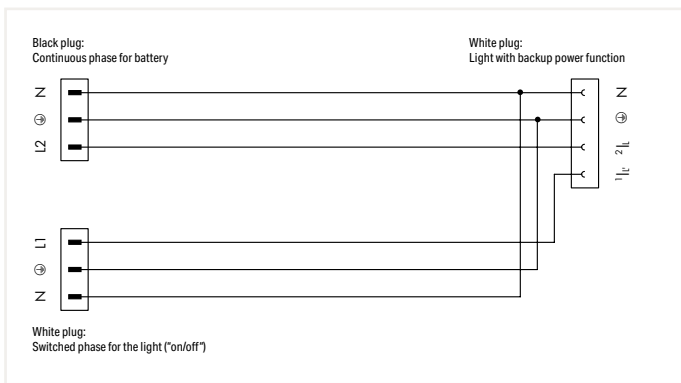
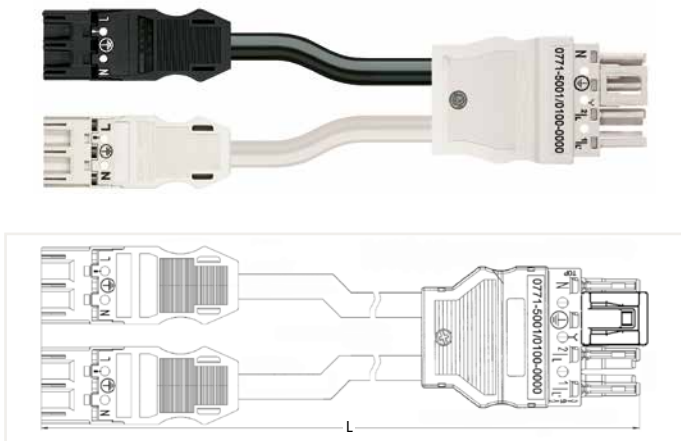
5

Coding	Page 486
Marking	Page 511
Additional information, see "Technical Section"	
Approvals and corresponding ratings, visit www.wago.com	

PU = Packaging Unit; SPU = Subpackaging Unit; Dimensions in mm

Cable Assembly ▶ WINSTA® MIDI ▶ 771 Series

No. of poles: 3 + 4 ▶ 1.5 mm² ▶ A-coding ▶ Reaction to fire class per EN 50575: E_{ca}



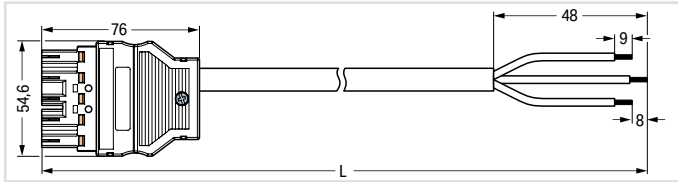
This cable connects lights with backup power function (battery pack). The black 3-pole plug connects the continuous phase for the battery, while the white 3-pole plug connects the switched phase for the light ("on/off"). The white 4-pole socket can be directly plugged into the light.

Y-cable ▶ PVC				
Length	Connector color/Strain relief color			PU
		black/black		
0.6 m	771-5001/100-000			1

Y-cable ▶ halogen-free				
Length	Connector color/Strain relief color			PU
		black/black		
0.6 m	771-5001/110-000			1

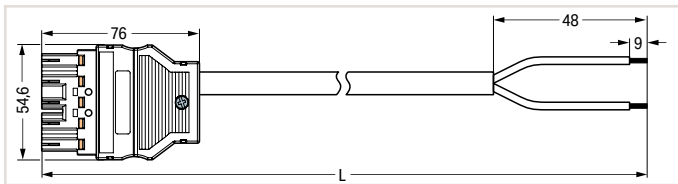
Cable Assembly ▶ WINSTA® MIDI ▶ 771 Series

No. of poles: 5 ▶ I-coding ▶ Reaction to fire class per EN 50575: E_{ca}



Adapter cable ▶ plug – free end ▶ 1.5 mm ² ▶ H05VV-F 3G1.5 ▶ PVC			
Length	Connector color/Strain relief color		PU
	blue/black		
1 m	771-5001/148-000		1
2 m	771-5001/149-000		1
3 m	771-5001/150-000		1
4 m	771-5001/151-000		1
5 m	771-5001/152-000		1
6 m	771-5001/153-000		1
7 m	771-5001/154-000		1
8 m	771-5001/155-000		1

Adapter cable ▶ plug – free end ▶ 1.5 mm ² ▶ H05Z1Z1-F 3G1.5 ▶ halogen-free			
Length	Connector color/Strain relief color		PU
	blue/black		
1 m	771-5001/156-000		1
2 m	771-5001/157-000		1
3 m	771-5001/158-000		1
4 m	771-5001/159-000		1
5 m	771-5001/160-000		1
6 m	771-5001/161-000		1
7 m	771-5001/162-000		1
8 m	771-5001/163-000		1



Adapter cable ▶ plug – free end ▶ 1.5 mm ² ▶ H05VV-F 2x1.5 ▶ PVC			
Length	Connector color/Strain relief color		PU
	blue/black		
1 m	771-5001/164-000		1
2 m	771-5001/165-000		1
3 m	771-5001/166-000		1
4 m	771-5001/167-000		1
5 m	771-5001/168-000		1
6 m	771-5001/169-000		1
7 m	771-5001/170-000		1
8 m	771-5001/171-000		1

Adapter cable ▶ plug – free end ▶ 1.5 mm ² ▶ H05Z1Z1-F 2x1.5 ▶ halogen-free			
Length	Connector color/Strain relief color		PU
	blue/black		
1 m	771-5001/172-000		1
2 m	771-5001/173-000		1
3 m	771-5001/174-000		1
4 m	771-5001/175-000		1
5 m	771-5001/176-000		1
6 m	771-5001/177-000		1
7 m	771-5001/178-000		1
8 m	771-5001/179-000		1

Coding Page 486

Marking Page 511

Additional information, see "Technical Section"

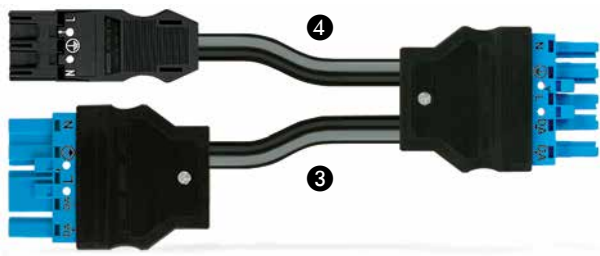
Approvals and corresponding ratings, visit www.wago.com

PU = Packaging Unit; SPU = Subpackaging Unit; Dimensions in mm

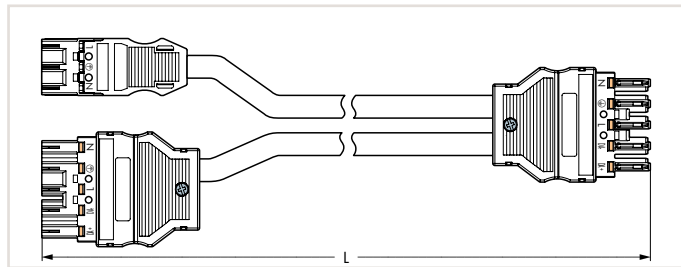
5

Cable Assembly ▶ WINSTA® MIDI ▶ 771 Series

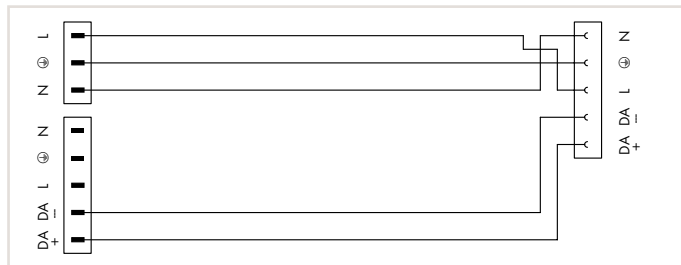
1.5 mm² ③; 2.5 mm² ④ ▶ A+I-Coding ▶ Reaction to fire class per EN 50575: E_{ca}



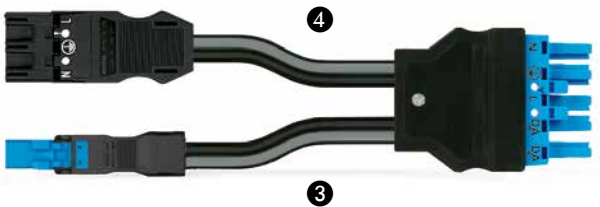
Y-cable ▶ No. of poles: 3 + 5 ▶ DALI mains center supply ▶ PVC ▶ H05VV-F 2x1.5; H05VV-F 3G2.5			
Length	Connector color/Strain relief color		PU
	black/black		
	blue/black		
0.5 m	771-5001/180-000		1



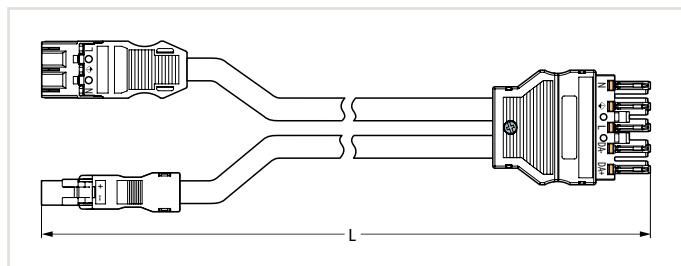
Y-cable ▶ No. of poles: 3 + 5 ▶ DALI mains center supply ▶ halogen-free ▶ H05Z1Z1-F 2x1.5; H05Z1Z1-F 3G2.5			
Length	Connector color/Strain relief color		PU
	black/black		
	blue/black		
0.5 m	771-5001/181-000		1



5



Y-cable ▶ No. of poles: 2 + 5 ▶ mains supply + DALI ▶ PVC ▶ H05VV-F 2x1.5; H05VV-F 3G2.5			
Length	Connector color/Strain relief color		PU
	black/black		
	blue/black		
0.5 m	771-5001/182-000		1



Y-cable ▶ No. of poles: 2 + 5 ▶ mains supply + DALI ▶ halogen-free ▶ H05Z1Z1-F 2x1.5; H05Z1Z1-F 3G2.5			
Length	Connector color/Strain relief color		PU
	black/black		
	blue/black		
0.5 m	771-5001/183-000		1



PU = Packaging Unit; SPU = Subpackaging Unit; Dimensions in mm



WAGO Pluggable Connection System *WINSTA*[®] MAXI

WAGO Pluggable Connection System WINSTA® MAXI ▶ 831 Series

6 mm² / 35 A

- Note:
- Installation connectors are designed for connection and disconnection while not under load.
 - There is no hazard-inducing interchangeability with systems based on IEC 60309, IEC 60320, IEC 60906 and with national connector and socket systems.
 - Compliance with the standards (IEC 61535) does not guarantee hazard-preventing, non-interchangeability with installation connector systems from various manufacturers.
 - Installation connector systems are not a substitute for residential connector/socket systems.
 - WINSTA® MAXI Connectors are not intended for installation in open or easily accessible areas.

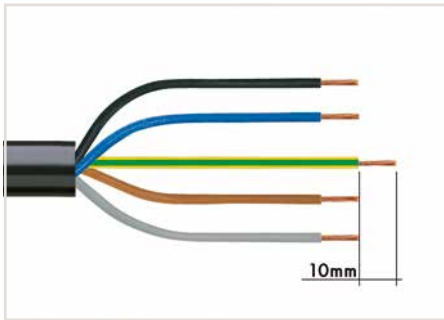


Pluggable Connectors; 831 Series
5-pole

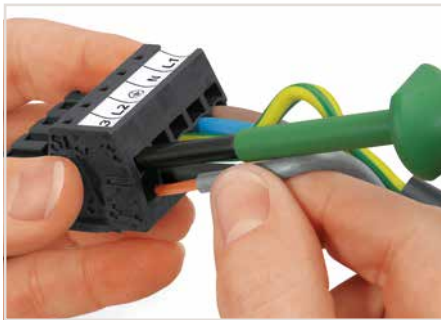
Page

384

WINSTA® MINI ▶ 890, 891 Series Description and Installation



The following lengths are recommended:
 1. Strip length, outer insulation = 80 mm
 2. Strip length = 13 mm
 3. Extended ground conductor = 10 mm



To terminate fine-stranded conductors, open the clamping unit via screwdriver (5.5 mm blade width) and insert a stripped conductor until it hits backstop.



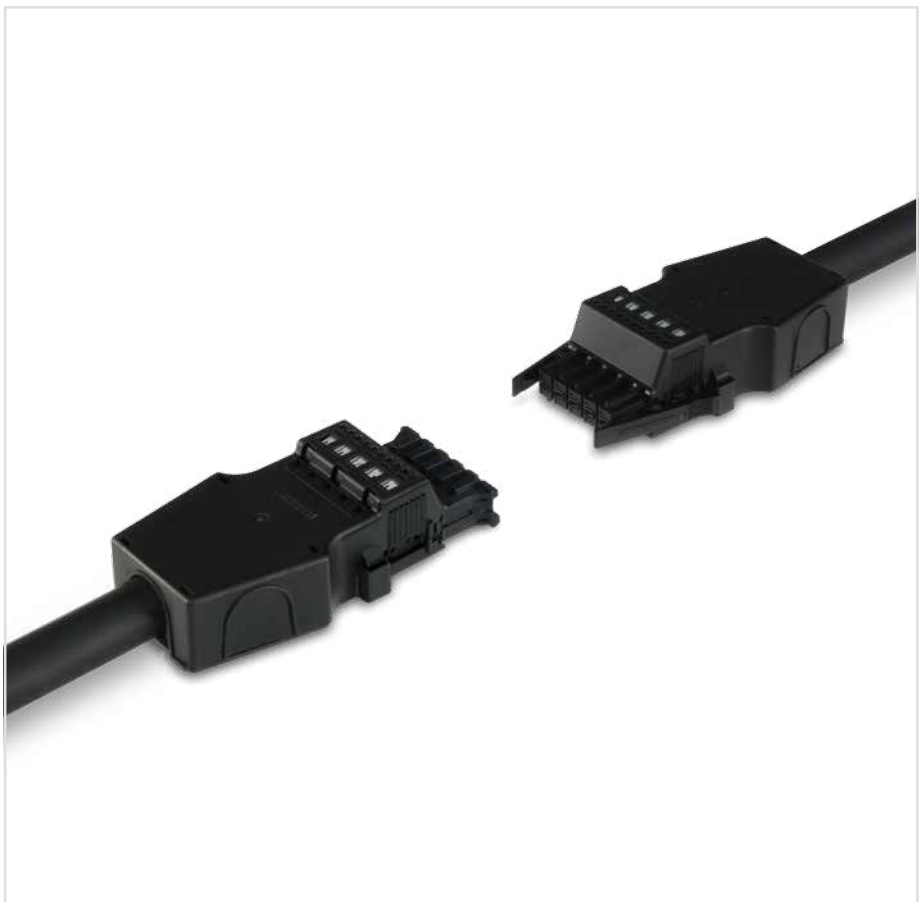
The printed marking of the connector is clearly visible in the openings of the strain relief housing.



Unscrew base of strain relief housing.



Snap wired connector onto the base.



Tighten strain relief using a screwdriver.



Wired connector fitted in base of strain relief housing.



Latch the top of the strain relief housing.

6

6

Pluggable Connector ▶ WINSTA® MAXI ▶ 831 Series

No. of poles: 5



- Protected against mismatching and maintenance-free
- Push-in CAGE CLAMP® spring pressure connection technology allows solid conductors to be simply pushed into a unit
- Minimize voltage drop over longer cable runs

Electrical Data

Ratings per	IEC/EN 60664-1		
Overvoltage category	III	III	II
Pollution degree	3	2	2
Rated voltage	400 V	-	-
Rated impulse voltage	6 kV	-	-
Rated current	35 A	-	-

Connection Data

Connection technology	Push-in CAGE CLAMP®
Strip length	13 mm / 0.51 Inch
Nominal cross section	6 mm ²
Solid conductor	0.5 ... 6 mm ² / 20 ... 8 AWG
Stranded conductor	0.5 ... 4 mm ² / 20 ... 12 AWG
Fine-stranded conductor	0.5 ... 6 mm ² / 20 ... 8 AWG

Material Data

Insulating material	Polyamide 66 (PA 66)
Flammability class per UL94	V0
Clamping spring material	Chrome nickel spring steel (CrNi)
Contact material	Copper or copper alloy, surface-treated

Mechanical Data

Mating force of a plug-in connection	approx. 30–70N (depending on number of poles)
Unmating force of a plug-in connection	when unlocked: approx. 30–70N (depending on number of poles)
Retention force of a plug-in connection	When locked: > 80 N
Protection class	IP20
Note on protection class	Only in mated condition with strain relief housing (These compact connectors are not designed for use in open, easily accessible areas.)
Mismatching protection	All WINSTA® components are 100 % protected against mismatching in terms of: <ul style="list-style-type: none"> • Plugging a different number of poles • Plugging when rotated by 180° • Plugging when laterally staggered • Plugging one pole

Environmental Requirements

Processing temperature	-5 ... +40 °C
Continuous operating temperature	-35 ... +85 °C
Note on continuous service temperature	Insulating parts for temperatures ≤ 105 °C

All connectors for mounted installations (snap-in versions for lighting fixtures or devices, all types of PCB and distribution connectors) are factory-equipped with locking levers to ensure plugs and sockets are securely locked. Additional locking levers are only required for flying leads (plug/socket).

Tools Page 506

Additional information, see "Technical Section"

Approvals and corresponding ratings, visit www.wago.com

Pluggable Connector ▶ WINSTA® MAXI ▶ 831 Series

No. of poles: 5

Female connector/socket

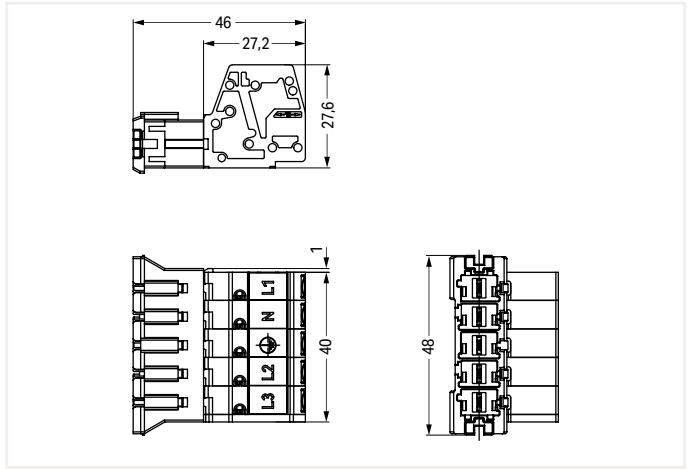
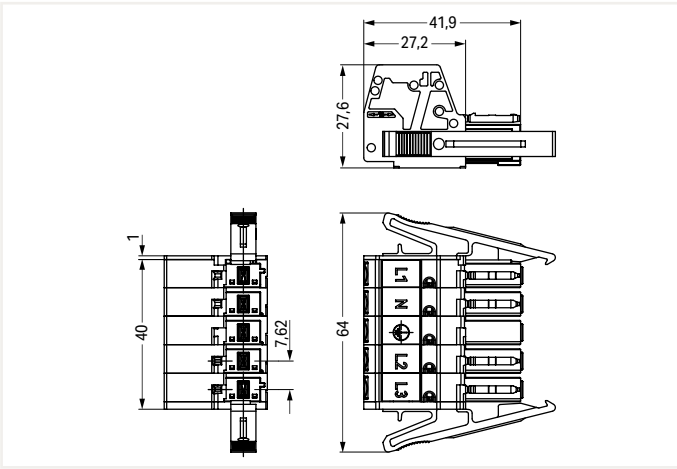


Male connector/plug



Color	Coding	Marking	Item No.	PU
● black	A	L1 N ⊕ L2 L3	831-3105/1019-004	5
○ white	A	L1 N ⊕ L2 L3	831-3105/1019-050	5

Color	Coding	Marking	Item No.	PU
● black	A	L1 N ⊕ L2 L3	831-3205/1020-004	5
○ white	A	L1 N ⊕ L2 L3	831-3205/1020-050	5



6

PU = Packaging Unit; SPU = Subpackaging Unit; Dimensions in mm





WAGO Pluggable Connection System
WINSTA® RD

WAGO Pluggable Connection System WINSTA® RD ▶ 774 Series

2.5 mm² / 20 A

- Note:**
- Installation connectors are designed for connection and disconnection while not under load.
 - There is no hazard-inducing interchangeability with systems based on IEC 60309, IEC 60320, IEC 60906 and with national connector and socket systems.
 - Compliance with the standards (IEC 61535) does not guarantee hazard-preventing, non-interchangeability with installation connector systems from various manufacturers.
 - Installation connector systems are not a substitute for residential connector/socket systems.
 - WINSTA® RD Connectors are not intended for installation in open or easily accessible areas.

	Page
	Cable Assemblies; 774 Series
	3 x 1.5 mm ² 388
	3 x 2.5 mm ² 393
	4 x 1.5 mm ² 398
	Plug Adapters for Attema's Hollow-Wall Boxes; 774 Series
	3-pole 396

Cable Assembly ▶ WINSTA® RD ▶ 774 Series

No. of poles: 3 ▶ Protection class: IP20



- For round conduits and ducts
- 3- and 4-pole preassembled cables with 17.5 mm outer diameter for easy plug & play
- Plug-in integration into the electrical installation of hollow-wall boxes via adapter, for example

Electrical Data

Cross section of single conductor	1.5 mm ²			2.5 mm ²		
	IEC/EN 60664-1					
Ratings per	IEC/EN 60664-1			IEC/EN 60664-1		
Overvoltage category	III	III	II	III	III	II
Pollution degree	3	2	2	3	2	2
Rated voltage	250 V	-	-	250 V	-	-
Rated impulse voltage	4 kV	-	-	4 kV	-	-
Rated current	16 A	-	-	20 A	-	-

Material Data

Insulating material	Polyamide 66 (PA 66)
Flammability class per UL94	V0
Contact material	Copper or copper alloy, surface-treated
Reaction to fire class per EN 50575	E _{ca}

Mechanical Data

Mating force of a plug-in connection	approx. 30 ... 70 N (depending on pole number)
Unmating force of a plug-in connection	when unlocked: approx. 30 ... 70 N (depending on pole number)
Retention force of a plug-in connection	when locked: > 80N
Protection class	IP20
Note on protection class	Only in mated condition with strain relief housing (These compact connectors are not designed for use in open, easily accessible areas.)
Mismating protection	All WINSTA® components are 100 % protected against mismating in terms of: <ul style="list-style-type: none"> • Plugging a different number of poles • Plugging when rotated • Plugging when laterally staggered

Environmental Requirements

Processing temperature	-5 ... +40 °C
Continuous operating temperature	-35 ... +85 °C
Note on continuous service temperature	PVC cable for temperatures ≤ 70 °C (including halogen-free) Insulating parts for temperatures ≤ 105 °C

Cables with different fire load are available in the eShop

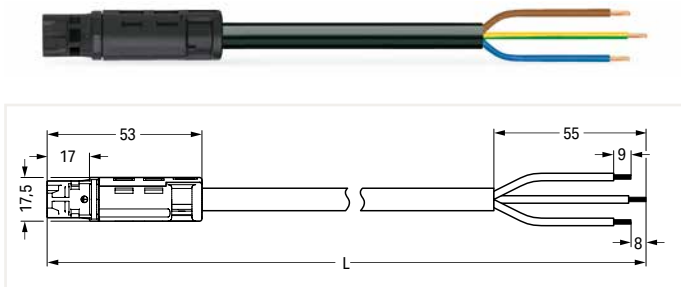
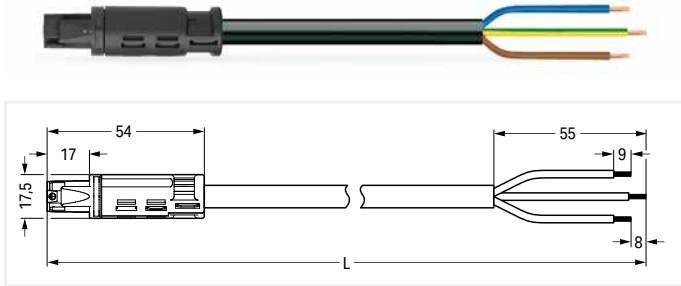
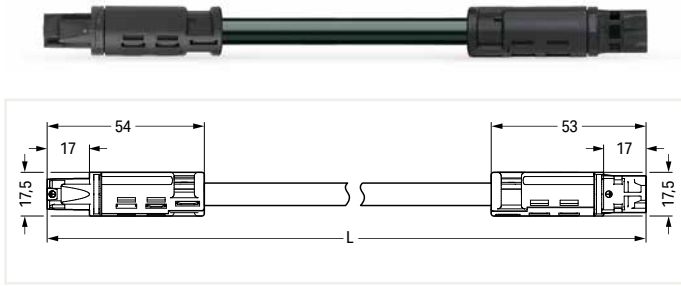
Coding Page 486

Additional information, see "Technical Section"

Approvals and corresponding ratings,
visit www.wago.com

Cable Assembly ▶ WINSTA® RD ▶ 774 Series

No. of poles: 3 ▶ Protection class: IP20 ▶ 1.5 mm² ▶ Coding: A ▶ Marking: L ⊕ N ▶ PVC ▶ Cable diameter: 7.4 ... 9.4 mm ▶ H05VV-F 3G1.5



Total length	Connector color/Strain relief color		PU
	black/black	white/white	
1 m	774-9993/006-101	774-9993/006-102	1
2 m	774-9993/006-201	774-9993/006-202	1
3 m	774-9993/006-301	774-9993/006-302	1
4 m	774-9993/006-401	774-9993/006-402	1
5 m	774-9993/006-501	774-9993/006-502	1
6 m	774-9993/006-601	774-9993/006-602	1
7 m	774-9993/006-701	774-9993/006-702	1
8 m	774-9993/006-801	774-9993/006-802	1

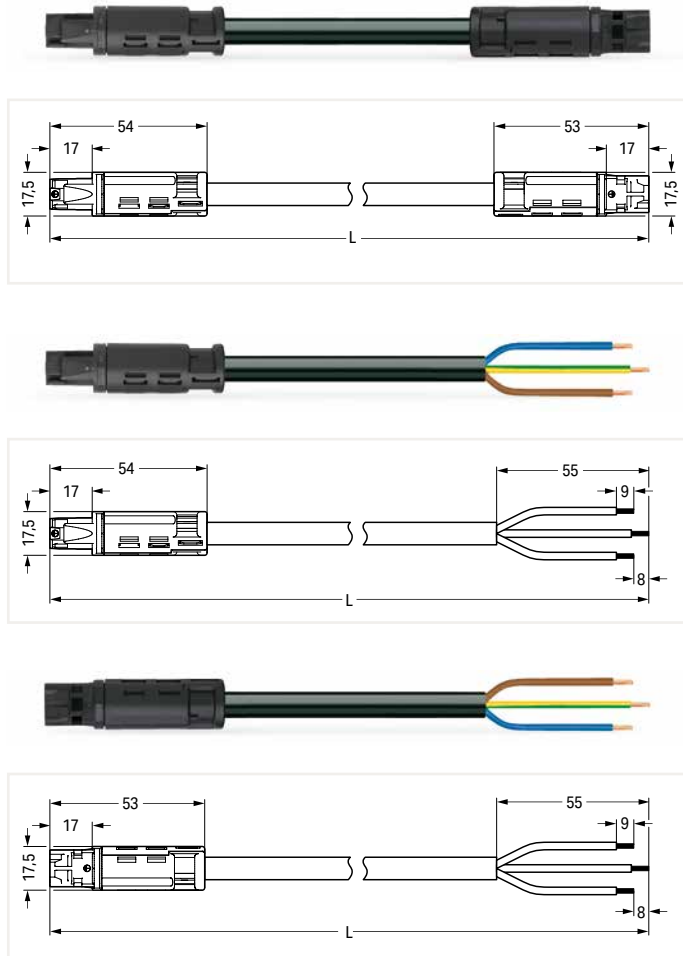
Total length	Connector color/Strain relief color		PU
	black/black	white/white	
1 m	774-9993/106-101	774-9993/106-102	1
2 m	774-9993/106-201	774-9993/106-202	1
3 m	774-9993/106-301	774-9993/106-302	1
4 m	774-9993/106-401	774-9993/106-402	1
5 m	774-9993/106-501	774-9993/106-502	1
6 m	774-9993/106-601	774-9993/106-602	1
7 m	774-9993/106-701	774-9993/106-702	1
8 m	774-9993/106-801	774-9993/106-802	1

Total length	Connector color/Strain relief color		PU
	black/black	white/white	
1 m	774-9993/206-101	774-9993/206-102	1
2 m	774-9993/206-201	774-9993/206-202	1
3 m	774-9993/206-301	774-9993/206-302	1
4 m	774-9993/206-401	774-9993/206-402	1
5 m	774-9993/206-501	774-9993/206-502	1
6 m	774-9993/206-601	774-9993/206-602	1
7 m	774-9993/206-701	774-9993/206-702	1
8 m	774-9993/206-801	774-9993/206-802	1

PU = Packaging Unit; SPU = Subpackaging Unit; Dimensions in mm

Cable Assembly ▶ WINSTA® RD ▶ 774 Series

No. of poles: 3 ▶ Protection class: IP20 ▶ 1.5 mm² ▶ Coding: A ▶ Marking: L ⊕ N ▶ Halogen-free ▶ Cable diameter: 7.4 ... 9.4 mm ▶ H05Z1Z1-F 3G1.5



Total length	Connector color/Strain relief color		PU
	black/black	white/white	
1 m	774-9993/016-101	774-9993/016-102	1
2 m	774-9993/016-201	774-9993/016-202	1
3 m	774-9993/016-301	774-9993/016-302	1
4 m	774-9993/016-401	774-9993/016-402	1
5 m	774-9993/016-501	774-9993/016-502	1
6 m	774-9993/016-601	774-9993/016-602	1
7 m	774-9993/016-701	774-9993/016-702	1
8 m	774-9993/016-801	774-9993/016-802	1

Total length	Connector color/Strain relief color		PU
	black/black	white/white	
1 m	774-9993/116-101	774-9993/116-102	1
2 m	774-9993/116-201	774-9993/116-202	1
3 m	774-9993/116-301	774-9993/116-302	1
4 m	774-9993/116-401	774-9993/116-402	1
5 m	774-9993/116-501	774-9993/116-502	1
6 m	774-9993/116-601	774-9993/116-602	1
7 m	774-9993/116-701	774-9993/116-702	1
8 m	774-9993/116-801	774-9993/116-802	1

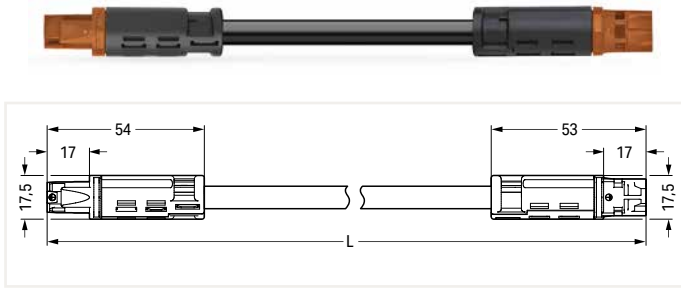
Total length	Connector color/Strain relief color		PU
	black/black	white/white	
1 m	774-9993/216-101	774-9993/216-102	1
2 m	774-9993/216-201	774-9993/216-202	1
3 m	774-9993/216-301	774-9993/216-302	1
4 m	774-9993/216-401	774-9993/216-402	1
5 m	774-9993/216-501	774-9993/216-502	1
6 m	774-9993/216-601	774-9993/216-602	1
7 m	774-9993/216-701	774-9993/216-702	1
8 m	774-9993/216-801	774-9993/216-802	1

7

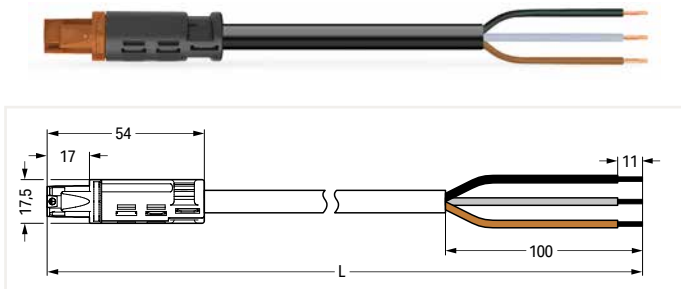
PU = Packaging Unit; SPU = Subpackaging Unit; Dimensions in mm

Cable Assembly ▶ WINSTA® RD ▶ 774 Series

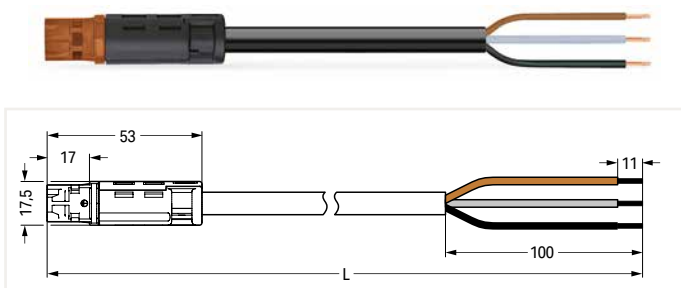
No. of poles: 3 ▶ Protection class: IP20 ▶ 1.5 mm² ▶ Coding: S ▶ Marking: 1 2 L ▶ PVC ▶ Cable diameter: 7.4 ... 9.4 mm ▶ H05VV-F 3x1.5



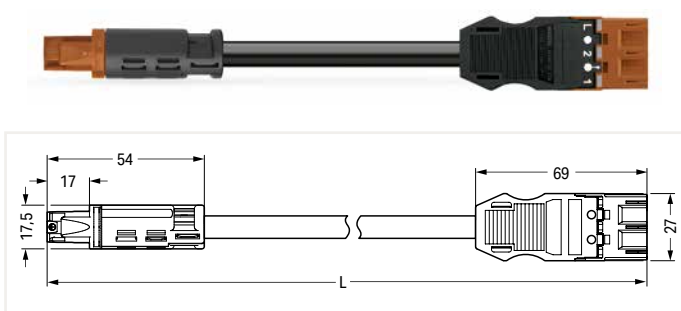
Interconnecting cable ▶ Socket - Plug				
Total length	Connector color/Strain relief color			PU
	brown/black			
1 m	774-9973/006-105			1
2 m	774-9973/006-205			1
3 m	774-9973/006-305			1
4 m	774-9973/006-405			1
5 m	774-9973/006-505			1
6 m	774-9973/006-605			1
7 m	774-9973/006-705			1
8 m	774-9973/006-805			1



Connecting cable ▶ Socket - Free end				
Total length	Connector color/Strain relief color			PU
	brown/black			
1 m	774-9973/106-105			1
2 m	774-9973/106-205			1
3 m	774-9973/106-305			1
4 m	774-9973/106-405			1
5 m	774-9973/106-505			1
6 m	774-9973/106-605			1
7 m	774-9973/106-705			1
8 m	774-9973/106-805			1



Connecting cable ▶ Plug - Free end				
Total length	Connector color/Strain relief color			PU
	brown/black			
1 m	774-9973/206-105			1
2 m	774-9973/206-205			1
3 m	774-9973/206-305			1
4 m	774-9973/206-405			1
5 m	774-9973/206-505			1
6 m	774-9973/206-605			1
7 m	774-9973/206-705			1
8 m	774-9973/206-805			1



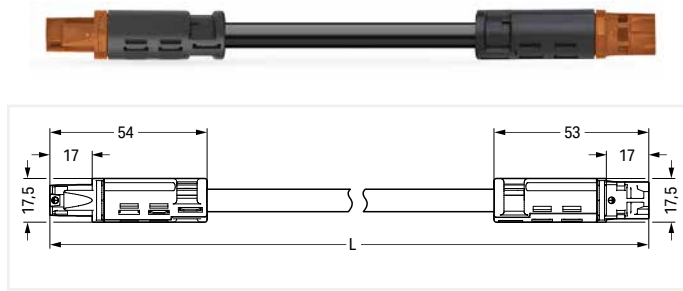
Adapter cable ▶ Socket (RD) - Plug (MIDI)				
Total length	Connector color/Strain relief color			PU
	brown/black			
1 m	774-9973/1506-105			1
2 m	774-9973/1506-205			1
3 m	774-9973/1506-305			1
4 m	774-9973/1506-405			1
5 m	774-9973/1506-505			1
6 m	774-9973/1506-605			1
7 m	774-9973/1506-705			1
8 m	774-9973/1506-805			1

7

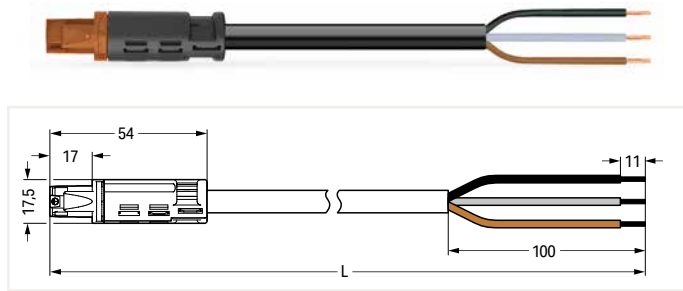
PU = Packaging Unit; SPU = Subpackaging Unit; Dimensions in mm

Cable Assembly ▶ WINSTA® RD ▶ 774 Series

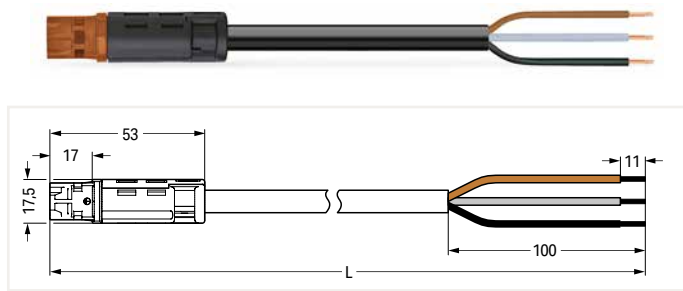
No. of poles: 3 ▶ Protection class: IP20 ▶ 1.5 mm² ▶ Coding: S ▶ Marking: 1 2 L ▶ Halogen-free ▶ Cable diameter: 7.4 ... 9.4 mm ▶ H05Z1Z1-F 3x1.5



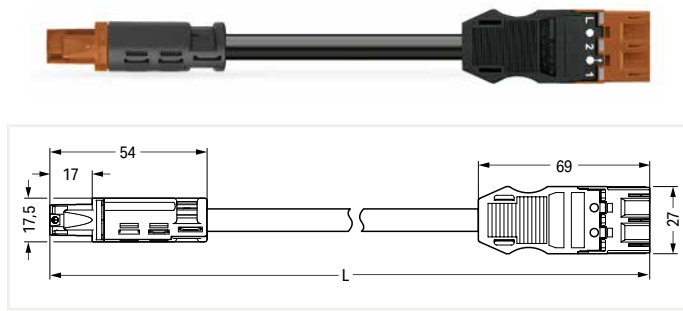
Interconnecting cable ▶ Socket - Plug				
Total length	Connector color/Strain relief color			PU
	brown/black			
1 m	774-9973/016-105			1
2 m	774-9973/016-205			1
3 m	774-9973/016-305			1
4 m	774-9973/016-405			1
5 m	774-9973/016-505			1
6 m	774-9973/016-605			1
7 m	774-9973/016-705			1
8 m	774-9973/016-805			1



Connecting cable ▶ Socket - Free end				
Total length	Connector color/Strain relief color			PU
	brown/black			
1 m	774-9973/116-105			1
2 m	774-9973/116-205			1
3 m	774-9973/116-305			1
4 m	774-9973/116-405			1
5 m	774-9973/116-505			1
6 m	774-9973/116-605			1
7 m	774-9973/116-705			1
8 m	774-9973/116-805			1



Connecting cable ▶ Plug - Free end				
Total length	Connector color/Strain relief color			PU
	brown/black			
1 m	774-9973/216-105			1
2 m	774-9973/216-205			1
3 m	774-9973/216-305			1
4 m	774-9973/216-405			1
5 m	774-9973/216-505			1
6 m	774-9973/216-605			1
7 m	774-9973/216-705			1
8 m	774-9973/216-805			1

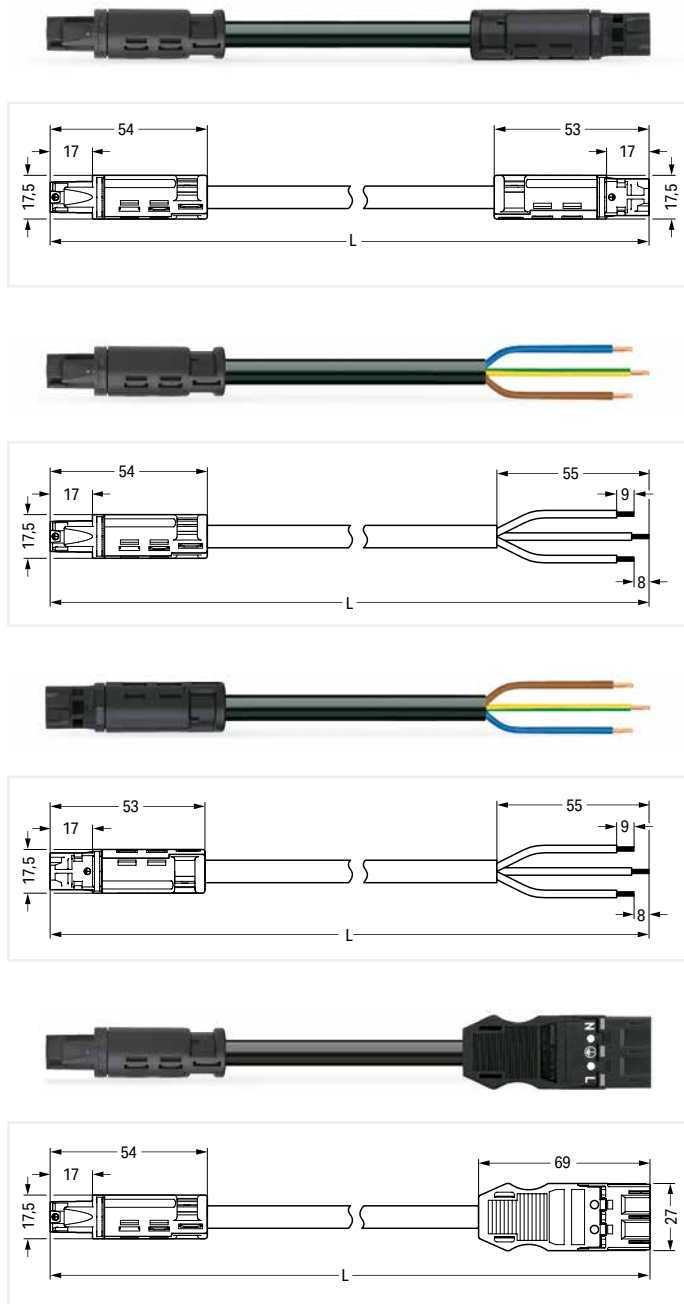


Adapter cable ▶ Socket (RD) - Plug (MIDI)				
Total length	Connector color/Strain relief color			PU
	brown/black			
1 m	774-9973/1516-105			1
2 m	774-9973/1516-205			1
3 m	774-9973/1516-305			1
4 m	774-9973/1516-405			1
5 m	774-9973/1516-505			1
6 m	774-9973/1516-605			1
7 m	774-9973/1516-705			1
8 m	774-9973/1516-805			1

PU = Packaging Unit; SPU = Subpackaging Unit; Dimensions in mm

Cable Assembly ▶ WINSTA® RD ▶ 774 Series

No. of poles: 3 ▶ Protection class: IP20 ▶ 2.5 mm² ▶ Coding: A ▶ Marking: L ⊕ N ▶ PVC ▶ Cable diameter: 9.2 ... 11.4 mm ▶ H05VV-F 3G2.5



Interconnecting cable ▶ Socket - Plug			
Total length	Connector color/Strain relief color		PU
	black/black	white/white	
1 m	774-9993/007-101	774-9993/007-102	1
2 m	774-9993/007-201	774-9993/007-202	1
3 m	774-9993/007-301	774-9993/007-302	1
4 m	774-9993/007-401	774-9993/007-402	1
5 m	774-9993/007-501	774-9993/007-502	1
6 m	774-9993/007-601	774-9993/007-602	1
7 m	774-9993/007-701	774-9993/007-702	1
8 m	774-9993/007-801	774-9993/007-802	1

Connecting cable ▶ Socket - Free end			
Total length	Connector color/Strain relief color		PU
	black/black	white/white	
1 m	774-9993/107-101	774-9993/107-102	1
2 m	774-9993/107-201	774-9993/107-202	1
3 m	774-9993/107-301	774-9993/107-302	1
4 m	774-9993/107-401	774-9993/107-402	1
5 m	774-9993/107-501	774-9993/107-502	1
6 m	774-9993/107-601	774-9993/107-602	1
7 m	774-9993/107-701	774-9993/107-702	1
8 m	774-9993/107-801	774-9993/107-802	1

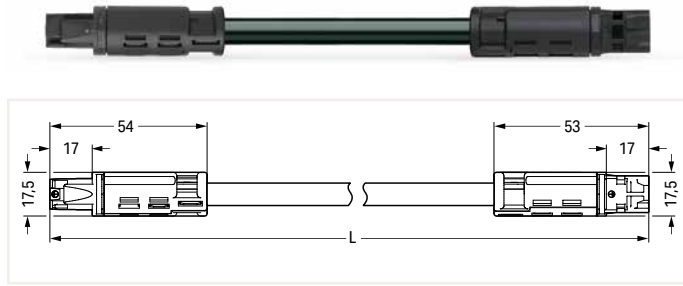
Connecting cable ▶ Plug - Free end			
Total length	Connector color/Strain relief color		PU
	black/black	white/white	
1 m	774-9993/207-101	774-9993/207-102	1
2 m	774-9993/207-201	774-9993/207-202	1
3 m	774-9993/207-301	774-9993/207-302	1
4 m	774-9993/207-401	774-9993/207-402	1
5 m	774-9993/207-501	774-9993/207-502	1
6 m	774-9993/207-601	774-9993/207-602	1
7 m	774-9993/207-701	774-9993/207-702	1
8 m	774-9993/207-801	774-9993/207-802	1

Adapter cable ▶ Socket (RD) - Plug (MIDI)			
Total length	Connector color/Strain relief color		PU
	black/black		
1 m	774-9993/1507-101		1
2 m	774-9993/1507-201		1
3 m	774-9993/1507-301		1
4 m	774-9993/1507-401		1
5 m	774-9993/1507-501		1
6 m	774-9993/1507-601		1
7 m	774-9993/1507-701		1
8 m	774-9993/1507-801		1

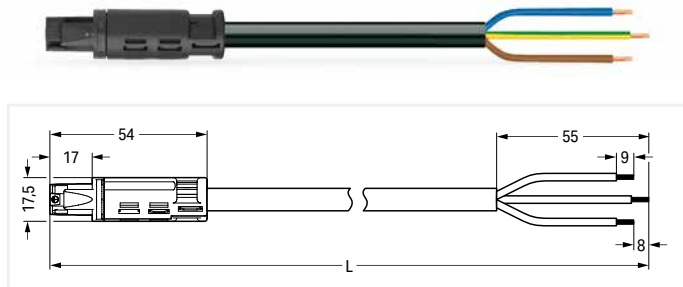
PU = Packaging Unit; SPU = Subpackaging Unit; Dimensions in mm

Cable Assembly ▶ WINSTA® RD ▶ 774 Series

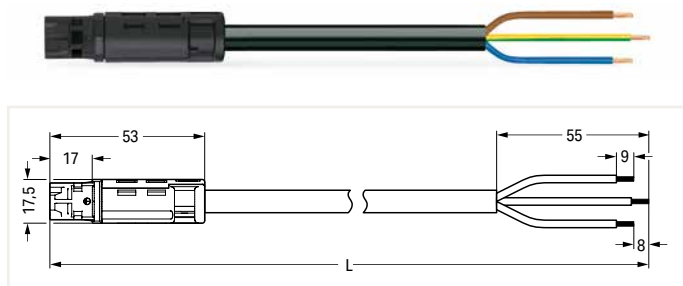
No. of poles: 3 ▶ Protection class: IP20 ▶ 2.5 mm² ▶ Coding: A ▶ Marking: L ⊕ N ▶ Halogen-free ▶ Cable diameter: 9.2 ... 11.4 mm ▶ H05Z1Z1-F 3G2.5



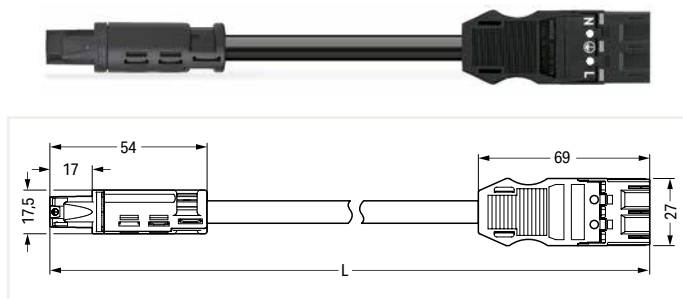
Total length	Connector color/Strain relief color		PU
	black/black	white/white	
1 m	774-9993/017-101	774-9993/017-102	1
2 m	774-9993/017-201	774-9993/017-202	1
3 m	774-9993/017-301	774-9993/017-302	1
4 m	774-9993/017-401	774-9993/017-402	1
5 m	774-9993/017-501	774-9993/017-502	1
6 m	774-9993/017-601	774-9993/017-602	1
7 m	774-9993/017-701	774-9993/017-702	1
8 m	774-9993/017-801	774-9993/017-802	1



Total length	Connector color/Strain relief color		PU
	black/black	white/white	
1 m	774-9993/117-101	774-9993/117-102	1
2 m	774-9993/117-201	774-9993/117-202	1
3 m	774-9993/117-301	774-9993/117-302	1
4 m	774-9993/117-401	774-9993/117-402	1
5 m	774-9993/117-501	774-9993/117-502	1
6 m	774-9993/117-601	774-9993/117-602	1
7 m	774-9993/117-701	774-9993/117-702	1
8 m	774-9993/117-801	774-9993/117-802	1



Total length	Connector color/Strain relief color		PU
	black/black	white/white	
1 m	774-9993/217-101	774-9993/217-102	1
2 m	774-9993/217-201	774-9993/217-202	1
3 m	774-9993/217-301	774-9993/217-302	1
4 m	774-9993/217-401	774-9993/217-402	1
5 m	774-9993/217-501	774-9993/217-502	1
6 m	774-9993/217-601	774-9993/217-602	1
7 m	774-9993/217-701	774-9993/217-702	1
8 m	774-9993/217-801	774-9993/217-802	1



Total length	Connector color/Strain relief color		PU
	black/black		
1 m	774-9993/1517-101		1
2 m	774-9993/1517-201		1
3 m	774-9993/1517-301		1
4 m	774-9993/1517-401		1
5 m	774-9993/1517-501		1
6 m	774-9993/1517-601		1
7 m	774-9993/1517-701		1
8 m	774-9993/1517-801		1

7

PU = Packaging Unit; SPU = Subpackaging Unit; Dimensions in mm

7

Pluggable Connector ▶ WINSTA® RD ▶ 774 Series

No. of poles: 3 ▶ Plug adapter - Free end ▶ 2.5 mm² ▶ for Attema's Hollow-Wall Boxes



- For round conduits and ducts
- 3- and 4-pole preassembled cables with 17.5 mm outer diameter for easy plug & play
- Plug-in integration into the electrical installation of hollow-wall boxes via adapter, for example

Electrical Data

Ratings per	IEC/EN 60664-1		
Overvoltage category	III	III	II
Pollution degree	3	2	2
Rated voltage	250 V	-	-
Rated impulse voltage	4 kV	-	-
Rated current	20 A	-	-

Connection Data

Strip length	16 mm / 0.63 Inch
--------------	-------------------

Material Data

Insulating material	Polyamide 66 (PA 66)
Flammability class per UL94	V0
Contact material	Copper or copper alloy, surface-treated
Reaction to fire class per EN 50575	E _{ca}

Mechanical Data

Mating force of a plug-in connection	approx. 30 ... 70 N (depending on pole number)
Unmating force of a plug-in connection	when unlocked: approx. 30 ... 70 N (depending on pole number)
Retention force of a plug-in connection	when locked: > 80N
Protection class	IP20
Note on protection class	Only in mated condition with strain relief housing (These compact connectors are not designed for use in open, easily accessible areas.)
Mismating protection	All WINSTA® components are 100 % protected against mismating in terms of: <ul style="list-style-type: none"> • Plugging a different number of poles • Plugging when rotated • Plugging when laterally staggered

Environmental Requirements

Processing temperature	-5 ... +40 °C
Continuous operating temperature	-35 ... +85 °C
Note on continuous service temperature	PVC cable for temperatures ≤ 70 °C (including halogen-free) Insulating parts for temperatures ≤ 105 °C

These plug adapters are designed for Attema's hollow-wall boxes. They permit complete preassembly of switches and power outlets, allowing them to be plugged on site via WINSTA® RD Connectors. This relocates the wiring of switches and outlets from the construction site to the factory, simplifying on-site installation and minimizing installation time.

Additional information, see "Technical Section"

Approvals and corresponding ratings, visit www.wago.com

Pluggable Connector ▶ WINSTA® RD ▶ 774 Series

No. of poles: 3 ▶ Plug adapter - Free end ▶ 2.5 mm² ▶ for Attema's Hollow-Wall Boxes

for power outlets

for switches



Color	Coding	Marking	Item No.	PU
● black	A		774-213/9900-000	10

Color	Coding	Marking	Item No.	PU
● brown	S		774-1373/9900-000	10



7

PU = Packaging Unit; SPU = Subpackaging Unit

Cable Assembly ▶ WINSTA® RD ▶ 774 Series

No. of poles: 4 ▶ Protection class: IP20 ▶ 1.5 mm² ▶ Coding: A ▶ Marking: N ⊕ 2 1 ▶ Cable diameter: 8.4 ... 10.5 mm



- For round conduits and ducts
- 3- and 4-pole preassembled cables with 17.5 mm outer diameter for easy plug & play
- Plug-in integration into the electrical installation of hollow-wall boxes via adapter, for example

Electrical Data

Ratings per	IEC/EN 60664-1		
Overvoltage category	III	III	II
Pollution degree	3	2	2
Rated voltage	250 V	-	-
Rated impulse voltage	4 kV	-	-
Rated current	16 A	-	-

Connection Data

Strip length	9 mm / 0.35 Inch
--------------	------------------

Material Data

Insulating material	Polyamide 66 (PA 66)
Flammability class per UL94	V0
Contact material	Copper or copper alloy, surface-treated
Reaction to fire class per EN 50575	E _{ca}

Mechanical Data

Mating force of a plug-in connection	approx. 30 ... 70 N (depending on pole number)
Unmating force of a plug-in connection	when unlocked: approx. 30 ... 70 N (depending on pole number)
Retention force of a plug-in connection	when locked: > 80N
Protection class	IP20
Note on protection class	Only in mated condition with strain relief housing (These compact connectors are not designed for use in open, easily accessible areas.)
Mismatching protection	All WINSTA® components are 100 % protected against mismatching in terms of: <ul style="list-style-type: none"> • Plugging a different number of poles • Plugging when rotated • Plugging when laterally staggered

Environmental Requirements

Processing temperature	-5 ... +40 °C
Continuous operating temperature	-35 ... +85 °C
Note on continuous service temperature	PVC cable for temperatures ≤ 70 °C (including halogen-free) Insulating parts for temperatures ≤ 105 °C

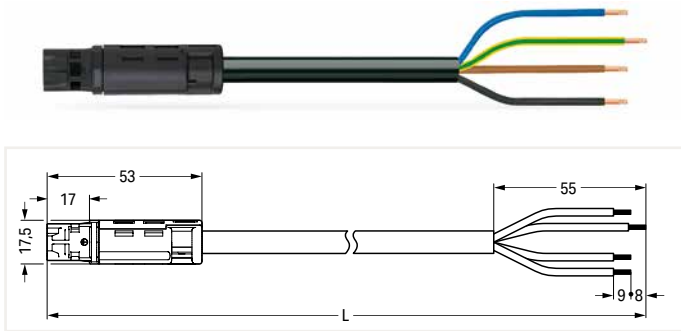
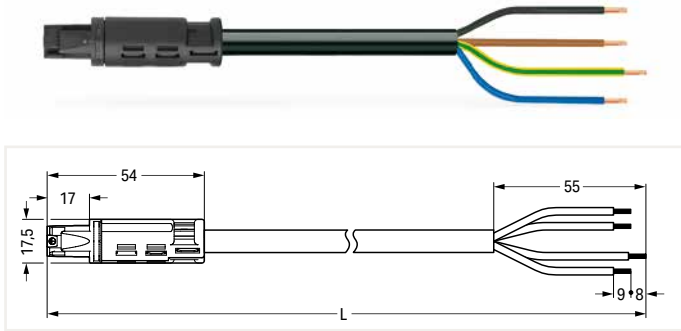
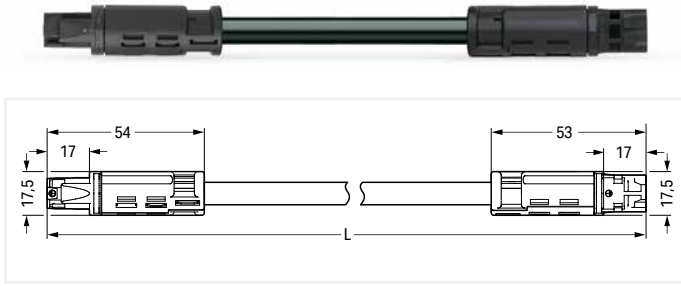
Cables with different fire load are available in the eShop

Additional information, see "Technical Section"

Approvals and corresponding ratings,
visit www.wago.com

Cable Assembly ▶ WINSTA® RD ▶ 774 Series

No. of poles: 4 ▶ Protection class: IP20 ▶ 1.5 mm² ▶ Coding: A ▶ Marking: N ⊕ 2 1 ▶ Cable diameter: 8.4 ... 10.5 mm ▶ PVC ▶ H05VV-F 4G1.5



Interconnecting cable ▶ Socket - Plug			
Total length	Connector color/Strain relief color		PU
	black/black	white/white	
1 m	774-9994/006-101	774-9994/006-102	1
2 m	774-9994/006-201	774-9994/006-202	1
3 m	774-9994/006-301	774-9994/006-302	1
4 m	774-9994/006-401	774-9994/006-402	1
5 m	774-9994/006-501	774-9994/006-502	1
6 m	774-9994/006-601	774-9994/006-602	1
7 m	774-9994/006-701	774-9994/006-702	1
8 m	774-9994/006-801	774-9994/006-802	1

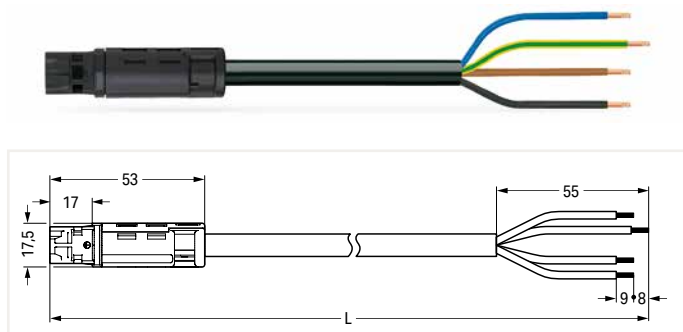
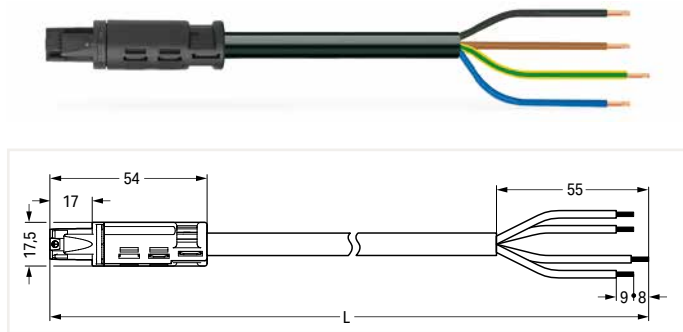
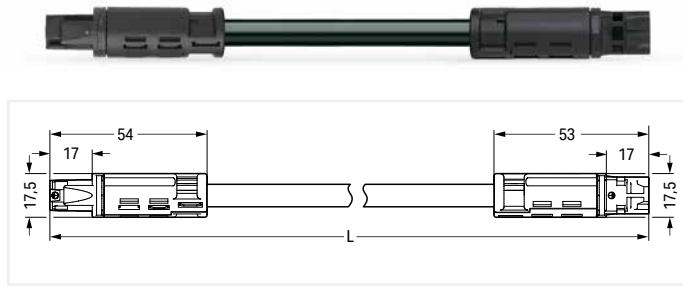
Connecting cable ▶ Socket - Free end			
Total length	Connector color/Strain relief color		PU
	black/black	white/white	
1 m	774-9994/106-101	774-9994/106-102	1
2 m	774-9994/106-201	774-9994/106-202	1
3 m	774-9994/106-301	774-9994/106-302	1
4 m	774-9994/106-401	774-9994/106-402	1
5 m	774-9994/106-501	774-9994/106-502	1
6 m	774-9994/106-601	774-9994/106-602	1
7 m	774-9994/106-701	774-9994/106-702	1
8 m	774-9994/106-801	774-9994/106-802	1

Connecting cable ▶ Plug - Free end			
Total length	Connector color/Strain relief color		PU
	black/black	white/white	
1 m	774-9994/206-101	774-9994/206-102	1
2 m	774-9994/206-201	774-9994/206-202	1
3 m	774-9994/206-301	774-9994/206-302	1
4 m	774-9994/206-401	774-9994/206-402	1
5 m	774-9994/206-501	774-9994/206-502	1
6 m	774-9994/206-601	774-9994/206-602	1
7 m	774-9994/206-701	774-9994/206-702	1
8 m	774-9994/206-801	774-9994/206-802	1

PU = Packaging Unit; SPU = Subpackaging Unit; Dimensions in mm

Cable Assembly ▶ WINSTA® RD ▶ 774 Series

No. of poles: 4 ▶ Protection class: IP20 ▶ 1.5 mm² ▶ Coding: A ▶ Marking: N ⊕ 2 1 ▶ Cable diameter: 8.4 ... 10.5 mm ▶ Halogen-free ▶ H05Z1Z1-F 4G1.5



Interconnecting cable ▶ Socket - Plug			
Total length	Connector color/Strain relief color		PU
	black/black	white/white	
1 m	774-9994/016-101	774-9994/016-102	1
2 m	774-9994/016-201	774-9994/016-202	1
3 m	774-9994/016-301	774-9994/016-302	1
4 m	774-9994/016-401	774-9994/016-402	1
5 m	774-9994/016-501	774-9994/016-502	1
6 m	774-9994/016-601	774-9994/016-602	1
7 m	774-9994/016-701	774-9994/016-702	1
8 m	774-9994/016-801	774-9994/016-802	1

Connecting cable ▶ Socket - Free end			
Total length	Connector color/Strain relief color		PU
	black/black	white/white	
1 m	774-9994/116-101	774-9994/116-102	1
2 m	774-9994/116-201	774-9994/116-202	1
3 m	774-9994/116-301	774-9994/116-302	1
4 m	774-9994/116-401	774-9994/116-402	1
5 m	774-9994/116-501	774-9994/116-502	1
6 m	774-9994/116-601	774-9994/116-602	1
7 m	774-9994/116-701	774-9994/116-702	1
8 m	774-9994/116-801	774-9994/116-802	1

Connecting cable ▶ Plug - Free end			
Total length	Connector color/Strain relief color		PU
	black/black	white/white	
1 m	774-9994/216-101	774-9994/216-102	1
2 m	774-9994/216-201	774-9994/216-202	1
3 m	774-9994/216-301	774-9994/216-302	1
4 m	774-9994/216-401	774-9994/216-402	1
5 m	774-9994/216-501	774-9994/216-502	1
6 m	774-9994/216-601	774-9994/216-602	1
7 m	774-9994/216-701	774-9994/216-702	1
8 m	774-9994/216-801	774-9994/216-802	1

7

PU = Packaging Unit; SPU = Subpackaging Unit; Dimensions in mm

7



WAGO Pluggable Connection System *WINSTA*® KNX

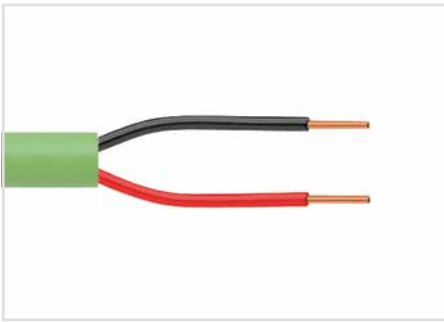
WAGO Pluggable Connection System WINSTA® KNX ▶ 893, 894 Series

Ø 0.8 mm / 3 A

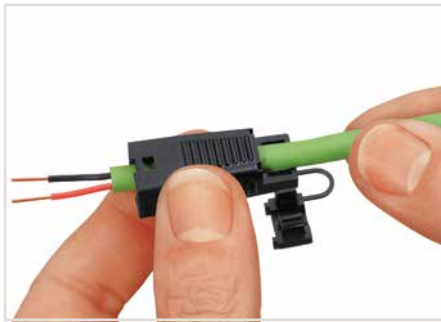
- Note:
- Installation connectors are designed for connection and disconnection while not under load.
 - There is no hazard-inducing interchangeability with systems based on IEC 60309, IEC 60320, IEC 60906 and with national connector and socket systems.
 - Installation connector systems are not a substitute for residential connector/socket systems.
 - WINSTA® KNX Connectors are not intended for installation in open or easily accessible areas.

	Page
	Pluggable Connectors; 893 Series 2-pole 406
	Snap-In Device Connectors; 893 Series 2-pole 408
	Distribution Connectors; 893 Series 2-pole 410
	Cable Assemblies; 894 Series Ø 2 x 0.8 mm 412

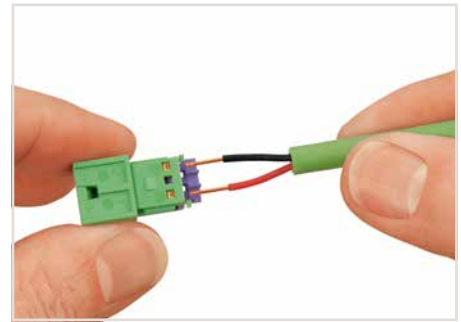
WINSTA® KNX ▶ 893, 894 Series Description and Installation



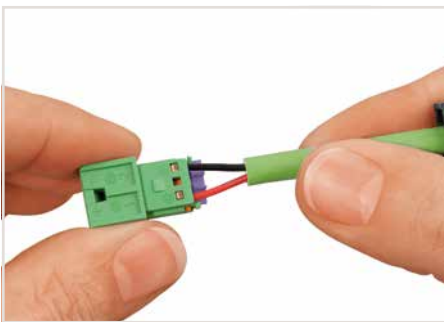
1. Strip length, outer insulation = 23 mm
2. Strip length = 9 mm



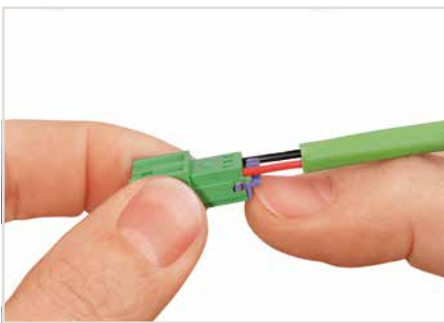
Prior to termination, pull the strain relief housing over the cable.



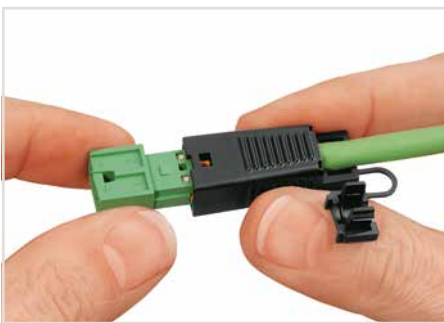
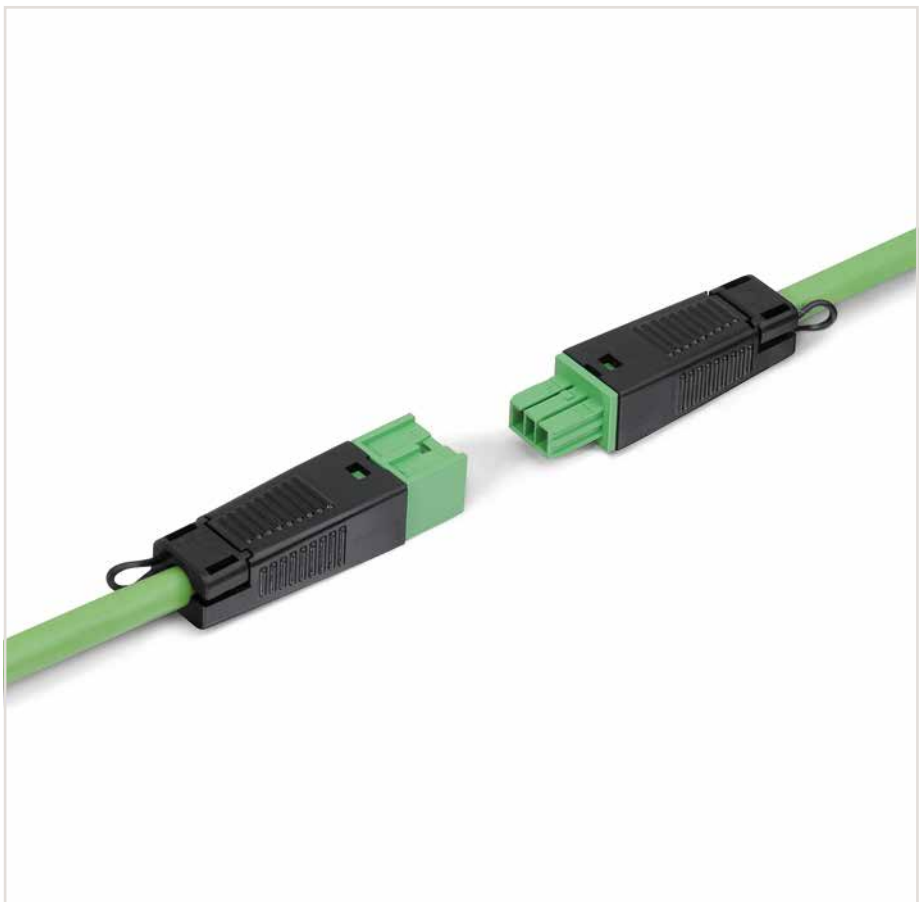
Insert stripped conductors directly into the conductor entries.



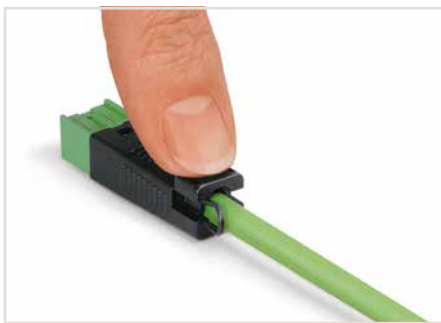
Push conductors until they hit backstop.



To disconnect, open clamping unit using the actuator and pull out the conductor.



Snap wired connector into the strain relief housing.



Press strain relief firmly on the cable.



Pre-assembled KNX connector

Pluggable Connector ▶ WINSTA® KNX ▶ 893 Series

No. of poles: 2



- For low voltages up to 50 V
- Compact size, standardized interface
- Available in two different custom coding options with mismatching protection

Electrical Data

Ratings per	IEC/EN 60664-1		
Overvoltage category	III	III	II
Pollution degree	3	2	2
Rated voltage	50 V	-	-
Rated impulse voltage	0.8 kV	-	-
Rated current	3 A	-	-

Connection Data

Connection technology	PUSH WIRE®
Strip length	9 mm / 0.35 Inch
Conductor diameter	0.8 ... 0.0 mm

Material Data

Insulating material	Polyamide 66 (PA 66)
Flammability class per UL94	V0
Contact material	Copper alloy, surface-treated
Reaction to fire class per EN 50575	E _{ca}

Mechanical Data

Mating force of a plug-in connection	approx. 10 ... 15 N
Unmating force of a plug-in connection	when unlocked: approx. 15–20N
Protection class	IP20
Note on protection class	Only in mated condition with strain relief housing (These compact connectors are not designed for use in open, easily accessible areas.)

Environmental Requirements

Processing temperature	-5 ... +40 °C
Continuous operating temperature	-35 ... +85 °C
Note on continuous service temperature	Insulating parts for temperatures ≤ 105 °C

Additional information, see "Technical Section"

Approvals and corresponding ratings, visit www.wago.com

Pluggable Connector ▶ WINSTA® KNX ▶ 893 Series

No. of poles: 2

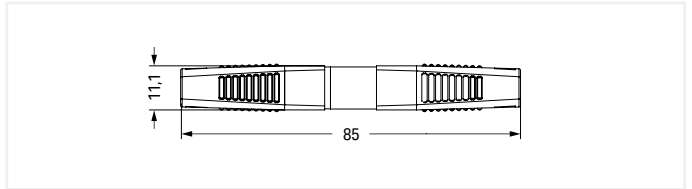
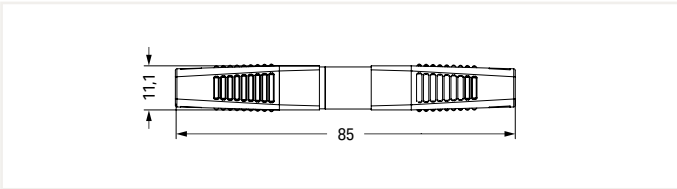
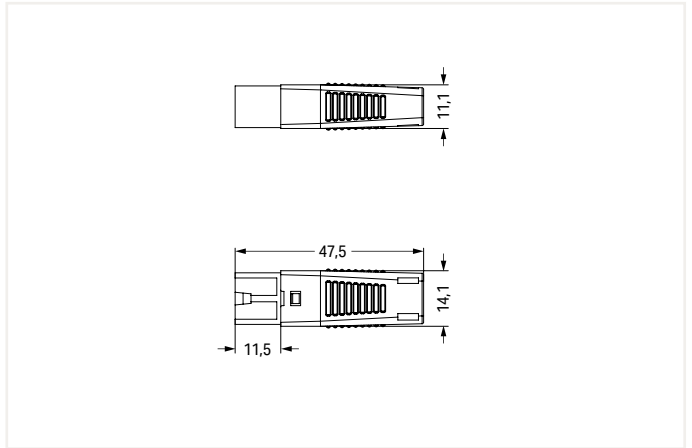
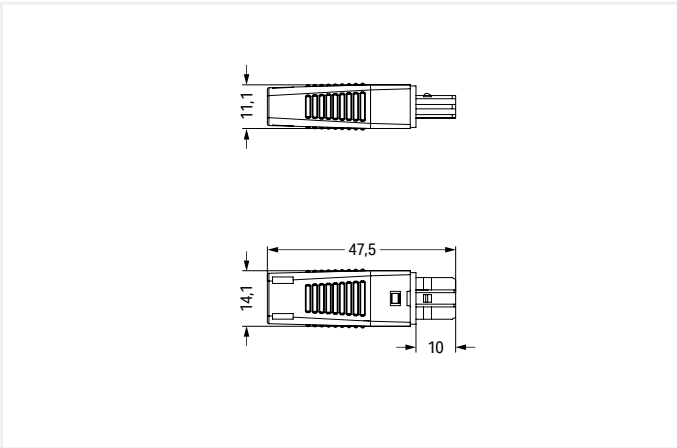
Female connector/socket

Male connector/plug



Color	Coding	Marking	Item No.	PU
● green	E	1+ 2-	893-1002	50
○ light gray	F	1+ 2-	893-1022	50

Color	Coding	Marking	Item No.	PU
● green	E	1+ 2-	893-1012	50
○ light gray	F	1+ 2-	893-1032	50



Overall length when mated

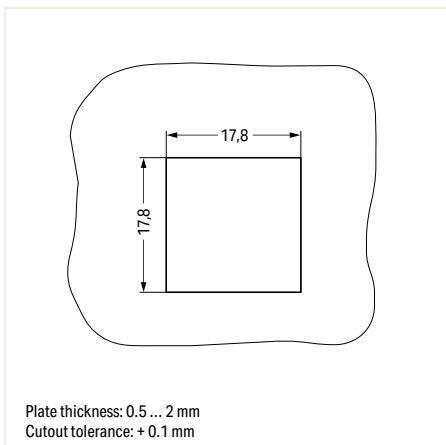
Overall length when mated

Snap-In Device Connector ▶ WINSTA® KNX ▶ 893 Series

No. of poles: 2



- For low voltages up to 50 V
- Compact size, standardized interface
- Available in two different custom coding options with mismatching protection



Electrical Data

Ratings per	IEC/EN 60664-1		
Overvoltage category	III	III	II
Pollution degree	3	2	2
Rated voltage	50 V	-	-
Rated impulse voltage	0.8 kV	-	-
Rated current	3 A	-	-

Connection Data

Connection technology	PUSH WIRE®
Strip length	9 mm / 0.35 Inch
Conductor diameter	0.8 ... 0.0 mm

Material Data

Insulating material	Polyamide 66 (PA 66)
Flammability class per UL94	V0
Contact material	Copper alloy, surface-treated
Reaction to fire class per EN 50575	E _{ca}

Mechanical Data

Mating force of a plug-in connection	approx. 10 ... 15 N
Unmating force of a plug-in connection	when unlocked: approx. 15–20N
Protection class	IP20
Note on protection class	Only in mated condition with strain relief housing (These compact connectors are not designed for use in open, easily accessible areas.)

Environmental Requirements

Processing temperature	-5 ... +40 °C
Continuous operating temperature	-35 ... +85 °C
Note on continuous service temperature	Insulating parts for temperatures ≤ 105 °C

Additional information, see "Technical Section"

Approvals and corresponding ratings,
visit www.wago.com

Snap-In Device Connector ▶ WINSTA® KNX ▶ 893 Series

No. of poles: 2

Female connector/socket

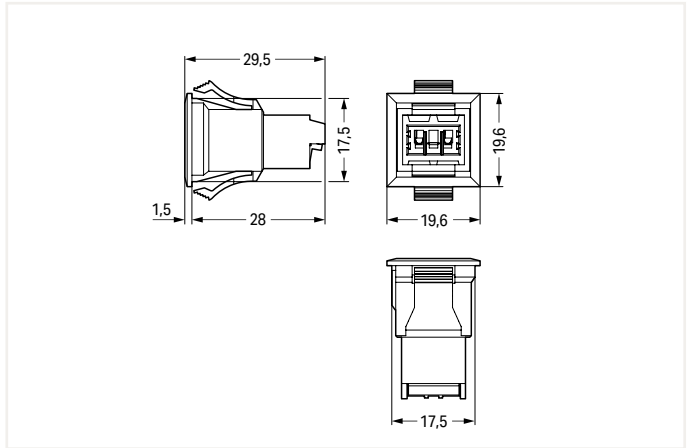
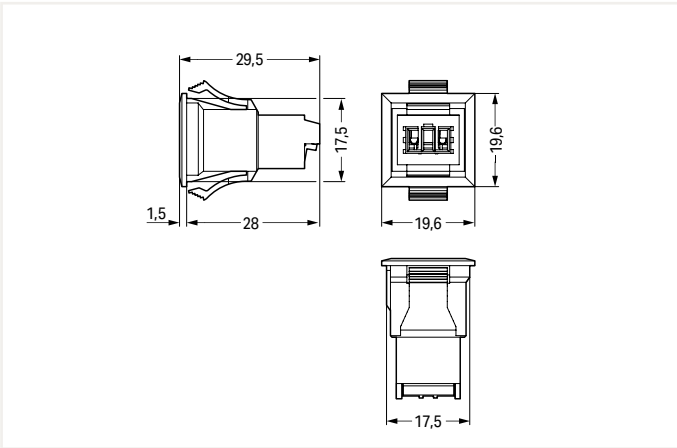


Male connector/plug



Color	Coding	Marking	Item No.	PU
● green	E	1+ 2-	893-2002	50
○ light gray	F	1+ 2-	893-2022	50

Color	Coding	Marking	Item No.	PU
● green	E	1+ 2-	893-2012	50
○ light gray	F	1+ 2-	893-2032	50



PU = Packaging Unit; SPU = Subpackaging Unit; Dimensions in mm

Distribution Connector ▶ WINSTA® KNX ▶ 893 Series

No. of poles: 2 ▶ T-distribution connector ▶ Number of locking levers: 2



- For low voltages up to 50 V
- Compact size, standardized interface
- Available in two different custom coding options with mismatching protection

Electrical Data

Ratings per	IEC/EN 60664-1		
Overvoltage category	III	III	II
Pollution degree	3	2	2
Rated voltage	50 V	-	-
Rated impulse voltage	0.8 kV	-	-
Rated current	3 A	-	-

Material Data

Insulating material	Polyamide 66 (PA 66)
Flammability class per UL94	V0
Contact material	Copper alloy, surface-treated
Reaction to fire class per EN 50575	E _{ca}

Mechanical Data

Mating force of a plug-in connection	approx. 10 ... 15 N
Unmating force of a plug-in connection	when unlocked: approx. 15–20N
Protection class	IP20
Note on protection class	Only in mated condition (These compact connectors are not designed for use in open, easily accessible areas.)

Environmental Requirements

Processing temperature	-5 ... +40 °C
Continuous operating temperature	-35 ... +85 °C
Note on continuous service temperature	Insulating parts for temperatures ≤ 105 °C

Additional information, see "Technical Section"

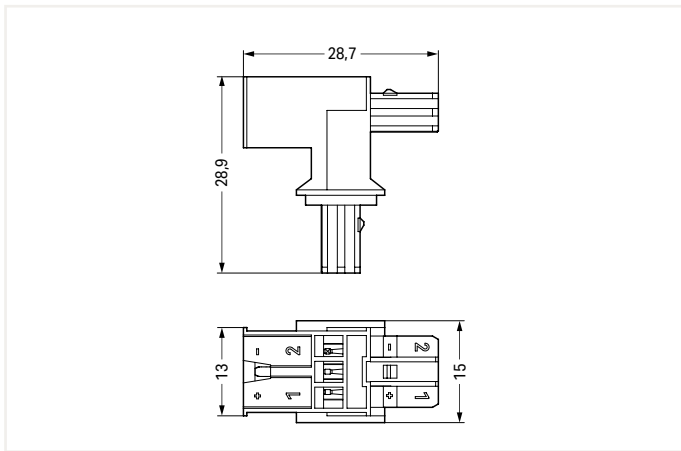
Approvals and corresponding ratings,
visit www.wago.com

Distribution Connector ▶ WINSTA® KNX ▶ 893 Series

No. of poles: 2 ▶ T-distribution connector ▶ Number of locking levers: 2



Color	Coding	Marking	Item No.	PU
● green	E	1+ 2-	893-1606	25
○ light gray	F	1+ 2-	893-1656	25



Cable Assembly ▶ WINSTA® KNX ▶ 894 Series

No. of poles: 2 ▶ Marking: 1+ 2-



- For low voltages up to 50 V
- Compact size, standardized interface
- Available in two different custom coding options with mismatching protection

Electrical Data

Ratings per	IEC/EN 60664-1		
Overvoltage category	III	III	II
Pollution degree	3	2	2
Rated voltage	50 V	-	-
Rated impulse voltage	0.8 kV	-	-
Rated current	3 A	-	-

Connection Data

Conductor diameter	0.8 mm
--------------------	--------

Material Data

Insulating material	Polyamide 66 (PA 66)
Flammability class per UL94	V0
Contact material	Copper alloy, surface-treated

Mechanical Data

Mating force of a plug-in connection	approx. 10 ... 15 N
Unmating force of a plug-in connection	when unlocked: approx. 15 ... 20 N
Protection class	IP20
Note on protection class	Only in mated condition with strain relief housing (These compact connectors are not designed for use in open, easily accessible areas.)

Environmental Requirements

Processing temperature	-5 ... +40 °C
Continuous operating temperature	-35 ... +85 °C
Note on continuous service temperature	PVC cable for temperatures ≤ 70 °C (including halogen-free) Insulating parts for temperatures ≤ 105 °C

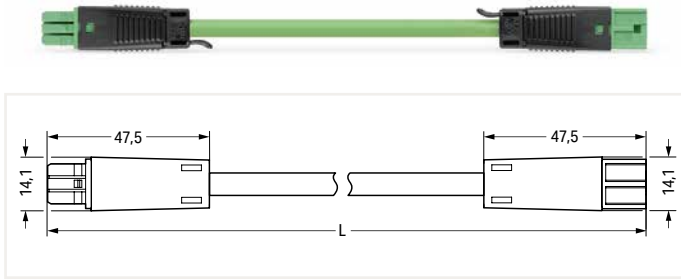
Cables with different fire load are available in the eShop

Additional information, see "Technical Section"

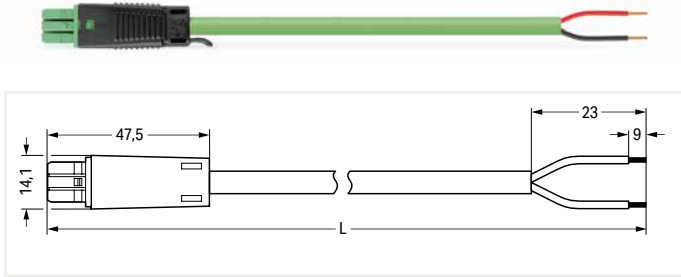
Approvals and corresponding ratings,
visit www.wago.com

Cable Assembly ▶ WINSTA® KNX ▶ 894 Series

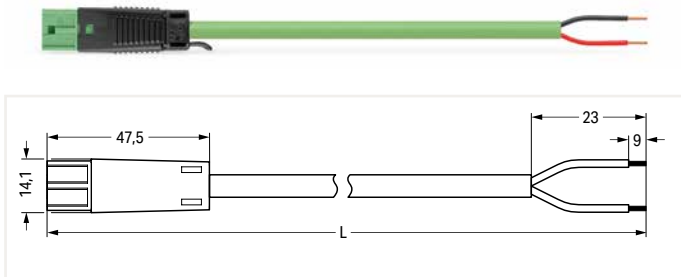
No. of poles: 2 ▶ Marking: 1+ 2- ▶ Coding: E ▶ PVC ▶ UNITRONIC BUS EIB 2x2x0.8



Interconnecting cable ▶ Connection type Socket - Plug			
Total length	Connector color/Strain relief color		PU
	green/black		
1 m	894-8992/033-106		1
3 m	894-8992/033-306		1
5 m	894-8992/033-506		1



Connecting cable ▶ Connection type Socket - Free end			
Total length	Connector color/Strain relief color		PU
	green/black		
1 m	894-8992/133-106		1
3 m	894-8992/133-306		1
5 m	894-8992/133-506		1

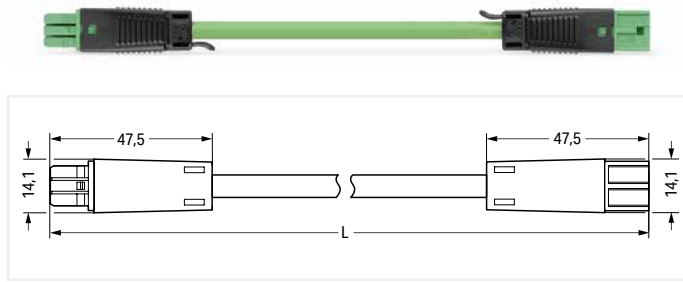


Connecting cable ▶ Connection type Plug - Free end			
Total length	Connector color/Strain relief color		PU
	green/black		
1 m	894-8992/233-106		1
3 m	894-8992/233-306		1
5 m	894-8992/233-506		1

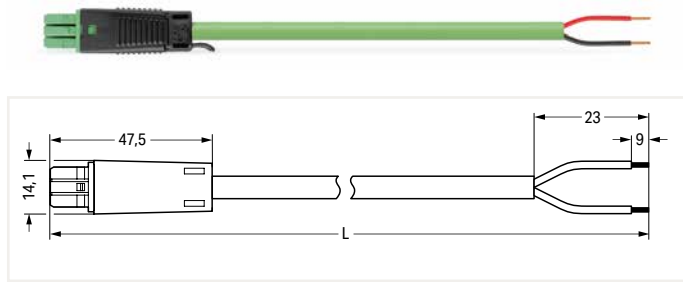
PU = Packaging Unit; SPU = Subpackaging Unit; Dimensions in mm

Cable Assembly ▶ WINSTA® KNX ▶ 894 Series

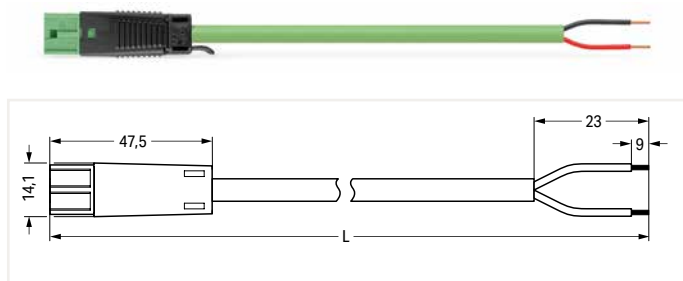
No. of poles: 2 ▶ Marking: 1+ 2- ▶ Coding: E ▶ Halogen-free ▶ UNITRONIC BUS EIB 2x2x0.8



Interconnecting cable ▶ Connection type Socket - Plug			
Total length	Connector color/Strain relief color		PU
	green/black		
1 m	894-8992/023-106		1
3 m	894-8992/023-306		1
5 m	894-8992/023-506		1



Connecting cable ▶ Connection type Socket - Free end			
Total length	Connector color/Strain relief color		PU
	green/black		
1 m	894-8992/123-106		1
3 m	894-8992/123-306		1
5 m	894-8992/123-506		1

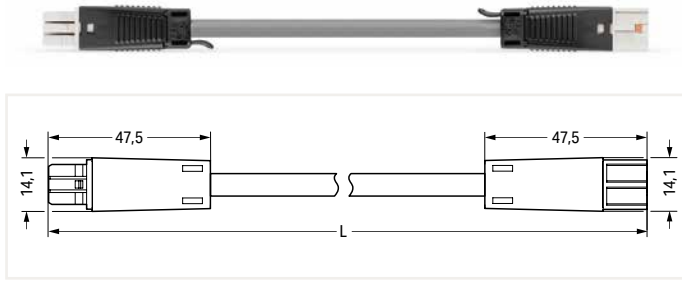


Connecting cable ▶ Connection type Plug - Free end			
Total length	Connector color/Strain relief color		PU
	green/black		
1 m	894-8992/223-106		1
3 m	894-8992/223-306		1
5 m	894-8992/223-506		1

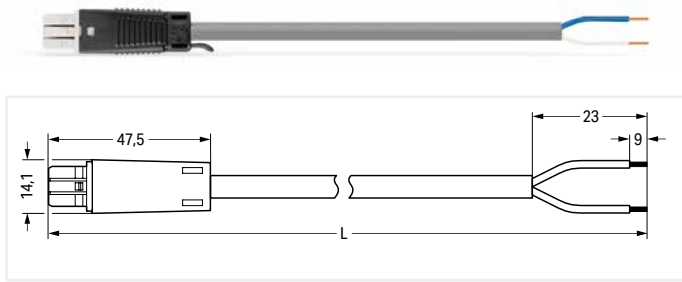
8

Cable Assembly ▶ WINSTA® KNX ▶ 894 Series

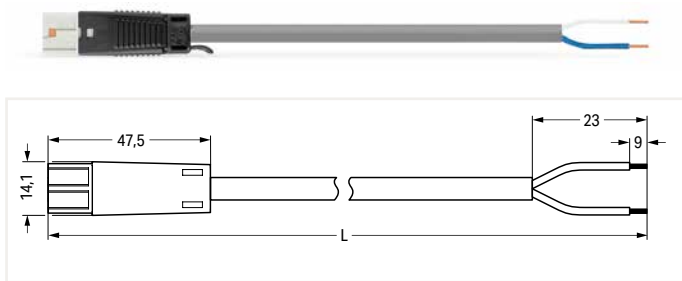
No. of poles: 2 ▶ Marking: 1+ 2- ▶ Coding: F ▶ Halogen-free ▶ J-Y(ST)Y...LG 1x2x0.8



Interconnecting cable ▶ Connection type Socket - Plug			
Total length	Connector color/Strain relief color		PU
	light gray/black		
1 m	894-8992/023-107		1
3 m	894-8992/023-307		1
5 m	894-8992/023-507		1



Connecting cable ▶ Connection type Socket - Free end			
Total length	Connector color/Strain relief color		PU
	light gray/black		
1 m	894-8992/123-107		1
3 m	894-8992/123-307		1
5 m	894-8992/123-507		1



Connecting cable ▶ Connection type Plug - Free end			
Total length	Connector color/Strain relief color		PU
	light gray/black		
1 m	894-8992/223-107		1
3 m	894-8992/223-307		1
5 m	894-8992/223-507		1

PU = Packaging Unit; SPU = Subpackaging Unit; Dimensions in mm



WAGO Pluggable Connection System

WINSTA® IDC

Important note:

The *WINSTA*® IDC system consists of the flat cables and the appropriate *WINSTA*® connection components that are described in this catalog and marked with "Woertz."

WAGO warrants the fault-free function of the *WINSTA*® IDC system only where original components are utilized.

Notice:




Only use identically coded supply and tap-off modules on the same cable!

- A- and P-coding (N ⊕ L1 L2 L3) are designed for a 400 V three-phase current cable configuration.
- I-coding (N ⊕ L DA- DA+) is designed for up to 230 V and dimming cable configurations.
- B-coding (N ⊕ L1 L2 L3) is designed for custom cable configurations.

Only modules with the same pole marking shall be used within an application.

WAGO Pluggable Connection System WINSTA® IDC ▶ 772, 893, 895, 896 Series for Flat Cables up to 16 mm²

- Note:
- Installation connectors are designed for connection and disconnection while not under load.
 - There is no hazard-inducing interchangeability with systems based on IEC 60309, IEC 60320, IEC 60906 and with national connector and socket systems.
 - Installation connector systems are not a substitute for residential connector/socket systems.
 - WINSTA® IDC Connectors are not intended for installation in open or easily accessible areas.

	Page
	IDC Modules for Flat Cables 5 x 2.5 mm ² / 5 x 4 mm ² / 5 x 2.5 mm ² + 2 x 1.5 mm ² ; 772 Series Supply Modules 421 Tap-Off Modules, WINSTA® Connectors 421
	IDC Modules for Flat Cables 5 x 2.5 mm ² + 2 x 1.5 mm ² ; 893 Series Supply Modules (KNX and Special Coding) 425 Tap-Off Modules (KNX and Special Coding) 426
	IDC Modules for Flat Cables 2 x 1.5 mm ² ; 893 Series Supply Modules (KNX and Special Coding) 429 Tap-Off Modules (KNX and Special Coding) 430
	IDC Modules for Flat Cables 3 x 2.5 mm ² ; 896 Series Supply Modules 433 Tap-Off Modules 434
	POWERBLOCK 10 for Flat Cable 5 x 10 mm ² ; 895 Series Supply Modules 437 Tap-Off Modules 438
	POWERBLOCK 16 for Flat Cable 5 x 16 mm ² ; 895 Series Supply Modules 441 Tap-Off Modules 442

WINSTA® IDC ▶ 772 Series Installation



Insert flat cable into base (observe coding!).



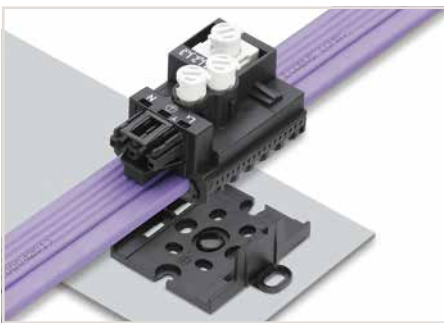
Mount IDC module flush with the base.
Should the IDC module jam during mounting, turn the upper part by 180° and remount it.



Screw down contact elements until element stops.



The mounting plate can be centrally mounted, or attached via outboard attachment points using 770-601 Mounting Pins.



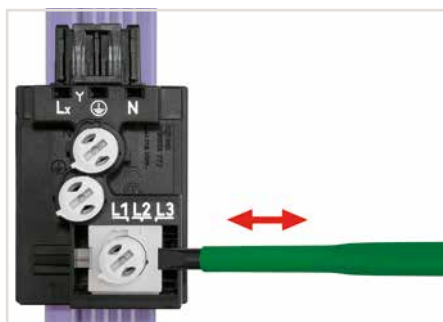
Snapping a supply or tap-off module onto a mounting plate.



9



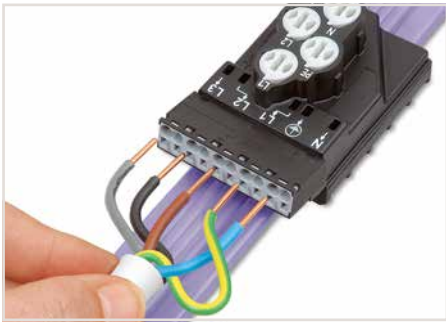
The phase selector is in position L2 (center) when delivered.



Move the phase selector into position L1 or L3 if required.



After connecting the flat cable, the IDC module is locked and can no longer be moved, even after unscrewing the contact element.



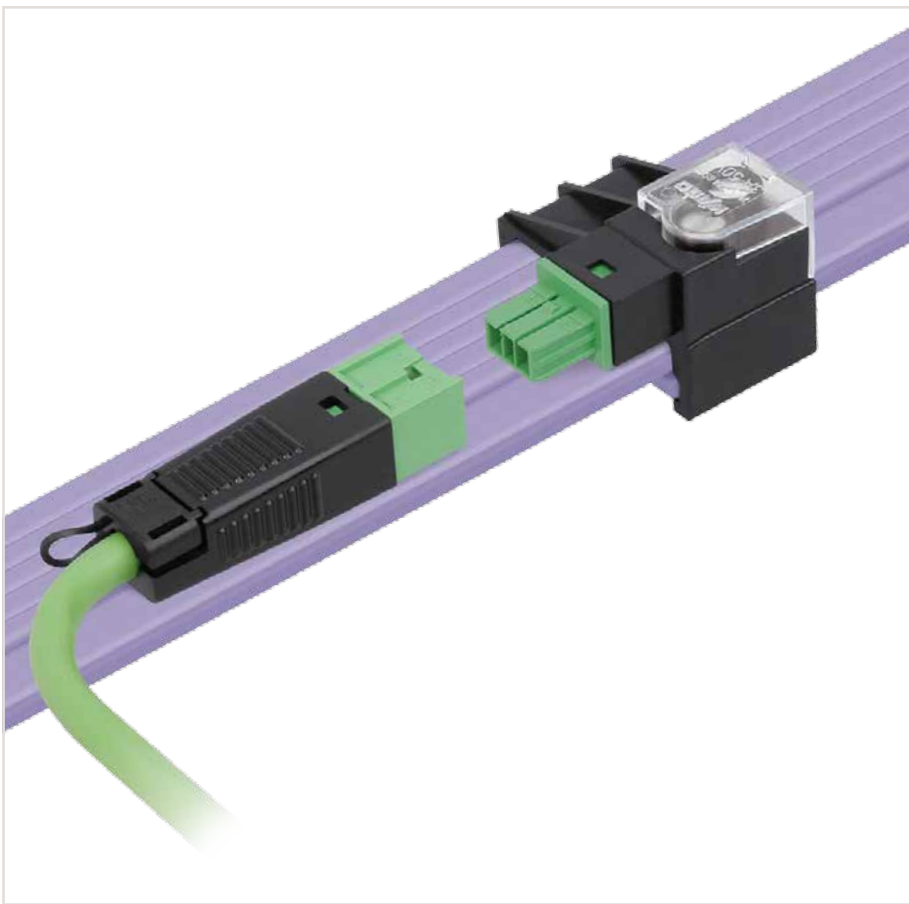
Connecting an installation cable to the supply module: Simply push stripped, solid conductors into unit. Open clamp via screwdriver to insert stripped, fine-stranded conductors.



Secure supply cable via strain relief housing.



Tighten strain relief screw using a screwdriver.



Tighten the screws to connect the flat cable. Observe 1 Nm of tightening torque!

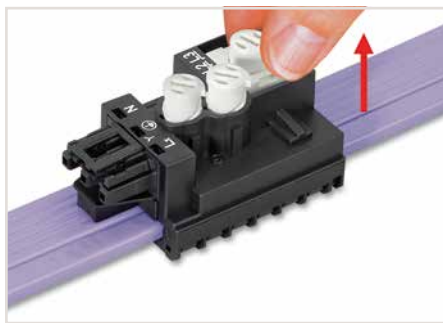


Snap the transparent protective cover onto the module.

9



Notice: Should it be necessary to tap another phase, this must be done in a different location. To do so, the contact elements must be unscrewed and brought back to their original position.



Lift contact element to unlock phase selector and select the new phase. Notice: Do not reuse in the same location of the flat cable.



Use insulating tape to seal the contact holes in the flat cable after removing a module.

Supply Module/Tap-Off Module ► WINSTA® IDC ► 772 Series for flat cables 5 x 2.5 mm², 5 x 4 mm², 5 x 2.5 mm² + 2 x 1.5 mm²



- Suitable for bus and power lines or for bus and power combined in one cable
- Easy installation without line interruption due to convenient insulation displacement technology (IDC)
- WINSTA® IDC Supply and Tap-Off Modules allow connection at any location of the flat cable – one rotation per pole is all that is required

Electrical Data

Ratings per	IEC/EN 60664-1		
Overvoltage category	III	III	II
Pollution degree	3	2	2
Rated voltage	400 V	-	-
Rated impulse voltage	6 kV	-	-
Rated current	25 A	-	-

Connection Data

Strip length	9 mm / 0.35 Inch
Nominal cross section	4 mm ²
Solid conductor	0.5 ... 4 mm ² / 20 ... 12 AWG
Solid conductor, push-in termination	1.5 ... 4 mm ² / 16 ... 12 AWG
Stranded conductor	0.5 ... 2.5 mm ² / 20 ... 14 AWG
Fine-stranded conductor	0.5 ... 4 mm ² / 20 ... 12 AWG
Fine-stranded conductor with ferrule with plastic collar	0.25 ... 1.5 mm ² / 20 ... 16 AWG
Fine-stranded conductor with ferrule without plastic collar	0.25 ... 2.5 mm ² / 20 ... 14 AWG
Fine-stranded conductor with ferrule, push-in termination, from	1.5 mm ² / 16 AWG
Connection technology 2	IDC connection

Material Data

Insulating material	Polyamide 66 (PA 66)
Flammability class per UL94	V0
Contact material	Copper or copper alloy, surface-treated

Mechanical Data

Mating force of a plug-in connection	approx. 30–70N (depending on number of poles)
Unmating force of a plug-in connection	when unlocked: approx. 15–20N
Protection class	IP20
Note on protection class	Only in mated condition (These compact connectors are not designed for use in open, easily accessible areas.)
Mismatching protection	All WINSTA® components are 100 % protected against mismatching in terms of: <ul style="list-style-type: none"> • Plugging a different number of poles • Plugging when rotated by 180° • Plugging when laterally staggered • Plugging one pole

Environmental Requirements

Processing temperature	-5 ... +40 °C
Continuous operating temperature	-35 ... +85 °C
Note on continuous service temperature	PVC cable for temperatures ≤ 70 °C (including halogen-free) PVC flat cable for temperatures -15 °C to ≤ 70 °C (including halogen-free) Insulating parts for temperatures ≤ 105 °C

Notice:

Only use identically coded supply and tap-off modules on the same cable!

- A- and P-coding (N ⊕ L1 L2 L3) are designed for a 400 V three-phase current cable configuration.
- I-coding (N ⊕ L DA- DA+) is designed for up to 230 V and dimming cable configurations.
- B-coding (N ⊕ L1 L2 L3) is designed for custom cable configurations. Only modules with the same pole marking shall be used within an application.

Tools Page 506

Flat cables Page 503

Additional information, see "Technical Section"

Approvals and corresponding ratings, visit www.wago.com

Supply Module/Tap-Off Module ▶ WINSTA® IDC ▶ 772 Series for flat cables 5 x 2.5 mm², 5 x 4 mm², 5 x 2.5 mm² + 2 x 1.5 mm²

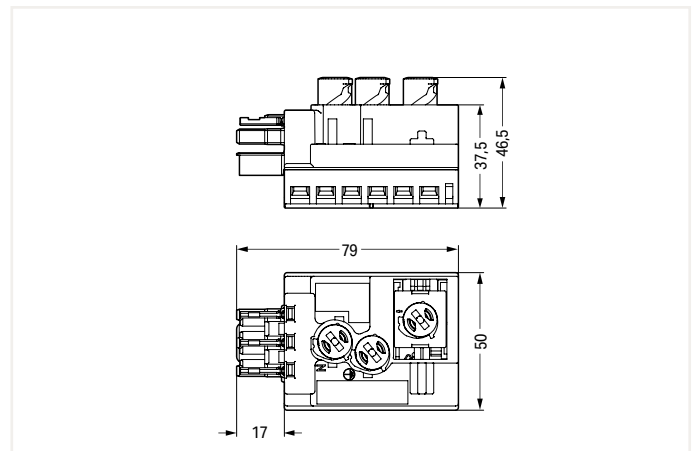
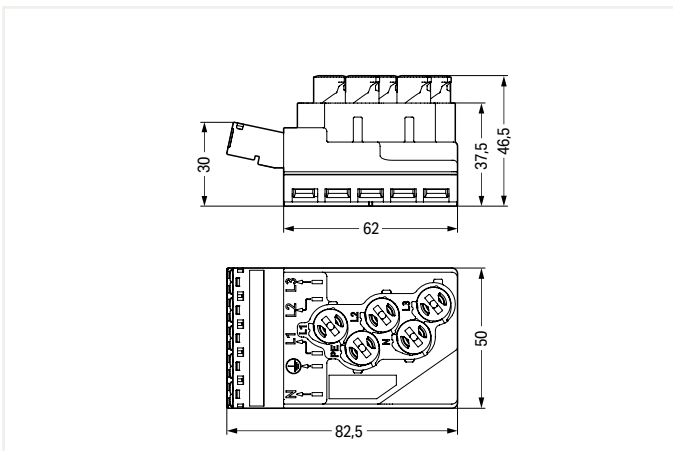
Supply module ▶ No. of poles: 5

Tap-off module ▶ No. of poles: 3



Color	Coding	Marking	Item No.	PU
● black	A	N ⊕ L1 L2 L3	772-261	10
● gray	B	N ⊕ L1 L2 L3	772-264/060-000	10
● blue	I	N ⊕ L DA- DA+	772-271	10
● red	P	N ⊕ L1 L2 L3	772-267	10

Color	Coding	Marking	Item No.	PU
● black	A	N ⊕ Lx	772-263	10
● gray	B	N ⊕ Lx	772-266/060-000	10
● red	P	N ⊕ Lx	772-269	10



Item-Specific Accessories



Lockout cap; for socket; separable; No. of poles: 12

Color	Item No.	PU
● black	770-201	100
○ white	770-221	100

Accessories; for all products on this page



Mounting plate; for Supply and Tap-off Modules

Color	Item No.	PU
● black	772-260	10

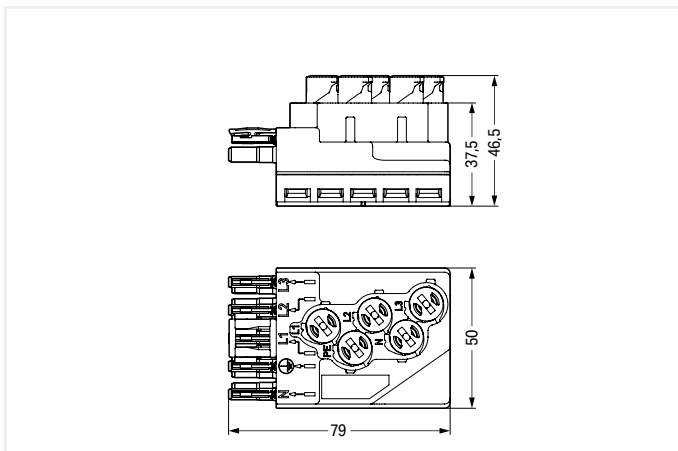
PU = Packaging Unit; SPU = Subpackaging Unit; Dimensions in mm

Supply Module/Tap-Off Module ▶ WINSTA® IDC ▶ 772 Series for flat cables 5 x 2.5 mm², 5 x 4 mm², 5 x 2.5 mm² + 2 x 1.5 mm²

Tap-off module ▶ No. of poles: 5



Color	Coding	Marking	Item No.	PU
● black	A	N ⊕ L1 L2 L3	772-262	10
● gray	B	N ⊕ L1 L2 L3	772-265/060-000	10
● blue	I	N ⊕ L DA- DA+	772-272	10
● red	P	N ⊕ L1 L2 L3	772-268	10



9

Accessories; for all products on this page



Lockout cap; for socket; separable; No. of poles: 12

Color	Item No.	PU
● black	770-201	100
○ white	770-221	100

Mounting plate; for Supply and Tap-off Modules

Color	Item No.	PU
● black	772-260	10

PU = Packaging Unit; SPU = Subpackaging Unit; Dimensions in mm

Supply Module/Tap-Off Module ▶ WINSTA® IDC ▶ 893 Series

for flat cable 5 x 2.5 mm² + 2 x 1.5 mm² ▶ No. of poles: 2



- Suitable for bus and power lines or for bus and power combined in one cable
- Easy installation without line interruption due to convenient insulation displacement technology (IDC)
- WINSTA® IDC Supply and Tap-Off Modules allow connection at any location of the flat cable – one rotation per pole is all that is required

Electrical Data

Ratings per	IEC/EN 60664-1		
Overvoltage category	III	II	II
Pollution degree	3	2	2
Rated voltage	50 V	-	-
Rated impulse voltage	0.8 kV	-	-
Rated current	3 A	-	-

Connection Data

Strip length	5 ... 6 mm / 0.2 ... 0.24 Inch
Conductor diameter	0.8 ... 0.0 mm
Connection technology 2	IDC connection

Material Data

Insulating material	Polyamide 66 (PA 66)
Flammability class per UL94	V0
Contact material	Copper or copper alloy, surface-treated
Reaction to fire class per EN 50575	E _{ca}

Mechanical Data

Mating force of a plug-in connection	approx. 30–70N (depending on number of poles)
Unmating force of a plug-in connection	when unlocked: approx. 15–20N
Protection class	IP20
Note on protection class	Only in mated condition (These compact connectors are not designed for use in open, easily accessible areas.)

Environmental Requirements

Processing temperature	-5 ... +40 °C
Continuous operating temperature	-35 ... +85 °C
Note on continuous service temperature	PVC cable for temperatures ≤ 70 °C (including halogen-free) PVC flat cable for temperatures -15 °C to ≤ 70 °C (including halogen-free) Insulating parts for temperatures ≤ 105 °C

Flat cables Page 503

Additional information, see "Technical Section"

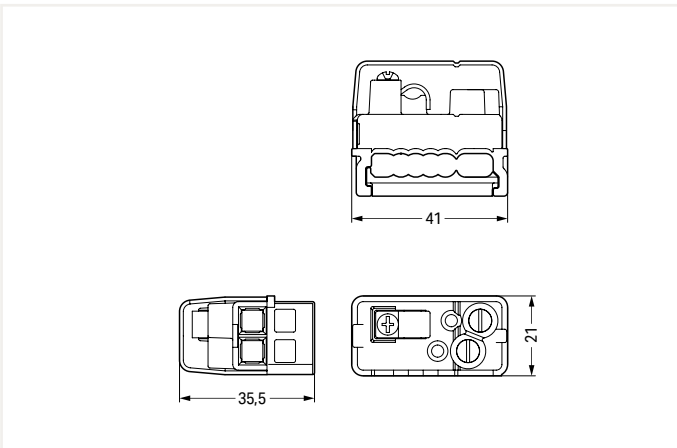
Approvals and corresponding ratings,
visit www.wago.com

Supply Module/Tap-Off Module ▶ WINSTA® IDC ▶ 893 Series for flat cable 5 x 2.5 mm² + 2 x 1.5 mm² ▶ No. of poles: 2

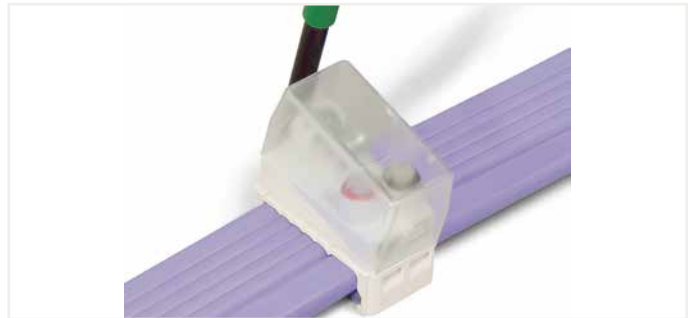
Supply module



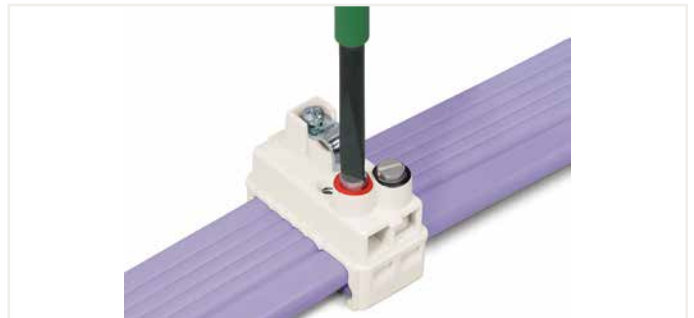
Color	Item No.	PU
● gray	893-261	50



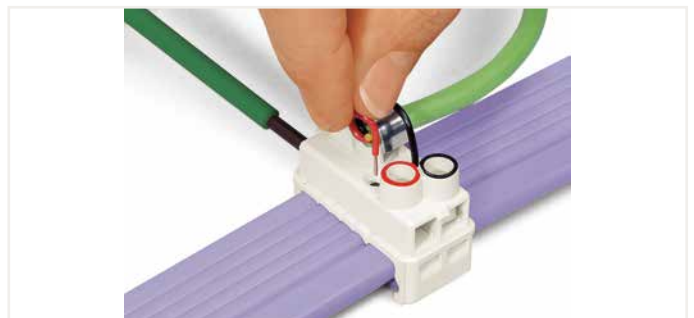
The IDC module can only be mounted if the two codings match each other. Should the IDC module jam during mounting, turn the module by 180° and remount it, flush with the base.



Remove transparent cover using a screwdriver.



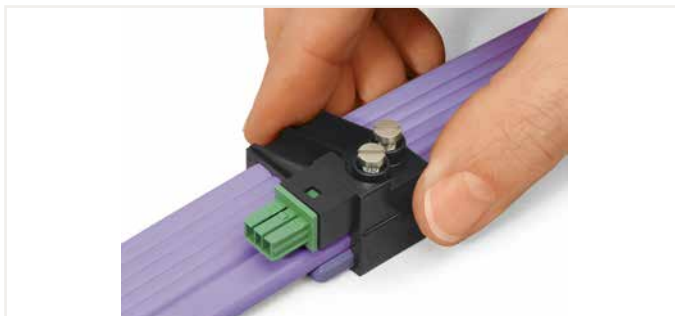
Tighten the screws that are marked in red and black to connect the flat cable. Observe 1 Nm of tightening torque!



Secure bus cable via strain relief and terminate stripped conductors as shown in the picture.

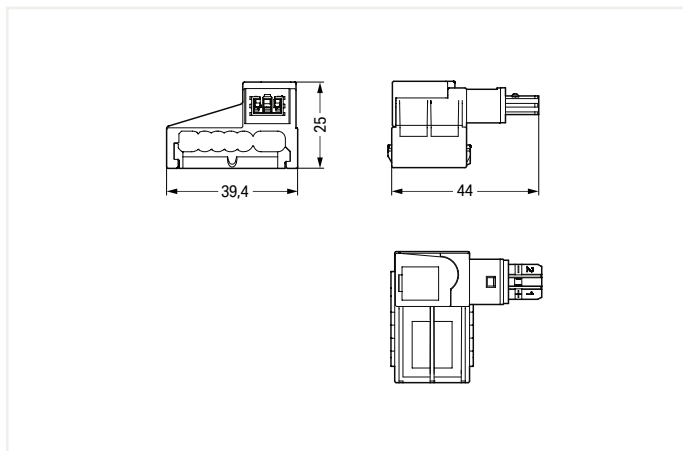
Supply Module/Tap-Off Module ▶ WINSTA® IDC ▶ 893 Series for flat cable 5 x 2.5 mm² + 2 x 1.5 mm² ▶ No. of poles: 2

Tap-off module



The IDC module can only be mounted if the two codings match each other. Should the IDC module jam during mounting, turn the module by 180° and remount it, flush with the base.

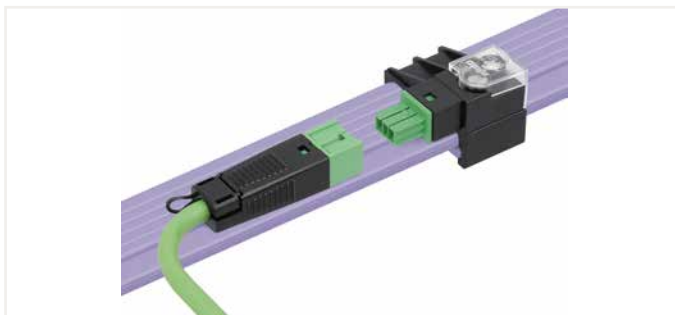
Color	Coding	Marking	Item No.	PU
● green	E	1+ 2-	893-262	50
○ light gray	F	1+ 2-	893-269	50



Tighten the screws to connect the flat cable. Observe 1 Nm of tightening torque!



Snap the transparent protective cover onto the module.



Connect the cable assembly to the module.

9

Supply Module/Tap-Off Module ▶ WINSTA® IDC ▶ 893 Series for flat cable 2 x 1.5 mm² ▶ No. of poles: 2



- Suitable for bus and power lines or for bus and power combined in one cable
- Easy installation without line interruption due to convenient insulation displacement technology (IDC)
- WINSTA® IDC Supply and Tap-Off Modules allow connection at any location of the flat cable – one rotation per pole is all that is required

Electrical Data

Ratings per	IEC/EN 60664-1		
Overvoltage category	III	III	II
Pollution degree	3	2	2
Rated voltage	50 V	-	-
Rated impulse voltage	0.8 kV	-	-
Rated current	3 A	-	-

Connection Data

Connection technology	IDC
Strip length	5 ... 6 mm / 0.2 ... 0.24 Inch
Conductor diameter	0.6 ... 0.8 mm

Material Data

Insulating material	Polyamide 66 (PA 66)
Flammability class per UL94	V0
Contact material	Copper or copper alloy, surface-treated
Reaction to fire class per EN 50575	E _{ca}

Mechanical Data

Mating force of a plug-in connection	approx. 30–70N (depending on number of poles)
Unmating force of a plug-in connection	when unlocked: approx. 15–20N
Protection class	IP20
Note on protection class	Only in mated condition (These compact connectors are not designed for use in open, easily accessible areas.)

Environmental Requirements

Processing temperature	-5 ... +40 °C
Continuous operating temperature	-35 ... +85 °C
Note on continuous service temperature	PVC cable for temperatures ≤ 70 °C (including halogen-free) PVC flat cable for temperatures -15 °C to ≤ 70 °C (including halogen-free) Insulating parts for temperatures ≤ 105 °C

Flat cables Page 504

Additional information, see "Technical Section"

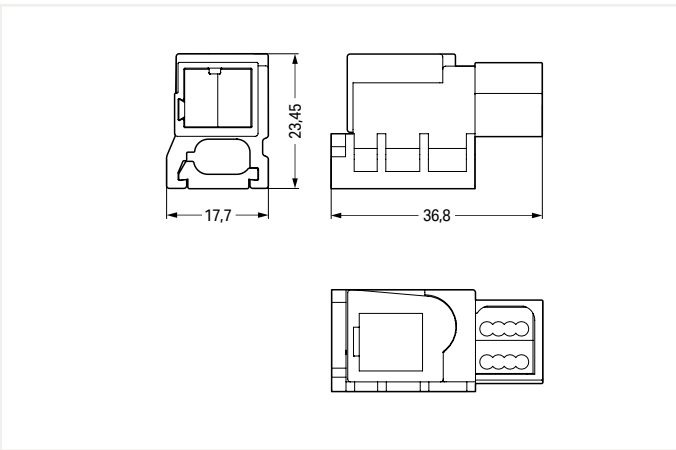
Approvals and corresponding ratings,
visit www.wago.com

Supply Module/Tap-Off Module ▶ WINSTA® IDC ▶ 893 Series for flat cable 2 x 1.5 mm² ▶ No. of poles: 2

Supply module



Color	Item No.	PU
● black	893-121	25



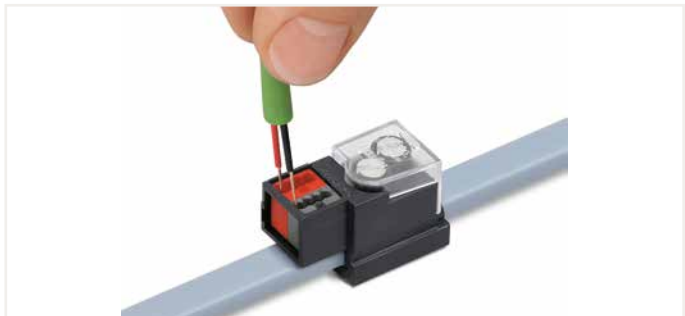
The IDC module can only be mounted if the two codings match each other. Should the IDC module jam during mounting, turn the module by 180° and remount it, flush with the base.



Tighten the screws to connect the flat cable. Observe 1 Nm of tightening torque!



Snap the transparent protective cover onto the module.



Terminate stripped, solid conductors by simply pushing them into unit until they hit backstop.

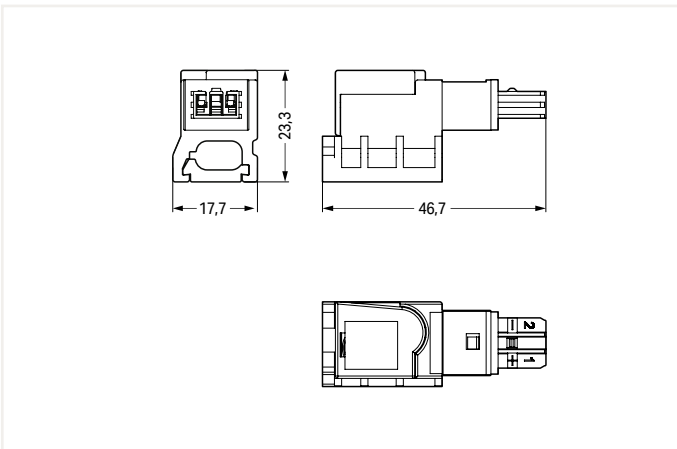
PU = Packaging Unit; SPU = Subpackaging Unit; Dimensions in mm

Supply Module/Tap-Off Module ▶ WINSTA® IDC ▶ 893 Series for flat cable 2 x 1.5 mm² ▶ No. of poles: 2

Tap-off module



Color	Coding	Marking	Item No.	PU
● green	E	1+ 2-	893-122	50
○ light gray	F	1+ 2-	893-129	50



The IDC module can only be mounted if the two codings match each other. Should the IDC module jam during mounting, turn the module by 180° and remount it, flush with the base.



Tighten the screws to connect the flat cable. Observe 1 Nm of tightening torque!



Snap the transparent protective cover onto the module.



Connect the cable assembly to the module.

Supply Module/Tap-Off Module ▶ WINSTA® IDC ▶ 896 Series for flat cable 3 x 2.5 mm²



- Suitable for bus and power lines or for bus and power combined in one cable
- Easy installation without line interruption due to convenient insulation displacement technology (IDC)
- WINSTA® IDC Supply and Tap-Off Modules allow connection at any location of the flat cable – one rotation per pole is all that is required

Electrical Data

Ratings per	IEC/EN 60664-1		
Overvoltage category	III	III	II
Pollution degree	3	2	2
Rated voltage	250 V	-	-
Rated impulse voltage	4 kV	-	-
Rated current	24 A	-	-

Connection Data

Connection technology	Screw clamp connection
Connection technology 2	IDC connection

Material Data

Insulating material	Polyamide 66 (PA 66)
Flammability class per UL94	V0
Contact material	Copper or copper alloy, surface-treated

Mechanical Data

Protection class	IP20
------------------	------

Environmental Requirements

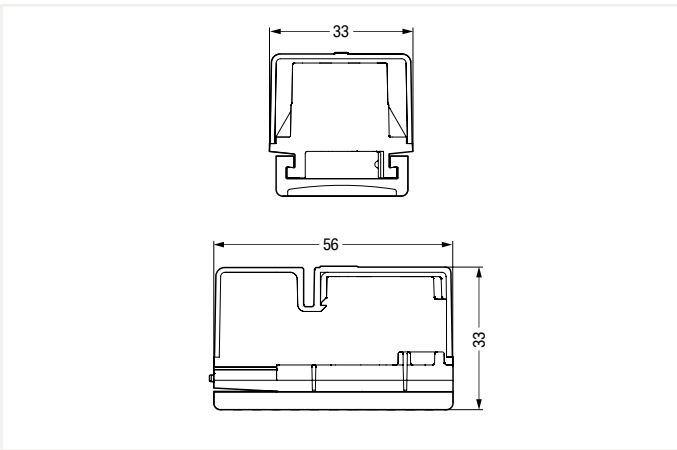
Processing temperature	-5 ... +40 °C
Continuous operating temperature	-35 ... +85 °C

Supply Module/Tap-Off Module ▶ WINSTA® IDC ▶ 896 Series for flat cable 3 x 2.5 mm²

Supply module ▶ No. of poles: 3



Color	Item No.	PU
● gray	896-231	10



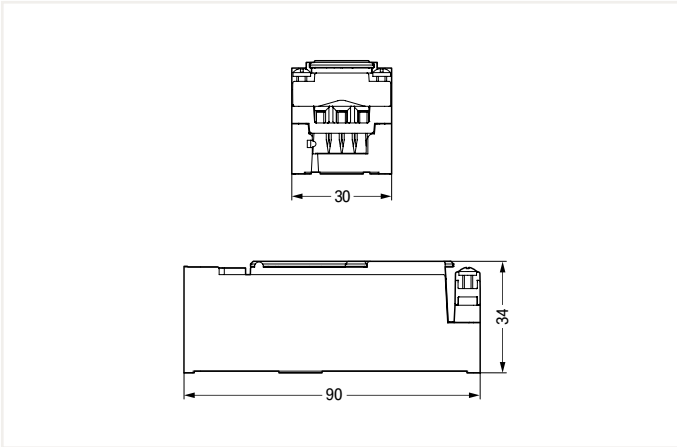
PU = Packaging Unit; SPU = Subpackaging Unit; Dimensions in mm

Supply Module/Tap-Off Module ▶ WINSTA® IDC ▶ 896 Series for flat cable 3 x 2.5 mm²

Tap-off module ▶ No. of poles: 3



Color	Item No.	PU
● gray	896-232	10



Position the base and tighten screw, if necessary. Insert flat cable accurately. The key in the base must match the groove in the cable insulation.



Cut outgoing feeder cable, completely strip and insert conductors. Tighten screws firmly (observe 0.7 Nm of tightening torque).



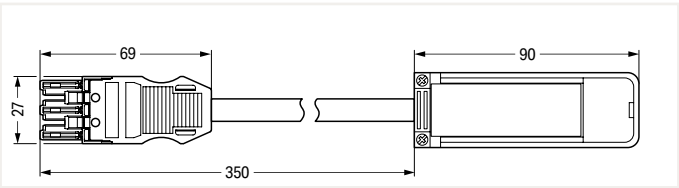
Insert upper part into base until it hits the stop (which will click when engaged). Push down and lock lever. All three cores are contacted simultaneously.

Supply Module/Tap-Off Module ▶ WINSTA® IDC ▶ 896 Series for flat cable 3 x 2.5 mm²

Cable assembly



Color	Item No.	PU
● black	896-233	1
○ white	896-234	1



Supply Module/Tap-Off Module ▶ WINSTA® IDC ▶ 895 Series POWERBLOCK 10 ▶ for flat cable 5 x 10 mm² ▶ No. of poles: 5



- Suitable for bus and power lines or for bus and power combined in one cable
- Easy installation without line interruption due to convenient insulation displacement technology (IDC)
- WINSTA® IDC Supply and Tap-Off Modules allow connection at any location of the flat cable – one rotation per pole is all that is required

Electrical Data

Main product function	Supply module			Tap-off module		
	IEC/EN 60664-1					
Ratings per	IEC/EN 60664-1					
Overvoltage category	III	III	II	III	III	II
Pollution degree	3	2	2	3	2	2
Rated voltage	750 V	-	-	690 V	-	-
Rated impulse voltage	8 kV	-	-	8 kV	-	-
Rated current	57 A	-	-	32 A	-	-

Material Data

Insulating material	Polyamide 66 (PA 66)
Flammability class per UL94	V0
Contact material	Copper or copper alloy, surface-treated

Mechanical Data

Mating force of a plug-in connection	approx. 30–70N (depending on number of poles)
Unmating force of a plug-in connection	when unlocked: approx. 15–20N
Protection class	IP20
Note on protection class	Only in mated condition (These compact connectors are not designed for use in open, easily accessible areas.)

Environmental Requirements

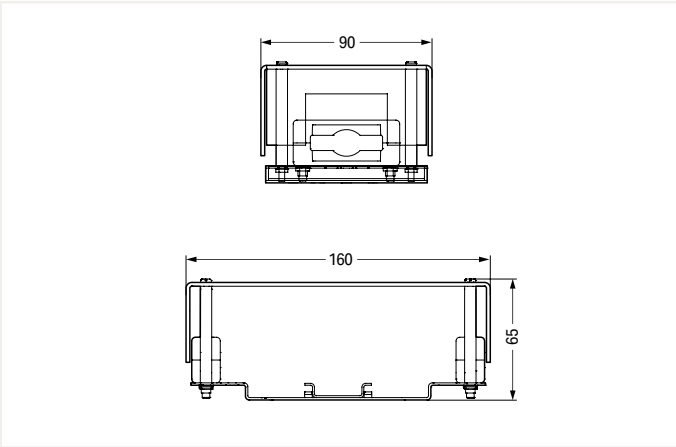
Processing temperature	-5 ... +40 °C
Continuous operating temperature	-35 ... +85 °C
Note on continuous service temperature	PVC cable for temperatures ≤ 70 °C (including halogen-free) PVC flat cable for temperatures -15 °C to ≤ 70 °C (including halogen-free) Insulating parts for temperatures ≤ 105 °C

Supply Module/Tap-Off Module ▶ WINSTA® IDC ▶ 895 Series POWERBLOCK 10 ▶ for flat cable 5 x 10 mm² ▶ No. of poles: 5

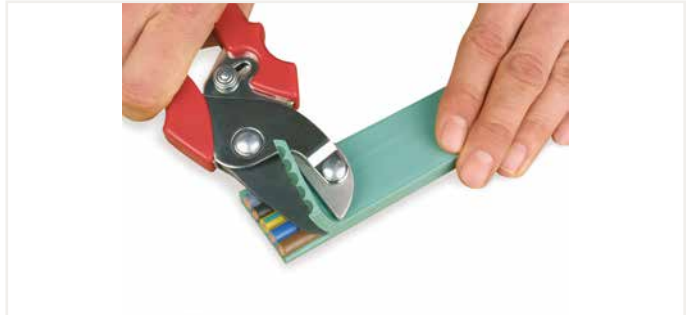
Supply module



Color	Item No.	PU
○ transparent	895-1051	1



Cut both sides of the flat cable insulation using a stripping knife (observe 30 mm of cutting length).



Cut off insulation via cutter.



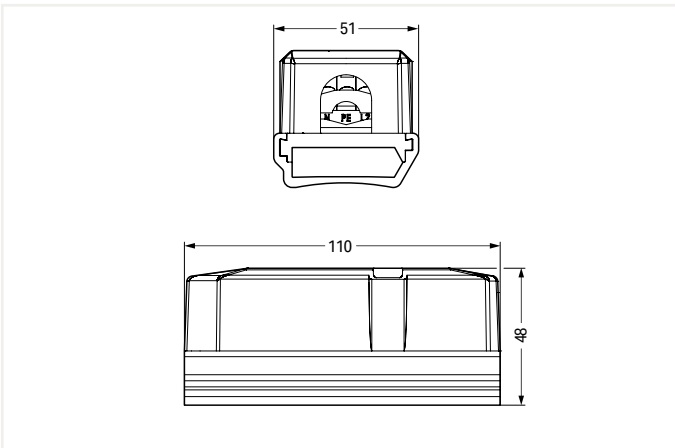
Push end cover fully onto the conductor ends.

Supply Module/Tap-Off Module ▶ WINSTA® IDC ▶ 895 Series POWERBLOCK 10 ▶ for flat cable 5 x 10 mm² ▶ No. of poles: 5

Tap-off module



Color	Item No.	PU
○ transparent	895-1052	25



Supply Module/Tap-Off Module ▶ WINSTA® IDC ▶ 895 Series POWERBLOCK 16 ▶ for flat cable 5 x 16 mm² ▶ No. of poles: 5



- Suitable for bus and power lines or for bus and power combined in one cable
- Easy installation without line interruption due to convenient insulation displacement technology (IDC)
- WINSTA® IDC Supply and Tap-Off Modules allow connection at any location of the flat cable – one rotation per pole is all that is required

Electrical Data						
Main product function	Supply module			Tap-off module		
Ratings per	IEC/EN 60664-1					
Overvoltage category	III	III	II	III	III	II
Pollution degree	3	2	2	3	2	2
Rated voltage	690 V	-	-	690 V	-	-
Rated impulse voltage	8 kV	-	-	8 kV	-	-
Rated current	76 A	-	-	41 A	-	-

Connection Data	
Connection technology	Screw clamp connection
Connection technology 2	IDC connection

Material Data	
Insulating material	Polyamide 66 (PA 66)
Flammability class per UL94	V0
Contact material	Copper or copper alloy, surface-treated

Mechanical Data	
Mating force of a plug-in connection	approx. 30–70N (depending on number of poles)
Unmating force of a plug-in connection	when unlocked: approx. 15–20N
Protection class	IP 20 without cable gland/filler plug IP 65 with cable gland/filler plug
Note on protection class	Only in mated condition (These compact connectors are not designed for use in open, easily accessible areas.)

Environmental Requirements	
Processing temperature	-5 ... +40 °C
Continuous operating temperature	-35 ... +85 °C
Note on continuous service temperature	PVC cable for temperatures ≤ 70 °C (including halogen-free) PVC flat cable for temperatures -15 °C to ≤ 70 °C (including halogen-free) Insulating parts for temperatures ≤ 105 °C

Flat cables Page 505

Additional information, see "Technical Section"

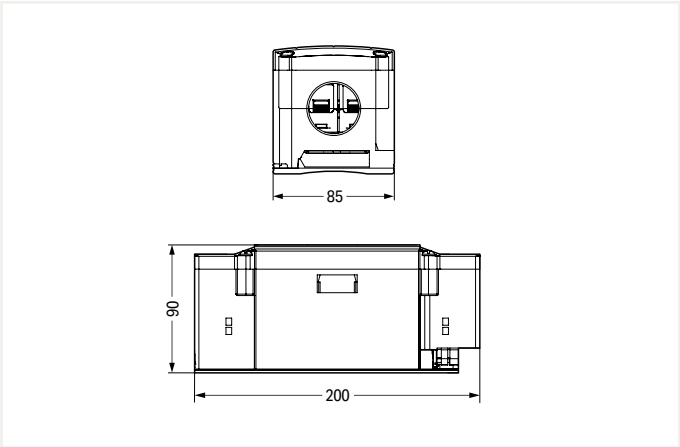
Approvals and corresponding ratings,
visit www.wago.com

Supply Module/Tap-Off Module ▶ WINSTA® IDC ▶ 895 Series POWERBLOCK 16 ▶ for flat cable 5 x 16 mm² ▶ No. of poles: 5

Supply module



Color	Item No.	PU
● black	895-1651	1



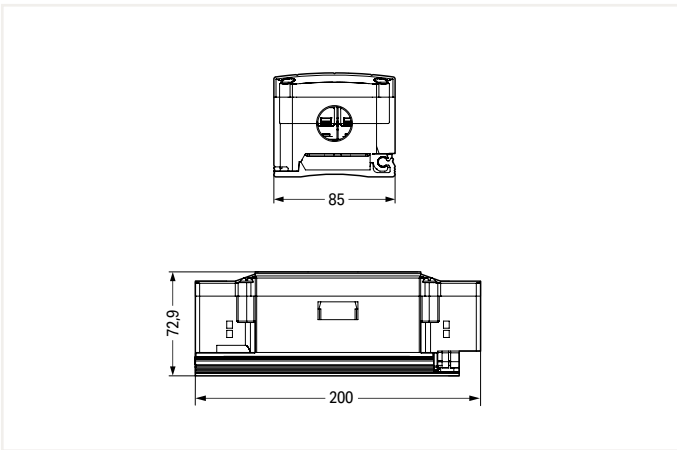
Supply Module/Tap-Off Module ▶ WINSTA® IDC ▶ 895 Series POWERBLOCK 16 ▶ for flat cable 5 x 16 mm² ▶ No. of poles: 5

Tap-off module



Tighten the screws to the stop to connect the flat cable (observe the tightening torque!)

Color	Item No.	PU
● black	895-1652	1





Red contact clips confirm that the contacts are made correctly when they are flush with the terminals.



WAGO Pluggable Connection System WINSTA® Boxes

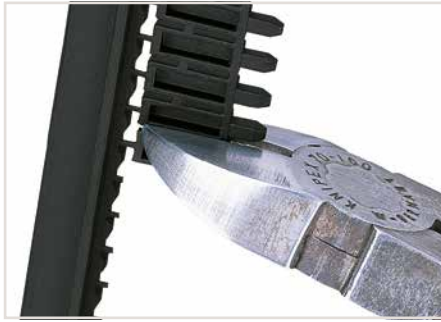
WAGO Pluggable Connection System WINSTA® Boxes ▶ 899 Series

	Page	
	899 Series	
	Single-Phase Current (230 V)	447
	Three-Phase Current (400 V)	451
	Three-Phase to Single-Phase Current (400 V/230 V)	453
	Supply Cable Entry	458
	DALI	462
	SMI	465
	Motion and Presence Detectors	466
	On/Off Switching	469
	Series Switching	470
	Changeover Switching	471
	Crossover Switching	472
	Cable and Device Protection	473
	Overvoltage Protection	473
	Switching with Latching Relay	474
	Distribution Box for Self-Assembly	476

WINSTA® Boxes ▶ 899 Series Description and Installation



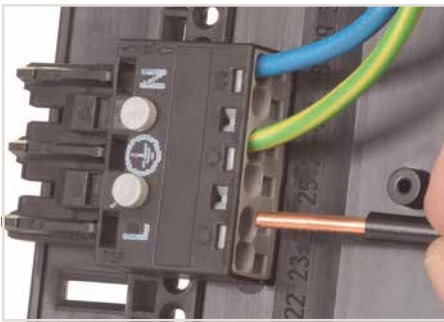
The set includes: 1 bottom, 1 lid, 2 sidewalls and 16 mounting pins.



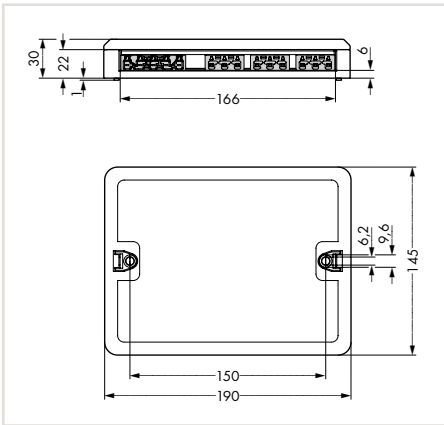
Remove unrequired areas from the sidewalls.



Unassigned slots and spaces are closed by inserting a sidewall.



Using mounting pins to secure WINSTA® MIDI and WINSTA® MIDI special connectors in a distribution box.



Dimensions of a WINSTA® Distribution Box

10



Securing the mounting plate with WINSTA® Distribution Box to the wall (e.g., via stud gun).



Using adapters to install WINSTA® MINI and WINSTA® MIDI special connectors in a distribution box.



Custom-made WINSTA® Distribution Box

WINSTA® Boxes ▶ 899 Series

Distribution ▶ Single-Phase Current (230 V)

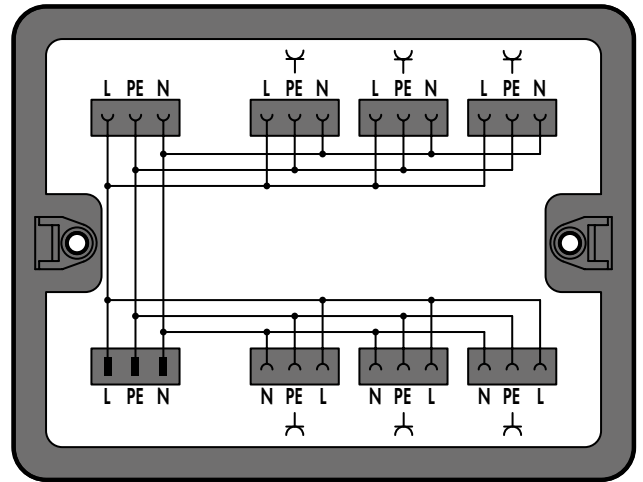
1 Input; 7 Outputs; A-Coding; WINSTA® MIDI

Description

This WINSTA® Distribution Box duplicates the outputs of a 3-pole, single-phase cable.

Technical Data

Rated voltage (III / 3)	250 V
Rated surge voltage (III / 3)	4 kV
Rated current	25 A
Internal wiring	4 mm ²



Distribution box; single-phase current (230 V)

Color	Item No.	PU
● black	899-631/104-000	1

Distribution ▶ Single-Phase Current (230 V)

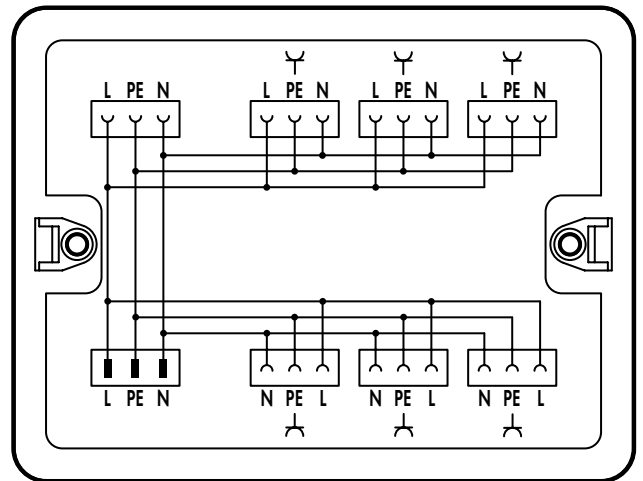
1 Input; 7 Outputs; A-Coding; WINSTA® MIDI

Description

This WINSTA® Distribution Box duplicates the outputs of a 3-pole, single-phase cable.

Technical Data

Rated voltage (III / 3)	250 V
Rated surge voltage (III / 3)	4 kV
Rated current	25 A
Internal wiring	4 mm ²



Distribution box; single-phase current (230 V)

Color	Item No.	PU
○ white	899-681/104-000	1

10

Mounting Page 498

Additional information, see "Technical Section"

Approvals and corresponding ratings, visit www.wago.com

PU = Packaging Unit; SPU = Subpackaging Unit; Dimensions in mm

WINSTA® Boxes ▶ 899 Series

Distribution ▶ Single-Phase Current (230 V)

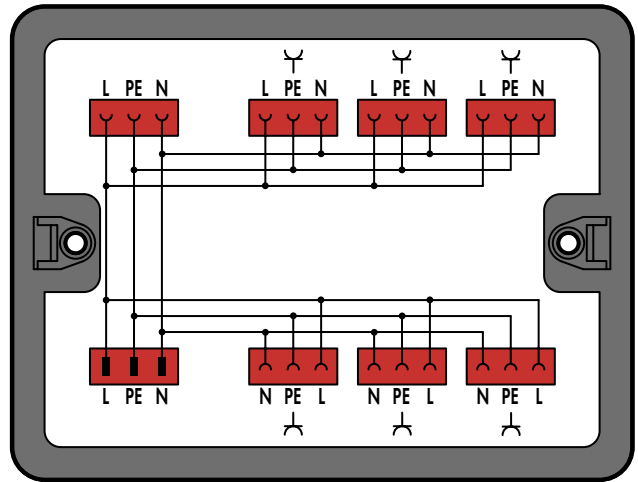
1 Input; 7 Outputs; P-Coding; WINSTA® MIDI

Description

This WINSTA® Distribution Box duplicates the outputs of a 3-pole, single-phase cable.

Technical Data

Rated voltage (III / 3)	250 V
Rated surge voltage (III / 3)	4 kV
Rated current	25 A
Internal wiring	4 mm ²



Distribution box; single-phase current (230 V)

Color	Item No.	PU
● black	899-631/330-000	1

Distribution ▶ Single-Phase Current (230 V)

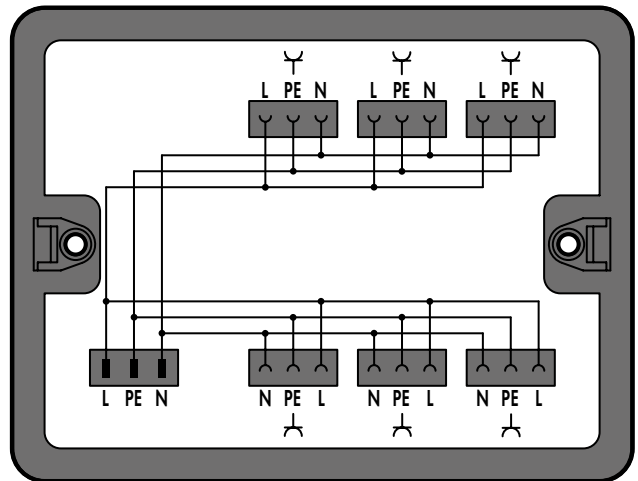
1 Input; 6 Outputs; A-Coding; WINSTA® MIDI

Description

This WINSTA® Distribution Box duplicates the outputs of a 3-pole, single-phase cable.

Technical Data

Rated voltage (III / 3)	250 V
Rated surge voltage (III / 3)	4 kV
Rated current	25 A
Internal wiring	4 mm ²



Distribution box; single-phase current (230 V)

Color	Item No.	PU
● black	899-631/140-000	1

10

Mounting Page 498

Additional information, see "Technical Section"

Approvals and corresponding ratings, visit www.wago.com

PU = Packaging Unit; SPU = Subpackaging Unit; Dimensions in mm

WINSTA® Boxes ▶ 899 Series

Distribution ▶ Single-Phase Current (230 V)

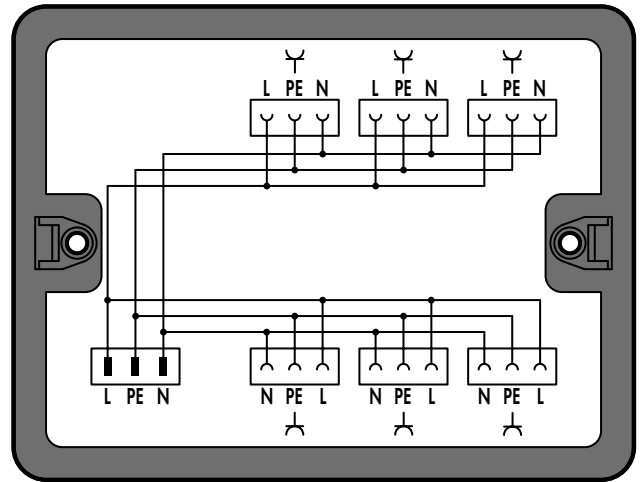
1 Input; 6 Outputs; A-Coding; WINSTA® MIDI

Description

This WINSTA® Distribution Box duplicates the outputs of a 3-pole, single-phase cable.

Technical Data

Rated voltage (III / 3)	250 V
Rated surge voltage (III / 3)	4 kV
Rated current	25 A
Internal wiring	4 mm ²



Distribution box; single-phase current (230 V)

Color	Item No.	PU
● black	899-631/395-000	1

Distribution ▶ Single-Phase Current (230 V)

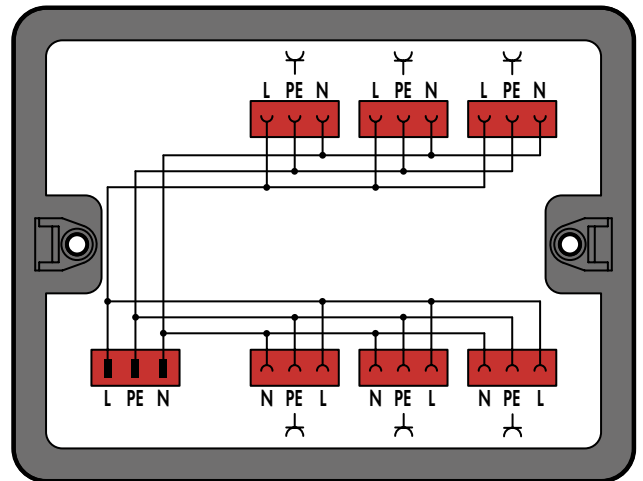
1 Input; 6 Outputs; P-Coding; WINSTA® MIDI

Description

This WINSTA® Distribution Box duplicates the outputs of a 3-pole, single-phase cable.

Technical Data

Rated voltage (III / 3)	250 V
Rated surge voltage (III / 3)	4 kV
Rated current	25 A
Internal wiring	4 mm ²



Distribution box; single-phase current (230 V)

Color	Item No.	PU
● black	899-631/331-000	1

PU = Packaging Unit; SPU = Subpackaging Unit; Dimensions in mm

WINSTA® Boxes ▶ 899 Series

Distribution ▶ Single-Phase Current (230 V)

1 Input; 13 Outputs; A-Coding; WINSTA® MIDI

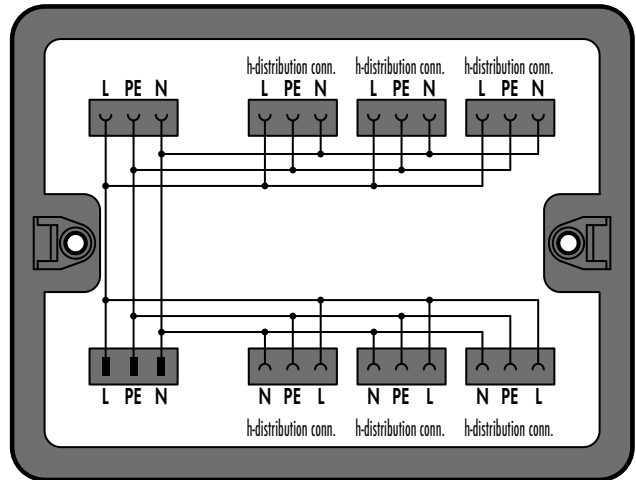
Description

This WINSTA® Distribution Box duplicates the outputs of a 3-pole, single-phase cable.

Includes: Six 770-634 h-Distribution Connectors

Technical Data

Rated voltage (III / 3)	250 V
Rated surge voltage (III / 3)	4 kV
Rated current	25 A
Internal wiring	4 mm ²



Distribution box; single-phase current (230 V)

Color	Item No.	PU
● black	899-631/334-000	1

Distribution ▶ Single-Phase Current (230 V)

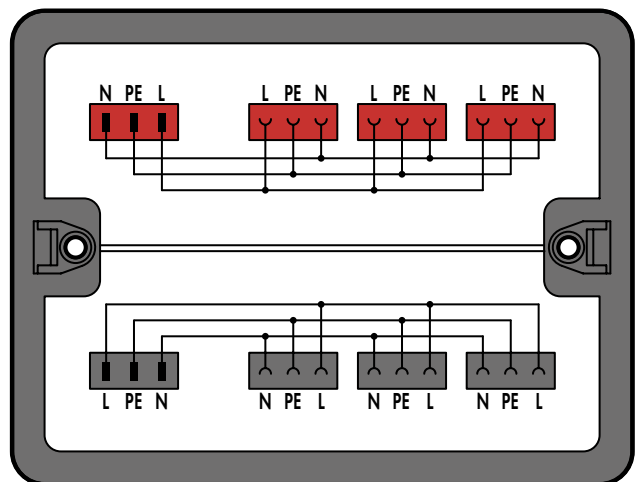
2 Circuits; A+P-Coding; WINSTA® MIDI

Description

This WINSTA® Distribution Box features two different 3-pole, single-phase circuits (e.g., for general power, EDP outlets, and UPS systems). Both networks are provided with differently encoded connectors. Three-pole connecting cables are provided for both power input and output.

Technical Data

Rated voltage (III / 3)	250 V
Rated surge voltage (III / 3)	4 kV
Rated current	25 A
Internal wiring	4 mm ²



Verteilerbox; Wechselstrom (230 V)

Color	Item No.	PU
● black	899-631/311-000	1

Mounting Page 498

Additional information, see "Technical Section"

Approvals and corresponding ratings, visit www.wago.com

PU = Packaging Unit; SPU = Subpackaging Unit; Dimensions in mm

WINSTA® Boxes ▶ 899 Series**Distribution ▶ Single-Phase Current (230 V)**

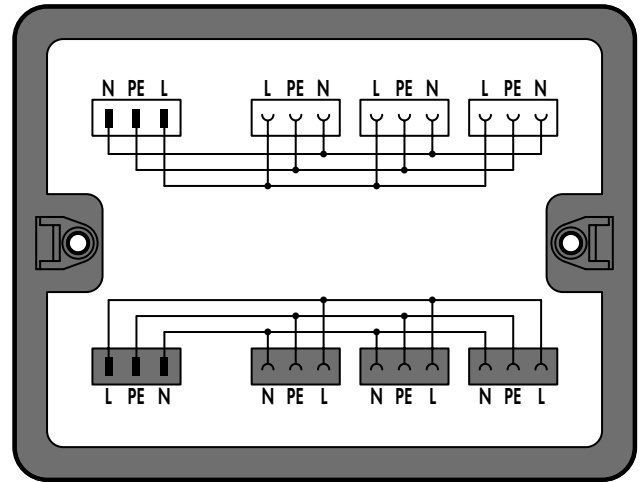
2 Circuits; A-Coding; WINSTA® MIDI

Description

This WINSTA® Distribution Box features two different 3-pole, single-phase circuits (e.g., for general power, EDP outlets, and UPS systems). Both networks are provided with differently encoded connectors. Three-pole connecting cables are provided for both power input and output.

Technical Data

Rated voltage (III / 3)	250 V
Rated surge voltage (III / 3)	4 kV
Rated current	25 A
Internal wiring	4 mm ²

**Distribution box; single-phase current (230 V)**

Color	Item No.	PU
● black	899-631/327-000	1

Distribution ▶ Three-Phase Current (400 V)

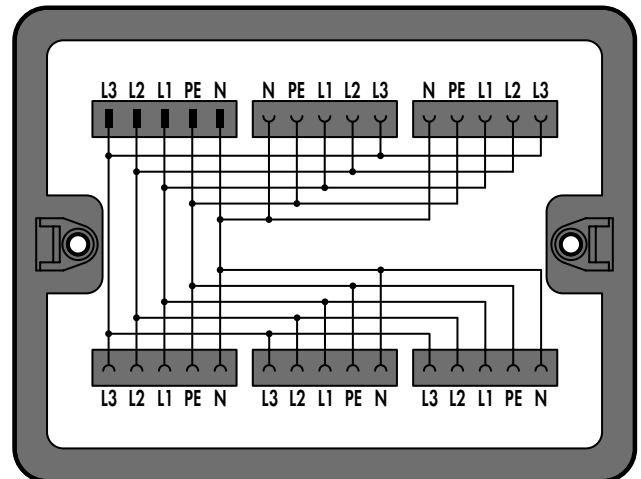
1 Input; 5 Outputs; A-Coding; WINSTA® MIDI

Description

This WINSTA® Distribution Box duplicates the outputs of a 5-pole, three-phase cable.

Technical Data

Rated voltage (III / 3)	250 V
Rated surge voltage (III / 3)	4 kV
Rated current	25 A
Internal wiring	4 mm ²

**Distribution box; three-phase current (400 V)**

Color	Item No.	PU
● black	899-631/187-000	1

10

WINSTA® Boxes ▶ 899 Series

Distribution ▶ Three-Phase Current (400 V)

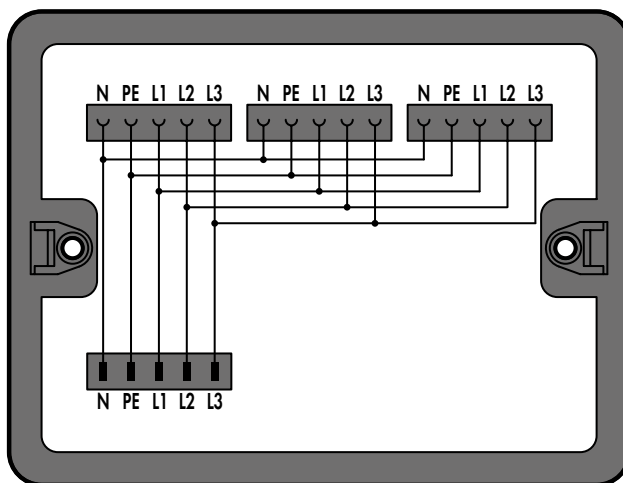
1 Input; 3 Outputs; A-Coding; WINSTA® MIDI

Description

This WINSTA® Distribution Box duplicates the outputs of a 5-pole, three-phase cable.

Technical Data

Rated voltage (III / 3)	400 V
Rated surge voltage (III / 3)	6 kV
Rated current	25 A
Internal wiring	4 mm ²



Distribution box; three-phase current (400 V)		
Color	Item No.	PU
● black	899-631/341-000	1

Distribution ▶ Three-Phase Current (400 V)

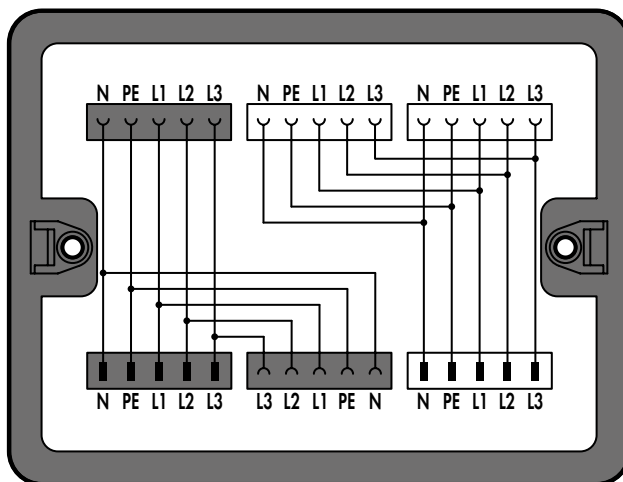
2 Circuits; 1 Input (Each); 2 Outputs (Each); A-Coding; WINSTA® MIDI

Description

This WINSTA® Distribution Box features two different 5-pole, three-phase circuits for both general and uninterruptible power supply in raised-floor boxes. Power supply is performed using a 5-pole connector. For example, both circuits can be clearly identified using black and white connectors or cables.

Technical Data

Rated voltage (III / 3)	400 V
Rated surge voltage (III / 3)	6 kV
Rated current	20 A
Internal wiring	2.5 mm ² halogen free



Distribution box; three-phase current (400 V)		
Color	Item No.	PU
● black	899-631/312-000	1

10

Mounting Page 498

Additional information, see "Technical Section"

Approvals and corresponding ratings, visit www.wago.com

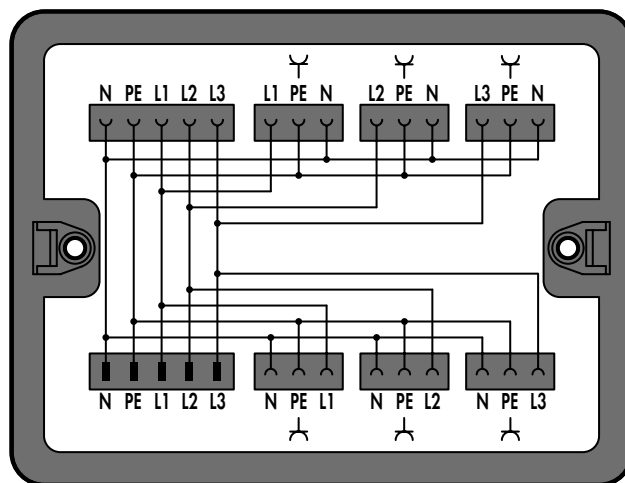
PU = Packaging Unit; SPU = Subpackaging Unit; Dimensions in mm

WINSTA® Boxes ▶ 899 Series**Distribution ▶ Three-Phase to Single-Phase Current (400 V / 230 V)
Through Wiring (5-Pole); 6 Outputs (3-Pole); A-Coding; WINSTA® MIDI****Description**

The phases L₁, L₂ and L₃ of the three-phase current are divided into three single-phase circuits with two outputs each.

Technical Data

Rated voltage (III / 3)	250 V / 400 V
Rated surge voltage (III / 3)	4 kV / 6 kV
Rated current	25 A
Internal wiring	4 mm ²



Distribution box; three-phase to single-phase current (400 V / 230 V)

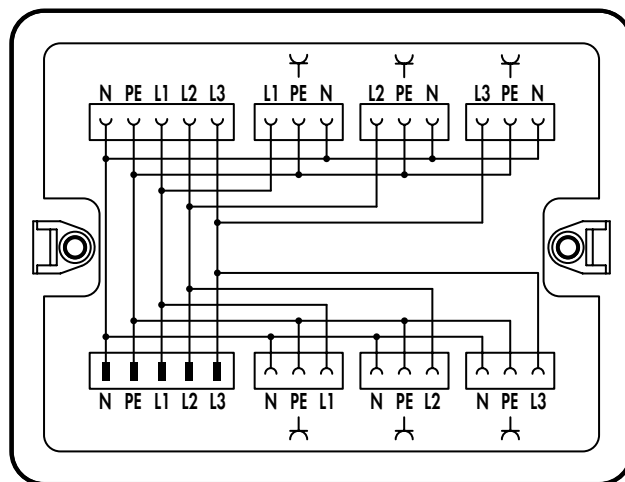
Color	Item No.	PU
● black	899-631/100-000	1

**Distribution ▶ Three-Phase to Single-Phase Current (400 V / 230 V)
Through Wiring (5-Pole); 6 Outputs (3-Pole); A-Coding; WINSTA® MIDI****Description**

The phases L₁, L₂ and L₃ of the three-phase current are divided into three single-phase circuits with two outputs each.

Technical Data

Rated voltage (III / 3)	250 V / 400 V
Rated surge voltage (III / 3)	4 kV / 6 kV
Rated current	25 A
Internal wiring	4 mm ²



Distribution box; three-phase to single-phase current (400 V / 230 V)

Color	Item No.	PU
○ white	899-681/100-000	1

10

WINSTA® Boxes ▶ 899 Series

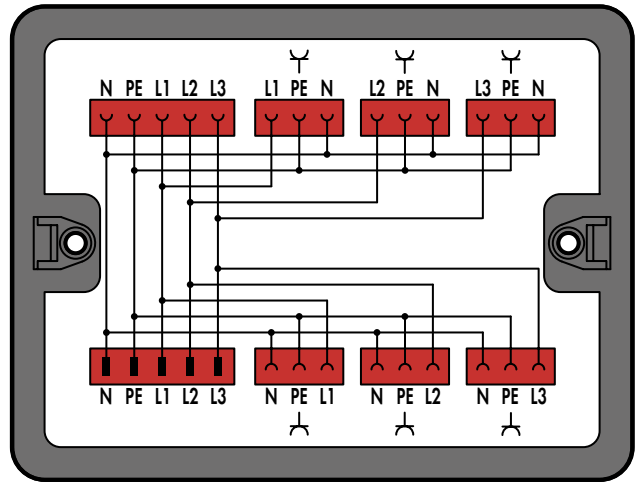
Distribution ▶ Three-Phase to Single-Phase Current (400 V / 230 V) Through Wiring (5-Pole); 6 Outputs (3-Pole); P-Coding; WINSTA® MIDI

Description

The phases L₁, L₂ and L₃ of the three-phase current are divided into three single-phase circuits with two outputs each.

Technical Data

Rated voltage (III / 3)	250 V / 400 V
Rated surge voltage (III / 3)	4 kV / 6 kV
Rated current	25 A
Internal wiring	4 mm ²



Distribution box; three-phase to single-phase current (400 V / 230 V)

Color	Item No.	PU
● black	899-631/186-000	1

Distribution ▶ Three-Phase Current (400 V)

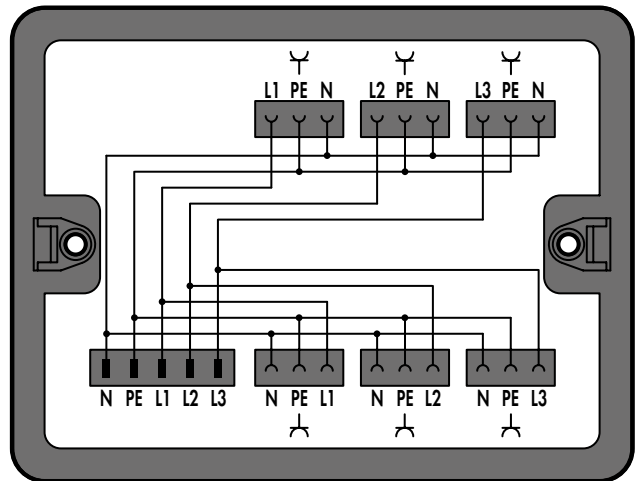
1 Input (5-Pole); 6 Outputs (3-Pole); A-Coding; WINSTA® MIDI

Description

The phases L₁, L₂ and L₃ of the three-phase current are divided into three single-phase circuits with two outputs each.

Technical Data

Rated voltage (III / 3)	250 V / 400 V
Rated surge voltage (III / 3)	4 kV / 6 kV
Rated current	25 A
Internal wiring	4 mm ²



Distribution box; three-phase to single-phase current (400 V / 230 V)

Color	Item No.	PU
● black	899-631/105-000	1

Mounting Page 498

Additional information, see "Technical Section"

Approvals and corresponding ratings, visit www.wago.com

PU = Packaging Unit; SPU = Subpackaging Unit; Dimensions in mm

WINSTA® Boxes ▶ 899 Series**Distribution ▶ Three-Phase to Single-Phase Current (400 V / 230 V)**

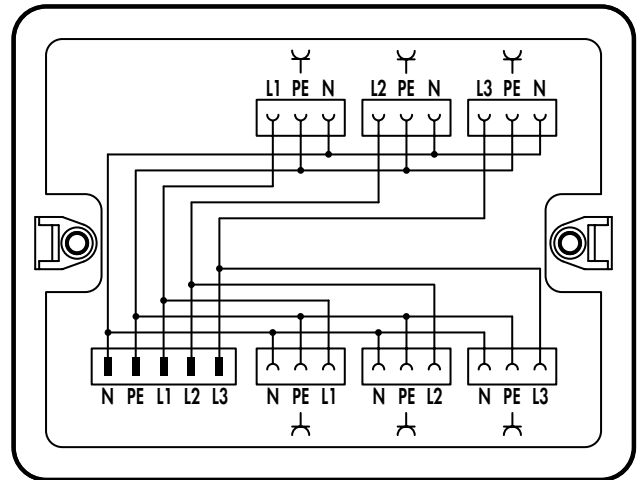
1 Input (5-Pole); 6 Outputs (3-Pole); A-Coding; WINSTA® MIDI

Description

The phases L₁, L₂ and L₃ of the three-phase current are divided into three single-phase circuits with two outputs each.

Technical Data

Rated voltage (III / 3)	250 V / 400 V
Rated surge voltage (III / 3)	4 kV / 6 kV
Rated current	25 A
Internal wiring	4 mm ²



Distribution box; three-phase to single-phase current (400 V / 230 V)

Color	Item No.	PU
○ white	899-681/105-000	1

Distribution ▶ Three-Phase to Single-Phase Current (400 V / 230 V)

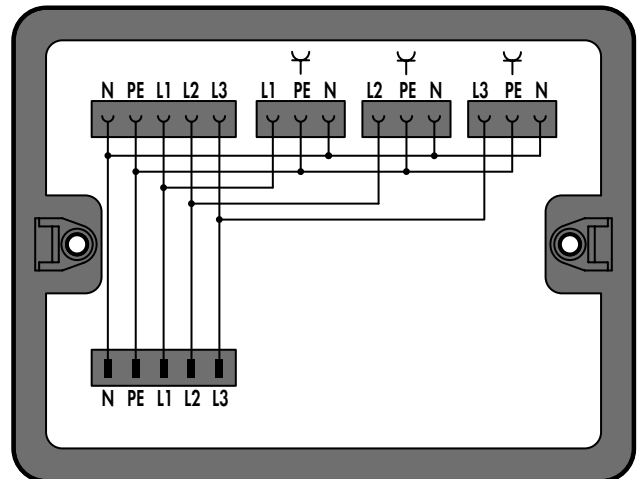
Through Wiring (5-Pole); 3 Outputs (3-Pole); A-Coding; WINSTA® MIDI

Description

The phases L₁, L₂ and L₃ of the three-phase current are divided into three single-phase circuits with two outputs each.

Technical Data

Rated voltage (III / 3)	250 V / 400 V
Rated surge voltage (III / 3)	4 kV / 6 kV
Rated current	25 A
Internal wiring	4 mm ²



Distribution box; three-phase to single-phase current (400 V / 230 V)

Color	Item No.	PU
● black	899-631/346-000	1

10

WINSTA® Boxes ▶ 899 Series

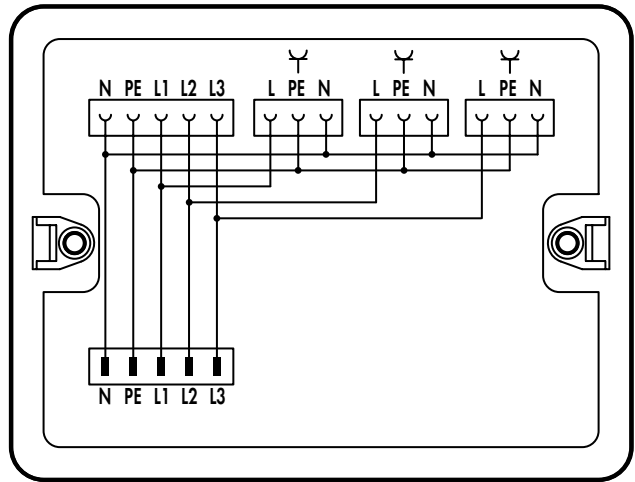
Distribution ▶ Three-Phase to Single-Phase Current (400 V / 230 V) Through Wiring (5-Pole); 3 Outputs (3-Pole); A-Coding; WINSTA® MIDI

Description

The phases L₁, L₂ and L₃ of the three-phase current are divided into three single-phase circuits.

Technical Data

Rated voltage (III / 3)	250 V / 400 V
Rated surge voltage (III / 3)	4 kV / 6 kV
Rated current	20 A
Internal wiring	2.5 mm ²



Distribution box; three-phase to single-phase current (400 V / 230 V)

Color	Item No.	PU
○ white	899-681/142-000	1

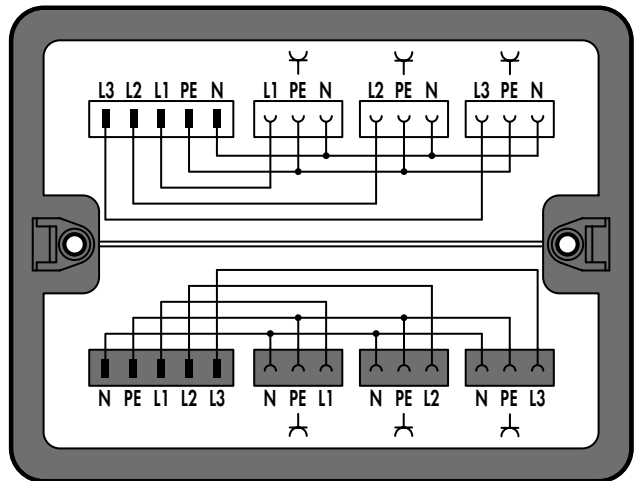
Distribution ▶ Three-Phase to Single-Phase Current (400 V / 230 V) 2 Circuits; 1 Input (Each); 3 Outputs (Each); A-Coding; WINSTA® MIDI

Description

This WINSTA® Distribution Box divides two 3-phase circuits into three single-phase circuits each (e.g., 230 V and EDP outlets).

Technical Data

Rated voltage (III / 3)	250 V / 400 V
Rated surge voltage (III / 3)	4 kV / 6 kV
Rated current	25 A
Internal wiring	4 mm ²



Distribution box; three-phase to single-phase current (400 V / 230 V)

Color	Item No.	PU
● black	899-631/349-000	1

Mounting Page 498

Additional information, see "Technical Section"

Approvals and corresponding ratings, visit www.wago.com

PU = Packaging Unit; SPU = Subpackaging Unit; Dimensions in mm

WINSTA® Boxes ▶ 899 Series**Distribution ▶ Three-Phase to Single-Phase Current (400 V / 230 V)**

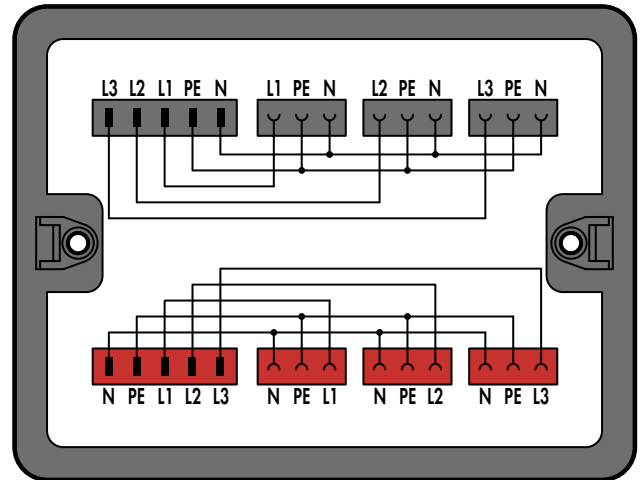
2 Circuits; 1 Input (Each); 3 Outputs (Each); A+P-Coding; WINSTA® MIDI

Description

This WINSTA® Distribution Box divides two 3-phase circuits into three single-phase circuits each (e.g., 230 V and EDP outlets).

Technical Data

Rated voltage (III / 3)	250 V / 400 V
Rated surge voltage (III / 3)	4 kV / 6 kV
Rated current	25 A
Internal wiring	4 mm ²



Distribution box; three-phase to single-phase current (400 V / 230 V)

Color	Item No.	PU
● black	899-631/302-000	1

Distribution ▶ Three-Phase to Single-Phase Current (400 V / 230 V)

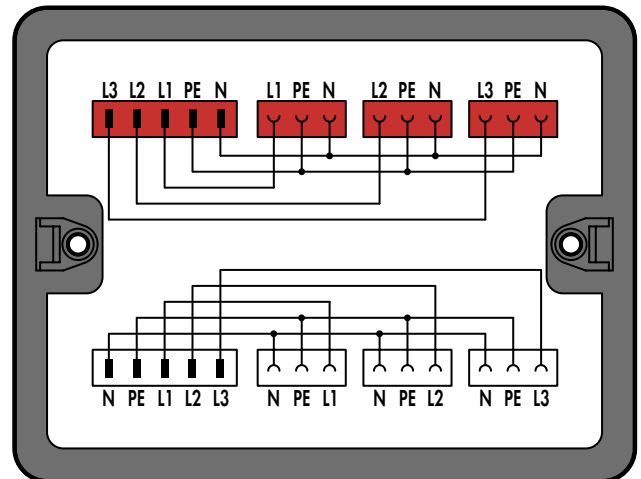
2 Circuits; 1 Input (Each); 3 Outputs (Each); A+P-Coding; WINSTA® MIDI

Description

This WINSTA® Distribution Box divides two 3-phase circuits into three single-phase circuits each (e.g., 230 V and EDP outlets).

Technical Data

Rated voltage (III / 3)	250 V / 400 V
Rated surge voltage (III / 3)	4 kV / 6 kV
Rated current	25 A
Internal wiring	4 mm ²



Distribution box; three-phase to single-phase current (400 V / 230 V)

Color	Item No.	PU
● black	899-631/350-000	1

WINSTA® Boxes ▶ 899 Serie

Distribution ▶ Three-Phase to Single-Phase Current (400 V / 230 V)

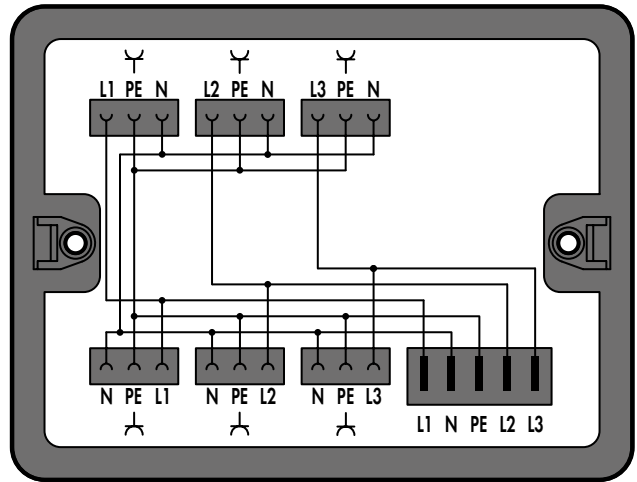
1 Input (5-Pole); 6 Outputs (3-Pole); A-Coding; WINSTA® MIDI; WINSTA® MAXI

Description

This WINSTA® Distribution Box divides a 3-phase circuit into three single-phase circuits with two outputs each. Power supply is performed via 6 mm² cable equipped with a WINSTA® MAXI Connector.

Technical Data

Rated voltage (III / 3)	250 V / 400 V
Rated surge voltage (III / 3)	4 kV / 6 kV
Rated current	25 A
Internal wiring	4 mm ²



Distribution box; three-phase to single-phase current (400 V / 230 V)

Color	Item No.	PU
● black	899-631/149-000	1

Supply Cable Entry ▶ Distribution ▶ Three-Phase to Single-Phase Current (400 V/230 V)

1 Input (Terminal Strip; 5-Pole); 6 Outputs (3-Pole); A-Coding; WINSTA® MIDI

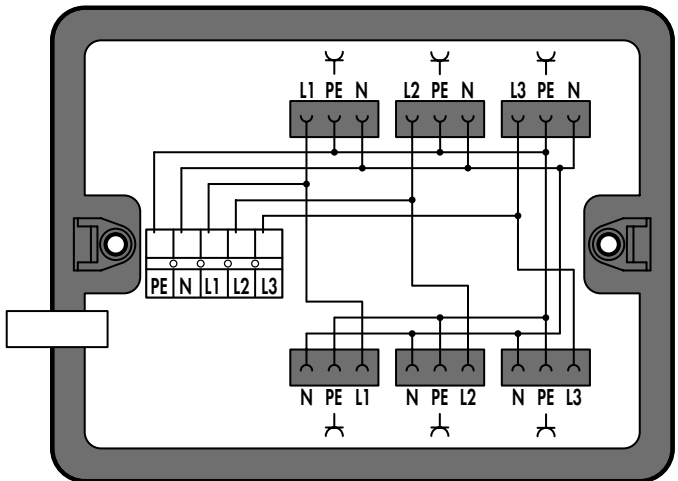
Description

Power supply is performed via standard 5-pole terminal strip. The phases L₁, L₂ and L₃ of the three-phase current are divided into three single-phase circuits with two outputs each.

Includes: One cable clamp and two mounting screws

Technical Data

Rated voltage (III / 3)	250 V / 400 V
Rated surge voltage (III / 3)	4 kV / 6 kV
Rated current	25 A
Internal wiring	4 mm ²



Distribution box; supply cable entry; three-phase to single-phase current (400 V/230 V)

Color	Item No.	PU
● black	899-631/338-000	1

Mounting Page 498

Additional information, see "Technical Section"

Approvals and corresponding ratings, visit www.wago.com

PU = Packaging Unit; SPU = Subpackaging Unit; Dimensions in mm

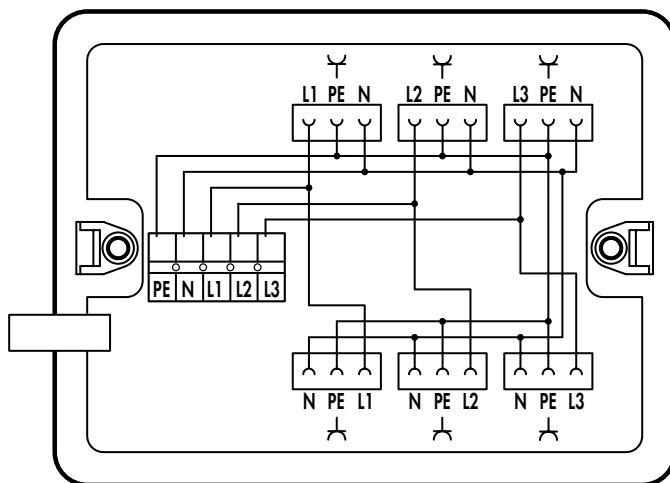
WINSTA® Boxes ▶ 899 Series**Supply Cable Entry ▶ Distribution ▶ Three-Phase to Single-Phase Current (400 V / 230 V)
1 Input (Terminal Strip; 5-Pole); 6 Outputs (3-Pole); A-Coding; WINSTA® MIDI****Description**

Power supply is performed via standard 5-pole terminal strip. The phases L₁, L₂ and L₃ of the three-phase current are divided into three single-phase circuits with two outputs each.

Includes: One cable clamp and two mounting screws

Technical Data

Rated voltage (III / 3)	250 V / 400 V
Rated surge voltage (III / 3)	4 kV / 6 kV
Rated current	25 A
Internal wiring	4 mm ²



Distribution box; supply cable entry; three-phase to single-phase current (400 V/230 V)

Color	Item No.	PU
○ white	899-681/123-000	1

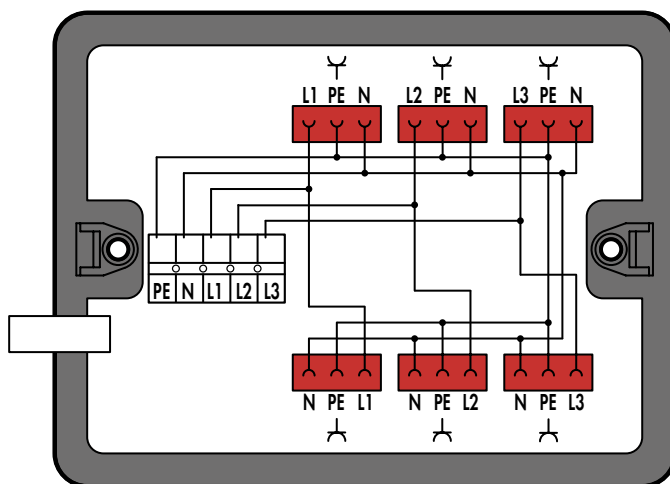
**Supply Cable Entry ▶ Distribution ▶ Three-Phase to Single-Phase Current (400 V/230 V)
1 Input (Terminal Strip; 5-Pole); 6 Outputs (3-Pole); P-Coding; WINSTA® MIDI****Description**

Power supply is performed via standard 5-pole terminal strip. The phases L₁, L₂ and L₃ of the three-phase current are divided into three single-phase circuits with two outputs each.

Includes: One cable clamp and two mounting screws

Technical Data

Rated voltage (III / 3)	250 V / 400 V
Rated surge voltage (III / 3)	4 kV / 6 kV
Rated current	25 A
Internal wiring	4 mm ²



Distribution box; supply cable entry; three-phase to single-phase current (400 V/230 V)

Color	Item No.	PU
● black	899-631/339-000	1

10

WINSTA® Boxes ▶ 899 Series**Supply Cable Entry ▶ Three Networks**

Power Supply (7-Pole); 6 Outputs (3-Pole); A-Coding; WINSTA® MIDI

Description

Power supply is performed directly via connectors using a 7-pole cable. Each phase of the 3-phase current are divided into two outputs.

Power supply is performed to the left or to the right.

Includes: Two cable clamps and four mounting screws

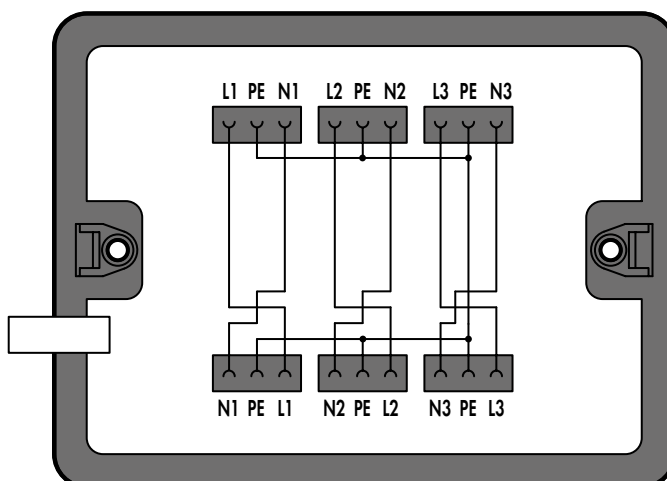
Technical Data

Rated voltage (III / 3)	250 V / 400 V
-------------------------	---------------

Rated surge voltage (III / 3)	4 kV / 6 kV
-------------------------------	-------------

Rated current	25 A
---------------	------

Internal wiring	4 mm ²
-----------------	-------------------



Distribution box; supply cable entry; three networks

Color	Item No.	PU
● black	899-631/450-000	1

Supply Cable Entry ▶ Three Networks

Power Supply (7-Pole); 6 Outputs (3-Pole); A-Coding; WINSTA® MIDI

Description

Power supply is performed directly via connectors using a 7-pole cable. Each phase of the 3-phase current are divided into two outputs.

Power supply is performed to the left or to the right.

Includes: Two cable clamps and four mounting screws

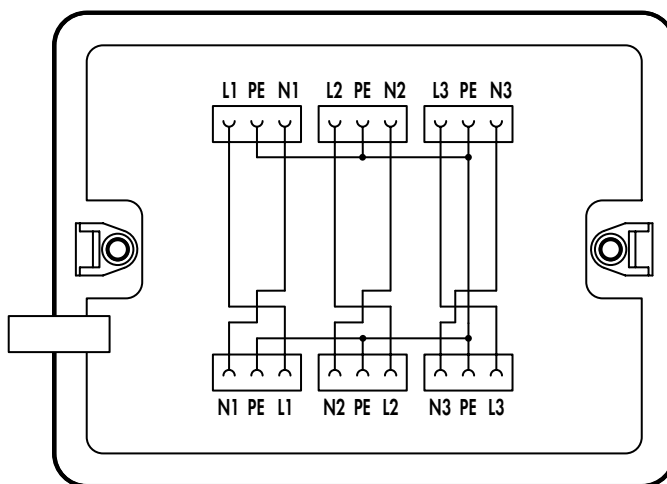
Technical Data

Rated voltage (III / 3)	250 V / 400 V
-------------------------	---------------

Rated surge voltage (III / 3)	4 kV / 6 kV
-------------------------------	-------------

Rated current	25 A
---------------	------

Internal wiring	4 mm ²
-----------------	-------------------



Distribution box; supply cable entry; three networks

Color	Item No.	PU
○ white	899-681/450-000	1

Mounting	Page 498
----------	----------

Additional information, see "Technical Section"

Approvals and corresponding ratings, visit www.wago.com

PU = Packaging Unit; SPU = Subpackaging Unit; Dimensions in mm

WINSTA® Boxes ▶ 899 Series

Supply Cable Entry

Power Supply (10-Pole); 4 Outputs (4-Pole); A-Coding; WINSTA® MIDI

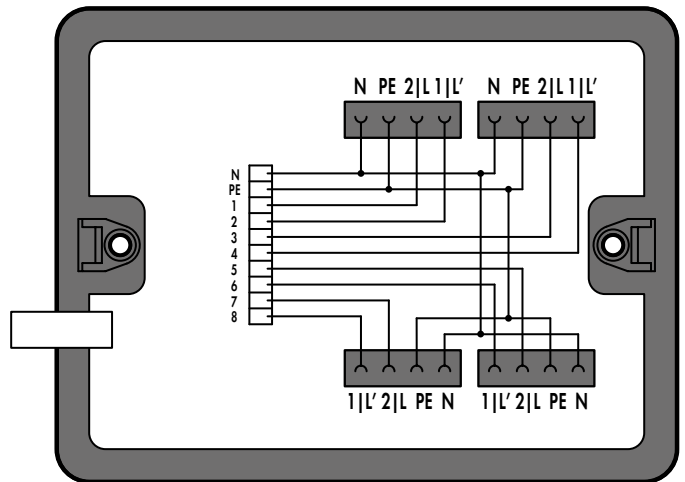
Description

Power supply is performed via 10-pole cable on a terminal strip.
Application example:
Blind drives control

Includes: One cable clamp and two mounting screws

Technical Data

Rated voltage (III / 3)	250 V / 400 V
Rated surge voltage (III / 3)	4 kV / 6 kV
Rated current	16 A
Internal wiring	1.5 mm ²



Distribution box; supply cable entry		
Color	Item No.	PU
● black	899-631/453-000	1

Supply Cable Entry

Power Supply (10-Pole); 8 Outputs (2-Pole); B-Coding; WINSTA® MIDI special

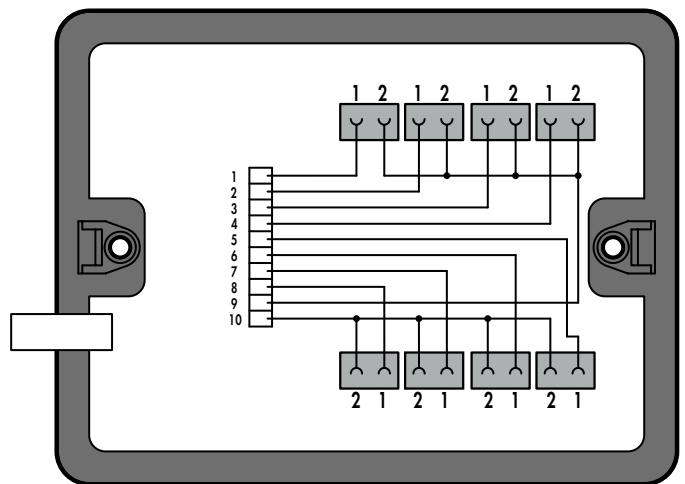
Description

Power supply is performed via 10-pole cable on a terminal strip.
Application example:
Valves control

Includes: One cable clamp and two mounting screws

Technical Data

Rated voltage (III / 3)	250 V / 400 V
Rated surge voltage (III / 3)	4 kV / 6 kV
Rated current	6 A
Internal wiring	0.75 mm ²



Distribution box; supply cable entry		
Color	Item No.	PU
● black	899-631/454-000	1

10

PU = Packaging Unit; SPU = Subpackaging Unit; Dimensions in mm

WINSTA® Boxes ▶ 899 Series

Distribution ▶ 230 V + DALI

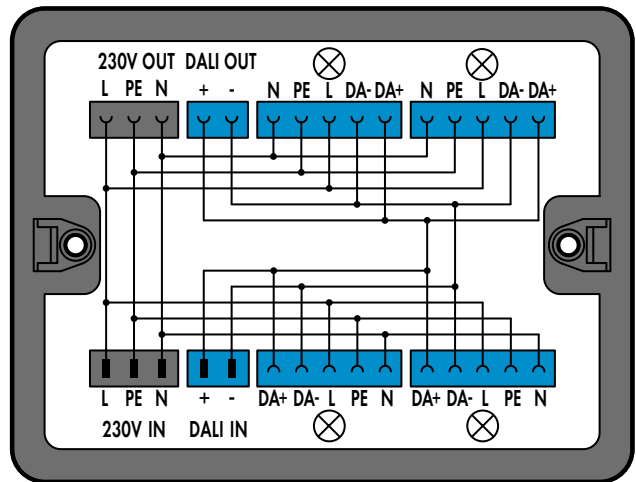
2 Inputs; 6 Outputs; A+I-Coding; WINSTA® MINI; WINSTA® MIDI

Description

This WINSTA® Distribution Box connects to 5-pole DALI lights. Power supply is performed via two cables (230 V and DALI). Both cables are combined into four outputs.

Technical Data

Rated voltage (III / 3)	250 V
Rated surge voltage (III / 3)	4 kV
Rated current	25 A / 16 A
Internal wiring	4 mm ² / 1.5 mm ²



Distribution box; distribution; 230 V + DALI

Color	Item No.	PU
● black	899-631/181-000	1

Distribution ▶ 400 V + DALI

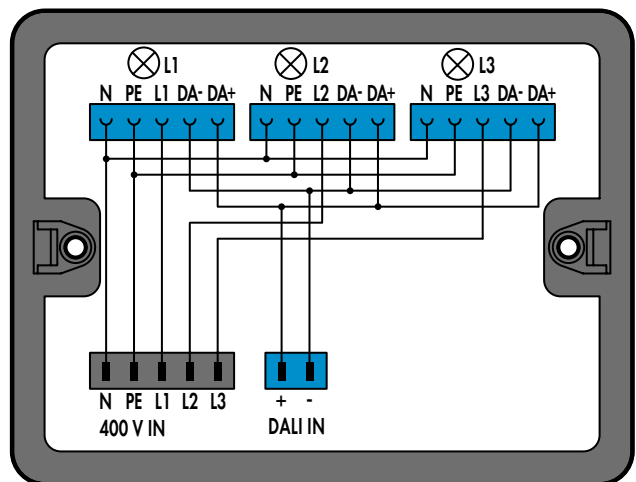
2 Inputs; 6 Outputs; A+I-Coding; WINSTA® MINI; WINSTA® MIDI

Description

This WINSTA® Distribution Box combines the L₁, L₂ and L₃ phases of the 3-phase current with the DALI signal (separate cable).

Technical Data

Rated voltage (III / 3)	250 V / 400 V
Rated surge voltage (III / 3)	4 kV / 6 kV
Rated current	25 A / 16 A
Internal wiring	4 mm ² / 1.5 mm ²



Distribution box; distribution; 400 V + DALI

Color	Item No.	PU
● black	899-631/354-000	1

10

Mounting Page 498

Additional information, see "Technical Section"

Approvals and corresponding ratings, visit www.wago.com

PU = Packaging Unit; SPU = Subpackaging Unit; Dimensions in mm

WINSTA® Boxes ▶ 899 Series**Distribution ▶ 230 V + DALI**

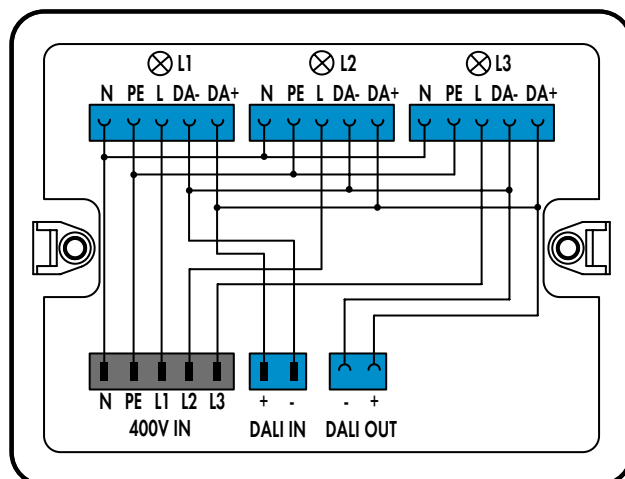
2 Inputs; 4 Outputs; (A+I)-Coding; WINSTA® MINI; WINSTA® MIDI

Description

This WINSTA® Distribution Box combines the L₁, L₂ and L₃ phases of the 3-phase current with the DALI signal (separate cable).

Technical Data

Rated voltage (III / 3)	250 V / 400 V
Rated surge voltage (III / 3)	4 kV / 6 kV
Rated current	25 A / 16 A
Internal wiring	4 mm ² / 1.5 mm ²

**Distribution box; distribution; 400 V + DALI**

Color	Item No.	PU
○ white	899-681/129-000	1

Distribution ▶ 400 V + DALI

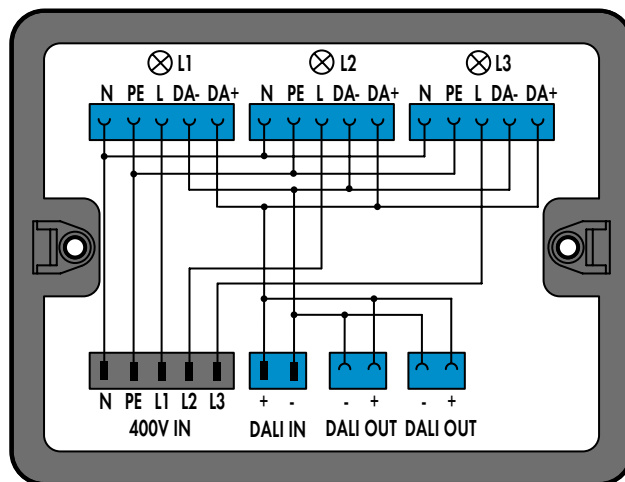
2 Inputs; 5 Outputs; A+I-Coding; WINSTA® MINI; WINSTA® MIDI

Description

This WINSTA® Distribution Box combines the L₁, L₂ and L₃ phases of the 3-phase current with the DALI signal (separate cable).

Technical Data

Rated voltage (III / 3)	250 V / 400 V
Rated surge voltage (III / 3)	4 kV / 6 kV
Rated current	20 A / 16 A
Internal wiring	2.5 mm ² / 1.5 mm ²

**Distribution box; distribution; 400 V + DALI**

Color	Item No.	PU
● black	899-631/455-000	1

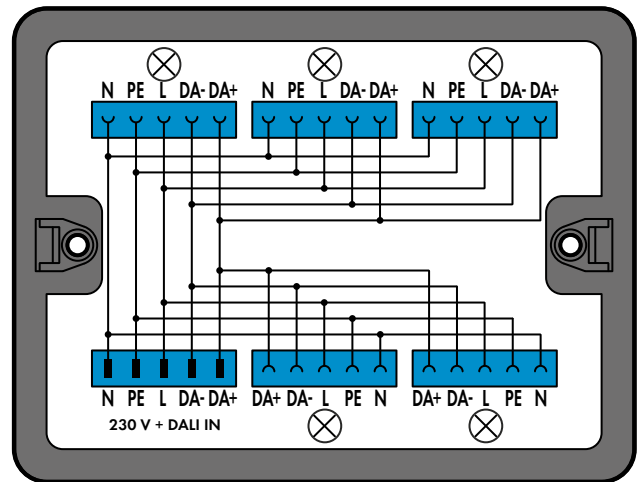
10

WINSTA® Boxes ▶ 899 Serie**Distribution ▶ 230 V + DALI****1 Input; 5 Outputs; I-Coding; WINSTA® MIDI****Description**

This WINSTA® Distribution Box connects to 5-pole DALI lights.
Both 230 V power supply and DALI bus for light scene control are combined into a single line.

Technical Data

Rated voltage (III / 3)	250 V
Rated surge voltage (III / 3)	4 kV
Rated current	20 A
Internal wiring	2.5 mm ²



Distribution box; distribution; 230 V + DALI

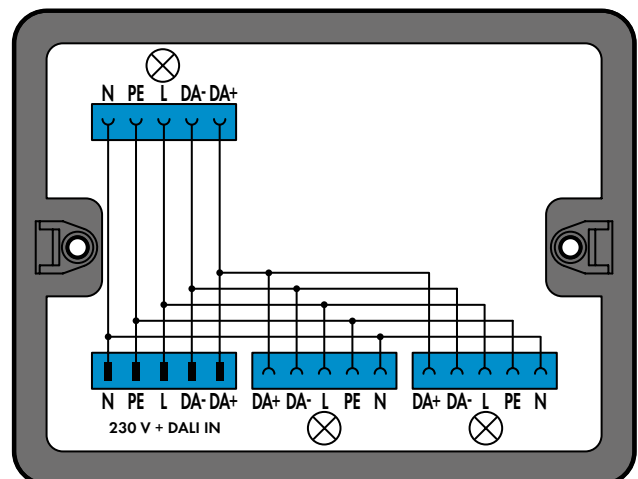
Color	Item No.	PU
● black	899-631/313-000	1

Distribution ▶ 230 V + DALI**1 Input; 3 Outputs; I-Coding; WINSTA® MIDI****Description**

This WINSTA® Distribution Box connects to three DALI lights.

Technical Data

Rated voltage (III / 3)	250 V
Rated surge voltage (III / 3)	4 kV
Rated current	20 A
Internal wiring	2.5 mm ²



Distribution box; distribution; 230 V + DALI

Color	Item No.	PU
● black	899-631/319-000	1

Mounting Page 498

Additional information, see "Technical Section"

Approvals and corresponding ratings, visit www.wago.com

PU = Packaging Unit; SPU = Subpackaging Unit; Dimensions in mm

WINSTA® Boxes ▶ 899 Series

Distribution ▶ 230 V + SMI

2 Inputs; 6 Outputs; A+B-Coding

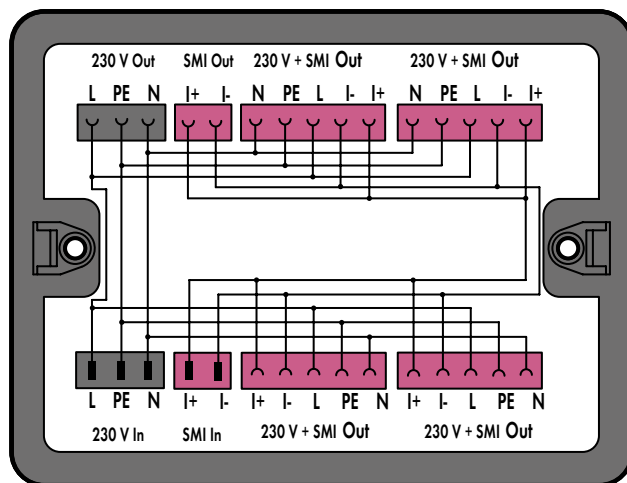
Description

This WINSTA® Distribution Box combines the L₁, L₂ and L₃ phases of the 3-phase current with the DALI signal (separate cable).

WINSTA® MINI special
 WINSTA® MIDI
 WINSTA® MIDI special

Technical Data

Rated voltage (III / 3)	250 V
Rated surge voltage (III / 3)	4 kV
Rated current	25 A / 16 A
Internal wiring	4 mm ² / 1.5 mm ²



Distribution box; distribution; 230 V + SMI

Color	Item No.	PU
● black	899-631/405-000	1

Distribution ▶ 230 V + SMI

2 Inputs; 5 Outputs; A+B-Coding

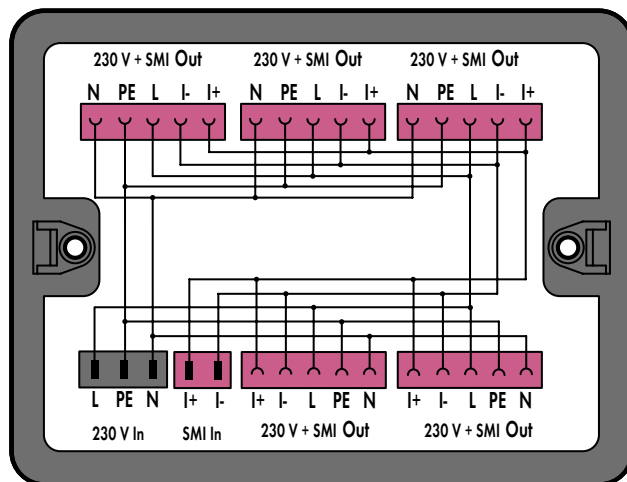
Description

This WINSTA® Distribution Box connects to 5-pole SMI drives. Power supply is performed via two cables (230 V and SMI). Both cables are combined into four outputs.

WINSTA® MINI special
 WINSTA® MIDI
 WINSTA® MIDI special

Technical Data

Rated voltage (III / 3)	250 V
Rated surge voltage (III / 3)	4 kV
Rated current	20 A / 16 A
Internal wiring	2.5 mm ² / 1.5 mm ²



Distribution box; distribution; 230 V + SMI

Color	Item No.	PU
● black	899-631/444-000	1

10

PU = Packaging Unit; SPU = Subpackaging Unit; Dimensions in mm

WINSTA® Boxes ▶ 899 Series

Distribution ▶ 230 V + SMI

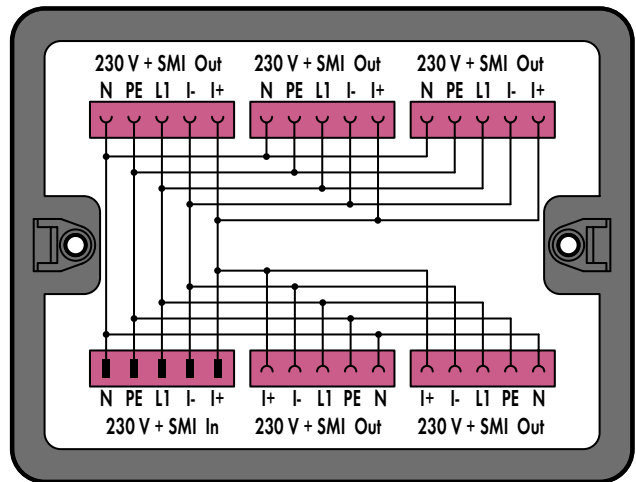
1 Input; 5 Outputs; B-Coding; WINSTA® MIDI special

Description

This WINSTA® Distribution Box connects to 5-pole SMI drives; 230 V power supply and SMI signal are combined into a single line.

Technical Data

Rated voltage (III / 3)	250 V
Rated surge voltage (III / 3)	4 kV
Rated current	20 A / 16 A
Internal wiring	2.5 mm ² / 1.5 mm ²



Distribution box; distribution; 230 V + SMI

Color	Item No.	PU
● black	899-631/421-000	1

Motion and Presence Detectors ▶ ESYLUX

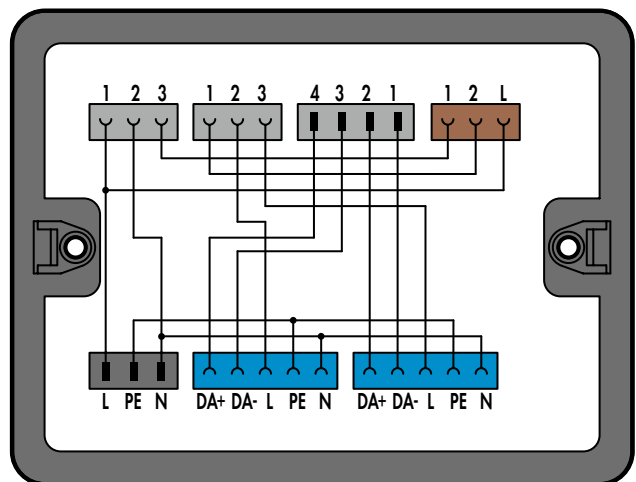
2 Inputs; 5 Outputs; A-, B-, I-, S-Coding; WINSTA® MINI

Description

This WINSTA® Distribution Box connects to ESYLUX presence detectors.

Technical Data

Rated voltage (III / 3)	250 V
Rated surge voltage (III / 3)	4 kV
Rated current	20 A
Internal wiring	2.5 mm ²



Distribution box; motion and presence detectors; ESYLUX

Color	Item No.	PU
● black	899-631/442-000	1

Mounting Page 498

Additional information, see "Technical Section"

Approvals and corresponding ratings, visit www.wago.com

PU = Packaging Unit; SPU = Subpackaging Unit; Dimensions in mm

WINSTA® Boxes ▶ 899 Series

Motion and Presence Detectors ▶ ESYLUX

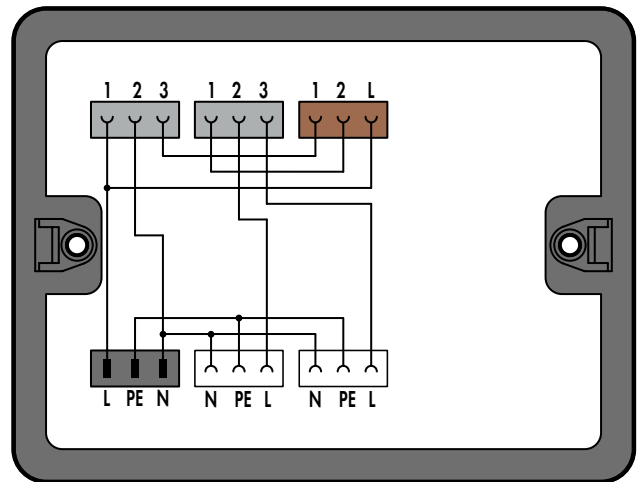
1 Input; 5 Outputs; A-, B-, S-Coding; WINSTA® MIDI

Description

This WINSTA® Distribution Box connects to ESYLUX presence detectors.

Technical Data

Rated voltage (III / 3)	250 V
Rated surge voltage (III / 3)	4 kV
Rated current	20 A
Internal wiring	2.5 mm ²



Distribution box; motion and presence detectors; ESYLUX

Color	Item No.	PU
● black	899-631/443-000	1

Motion and Presence Detectors

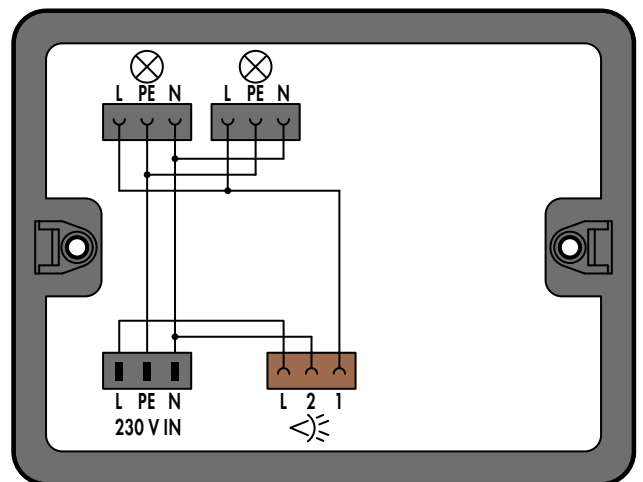
1 Input; 2 Lights; 1 Motion Detector; A+S-Coding ; WINSTA® MIDI

Description

This WINSTA® Distribution Box connects to one motion detector and two lights.

Technical Data

Rated voltage (III / 3)	250 V
Rated surge voltage (III / 3)	4 kV
Rated current	25 A
Internal wiring	4 mm ²



Distribution box; motion and presence detectors

Color	Item No.	PU
● black	899-631/309-000	1

WINSTA® Boxes ▶ 899 Series

Motion and Presence Detectors

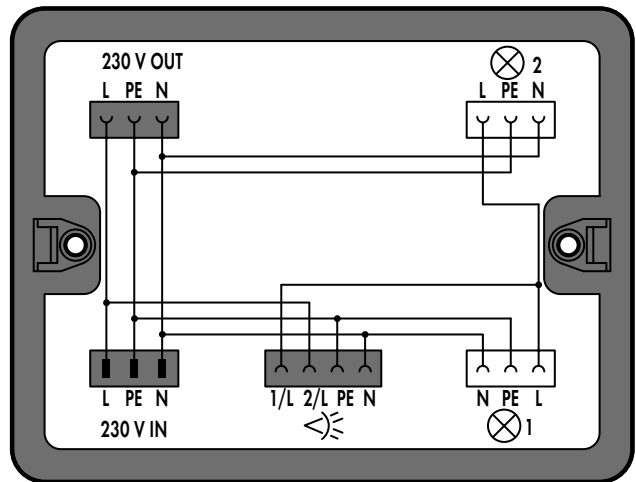
Through Wiring (3-Pole); 2 Lights; 1 Motion Detector; A-Coding; WINSTA® MIDI

Description

This WINSTA® Distribution Box connects to one motion detector and two lights.

Technical Data

Rated voltage (III / 3)	250 V
Rated surge voltage (III / 3)	4 kV
Rated current	25 A
Internal wiring	4 mm ²



Distribution box; motion and presence detectors

Color	Item No.	PU
● black	899-631/374-000	1

Motion and Presence Detectors

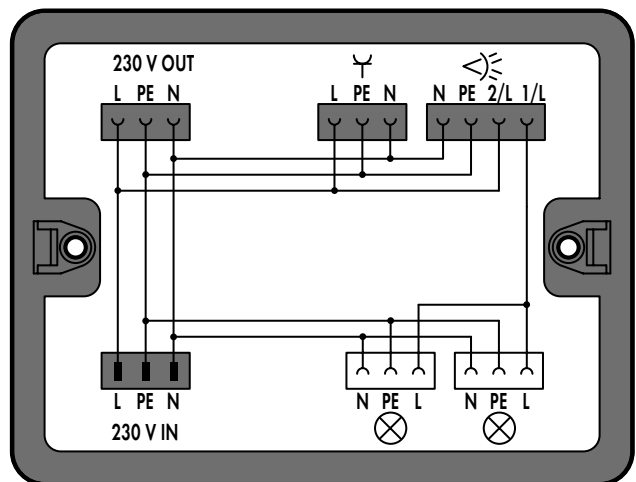
Through Wiring (3-Pole); 2 Lights; 1 Motion Detector; A-Coding; WINSTA® MIDI

Description

This WINSTA® Distribution Box connects to one motion detector, two lights and one outlet.

Technical Data

Rated voltage (III / 3)	250 V
Rated surge voltage (III / 3)	4 kV
Rated current	25 A
Internal wiring	4 mm ²



Distribution box; motion and presence detectors

Color	Item No.	PU
● black	899-631/180-000	1

Mounting Page 498

Additional information, see "Technical Section"

Approvals and corresponding ratings, visit www.wago.com

PU = Packaging Unit; SPU = Subpackaging Unit; Dimensions in mm

WINSTA® Boxes ▶ 899 Series

On/Off Switching

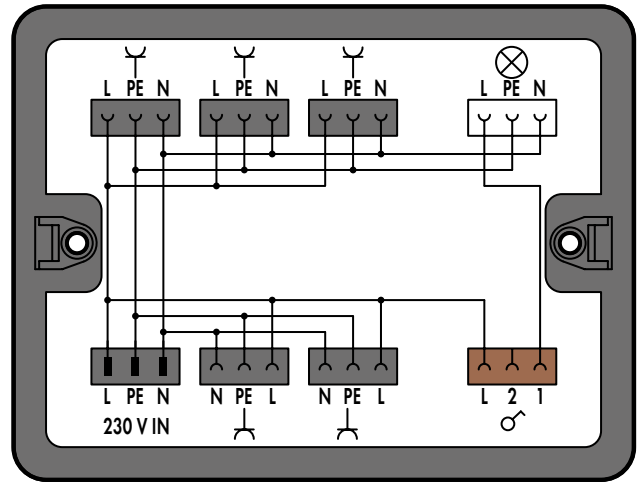
1 Input; 5 Outputs; 1 Light; 1 Switch; A+S-Coding; WINSTA® MIDI

Description

This WINSTA® Box features one on/off switch for five power outlets and one light.

Technical Data

Rated voltage (III / 3)	250 V
Rated surge voltage (III / 3)	4 kV
Rated current	25 A
Internal wiring	4 mm ²



Distribution box; on/off switching

Color	Item No.	PU
● black	899-631/304-000	1

On/Off Switching

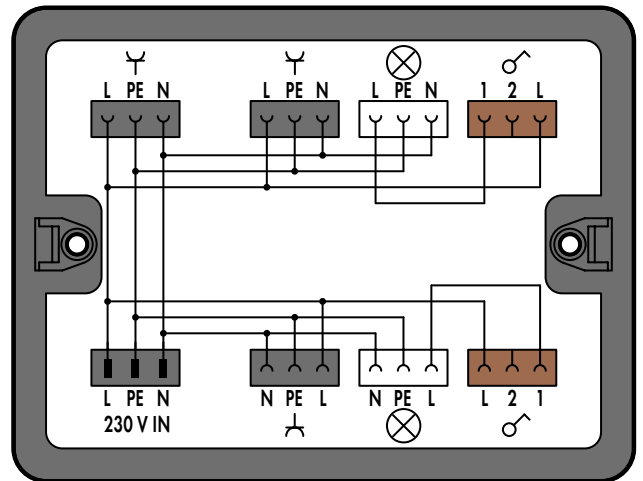
1 Input; 3 Outputs; 2 Lights; 2 Switches; A+S-Coding ; WINSTA® MIDI

Description

This WINSTA® Distribution Box features two on/off switches for three power outlets and two lights.

Technical Data

Rated voltage (III / 3)	250 V
Rated surge voltage (III / 3)	4 kV
Rated current	25 A
Internal wiring	4 mm ²



Distribution box; on/off switching

Color	Item No.	PU
● black	899-631/123-000	1

WINSTA® Boxes ▶ 899 Series

On/Off Switching

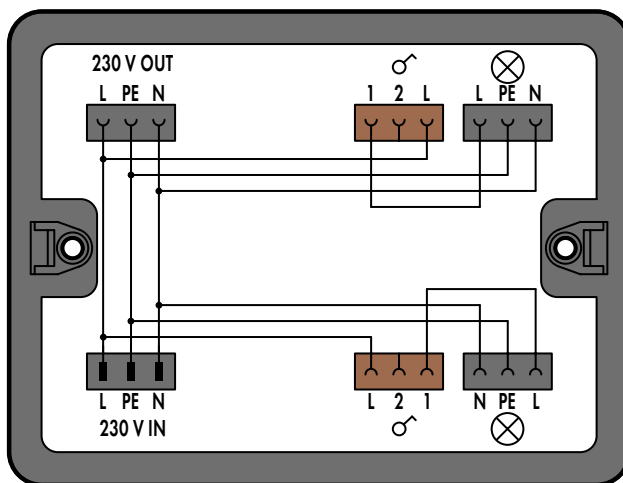
1 Input; 1 Output; 2 Lights; 2 Switches; A+S-Coding; WINSTA® MIDI

Description

This WINSTA® Distribution Box features two on/off switches for one light each.

Technical Data

Rated voltage (III / 3)	250 V
Rated surge voltage (III / 3)	4 kV
Rated current	25 A
Internal wiring	4 mm ²



Distribution box; on/off switching

Color	Item No.	PU
● black	899-631/363-000	1

Series Switching

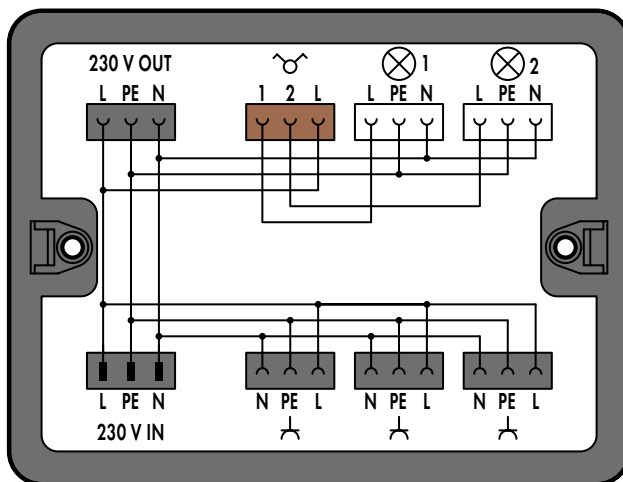
1 Input; 4 Outputs; 2 Lights; 1 Switch; A+S-Coding ; WINSTA® MIDI

Description

This WINSTA® Distribution Box features one series switch and is designed for through wiring and outlet connections.

Technical Data

Rated voltage (III / 3)	250 V
Rated surge voltage (III / 3)	4 kV
Rated current	25 A
Internal wiring	4 mm ²



Distribution box; series switching

Color	Item No.	PU
● black	899-631/130-000	1

10

Mounting Page 498

Additional information, see "Technical Section"

Approvals and corresponding ratings, visit www.wago.com

PU = Packaging Unit; SPU = Subpackaging Unit; Dimensions in mm

WINSTA® Boxes ▶ 899 Series

Series Switching

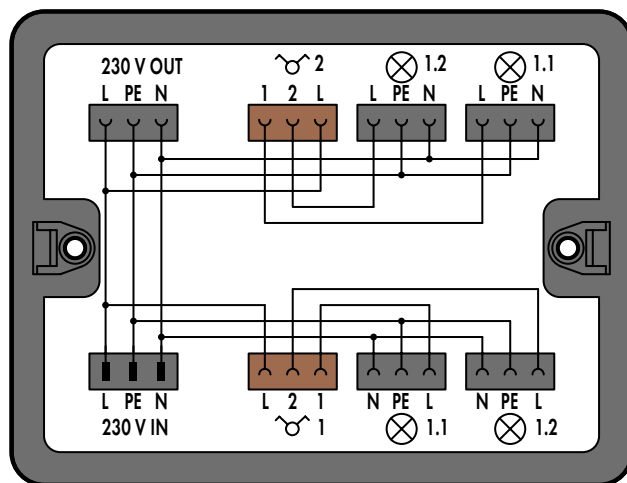
1 Input; 1 Output; 4 Lights; 2 Switches; A+S-Coding; WINSTA® MIDI

Description

This WINSTA® Distribution Box features two series switches with pluggable connectors.

Technical Data

Rated voltage (III / 3)	250 V
Rated surge voltage (III / 3)	4 kV
Rated current	25 A
Internal wiring	4 mm ²



Distribution box; series switching

Color	Item No.	PU
● black	899-631/386-000	1

Changeover Switching

1 Input; 3 Outputs; 2 Lights; 2 Switches; A+S-Coding ; WINSTA® MIDI

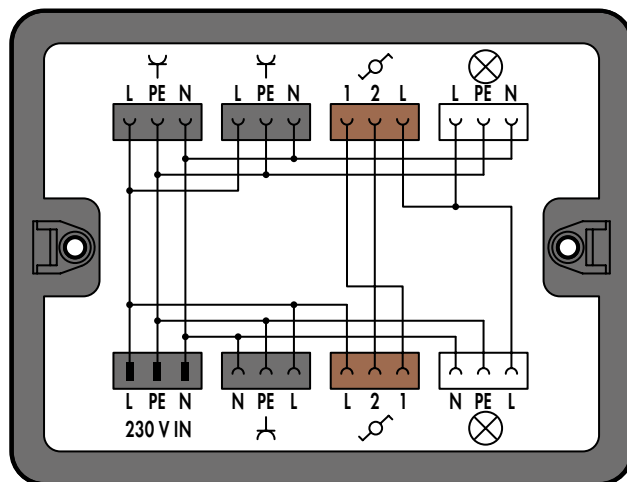
Description

This WINSTA® Distribution Box features two changeover switches and connects to three power outlets.

The distribution box is fitted on the 770-680 Mounting Plate.

Technical Data

Rated voltage (III / 3)	250 V
Rated surge voltage (III / 3)	4 kV
Rated current	25 A
Internal wiring	4 mm ²



Distribution box; on/off switching

Color	Item No.	PU
● black	899-631/189-000	1

WINSTA® Boxes ▶ 899 Series

Changeover Switching

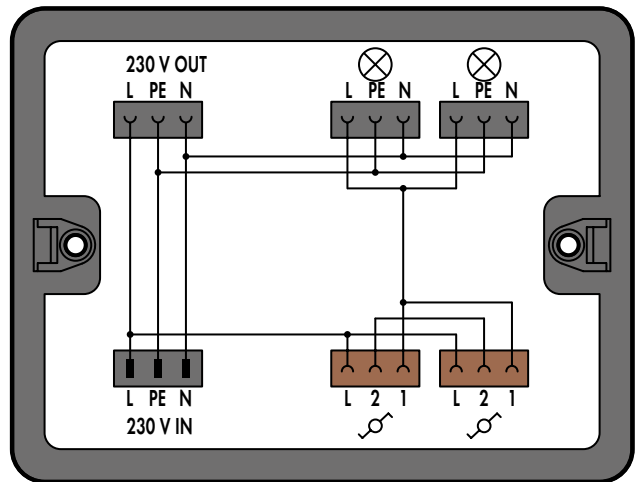
1 Input; 1 Output; 2 Lights; 2 Switches; A+S-Coding; WINSTA® MIDI

Description

This WINSTA® Distribution Box features two economy changeover switches for two lights.

Technical Data

Rated voltage (III / 3)	250 V
Rated surge voltage (III / 3)	4 kV
Rated current	25 A
Internal wiring	4 mm ²



Distribution box; changeover switching

Color	Item No.	PU
● black	899-631/308-000	1

Crossover Switching

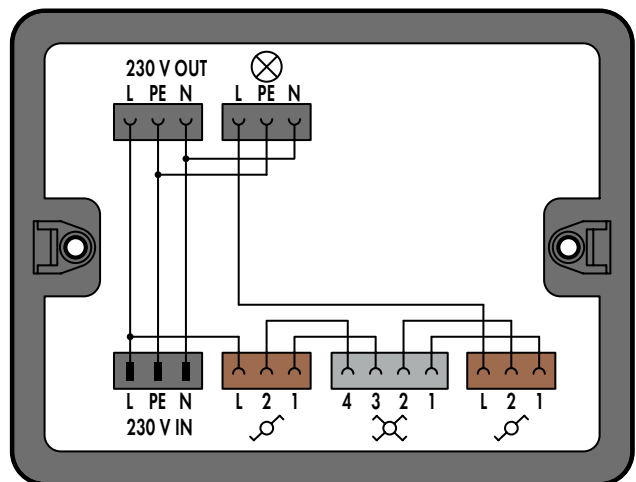
1 Input; 1 Output; 1 Light; 3 Switches; A+B+S-Coding; WINSTA® MIDI

Description

This WINSTA® Distribution Box features one crossover switch.

Technical Data

Rated voltage (III / 3)	250 V
Rated surge voltage (III / 3)	4 kV
Rated current	25 A
Internal wiring	4 mm ²



Distribution box; crossover switching

Color	Item No.	PU
● black	899-631/305-000	1

Mounting Page 498

Additional information, see "Technical Section"

Approvals and corresponding ratings, visit www.wago.com

PU = Packaging Unit; SPU = Subpackaging Unit; Dimensions in mm

WINSTA® Boxes ▶ 899 Series

Cable and Device Protection

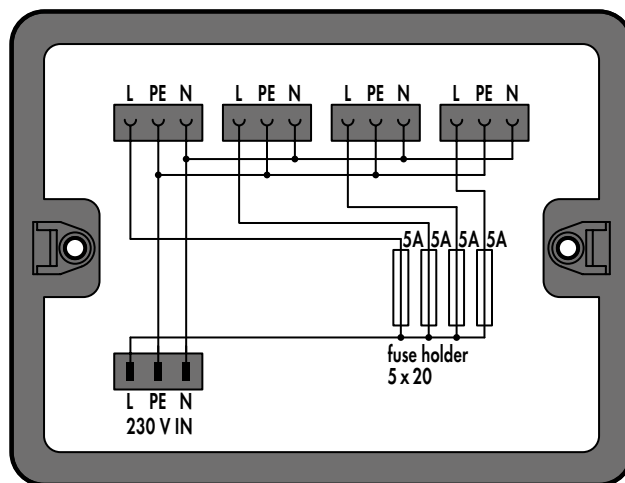
1 Input; 4 Outputs; A-Coding; WINSTA® MIDI

Description

This WINSTA® Distribution Box protects four components within a device (5 x 20 mm fuse holder). Power supply is performed using a 3-pole connecting cable.

Technical Data

Rated voltage (III / 3)	250 V
Rated surge voltage (III / 3)	4 kV
Rated current	5 A
Internal wiring	2.5 mm ²



Distribution box; series switching

Color	Item No.	PU
● black	899-631/315-000	1

Surge Protection (Type 3)

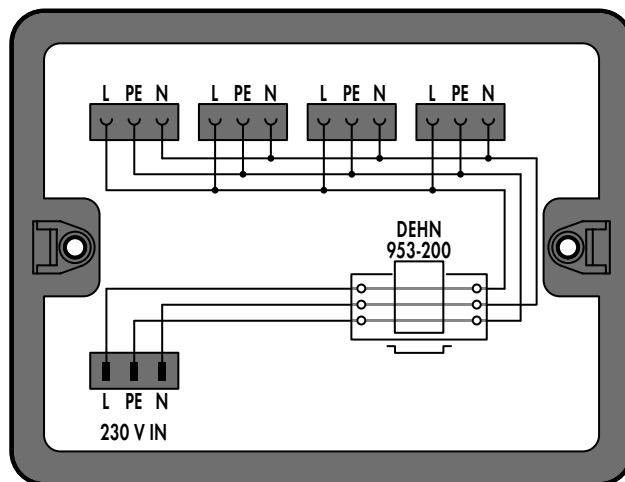
1 Input; 4 Outputs; A-Coding; WINSTA® MIDI

Description

This WINSTA® Distribution Box is equipped with a "Type 3" surge suppression device (DEHN 953 200) allowing four 3-pole pluggable outputs to be protected. Power supply is performed using a 3-pole connecting cable.

Technical Data

Rated voltage (III / 3)	250 V
Rated surge voltage (III / 3)	4 kV
Rated current	20 A
Internal wiring	2.5 mm ²



Distribution box; surge protection (type 3)

Color	Item No.	PU
● black	899-632/182-000	1

10

WINSTA® Boxes ▶ 899 Series

Switching with Latching Relay

1 Input; 1 Light; 3 Push-Buttons; A+S-Coding; WINSTA® MIDI

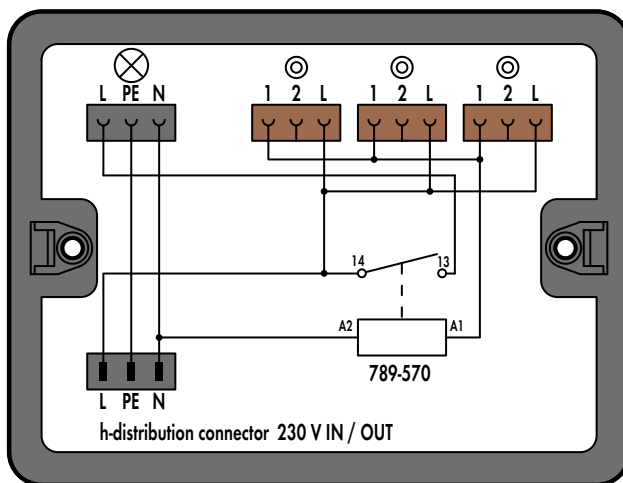
Description

This WINSTA® Distribution Box features one latching relay (three push-buttons, one light). Power supply (230 V, through wiring) is performed using the provided h-distribution connector.

Includes: One 770-633 h-Distribution Connector

Technical Data

Rated voltage (III / 3)	250 V
Rated surge voltage (III / 3)	4 kV
Rated current	16 A
Internal wiring	2.5 mm ²



Distribution box; switching with latching relay

Color	Item No.	PU
● black	899-632/101-000	1

Switching with Latching Relay

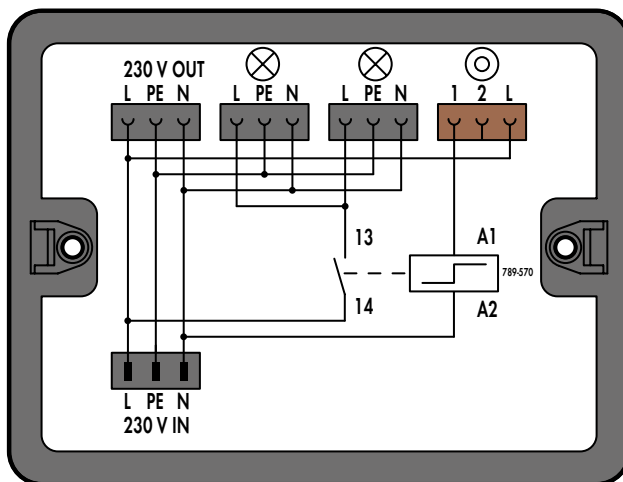
Through Wiring (3-Pole); 2 Outputs; 1 Push-Button; A+S-Coding; WINSTA® MIDI

Description

This WINSTA® Distribution Box features one latching relay (one push-button, two lights).

Technical Data

Rated voltage (III / 3)	250 V
Rated surge voltage (III / 3)	4 kV
Rated current	16 A
Internal wiring	4 mm ² / 2.5 mm ²



Distribution box; switching with latching relay

Color	Item No.	PU
● black	899-632/199-000	1

10

Mounting Page 498

Additional information, see "Technical Section"

Approvals and corresponding ratings, visit www.wago.com

PU = Packaging Unit; SPU = Subpackaging Unit; Dimensions in mm

WINSTA® Boxes ▶ 899 Series**Switching with Latching Relay**

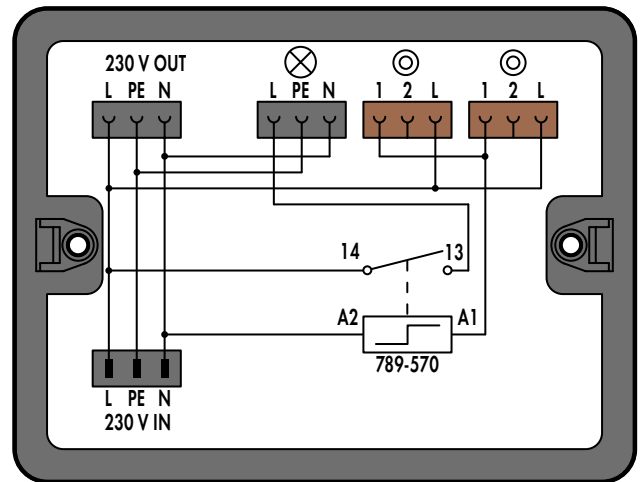
Through Wiring (3-Pole); 1 Light; 2 Push-Buttons; A+S-Coding ; WINSTA® MIDI

Description

This WINSTA® Distribution Box features one latching relay (two push-buttons, one light).

Technical Data

Rated voltage (III / 3)	250 V
Rated surge voltage (III / 3)	4 kV
Rated current	25 A / 16 A
Internal wiring	4 mm ² / 2.5 mm ²

**Distribution box; switching with latching relay**

Color	Item No.	PU
● black	899-632/138-000	1

WINSTA® Boxes ▶ 899 Series Distribution Box for Self-Assembly

Description

This WINSTA® Distribution Box is designed for custom assembly/wiring and includes:
1 bottom; 1 lid; 2 sidewalls and 16 MIDI mounting pins.



Distribution box for self-assembly		
Color	Item No.	PU
● black	899-631	1
○ white	899-681	1

Distribution Box for Self-Assembly

Description

This WINSTA® Distribution Box is designed for custom wiring with an electronic module (1 module on DIN-35 rail) and includes:
1 bottom; 1 lid; 1 sidewall; 1 sidewall with DIN-35 rail and 10 MIDI mounting pins.



Distribution box for self-assembly		
Color	Item No.	PU
● black	899-632	1
○ white	899-682	1

Mounting Page 498

Additional information, see "Technical Section"







Approvals and corresponding ratings, visit www.wago.com

PU = Packaging Unit; SPU = Subpackaging Unit; Dimensions in mm



WAGO Accessories and WAGO Tools

WAGO Accessories and WAGO Tools

	Page
	WAGOSTRIP® MINI and MINI special; 890 Series Accessories 480
	WAGOSTRIP® MIDI and MIDI special; 770 Series Accessories 485
	WAGOSTRIP® IDC; 772, 895 and 897 Series Accessories 499
	WAGOSTRIP® Boxes; 899 Series Accessories 498
	Tools
	Operating Tools 506
	Wire strippers 508
	Stripping Pliers, Cable Cutters, Stripping Knives 509
	Cable cutters 510
	Marking
	Markers 511
	Self-Adhesive Marking Strips 511

Accessories ▶ WINSTA® MINI, WINSTA® MINI special ▶ 890, 891 Series



Locking lever; for flying leads; manually operated		
Color	Item No.	PU (SPU)
black	890-101	100(50)
white	890-121	100(50)



Mounting adapter; for 2- to 5-pole for flying leads		
Color	Item No.	PU
black	890-310	100
white	890-311	100



Lockout cap; for cutout; 2-pole		
Color	Item No.	PU
black	890-642	100
white	890-692	100



Locking lever; for flying leads; tool operated		
Color	Item No.	PU (SPU)
black	890-111	100(50)
white	890-131	100(50)

Lockout cap; for cutout; 3-pole		
Color	Item No.	PU
black	890-643	100
white	890-693	100

Lockout cap; for cutout; 4-pole		
Color	Item No.	PU
black	890-644	100
white	890-694	100

Lockout cap; for cutout; 5-pole		
Color	Item No.	PU
black	770-643	100
white	770-693	100

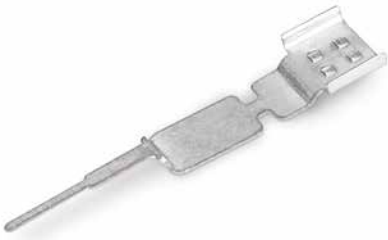


All connectors for mounted installations (snap-in versions, pluggable PCB connectors, distribution connectors) are factory-equipped with locking levers to ensure plugs and sockets are securely locked. Additional locking levers are only required for "flying leads" (plug/socket).

Locking connector via integrated lever.
Locking second connector for a secure connection.

Seal unused cutout with lockout cap.

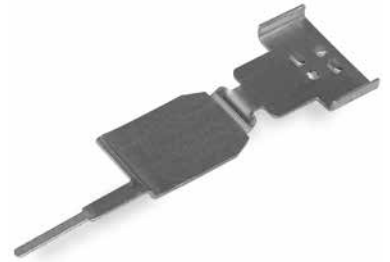
Accessories ▶ WINSTA® MINI, WINSTA® MINI special ▶ 890 Series



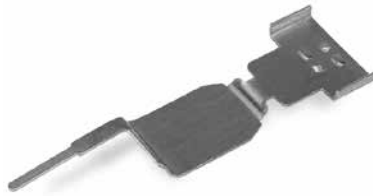
Shield connecting plate; for 3-pole plugs and sockets		
Item No.	PU	
890-523	50	



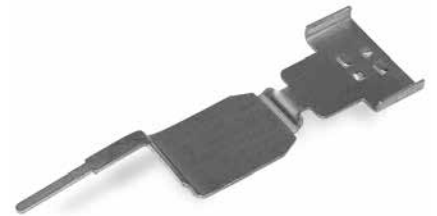
Shield connecting plate; for socket; 4-pole		
Item No.	PU	
890-524	50	



Shield connecting plate; for socket; 5-pole		
Item No.	PU	
890-526	50	



Shield connecting plate; for plug; 4-pole		
Item No.	PU	
890-525	50	



Shield connecting plate; for plug; 5-pole		
Item No.	PU	
890-527	50	



Connector with shield termination

Accessories ▶ WINSTA® MINI, WINSTA® MINI special ▶ 890 / 891 Series



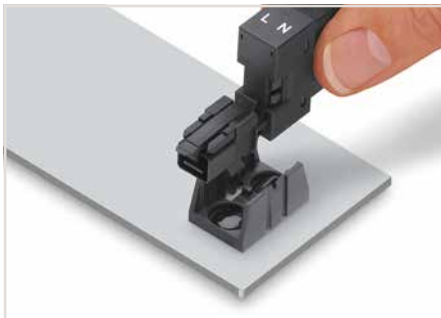
Mounting plate for distribution connector; 2-pole		
Color	Item No.	PU
black	890-1622	100
white	890-1672	100

Mounting pin; for mounting plates; 5 mm Ø; 0.2 ... 1.2 mm plate thickness		
Color	Item No.	PU
black	890-601	250

Mounting plate; for distribution connector; 3-pole		
Color	Item No.	PU
black	890-623	100
white	890-673	100

Mounting plate; for distribution connector; 4-pole		
Color	Item No.	PU
black	890-624	50
white	890-674	50

Mounting plate; for distribution connector; 5-pole		
Color	Item No.	PU
black	890-625	50
white	890-675	50



The distribution connectors snap together when attached to the mounting plate.



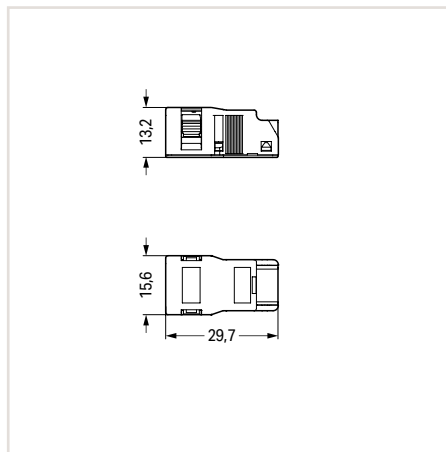
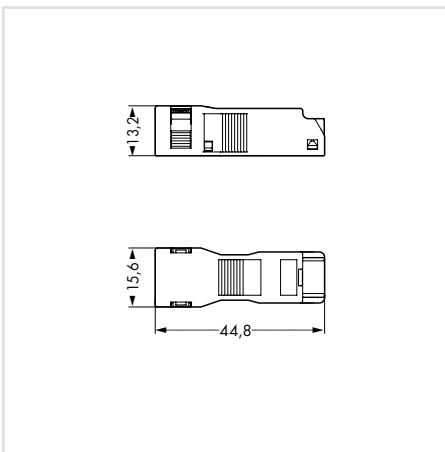
Secure the mounting plate via pins.

Accessories ▶ WINSTA® MINI, WINSTA® MINI special ▶ 890 Series



Strain relief housing; for 3.8 ... 8.2 mm cable diameter; 32 mm strip length		
Color	Item No.	PU
black	890-502	50
white	890-512	50

Strain relief housing; short; for 3.8 ... 8.2 mm cable diameter; 17.5 mm strip length		
Color	Item No.	PU
black	890-502/342-000	50
white	890-512/342-000	50



PU = Packaging Unit; SPU = Subpackaging Unit; Dimensions in mm

Accessories ▶ WINSTA® MINI, WINSTA® MINI special ▶ 890 Series



Strain relief housing; for 4.5 ... 10 mm cable diameter; 40 mm strip length

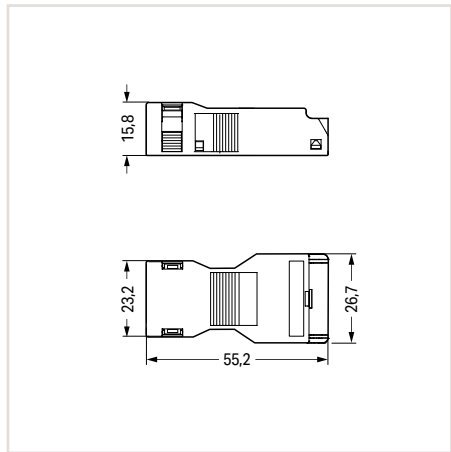
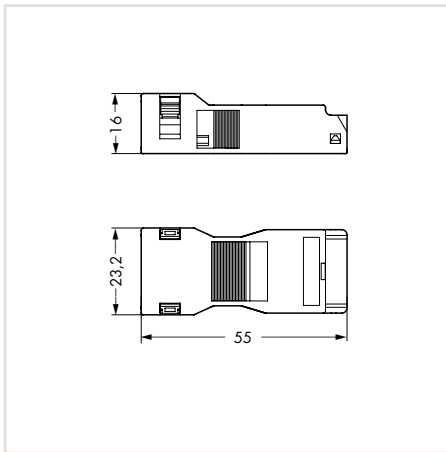
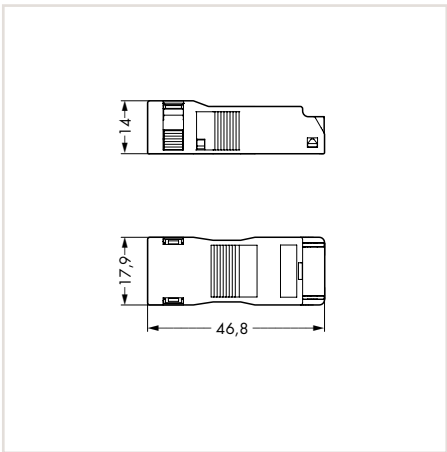
Color	Item No.	PU
black	890-503	50
white	890-513	50

Strain relief housing; for 6.5 ... 10.5 mm cable diameter; 45 mm strip length

Color	Item No.	PU
black	890-504	50
white	890-514	50

Strain relief housing; for 6.5 ... 10.5 mm cable diameter; 45 mm strip length

Color	Item No.	PU
black	890-505	50
white	890-515	50



Accessories ▶ WINSTA® MIDI, WINSTA® MIDI special ▶ 770, 771 Series



Locking lever; for flying leads; manually operated		
Color	Item No.	PU (SPU)
black	770-101	100(25)
white	770-121	100(25)

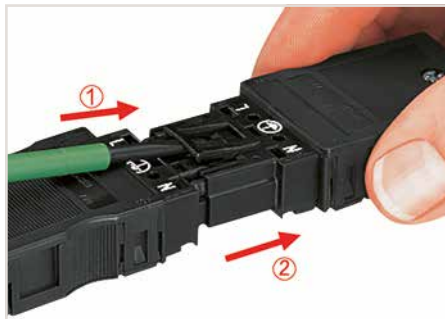
Locking lever; for flying leads; tool operated		
Color	Item No.	PU (SPU)
black	770-111	100(25)
white	770-131	100(25)

Locking lever; oversized; tool operated		
Color	Item No.	PU (SPU)
gray	770-140	100(25)



Locking lever, manually operated:

- Push on locking lever
- Pull the connectors apart



Locking lever, tool operated:

- Unlatch locking lever
- Pull the connectors apart



Snap-in connector with protruding locking lever

Accessories ▶ WINSTA® MIDI, WINSTA® MIDI special ▶ 770, 771 Series



Coding pin; for plug (A- and B-coding)		
Color	Item No.	PU
gray	770-401	100



Lockout cap; for socket; separable; 12-pole		
Color	Item No.	PU
black	770-201	100
white	770-221	100



Lockout cap; for cutout; 3-pole		
Color	Item No.	PU
black	770-643	100
white	770-693	100



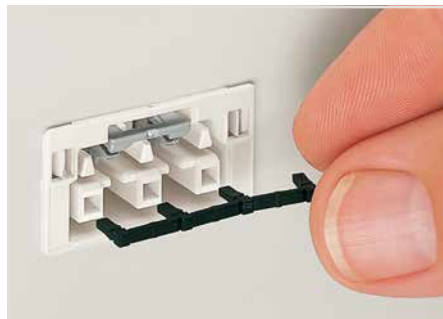
Lockout cap; for cutout; 4-pole		
Color	Item No.	PU
black	770-644	100
white	770-694	100

Lockout cap; for plug; separable; 5-pole		
Color	Item No.	PU
gelb	770-360	100

Lockout cap; for cutout; 5-pole		
Color	Item No.	PU
black	770-645	100
white	770-695	100



Insert coding pin into the plug.



Seal an unmated socket by simply inserting a lockout cap. This prevents the smallest particles from entering the socket.



Seal unused cutout with lockout cap.

Accessories ▶ WINSTA® MIDI, WINSTA® MIDI special ▶ 770 Series



Mounting adapter; for T-distribution connector; 5-pole		
Item No.	PU	
770-354	50	



Mounting plate for distribution connector; 2-pole		
Color	Item No.	PU
black	770-1626	25
white	770-1627	25

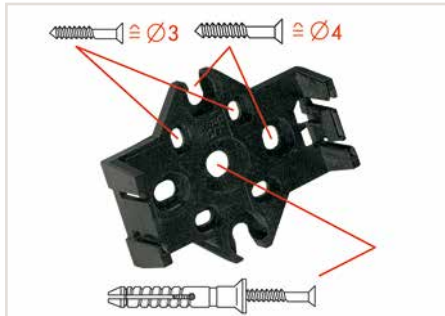


Mounting pin; for mounting plates; 6 mm Ø; 1 ... 2.5 mm plate thickness		
Color	Item No.	PU
black	770-601	250

Mounting plate; for distribution connector; 3-pole		
Color	Item No.	PU
black	770-623	25
white	770-673	25

Mounting plate; for distribution connector; 4-pole		
Color	Item No.	PU
black	770-624	25
white	770-674	25

Mounting plate; for distribution connector; 5-pole		
Color	Item No.	PU
black	770-625	25
white	770-675	25



Mounting plates can be secured using commercially available screws or nail-drive anchors.



The mounting plate can be centrally mounted, or attached via outboard attachment points using 770-601 Mounting Pins.

Accessories ▶ WINSTA® MIDI, WINSTA® MIDI special ▶ 770 Series

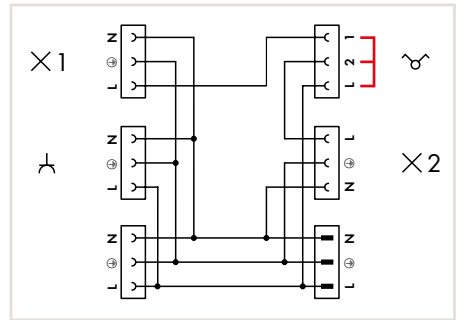
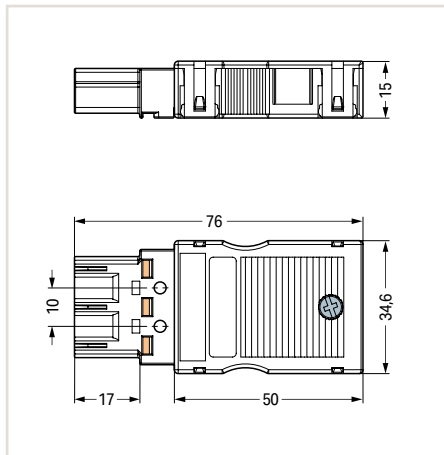
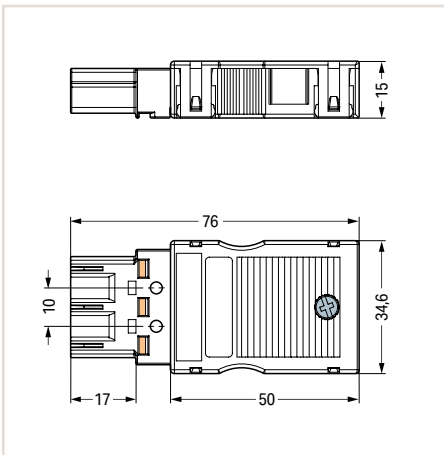


Shorting plug; S-coding; brown plug with assembled strain relief housing and bridge

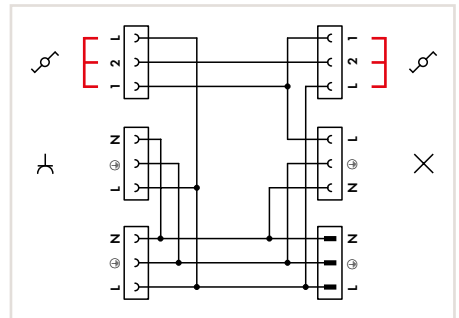
Color/Marking	Item No.	PU
	770-1373/146-000	50
	770-1373/147-000	50
	770-1373/148-000	50
	770-1373/149-000	50

Shorting plug; A-coding; black plug with assembled strain relief housing and bridge

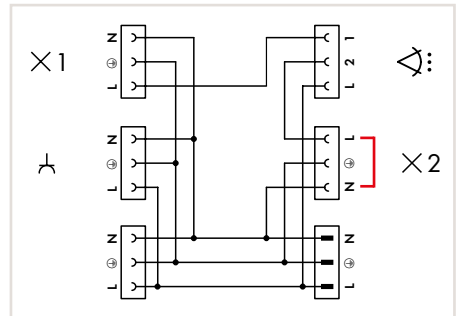
Color/Marking	Item No.	PU
	770-113/147-000	50



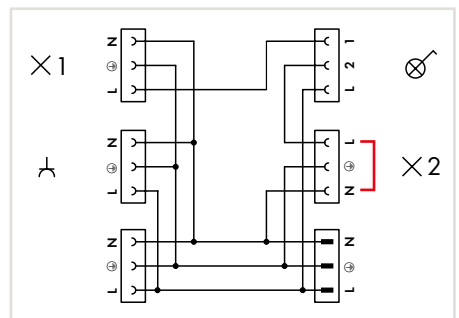
Internal circuit of 770-637 Distribution Connector with possible insertion position of 770-1373/14x-000 Shorting Plug.



Internal circuit of 770-638 Distribution Connector with possible insertion positions of 770-1373/14x-000 Shorting Plug.



Internal circuit of 770-637 Distribution Connector with insertion position of 770-113/147-000 Shorting Plug for connecting a motion sensor.



Internal circuit of 770-637 Distribution Connector with insertion position of 770-113/147-000 Shorting Plug for connecting a switch with control lamp.

Accessories ▶ WINSTA® MIDI, WINSTA® MIDI special ▶ 770 Series



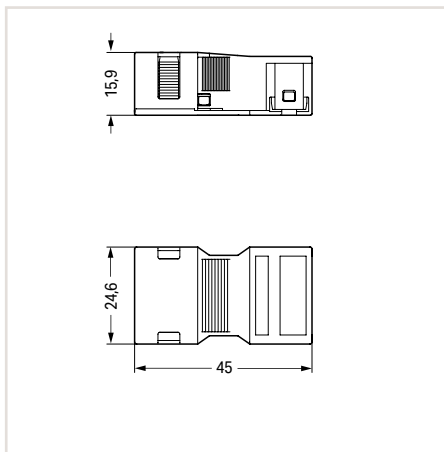
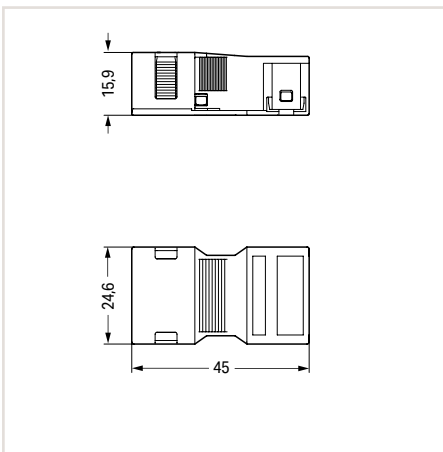
Shield connecting plate; for 3-pole plugs and sockets		
Item No.	PU	
770-523	25	

Strain relief housing; for one cable; 5 ... 9 mm cable diameter; 35 mm strip length		
Color	Item No.	PU
black	770-502/042-000	50
white	770-512/042-000	50

Strain relief housing; for one cable; 7 ... 10.5 mm cable diameter; 35 mm strip length		
Color	Item No.	PU
black	770-502/041-000	50
white	770-512/041-000	50



Connector with shield termination



PU = Packaging Unit; SPU = Subpackaging Unit; Dimensions in mm

Accessories ▶ WINSTA® MIDI, WINSTA® MIDI special ▶ 770 Series 3-Pole



Strain relief housing; for two cables;
for 4.5 ... 8 mm cable diameter; 55 mm strip length

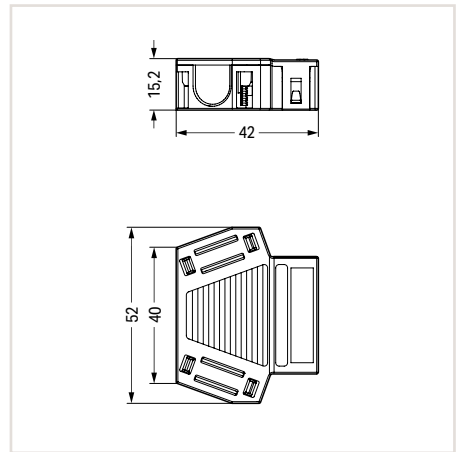
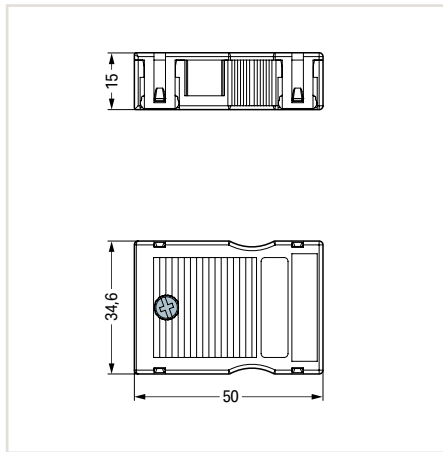
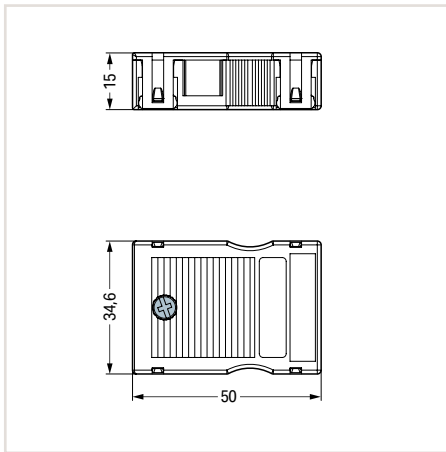
Color	Item No.	PU
black	770-503/023-000	50
white	770-513/023-000	50

Strain relief housing; for two cables;
for 8 ... 11.5 mm cable diameter; 55 mm strip length

Color	Item No.	PU
black	770-503	50
white	770-513	50

Strain relief housing; angled; for two cables;
for 8 ... 11.5 mm cable diameter; 55 mm strip length

Color	Item No.	PU
black	770-503/032-000	25
white	770-513/032-000	25



Accessories ▶ WINSTA® MIDI, WINSTA® MIDI special ▶ 770 Series 3-Pole



Strain relief housing; for 4 mm² cables; for 1 cable; 9 ... 13 mm cable diameter; 71 mm strip length

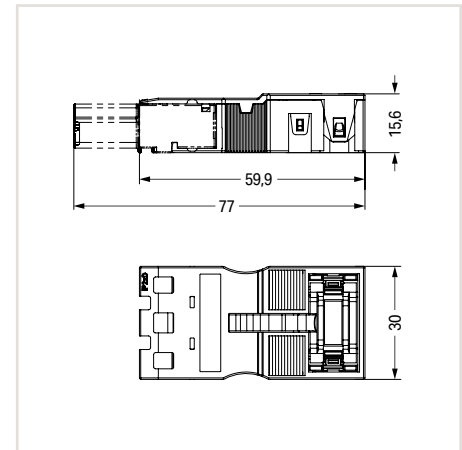
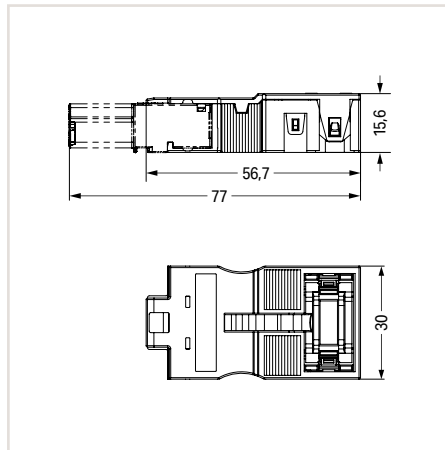
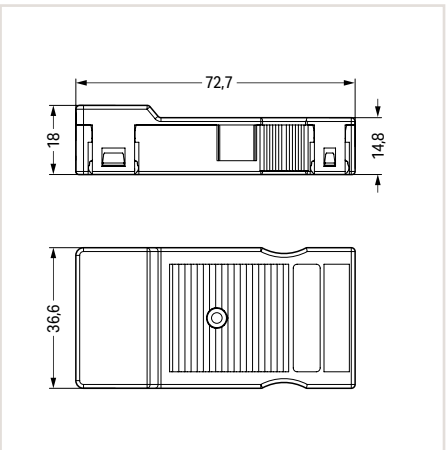
Color	Item No.	PU
black	770-503/021-000	50
white	770-513/021-000	50

Strain relief housing; for quick assembly; for one cable; 7 ... 11.5 mm cable diameter; 48 mm strip length

Color	Item No.	PU
black	770-503/035-000	50
white	770-513/035-000	50

Strain relief housing; IP 2xD; for one cable; 7 ... 11.5 mm cable diameter; 48 mm strip length

Color	Item No.	PU
black	770-503/038-000	50
white	770-513/038-000	50



PU = Packaging Unit; SPU = Subpackaging Unit; Dimensions in mm

Accessories ▶ WINSTA® MIDI, WINSTA® MIDI special ▶ 770 Series 4-Pole

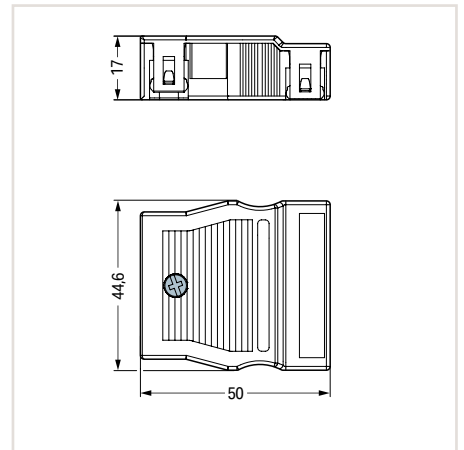
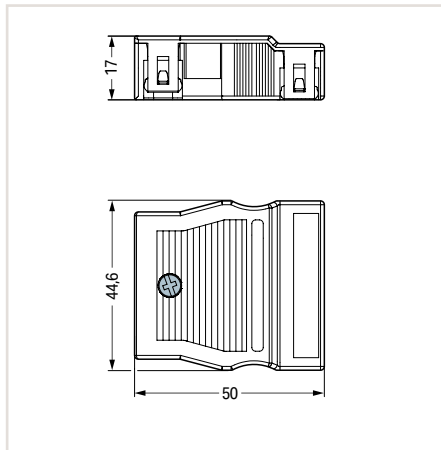


Strain relief housing; for two cables; for 5 ... 9 mm cable diameter; 55 mm strip length

Color	Item No.	PU
black	770-504/023-000	50
white	770-514/023-000	50

Strain relief housing; for two cables; for 9 ... 13 mm cable diameter; 55 mm strip length

Color	Item No.	PU
black	770-504	50
white	770-514	50



Accessories ▶ WINSTA® MIDI, WINSTA® MIDI special ▶ 770 Series 5-Pole



Strain relief housing; for two cables; for 5 ... 9 mm cable diameter; 55 mm strip length

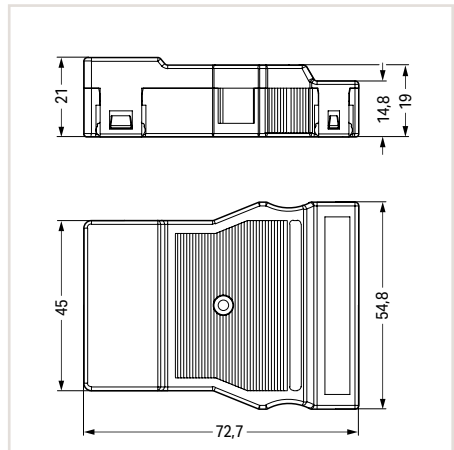
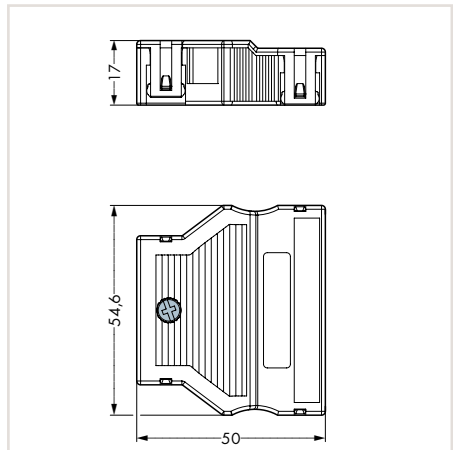
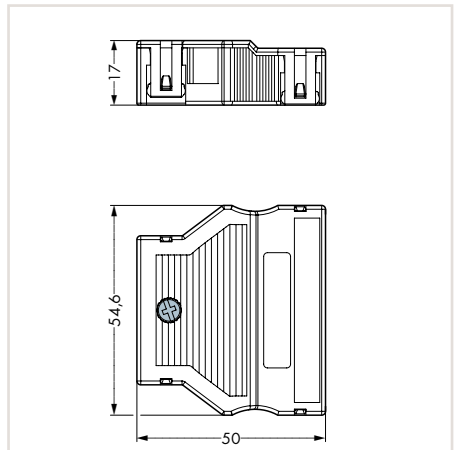
Color	Item No.	PU
black	770-505/023-000	25
white	770-515/023-000	25

Strain relief housing; for two cables; for 9 ... 13 mm cable diameter; 55 mm strip length

Color	Item No.	PU
black	770-505	25
white	770-515	25

Strain relief housing; for one cable; 11.5 ... 16.5 mm cable diameter; 71 mm strip length

Color	Item No.	PU
black	770-505/021-000	25
white	770-515/021-000	25



PU = Packaging Unit; SPU = Subpackaging Unit; Dimensions in mm

Accessories ▶ WINSTA® MIDI, WINSTA® MIDI special ▶ 770 Series 6-Pole



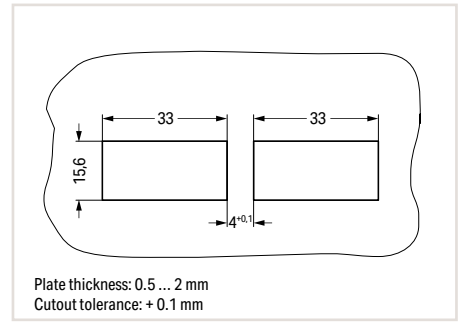
Snap-on type strain relief housings for:

- two 3-pole sockets
- two 3-pole plugs
- 3-pole socket and plug

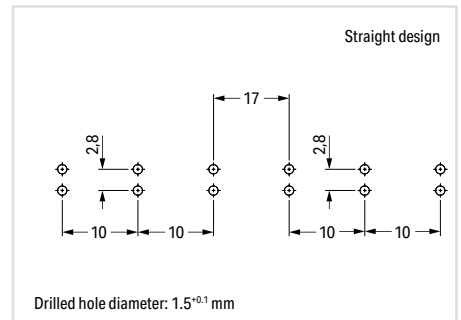
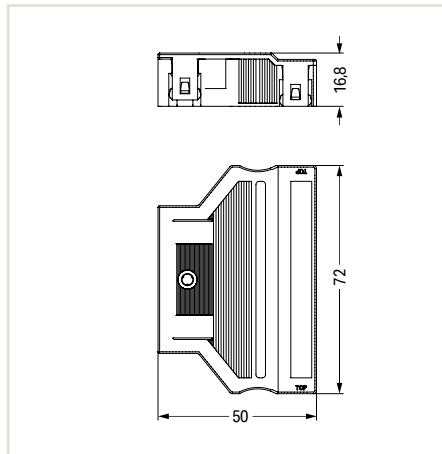


Strain relief housing; for two cables;
for 8.5 ... 13.5 mm cable diameter; 55 mm strip length

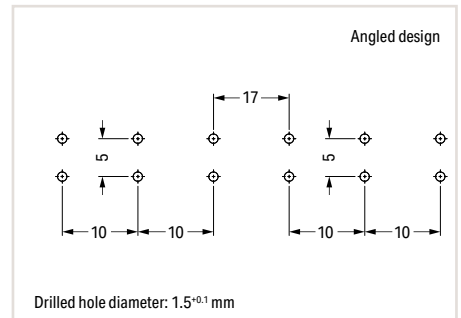
Color	Item No.	PU
black	770-506/029-000	20
white	770-516/029-000	20



Using a 6-pole strain relief housing with snap-in connectors requires the cutout dimensions shown above.



Using a straight, 6-pole PCB connector requires the hole patterns shown above.



Using an angled, 6-pole PCB connector requires the hole patterns shown above.

Accessories ▶ WINSTA® MIDI, WINSTA® MIDI special ▶ 770 Series 7-Pole



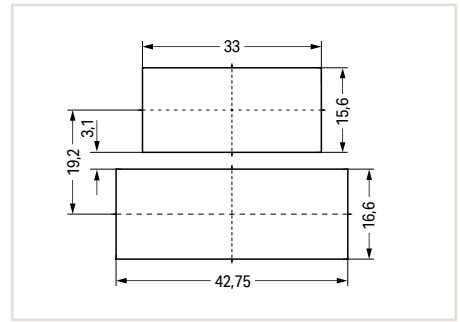
Snap-on type strain relief housings for:

- 3-pole socket or plug
- 4-pole socket or plug

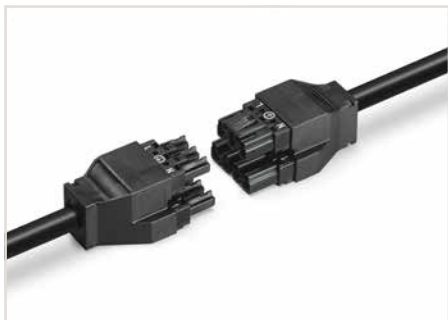


Strain relief housing; for one cable; 8 ... 15 mm cable diameter; 55 mm strip length

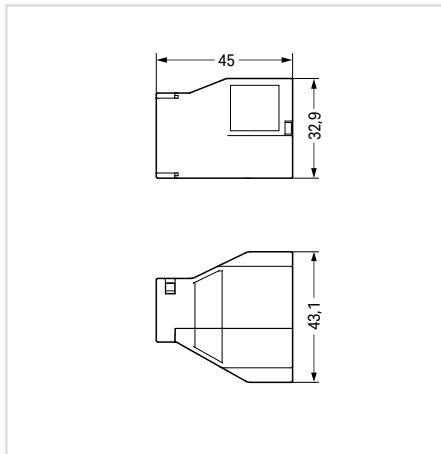
Color	Item No.	PU
black	770-507/047-000	200
white	770-517/047-000	200



Using a 7-pole strain relief housing with snap-in connectors requires the cutout dimensions shown above.

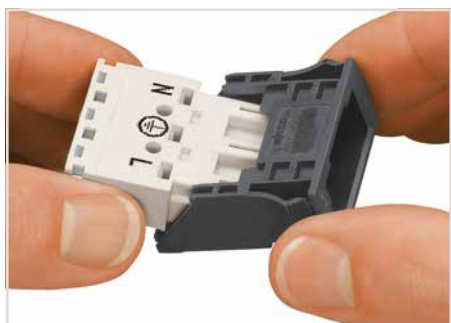


Flying leads
(NOTICE: Only use locking levers on upper position)



Flying leads

Accessories ▶ WINSTA® MIDI, WINSTA® MIDI special ▶ 770 Series



Insert the socket or plug into the frame (observe the "TOP" marking on the frame!), then snap the assembled unit into the cutout (example shows a 3-pole connector).

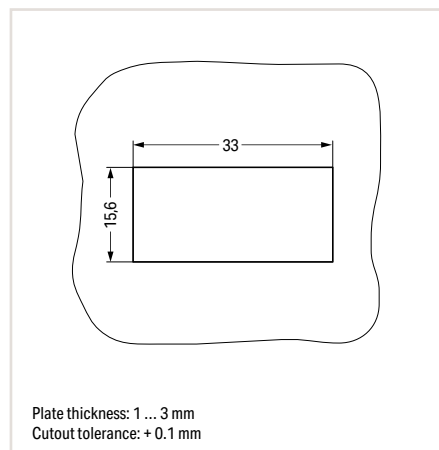
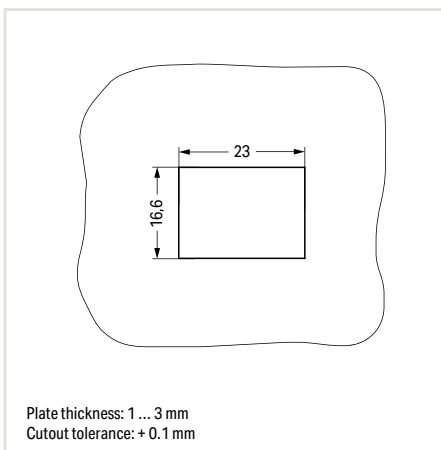
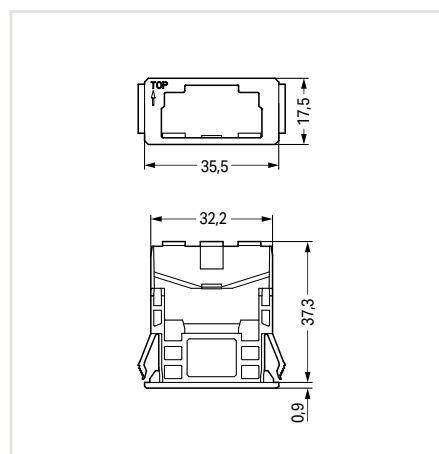
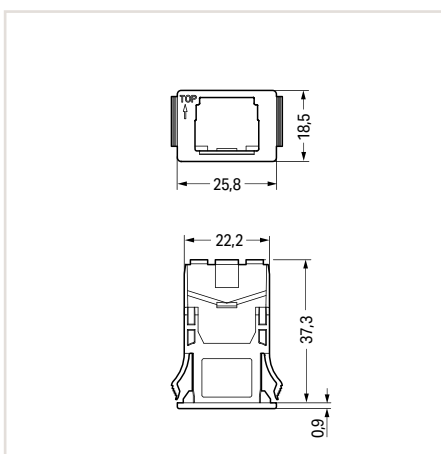


Snap-in frame; for 2-pole sockets and plugs;
for 1 ... 3 mm plate thickness

Color	Item No.	PU
black	770-317	100
white	770-337	100

Snap-in frame; for 3-pole sockets and plugs;
for 1 ... 3 mm plate thickness

Color	Item No.	PU
black	770-318	100
white	770-338	100



Accessories ▶ WINSTA® MIDI, WINSTA® MIDI special ▶ 770 Series



Snap-in frame; for 4-pole sockets and plugs;
for 1 ... 3 mm plate thickness

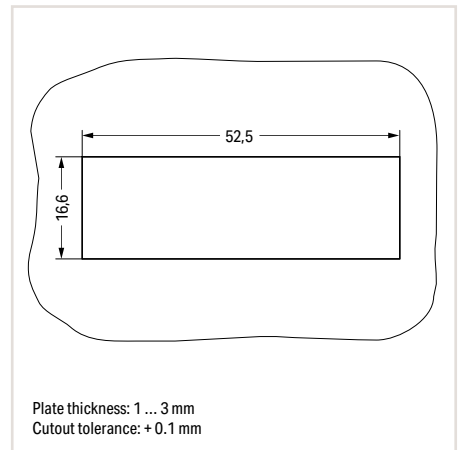
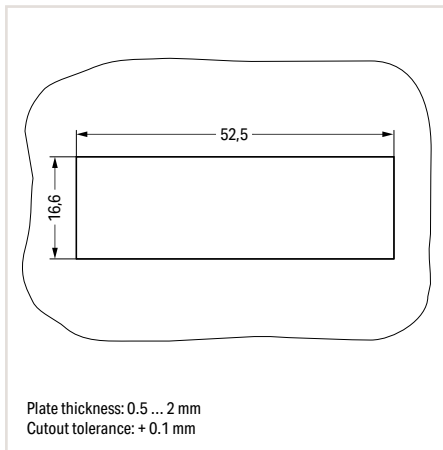
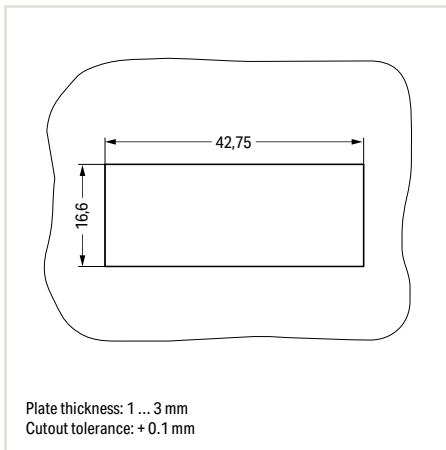
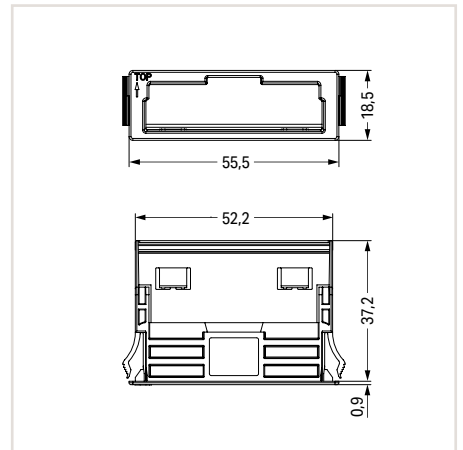
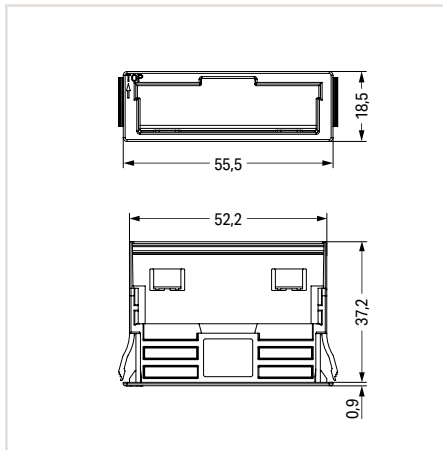
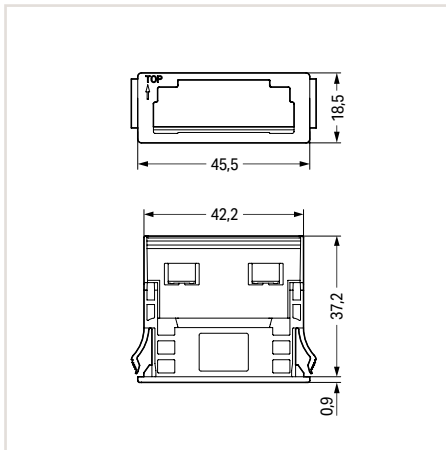
Color	Item No.	PU
black	770-319	100
white	770-339	100

Snap-in frame; for 5-pole sockets and plugs;
for 0.5 ... 2 mm plate thickness

Color	Item No.	PU
black	770-321	100
white	770-341	100

Snap-in frame; for 5-pole sockets and plugs;
for 1 ... 3 mm plate thickness; for A-coding/B/I/P/Q

Color	Item No.	PU
black	770-320	100
white	770-340	100



PU = Packaging Unit; SPU = Subpackaging Unit; Dimensions in mm

Accessories ▶ WINSTA® Boxes ▶ 899 Series



Adapter for distribution boxes; for WINSTA® MINI connectors and WINSTA® MINI special connectors; 2-pole

Color	Item No.	PU
gray	890-302	50



Mounting pin for distribution boxes; for WINSTA® MIDI connectors and WINSTA® MIDI special connectors

Color	Item No.	PU
gray	770-630	100



Mounting plate; for distribution boxes

Color	Item No.	PU
gray	770-680	25

Adapter for distribution boxes; for WINSTA® MINI connectors and WINSTA® MINI special connectors; 3-pole

Color	Item No.	PU
gray	890-303	50

Adapter for distribution boxes; for WINSTA® MINI connectors and WINSTA® MINI special connectors; 4-pole

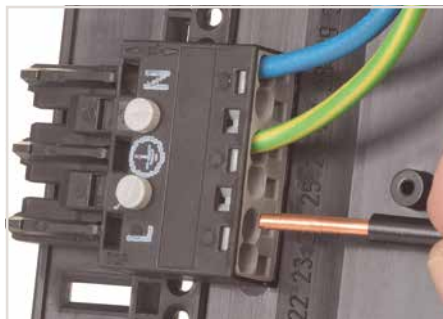
Color	Item No.	PU
gray	890-304	50

Adapter for distribution boxes; for WINSTA® MINI connectors and WINSTA® MINI special connectors; 5-pole

Color	Item No.	PU
gray	890-305	50



Using adapters to install WINSTA® MINI and WINSTA® MINI special connectors in a distribution box.



Using mounting pins to secure WINSTA® MIDI and WINSTA® MIDI special connectors in a distribution box .



Wall-mounted WINSTA® Distribution Box

Accessories ▶ WINSTA® IDC ▶ 772 Series



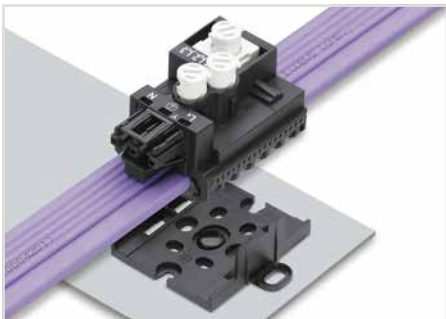
Mounting plate; for supply and tap-off modules		
Color	Item No.	PU
black	772-260	10



Mounting pin; for mounting plates; 6 mm Ø; 1 ... 2.5 mm plate thickness		
Color	Item No.	PU
black	770-601	250



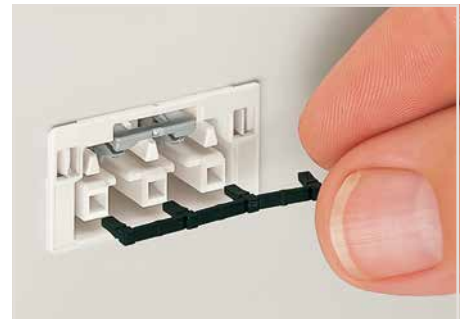
Lockout cap; for socket; separable; 12-pole		
Color	Item No.	PU
black	770-201	100
white	770-221	100



Snapping a supply or tap-off module onto a mounting plate.



The mounting plate can be centrally mounted, or attached via outboard attachment points using 770-601 Mounting Pins.



Seal an unmated socket by simply inserting a lockout cap. This prevents the smallest particles from entering the socket.

Accessories ▶ WINSTA® IDC ▶ 895 Series



Cable fitting; M 40 x 1.5; clamping range: 20 ... 26 mm Ø; with O-ring gasket; plastic

Color	Item No.	PU
black	895-1601	5



Cable fitting; M 25 x 1.5; clamping range: 20 ... 26 mm Ø; with O-ring gasket; brass

Color	Item No.	PU
brass	895-1604	5



Filler plug; M 25 x 1.5; with O-ring gasket; plastic

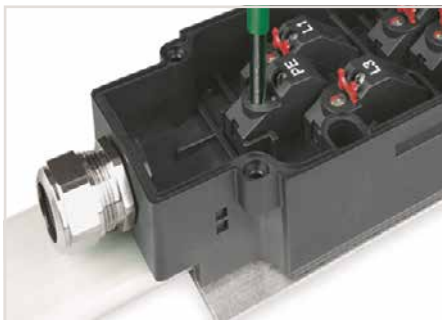
Color	Item No.	PU
black	895-1605	5

Cable fitting; M 25 x 1.5; clamping range: 9 ... 16 mm Ø; with O-ring gasket; plastic

Color	Item No.	PU
gray	895-1602	5

Cable fitting; M 25 x 1.5; clamping range: 13 ... 18 mm Ø; with O-ring gasket; plastic

Color	Item No.	PU
gray	895-1603	5



Tap-off module with brass cable fitting

Accessories ▶ WINSTA® IDC ▶ 897 Series



Mounting clamp; for screw mounting; for 2 x 1.5 mm², 5 x 2.5 mm², 5 x 4 mm² and 5 x 2.5 mm² + 2 x 1.5 mm² flat cables

Color	Item No.	PU
gray	897-878	100

Mounting clamp; for screw mounting; for 3 x 2.5 mm² flat cables

Color	Item No.	PU (SPU)
dark gray	897-839	200(25)

Mounting clamp; for screw mounting; for 5 x 10 mm² flat cables

Color	Item No.	PU
dark gray	897-859	100

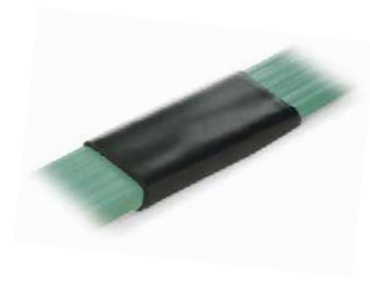
PU = Packaging Unit; SPU = Subpackaging Unit; Dimensions in mm

Accessories ▶ WINSTA® IDC ▶ 897 Series



Flat cable end cover; for 2 x 1.5 mm² flat cables; plastic

Color	Item No.	PU
transparent	897-120	10



Insulating tape; for 2 x 1.5 mm² to 5 x 10 mm² flat cables

Color	Item No.	PU
black	897-900	10

Flat cable end cover; for 3 x 2.5 mm² flat cables; plastic

Color	Item No.	PU
transparent	897-230	25

Insulating tape; for 5 x 16 mm² flat cables

Color	Item No.	PU
black	897-901	10

Flat cable end cover; for 5 x 2.5 mm² and 5 x 4 mm² flat cables; plastic

Color	Item No.	PU
transparent	897-250	25

Flat cable end cover; for 5 x 2.5 mm² and 2 x 1.5 mm² flat cables; plastic

Color	Item No.	PU
transparent	897-260	25

Flat cable end cover; for 5 x 10 mm² flat cables; plastic

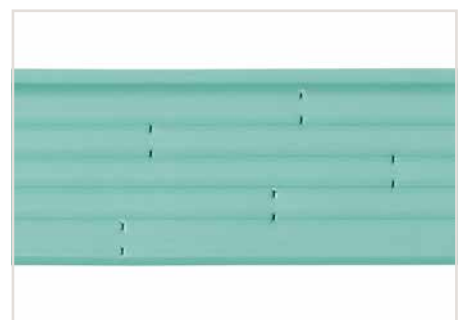
Color	Item No.	PU
transparent	897-1050	10

Flat cable end cover; for 5 x 16 mm² flat cables; plastic

Color	Item No.	PU
transparent	897-1650	4

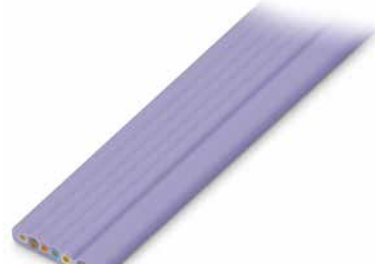
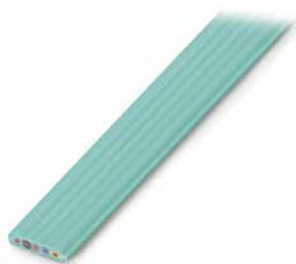


Fit end cover to each flat cable end.



Use insulating tape to seal the contact holes in the flat cable after removing a module.

Accessories ▶ WINSTA® IDC ▶ 897 Series



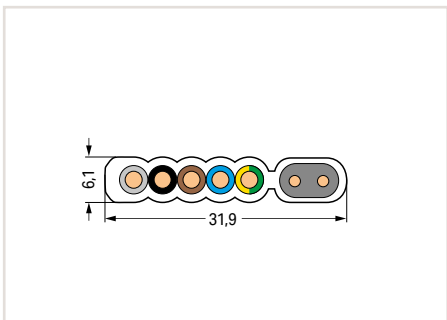
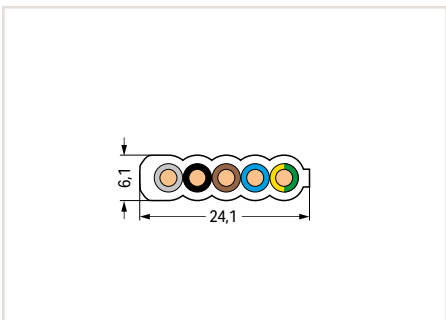
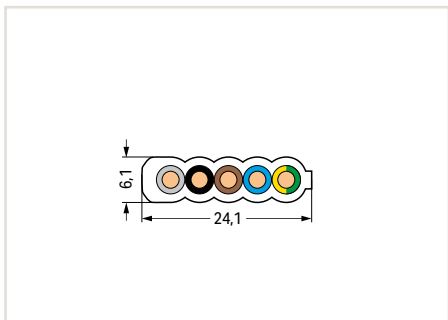
Flat cable; 5 x 2.5 mm ² ; PVC		
Color	Item No.	PU
light green	897-251	1

Flat cable; 5 x 4 mm ² ; halogen-free		
Color	Item No.	PU
black	897-453	1

Flat cable; 5 x 2.5 mm ² + 2 x 1.5 mm ² ; PVC		
Color	Item No.	PU
violett	897-261	1

Flat cable; 5 x 2.5 mm ² ; halogen-free		
Color	Item No.	PU
light green	897-252	1

Flat cable; 5 x 2.5 mm ² + 2 x 1.5 mm ² ; halogen-free		
Color	Item No.	PU
violett	897-262	1



PU = Packaging Unit; SPU = Subpackaging Unit; Dimensions in mm

Accessories ▶ WINSTA® IDC ▶ 897 Series



Flat cable; 2 x 1.5 mm²; PVC		
Color	Item No.	PU
light gray	897-121	1



Flat cable; 3 x 2.5 mm²; PVC		
Color	Item No.	PU
light gray	897-231	1

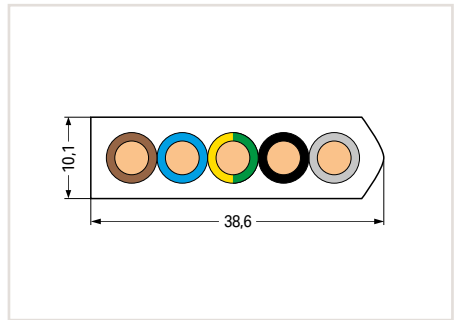
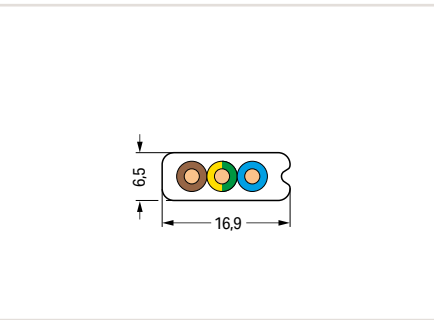
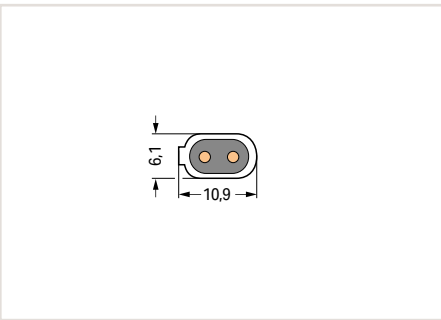


Flat cable; 5 x 10 mm²; PVC		
Color	Item No.	PU
light gray	897-1051	1

Flat cable; 2 x 1.5 mm²; halogen-free		
Color	Item No.	PU
light gray	897-122	1

Flat cable; 3 x 2.5 mm²; halogen-free		
Color	Item No.	PU
light gray	897-232	1

Flat cable; 5 x 10 mm²; halogen-free		
Color	Item No.	PU
light gray	897-1052	1



Accessories ▶ WINSTA® IDC ▶ 897 Series

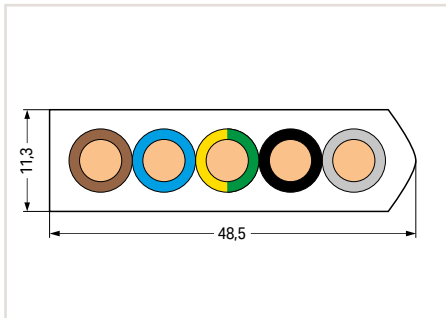


Flat cable; 5 x 16 mm²; PVC

Color	Item No.	PU
light gray	897-1651	1

Flat cable; 5 x 16 mm²; halogen-free

Color	Item No.	PU
light gray	897-1652	1



Operating Tools ► WINSTA®



Operating tool with a partially insulated shaft; type 1; (2.5 x 0.4) mm blade

Item No.	PU (SPU)
210-719	50(1)

Operating tool set; with a partially insulated shaft; includes 210-719, 210-720 and 210-721

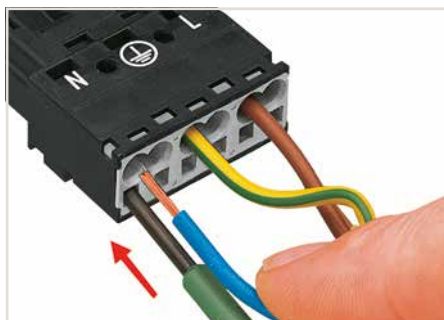
Item No.	PU
210-722	1

Operating tool with a partially insulated shaft; type 2; (3.5 x 0.5) mm blade

Item No.	PU (SPU)
210-720	50(1)

Operating tool with a partially insulated shaft; type 3; (5.5 x 0.8) mm blade

Item No.	PU (SPU)
210-721	25(1)



The blade dimensions of the above-listed operating tools are ideal for operating both WINSTA® Plugs and Sockets.



Set of operating tools in a box

Operating Tools ► WINSTA®



Operating tool with a partially insulated shaft; (6.5 x 1.4) mm blade		
	Item No.	PU (SPU)
	210-636	50(1)



Operating tool; partially insulated; for WINSTA® MINI connectors; 2-pole		
	Item No.	PU
	890-382	1



Operating tool; partially insulated; for WINSTA® MIDI connectors; 2-pole		
	Item No.	PU
	770-382	1

Operating tool; short version; (6.5 x 1.4) mm		
	Item No.	PU (SPU)
	210-635	30(1)

Operating tool; partially insulated; for WINSTA® MINI connectors; 3-pole		
	Item No.	PU
	890-383	1

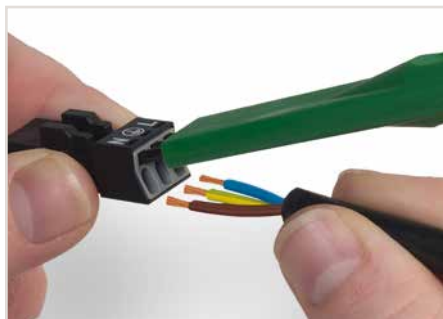
Operating tool; partially insulated; for WINSTA® MIDI connectors; 3-pole		
	Item No.	PU
	770-383	1

Operating tool; partially insulated; for WINSTA® MINI connectors; 4-pole		
	Item No.	PU
	890-384	1

Operating tool; partially insulated; for WINSTA® MINI connectors; 5-pole		
	Item No.	PU
	890-385	1



Operating tools are ideally suited to operate IDC modules (772 Series).



To terminate fine-stranded conductors, open clamping units via operating tool (890-383) and insert stripped conductors until they hit backstop.

Stripping Tools ▶ WINSTA®



Cable knife; for Ø 8 ... 28 mm / 0.31 ... 1.10 inch; with a unique, changeable cable bracket system; including cable bracket

	Item No.	Pack. Unit
	206-1403	1

Accessories; item-specific

Cable bracket; for Ø 4 ... 16 mm / 0.16 ... 0.63 inch		
	206-1411	1

Cable bracket; for Ø 8 ... 28 mm / 0.31 ... 1.10 inch		
	206-1412	1

Cable bracket; for Ø 27 ... 35 mm / 1.06 ... 1.38 inch		
	206-1413	1

Cable bracket; for Ø 35 ... 50 mm / 1.38 ... 1.97 inch		
	206-1414	1

Cable bracket; for Ø 50 ... 70 mm / 1.97 ... 2.75 inch		
	206-1415	1

Spare inside blade		
	206-1418	1

Spare hook blade		
	206-1419	1



Wire stripper "Quickstrip Vario"; 0.03 ... 16 mm² / 34 ... 6 AWG

	Item No.	PU
	206-1125	1

Accessories

Blade set; Standard; 0.03 ... 16 mm ² / 34 ... 6 AWG		
	206-1126	1

Blade set; V-blade; 0.14 ... 4 mm ² / 24 ... 12 AWG		
	206-1127	1

Blade set; Oval blade; 10 ... 16 mm ² / 8 ... 6 AWG		
	206-1128	1

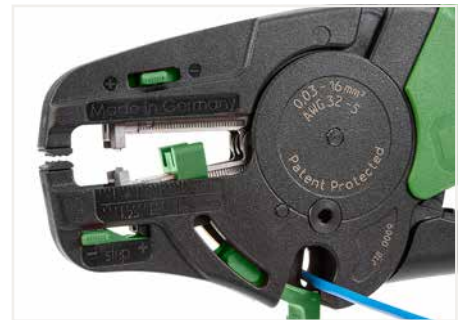
Spare stripping stop		
	206-1129	1

Spare cut protector		
	206-1131	1

Spare clamping jaws		
	206-1132	1



Partially stripping a conductor.



Cutting a conductor.

Wire Stripper:

- Automatically adjust to conductor size
- Stripping blades cause no damage to conductor strands
- Gripping pressure of jaws adjusts automatically to conductor insulation diameter
- Clamping jaws and stripping blades automatically open once the stripping process is completed – no splaying of the conductor strands
- Exact strip length may be set by sliding black setting stop
- Stripping blades can be replaced
- Self-sharpening, fully protected cutter (replaceable)
- Entire body made of glass-fiber-reinforced polyamide
- Cutting capacity of the wire cutter of fine-stranded conductors up to 16 mm² (6 AWG)



Stripping Pliers, Cable Cutters, Stripping Knives ▶ WINSTA®



Stripping pliers; with insulated handles; for 3 x 2.5 mm² flat cables

Color	Item No.	PU
red	897-931	1



Cable cutter; with partially insulated handles; for 5 x 10 mm² and 5 x 16 mm² flat cables

Color	Item No.	PU
red	897-970	1



Stripping knife; for (5 x 10 mm²) flat cable

Color	Item No.	PU
light gray	897-951	1

Stripping pliers; with insulated handles; for 2 x 1.5 mm², 5 x 2.5 mm², 5 x 4 mm² and 5 x 2.5 mm² + 2 x 1.5 mm² flat cables

Color	Item No.	PU
red	897-971	1

Cable cutter; with partially insulated handles; for 2 x 1.5 mm², 5 x 2.5 mm², 5 x 4 mm² and 5 x 2.5 mm² + 2 x 1.5 mm² flat cables

Color	Item No.	PU
red	897-972	1

Stripping knife; for 5 x 16 mm² flat cable

Color	Item No.	PU
light gray	897-952	1



Cut off the flat cable insulation via cable cutter.



Cut both flat cable insulation sides via stripping knife.

Cable Cutter and Wiring Aid ► WINSTA®



Cable cutter; per VDE; for copper and aluminum cables; 0.25 ... 35 mm²

Color	Item No.	PU (SPU)
green	206-118	10(1)



Wiring aid; for 5-pole connectors; distribution connectors with phase selection and IDC supply modules; suitable for solid and stranded conductors

Color	Item No.	PU (SPU)
orange	770-100	20(1)



Cutting a cable.



Strip outer insulation, insert cable into the wiring aid and arrange the single conductors according to the marking, starting with N. Cut conductor ends to the proper length.



Strip conductor ends to a length of 9 mm (see marking). Slide connector to the stop over conductor ends.

Markers and Marking Strips ▶ WINSTA®



Marker; for manual marking		
Color	Item No.	PU
white	770-450	50
green	770-450/000-001	50
yellow	770-450/000-002	50
red	770-450/000-005	50
blue	770-450/000-006	50
orange	770-450/000-012	50

Self-adhesive marking strips; on DIN A4 cards; 182 mm long; 6 mm (40 x) high; for 770 Series		
Color	Item No.	PU (SPU)
white	210-333	100(1)

Self-adhesive marking strips; on DIN A4 cards; 182 mm long; 5 mm (48 x) high; for 771 Series		
Color	Item No.	PU (SPU)
white	210-334	100(1)



Distribution connector with marked cables



Marking area:
 Strain relief; 3-pole; 28 x 6.5 mm
 Strain relief; 4-pole; 38 x 6.5 mm
 Strain relief; 5-pole; 48 x 6.5 mm
 Strain relief; 6-pole; 62 x 6.5 mm



Marking area:
 Strain relief; 3-pole; 22 x 5.2 mm
 Strain relief; 4-pole; 32 x 5.2 mm
 Strain relief; 5-pole; 42 x 5.2 mm



Technical Section


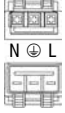



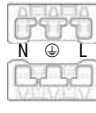
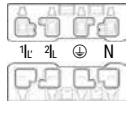
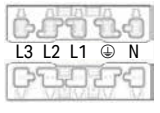

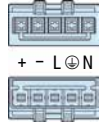
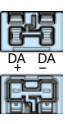
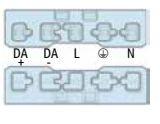

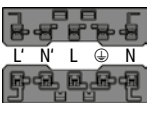






Technical Section

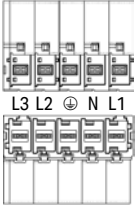

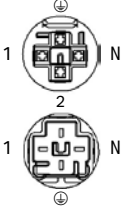
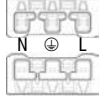
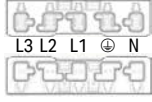






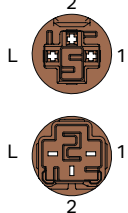
	Page	
	Coding Overview	514
	Pole Markings	516
	Cable Dimensions	518
	International Certification Organizations	520
	Electrical Engineering Laboratory	522
	Seminars	524

WINSTA®



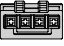













































Coding Configurations

770, 771, 772, 831, 890, 891, 893, 894 and 899 Series

Description	WINSTA® MINI				WINSTA® MIDI			
	2-pole	3-pole	4-pole	5-pole	2-pole	3-pole	4-pole	5-pole
Series	890/891	890/891	890/891	890/891	770/771	770/771	770/771	770/771
A-coding black white e.g., general applications	 N L	 N ⊕ L	 1L 2L ⊕ N	 3 2 1 ⊕ N	 N L	 N ⊕ L	 1L 2L ⊕ N	 L3 L2 L1 ⊕ N
E-coding green KNX applications								
F-coding light gray specialty coding								
I-coding blue for dimming function (e.g., DALI)	 - +			 + - L ⊕ N	 DA DA			 DA DA L ⊕ N
L-coding dark gray e.g., emergency power supply					 N' L'			 L' N' L ⊕ N
P-coding red e.g., computer applications (UPS)						 N ⊕ L		 L3 L2 L1 ⊕ N
Q-coding green Clean ground applications							 L PE2 PE1 N	 L PE3 PE2 PE1 N
R-coding orange e.g., LON® Bus						 S LON LON		
S-coding brown e.g., switching applications						 L 2 1		

Description	WINSTA® MAXI	WINSTA® RD		WINSTA® KNX		WINSTA® IDC	
	5-pole	3-pole	4-pole	2-pole	2-pole	3-pole	5-pole
Series	831	774	774	893/894	893/894	772	772
A-coding black white e.g., general applications							
E-coding green KNX applications							
F-coding light gray specialty coding							
I-coding blue for dimming function (e.g., DALI)							
L-coding dark gray e.g., emergency power supply							
P-coding red e.g., computer applications (UPS)							
Q-coding green Clean ground applications							
R-coding orange e.g., LON® Bus							
S-coding brown e.g., switching applications							

WINSTA® MINI special and MIDI special B-Coding

Description	WINSTA® MINI special				WINSTA® MIDI special / WINSTA® IDC			
	2-pole	3-pole	4-pole	5-pole	2-pole	3-pole	4-pole	5-pole
Series	890/891	890/891	890/891	890/891	770/771	770/771/772	770/771	770/771/772
B-coding gray								
Control and general applications (110 ... 400 V mains applications)	2 1 	3 2 1 	4 3 2 1 	5 4 3 2 1 	2 1 	3 2 1 	4 3 2 1 	5 4 3 2 1 
B-coding light green								
Control and general applications (0 ... 48 V low voltages)	2 1 	3 2 1 	4 3 2 1 	5 4 3 2 1 	2 1 	3 2 1 	4 3 2 1 	5 4 3 2 1 
B-coding pink								
Control and general applications (bus applications)	2 1 	3 2 1 	4 3 2 1 	5 4 3 2 1 	2 1 	3 2 1 	4 3 2 1 	5 4 3 2 1 

Important note:

B-Coded components within the WINSTA® MINI special and WINSTA® MIDI special families are designed for specialty applications (e.g., measurement, control and regulation technology) and certified per DIN EN 61984. In addition to the gray models rated from 110 to 400 V, there is now also a variant in light green for low voltages up to 48 V, as well as a pink one for bus applications. Each of the three versions is available in 2-, 3- or 4- and 5-pole configurations. Pole marking can be printed at the factory to suit customer requirements. B-coded products are protected against mismatching with all other coding types found in the WINSTA® system. Within B-coding, all special variants can mate with each other. The variable coding system provides clear circuit identification. Special variants can be clearly differentiated according to color and pole marking. They can be coded on-site or delivered with factory-installed custom coding.

WINSTA® MINI special and MIDI special Pole Markings

Suffix Number	Marking				Application
	2-pole	3-pole	4-pole	5-pole	
without	1 2	1 2 3	1 2 3 4	1 2 3 4 5	General
/060-000 MINI MIDI	L N	L ⊕ N	N ⊕ ² IL ¹ IL'	N ⊕ 1 2 3 N ⊕ L1 L2 L3	Standard 230 V/400 V network application
/062-000		2 PE 1	3 PE 2 1	N PE 3 2 1	Fan Step switching
/064-000			2L ⊕ 1L L	N ⊕ L 2L 1L	230 V + switched
without	1 2	1 2 3	1 2 3 4	1 2 3 4 5	General
/071-000		U+ X/Y U-	U- S U+ X/Y		AI / AO 0 ... 10 V
/072-000			U- U+ DI AI		Presence detector incl. light sensor
/073-000		1 ⊕ 2	1 ⊕ 2 3	1 ⊕ 2 3 4	Control Signal incl. Ground
without	1 2	1 2 3	1 2 3 4	1 2 3 4 5	General
/080-000	I+ I-			N ⊕ L I- I+	SMI bus
/081-000		1 2 5	1 2 5 3		MP-Bus
/082-000	+ -	+ S -		N ⊕ L - +	Standard fieldbus applications

Distribution connectors and cable assemblies with above-mentioned pole markings are available upon request.

Item number example:

WINSTA® MIDI special, plug, 4-pole, light green, with U- U+ DI AI pole marking

770-274/072-000

WINSTA®

Cable Dimensions

H05VV-F PVC Cables

Number and Size of Conductors	Outer Diameter	
	Min. (mm)	Max. (mm)
mm ²		
2 x 0.75	5.7	7.2
2 x 1	5.9	7.5
2 x 1.5	6.8	8.6
2 x 2.5	8.4	10.6
2 x 4	9.7	12.1
3 x 0.75	6.0	7.6
3 x 1	6.3	8.0
3 x 1.5	7.4	9.4
3 x 4	10.5	13.1
3G0.75	6.0	7.6
3G1	6.3	8.0
3G1.5	7.4	9.4
3G2.5	9.2	11.4
3G4	10.5	13.1
4 x 1	7.1	9.0
4 x 1.5	8.4	10.5
4G0.75	6.6	8.3
4G1	7.1	9.0
4G1.5	8.4	10.5
4G2.5	10.1	12.5
4G4	11.5	14.3
5G0.75	7.4	9.3
5G1	7.8	9.3
5G1.5	9.3	11.6
5G2.5	11.2	13.9

H05Z1Z1-F Halogen-Free Cables

Number and Size of Conductors	Outer Diameter	
	Min. (mm)	Max. (mm)
mm ²		
2 x 0.75	5.7	7.2
2 x 1	5.9	7.5
2 x 1.5	6.8	8.6
2 x 2.5	8.4	10.6
2 x 4	9.7	12.1
3 x 0.75	6.0	7.6
3 x 1	6.3	8.0
3 x 1.5	7.4	9.4
3 x 4	10.5	13.1
3G0.75	6.0	7.6
3G1	6.3	8.0
3G1.5	7.4	9.4
3G2.5	9.2	11.4
3G4	10.5	13.1
4 x 1	7.1	9.0
4 x 1.5	8.4	10.5
4G1	7.1	9.0
4G1.5	8.4	10.5
4G2.5	10.1	12.5
5G1	7.8	9.3
5G1.5	9.3	11.6
5G2.5	11.2	13.9
5G4	13.0	16.1























PVC Flat Cables








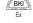
Number and Size of Conductors	Width x Height
	mm
mm ²	
2 x 1.5	10.9 x 6.1
3 x 2.5	16.9 x 6.5
5 x 2.5	24.0 x 6.1
5 x 2.5/2 x 1.5	31.9 x 6.1
5 x 10	38.6 x 10.1
5 x 16	48.5 x 11.3

Halogen-Free Flat Cables

Number and Size of Conductors	Width x Height
	mm
mm ²	
2 x 1.5	10.9 x 6.1
3 x 2.5	16.4 x 6.3
5 x 2.5	24.1 x 6.1
5 x 4	24.1 x 6.1
5 x 2.5/2 x 1.5	31.9 x 6.1
5 x 10	38.6 x 10.1
5 x 16	48.5 x 11.3

International Certification Organizations – Overview

		Abbreviation			Abbreviation
	Underwriters Laboratories USA http://www.ul.com	UL		Danmarks Elektriske Materielkon- trol Dänemark http://www.demko.dk	DEMKO
	Underwriters Laboratories USA http://www.ul.com	UL		CENELEC CERTIFICATION AGREE- MENT Danmarks Elektriske Materielkon- trol Dänemark http://www.cenelec.org	CCA Zul.-Nr. mit NL
Y	Underwriters Laboratories USA http://www.ul.com	cURus			
	Underwriters Laboratories USA http://www.ul.com	cULus		SETI – FEMKO Sähkötarastuskeskus Elinspeck- tionscentralen Finnland http://www.seti.fi	
	Canadian Standards Association Kanada http://www.csa.ca	CSA		Sähkötarastuskeskus Elinspeck- tionscentralen Finnland http://www.fimko.com	FIMKO
	VDE-Gutachten mit Fertigungs- überwachung Bundesrepublik Deutschland http://www.vde.de/vde/html/e/ home.htm	VDE	SABS	South African Bureau of Stan- dards Süd-Afrika http://www.sabs.co.za	SABS
	VDE – Deutscher Verband für Elektrotechnik Bundesrepublik Deutschland http://www.vde.de			RosTeST Russland http://www.rostest.ru	ROTEST
VDE	VDE – Prüfbericht Bundesrepublik Deutschland			Departamentul Moldovastandard Moldawien <a href="http://www.moldova.md/ro/govern-
ment/oil/
D_STAND/en/strcent2.htm">http://www.moldova.md/ro/govern- ment/oil/ D_STAND/en/strcent2.htm	CSM
	Österreichischer Verband für Elektrotechnik Österreich http://www.ove.at	ÖVE		Certificate of Registration Großbritannien http://www.astacertification.com	ASTA
	Schweizerischer Elektrotechni- scher Verein Schweiz http://www.sev.ch/	SEV		Rheinisch-Westfälischer Techni- scher Überwachungsverein e.V. Bundesrepublik Deutschland http://www.rwtuv.de	RWTÜV
	N.V. tot Keuring van Elektrotechni- sche Materialen Niederlande http://www.kema.nl	KEMA		Elektrotechnick ´y v ´yskumn ´y a projektov ´y ´ustav Tschechien http://www.ezu.cz	EZU
CCA	CENELEC CERTIFICATION AGREE- MENT N.V. tot Keuring van Elektrotechni- sche Materialen Niederlande http://www.cenelec.org	CCA Zul.-Nr. mit NL		Stowarzyszenie Elektrykow Pols- kich Polen http://www.sep.com.pl	BBJ
	Norges Elektriske Materialkontroll Norwegen http://express.nemko.com	NEMKO		Stowarzyszenie Elektrykow Pols- kich Polen http://www.bbj.pl	SEP
	Svenska Elektriska Materielkont- rollanstalten AB Schweden http://www.semko.com	SEMKO			

		Abbreviation			Abbreviation
CNET	Centre National d'Etudes des Télécommunications Frankreich http://www.lannion.cnet.fr	CNET		Robbanásbiztos Villamos Berendezések Ungarn http://www.bki.hu	BKI
LCIE	Laboratoire Central des Industries Electriques Frankreich http://www.lcie.fr	LCIE	CB	CB – TEST CERTIFICATE Indien http://www.ul-europe.com	CB
	Fyzikální Technický Ústav, Ostrava-Radvanice Tschechien http://www.ftzu.cz	FTZU	CB	CB – TEST CERTIFICATE China http://www.ul-europe.com	CB
Marine Approvals				UL-International Demko A/S Dänemark http://www.ul-europe.com	ENEC
	Germanischer Lloyd Bundesrepublik Deutschland http://www.gl-group.com	GL	Ex Approvals		
	Bureau Veritas Frankreich http://www.bureauveritas.fr	BV		Physikalisch Technische Bundesanstalt Bundesrepublik Deutschland Ex e II http://www.ptb.de	PTB
	Lloyd's Register of Shipping Großbritannien http://www.lloydsregister.com	LR		Underwriters Laboratories USA http://www.ul.com	cURus-EX
	NV – Det Norske Veritas Norwegen http://www.dnv.com	DNV		N.V. tot Keuring van Elektrotechnische Materialien Niederlande http://www.kemaquality.com	KEMA-EX
	Russian Maritime Register of Shipping GUS http://www.rs-head.spb.ru	RMR	GOSENERGO-Ex	GOSENERGONADZOR Russland	GOSENERGO-EX
	Polski Rejestr Statków Polen http://www.prs.pl	PRS		Fyzikální Technický Ústav, Ostrava-Radvanice Tschechien http://www.ftzu.cz	FTZU
	Korean Register of Shipping Korea http://www.krs.co.kr	KR		Robbanásbiztos Villamos Berendezések Ungarn http://www.bki.hu	BKI-Ex
	American Bureau of Shipping USA http://www.eagle.org	ABS			

Electrical Engineering Laboratory Product Safety for Our Customers

For global use, terminal blocks must satisfy certain standards and obtain test certificates. These requirements apply to every manufacturer. WAGO also conducts its own tests to increase standards and offer greater reliability with its products. Products undergo a full range of mechanical, electrical and climatic testing, and we'll share a few of those processes with you.

Pull-Out Test (per EN 60947-7-1, EN 60998-2-2)

During the pull-out force test, a conductor is pulled on until it is removed from the clamping unit. The design of the terminals means that extraction only occurs after the standard pull-out force has been exceeded many times over.

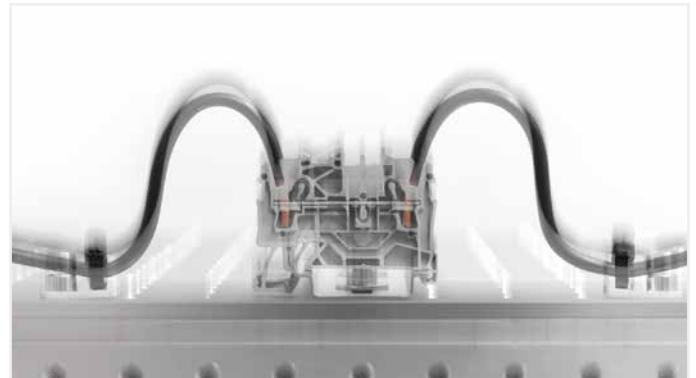
WAGO Test Lab

This means that WAGO's products can be used safely and reliably both in Europe and anywhere globally for a wide variety of applications. We heavily emphasize the importance of global acceptance during development. As a result, we can present documentation that verifies our high levels of product safety and reliability while ensuring the fulfillment and accuracy of technical data, which are the highest priorities for our customers and users worldwide. On December 22, 2009, our test lab was accredited by the German Accreditation Association (Deutsche Gesellschaft für Akkreditierung GmbH) in accordance with DIN EN ISO/IEC 17025.



Vibration Test (per IEC/EN 60068-2-6)

Depending on the application, such as railway (per EN 61373) or marine (per GL, LR, DNV), there are various testing requirements to determine if the long-term effects of vibrations degrade electrical connections. The test specimen is subjected to different loads on three axes in an electrodynamic vibration system. The amplitude, the acceleration, and particularly the frequency of the vibration vary during the test. The test values are increased many times over the standard values to meet special customer requirements.



Shock Test (per IEC/EN 60068-2-27)

The shock test is very similar to the vibration test except that, instead of continuous vibrations, single shocks are applied to the test specimen. Shock tests are usually performed, for example, at an acceleration of 20g over a period of 11 ms. Tests for special requirements often call for much higher values and are also conducted in our laboratory. Single-deck TOPJOB® S Rail-Mount Terminal Blocks, for example, pass shock tests up to 500g.



Voltage Drop Test under Bending Stress (per EN 60947-7-1, EN 60999-1)

The voltage drop test under bending stress simulates mechanical stress on the clamping unit. In everyday use, this stress can occur during installation, for example, when an electrician shoves connected conductors to the side in order to access a specific component. The quality of the clamping unit when moving a connected conductor can be validated by the constantly stable measured value of the voltage drop.





Deutsche Akkreditierungsstelle GmbH

Beliehene gemäß § 8 Absatz 1 AkkStelleG i.V.m. § 1 Absatz 1 AkkStelleGBV
Unterzeichnerin der Multilateralen Abkommen
von EA, ILAC und IAF zur gegenseitigen Anerkennung

Akkreditierung



Die Deutsche Akkreditierungsstelle GmbH bestätigt hiermit, dass das Prüflaboratorium

WAGO Kontakttechnik GmbH & Co. KG
Hansastraße 27, 32423 Minden

die Kompetenz nach DIN EN ISO/IEC 17025:2005 besitzt, Prüfungen in folgenden Bereichen durchzuführen:

**Elektrische und mechanische Prüfungen an Klemmen und Steckverbinder
sowie Umweltsimulation**

Die Akkreditierungsurkunde gilt nur in Verbindung mit dem Bescheid vom 18.12.2014 mit der Akkreditierungsnummer D-PL-19704-01 und ist gültig bis 17.12.2019. Sie besteht aus diesem Deckblatt, der Rückseite des Deckblatts und der folgenden Anlage mit insgesamt 5 Seiten.

Registrierungsnummer der Urkunde: **D-PL-19704-01-00**

Frankfurt am Main, 18.12.2014

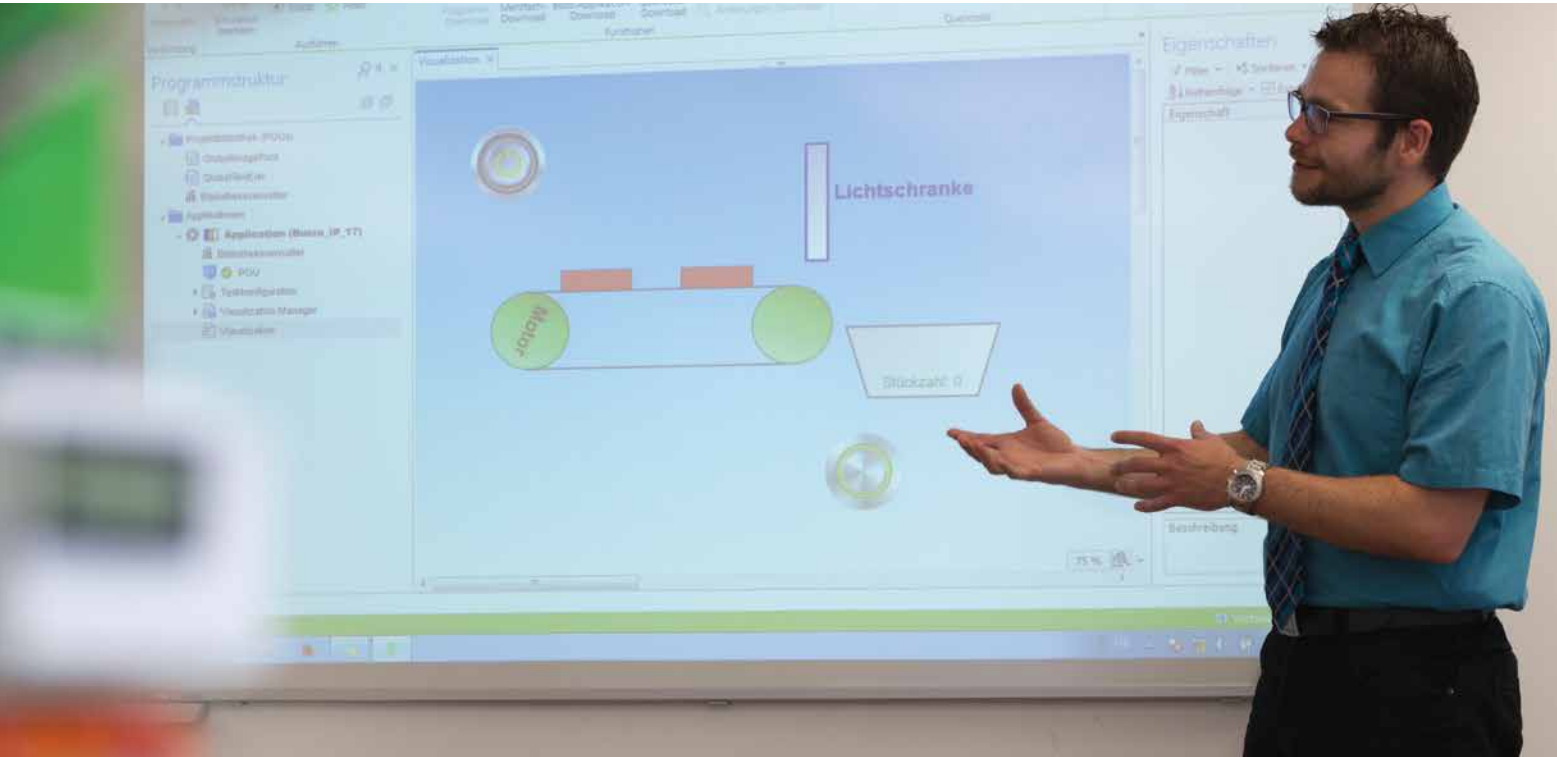
Siehe Hinweise auf der Rückseite

Im Auftrag Dipl.-Ing. (FH) Ralf Egner
Abteilungsleiter

A handwritten signature in blue ink, appearing to read 'R. Egner', is placed over the typed name and title.

WAGO Seminars

Learn Today – Benefit Tomorrow



Setting the Bar with Your Goals

Product-Related and Customer-Specific Seminars



Small Groups

The small class sizes of WAGO training seminars ensures that no question goes unanswered and no one is overlooked.



Teamwork

Learning as a group is very effective. Ideas can be discussed and exchanged while experiences can be shared – all for the benefit of the participants.



Practical Topics

Experience has shown that practice makes perfect. This is why the focus of every WAGO training seminar is on practical, hands-on learning.

WAGO Seminars

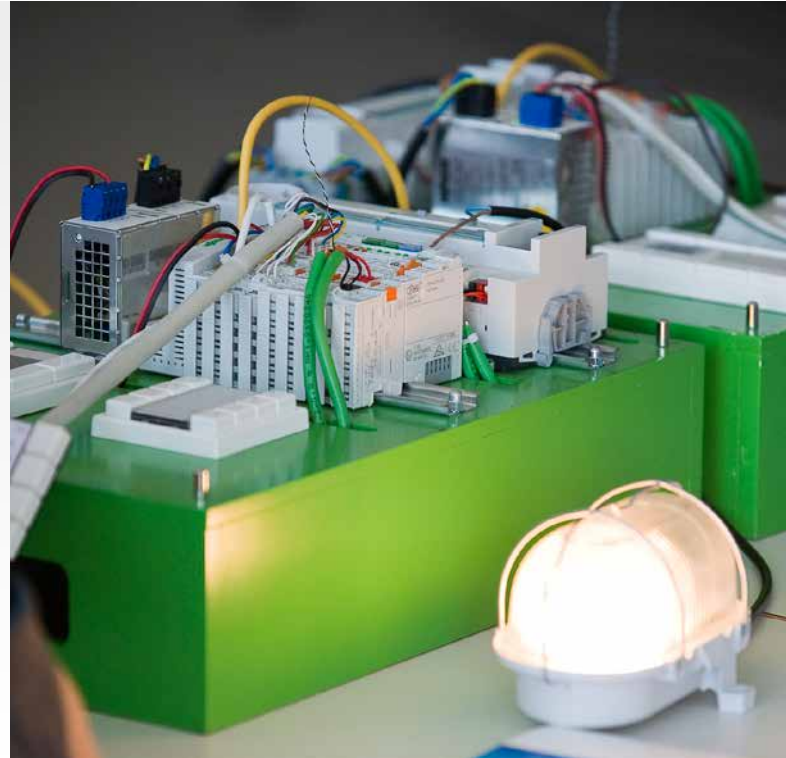
Experience the Benefits of First-Hand Knowledge and Expertise – Straight from the Source!

Our instructors are specialists who know all the ins and outs of WAGO's products. This ensures that the time devoted to each WAGO training seminar is an effective investment in expanding your own expertise.

Request your registration form by e-mail:

training@wago.com

**Contact your local
WAGO office.**



Product-Related Seminars

We regularly offer product-related seminars on the following topics:

- Building and industrial automation
- Programming of automation components
- Fieldbus systems

**Current Seminars:
www.wago.com**

Customer-Specific Seminars

In addition to these "open" seminars, we also offer seminars specially tailored to your organization and its particular needs. that are specifically tailored to your organization.

Upon request, we can also conduct these seminars at your location.

**Special
Corporate Seminars**



Indexes and Addresses

Indexes and Addresses

	Page
<hr/> Product Index	528
<hr/> Item Number Index	530
<hr/> WAGO Worldwide	548
<hr/>	

Item	Page	Item	Page	Item	Page
T					
Technical information					
- WINSTA® KNX	403				
- WINSTA® IDC	417				
T-distribution connectors					
- WINSTA® MINI	25				
- WINSTA® MINI special	111				
- WINSTA® MIDI	171				
- WINSTA® MIDI special	307				
- WINSTA® KNX	403				
Tools	506				
W					
WAGO					
- in Germany	548				
- worldwide	548				
WAGO SCRIPT, visit www.wago.com					
Wire strippers	508				
Wiring aid, WINSTA®	510				
Y					
Y-cables	373				

Item Number Index

Item No.	Page	Item No.	Page	Item No.	Page	Item No.	Page
206 Series		770 Series		770 Series		770 Series	
206-118	510	770-244	341	770-360	175	770-655	275
206-1125	508	770-244/060-000	341	770-382	175	770-656	212
206-1126	508	770-244/062-000	341	770-383	195	770-657	215
206-1127	508	770-244/064-000	341	770-401	486	770-658	215
206-1128	508	770-244/081-000	341	770-405	263	770-659	279
206-1129	508	770-245	357	770-408	205	770-661	283
206-1131	508	770-245/060-000	357	770-415	263	770-665	212
206-1132	508	770-245/062-000	357	770-418	205	770-667	212
206-1403	508	770-245/064-000	357	770-425	263	770-670	212
206-1411	508	770-252	311	770-428	205	770-671	277
206-1412	508	770-252/060-000	311	770-435	263	770-672	278
206-1413	508	770-253	324	770-438	205	770-673	213
206-1414	508	770-253/060-000	324	770-450	511	770-674	253
206-1415	508	770-253/062-000	324	770-450/000-001	511	770-675	279
206-1418	508	770-253/081-000	324	770-450/000-002	511	770-676	251
206-1419	508	770-254	341	770-450/000-005	511	770-677	252
		770-254/060-000	341	770-450/000-006	511	770-680	498
		770-254/062-000	341	770-450/000-012	511	770-683	213
		770-254/064-000	341	770-502/041-000	489	770-684	214
		770-254/081-000	341	770-502/042-000	176	770-685	213
		770-255	357	770-503	197	770-686	214
		770-255/060-000	357	770-503/021-000	491	770-687	216
		770-255/062-000	357	770-503/023-000	490	770-688	216
		770-255/064-000	357	770-503/032-000	490	770-690	281
		770-262	311	770-503/035-000	491	770-693	93
		770-263	323	770-503/038-000	491	770-694	241
		770-263/071-000	323	770-504	239	770-695	265
		770-263/073-000	323	770-504/023-000	492	770-703	201
		770-264	341	770-505	261	770-703/009-000	202
		770-264/071-000	341	770-505/021-000	493	770-704	241
		770-264/072-000	341	770-505/023-000	493	770-704/009-000	243
		770-264/073-000	341	770-506/029-000	494	770-705	265
		770-265	357	770-507/047-000	495	770-705/009-000	267
		770-265/073-000	357	770-512/041-000	489	770-713	201
		770-272	311	770-512/042-000	176	770-713/007-000	202
		770-273	324	770-513	197	770-714	242
		770-273/071-000	324	770-513/021-000	491	770-714/007-000	243
		770-273/073-000	324	770-513/023-000	490	770-715	266
		770-274	341	770-513/032-000	490	770-715/007-000	267
		770-274/071-000	341	770-513/035-000	491	770-723	201
		770-274/072-000	341	770-513/038-000	491	770-723/009-000	202
		770-274/073-000	341	770-514	239	770-724	241
		770-275	357	770-514/023-000	492	770-724/009-000	243
		770-275/073-000	357	770-515	261	770-725	265
		770-282	311	770-515/021-000	493	770-725/009-000	267
		770-282/080-000	311	770-515/023-000	493	770-733	201
		770-282/082-000	311	770-516/029-000	494	770-733/007-000	202
		770-283	323	770-517/047-000	495	770-734	242
		770-283/081-000	323	770-523	489	770-734/007-000	243
		770-283/082-000	323	770-601	487	770-735	266
		770-284	341	770-603	211	770-735/007-000	267
		770-284/081-000	341	770-605	275	770-743	327
		770-285	357	770-606	212	770-743/060-000	327
		770-285/080-000	357	770-607	215	770-743/062-000	327
		770-285/082-000	357	770-608	215	770-744	343
		770-292	311	770-609	279	770-744/060-000	343
		770-292/080-000	311	770-611	283	770-744/062-000	343
		770-292/082-000	311	770-615	212	770-744/064-000	343
		770-293	324	770-617	277	770-745	359
		770-293/081-000	324	770-618	279	770-745/060-000	359
		770-293/082-000	324	770-619	275	770-745/062-000	359
		770-294	341	770-620	278	770-745/064-000	359
		770-294/081-000	341	770-621	277	770-753	327
		770-295	357	770-622	278	770-753/060-000	327
		770-295/080-000	357	770-623	213	770-753/062-000	327
		770-295/082-000	357	770-624	253	770-754	343
		770-305	262	770-625	279	770-754/060-000	343
		770-315	262	770-626	251	770-754/062-000	343
		770-317	496	770-627	252	770-754/064-000	343
		770-318	496	770-630	498	770-755	359
		770-319	497	770-633	213	770-755/060-000	359
		770-320	497	770-634	214	770-755/062-000	359
		770-321	497	770-635	213	770-755/064-000	359
		770-325	262	770-636	214	770-763	327
		770-335	262	770-637	216	770-763/071-000	327
		770-337	496	770-638	216	770-763/073-000	327
		770-338	496	770-640	281	770-764	343
		770-339	497	770-643	93	770-764/071-000	343
		770-340	497	770-644	241	770-764/072-000	343
		770-341	497	770-645	265	770-764/073-000	343
		770-354	179	770-653	211	770-765	359

Item No.	Page	Item No.	Page	Item No.	Page	Item No.	Page
770 Series		770 Series		770 Series		770 Series	
770-765/073-000	359	770-854/011-000/062-000	346	770-936	214	770-1714	335
770-773	327	770-854/011-000/064-000	346	770-940	281	770-1715	335
770-773/071-000	327	770-854/060-000	345	770-944	252	770-1716	335
770-773/073-000	327	770-854/062-000	345	770-945	253	770-1731	349
770-774	343	770-854/064-000	345	770-951	275	770-1732	349
770-774/071-000	343	770-855/011-000/060-000	362	770-952	276	770-1733	349
770-774/072-000	343	770-855/011-000/062-000	362	770-953	276	770-1734	351
770-774/073-000	343	770-855/011-000/064-000	362	770-967	333	770-1735	351
770-775	359	770-863	329	770-970	333	770-1736	351
770-775/073-000	359	770-863/011-000	330	770-992	278	770-1741	365
770-783	327	770-863/011-000/071-000	330	770-993	279	770-1742	365
770-783/081-000	327	770-863/011-000/073-000	330	770-994	252	770-1743	365
770-783/082-000	327	770-863/071-000	329	770-995	253	770-1744	366
770-784	343	770-863/073-000	329	770-1102	176	770-1745	366
770-784/081-000	343	770-864	345	770-1105	260	770-1746	366
770-785	359	770-864/011-000	346	770-1112	176	770-1751	315
770-785/080-000	359	770-864/011-000/071-000	346	770-1115	261	770-1752	315
770-785/082-000	359	770-864/011-000/072-000	346	770-1162	176	770-1753	315
770-793	327	770-864/011-000/073-000	346	770-1165	260	770-1761	334
770-793/081-000	327	770-864/071-000	345	770-1172	176	770-1762	334
770-793/082-000	327	770-864/072-000	345	770-1175	261	770-1763	334
770-794	343	770-864/073-000	345	770-1303	197	770-1781	350
770-794/081-000	343	770-865	361	770-1305	260	770-1782	350
770-795	359	770-865/011-000	362	770-1313	198	770-1783	350
770-795/080-000	359	770-865/073-000	361	770-1315	261	770-1947	280
770-795/082-000	359	770-873	329	770-1324	238	770-2105	265
770-803	207	770-873/011-000	330	770-1325	260	770-2115	266
770-803/011-000	208	770-873/011-000/071-000	330	770-1334	239	770-2115/007-000	267
770-804	247	770-873/011-000/073-000	330	770-1335	261	770-2303	201
770-804/011-000	248	770-873/071-000	329	770-1343	197	770-2305	265
770-805	271	770-873/073-000	329	770-1353	198	770-2313	201
770-805/011-000	272	770-874	345	770-1363	197	770-2313/007-000	202
770-813	207	770-874/011-000	346	770-1373	198	770-2315	266
770-813/011-000	208	770-874/011-000/071-000	346	770-1373/146-000	488	770-2324	241
770-814	247	770-874/011-000/072-000	346	770-1373/147-000	488	770-2325	265
770-814/011-000	248	770-874/011-000/073-000	346	770-1373/148-000	488	770-2334	242
770-815	271	770-874/071-000	345	770-1373/149-000	488	770-2334/007-000	244
770-815/011-000	272	770-874/072-000	345	770-1601	313	770-2335	266
770-823	207	770-874/073-000	345	770-1602	313	770-2335/007-000	268
770-823/011-000	208	770-875/011-000	362	770-1603	313	770-2343	201
770-824	247	770-875/011-000/073-000	362	770-1606	179	770-2353	201
770-824/011-000	248	770-883	329	770-1608	314	770-2363	201
770-825	271	770-883/011-000	330	770-1609	314	770-3105	271
770-825/011-000	272	770-883/011-000/081-000	330	770-1610	314	770-3105/011-000	272
770-833	207	770-883/011-000/082-000	330	770-1612	333	770-3115	271
770-833/011-000	208	770-883/081-000	329	770-1613	333	770-3115/011-000	272
770-834	247	770-883/082-000	329	770-1615	180	770-6223	211
770-834/011-000	248	770-884	345	770-1626	181	770-6224	251
770-835	271	770-884/011-000	346	770-1627	181	770-6225	277
770-835/011-000	272	770-884/011-000/081-000	346	770-1631	349	770-7102	179
770-843	329	770-884/081-000	345	770-1632	349	770-7105	277
770-843/011-000	330	770-885	361	770-1633	349	770-7502	179
770-843/011-000/060-000	330	770-885/011-000	362	770-1634	180	770-7505	277
770-843/011-000/062-000	330	770-885/011-000/080-000	362	770-1636	181		
770-843/060-000	329	770-885/011-000/082-000	362	770-1641	365		
770-843/062-000	329	770-885/080-000	361	770-1642	365	771 Series	
770-844	345	770-885/082-000	361	770-1643	365	771-5001/100-000	377
770-844/011-000	346	770-893	329	770-1651	315	771-5001/106-000	376
770-844/011-000/060-000	346	770-893/011-000	330	770-1652	315	771-5001/107-000	376
770-844/011-000/062-000	346	770-893/011-000/081-000	330	770-1653	315	771-5001/110-000	377
770-844/011-000/064-000	346	770-893/011-000/082-000	330	770-1656	179	771-5001/131-000	376
770-844/060-000	345	770-893/081-000	329	770-1658	314	771-5001/132-000	376
770-844/062-000	345	770-893/082-000	329	770-1659	314	771-5001/148-000	378
770-844/064-000	345	770-894	345	770-1660	314	771-5001/149-000	378
770-845	361	770-894/011-000	346	770-1661	334	771-5001/150-000	378
770-845/011-000	362	770-894/011-000/081-000	346	770-1662	334	771-5001/151-000	378
770-845/011-000/060-000	362	770-894/081-000	345	770-1663	334	771-5001/152-000	378
770-845/011-000/062-000	362	770-895/011-000	362	770-1665	180	771-5001/153-000	378
770-845/011-000/064-000	362	770-895/011-000/080-000	362	770-1681	350	771-5001/154-000	378
770-845/060-000	361	770-895/011-000/082-000	362	770-1682	350	771-5001/155-000	378
770-845/062-000	361	770-901	275	770-1683	350	771-5001/156-000	378
770-845/064-000	361	770-902	276	770-1684	180	771-5001/157-000	378
770-853	329	770-903	276	770-1686	181	771-5001/158-000	378
770-853/011-000	330	770-907	215	770-1701	313	771-5001/159-000	378
770-853/011-000/060-000	330	770-909	279	770-1702	313	771-5001/160-000	378
770-853/011-000/062-000	330	770-911	275	770-1703	313	771-5001/161-000	378
770-853/060-000	329	770-912	276	770-1704	316	771-5001/162-000	378
770-853/062-000	329	770-913	276	770-1705	316	771-5001/163-000	378
770-854	345	770-921	277	770-1706	316	771-5001/164-000	378
770-854/011-000	346	770-922	278	770-1712	333	771-5001/165-000	378
770-854/011-000/060-000	346	770-934	214	770-1713	333	771-5001/166-000	378

Item Number Index

Item No.	Page	Item No.	Page	Item No.	Page	Item No.	Page
771 Series		771 Series		771 Series		771 Series	
771-5001/167-000	378	771-6993/106-101	231	771-6993/207-102	233	771-8982/006-503	187
771-5001/168-000	378	771-6993/106-102	231	771-6993/207-201	233	771-8982/006-504	187
771-5001/169-000	378	771-6993/106-201	231	771-6993/207-202	233	771-8982/006-601	185
771-5001/170-000	378	771-6993/106-202	231	771-6993/207-301	233	771-8982/006-602	185
771-5001/171-000	378	771-6993/106-301	231	771-6993/207-302	233	771-8982/006-603	187
771-5001/172-000	378	771-6993/106-302	231	771-6993/207-401	233	771-8982/006-604	187
771-5001/173-000	378	771-6993/106-401	231	771-6993/207-402	233	771-8982/006-701	185
771-5001/174-000	378	771-6993/106-402	231	771-6993/207-501	233	771-8982/006-702	185
771-5001/175-000	378	771-6993/106-501	231	771-6993/207-502	233	771-8982/006-703	187
771-5001/176-000	378	771-6993/106-502	231	771-6993/207-601	233	771-8982/006-704	187
771-5001/177-000	378	771-6993/106-601	231	771-6993/207-602	233	771-8982/006-801	185
771-5001/178-000	378	771-6993/106-602	231	771-6993/207-701	233	771-8982/006-802	185
771-5001/179-000	378	771-6993/106-701	231	771-6993/207-702	233	771-8982/006-803	187
771-5001/180-000	379	771-6993/106-702	231	771-6993/207-801	233	771-8982/006-804	187
771-5001/181-000	379	771-6993/106-801	231	771-6993/207-802	233	771-8982/007-103	191
771-5001/182-000	379	771-6993/106-802	231	771-6993/216-101	232	771-8982/007-104	191
771-5001/183-000	379	771-6993/107-101	233	771-6993/216-102	232	771-8982/007-203	191
771-6993/006-101	231	771-6993/107-102	233	771-6993/216-201	232	771-8982/007-204	191
771-6993/006-102	231	771-6993/107-201	233	771-6993/216-202	232	771-8982/007-303	191
771-6993/006-201	231	771-6993/107-202	233	771-6993/216-301	232	771-8982/007-304	191
771-6993/006-202	231	771-6993/107-301	233	771-6993/216-302	232	771-8982/007-403	191
771-6993/006-301	231	771-6993/107-302	233	771-6993/216-401	232	771-8982/007-404	191
771-6993/006-302	231	771-6993/107-401	233	771-6993/216-402	232	771-8982/007-503	191
771-6993/006-401	231	771-6993/107-402	233	771-6993/216-501	232	771-8982/007-504	191
771-6993/006-402	231	771-6993/107-501	233	771-6993/216-502	232	771-8982/007-603	191
771-6993/006-501	231	771-6993/107-502	233	771-6993/216-601	232	771-8982/007-604	191
771-6993/006-502	231	771-6993/107-601	233	771-6993/216-602	232	771-8982/007-703	191
771-6993/006-601	231	771-6993/107-602	233	771-6993/216-701	232	771-8982/007-704	191
771-6993/006-602	231	771-6993/107-701	233	771-6993/216-702	232	771-8982/007-803	191
771-6993/006-701	231	771-6993/107-702	233	771-6993/216-801	232	771-8982/007-804	191
771-6993/006-702	231	771-6993/107-801	233	771-6993/216-802	232	771-8982/016-101	186
771-6993/006-801	231	771-6993/107-802	233	771-6993/217-101	234	771-8982/016-102	186
771-6993/006-802	231	771-6993/116-101	232	771-6993/217-102	234	771-8982/016-103	188
771-6993/007-101	233	771-6993/116-102	232	771-6993/217-201	234	771-8982/016-104	188
771-6993/007-102	233	771-6993/116-201	232	771-6993/217-202	234	771-8982/016-201	186
771-6993/007-201	233	771-6993/116-202	232	771-6993/217-301	234	771-8982/016-202	186
771-6993/007-202	233	771-6993/116-301	232	771-6993/217-302	234	771-8982/016-203	188
771-6993/007-301	233	771-6993/116-302	232	771-6993/217-401	234	771-8982/016-204	188
771-6993/007-302	233	771-6993/116-401	232	771-6993/217-402	234	771-8982/016-301	186
771-6993/007-401	233	771-6993/116-402	232	771-6993/217-501	234	771-8982/016-302	186
771-6993/007-402	233	771-6993/116-501	232	771-6993/217-502	234	771-8982/016-303	188
771-6993/007-501	233	771-6993/116-502	232	771-6993/217-601	234	771-8982/016-304	188
771-6993/007-502	233	771-6993/116-601	232	771-6993/217-602	234	771-8982/016-401	186
771-6993/007-601	233	771-6993/116-602	232	771-6993/217-701	234	771-8982/016-402	186
771-6993/007-602	233	771-6993/116-701	232	771-6993/217-702	234	771-8982/016-403	188
771-6993/007-701	233	771-6993/116-702	232	771-6993/217-801	234	771-8982/016-404	188
771-6993/007-702	233	771-6993/116-801	232	771-6993/217-802	234	771-8982/016-501	186
771-6993/007-801	233	771-6993/116-802	232	771-8965/007-101	293	771-8982/016-502	186
771-6993/007-802	233	771-6993/117-101	234	771-8965/007-102	293	771-8982/016-503	188
771-6993/016-101	232	771-6993/117-102	234	771-8965/007-201	293	771-8982/016-504	188
771-6993/016-102	232	771-6993/117-201	234	771-8965/007-202	293	771-8982/016-601	186
771-6993/016-201	232	771-6993/117-202	234	771-8965/017-101	294	771-8982/016-602	186
771-6993/016-202	232	771-6993/117-301	234	771-8965/017-102	294	771-8982/016-603	188
771-6993/016-301	232	771-6993/117-302	234	771-8965/017-201	294	771-8982/016-604	188
771-6993/016-302	232	771-6993/117-401	234	771-8965/017-202	294	771-8982/016-701	186
771-6993/016-401	232	771-6993/117-402	234	771-8965/107-101	293	771-8982/016-702	186
771-6993/016-402	232	771-6993/117-501	234	771-8965/107-102	293	771-8982/016-703	188
771-6993/016-501	232	771-6993/117-502	234	771-8965/107-201	293	771-8982/016-704	188
771-6993/016-502	232	771-6993/117-601	234	771-8965/107-202	293	771-8982/016-801	186
771-6993/016-601	232	771-6993/117-602	234	771-8965/117-101	294	771-8982/016-802	186
771-6993/016-602	232	771-6993/117-701	234	771-8965/117-102	294	771-8982/016-803	188
771-6993/016-701	232	771-6993/117-702	234	771-8965/117-201	294	771-8982/016-804	188
771-6993/016-702	232	771-6993/117-801	234	771-8965/117-202	294	771-8982/017-103	192
771-6993/016-801	232	771-6993/117-802	234	771-8982/006-101	185	771-8982/017-104	192
771-6993/016-802	232	771-6993/206-101	231	771-8982/006-102	185	771-8982/017-203	192
771-6993/017-101	234	771-6993/206-102	231	771-8982/006-103	187	771-8982/017-204	192
771-6993/017-102	234	771-6993/206-201	231	771-8982/006-104	187	771-8982/017-303	192
771-6993/017-201	234	771-6993/206-202	231	771-8982/006-201	185	771-8982/017-304	192
771-6993/017-202	234	771-6993/206-301	231	771-8982/006-202	185	771-8982/017-403	192
771-6993/017-301	234	771-6993/206-302	231	771-8982/006-203	187	771-8982/017-404	192
771-6993/017-302	234	771-6993/206-401	231	771-8982/006-204	187	771-8982/017-503	192
771-6993/017-401	234	771-6993/206-402	231	771-8982/006-301	185	771-8982/017-504	192
771-6993/017-402	234	771-6993/206-501	231	771-8982/006-302	185	771-8982/017-603	192
771-6993/017-501	234	771-6993/206-502	231	771-8982/006-303	187	771-8982/017-604	192
771-6993/017-502	234	771-6993/206-601	231	771-8982/006-304	187	771-8982/017-703	192
771-6993/017-601	234	771-6993/206-602	231	771-8982/006-401	185	771-8982/017-704	192
771-6993/017-602	234	771-6993/206-701	231	771-8982/006-402	185	771-8982/017-803	192
771-6993/017-701	234	771-6993/206-702	231	771-8982/006-403	187	771-8982/017-804	192
771-6993/017-702	234	771-6993/206-801	231	771-8982/006-404	187	771-8982/106-101	185
771-6993/017-801	234	771-6993/206-802	231	771-8982/006-501	185	771-8982/106-102	185
771-6993/017-802	234	771-6993/207-101	233	771-8982/006-502	185	771-8982/106-103	187

Item No.	Page	Item No.	Page	Item No.	Page	Item No.	Page
771 Series		771 Series		771 Series		771 Series	
771-8982/106-104	187	771-8982/117-303	192	771-8982/216-602	186	771-8985/017-403	300
771-8982/106-201	185	771-8982/117-304	192	771-8982/216-603	188	771-8985/017-404	300
771-8982/106-202	185	771-8982/117-403	192	771-8982/216-604	188	771-8985/017-503	300
771-8982/106-203	187	771-8982/117-404	192	771-8982/216-701	186	771-8985/017-504	300
771-8982/106-204	187	771-8982/117-503	192	771-8982/216-702	186	771-8985/017-603	300
771-8982/106-301	185	771-8982/117-504	192	771-8982/216-703	188	771-8985/017-604	300
771-8982/106-302	185	771-8982/117-603	192	771-8982/216-704	188	771-8985/017-703	300
771-8982/106-303	187	771-8982/117-604	192	771-8982/216-801	186	771-8985/017-704	300
771-8982/106-304	187	771-8982/117-703	192	771-8982/216-802	186	771-8985/017-803	300
771-8982/106-401	185	771-8982/117-704	192	771-8982/216-803	188	771-8985/017-804	300
771-8982/106-402	185	771-8982/117-803	192	771-8982/216-804	188	771-8985/106-103	289
771-8982/106-403	187	771-8982/117-804	192	771-8982/217-103	192	771-8985/106-104	289
771-8982/106-404	187	771-8982/206-101	185	771-8982/217-104	192	771-8985/106-203	289
771-8982/106-501	185	771-8982/206-102	185	771-8982/217-203	192	771-8985/106-204	289
771-8982/106-502	185	771-8982/206-103	187	771-8982/217-204	192	771-8985/106-303	289
771-8982/106-503	187	771-8982/206-104	187	771-8982/217-303	192	771-8985/106-304	289
771-8982/106-504	187	771-8982/206-201	185	771-8982/217-304	192	771-8985/106-403	289
771-8982/106-601	185	771-8982/206-202	185	771-8982/217-403	192	771-8985/106-404	289
771-8982/106-602	185	771-8982/206-203	187	771-8982/217-404	192	771-8985/106-503	289
771-8982/106-603	187	771-8982/206-204	187	771-8982/217-503	192	771-8985/106-504	289
771-8982/106-604	187	771-8982/206-301	185	771-8982/217-504	192	771-8985/106-603	289
771-8982/106-701	185	771-8982/206-302	185	771-8982/217-603	192	771-8985/106-604	289
771-8982/106-702	185	771-8982/206-303	187	771-8982/217-604	192	771-8985/106-703	289
771-8982/106-703	187	771-8982/206-304	187	771-8982/217-703	192	771-8985/106-704	289
771-8982/106-704	187	771-8982/206-401	185	771-8982/217-704	192	771-8985/107-103	289
771-8982/106-801	185	771-8982/206-402	185	771-8982/217-803	192	771-8985/107-104	289
771-8982/106-802	185	771-8982/206-403	187	771-8982/217-804	192	771-8985/107-203	299
771-8982/106-803	187	771-8982/206-404	187	771-8985/006-103	289	771-8985/107-204	299
771-8982/106-804	187	771-8982/206-501	185	771-8985/006-104	289	771-8985/107-303	299
771-8982/107-103	191	771-8982/206-502	185	771-8985/006-203	289	771-8985/107-304	299
771-8982/107-104	191	771-8982/206-503	187	771-8985/006-204	289	771-8985/107-403	299
771-8982/107-203	191	771-8982/206-504	187	771-8985/006-303	289	771-8985/107-404	299
771-8982/107-204	191	771-8982/206-601	185	771-8985/006-304	289	771-8985/107-503	299
771-8982/107-303	191	771-8982/206-602	185	771-8985/006-403	289	771-8985/107-504	299
771-8982/107-304	191	771-8982/206-603	187	771-8985/006-404	289	771-8985/107-603	299
771-8982/107-403	191	771-8982/206-604	187	771-8985/006-503	289	771-8985/107-604	299
771-8982/107-404	191	771-8982/206-701	185	771-8985/006-504	289	771-8985/107-703	299
771-8982/107-503	191	771-8982/206-702	185	771-8985/006-603	289	771-8985/107-704	299
771-8982/107-504	191	771-8982/206-703	187	771-8985/006-604	289	771-8985/107-803	299
771-8982/107-603	191	771-8982/206-704	187	771-8985/006-703	289	771-8985/107-804	299
771-8982/107-604	191	771-8982/206-801	185	771-8985/006-704	289	771-8985/116-103	290
771-8982/107-703	191	771-8982/206-802	185	771-8985/006-803	289	771-8985/116-104	290
771-8982/107-704	191	771-8982/206-803	187	771-8985/006-804	289	771-8985/116-203	290
771-8982/107-803	191	771-8982/206-804	187	771-8985/007-103	299	771-8985/116-204	290
771-8982/107-804	191	771-8982/207-103	191	771-8985/007-104	299	771-8985/116-303	290
771-8982/116-101	186	771-8982/207-104	191	771-8985/007-203	299	771-8985/116-304	290
771-8982/116-102	186	771-8982/207-203	191	771-8985/007-204	299	771-8985/116-403	290
771-8982/116-103	188	771-8982/207-204	191	771-8985/007-303	299	771-8985/116-404	290
771-8982/116-104	188	771-8982/207-303	191	771-8985/007-304	299	771-8985/116-503	290
771-8982/116-201	186	771-8982/207-304	191	771-8985/007-403	299	771-8985/116-504	290
771-8982/116-202	186	771-8982/207-403	191	771-8985/007-404	299	771-8985/116-603	290
771-8982/116-203	188	771-8982/207-404	191	771-8985/007-503	299	771-8985/116-604	290
771-8982/116-204	188	771-8982/207-503	191	771-8985/007-504	299	771-8985/116-703	290
771-8982/116-301	186	771-8982/207-504	191	771-8985/007-603	299	771-8985/116-704	290
771-8982/116-302	186	771-8982/207-603	191	771-8985/007-604	299	771-8985/116-803	290
771-8982/116-303	188	771-8982/207-604	191	771-8985/007-703	299	771-8985/116-804	290
771-8982/116-304	188	771-8982/207-703	191	771-8985/007-704	299	771-8985/117-103	300
771-8982/116-401	186	771-8982/207-704	191	771-8985/007-803	299	771-8985/117-104	300
771-8982/116-402	186	771-8982/207-803	191	771-8985/007-804	299	771-8985/117-203	300
771-8982/116-403	188	771-8982/207-804	191	771-8985/016-103	290	771-8985/117-204	300
771-8982/116-404	188	771-8982/216-101	186	771-8985/016-104	290	771-8985/117-303	300
771-8982/116-501	186	771-8982/216-102	186	771-8985/016-203	290	771-8985/117-304	300
771-8982/116-502	186	771-8982/216-103	188	771-8985/016-204	290	771-8985/117-403	300
771-8982/116-503	188	771-8982/216-104	188	771-8985/016-303	290	771-8985/117-404	300
771-8982/116-504	188	771-8982/216-201	186	771-8985/016-304	290	771-8985/117-503	300
771-8982/116-601	186	771-8982/216-202	186	771-8985/016-403	290	771-8985/117-504	300
771-8982/116-602	186	771-8982/216-203	188	771-8985/016-404	290	771-8985/117-603	300
771-8982/116-603	188	771-8982/216-204	188	771-8985/016-503	290	771-8985/117-604	300
771-8982/116-604	188	771-8982/216-301	186	771-8985/016-504	290	771-8985/117-703	300
771-8982/116-701	186	771-8982/216-302	186	771-8985/016-603	290	771-8985/117-704	300
771-8982/116-702	186	771-8982/216-303	188	771-8985/016-604	290	771-8985/117-803	300
771-8982/116-703	188	771-8982/216-304	188	771-8985/016-703	290	771-8985/117-804	300
771-8982/116-704	188	771-8982/216-401	186	771-8985/016-704	290	771-8985/206-103	289
771-8982/116-801	186	771-8982/216-402	186	771-8985/016-803	290	771-8985/206-104	289
771-8982/116-802	186	771-8982/216-403	188	771-8985/016-804	290	771-8985/206-203	289
771-8982/116-803	188	771-8982/216-404	188	771-8985/017-103	300	771-8985/206-303	289
771-8982/116-804	188	771-8982/216-501	186	771-8985/017-104	300	771-8985/206-304	289
771-8982/117-103	192	771-8982/216-502	186	771-8985/017-203	300	771-8985/206-304	289
771-8982/117-104	192	771-8982/216-503	188	771-8985/017-204	300	771-8985/206-403	289
771-8982/117-203	192	771-8982/216-504	188	771-8985/017-303	300		
771-8982/117-204	192	771-8982/216-601	186	771-8985/017-304	300		

Item Number Index

Item No.	Page	Item No.	Page	Item No.	Page	Item No.	Page
771 Series		771 Series		771 Series		771 Series	
771-8985/206-404	289	771-8992/006-101	183	771-8992/017-502	190	771-8992/107-601	189
771-8985/206-503	289	771-8992/006-102	183	771-8992/017-601	190	771-8992/107-602	189
771-8985/206-504	289	771-8992/006-103	320	771-8992/017-602	190	771-8992/107-701	189
771-8985/206-603	289	771-8992/006-105	320	771-8992/017-701	190	771-8992/107-702	189
771-8985/206-604	289	771-8992/006-107	320	771-8992/017-702	190	771-8992/107-801	189
771-8985/206-703	289	771-8992/006-201	183	771-8992/017-801	190	771-8992/107-802	189
771-8985/206-704	289	771-8992/006-202	183	771-8992/017-802	190	771-8992/116-101	184
771-8985/206-803	289	771-8992/006-203	320	771-8992/105-103	319	771-8992/116-102	184
771-8985/206-804	289	771-8992/006-205	320	771-8992/105-105	319	771-8992/116-201	184
771-8985/207-103	299	771-8992/006-207	320	771-8992/105-107	319	771-8992/116-202	184
771-8985/207-104	299	771-8992/006-301	183	771-8992/105-203	319	771-8992/116-301	184
771-8985/207-203	299	771-8992/006-302	183	771-8992/105-205	319	771-8992/116-302	184
771-8985/207-204	299	771-8992/006-303	320	771-8992/105-207	319	771-8992/116-401	184
771-8985/207-303	299	771-8992/006-305	320	771-8992/105-303	319	771-8992/116-402	184
771-8985/207-304	299	771-8992/006-307	320	771-8992/105-305	319	771-8992/116-501	184
771-8985/207-403	299	771-8992/006-401	183	771-8992/105-307	319	771-8992/116-502	184
771-8985/207-404	299	771-8992/006-402	183	771-8992/105-403	319	771-8992/116-601	184
771-8985/207-503	299	771-8992/006-403	320	771-8992/105-405	319	771-8992/116-602	184
771-8985/207-504	299	771-8992/006-405	320	771-8992/105-407	319	771-8992/116-701	184
771-8985/207-603	299	771-8992/006-407	320	771-8992/105-503	319	771-8992/116-702	184
771-8985/207-604	299	771-8992/006-501	183	771-8992/105-505	319	771-8992/116-801	184
771-8985/207-703	299	771-8992/006-502	183	771-8992/105-507	319	771-8992/116-802	184
771-8985/207-704	299	771-8992/006-503	320	771-8992/105-603	319	771-8992/117-101	190
771-8985/207-803	299	771-8992/006-505	320	771-8992/105-605	319	771-8992/117-102	190
771-8985/207-804	299	771-8992/006-507	320	771-8992/105-607	319	771-8992/117-201	190
771-8985/216-103	290	771-8992/006-601	183	771-8992/105-703	319	771-8992/117-202	190
771-8985/216-104	290	771-8992/006-602	183	771-8992/105-705	319	771-8992/117-301	190
771-8985/216-203	290	771-8992/006-603	320	771-8992/105-707	319	771-8992/117-302	190
771-8985/216-204	290	771-8992/006-605	320	771-8992/105-803	319	771-8992/117-401	190
771-8985/216-303	290	771-8992/006-607	320	771-8992/105-805	319	771-8992/117-402	190
771-8985/216-304	290	771-8992/006-701	183	771-8992/105-807	319	771-8992/117-501	190
771-8985/216-403	290	771-8992/006-702	183	771-8992/106-101	183	771-8992/117-502	190
771-8985/216-404	290	771-8992/006-703	320	771-8992/106-102	183	771-8992/117-601	190
771-8985/216-503	290	771-8992/006-705	320	771-8992/106-103	320	771-8992/117-602	190
771-8985/216-504	290	771-8992/006-707	320	771-8992/106-105	320	771-8992/117-701	190
771-8985/216-603	290	771-8992/006-801	183	771-8992/106-107	320	771-8992/117-702	190
771-8985/216-604	290	771-8992/006-802	183	771-8992/106-201	183	771-8992/117-801	190
771-8985/216-703	290	771-8992/006-803	320	771-8992/106-202	183	771-8992/117-802	190
771-8985/216-704	290	771-8992/006-805	320	771-8992/106-203	320	771-8992/205-103	319
771-8985/216-803	290	771-8992/006-807	320	771-8992/106-205	320	771-8992/205-105	319
771-8985/216-804	290	771-8992/007-101	189	771-8992/106-207	320	771-8992/205-107	319
771-8985/217-103	300	771-8992/007-102	189	771-8992/106-301	183	771-8992/205-203	319
771-8985/217-104	300	771-8992/007-201	189	771-8992/106-302	183	771-8992/205-205	319
771-8985/217-203	300	771-8992/007-202	189	771-8992/106-303	320	771-8992/205-207	319
771-8985/217-204	300	771-8992/007-301	189	771-8992/106-305	320	771-8992/205-303	319
771-8985/217-303	300	771-8992/007-302	189	771-8992/106-307	320	771-8992/205-305	319
771-8985/217-304	300	771-8992/007-401	189	771-8992/106-401	183	771-8992/205-307	319
771-8985/217-403	300	771-8992/007-402	189	771-8992/106-402	183	771-8992/205-403	319
771-8985/217-404	300	771-8992/007-501	189	771-8992/106-403	320	771-8992/205-405	319
771-8985/217-503	300	771-8992/007-502	189	771-8992/106-405	320	771-8992/205-407	319
771-8985/217-504	300	771-8992/007-601	189	771-8992/106-407	320	771-8992/205-503	319
771-8985/217-603	300	771-8992/007-602	189	771-8992/106-501	183	771-8992/205-505	319
771-8985/217-604	300	771-8992/007-701	189	771-8992/106-502	183	771-8992/205-507	319
771-8985/217-703	300	771-8992/007-702	189	771-8992/106-503	320	771-8992/205-603	319
771-8985/217-704	300	771-8992/007-801	189	771-8992/106-505	320	771-8992/205-605	319
771-8985/217-803	300	771-8992/007-802	189	771-8992/106-507	320	771-8992/205-607	319
771-8985/217-804	300	771-8992/016-101	184	771-8992/106-601	183	771-8992/205-703	319
771-8992/005-103	319	771-8992/016-102	184	771-8992/106-602	183	771-8992/205-705	319
771-8992/005-105	319	771-8992/016-201	184	771-8992/106-603	320	771-8992/205-803	319
771-8992/005-107	319	771-8992/016-202	184	771-8992/106-605	320	771-8992/205-805	319
771-8992/005-203	319	771-8992/016-301	184	771-8992/106-607	320	771-8992/206-101	183
771-8992/005-205	319	771-8992/016-302	184	771-8992/106-701	183	771-8992/206-102	183
771-8992/005-207	319	771-8992/016-401	184	771-8992/106-702	183	771-8992/206-103	320
771-8992/005-303	319	771-8992/016-402	184	771-8992/106-703	320	771-8992/206-105	320
771-8992/005-305	319	771-8992/016-501	184	771-8992/106-705	320	771-8992/206-107	320
771-8992/005-307	319	771-8992/016-502	184	771-8992/106-707	320	771-8992/206-201	183
771-8992/005-403	319	771-8992/016-601	184	771-8992/106-801	183	771-8992/206-202	183
771-8992/005-405	319	771-8992/016-602	184	771-8992/106-802	183	771-8992/206-203	320
771-8992/005-407	319	771-8992/016-701	184	771-8992/106-803	320	771-8992/206-205	320
771-8992/005-503	319	771-8992/016-702	184	771-8992/106-805	320	771-8992/206-207	320
771-8992/005-505	319	771-8992/016-801	184	771-8992/106-807	320	771-8992/206-301	183
771-8992/005-507	319	771-8992/016-802	184	771-8992/107-101	189	771-8992/206-302	183
771-8992/005-603	319	771-8992/017-101	190	771-8992/107-102	189	771-8992/206-303	320
771-8992/005-605	319	771-8992/017-102	190	771-8992/107-201	189	771-8992/206-305	320
771-8992/005-607	319	771-8992/017-201	190	771-8992/107-202	189	771-8992/206-307	320
771-8992/005-703	319	771-8992/017-202	190	771-8992/107-301	189	771-8992/206-401	183
771-8992/005-705	319	771-8992/017-301	190	771-8992/107-302	189	771-8992/206-402	183
771-8992/005-707	319	771-8992/017-302	190	771-8992/107-401	189	771-8992/206-403	320
771-8992/005-803	319	771-8992/017-401	190	771-8992/107-402	189	771-8992/206-405	320
771-8992/005-805	319	771-8992/017-402	190	771-8992/107-501	189	771-8992/206-407	320
771-8992/005-807	319	771-8992/017-501	190	771-8992/107-502	189	771-8992/206-501	183

Item No.	Page	Item No.	Page	Item No.	Page	Item No.	Page
771 Series							
771-8992/206-502	183	771-8995/018-601	304	771-9973/016-301	222	771-9973/116-802	222
771-8992/206-503	320	771-8995/018-701	304	771-9973/016-302	222	771-9973/117-101	228
771-8992/206-505	320	771-8995/018-801	304	771-9973/016-305	224	771-9973/117-102	228
771-8992/206-507	320	771-8995/108-101	303	771-9973/016-401	222	771-9973/117-201	228
771-8992/206-601	183	771-8995/108-201	303	771-9973/016-402	222	771-9973/117-202	228
771-8992/206-602	183	771-8995/108-301	303	771-9973/016-405	224	771-9973/117-301	228
771-8992/206-603	320	771-8995/108-401	303	771-9973/016-501	222	771-9973/117-302	228
771-8992/206-605	320	771-8995/108-501	303	771-9973/016-502	222	771-9973/117-401	228
771-8992/206-607	320	771-8995/108-601	303	771-9973/016-505	224	771-9973/117-402	228
771-8992/206-701	183	771-8995/108-701	303	771-9973/016-601	222	771-9973/117-501	228
771-8992/206-702	183	771-8995/108-801	303	771-9973/016-602	222	771-9973/117-502	228
771-8992/206-703	320	771-8995/118-101	304	771-9973/016-605	224	771-9973/117-601	228
771-8992/206-705	320	771-8995/118-201	304	771-9973/016-701	222	771-9973/117-602	228
771-8992/206-707	320	771-8995/118-301	304	771-9973/016-702	222	771-9973/117-701	228
771-8992/206-801	183	771-8995/118-401	304	771-9973/016-705	224	771-9973/117-702	228
771-8992/206-802	183	771-8995/118-501	304	771-9973/016-801	222	771-9973/117-801	228
771-8992/206-803	320	771-8995/118-601	304	771-9973/016-802	222	771-9973/117-802	228
771-8992/206-805	320	771-8995/118-701	304	771-9973/016-805	224	771-9973/206-101	221
771-8992/206-807	320	771-8995/118-801	304	771-9973/017-101	228	771-9973/206-102	221
771-8992/207-101	189	771-8995/208-101	303	771-9973/017-102	228	771-9973/206-104	223
771-8992/207-102	189	771-8995/208-201	303	771-9973/017-201	228	771-9973/206-105	223
771-8992/207-201	189	771-8995/208-301	303	771-9973/017-202	228	771-9973/206-201	221
771-8992/207-202	189	771-8995/208-401	303	771-9973/017-301	228	771-9973/206-202	221
771-8992/207-301	189	771-8995/208-501	303	771-9973/017-302	228	771-9973/206-204	223
771-8992/207-302	189	771-8995/208-601	303	771-9973/017-401	228	771-9973/206-205	223
771-8992/207-401	189	771-8995/208-701	303	771-9973/017-402	228	771-9973/206-301	221
771-8992/207-402	189	771-8995/208-801	303	771-9973/017-501	228	771-9973/206-302	221
771-8992/207-501	189	771-8995/218-101	304	771-9973/017-502	228	771-9973/206-304	223
771-8992/207-502	189	771-8995/218-201	304	771-9973/017-601	228	771-9973/206-305	223
771-8992/207-601	189	771-8995/218-301	304	771-9973/017-602	228	771-9973/206-401	221
771-8992/207-602	189	771-8995/218-401	304	771-9973/017-701	228	771-9973/206-402	221
771-8992/207-701	189	771-8995/218-501	304	771-9973/017-702	228	771-9973/206-404	223
771-8992/207-702	189	771-8995/218-601	304	771-9973/017-801	228	771-9973/206-405	223
771-8992/207-801	189	771-8995/218-701	304	771-9973/017-802	228	771-9973/206-501	221
771-8992/207-802	189	771-8995/218-801	304	771-9973/106-101	221	771-9973/206-502	221
771-8992/216-101	184	771-9973/006-101	221	771-9973/106-102	221	771-9973/206-504	223
771-8992/216-102	184	771-9973/006-102	221	771-9973/106-201	221	771-9973/206-505	223
771-8992/216-201	184	771-9973/006-105	223	771-9973/106-202	221	771-9973/206-601	221
771-8992/216-202	184	771-9973/006-201	221	771-9973/106-301	221	771-9973/206-602	221
771-8992/216-301	184	771-9973/006-202	221	771-9973/106-302	221	771-9973/206-604	223
771-8992/216-302	184	771-9973/006-205	223	771-9973/106-401	221	771-9973/206-605	223
771-8992/216-401	184	771-9973/006-301	221	771-9973/106-402	221	771-9973/206-701	221
771-8992/216-402	184	771-9973/006-302	221	771-9973/106-501	221	771-9973/206-702	221
771-8992/216-501	184	771-9973/006-305	223	771-9973/106-502	221	771-9973/206-704	223
771-8992/216-502	184	771-9973/006-401	221	771-9973/106-601	221	771-9973/206-705	223
771-8992/216-601	184	771-9973/006-402	221	771-9973/106-602	221	771-9973/206-801	221
771-8992/216-602	184	771-9973/006-405	223	771-9973/106-701	221	771-9973/206-802	221
771-8992/216-701	184	771-9973/006-501	221	771-9973/106-702	221	771-9973/206-804	223
771-8992/216-702	184	771-9973/006-502	221	771-9973/106-801	221	771-9973/206-805	223
771-8992/216-801	184	771-9973/006-505	223	771-9973/106-802	221	771-9973/207-101	227
771-8992/216-802	184	771-9973/006-601	221	771-9973/107-101	227	771-9973/207-102	227
771-8992/217-101	190	771-9973/006-602	221	771-9973/107-102	227	771-9973/207-201	227
771-8992/217-102	190	771-9973/006-605	223	771-9973/107-201	227	771-9973/207-202	227
771-8992/217-201	190	771-9973/006-701	221	771-9973/107-202	227	771-9973/207-301	227
771-8992/217-202	190	771-9973/006-702	221	771-9973/107-301	227	771-9973/207-302	227
771-8992/217-301	190	771-9973/006-705	223	771-9973/107-302	227	771-9973/207-401	227
771-8992/217-302	190	771-9973/006-801	221	771-9973/107-401	227	771-9973/207-402	227
771-8992/217-401	190	771-9973/006-802	221	771-9973/107-402	227	771-9973/207-501	227
771-8992/217-402	190	771-9973/006-805	223	771-9973/107-501	227	771-9973/207-502	227
771-8992/217-501	190	771-9973/007-101	227	771-9973/107-502	227	771-9973/207-601	227
771-8992/217-502	190	771-9973/007-102	227	771-9973/107-601	227	771-9973/207-602	227
771-8992/217-601	190	771-9973/007-201	227	771-9973/107-602	227	771-9973/207-701	227
771-8992/217-602	190	771-9973/007-202	227	771-9973/107-701	227	771-9973/207-702	227
771-8992/217-701	190	771-9973/007-301	227	771-9973/107-702	227	771-9973/207-801	227
771-8992/217-702	190	771-9973/007-302	227	771-9973/107-801	227	771-9973/207-802	227
771-8992/217-801	190	771-9973/007-401	227	771-9973/107-802	227	771-9973/216-101	222
771-8992/217-802	190	771-9973/007-402	227	771-9973/116-101	222	771-9973/216-102	222
771-8993/1004-051	374	771-9973/007-501	227	771-9973/116-102	222	771-9973/216-104	224
771-8995/008-101	303	771-9973/007-502	227	771-9973/116-201	222	771-9973/216-105	224
771-8995/008-201	303	771-9973/007-601	227	771-9973/116-202	222	771-9973/216-201	222
771-8995/008-301	303	771-9973/007-602	227	771-9973/116-301	222	771-9973/216-202	222
771-8995/008-401	303	771-9973/007-701	227	771-9973/116-302	222	771-9973/216-204	224
771-8995/008-501	303	771-9973/007-702	227	771-9973/116-401	222	771-9973/216-205	224
771-8995/008-601	303	771-9973/007-801	227	771-9973/116-402	222	771-9973/216-301	222
771-8995/008-701	303	771-9973/007-802	227	771-9973/116-501	222	771-9973/216-302	222
771-8995/008-801	303	771-9973/016-101	222	771-9973/116-502	222	771-9973/216-304	224
771-8995/018-101	304	771-9973/016-102	222	771-9973/116-601	222	771-9973/216-305	224
771-8995/018-201	304	771-9973/016-105	224	771-9973/116-602	222	771-9973/216-401	222
771-8995/018-301	304	771-9973/016-201	222	771-9973/116-701	222	771-9973/216-402	222
771-8995/018-401	304	771-9973/016-202	222	771-9973/116-702	222	771-9973/216-404	224
771-8995/018-501	304	771-9973/016-205	224	771-9973/116-801	222	771-9973/216-405	224

Item Number Index

Item No.	Page	Item No.	Page	Item No.	Page	Item No.	Page
771 Series		771 Series		771 Series		771 Series	
771-9973/216-501	222	771-9975/017-102	302	771-9975/206-201	291	771-9985/007-202	297
771-9973/216-502	222	771-9975/017-201	302	771-9975/206-202	291	771-9985/007-301	297
771-9973/216-504	224	771-9975/017-202	302	771-9975/206-301	291	771-9985/007-302	297
771-9973/216-505	224	771-9975/017-301	302	771-9975/206-302	291	771-9985/007-401	297
771-9973/216-601	222	771-9975/017-302	302	771-9975/206-401	291	771-9985/007-402	297
771-9973/216-602	222	771-9975/017-401	302	771-9975/206-402	291	771-9985/007-501	297
771-9973/216-604	224	771-9975/017-402	302	771-9975/206-501	291	771-9985/007-502	297
771-9973/216-605	224	771-9975/017-501	302	771-9975/206-502	291	771-9985/007-601	297
771-9973/216-701	222	771-9975/017-502	302	771-9975/206-601	291	771-9985/007-602	297
771-9973/216-702	222	771-9975/017-601	302	771-9975/206-602	291	771-9985/007-701	297
771-9973/216-704	224	771-9975/017-602	302	771-9975/206-701	291	771-9985/007-702	297
771-9973/216-705	224	771-9975/017-701	302	771-9975/206-702	291	771-9985/007-801	297
771-9973/216-801	222	771-9975/017-702	302	771-9975/206-801	291	771-9985/007-802	297
771-9973/216-802	222	771-9975/017-801	302	771-9975/206-802	291	771-9985/016-101	288
771-9973/216-804	224	771-9975/017-802	302	771-9975/207-101	301	771-9985/016-102	288
771-9973/216-805	224	771-9975/106-101	291	771-9975/207-102	301	771-9985/016-201	288
771-9973/217-101	228	771-9975/106-102	291	771-9975/207-201	301	771-9985/016-202	288
771-9973/217-102	228	771-9975/106-201	291	771-9975/207-202	301	771-9985/016-301	288
771-9973/217-201	228	771-9975/106-202	291	771-9975/207-301	301	771-9985/016-302	288
771-9973/217-202	228	771-9975/106-301	291	771-9975/207-302	301	771-9985/016-401	288
771-9973/217-301	228	771-9975/106-302	291	771-9975/207-401	301	771-9985/016-402	288
771-9973/217-302	228	771-9975/106-401	291	771-9975/207-402	301	771-9985/016-501	288
771-9973/217-401	228	771-9975/106-402	291	771-9975/207-501	301	771-9985/016-502	288
771-9973/217-402	228	771-9975/106-501	291	771-9975/207-502	301	771-9985/016-601	288
771-9973/217-501	228	771-9975/106-502	291	771-9975/207-601	301	771-9985/016-602	288
771-9973/217-502	228	771-9975/106-601	291	771-9975/207-602	301	771-9985/016-701	288
771-9973/217-601	228	771-9975/106-602	291	771-9975/207-701	301	771-9985/016-702	288
771-9973/217-602	228	771-9975/106-701	291	771-9975/207-702	301	771-9985/016-801	288
771-9973/217-701	228	771-9975/106-702	291	771-9975/207-801	301	771-9985/016-802	288
771-9973/217-702	228	771-9975/106-801	291	771-9975/207-802	301	771-9985/017-101	298
771-9973/217-801	228	771-9975/106-802	291	771-9975/216-101	292	771-9985/017-102	298
771-9973/217-802	228	771-9975/107-101	301	771-9975/216-102	292	771-9985/017-201	298
771-9975/006-101	291	771-9975/107-102	301	771-9975/216-201	292	771-9985/017-202	298
771-9975/006-102	291	771-9975/107-201	301	771-9975/216-202	292	771-9985/017-301	298
771-9975/006-201	291	771-9975/107-202	301	771-9975/216-301	292	771-9985/017-302	298
771-9975/006-202	291	771-9975/107-301	301	771-9975/216-302	292	771-9985/017-401	298
771-9975/006-301	291	771-9975/107-302	301	771-9975/216-401	292	771-9985/017-402	298
771-9975/006-302	291	771-9975/107-401	301	771-9975/216-402	292	771-9985/017-501	298
771-9975/006-401	291	771-9975/107-402	301	771-9975/216-501	292	771-9985/017-502	298
771-9975/006-402	291	771-9975/107-501	301	771-9975/216-502	292	771-9985/017-601	298
771-9975/006-501	291	771-9975/107-502	301	771-9975/216-601	292	771-9985/017-602	298
771-9975/006-502	291	771-9975/107-601	301	771-9975/216-602	292	771-9985/017-701	298
771-9975/006-601	291	771-9975/107-602	301	771-9975/216-701	292	771-9985/017-702	298
771-9975/006-602	291	771-9975/107-701	301	771-9975/216-702	292	771-9985/017-801	298
771-9975/006-701	291	771-9975/107-702	301	771-9975/216-801	292	771-9985/017-802	298
771-9975/006-702	291	771-9975/107-801	301	771-9975/216-802	292	771-9985/106-101	287
771-9975/006-801	291	771-9975/107-802	301	771-9975/217-101	302	771-9985/106-102	287
771-9975/006-802	291	771-9975/116-101	292	771-9975/217-102	302	771-9985/106-201	287
771-9975/007-101	301	771-9975/116-102	292	771-9975/217-201	302	771-9985/106-202	287
771-9975/007-102	301	771-9975/116-201	292	771-9975/217-202	302	771-9985/106-301	287
771-9975/007-201	301	771-9975/116-202	292	771-9975/217-301	302	771-9985/106-302	287
771-9975/007-202	301	771-9975/116-301	292	771-9975/217-302	302	771-9985/106-401	287
771-9975/007-301	301	771-9975/116-302	292	771-9975/217-401	302	771-9985/106-402	287
771-9975/007-302	301	771-9975/116-401	292	771-9975/217-402	302	771-9985/106-501	287
771-9975/007-401	301	771-9975/116-402	292	771-9975/217-501	302	771-9985/106-502	287
771-9975/007-402	301	771-9975/116-501	292	771-9975/217-502	302	771-9985/106-601	287
771-9975/007-501	301	771-9975/116-502	292	771-9975/217-601	302	771-9985/106-602	287
771-9975/007-502	301	771-9975/116-601	292	771-9975/217-602	302	771-9985/106-701	287
771-9975/007-601	301	771-9975/116-602	292	771-9975/217-701	302	771-9985/106-702	287
771-9975/007-602	301	771-9975/116-701	292	771-9975/217-702	302	771-9985/106-801	287
771-9975/007-701	301	771-9975/116-702	292	771-9975/217-801	302	771-9985/106-802	287
771-9975/007-702	301	771-9975/116-801	292	771-9975/217-802	302	771-9985/107-101	297
771-9975/007-801	301	771-9975/116-802	292	771-9985/006-101	287	771-9985/107-102	297
771-9975/007-802	301	771-9975/117-101	302	771-9985/006-102	287	771-9985/107-201	297
771-9975/016-101	292	771-9975/117-102	302	771-9985/006-201	287	771-9985/107-202	297
771-9975/016-102	292	771-9975/117-201	302	771-9985/006-202	287	771-9985/107-301	297
771-9975/016-201	292	771-9975/117-202	302	771-9985/006-301	287	771-9985/107-302	297
771-9975/016-202	292	771-9975/117-301	302	771-9985/006-302	287	771-9985/107-401	297
771-9975/016-301	292	771-9975/117-302	302	771-9985/006-401	287	771-9985/107-402	297
771-9975/016-302	292	771-9975/117-401	302	771-9985/006-402	287	771-9985/107-501	297
771-9975/016-401	292	771-9975/117-402	302	771-9985/006-501	287	771-9985/107-502	297
771-9975/016-402	292	771-9975/117-501	302	771-9985/006-502	287	771-9985/107-601	297
771-9975/016-501	292	771-9975/117-502	302	771-9985/006-601	287	771-9985/107-602	297
771-9975/016-502	292	771-9975/117-601	302	771-9985/006-602	287	771-9985/107-701	297
771-9975/016-601	292	771-9975/117-602	302	771-9985/006-701	287	771-9985/107-702	297
771-9975/016-602	292	771-9975/117-701	302	771-9985/006-702	287	771-9985/107-801	297
771-9975/016-701	292	771-9975/117-702	302	771-9985/006-801	287	771-9985/107-802	297
771-9975/016-702	292	771-9975/117-801	302	771-9985/006-802	287	771-9985/116-101	288
771-9975/016-801	292	771-9975/117-802	302	771-9985/007-101	297	771-9985/116-102	288
771-9975/016-802	292	771-9975/206-101	291	771-9985/007-102	297	771-9985/116-201	288
771-9975/017-101	302	771-9975/206-102	291	771-9985/007-201	297	771-9985/116-202	288

Item No.	Page	Item No.	Page	Item No.	Page	Item No.	Page
771 Series		771 Series		771 Series		771 Series	
771-9985/116-301	288	771-9985/217-302	298	771-9993/007-401	225	771-9993/106-401	219
771-9985/116-302	288	771-9985/217-401	298	771-9993/007-402	225	771-9993/106-402	219
771-9985/116-401	288	771-9985/217-402	298	771-9993/007-501	225	771-9993/106-403	338
771-9985/116-402	288	771-9985/217-501	298	771-9993/007-502	225	771-9993/106-405	338
771-9985/116-501	288	771-9985/217-502	298	771-9993/007-601	225	771-9993/106-407	338
771-9985/116-502	288	771-9985/217-601	298	771-9993/007-602	225	771-9993/106-501	219
771-9985/116-601	288	771-9985/217-602	298	771-9993/007-701	225	771-9993/106-502	219
771-9985/116-602	288	771-9985/217-701	298	771-9993/007-702	225	771-9993/106-503	338
771-9985/116-701	288	771-9985/217-702	298	771-9993/007-801	225	771-9993/106-505	338
771-9985/116-702	288	771-9985/217-801	298	771-9993/007-802	225	771-9993/106-507	338
771-9985/116-801	288	771-9985/217-802	298	771-9993/016-101	220	771-9993/106-601	219
771-9985/116-802	288	771-9993/005-103	337	771-9993/016-102	220	771-9993/106-602	219
771-9985/117-101	298	771-9993/005-105	337	771-9993/016-201	220	771-9993/106-603	338
771-9985/117-102	298	771-9993/005-107	337	771-9993/016-202	220	771-9993/106-605	338
771-9985/117-201	298	771-9993/005-203	337	771-9993/016-301	220	771-9993/106-607	338
771-9985/117-202	298	771-9993/005-205	337	771-9993/016-302	220	771-9993/106-701	219
771-9985/117-301	298	771-9993/005-207	337	771-9993/016-401	220	771-9993/106-702	219
771-9985/117-302	298	771-9993/005-303	337	771-9993/016-402	220	771-9993/106-703	338
771-9985/117-401	298	771-9993/005-305	337	771-9993/016-501	220	771-9993/106-705	338
771-9985/117-402	298	771-9993/005-307	337	771-9993/016-502	220	771-9993/106-707	338
771-9985/117-501	298	771-9993/005-403	337	771-9993/016-601	220	771-9993/106-801	219
771-9985/117-502	298	771-9993/005-405	337	771-9993/016-602	220	771-9993/106-802	219
771-9985/117-601	298	771-9993/005-407	337	771-9993/016-701	220	771-9993/106-803	338
771-9985/117-602	298	771-9993/005-503	337	771-9993/016-702	220	771-9993/106-805	338
771-9985/117-701	298	771-9993/005-505	337	771-9993/016-801	220	771-9993/106-807	338
771-9985/117-702	298	771-9993/005-507	337	771-9993/016-802	220	771-9993/107-101	225
771-9985/117-801	298	771-9993/005-603	337	771-9993/017-101	226	771-9993/107-102	225
771-9985/117-802	298	771-9993/005-605	337	771-9993/017-102	226	771-9993/107-201	225
771-9985/206-101	287	771-9993/005-607	337	771-9993/017-201	226	771-9993/107-202	225
771-9985/206-102	287	771-9993/005-703	337	771-9993/017-202	226	771-9993/107-301	225
771-9985/206-201	287	771-9993/005-705	337	771-9993/017-301	226	771-9993/107-302	225
771-9985/206-202	287	771-9993/005-707	337	771-9993/017-302	226	771-9993/107-401	225
771-9985/206-301	287	771-9993/005-803	337	771-9993/017-401	226	771-9993/107-402	225
771-9985/206-302	287	771-9993/005-805	337	771-9993/017-402	226	771-9993/107-501	225
771-9985/206-401	287	771-9993/005-807	337	771-9993/017-501	226	771-9993/107-502	225
771-9985/206-402	287	771-9993/006-101	219	771-9993/017-502	226	771-9993/107-601	225
771-9985/206-501	287	771-9993/006-102	219	771-9993/017-601	226	771-9993/107-602	225
771-9985/206-502	287	771-9993/006-103	338	771-9993/017-602	226	771-9993/107-701	225
771-9985/206-601	287	771-9993/006-105	338	771-9993/017-701	226	771-9993/107-702	225
771-9985/206-602	287	771-9993/006-107	338	771-9993/017-702	226	771-9993/107-801	225
771-9985/206-701	287	771-9993/006-201	219	771-9993/017-801	226	771-9993/107-802	225
771-9985/206-702	287	771-9993/006-202	219	771-9993/017-802	226	771-9993/116-101	220
771-9985/206-801	287	771-9993/006-203	338	771-9993/105-103	337	771-9993/116-102	220
771-9985/206-802	287	771-9993/006-205	338	771-9993/105-105	337	771-9993/116-201	220
771-9985/207-101	297	771-9993/006-207	338	771-9993/105-107	337	771-9993/116-202	220
771-9985/207-102	297	771-9993/006-301	219	771-9993/105-203	337	771-9993/116-301	220
771-9985/207-201	297	771-9993/006-302	219	771-9993/105-205	337	771-9993/116-302	220
771-9985/207-202	297	771-9993/006-303	338	771-9993/105-207	337	771-9993/116-401	220
771-9985/207-301	297	771-9993/006-305	338	771-9993/105-303	337	771-9993/116-402	220
771-9985/207-302	297	771-9993/006-307	338	771-9993/105-305	337	771-9993/116-501	220
771-9985/207-401	297	771-9993/006-401	219	771-9993/105-307	337	771-9993/116-502	220
771-9985/207-402	297	771-9993/006-402	219	771-9993/105-403	337	771-9993/116-601	220
771-9985/207-501	297	771-9993/006-403	338	771-9993/105-405	337	771-9993/116-602	220
771-9985/207-502	297	771-9993/006-405	338	771-9993/105-407	337	771-9993/116-701	220
771-9985/207-601	297	771-9993/006-407	338	771-9993/105-503	337	771-9993/116-702	220
771-9985/207-602	297	771-9993/006-501	219	771-9993/105-505	337	771-9993/116-801	220
771-9985/207-701	297	771-9993/006-502	219	771-9993/105-507	337	771-9993/116-802	220
771-9985/207-702	297	771-9993/006-503	338	771-9993/105-603	337	771-9993/117-101	226
771-9985/207-801	297	771-9993/006-505	338	771-9993/105-605	337	771-9993/117-102	226
771-9985/207-802	297	771-9993/006-507	338	771-9993/105-607	337	771-9993/117-201	226
771-9985/216-101	288	771-9993/006-601	219	771-9993/105-703	337	771-9993/117-202	226
771-9985/216-102	288	771-9993/006-602	219	771-9993/105-705	337	771-9993/117-301	226
771-9985/216-201	288	771-9993/006-603	338	771-9993/105-707	337	771-9993/117-302	226
771-9985/216-202	288	771-9993/006-605	338	771-9993/105-803	337	771-9993/117-401	226
771-9985/216-301	288	771-9993/006-607	338	771-9993/105-805	337	771-9993/117-402	226
771-9985/216-302	288	771-9993/006-701	219	771-9993/105-807	337	771-9993/117-501	226
771-9985/216-401	288	771-9993/006-702	219	771-9993/106-101	219	771-9993/117-502	226
771-9985/216-402	288	771-9993/006-703	338	771-9993/106-102	219	771-9993/117-601	226
771-9985/216-501	288	771-9993/006-705	338	771-9993/106-103	338	771-9993/117-602	226
771-9985/216-502	288	771-9993/006-707	338	771-9993/106-105	338	771-9993/117-701	226
771-9985/216-601	288	771-9993/006-801	219	771-9993/106-107	338	771-9993/117-702	226
771-9985/216-602	288	771-9993/006-802	219	771-9993/106-201	219	771-9993/117-801	226
771-9985/216-701	288	771-9993/006-803	338	771-9993/106-202	219	771-9993/117-802	226
771-9985/216-702	288	771-9993/006-805	338	771-9993/106-203	338	771-9993/205-103	337
771-9985/216-801	288	771-9993/006-807	338	771-9993/106-205	338	771-9993/205-105	337
771-9985/216-802	288	771-9993/007-101	225	771-9993/106-207	338	771-9993/205-107	337
771-9985/217-101	298	771-9993/007-102	225	771-9993/106-301	219	771-9993/205-203	337
771-9985/217-102	298	771-9993/007-201	225	771-9993/106-302	219	771-9993/205-205	337
771-9985/217-201	298	771-9993/007-202	225	771-9993/106-303	338	771-9993/205-207	337
771-9985/217-202	298	771-9993/007-301	225	771-9993/106-305	338	771-9993/205-303	337
771-9985/217-301	298	771-9993/007-302	225	771-9993/106-307	338	771-9993/205-305	337

Item Number Index

Item No.	Page	Item No.	Page	Item No.	Page	Item No.	Page
771 Series		771 Series		771 Series		771 Series	
771-9993/205-307	337	771-9993/216-502	220	771-9994/005-107	353	771-9994/105-203	353
771-9993/205-403	337	771-9993/216-601	220	771-9994/005-203	353	771-9994/105-205	353
771-9993/205-405	337	771-9993/216-602	220	771-9994/005-205	353	771-9994/105-207	353
771-9993/205-407	337	771-9993/216-701	220	771-9994/005-207	353	771-9994/105-303	353
771-9993/205-503	337	771-9993/216-702	220	771-9994/005-303	353	771-9994/105-305	353
771-9993/205-505	337	771-9993/216-801	220	771-9994/005-305	353	771-9994/105-307	353
771-9993/205-507	337	771-9993/216-802	220	771-9994/005-307	353	771-9994/105-403	353
771-9993/205-603	337	771-9993/217-101	226	771-9994/005-403	353	771-9994/105-405	353
771-9993/205-605	337	771-9993/217-102	226	771-9994/005-405	353	771-9994/105-407	353
771-9993/205-607	337	771-9993/217-201	226	771-9994/005-407	353	771-9994/105-503	353
771-9993/205-703	337	771-9993/217-202	226	771-9994/005-503	353	771-9994/105-505	353
771-9993/205-705	337	771-9993/217-301	226	771-9994/005-505	353	771-9994/105-507	353
771-9993/205-707	337	771-9993/217-302	226	771-9994/005-507	353	771-9994/105-603	353
771-9993/205-803	337	771-9993/217-401	226	771-9994/005-603	353	771-9994/105-605	353
771-9993/205-805	337	771-9993/217-402	226	771-9994/005-605	353	771-9994/105-607	353
771-9993/205-807	337	771-9993/217-501	226	771-9994/005-607	353	771-9994/105-703	353
771-9993/206-101	219	771-9993/217-502	226	771-9994/005-703	353	771-9994/105-705	353
771-9993/206-102	219	771-9993/217-601	226	771-9994/005-705	353	771-9994/105-707	353
771-9993/206-103	338	771-9993/217-602	226	771-9994/005-707	353	771-9994/105-803	353
771-9993/206-105	338	771-9993/217-701	226	771-9994/005-803	353	771-9994/105-805	353
771-9993/206-107	338	771-9993/217-702	226	771-9994/005-805	353	771-9994/105-807	353
771-9993/206-201	219	771-9993/217-801	226	771-9994/005-807	353	771-9994/106-101	255
771-9993/206-202	219	771-9993/217-802	226	771-9994/006-101	255	771-9994/106-102	255
771-9993/206-203	338	771-9993/306-101	375	771-9994/006-102	255	771-9994/106-103	354
771-9993/206-205	338	771-9993/306-102	375	771-9994/006-103	354	771-9994/106-105	354
771-9993/206-207	338	771-9993/306-201	375	771-9994/006-105	354	771-9994/106-107	354
771-9993/206-301	219	771-9993/306-202	375	771-9994/006-107	354	771-9994/106-201	255
771-9993/206-302	219	771-9993/306-301	375	771-9994/006-201	255	771-9994/106-202	255
771-9993/206-303	338	771-9993/306-302	375	771-9994/006-202	255	771-9994/106-203	354
771-9993/206-305	338	771-9993/307-101	375	771-9994/006-203	354	771-9994/106-205	354
771-9993/206-307	338	771-9993/307-102	375	771-9994/006-205	354	771-9994/106-207	354
771-9993/206-401	219	771-9993/307-201	375	771-9994/006-207	354	771-9994/106-301	255
771-9993/206-402	219	771-9993/307-202	375	771-9994/006-301	255	771-9994/106-302	255
771-9993/206-403	338	771-9993/307-301	375	771-9994/006-302	255	771-9994/106-303	354
771-9993/206-405	338	771-9993/307-302	375	771-9994/006-303	354	771-9994/106-305	354
771-9993/206-407	338	771-9993/406-101	375	771-9994/006-305	354	771-9994/106-307	354
771-9993/206-501	219	771-9993/406-102	375	771-9994/006-307	354	771-9994/106-401	255
771-9993/206-502	219	771-9993/406-201	375	771-9994/006-401	255	771-9994/106-402	255
771-9993/206-503	338	771-9993/406-202	375	771-9994/006-402	255	771-9994/106-403	354
771-9993/206-505	338	771-9993/406-301	375	771-9994/006-403	354	771-9994/106-405	354
771-9993/206-507	338	771-9993/406-302	375	771-9994/006-405	354	771-9994/106-407	354
771-9993/206-601	219	771-9993/805-101	374	771-9994/006-407	354	771-9994/106-501	255
771-9993/206-602	219	771-9993/805-102	374	771-9994/006-501	255	771-9994/106-502	255
771-9993/206-603	338	771-9993/805-201	374	771-9994/006-502	255	771-9994/106-503	354
771-9993/206-605	338	771-9993/805-202	374	771-9994/006-503	354	771-9994/106-505	354
771-9993/206-607	338	771-9993/805-301	374	771-9994/006-505	354	771-9994/106-507	354
771-9993/206-701	219	771-9993/805-302	374	771-9994/006-507	354	771-9994/106-601	255
771-9993/206-702	219	771-9993/3206-101	219	771-9994/006-601	255	771-9994/106-602	255
771-9993/206-703	338	771-9993/3206-201	219	771-9994/006-602	255	771-9994/106-603	354
771-9993/206-705	338	771-9993/3206-301	219	771-9994/006-603	354	771-9994/106-605	354
771-9993/206-707	338	771-9993/3206-401	219	771-9994/006-605	354	771-9994/106-607	354
771-9993/206-801	219	771-9993/3206-501	219	771-9994/006-607	354	771-9994/106-701	255
771-9993/206-802	219	771-9993/3206-601	219	771-9994/006-701	255	771-9994/106-702	255
771-9993/206-803	338	771-9993/3206-701	219	771-9994/006-702	255	771-9994/106-703	354
771-9993/206-805	338	771-9993/3206-801	219	771-9994/006-703	354	771-9994/106-705	354
771-9993/206-807	338	771-9993/3207-101	225	771-9994/006-705	354	771-9994/106-707	354
771-9993/207-101	225	771-9993/3207-201	225	771-9994/006-707	354	771-9994/106-801	255
771-9993/207-102	225	771-9993/3207-301	225	771-9994/006-801	255	771-9994/106-802	255
771-9993/207-201	225	771-9993/3207-401	225	771-9994/006-802	255	771-9994/106-803	354
771-9993/207-202	225	771-9993/3207-501	225	771-9994/006-803	354	771-9994/106-805	354
771-9993/207-301	225	771-9993/3207-601	225	771-9994/006-805	354	771-9994/106-807	354
771-9993/207-302	225	771-9993/3207-701	225	771-9994/006-807	354	771-9994/116-101	256
771-9993/207-401	225	771-9993/3207-801	225	771-9994/016-101	256	771-9994/116-102	256
771-9993/207-402	225	771-9993/3216-101	220	771-9994/016-102	256	771-9994/116-201	256
771-9993/207-501	225	771-9993/3216-201	220	771-9994/016-201	256	771-9994/116-202	256
771-9993/207-502	225	771-9993/3216-301	220	771-9994/016-202	256	771-9994/116-301	256
771-9993/207-601	225	771-9993/3216-401	220	771-9994/016-301	256	771-9994/116-302	256
771-9993/207-602	225	771-9993/3216-501	220	771-9994/016-302	256	771-9994/116-401	256
771-9993/207-701	225	771-9993/3216-601	220	771-9994/016-401	256	771-9994/116-402	256
771-9993/207-702	225	771-9993/3216-701	220	771-9994/016-402	256	771-9994/116-501	256
771-9993/207-801	225	771-9993/3216-801	220	771-9994/016-501	256	771-9994/116-502	256
771-9993/207-802	225	771-9993/3217-101	226	771-9994/016-502	256	771-9994/116-601	256
771-9993/216-101	220	771-9993/3217-201	226	771-9994/016-601	256	771-9994/116-602	256
771-9993/216-102	220	771-9993/3217-301	226	771-9994/016-602	256	771-9994/116-701	256
771-9993/216-201	220	771-9993/3217-401	226	771-9994/016-701	256	771-9994/116-702	256
771-9993/216-202	220	771-9993/3217-501	226	771-9994/016-702	256	771-9994/116-801	256
771-9993/216-301	220	771-9993/3217-601	226	771-9994/016-801	256	771-9994/116-802	256
771-9993/216-302	220	771-9993/3217-701	226	771-9994/016-802	256	771-9994/205-103	353
771-9993/216-401	220	771-9993/3217-801	226	771-9994/105-103	353	771-9994/205-105	353
771-9993/216-402	220	771-9994/005-103	353	771-9994/105-105	353	771-9994/205-107	353
771-9993/216-501	220	771-9994/005-105	353	771-9994/105-107	353	771-9994/205-203	353

Item No.	Page	Item No.	Page	Item No.	Page	Item No.	Page
771 Series		771 Series		771 Series		771 Series	
771-9994/205-205	353	771-9995/005-303	369	771-9995/016-402	286	771-9995/106-703	370
771-9994/205-207	353	771-9995/005-305	369	771-9995/016-501	286	771-9995/106-705	370
771-9994/205-303	353	771-9995/005-307	369	771-9995/016-502	286	771-9995/106-707	370
771-9994/205-305	353	771-9995/005-403	369	771-9995/016-601	286	771-9995/106-801	285
771-9994/205-307	353	771-9995/005-405	369	771-9995/016-602	286	771-9995/106-802	285
771-9994/205-403	353	771-9995/005-407	369	771-9995/016-701	286	771-9995/106-803	370
771-9994/205-405	353	771-9995/005-503	369	771-9995/016-702	286	771-9995/106-805	370
771-9994/205-407	353	771-9995/005-505	369	771-9995/016-801	286	771-9995/106-807	370
771-9994/205-503	353	771-9995/005-507	369	771-9995/016-802	286	771-9995/107-101	295
771-9994/205-505	353	771-9995/005-603	369	771-9995/017-101	296	771-9995/107-102	295
771-9994/205-507	353	771-9995/005-605	369	771-9995/017-102	296	771-9995/107-201	295
771-9994/205-603	353	771-9995/005-607	369	771-9995/017-201	296	771-9995/107-202	295
771-9994/205-605	353	771-9995/005-703	369	771-9995/017-202	296	771-9995/107-301	295
771-9994/205-607	353	771-9995/005-705	369	771-9995/017-301	296	771-9995/107-302	295
771-9994/205-703	353	771-9995/005-707	369	771-9995/017-302	296	771-9995/107-401	295
771-9994/205-705	353	771-9995/005-803	369	771-9995/017-401	296	771-9995/107-402	295
771-9994/205-707	353	771-9995/005-805	369	771-9995/017-402	296	771-9995/107-501	295
771-9994/205-803	353	771-9995/005-807	369	771-9995/017-501	296	771-9995/107-502	295
771-9994/205-805	353	771-9995/006-101	285	771-9995/017-502	296	771-9995/107-601	295
771-9994/205-807	353	771-9995/006-102	285	771-9995/017-601	296	771-9995/107-602	295
771-9994/206-101	255	771-9995/006-103	370	771-9995/017-602	296	771-9995/107-701	295
771-9994/206-102	255	771-9995/006-105	370	771-9995/017-701	296	771-9995/107-702	295
771-9994/206-103	354	771-9995/006-107	370	771-9995/017-702	296	771-9995/107-801	295
771-9994/206-105	354	771-9995/006-201	285	771-9995/017-801	296	771-9995/107-802	295
771-9994/206-107	354	771-9995/006-202	285	771-9995/017-802	296	771-9995/116-101	286
771-9994/206-201	255	771-9995/006-203	370	771-9995/105-103	369	771-9995/116-102	286
771-9994/206-202	255	771-9995/006-205	370	771-9995/105-105	369	771-9995/116-201	286
771-9994/206-203	354	771-9995/006-207	370	771-9995/105-107	369	771-9995/116-202	286
771-9994/206-205	354	771-9995/006-301	285	771-9995/105-203	369	771-9995/116-301	286
771-9994/206-207	354	771-9995/006-302	285	771-9995/105-205	369	771-9995/116-302	286
771-9994/206-301	255	771-9995/006-303	370	771-9995/105-207	369	771-9995/116-401	286
771-9994/206-302	255	771-9995/006-305	370	771-9995/105-303	369	771-9995/116-402	286
771-9994/206-303	354	771-9995/006-307	370	771-9995/105-305	369	771-9995/116-501	286
771-9994/206-305	354	771-9995/006-401	285	771-9995/105-307	369	771-9995/116-502	286
771-9994/206-307	354	771-9995/006-402	285	771-9995/105-403	369	771-9995/116-601	286
771-9994/206-401	255	771-9995/006-403	370	771-9995/105-405	369	771-9995/116-602	286
771-9994/206-402	255	771-9995/006-405	370	771-9995/105-407	369	771-9995/116-701	286
771-9994/206-403	354	771-9995/006-407	370	771-9995/105-503	369	771-9995/116-702	286
771-9994/206-405	354	771-9995/006-501	285	771-9995/105-505	369	771-9995/116-801	286
771-9994/206-407	354	771-9995/006-502	285	771-9995/105-507	369	771-9995/116-802	286
771-9994/206-501	255	771-9995/006-503	370	771-9995/105-603	369	771-9995/117-101	296
771-9994/206-502	255	771-9995/006-505	370	771-9995/105-605	369	771-9995/117-102	296
771-9994/206-503	354	771-9995/006-507	370	771-9995/105-607	369	771-9995/117-201	296
771-9994/206-505	354	771-9995/006-601	285	771-9995/105-703	369	771-9995/117-202	296
771-9994/206-507	354	771-9995/006-602	285	771-9995/105-705	369	771-9995/117-301	296
771-9994/206-601	255	771-9995/006-603	370	771-9995/105-707	369	771-9995/117-302	296
771-9994/206-602	255	771-9995/006-605	370	771-9995/105-803	369	771-9995/117-401	296
771-9994/206-603	354	771-9995/006-607	370	771-9995/105-805	369	771-9995/117-402	296
771-9994/206-605	354	771-9995/006-701	285	771-9995/105-807	369	771-9995/117-501	296
771-9994/206-607	354	771-9995/006-702	285	771-9995/106-101	285	771-9995/117-502	296
771-9994/206-701	255	771-9995/006-703	370	771-9995/106-102	285	771-9995/117-601	296
771-9994/206-702	255	771-9995/006-705	370	771-9995/106-103	370	771-9995/117-602	296
771-9994/206-703	354	771-9995/006-707	370	771-9995/106-105	370	771-9995/117-701	296
771-9994/206-705	354	771-9995/006-801	285	771-9995/106-107	370	771-9995/117-702	296
771-9994/206-707	354	771-9995/006-802	285	771-9995/106-201	285	771-9995/117-801	296
771-9994/206-801	255	771-9995/006-803	370	771-9995/106-202	285	771-9995/117-802	296
771-9994/206-802	255	771-9995/006-805	370	771-9995/106-203	370	771-9995/205-103	369
771-9994/206-803	354	771-9995/006-807	370	771-9995/106-205	370	771-9995/205-105	369
771-9994/206-805	354	771-9995/007-101	295	771-9995/106-207	370	771-9995/205-107	369
771-9994/206-807	354	771-9995/007-102	295	771-9995/106-301	285	771-9995/205-203	369
771-9994/216-101	256	771-9995/007-201	295	771-9995/106-302	285	771-9995/205-205	369
771-9994/216-102	256	771-9995/007-202	295	771-9995/106-303	370	771-9995/205-207	369
771-9994/216-201	256	771-9995/007-301	295	771-9995/106-305	370	771-9995/205-303	369
771-9994/216-202	256	771-9995/007-302	295	771-9995/106-307	370	771-9995/205-305	369
771-9994/216-301	256	771-9995/007-401	295	771-9995/106-401	285	771-9995/205-307	369
771-9994/216-401	256	771-9995/007-402	295	771-9995/106-402	285	771-9995/205-403	369
771-9994/216-402	256	771-9995/007-501	295	771-9995/106-403	370	771-9995/205-405	369
771-9994/216-501	256	771-9995/007-502	295	771-9995/106-405	370	771-9995/205-407	369
771-9994/216-502	256	771-9995/007-601	295	771-9995/106-407	370	771-9995/205-503	369
771-9994/216-601	256	771-9995/007-602	295	771-9995/106-501	285	771-9995/205-505	369
771-9994/216-602	256	771-9995/007-701	295	771-9995/106-502	285	771-9995/205-507	369
771-9994/216-701	256	771-9995/007-702	295	771-9995/106-503	370	771-9995/205-603	369
771-9994/216-702	256	771-9995/007-801	295	771-9995/106-505	370	771-9995/205-605	369
771-9994/216-801	256	771-9995/007-802	295	771-9995/106-507	370	771-9995/205-607	369
771-9994/216-802	256	771-9995/016-101	286	771-9995/106-601	285	771-9995/205-703	369
771-9995/005-103	369	771-9995/016-102	286	771-9995/106-602	285	771-9995/205-705	369
771-9995/005-105	369	771-9995/016-201	286	771-9995/106-603	370	771-9995/205-707	369
771-9995/005-107	369	771-9995/016-202	286	771-9995/106-605	370	771-9995/205-803	369
771-9995/005-203	369	771-9995/016-301	286	771-9995/106-607	370	771-9995/205-805	369
771-9995/005-205	369	771-9995/016-302	286	771-9995/106-701	285	771-9995/205-807	369
771-9995/005-207	369	771-9995/016-401	286	771-9995/106-702	285	771-9995/206-101	285

Item Number Index

Item No.	Page	Item No.	Page	Item No.	Page	Item No.	Page
771 Series		771 Series		774 Series		774 Series	
771-9995/206-102	285	771-9995/217-601	296	774-9973/1516-805	392	774-9993/107-101	393
771-9995/206-103	370	771-9995/217-602	296	774-9993/006-101	389	774-9993/107-102	393
771-9995/206-105	370	771-9995/217-701	296	774-9993/006-102	389	774-9993/107-201	393
771-9995/206-107	370	771-9995/217-702	296	774-9993/006-201	389	774-9993/107-202	393
771-9995/206-201	285	771-9995/217-801	296	774-9993/006-202	389	774-9993/107-301	393
771-9995/206-202	285	771-9995/217-802	296	774-9993/006-301	389	774-9993/107-302	393
771-9995/206-203	370	772 Series		774-9993/006-302	389	774-9993/107-401	393
771-9995/206-205	370	772-260	421	774-9993/006-401	389	774-9993/107-402	393
771-9995/206-207	370	772-261	421	774-9993/006-402	389	774-9993/107-501	393
771-9995/206-301	285	772-263	421	774-9993/006-501	389	774-9993/107-502	393
771-9995/206-302	285	772-264/060-000	421	774-9993/006-502	389	774-9993/107-601	393
771-9995/206-303	370	772-266/060-000	421	774-9993/006-601	389	774-9993/107-602	393
771-9995/206-305	370	772-267	421	774-9993/006-602	389	774-9993/107-701	393
771-9995/206-307	370	772-269	421	774-9993/006-701	389	774-9993/107-702	393
771-9995/206-401	285	772-271	421	774-9993/006-702	389	774-9993/107-801	393
771-9995/206-402	285	774 Series		774-9993/006-801	389	774-9993/107-802	393
771-9995/206-403	370	774-9973/006-105	391	774-9993/006-802	389	774-9993/116-101	390
771-9995/206-405	370	774-9973/006-205	391	774-9993/007-101	393	774-9993/116-102	390
771-9995/206-407	370	774-9973/006-305	391	774-9993/007-102	393	774-9993/116-201	390
771-9995/206-501	285	774-9973/006-405	391	774-9993/007-201	393	774-9993/116-202	390
771-9995/206-502	285	774-9973/006-505	391	774-9993/007-202	393	774-9993/116-301	390
771-9995/206-503	370	774-9973/006-605	391	774-9993/007-301	393	774-9993/116-302	390
771-9995/206-505	370	774-9973/006-705	391	774-9993/007-302	393	774-9993/116-401	390
771-9995/206-507	370	774-9973/006-805	391	774-9993/007-401	393	774-9993/116-402	390
771-9995/206-601	285	774-9973/016-105	392	774-9993/007-402	393	774-9993/116-501	390
771-9995/206-602	285	774-9973/016-205	392	774-9993/007-501	393	774-9993/116-502	390
771-9995/206-603	370	774-9973/016-305	392	774-9993/007-502	393	774-9993/116-601	390
771-9995/206-605	370	774-9973/016-405	392	774-9993/007-601	393	774-9993/116-602	390
771-9995/206-607	370	774-9973/016-505	392	774-9993/007-602	393	774-9993/116-701	390
771-9995/206-701	285	774-9973/016-605	392	774-9993/007-701	393	774-9993/116-702	390
771-9995/206-702	285	774-9973/016-705	392	774-9993/007-702	393	774-9993/116-801	390
771-9995/206-703	370	774-9973/016-805	392	774-9993/007-801	393	774-9993/116-802	390
771-9995/206-705	370	774-9973/016-905	392	774-9993/007-802	393	774-9993/117-101	394
771-9995/206-707	370	774-9973/106-105	391	774-9993/016-101	390	774-9993/117-102	394
771-9995/206-801	285	774-9973/106-205	391	774-9993/016-102	390	774-9993/117-201	394
771-9995/206-802	285	774-9973/106-305	391	774-9993/016-201	390	774-9993/117-202	394
771-9995/206-803	370	774-9973/106-405	391	774-9993/016-202	390	774-9993/117-301	394
771-9995/206-805	370	774-9973/106-505	391	774-9993/016-301	390	774-9993/117-302	394
771-9995/206-807	370	774-9973/106-605	391	774-9993/016-302	390	774-9993/117-401	394
771-9995/207-101	295	774-9973/106-705	391	774-9993/016-401	390	774-9993/117-402	394
771-9995/207-102	295	774-9973/106-805	391	774-9993/016-402	390	774-9993/117-501	394
771-9995/207-201	295	774-9973/116-105	392	774-9993/016-501	390	774-9993/117-502	394
771-9995/207-202	295	774-9973/116-205	392	774-9993/016-502	390	774-9993/117-601	394
771-9995/207-301	295	774-9973/116-305	392	774-9993/016-601	390	774-9993/117-602	394
771-9995/207-302	295	774-9973/116-405	392	774-9993/016-602	390	774-9993/117-701	394
771-9995/207-401	295	774-9973/116-505	392	774-9993/016-701	390	774-9993/117-702	394
771-9995/207-402	295	774-9973/116-605	392	774-9993/016-702	390	774-9993/117-801	394
771-9995/207-501	295	774-9973/116-705	392	774-9993/016-801	390	774-9993/117-802	394
771-9995/207-502	295	774-9973/116-805	392	774-9993/016-802	390	774-9993/206-101	389
771-9995/207-601	295	774-9973/206-105	391	774-9993/017-101	394	774-9993/206-102	389
771-9995/207-602	295	774-9973/206-205	391	774-9993/017-102	394	774-9993/206-201	389
771-9995/207-701	295	774-9973/206-305	391	774-9993/017-201	394	774-9993/206-202	389
771-9995/207-702	295	774-9973/206-405	391	774-9993/017-202	394	774-9993/206-301	389
771-9995/207-801	295	774-9973/206-505	391	774-9993/017-301	394	774-9993/206-302	389
771-9995/207-802	295	774-9973/206-605	391	774-9993/017-302	394	774-9993/206-401	389
771-9995/216-101	286	774-9973/206-705	391	774-9993/017-401	394	774-9993/206-402	389
771-9995/216-102	286	774-9973/206-805	391	774-9993/017-402	394	774-9993/206-501	389
771-9995/216-201	286	774-9973/216-105	392	774-9993/017-501	394	774-9993/206-502	389
771-9995/216-202	286	774-9973/216-205	392	774-9993/017-502	394	774-9993/206-601	389
771-9995/216-301	286	774-9973/216-305	392	774-9993/017-601	394	774-9993/206-602	389
771-9995/216-302	286	774-9973/216-405	392	774-9993/017-602	394	774-9993/206-701	389
771-9995/216-401	286	774-9973/216-505	392	774-9993/017-701	394	774-9993/206-702	389
771-9995/216-402	286	774-9973/216-605	392	774-9993/017-702	394	774-9993/206-801	389
771-9995/216-501	286	774-9973/216-705	392	774-9993/017-801	394	774-9993/206-802	389
771-9995/216-502	286	774-9973/216-805	392	774-9993/017-802	394	774-9993/207-101	393
771-9995/216-601	286	774-9973/1506-105	391	774-9993/106-101	389	774-9993/207-102	393
771-9995/216-602	286	774-9973/1506-205	391	774-9993/106-102	389	774-9993/207-201	393
771-9995/216-701	286	774-9973/1506-305	391	774-9993/106-201	389	774-9993/207-202	393
771-9995/216-702	286	774-9973/1506-405	391	774-9993/106-202	389	774-9993/207-301	393
771-9995/216-801	286	774-9973/1506-505	391	774-9993/106-301	389	774-9993/207-302	393
771-9995/216-802	286	774-9973/1506-605	391	774-9993/106-302	389	774-9993/207-401	393
771-9995/217-101	296	774-9973/1506-705	391	774-9993/106-401	389	774-9993/207-402	393
771-9995/217-102	296	774-9973/1506-805	391	774-9993/106-402	389	774-9993/207-501	393
771-9995/217-201	296	774-9973/1516-105	392	774-9993/106-501	389	774-9993/207-502	393
771-9995/217-202	296	774-9973/1516-205	392	774-9993/106-502	389	774-9993/207-601	393
771-9995/217-301	296	774-9973/1516-305	392	774-9993/106-601	389	774-9993/207-602	393
771-9995/217-302	296	774-9973/1516-405	392	774-9993/106-602	389	774-9993/207-701	393
771-9995/217-401	296	774-9973/1516-505	392	774-9993/106-701	389	774-9993/207-702	393
771-9995/217-402	296	774-9973/1516-605	392	774-9993/106-702	389	774-9993/207-801	393
771-9995/217-501	296	774-9973/1516-705	392	774-9993/106-801	389	774-9993/207-802	393
771-9995/217-502	296	774-9973/1516-805	392	774-9993/106-802	389	774-9993/216-101	390

Item No.	Page	Item No.	Page	Item No.	Page	Item No.	Page
774 Series		774 Series		890 Series		890 Series	
774-9993/216-102	390	774-9994/106-201	399	890-122	29	890-285/082-000	159
774-9993/216-201	390	774-9994/106-202	399	890-123	51	890-292	115
774-9993/216-202	390	774-9994/106-301	399	890-124	71	890-292/080-000	115
774-9993/216-301	390	774-9994/106-302	399	890-125	89	890-292/082-000	115
774-9993/216-302	390	774-9994/106-401	399	890-131	29	890-293	129
774-9993/216-401	390	774-9994/106-402	399	890-132	30	890-293/081-000	129
774-9993/216-402	390	774-9994/106-501	399	890-133	51	890-293/082-000	129
774-9993/216-501	390	774-9994/106-502	399	890-134	71	890-294	143
774-9993/216-502	390	774-9994/106-601	399	890-135	89	890-294/081-000	143
774-9993/216-601	390	774-9994/106-602	399	890-202	31	890-295	159
774-9993/216-602	390	774-9994/106-701	399	890-202/342-000	29	890-295/080-000	159
774-9993/216-701	390	774-9994/106-702	399	890-203	52	890-295/082-000	159
774-9993/216-702	390	774-9994/106-801	399	890-204	72	890-302	498
774-9993/216-801	390	774-9994/106-802	399	890-205	90	890-303	498
774-9993/216-802	390	774-9994/116-101	400	890-212	31	890-304	498
774-9993/217-101	394	774-9994/116-102	400	890-212/342-000	30	890-305	498
774-9993/217-102	394	774-9994/116-201	400	890-213	52	890-310	29
774-9993/217-201	394	774-9994/116-202	400	890-214	72	890-311	29
774-9993/217-202	394	774-9994/116-301	400	890-215	90	890-382	29
774-9993/217-301	394	774-9994/116-302	400	890-222	31	890-383	51
774-9993/217-302	394	774-9994/116-401	400	890-223	52	890-384	71
774-9993/217-401	394	774-9994/116-402	400	890-224	72	890-385	89
774-9993/217-402	394	774-9994/116-501	400	890-225	90	890-502	31
774-9993/217-501	394	774-9994/116-502	400	890-232	31	890-502/342-000	31
774-9993/217-502	394	774-9994/116-601	400	890-233	52	890-503	52
774-9993/217-601	394	774-9994/116-602	400	890-234	72	890-504	72
774-9993/217-602	394	774-9994/116-701	400	890-235	90	890-505	90
774-9993/217-701	394	774-9994/116-702	400	890-242	115	890-512	31
774-9993/217-702	394	774-9994/116-801	400	890-242/060-000	115	890-512/342-000	31
774-9993/217-801	394	774-9994/116-802	400	890-243	129	890-513	52
774-9993/217-802	394	774-9994/206-101	399	890-243/060-000	129	890-514	72
774-9993/1507-101	393	774-9994/206-102	399	890-243/062-000	129	890-515	90
774-9993/1507-201	393	774-9994/206-201	399	890-244	143	890-523	481
774-9993/1507-301	393	774-9994/206-202	399	890-244/060-000	143	890-524	481
774-9993/1507-401	393	774-9994/206-301	399	890-244/062-000	143	890-525	481
774-9993/1507-501	393	774-9994/206-302	399	890-244/064-000	143	890-526	481
774-9993/1507-601	393	774-9994/206-401	399	890-245	159	890-527	481
774-9993/1507-701	393	774-9994/206-402	399	890-245/060-000	159	890-601	482
774-9993/1507-801	393	774-9994/206-501	399	890-245/062-000	159	890-603	61
774-9993/1517-101	394	774-9994/206-502	399	890-252	115	890-604	81
774-9993/1517-201	394	774-9994/206-601	399	890-252/060-000	115	890-605	101
774-9993/1517-301	394	774-9994/206-602	399	890-253	129	890-606	61
774-9993/1517-401	394	774-9994/206-701	399	890-253/060-000	129	890-615	62
774-9993/1517-501	394	774-9994/206-702	399	890-253/062-000	129	890-617	101
774-9993/1517-601	394	774-9994/206-801	399	890-254	143	890-619	101
774-9993/1517-701	394	774-9994/206-802	399	890-254/060-000	143	890-620	102
774-9993/1517-801	394	774-9994/216-101	400	890-254/062-000	143	890-621	101
774-9994/006-101	399	774-9994/216-102	400	890-254/064-000	143	890-622	102
774-9994/006-102	399	774-9994/216-201	400	890-255	159	890-623	63
774-9994/006-201	399	774-9994/216-202	400	890-255/060-000	159	890-624	83
774-9994/006-202	399	774-9994/216-301	400	890-255/062-000	159	890-625	103
774-9994/006-301	399	774-9994/216-302	400	890-262	115	890-626	81
774-9994/006-302	399	774-9994/216-401	400	890-263	129	890-627	82
774-9994/006-401	399	774-9994/216-402	400	890-263/071-000	129	890-634	62
774-9994/006-402	399	774-9994/216-501	400	890-263/073-000	129	890-636	63
774-9994/006-501	399	774-9994/216-502	400	890-264	143	890-642	33
774-9994/006-502	399	774-9994/216-601	400	890-264/071-000	143	890-643	55
774-9994/006-601	399	774-9994/216-602	400	890-264/072-000	143	890-644	75
774-9994/006-602	399	774-9994/216-701	400	890-264/073-000	143	890-653	61
774-9994/006-701	399	774-9994/216-702	400	890-265	159	890-654	81
774-9994/006-702	399	774-9994/216-801	400	890-265/073-000	159	890-655	101
774-9994/006-801	399	774-9994/216-802	400	890-272	115	890-656	61
774-9994/006-802	399			890-273	129	890-665	62
774-9994/016-101	400	831 Series		890-273/071-000	129	890-671	101
774-9994/016-102	400	831-3105/1019-004	385	890-273/073-000	129	890-672	102
774-9994/016-201	400	831-3105/1019-050	385	890-274	143	890-673	63
774-9994/016-202	400	831-3205/1020-004	385	890-274/071-000	143	890-674	83
774-9994/016-301	400	831-3205/1020-050	385	890-274/072-000	143	890-675	103
774-9994/016-302	400			890-274/073-000	143	890-676	81
774-9994/016-401	400	890 Series		890-275	159	890-677	82
774-9994/016-402	400	890-101	29	890-275/073-000	159	890-684	62
774-9994/016-501	400	890-102	29	890-282	115	890-686	63
774-9994/016-502	400	890-103	51	890-282/080-000	115	890-692	33
774-9994/016-601	400	890-104	71	890-282/082-000	115	890-693	55
774-9994/016-602	400	890-105	89	890-283	129	890-694	75
774-9994/016-701	400	890-111	29	890-283/081-000	129	890-702	33
774-9994/016-702	400	890-112	30	890-283/082-000	129	890-703	55
774-9994/016-801	400	890-113	51	890-284	143	890-704	75
774-9994/016-802	400	890-114	71	890-284/081-000	143	890-705	93
774-9994/106-101	399	890-115	89	890-285	159	890-705/006-000	93
774-9994/106-102	399	890-121	29	890-285/080-000	159	890-712	33

Item Number Index

Item No.	Page	Item No.	Page	Item No.	Page	Item No.	Page
890 Series		890 Series		890 Series		891 Series	
890-713	55	890-805	97	890-983	103	891-8982/016-102	48
890-714	75	890-805/011-000	98	890-994	82	891-8982/016-201	48
890-715	94	890-812	35	890-995	83	891-8982/016-202	48
890-722	33	890-812/011-000	36	890-1102	31	891-8982/016-301	48
890-723	55	890-813	57	890-1105	90	891-8982/016-302	48
890-724	75	890-813/011-000	58	890-1112	31	891-8982/016-401	48
890-725	93	890-814	77	890-1115	90	891-8982/016-402	48
890-725/006-000	93	890-814/011-000	78	890-1601	123	891-8982/016-501	48
890-732	33	890-815	97	890-1602	123	891-8982/016-502	48
890-733	55	890-815/011-000	98	890-1603	123	891-8982/016-601	48
890-734	75	890-822	35	890-1606	39	891-8982/016-602	48
890-735	94	890-822/011-000	36	890-1615	39	891-8982/016-701	48
890-742	117	890-823	57	890-1617	39	891-8982/016-702	48
890-742/060-000	117	890-823/011-000	58	890-1620	39	891-8982/016-801	48
890-743	131	890-824	77	890-1622	41	891-8982/016-802	48
890-743/060-000	131	890-824/011-000	78	890-1631	151	891-8982/106-101	47
890-743/062-000	131	890-825	97	890-1632	151	891-8982/106-102	47
890-744	145	890-825/011-000	98	890-1633	151	891-8982/106-201	47
890-744/060-000	145	890-832	35	890-1634	40	891-8982/106-202	47
890-744/062-000	145	890-832/011-000	36	890-1636	40	891-8982/106-301	47
890-744/064-000	145	890-833	57	890-1656	39	891-8982/106-302	47
890-745	161	890-833/011-000	58	890-1661	137	891-8982/106-401	47
890-745/060-000	161	890-834	77	890-1662	137	891-8982/106-402	47
890-745/062-000	161	890-834/011-000	78	890-1663	137	891-8982/106-501	47
890-752	117	890-835	97	890-1665	39	891-8982/106-502	47
890-752/060-000	117	890-835/011-000	98	890-1672	41	891-8982/106-601	47
890-753	131	890-842	119	890-1681	152	891-8982/106-602	47
890-753/060-000	131	890-842/011-000	120	890-1682	152	891-8982/106-701	47
890-753/062-000	131	890-843	133	890-1683	152	891-8982/106-702	47
890-754	145	890-843/011-000	134	890-1684	40	891-8982/106-801	47
890-754/060-000	145	890-844	147	890-1686	40	891-8982/106-802	47
890-754/062-000	145	890-844/011-000	148	890-1701	123	891-8982/116-101	48
890-754/064-000	145	890-845	163	890-1702	123	891-8982/116-102	48
890-755	161	890-845/011-000	164	890-1703	123	891-8982/116-201	48
890-755/060-000	161	890-852	119	890-1731	151	891-8982/116-202	48
890-755/062-000	161	890-852/011-000	120	890-1732	151	891-8982/116-301	48
890-762	117	890-853	133	890-1733	151	891-8982/116-302	48
890-763	131	890-853/011-000	134	890-1734	153	891-8982/116-401	48
890-763/071-000	131	890-854	147	890-1735	153	891-8982/116-402	48
890-763/073-000	131	890-854/011-000	148	890-1736	153	891-8982/116-501	48
890-764	145	890-855	163	890-1761	137	891-8982/116-502	48
890-764/071-000	145	890-855/011-000	164	890-1762	137	891-8982/116-601	48
890-764/072-000	145	890-862	119	890-1763	137	891-8982/116-602	48
890-764/073-000	145	890-862/011-000	120	890-1781	152	891-8982/116-701	48
890-765	161	890-863	133	890-1782	152	891-8982/116-702	48
890-765/073-000	161	890-863/011-000	134	890-1783	152	891-8982/116-801	48
890-772	117	890-864	147	890-1904	41	891-8982/116-802	48
890-773	131	890-864/011-000	148	890-1907	41	891-8982/206-101	47
890-773/071-000	131	890-865	163	890-2102	33	891-8982/206-102	47
890-773/073-000	131	890-865/011-000	164	890-2105	93	891-8982/206-201	47
890-774	145	890-872	119	890-2105/006-000	93	891-8982/206-202	47
890-774/071-000	145	890-872/011-000	120	890-2112	33	891-8982/206-301	47
890-774/072-000	145	890-873	133	890-2115	94	891-8982/206-302	47
890-774/073-000	145	890-873/011-000	134	890-3102	35	891-8982/206-401	47
890-775/073-000	161	890-874	147	890-3102/011-000	36	891-8982/206-402	47
890-782	117	890-874/011-000	148	890-3105	97	891-8982/206-501	47
890-782/080-000	117	890-875	163	890-3105/011-000	98	891-8982/206-502	47
890-782/082-000	117	890-875/011-000	164	890-3112	35	891-8982/206-601	47
890-783	131	890-882	119	890-3112/011-000	36	891-8982/206-602	47
890-783/081-000	131	890-882/011-000	120	890-3115	97	891-8982/206-701	47
890-783/082-000	131	890-883	133	890-3115/011-000	98	891-8982/206-702	47
890-784	145	890-883/011-000	134			891-8982/206-801	47
890-784/081-000	145	890-884	147			891-8982/206-802	47
890-785/080-000	161	890-884/011-000	148			891-8982/216-101	48
890-785/082-000	161	890-885	163			891-8982/216-102	48
890-792	117	890-885/011-000	164			891-8982/216-201	48
890-792/080-000	117	890-892	119			891-8982/216-202	48
890-792/082-000	117	890-892/011-000	120			891-8982/216-301	48
890-793	131	890-893	133			891-8982/216-302	48
890-793/081-000	131	890-893/011-000	134			891-8982/216-401	48
890-793/082-000	131	890-894	147			891-8982/216-402	48
890-794	145	890-894/011-000	148			891-8982/216-501	48
890-794/081-000	145	890-895	163			891-8982/216-502	48
890-795/080-000	161	890-895/011-000	164			891-8982/216-601	48
890-795/082-000	161	890-929	102			891-8982/216-602	48
890-802	35	890-930	103			891-8982/216-701	48
890-802/011-000	36	890-944	82			891-8982/216-702	48
890-803	57	890-945	83			891-8982/216-801	48
890-803/011-000	58	890-979	102			891-8982/216-802	48
890-804	77	890-980	103			891-8985/006-101	107
890-804/011-000	78	890-982	102			891-8985/006-102	107
				891 Series			
				891-8982/006-101	47		
				891-8982/006-102	47		
				891-8982/006-201	47		
				891-8982/006-202	47		
				891-8982/006-301	47		
				891-8982/006-302	47		
				891-8982/006-401	47		
				891-8982/006-402	47		
				891-8982/006-501	47		
				891-8982/006-502	47		
				891-8982/006-601	47		
				891-8982/006-602	47		
				891-8982/006-701	47		
				891-8982/006-702	47		
				891-8982/006-801	47		
				891-8982/006-802	47		
				891-8982/016-101	48		

Item No.	Page	Item No.	Page	Item No.	Page	Item No.	Page
891 Series		891 Series		891 Series		891 Series	
891-8985/006-201	107	891-8985/216-202	108	891-8992/006-605	126	891-8992/105-803	125
891-8985/006-202	107	891-8985/216-301	108	891-8992/006-607	126	891-8992/105-805	125
891-8985/006-301	107	891-8985/216-302	108	891-8992/006-701	45	891-8992/105-807	125
891-8985/006-302	107	891-8985/216-401	108	891-8992/006-702	45	891-8992/106-101	45
891-8985/006-401	107	891-8985/216-402	108	891-8992/006-703	126	891-8992/106-102	45
891-8985/006-402	107	891-8985/216-501	108	891-8992/006-705	126	891-8992/106-103	126
891-8985/006-501	107	891-8985/216-502	108	891-8992/006-707	126	891-8992/106-105	126
891-8985/006-502	107	891-8985/216-601	108	891-8992/006-801	45	891-8992/106-107	126
891-8985/006-601	107	891-8985/216-602	108	891-8992/006-802	45	891-8992/106-201	45
891-8985/006-602	107	891-8985/216-701	108	891-8992/006-803	126	891-8992/106-202	45
891-8985/006-701	107	891-8985/216-702	108	891-8992/006-805	126	891-8992/106-203	126
891-8985/006-702	107	891-8985/216-801	108	891-8992/006-807	126	891-8992/106-205	126
891-8985/006-801	107	891-8985/216-802	108	891-8992/015-101	44	891-8992/106-207	126
891-8985/006-802	107	891-8992/005-101	43	891-8992/015-102	44	891-8992/106-301	45
891-8985/016-101	108	891-8992/005-102	43	891-8992/015-201	44	891-8992/106-302	45
891-8985/016-102	108	891-8992/005-103	125	891-8992/015-202	44	891-8992/106-303	126
891-8985/016-201	108	891-8992/005-105	125	891-8992/015-301	44	891-8992/106-305	126
891-8985/016-202	108	891-8992/005-107	125	891-8992/015-302	44	891-8992/106-307	126
891-8985/016-301	108	891-8992/005-201	43	891-8992/015-401	44	891-8992/106-401	45
891-8985/016-302	108	891-8992/005-202	43	891-8992/015-402	44	891-8992/106-402	45
891-8985/016-401	108	891-8992/005-203	125	891-8992/015-501	44	891-8992/106-403	126
891-8985/016-402	108	891-8992/005-205	125	891-8992/015-502	44	891-8992/106-405	126
891-8985/016-501	108	891-8992/005-207	125	891-8992/015-601	44	891-8992/106-407	126
891-8985/016-502	108	891-8992/005-301	43	891-8992/015-602	44	891-8992/106-501	45
891-8985/016-601	108	891-8992/005-302	43	891-8992/015-701	44	891-8992/106-502	45
891-8985/016-602	108	891-8992/005-303	125	891-8992/015-702	44	891-8992/106-503	126
891-8985/016-701	108	891-8992/005-305	125	891-8992/015-801	44	891-8992/106-505	126
891-8985/016-702	108	891-8992/005-307	125	891-8992/015-802	44	891-8992/106-507	126
891-8985/016-801	108	891-8992/005-401	43	891-8992/016-101	46	891-8992/106-601	45
891-8985/016-802	108	891-8992/005-402	43	891-8992/016-102	46	891-8992/106-602	45
891-8985/106-101	107	891-8992/005-403	125	891-8992/016-201	46	891-8992/106-603	126
891-8985/106-102	107	891-8992/005-405	125	891-8992/016-202	46	891-8992/106-605	126
891-8985/106-201	107	891-8992/005-407	125	891-8992/016-301	46	891-8992/106-607	126
891-8985/106-202	107	891-8992/005-501	43	891-8992/016-302	46	891-8992/106-701	45
891-8985/106-301	107	891-8992/005-502	43	891-8992/016-401	46	891-8992/106-702	45
891-8985/106-302	107	891-8992/005-503	125	891-8992/016-402	46	891-8992/106-703	126
891-8985/106-401	107	891-8992/005-505	125	891-8992/016-501	46	891-8992/106-705	126
891-8985/106-402	107	891-8992/005-507	125	891-8992/016-502	46	891-8992/106-707	126
891-8985/106-501	107	891-8992/005-601	43	891-8992/016-601	46	891-8992/106-801	45
891-8985/106-502	107	891-8992/005-602	43	891-8992/016-602	46	891-8992/106-802	45
891-8985/106-601	107	891-8992/005-603	125	891-8992/016-701	46	891-8992/106-803	126
891-8985/106-602	107	891-8992/005-605	125	891-8992/016-702	46	891-8992/106-805	126
891-8985/106-701	107	891-8992/005-607	125	891-8992/016-801	46	891-8992/106-807	126
891-8985/106-702	107	891-8992/005-701	43	891-8992/016-802	46	891-8992/115-101	44
891-8985/106-801	107	891-8992/005-702	43	891-8992/105-101	43	891-8992/115-102	44
891-8985/106-802	107	891-8992/005-703	125	891-8992/105-102	43	891-8992/115-201	44
891-8985/116-101	108	891-8992/005-705	125	891-8992/105-103	125	891-8992/115-202	44
891-8985/116-102	108	891-8992/005-707	125	891-8992/105-105	125	891-8992/115-301	44
891-8985/116-201	108	891-8992/005-801	43	891-8992/105-107	125	891-8992/115-302	44
891-8985/116-202	108	891-8992/005-802	43	891-8992/105-201	43	891-8992/115-401	44
891-8985/116-301	108	891-8992/005-803	125	891-8992/105-202	43	891-8992/115-402	44
891-8985/116-302	108	891-8992/005-805	125	891-8992/105-203	125	891-8992/115-501	44
891-8985/116-401	108	891-8992/005-807	125	891-8992/105-205	125	891-8992/115-502	44
891-8985/116-402	108	891-8992/006-101	45	891-8992/105-207	125	891-8992/115-601	44
891-8985/116-501	108	891-8992/006-102	45	891-8992/105-301	43	891-8992/115-602	44
891-8985/116-502	108	891-8992/006-103	126	891-8992/105-302	43	891-8992/115-701	44
891-8985/116-601	108	891-8992/006-105	126	891-8992/105-303	125	891-8992/115-702	44
891-8985/116-602	108	891-8992/006-107	126	891-8992/105-305	125	891-8992/115-801	44
891-8985/116-701	108	891-8992/006-201	45	891-8992/105-307	125	891-8992/115-802	44
891-8985/116-702	108	891-8992/006-202	45	891-8992/105-401	43	891-8992/116-101	46
891-8985/116-801	108	891-8992/006-203	126	891-8992/105-402	43	891-8992/116-102	46
891-8985/116-802	108	891-8992/006-205	126	891-8992/105-403	125	891-8992/116-201	46
891-8985/206-101	107	891-8992/006-207	126	891-8992/105-405	125	891-8992/116-202	46
891-8985/206-102	107	891-8992/006-301	45	891-8992/105-407	125	891-8992/116-301	46
891-8985/206-201	107	891-8992/006-302	45	891-8992/105-501	43	891-8992/116-302	46
891-8985/206-202	107	891-8992/006-303	126	891-8992/105-502	43	891-8992/116-401	46
891-8985/206-301	107	891-8992/006-305	126	891-8992/105-503	125	891-8992/116-402	46
891-8985/206-302	107	891-8992/006-307	126	891-8992/105-505	125	891-8992/116-501	46
891-8985/206-401	107	891-8992/006-401	45	891-8992/105-507	125	891-8992/116-502	46
891-8985/206-402	107	891-8992/006-402	45	891-8992/105-601	43	891-8992/116-601	46
891-8985/206-501	107	891-8992/006-403	126	891-8992/105-602	43	891-8992/116-602	46
891-8985/206-502	107	891-8992/006-405	126	891-8992/105-603	125	891-8992/116-701	46
891-8985/206-601	107	891-8992/006-407	126	891-8992/105-605	125	891-8992/116-702	46
891-8985/206-602	107	891-8992/006-501	45	891-8992/105-607	125	891-8992/116-801	46
891-8985/206-701	107	891-8992/006-502	45	891-8992/105-701	43	891-8992/116-802	46
891-8985/206-702	107	891-8992/006-503	126	891-8992/105-702	43	891-8992/205-101	43
891-8985/206-801	107	891-8992/006-505	126	891-8992/105-703	125	891-8992/205-102	43
891-8985/206-802	107	891-8992/006-507	126	891-8992/105-705	125	891-8992/205-103	125
891-8985/216-101	108	891-8992/006-601	45	891-8992/105-707	125	891-8992/205-105	125
891-8985/216-102	108	891-8992/006-602	45	891-8992/105-801	43	891-8992/205-107	125
891-8985/216-201	108	891-8992/006-603	126	891-8992/105-802	43	891-8992/205-201	43

Item Number Index

Item No.	Page	Item No.	Page	Item No.	Page	Item No.	Page
891 Series		891 Series		891 Series		891 Series	
891-8992/205-202	43	891-8992/215-402	44	891-8993/006-402	67	891-8993/105-601	65
891-8992/205-203	125	891-8992/215-501	44	891-8993/006-403	140	891-8993/105-602	65
891-8992/205-205	125	891-8992/215-502	44	891-8993/006-405	140	891-8993/105-603	139
891-8992/205-207	125	891-8992/215-601	44	891-8993/006-407	140	891-8993/105-605	139
891-8992/205-301	43	891-8992/215-602	44	891-8993/006-501	67	891-8993/105-607	139
891-8992/205-302	43	891-8992/215-701	44	891-8993/006-502	67	891-8993/105-701	65
891-8992/205-303	125	891-8992/215-702	44	891-8993/006-503	140	891-8993/105-702	65
891-8992/205-305	125	891-8992/215-801	44	891-8993/006-505	140	891-8993/105-703	139
891-8992/205-307	125	891-8992/215-802	44	891-8993/006-507	140	891-8993/105-705	139
891-8992/205-401	43	891-8992/216-101	46	891-8993/006-601	67	891-8993/105-707	139
891-8992/205-402	43	891-8992/216-102	46	891-8993/006-602	67	891-8993/105-801	65
891-8992/205-403	125	891-8992/216-201	46	891-8993/006-603	140	891-8993/105-802	65
891-8992/205-405	125	891-8992/216-202	46	891-8993/006-605	140	891-8993/105-803	139
891-8992/205-407	125	891-8992/216-301	46	891-8993/006-607	140	891-8993/105-805	139
891-8992/205-501	43	891-8992/216-302	46	891-8993/006-701	67	891-8993/105-807	139
891-8992/205-502	43	891-8992/216-401	46	891-8993/006-702	67	891-8993/106-101	67
891-8992/205-503	125	891-8992/216-402	46	891-8993/006-703	140	891-8993/106-102	67
891-8992/205-505	125	891-8992/216-501	46	891-8993/006-705	140	891-8993/106-103	140
891-8992/205-507	125	891-8992/216-502	46	891-8993/006-707	140	891-8993/106-105	140
891-8992/205-601	43	891-8992/216-601	46	891-8993/006-801	67	891-8993/106-107	140
891-8992/205-602	43	891-8992/216-602	46	891-8993/006-802	67	891-8993/106-201	67
891-8992/205-603	125	891-8992/216-701	46	891-8993/006-803	140	891-8993/106-202	67
891-8992/205-605	125	891-8992/216-702	46	891-8993/006-805	140	891-8993/106-203	140
891-8992/205-607	125	891-8992/216-801	46	891-8993/006-807	140	891-8993/106-205	140
891-8992/205-701	43	891-8992/216-802	46	891-8993/015-101	66	891-8993/106-207	140
891-8992/205-702	43	891-8993/005-101	65	891-8993/015-102	66	891-8993/106-301	67
891-8992/205-703	125	891-8993/005-102	65	891-8993/015-201	66	891-8993/106-302	67
891-8992/205-705	125	891-8993/005-103	139	891-8993/015-202	66	891-8993/106-303	140
891-8992/205-707	125	891-8993/005-105	139	891-8993/015-301	66	891-8993/106-305	140
891-8992/205-801	43	891-8993/005-107	139	891-8993/015-302	66	891-8993/106-307	140
891-8992/205-802	43	891-8993/005-201	65	891-8993/015-401	66	891-8993/106-401	67
891-8992/205-803	125	891-8993/005-202	65	891-8993/015-402	66	891-8993/106-402	67
891-8992/205-805	125	891-8993/005-203	139	891-8993/015-501	66	891-8993/106-403	140
891-8992/205-807	125	891-8993/005-205	139	891-8993/015-502	66	891-8993/106-405	140
891-8992/206-101	45	891-8993/005-207	139	891-8993/015-601	66	891-8993/106-407	140
891-8992/206-102	45	891-8993/005-301	65	891-8993/015-602	66	891-8993/106-501	67
891-8992/206-103	126	891-8993/005-302	65	891-8993/015-701	66	891-8993/106-502	67
891-8992/206-105	126	891-8993/005-303	139	891-8993/015-702	66	891-8993/106-503	140
891-8992/206-107	126	891-8993/005-305	139	891-8993/015-801	66	891-8993/106-505	140
891-8992/206-201	45	891-8993/005-307	139	891-8993/015-802	66	891-8993/106-507	140
891-8992/206-202	45	891-8993/005-401	65	891-8993/016-101	68	891-8993/106-601	67
891-8992/206-203	126	891-8993/005-402	65	891-8993/016-102	68	891-8993/106-602	67
891-8992/206-205	126	891-8993/005-403	139	891-8993/016-201	68	891-8993/106-603	140
891-8992/206-207	126	891-8993/005-405	139	891-8993/016-202	68	891-8993/106-605	140
891-8992/206-301	45	891-8993/005-407	139	891-8993/016-301	68	891-8993/106-607	140
891-8992/206-302	45	891-8993/005-501	65	891-8993/016-302	68	891-8993/106-701	67
891-8992/206-303	126	891-8993/005-502	65	891-8993/016-401	68	891-8993/106-702	67
891-8992/206-305	126	891-8993/005-503	139	891-8993/016-402	68	891-8993/106-703	140
891-8992/206-307	126	891-8993/005-505	139	891-8993/016-501	68	891-8993/106-705	140
891-8992/206-401	45	891-8993/005-507	139	891-8993/016-502	68	891-8993/106-707	140
891-8992/206-402	45	891-8993/005-601	65	891-8993/016-601	68	891-8993/106-801	67
891-8992/206-403	126	891-8993/005-602	65	891-8993/016-602	68	891-8993/106-802	67
891-8992/206-405	126	891-8993/005-603	139	891-8993/016-701	68	891-8993/106-803	140
891-8992/206-407	126	891-8993/005-605	139	891-8993/016-702	68	891-8993/106-805	140
891-8992/206-501	45	891-8993/005-607	139	891-8993/016-801	68	891-8993/106-807	140
891-8992/206-502	45	891-8993/005-701	65	891-8993/016-802	68	891-8993/115-101	66
891-8992/206-503	126	891-8993/005-702	65	891-8993/105-101	65	891-8993/115-102	66
891-8992/206-505	126	891-8993/005-703	139	891-8993/105-102	65	891-8993/115-201	66
891-8992/206-507	126	891-8993/005-705	139	891-8993/105-103	139	891-8993/115-202	66
891-8992/206-601	45	891-8993/005-707	139	891-8993/105-105	139	891-8993/115-301	66
891-8992/206-602	45	891-8993/005-801	65	891-8993/105-107	139	891-8993/115-302	66
891-8992/206-603	126	891-8993/005-802	65	891-8993/105-201	65	891-8993/115-401	66
891-8992/206-605	126	891-8993/005-803	139	891-8993/105-202	65	891-8993/115-402	66
891-8992/206-607	126	891-8993/005-805	139	891-8993/105-203	139	891-8993/115-501	66
891-8992/206-701	45	891-8993/005-807	139	891-8993/105-205	139	891-8993/115-502	66
891-8992/206-702	45	891-8993/006-101	67	891-8993/105-207	139	891-8993/115-601	66
891-8992/206-703	126	891-8993/006-102	67	891-8993/105-301	65	891-8993/115-602	66
891-8992/206-705	126	891-8993/006-103	140	891-8993/105-302	65	891-8993/115-701	66
891-8992/206-707	126	891-8993/006-105	140	891-8993/105-303	139	891-8993/115-702	66
891-8992/206-801	45	891-8993/006-107	140	891-8993/105-305	139	891-8993/115-801	66
891-8992/206-802	45	891-8993/006-201	67	891-8993/105-307	139	891-8993/115-802	66
891-8992/206-803	126	891-8993/006-202	67	891-8993/105-401	65	891-8993/116-101	68
891-8992/206-805	126	891-8993/006-203	140	891-8993/105-402	65	891-8993/116-102	68
891-8992/206-807	126	891-8993/006-205	140	891-8993/105-403	139	891-8993/116-201	68
891-8992/215-101	44	891-8993/006-207	140	891-8993/105-405	139	891-8993/116-202	68
891-8992/215-102	44	891-8993/006-301	67	891-8993/105-407	139	891-8993/116-301	68
891-8992/215-201	44	891-8993/006-302	67	891-8993/105-501	65	891-8993/116-302	68
891-8992/215-202	44	891-8993/006-303	140	891-8993/105-502	65	891-8993/116-401	68
891-8992/215-301	44	891-8993/006-305	140	891-8993/105-503	139	891-8993/116-402	68
891-8992/215-302	44	891-8993/006-307	140	891-8993/105-505	139	891-8993/116-501	68
891-8992/215-401	44	891-8993/006-401	67	891-8993/105-507	139	891-8993/116-502	68

Item No.	Page	Item No.	Page	Item No.	Page	Item No.	Page
891 Series		891 Series		891 Series		891 Series	
891-8993/116-601	68	891-8993/206-801	67	891-8994/006-501	85	891-8994/106-502	85
891-8993/116-602	68	891-8993/206-802	67	891-8994/006-502	85	891-8994/106-503	156
891-8993/116-701	68	891-8993/206-803	140	891-8994/006-503	156	891-8994/106-505	156
891-8993/116-702	68	891-8993/206-805	140	891-8994/006-505	156	891-8994/106-507	156
891-8993/116-801	68	891-8993/206-807	140	891-8994/006-507	156	891-8994/106-601	85
891-8993/116-802	68	891-8993/215-101	66	891-8994/006-601	85	891-8994/106-602	85
891-8993/205-101	65	891-8993/215-102	66	891-8994/006-602	85	891-8994/106-603	156
891-8993/205-102	65	891-8993/215-201	66	891-8994/006-603	156	891-8994/106-605	156
891-8993/205-103	139	891-8993/215-202	66	891-8994/006-605	156	891-8994/106-607	156
891-8993/205-105	139	891-8993/215-301	66	891-8994/006-607	156	891-8994/106-701	85
891-8993/205-107	139	891-8993/215-302	66	891-8994/006-701	85	891-8994/106-702	85
891-8993/205-201	65	891-8993/215-401	66	891-8994/006-702	85	891-8994/106-703	156
891-8993/205-202	65	891-8993/215-402	66	891-8994/006-703	156	891-8994/106-705	156
891-8993/205-203	139	891-8993/215-501	66	891-8994/006-705	156	891-8994/106-707	156
891-8993/205-205	139	891-8993/215-502	66	891-8994/006-707	156	891-8994/106-801	85
891-8993/205-207	139	891-8993/215-601	66	891-8994/006-801	85	891-8994/106-802	85
891-8993/205-301	65	891-8993/215-602	66	891-8994/006-802	85	891-8994/106-803	156
891-8993/205-302	65	891-8993/215-701	66	891-8994/006-803	156	891-8994/106-805	156
891-8993/205-303	139	891-8993/215-702	66	891-8994/006-805	156	891-8994/106-807	156
891-8993/205-305	139	891-8993/215-801	66	891-8994/006-807	156	891-8994/116-101	86
891-8993/205-307	139	891-8993/215-802	66	891-8994/016-101	86	891-8994/116-102	86
891-8993/205-401	65	891-8993/216-101	68	891-8994/016-102	86	891-8994/116-201	86
891-8993/205-402	65	891-8993/216-102	68	891-8994/016-201	86	891-8994/116-202	86
891-8993/205-403	139	891-8993/216-201	68	891-8994/016-202	86	891-8994/116-301	86
891-8993/205-405	139	891-8993/216-202	68	891-8994/016-301	86	891-8994/116-302	86
891-8993/205-407	139	891-8993/216-301	68	891-8994/016-302	86	891-8994/116-401	86
891-8993/205-501	65	891-8993/216-302	68	891-8994/016-401	86	891-8994/116-402	86
891-8993/205-502	65	891-8993/216-401	68	891-8994/016-402	86	891-8994/116-501	86
891-8993/205-503	139	891-8993/216-402	68	891-8994/016-501	86	891-8994/116-502	86
891-8993/205-505	139	891-8993/216-501	68	891-8994/016-502	86	891-8994/116-601	86
891-8993/205-507	139	891-8993/216-502	68	891-8994/016-601	86	891-8994/116-602	86
891-8993/205-601	65	891-8993/216-601	68	891-8994/016-602	86	891-8994/116-701	86
891-8993/205-602	65	891-8993/216-602	68	891-8994/016-701	86	891-8994/116-702	86
891-8993/205-603	139	891-8993/216-701	68	891-8994/016-702	86	891-8994/116-801	86
891-8993/205-605	139	891-8993/216-702	68	891-8994/016-801	86	891-8994/116-802	86
891-8993/205-607	139	891-8993/216-801	68	891-8994/016-802	86	891-8994/205-103	155
891-8993/205-701	65	891-8993/216-802	68	891-8994/105-103	155	891-8994/205-105	155
891-8993/205-702	65	891-8994/005-103	155	891-8994/105-105	155	891-8994/205-107	155
891-8993/205-703	139	891-8994/005-105	155	891-8994/105-107	155	891-8994/205-203	155
891-8993/205-705	139	891-8994/005-107	155	891-8994/105-203	155	891-8994/205-205	155
891-8993/205-707	139	891-8994/005-203	155	891-8994/105-205	155	891-8994/205-207	155
891-8993/205-801	65	891-8994/005-205	155	891-8994/105-207	155	891-8994/205-303	155
891-8993/205-802	65	891-8994/005-207	155	891-8994/105-303	155	891-8994/205-305	155
891-8993/205-803	139	891-8994/005-303	155	891-8994/105-305	155	891-8994/205-307	155
891-8993/205-805	139	891-8994/005-305	155	891-8994/105-307	155	891-8994/205-403	155
891-8993/205-807	139	891-8994/005-307	155	891-8994/105-403	155	891-8994/205-405	155
891-8993/206-101	67	891-8994/005-403	155	891-8994/105-405	155	891-8994/205-407	155
891-8993/206-102	67	891-8994/005-405	155	891-8994/105-407	155	891-8994/205-503	155
891-8993/206-103	140	891-8994/005-407	155	891-8994/105-503	155	891-8994/205-505	155
891-8993/206-105	140	891-8994/005-503	155	891-8994/105-505	155	891-8994/205-507	155
891-8993/206-107	140	891-8994/005-505	155	891-8994/105-507	155	891-8994/205-603	155
891-8993/206-201	67	891-8994/005-507	155	891-8994/105-603	155	891-8994/205-605	155
891-8993/206-202	67	891-8994/005-603	155	891-8994/105-605	155	891-8994/205-607	155
891-8993/206-203	140	891-8994/005-605	155	891-8994/105-607	155	891-8994/205-703	155
891-8993/206-205	140	891-8994/005-607	155	891-8994/105-703	155	891-8994/205-705	155
891-8993/206-207	140	891-8994/005-703	155	891-8994/105-705	155	891-8994/205-707	155
891-8993/206-301	67	891-8994/005-705	155	891-8994/105-707	155	891-8994/205-803	155
891-8993/206-302	67	891-8994/005-707	155	891-8994/105-803	155	891-8994/205-805	155
891-8993/206-303	140	891-8994/005-803	155	891-8994/105-805	155	891-8994/205-807	155
891-8993/206-305	140	891-8994/005-805	155	891-8994/105-807	155	891-8994/206-101	85
891-8993/206-307	140	891-8994/005-807	155	891-8994/106-101	85	891-8994/206-102	85
891-8993/206-401	67	891-8994/006-101	85	891-8994/106-102	85	891-8994/206-103	156
891-8993/206-402	67	891-8994/006-102	85	891-8994/106-103	156	891-8994/206-105	156
891-8993/206-403	140	891-8994/006-103	156	891-8994/106-105	156	891-8994/206-107	156
891-8993/206-405	140	891-8994/006-105	156	891-8994/106-107	156	891-8994/206-201	85
891-8993/206-407	140	891-8994/006-107	156	891-8994/106-201	85	891-8994/206-202	85
891-8993/206-501	67	891-8994/006-201	85	891-8994/106-202	85	891-8994/206-203	156
891-8993/206-502	67	891-8994/006-202	85	891-8994/106-203	156	891-8994/206-205	156
891-8993/206-503	140	891-8994/006-203	156	891-8994/106-205	156	891-8994/206-207	156
891-8993/206-505	140	891-8994/006-205	156	891-8994/106-207	156	891-8994/206-301	85
891-8993/206-507	140	891-8994/006-207	156	891-8994/106-301	85	891-8994/206-302	85
891-8993/206-601	67	891-8994/006-301	85	891-8994/106-302	85	891-8994/206-303	156
891-8993/206-602	67	891-8994/006-302	85	891-8994/106-303	156	891-8994/206-305	156
891-8993/206-603	140	891-8994/006-303	156	891-8994/106-305	156	891-8994/206-307	156
891-8993/206-605	140	891-8994/006-305	156	891-8994/106-307	156	891-8994/206-401	85
891-8993/206-607	140	891-8994/006-307	156	891-8994/106-401	85	891-8994/206-402	85
891-8993/206-701	67	891-8994/006-401	85	891-8994/106-402	85	891-8994/206-403	156
891-8993/206-702	67	891-8994/006-402	85	891-8994/106-403	156	891-8994/206-405	156
891-8993/206-703	140	891-8994/006-403	156	891-8994/106-405	156	891-8994/206-407	156
891-8993/206-705	140	891-8994/006-405	156	891-8994/106-407	156	891-8994/206-501	85
891-8993/206-707	140	891-8994/006-407	156	891-8994/106-501	85	891-8994/206-502	85

Item Number Index

Item No.	Page	Item No.	Page	Item No.	Page	Item No.	Page
891 Series		891 Series		891 Series		891 Series	
891-8994/206-503	156	891-8995/006-505	168	891-8995/106-507	168	891-8995/206-601	105
891-8994/206-505	156	891-8995/006-507	168	891-8995/106-601	105	891-8995/206-602	105
891-8994/206-507	156	891-8995/006-601	105	891-8995/106-602	105	891-8995/206-603	168
891-8994/206-601	85	891-8995/006-602	105	891-8995/106-603	168	891-8995/206-605	168
891-8994/206-602	85	891-8995/006-603	168	891-8995/106-605	168	891-8995/206-607	168
891-8994/206-603	156	891-8995/006-605	168	891-8995/106-607	168	891-8995/206-701	105
891-8994/206-605	156	891-8995/006-607	168	891-8995/106-701	105	891-8995/206-702	105
891-8994/206-607	156	891-8995/006-701	105	891-8995/106-702	105	891-8995/206-703	168
891-8994/206-701	85	891-8995/006-702	105	891-8995/106-703	168	891-8995/206-705	168
891-8994/206-702	85	891-8995/006-703	168	891-8995/106-705	168	891-8995/206-707	168
891-8994/206-703	156	891-8995/006-705	168	891-8995/106-707	168	891-8995/206-801	105
891-8994/206-705	156	891-8995/006-707	168	891-8995/106-801	105	891-8995/206-802	105
891-8994/206-707	156	891-8995/006-801	105	891-8995/106-802	105	891-8995/206-803	168
891-8994/206-801	85	891-8995/006-802	105	891-8995/106-803	168	891-8995/206-805	168
891-8994/206-802	85	891-8995/006-803	168	891-8995/106-805	168	891-8995/206-807	168
891-8994/206-803	156	891-8995/006-805	168	891-8995/106-807	168	891-8995/216-101	106
891-8994/206-805	156	891-8995/006-807	168	891-8995/116-101	106	891-8995/216-102	106
891-8994/206-807	156	891-8995/016-101	106	891-8995/116-102	106	891-8995/216-201	106
891-8994/216-101	86	891-8995/016-102	106	891-8995/116-201	106	891-8995/216-202	106
891-8994/216-102	86	891-8995/016-201	106	891-8995/116-202	106	891-8995/216-301	106
891-8994/216-201	86	891-8995/016-202	106	891-8995/116-301	106	891-8995/216-302	106
891-8994/216-202	86	891-8995/016-301	106	891-8995/116-302	106	891-8995/216-401	106
891-8994/216-301	86	891-8995/016-302	106	891-8995/116-401	106	891-8995/216-402	106
891-8994/216-302	86	891-8995/016-401	106	891-8995/116-402	106	891-8995/216-501	106
891-8994/216-401	86	891-8995/016-402	106	891-8995/116-501	106	891-8995/216-502	106
891-8994/216-402	86	891-8995/016-501	106	891-8995/116-502	106	891-8995/216-601	106
891-8994/216-501	86	891-8995/016-502	106	891-8995/116-601	106	891-8995/216-602	106
891-8994/216-502	86	891-8995/016-601	106	891-8995/116-602	106	891-8995/216-701	106
891-8994/216-601	86	891-8995/016-602	106	891-8995/116-701	106	891-8995/216-702	106
891-8994/216-602	86	891-8995/016-701	106	891-8995/116-702	106	891-8995/216-801	106
891-8994/216-701	86	891-8995/016-702	106	891-8995/116-801	106	891-8995/216-802	106
891-8994/216-702	86	891-8995/016-801	106	891-8995/116-802	106		
891-8994/216-801	86	891-8995/016-802	106	891-8995/205-103	167	893 Series	
891-8994/216-802	86	891-8995/105-103	167	891-8995/205-105	167	893-121	429
891-8995/005-103	167	891-8995/105-105	167	891-8995/205-107	167	893-261	425
891-8995/005-105	167	891-8995/105-107	167	891-8995/205-203	167	893-1002	397
891-8995/005-107	167	891-8995/105-203	167	891-8995/205-205	167	893-1012	397
891-8995/005-203	167	891-8995/105-205	167	891-8995/205-207	167	893-1022	407
891-8995/005-205	167	891-8995/105-207	167	891-8995/205-303	167	893-1032	407
891-8995/005-207	167	891-8995/105-303	167	891-8995/205-305	167	893-1606	411
891-8995/005-303	167	891-8995/105-305	167	891-8995/205-307	167	893-1656	411
891-8995/005-305	167	891-8995/105-307	167	891-8995/205-403	167	893-2002	409
891-8995/005-307	167	891-8995/105-403	167	891-8995/205-405	167	893-2012	409
891-8995/005-403	167	891-8995/105-405	167	891-8995/205-407	167	893-2022	409
891-8995/005-405	167	891-8995/105-407	167	891-8995/205-503	167	893-2032	409
891-8995/005-407	167	891-8995/105-503	167	891-8995/205-505	167		
891-8995/005-503	167	891-8995/105-505	167	891-8995/205-507	167	894 Series	
891-8995/005-505	167	891-8995/105-507	167	891-8995/205-603	167	894-8992/023-106	414
891-8995/005-507	167	891-8995/105-603	167	891-8995/205-605	167	894-8992/023-107	415
891-8995/005-603	167	891-8995/105-605	167	891-8995/205-607	167	894-8992/023-306	414
891-8995/005-605	167	891-8995/105-607	167	891-8995/205-703	167	894-8992/023-307	415
891-8995/005-607	167	891-8995/105-703	167	891-8995/205-705	167	894-8992/023-506	414
891-8995/005-703	167	891-8995/105-705	167	891-8995/205-707	167	894-8992/023-507	415
891-8995/005-705	167	891-8995/105-707	167	891-8995/205-803	167	894-8992/033-106	413
891-8995/005-707	167	891-8995/105-803	167	891-8995/205-805	167	894-8992/033-306	413
891-8995/005-803	167	891-8995/105-805	167	891-8995/205-807	167	894-8992/033-506	413
891-8995/005-805	167	891-8995/105-807	167	891-8995/206-101	105	894-8992/123-106	414
891-8995/005-807	167	891-8995/106-101	105	891-8995/206-102	105	894-8992/123-107	415
891-8995/006-101	105	891-8995/106-102	105	891-8995/206-103	168	894-8992/123-306	414
891-8995/006-102	105	891-8995/106-103	168	891-8995/206-105	168	894-8992/123-307	415
891-8995/006-103	168	891-8995/106-105	168	891-8995/206-107	168	894-8992/133-106	413
891-8995/006-105	168	891-8995/106-107	168	891-8995/206-201	105	894-8992/133-306	413
891-8995/006-107	168	891-8995/106-201	105	891-8995/206-202	105	894-8992/223-106	414
891-8995/006-201	105	891-8995/106-202	105	891-8995/206-203	168	894-8992/223-107	415
891-8995/006-202	105	891-8995/106-203	168	891-8995/206-205	168	894-8992/223-306	414
891-8995/006-203	168	891-8995/106-205	168	891-8995/206-207	168	894-8992/223-506	414
891-8995/006-205	168	891-8995/106-207	168	891-8995/206-301	105	894-8992/223-107	415
891-8995/006-207	168	891-8995/106-301	105	891-8995/206-302	105	894-8992/223-306	414
891-8995/006-301	105	891-8995/106-302	105	891-8995/206-303	168	894-8992/223-507	415
891-8995/006-302	105	891-8995/106-303	168	891-8995/206-305	168	894-8992/233-106	413
891-8995/006-303	168	891-8995/106-305	168	891-8995/206-307	168	894-8992/233-306	413
891-8995/006-305	168	891-8995/106-307	168	891-8995/206-401	105	894-8992/233-506	413
891-8995/006-307	168	891-8995/106-401	105	891-8995/206-402	105		
891-8995/006-401	105	891-8995/106-402	105	891-8995/206-403	168	895 Series	
891-8995/006-402	105	891-8995/106-403	168	891-8995/206-405	168	895-1051	437
891-8995/006-403	168	891-8995/106-405	168	891-8995/206-407	168	895-1052	438
891-8995/006-405	168	891-8995/106-407	168	891-8995/206-501	105	895-1601	500
891-8995/006-407	168	891-8995/106-501	105	891-8995/206-502	105		
891-8995/006-501	105	891-8995/106-502	105	891-8995/206-503	168		
891-8995/006-502	105	891-8995/106-503	168	891-8995/206-505	168		
891-8995/006-503	168	891-8995/106-505	168	891-8995/206-507	168		

Item No.	Page	Item No.	Page	Item No.	Page	Item No.	Page
895 Series		899 Series					
895-1602	500	899-631/374-000	468				
895-1603	500	899-631/386-000	471				
895-1604	500	899-631/395-000	449				
895-1605	500	899-631/405-000	465				
895-1651	441	899-631/421-000	466				
895-1652	442	899-631/442-000	466				
896 Series		899-631/443-000	467				
896-231	433	899-631/444-000	465				
896-232	434	899-631/450-000	460				
896-233	435	899-631/453-000	461				
896-234	435	899-631/454-000	461				
897 Series		899-631/455-000	463				
897-120	502	899-632	476				
897-121	504	899-632/101-000	474				
897-122	504	899-632/138-000	475				
897-230	502	899-632/182-000	473				
897-231	504	899-632/199-000	474				
897-232	504	899-681	476				
897-250	502	899-681/100-000	453				
897-251	503	899-681/104-000	447				
897-252	503	899-681/104-000	447				
897-260	502	899-681/105-000	455				
897-261	503	899-681/123-000	459				
897-262	503	899-681/129-000	463				
897-453	503	899-681/142-000	456				
897-839	501	899-681/450-000	460				
897-859	501	899-682	476				
897-878	501						
897-900	502						
897-901	502						
897-931	509						
897-951	509						
897-952	509						
897-970	509						
897-971	509						
897-972	509						
897-1050	502						
897-1051	504						
897-1052	504						
897-1650	502						
897-1651	505						
897-1652	505						
899 Series							
899-631	476						
899-631/100-000	453						
899-631/104-000	447						
899-631/105-000	454						
899-631/123-000	469						
899-631/130-000	470						
899-631/140-000	448						
899-631/149-000	458						
899-631/180-000	468						
899-631/181-000	462						
899-631/186-000	454						
899-631/187-000	451						
899-631/189-000	471						
899-631/302-000	457						
899-631/304-000	469						
899-631/305-000	472						
899-631/308-000	472						
899-631/309-000	467						
899-631/311-000	450						
899-631/312-000	452						
899-631/313-000	464						
899-631/315-000	473						
899-631/319-000	464						
899-631/327-000	451						
899-631/330-000	448						
899-631/331-000	449						
899-631/334-000	450						
899-631/338-000	458						
899-631/339-000	459						
899-631/341-000	452						
899-631/346-000	455						
899-631/349-000	456						
899-631/350-000	457						
899-631/354-000	462						
899-631/363-000	470						

WAGO Worldwide

Companies and Representatives

Algeria
please contact WAGO France

Argentina
Bruno Schillig S.A.
Arenales 4030, B1604CFD
Florida, PBA
Phone +54 11 4730 1100
Fax +54 11 4761 7244
wago@schillig.com.ar

Armenia
ROOT ITSP LLC
33 Halabyan str.
0038, Yerevan
info@root.am

Australia
WAGO Pty. Ltd.
2-4 Overseas Drive
Noble Park Victoria 3174
Phone +61 03 8791 6300
Fax +61 03 9701 0177
sales.anz@wago.com

NHP ELECTRICAL ENGINEERING PRODUCTS PTY LTD
43-67 River Street
Richmond, Victoria, 3121
P.O. Box 199
Phone +61 3 9429 2999
Fax +61 3 9429 1075
export@wago.com

Austria
WAGO Kontakttechnik Ges.m.b.H.
Europaring F15 602
Campus 21
2345 Brunn am Gebirge
Phone +43 1 6150780
Fax +43 1 6150775
wago-at@wago.com

Azerbaijan
AZ Technics LTD
Zulfi V. Alizade
Y.Safarov str.33, AZ1025,
Baku
Phone +994 50 210 24 49
Fax +994 12 496 83 34
info@AZtechnics.az

Bangladesh
please contact WAGO India

Belarus
DemsEnergO LLC
Smolyachkova Str. 16, Office 2
220005 Minsk
Phone: +375 17 2102189
Fax: +375 17 2102189
dems@dems.by

ATAVA Techno Ltd.
Ul. Denisovskaya 47, Office 1
220006 Minsk
Phone: +375173881018
atava@atava.by

Belgium
WAGO BeLux nv
Excelsiorlaan 11
1930 Zaventem
Phone +32 2 717 9090
Fax +32 2 717 9099
info-be@wago.com

Bolivia
ISOTEK S.R.L.
Zona Casco Viejo
Calle Isso #578, B/San Roque
Santa Cruz
Phone +591 721 000 27
info@isotek.bo

Bosnia & Herzegovina
please contact WAGO Bulgaria

AM-ELEKTRIK doo
Dzemala Blijedica 160F
71000 Sarajevo
Phone +38762 59 99 54
Fax +38733 92 23 89
info@amelektrik.com
www.am-elektrik.com

Brazil
WAGO Eletroeletrônicos Ltda
Rua Tripoli, 640, Lotamento Multivias II
Jardim Ermida I
Jundiaí - SP
CEP 13212-217
Phone +55 (11) 2923 7200
info.br@wago.com

Bulgaria
WAGO Kontakttechnik GmbH & Co. KG
Representative Office Sofia
Business Center Serdika
2E Akad. Ivan Geshov Blvd.
Building 1, Floor 4, Office 417
1330 Sofia
Phone +359 2 489 46 09/10
Fax +359 2 928 28 50
info-BG@wago.com

Canada
WAGO Canada, Inc.
1550 Yorkton Court - Unit 1
Burlington, ON L7P 5B7
Phone +1-888-9246-221
info.ca@wago.com

Chile
Desimat Chile
Av Puerto Vespuccio 9670
Pudahuel Santiago
Phone +56 2 747 0152
Fax +56 2 747 0153
ventaschile@desimat.cl

China
WAGO Electronic (Tianjin) Co., Ltd.
No.5, Quan Hui Road
Wuqing Development Area
Tianjin 301700
Phone +86 22 5967 7688
Fax +86 22 5961 7668
info-cn@wago.com

Colombia
T.H.L. Ltda.
Cra. 49 B # 91-33
Bogotá
Phone +57 1 621 85 50
Fax +57 1 621 60 28
ventas-thl2@thl.com.co

Croatia
M.B.A. d.o.o.
Frana Supila 5
51211 Matulji
Phone +385 51 275-736
Fax +385 51 275-066
mba@ri.htnet.hr

MICROSTAR d.o.o.
Siget 18 b
10020 Zagreb
Phone +385 1 3647 849
Fax +385 1 3636 662
wago@microstar.hr

Czech Republic
WAGO Elektro spol. sr. o.
Rozvodova 1116/36
143 00 Praha 4 - Modřany
Phone +420 261 090 143
Fax +420 261 090 144
info.cz@wago.com
wago-cz@wago.com

Denmark
WAGO Denmark A/S
Lejrvej 17
3500 Værløse
Phone +45 44 357 777
info.dk@wago.com

Ecuador
ECUAINSETEC CIA LTDA
Yugoslavia N34-110 y Azuay
Quito
Phone +593 2 24 50 475
Fax +593 2 22 51 242
g.castro@ecuainsetec.com.ec

Egypt
KENANA Automation / System Integrator
(Water & Waste Water)
2 Building 10, Block 31
Ibrahim Shehata Street
Nasr City
Cairo, Egypt
Phone +2 01 02899 3434
Fax +2 02 357 3353
mohamed.bahgat@kenanaeg.com

IBN Engineering / Distributor
(Automation Products)
Phone +2 02 3721 4350
Fax +2 02 3722 1709
nasrelwly@ibnengineering.com

Barkouky Electric / System Integrator (Building Management)
Phone +2 02 2269 1192
Fax +2 02 2269 1193
ahmed@barkouky.com.eg

Misc (Interconnection & Interface Products)
Phone +202 226 80994/7
Fax +202 226 79469
sales@miscgypt.com

Estonia
Eltarko OÜ
Treali tee 2 door 6
Peetri küla
Rae vald
75312 Harjumaa
Phone +372 651 7731
Fax +372 651 7786
andres@eltarko.ee

Finland
WAGO Finland Oy
Perintötie 2 C
01510 Vantaa
Phone +358 9 7744 060
Fax +358 9 7744 0660
tilaus@wago.fi

France
WAGO Contact SAS
Paris Nord 2
83 Rue des Chardonnerets
93290 - Tremblay en France
B.P. 95947 - ROISSY CDG CEDEX
Phone +33 1 4817 2590
Fax +33 1 4863 2520
info-fr@wago.com

Germany
WAGO Kontakttechnik GmbH & Co. KG
Hansastraße 27
32423 Minden
Phone +49 571 887-0
Fax +49 571 887-169
info@wago.com

WAGO Kontakttechnik GmbH & Co. KG
Waldstraße 1
99706 Sondershausen
Phone +49 3632 659-0
Fax +49 3632 659-100
info@wago.com

Great Britain
WAGO Limited
Triton Park, Swift Valley Industrial Estate
RUGBY
Warwickshire, CV21 1SG
Phone +44 1788 568 008
Fax +44 1788 568 050
uksales@wago.com

Greece
PANAGIOTIS SP. DIMOULAS
DIMOULAS AUTOMATIONS
Kritis Str. 26
10439 Athens
Phone +30 210 883 3337
Fax +30 210 883 4436
wago.info@dimoulas.com.gr

Honduras
CILASAS S.A. de C.V.
Barrio Los Andes
7 Calle entre 14 y 15 Ave. N.O.
P.O. Box. 1061
San Pedro Sula
Phone +504 2557 1146/7
Fax +504 2557 1149
ventas@iecilasa.com

Hong Kong
National Concord Eng., Ltd.
Unit A-B, 5/F,
Southeast Industrial Building
611-619 Castle Peak Road
Tsuen Wan, NT.
Phone +852 2429 2611
Fax +852 2429 2164
sales@nce.com.hk

Hungary
WAGO Hungária KFT
Ipári Park, Gyár u. 2
2040 Budapest
Phone +36 23 502-170
Fax +36 23 502-166
info.hu@wago.com

Iceland
S. Gudjonsson ehf.
Smidjuvegur 3
200 Kopavogur
Phone +354 520-4500
Fax +354 520-4501
export@wago.com

India
WAGO Private Limited
C-27, Sector-58, Phase-III
Noida-201 301
Gautam Budh Nagar (U.P)
Phone +91 120 438 8700
Fax +91 120 438 8799
info.india@wago.com

Indonesia
please contact WAGO Singapore

Iraq
please contact WAGO Middle East

Ireland
Drives & Controls
Unit F4, Riverview Business Park
Nangor Road
Dublin 12
Phone +353 1 4604474
Fax +353 1 4604507
info@drivesandcontrols.ie

Israel
Comtel Israel Electronic Solutions Ltd.
Bet Hapaamon
20 Hataas Street
P.O. Box 66
44425 Kefar-Saba
Phone +972 9 76 77 240
Fax +972 9 76 77 243
sales@comPhoneco.il

Italy
WAGO Elettronica SRL a Socio Unico
Via Parini 1
40033 Casalecchio di Reno (BO)
Phone +39 051 6132112
Fax +39 051 6272174
info-ita@wago.com

Japan
WAGO Co. of JAPAN Ltd.
Kinsicho Prime Tower
1-5-7, Kameido, Koto-ku
Tokyo 136-0071
Phone +81 3 5627 2050
Fax +81 3 5627 2055
info-jp@wago.com

Jordan
Oxgen for Engineering Systems Co. L.L.C
PO Box: 2154 Amman
11953 Jordan
Phone +962 79 9 860 869
Fax +962 655 211 89
info@oxgn-grp.com

Kazakhstan
Axima LLP
V.232/2, Ryskulov avenue
050061 Almaty
Phone +7 727 356 52 91/92/93
Fax +7 727 327 14 92/93
trade1@axima.kz
or@axima.kz

TOO Technik-Trade
ul. i. A. Protosanova, 81
070004 Ust-Kamenogorsk
Phone +7 7232 254 064
Fax +7 7232 253 251
info@technik.kz

Nova Solut LLC (System Integrator)
050042, The Republic Of Kazakhstan,
Almaty city, Toktabayeva 23, #10
Phone +7 777 206 04 76
director@novasolut.kz
tech@novasolut.kz

Korea
WAGO Korea Co., Ltd.
Room 205 AnyangMegaValley,
268, Hagui-ro, Dongan-gu, Anyang-si,
Gyeonggi-do, 14056, South Korea
Phone +82 31 421 9500
info.korea@wago.com

Kosovo
please contact WAGO Bulgaria

Latvia
INSTABALT LATVIA VIA
Vestienas iela 6
Rīga, LV-1035
Phone +371 6790 1188
Fax +371 6790 1180
info@instabalt.lv

Lebanon
Gemayel Trading & Contracting
Rue 55, Antonins Project-Bloc L
P.O. BOX 70-1096
Antelias, Lebanon
Phone +961 3 22 30 29
Fax +961 4 52 10 29
info@gtclb.com

Lithuania
INSTABALT LIT UAB
Savonorių 187
Vilnius, 2053
Phone +370 52 322 295
Fax +370 52 322 247
info@instabalt.lt

Luxembourg
please contact WAGO Belgium

Malaysia

WAGO Representative Office Malaysia
No 806, Block A4, Leisure Commerce Square,
No 9, Jalan PJS 8/9, 46150 Petaling Jaya,
Selangor Darul Ehsan, Malaysia
Phone +60 3 7877 1776
Fax +60 3 7877 2776
kian.guan.tan@wago.com

HPH Materials (M) Sdn Bhd
No. 4, Jalan Nilam 1/6
Suban Hi-Tech Industrial Park
40000 Shah Alam
Selangor, D.E. Malaysia
Phone +60 3 5638 2213
Fax +60 3 5638 8213
info@hphmaterials.com

Macedonia

please contact WAGO Bulgaria

Kompjuner Inzenering
Vladimir Komarov 1A-3/9
1000 Skopje
Phone +389 2 521 12 00

Maledives

please contact WAGO India

Mexico

WAGO SA de CV
Carretera estatal 431 Km. 2+200
Lote 99 Módulo 6
Parque Industrial Tecnológico Innovsciön
Querétaro
El Marqués, Qro. 76246
Phone +52 442 221 5946
Fax +52 442 221 5063
info.mx@wago.com

Moldova

Smart Delight SRL
Bulgara Str. 9/6
2001 Chisinau
Moldau
Phone +373 (373) 69 10 22 01
alexandres@starnet.md

Morocco

Automatisme & Connection Maroc
23, Rue Bourred
2ème étage, appt4
Roche Noire
20300 Casablanca
Phone +212 522 24 21 72/73
Fax +212 522 24 21 75
info-fr@wago.com

Nepal

please contact WAGO India

Netherlands

WAGO Nederland B.V.
Laan van de Ram 19
7234 BW APELDOORN
Phone +31 55 36 83 500
Fax +31 55 36 83 599
info-nl@wago.com

New Zealand

please contact WAGO Australia

NHP NZ
7 Lockhart Place
Mt Wellington
Phone +64 9 2761967
Fax +64 9 2761992
export@wago.com

Nigeria

GIL Automations Ltd.
Daily Times Complex
2 Lateef Jakande Rd., Agidingbi
100271 Ikeja, Lagos State
Phone +234 17132672335
sales@gilautomation.com

Norway

WAGO Norge AS
Jerkoveien 20
1067 Oslo
Phone +47 22 30 94 50
Fax +47 22 30 94 51
info.no@wago.com

Oman

please contact WAGO Middle East

Pakistan

FuziLogiX Automation & Control
Suit No. 14, 5th Floor, Shan Arcade
New Garden Town, Lahore
Phone +92 42 594 1503 - 4
Fax +92 42 585 1431
info@fuzilogix.com

Pakistan

S.A. Hamid & Co.
7 Brandreth Road
Lahore, 54000
Phone +92 42 376 500 99
Fax +92 42 376 513 91
sales@sahamid.com

Paraguay

AESA
Av. Madame Lynch
c/Antolin Irala
2309 Asunción
Phone +59 521674524
info@aesa.com.py

Peru

Manufacturas Eléctricas S.A.
Av O.R. Benavides 1215
15000 Lima
Phone +511 6196200
Fax +511 6196247
ventas@manelsa.com.pe

Philippines

please contact WAGO Singapore

Poland

WAGO ELWAG sp. z o. o.
ul. Piękna 58 a
50-506 Wrocław
Phone +48 71 3602970
Fax +48 71 3602999
wago.elwag@wago.com

Portugal

MORGADO & CA. LDA - SEDE
Estrada Exterior da
Circunvalação 3558/3560
Apartado 1057
4435 Rio Tinto
Phone +351 22 9770600
Fax +351 22 9770699
geral@morgadocl.pt

Quatar

GEBD - Gulf European Business
Development - Company W.L.L.)
PO Box: 20 000
Doha, Quatar
Phone +974 5591 5682
info@gebdc.com

Romania

WAGO Kontakttechnik GmbH & Co. KG
Representative Office Romania
Sos. Pipera-Tunari nr. 1/1
building 1, 2nd floor
077190 Voluntari, Ilfov
Phone +40-(0)31 421 85 68
info-RO@wago.com

VDR & Servicii srl

Str. Valeriu Braniște, nr. 60, ap.1,
sector 3
Phone +40 21 322 5074/76
Fax +40 21 322 5075
office@componente-automatizari.ro

Russia

OOO WAGO Contact Rus
Ilinskaya stret 5, bldg. 2
127576 Moscow
Phone +7 495 223-4747
info.ru@wago.com
www.wago.ru

OOO Prosoft

ul. Profsoznaya, 108
117437 Moscow
Phone +7 495 2340636
Fax +7 495 2340640
info@prosoft.ru

Saudi Arabia

Saudi Electronic Trading
P.O. Box 60712
Riyadh 11555
Phone +966 11 2063 377
Fax +966 11 4633 297
info@setra.com.sa

Serbia

please contact WAGO Bulgaria

Mehatronik Sistem d.o.o.
Bul. Oslobođenja 30
32000 Cacak
Phone +381 (0)32 310 088
Fax +381 (0)32 371 571
Mobil +381 (0)64 877 22 02
office@mehatronik.com

Sigma Controls Engineering doo
Jovana Skerlica 22
18000 Nis
Mobil +381 (0)63 403 104
wago@sce.rs
www.sce.rs

Singapore

WAGO Electronic Pte Ltd
138 Joo Seng Road #06-01
Singapore 368361
Phone +65 62866776
Fax +65 62842425
info-sing@wago.com
www.wago.sg

Slovakia

Proelektro spol. s r.o.
Na barine 22
841 03 Bratislava - Lamač
Phone +421 2 4569 2503
info@wago.sk

Slovenia

IC elektronika d.o.o.
Vodovodna cesta 100
1000 Ljubljana
Phone +386 1568 01 26
Fax +386 1568 91 07
info@ic-elect.si

South Africa

Shorrock Automation CC
Nellmapius drive
5 Regency Drive, Route 21 Corp. Park
0051 Centurion
Phone +27 12 4500300
Fax +27 12 4500322
sales@shorrock.co.za

Spain

DICOMAT S.L.
Avda. de la Industria, 36
Apartado Correos, 1.178
28108-Alcobendas (Madrid)
Phone +34 91 662 1362
Fax +34 91 661 0089
info@dicomat-asetyc.com

Sri Lanka

please contact WAGO India

Sweden

WAGO Sverige AB
Box 11127, 161 11 BROMMA
Besöksadress: Adolfsbergsv. 31
Phone +46 858410680
info.se@wago.com

Switzerland

WAGO CONTACT SA
Rte. de l'Industrie 19
Case Postale 168
1564 Domdidier
Phone +41/26 676 75 00
Fax +41/26 676 75 01
info.switzerland@wago.com

Syria

Zahabi Co.
8/5 Shouhadaa St., P.O. Box 8262
Aleppo
Phone +963 21 21 22 235 / 6
Fax +963 21 21 22 23 7
info.uae@wago.com

Taiwan R.O.C.

WAGO Contact, Ltd.
5F., No.168, Jiankang Rd
Zhonghe City
Taipei County 23585, Taiwan
Phone +886 2 2225 0123
Fax +886 2 2225 1511
info.taiwan@wago.com

Thailand

WAGO Representative Office Thailand
4th Floor, KS Building
213/6-8 Rachada-Phisek Road
Dingdaeng, Bangkok 10400
Phone +66 2 6935611
Fax +66 2 6935612
warongkon.khankham@wago.com

US Power Distribution Co., Ltd.

4th Floor, KS Building
213/6-8 Rachada-Phisek Road
Dingdaeng, Bangkok 10400
Phone +66 2 2763040
Fax +66 2 2763049
uspwer2014@gmail.com

Itthirit Technology Co., Ltd.

Vision Business Park 2 Floor 4
Soi Raminthra 55/8, Watcharapon Road
Tharaeng, Bangkok District
Bangkok Thailand 10220
Phone +66 2 347 0780
Fax +66 2 347 0772
sales@itthirittechnology.com

Tunisia

please contact WAGO France

Turkey

WAGO Elektronik Sanayi ve Ticaret Ltd. Şti.
Yükarı Dudullu Mahallesi Bayraktar Bulvarı
Cad. Hattat Sok. No. 10
34775 Ümraniye - İstanbul
Phone +90 216 472 1133
Fax +90 216 472 9910
info.tr@wago.com

Ukraine

NPP Logicon
Predslavinskaya street, 39, Office 303
03150 Kiev
Phone +380 44 5228019
Fax +380 44 2611803
info@logicon.ua

Micropribor Ltd.

4, Krzhizhanovskiy Str.
03142 Kiev
Phone +380 44 392 93 86
Fax +380 44 392 93 87
sales@micropribor.kiev.ua

United Arab Emirates (UAE)

WAGO Middle East (FZC)
SAIF Zone, Q4-282
P.O. Box 120665
Sharjah, UAE
Phone +971 6 5579920
Fax +971 6 5579921
info.uae@wago.com

Uruguay

Fivisa Electricidad
Avda. Uruguay 1274
11100 Montevideo
Phone +59 829 020 808
Fax +59 829 021 230
info@fivisa.com.uy

USA

WAGO CORPORATION
N120 W19129 Freistadt Road
Germantown, WI 53022
Phone +1 262 255 6222
Fax +1 262 255 3232
Toll-Free: 1-800 DIN Rail (346-7245)
info.us@wago.com

Venezuela

PETROBORNAS, C.A.
C.C. PLAZA AEROPUERTO - PISO 1 - LOCAL
P1-B-03
(8015) UNARE - PUERTO ORDAZ -
ESTADO BOLIVAR
REPÚBLICA BOLIVARIANA DE
VENEZUELA
Phone +58 286 951 3382
Fax +58 286 951 3382
info@petrobornas.com

Vietnam

please contact WAGO Germany (Minden)

Version: 02/2019

Current adresses at www.wago.com

WAGO Kontakttechnik GmbH & Co. KG

Postfach 2880 · D · 32385 Minden
Hansastraße 27 · D · 32423 Minden
info@wago.com
www.wago.com

Headquarters	+49 571 887 - 0
Sales	+49 571 887 - 44222
Order Service	+49 571 887 - 44333
Fax	+49 571 887 - 844169