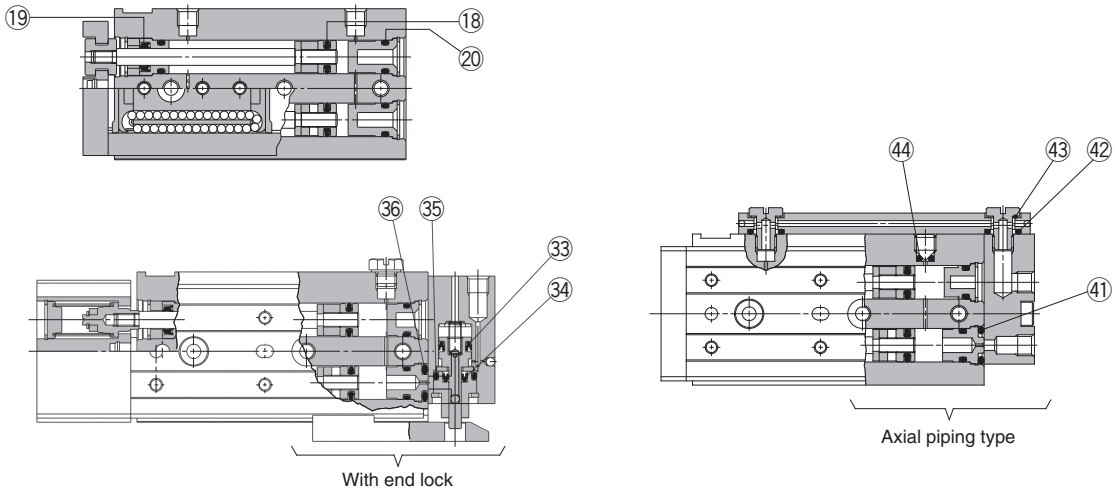


# Series MXQ

ø6, ø8, ø12, ø16  
ø20, ø25



## Construction



\* The numbers are the same as the "Construction" of the Best Pneumatics No.3 Series MXQ.

### Seal Kit List

| No. | Description | Material | Note |
|-----|-------------|----------|------|
| 18  | Piston seal | NBR      |      |
| 19  | Rod seal    |          |      |
| 20  | O-ring      |          |      |

### With end lock

|    |             |     |  |
|----|-------------|-----|--|
| 33 | Piston seal | NBR |  |
| 34 | Rod seal    |     |  |
| 35 | O-ring      |     |  |
| 36 | O-ring      |     |  |

### Axial piping type

|    |        |                      |  |
|----|--------|----------------------|--|
| 41 | O-ring | NBR                  |  |
| 42 | O-ring | NBR                  |  |
| 43 | Gasket | NBR, Stainless steel |  |
| 44 | O-ring | NBR                  |  |

\* Seal kit includes these seals to provide as a set. Order the seal kit, based on each bore size.

### Replacement Parts: Seal Kit

| Bore size (mm) | Kit no.  | Contents                       |
|----------------|----------|--------------------------------|
| 6              | MXQ6-PS  | Set of left nos.<br>18, 19, 20 |
| 8              | MXQ8-PS  |                                |
| 12             | MXQ12-PS |                                |
| 16             | MXQ16-PS |                                |
| 20             | MXQ20-PS |                                |
| 25             | MXQ25-PS |                                |

### Replacement Parts: Seal Kit for with End Lock

| Bore size (mm) | Kit no.   | Contents                                       |
|----------------|-----------|--|
| 8              | MXQ8R-PS  | Set of left nos.<br>18, 19, 20, 33, 34, 35, 36 |
| 12             | MXQ12R-PS |  |
| 16             | MXQ16R-PS |  |
| 20             | MXQ20R-PS |  |
| 25             | MXQ25R-PS |  |

### Replacement Parts: Seal Kit for Axial Piping Type

| Bore size (mm) | Kit no.   | Contents                                       |
|----------------|-----------|--|
| 6              | MXQ6P-PS  | Set of left nos.<br>18, 19, 20, 41, 42, 43, 44 |
| 8              | MXQ8P-PS  |  |
| 12             | MXQ12P-PS |  |
| 16             | MXQ16P-PS | Set of left nos.<br>18, 19, 20, 41, 42, 43     |
| 20             | MXQ20P-PS |  |
| 25             | MXQ25P-PS |  |

### Replacement Parts: Grease Pack

| Applied section | Grease pack part no. |
|-----------------|----------------------|
| Guide           | GR-S-010 (10 g)      |
|                 | GR-S-020 (20 g)      |
| Cylinder        | GR-L-005 (5 g)       |
|                 | GR-L-010 (10 g)      |