

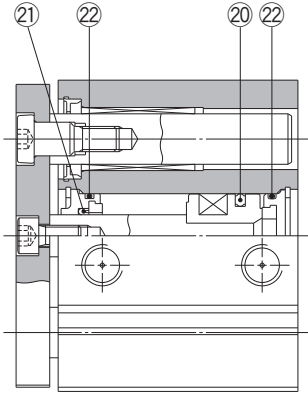
Series MGQ

ø12, ø16, ø20, ø25
ø32, ø40, ø50, ø63
ø80, ø100

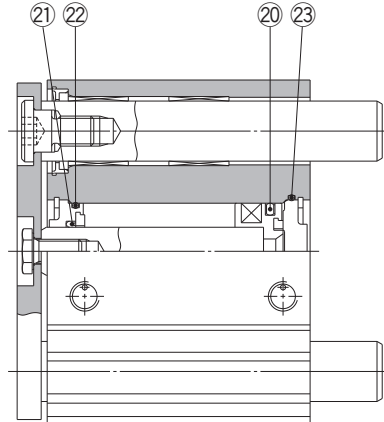
Replacement
Procedure is
P.333

Construction

MGQM12 to 25



MGQM32 to 100



* The numbers are the same as the "Construction" of the Best Pneumatics No.3 Series MGQ.

Seal Kit List

No.	Description	Material	Note
20	Piston seal	NBR	
21	Rod seal		
22	Gasket A		
23	Gasket B		

Replacement Parts: Seal Kit

Bore size (mm)	Kit no.	Description
12	MGQ12-PS	Set of left nos. 20, 21, 22, 23
16	MGQ16-PS	
20	MGQ20-PS	
25	MGQ25-PS	
32	MGQ32-PS	
40	MGQ40-PS	
50	MGQ50-PS	
63	MGQ63-PS	
80	MGQ80-PS	
100	MGQ100-PS	

* Seal kit includes 20 to 23. Order the seal kit, based on each bore size.

* Since the seal kit does not include a grease pack, order it separately.

Grease pack part no.: GR-S-010 (10 g)

Actuators

Modular F.R.L.
Pressure Control Equipment

Air Preparation
Equipment

Industrial Filters

Replacement
Procedure

Actuators

Modular F.R.L.
Pressure Control Equipment

Industrial Filters