

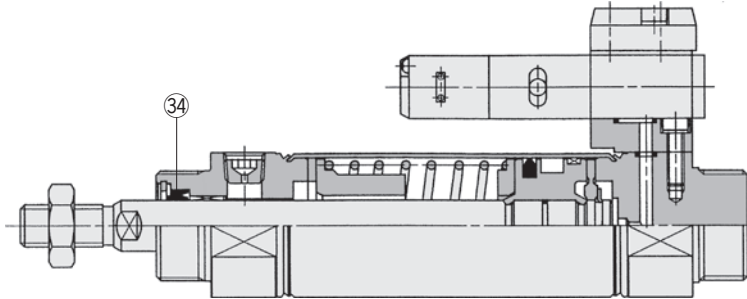
# Series CVM3

ø20, ø25, ø32, ø40

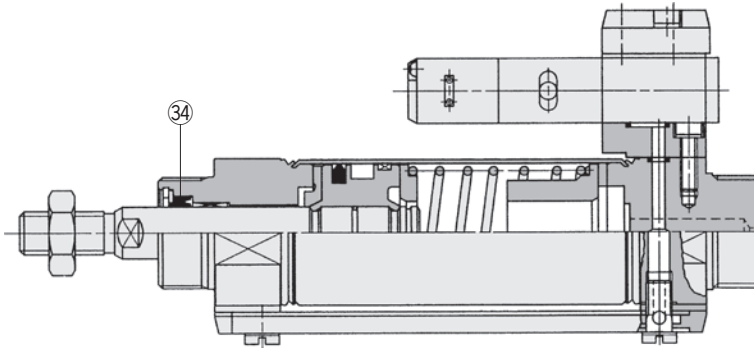
Replacement Procedure is P.280

## Construction

### Spring return



### Spring extend



\* The numbers are the same as the "Construction" of the Best Pneumatics No.3 Series CVM3.

### Seal Kit List

No.	Description	Material	Note
34	Rod seal	NBR	

### Replacement Parts: Seal Kit

Bore size (mm)	Kit no.	Contents
20	KB01587	
25	KB01588	
32	KB01590	
40	KB01592	

\* Since the seal kit does not include a grease pack, order it separately.  
Grease pack part no.: GR-S-010 (10 g)

Actuators

Modular F.R.L.  
Pressure Control Equipment

Air Preparation  
Equipment

Industrial Filters

Replacement  
Procedure

Actuators

Modular F.R.L.  
Pressure Control Equipment

Industrial Filters