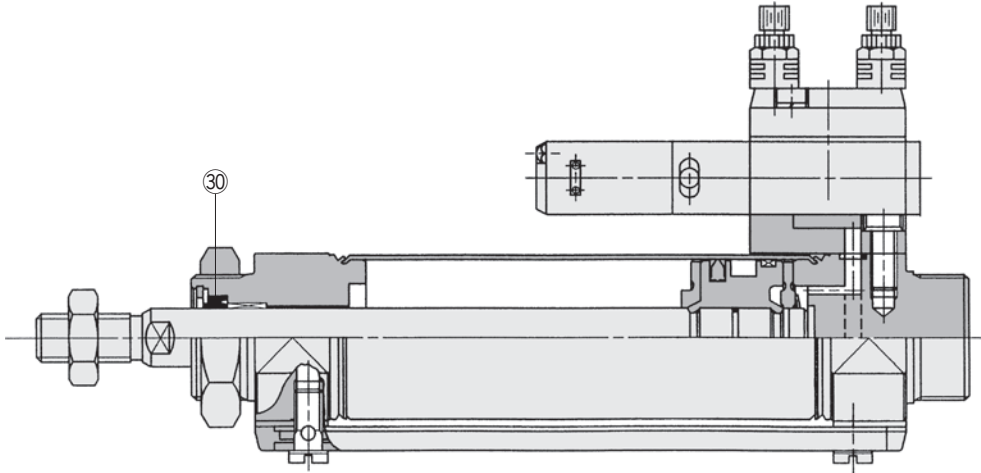


Series CVM5

ø20, ø25, ø32, ø40

Replacement
Procedure is
P.280

Construction



* The numbers are the same as the "Construction" of the Best Pneumatics No.3 Series CVM5.

Seal Kit List

No.	Description	Material	Note
30	Rod seal	NBR	

Replacement Parts: Seal Kit

Bore size (mm)	Kit no.	Contents
20	KB01587	
25	KB01588	
32	KB01590	
40	KB01592	

* Since the seal kit does not include a grease pack, order it separately.
Grease pack part no.: GR-S-010 (10 g)

Actuators

Modular F.R.L.
Pressure Control Equipment

Air Preparation
Equipment

Industrial Filters

Replacement
Procedure

Actuators

Modular F.R.L.
Pressure Control Equipment

Industrial Filters