

Air Cylinder/Double Rod Type

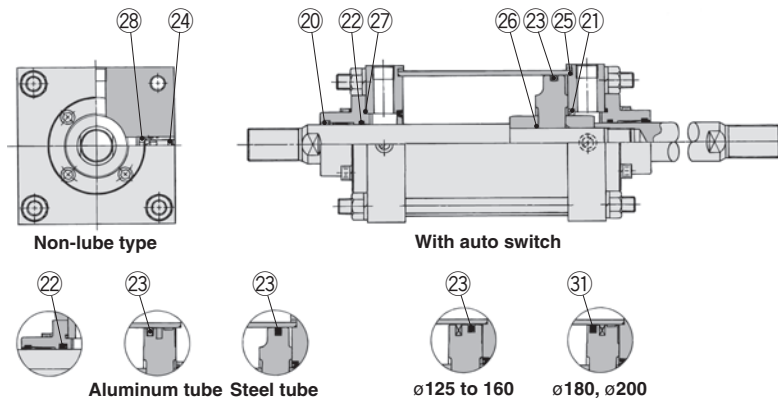
Series CS1W

Lube, Non-lube Type:
 $\phi 125$, $\phi 140$, $\phi 160$, $\phi 180$
 $\phi 200$, $\phi 250$, $\phi 300$
Air-hydro Type:
 $\phi 125$, $\phi 140$, $\phi 160$

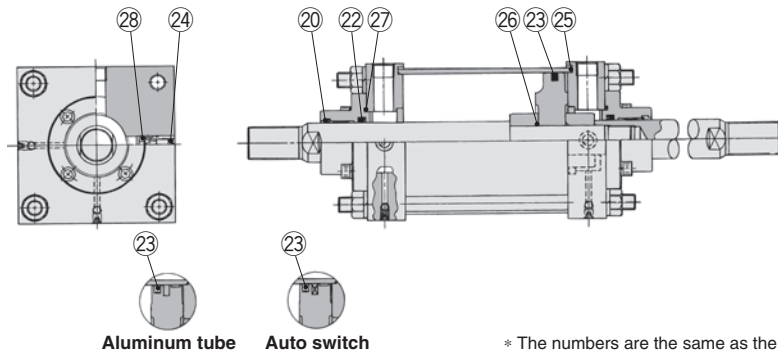


Construction

Lube, non-lube with auto switch



Air-hydro



* The numbers are the same as the "Construction" of the Best Pneumatics No.2 Series CS1.

Seal Kit List

No.	Description	Material	Note
20	Wiper ring	NBR	21, 26 and 28 are non-replaceable parts, so they are not included in the seal kit.
21	Cushion seal		
22	Rod seal		
23	Piston seal		
31	Valve seal		
24	Tube gasket		
25	Piston gasket		
27	Retaining plate gasket		
28	Guide gasket		

Replacement Parts: Seal Kit

Bore size (mm)	Kit no.	Contents
Lube		
125	CS1W-125A-PS	Component part numbers: 20, 22, 23, 24, 25, 27.
140	CS1W-140A-PS	
160	CS1W-160A-PS	
180	CS1W-180A-PS	
200	CS1W-200A-PS	
250	CS1W-250A-PS	
300	CS1W-300A-PS	

* Seal kit includes a grease pack ($\phi 125$ to 160 : 40 g, $\phi 180$ and 200 : 50 g, $\phi 250$ and 300 : 60 g). Order with the following part number when only the grease pack is needed.

Grease pack part no.: GR-S-010 (10 g), GR-S-020 (20 g)

Replacement Parts: Seal Kit

Bore size (mm)	Kit no.	Contents
Non-lube with auto switch		
125	CS1WN125A-PS	Component part numbers: 20, 22, 23, 24, 25, 27.
140	CS1WN140A-PS	
160	CS1WN160A-PS	
180	CS1WN180A-PS	
200	CS1WN200A-PS	
250 ^{note)}	CS1WN250A-PS	
300 ^{note)}	CS1WN300A-PS	
Lube with auto switch		
125	CS1W125A-PS	Component part numbers: 20, 22, 24, 25, 27, 31.
140	CS1W140A-PS	
160	CS1W160A-PS	
180	CDS1W180A-PS	
200	CDS1W200A-PS	

note) It is not available with auto switch.

* Seal kit includes a grease pack ($\phi 125$ to 160 : 40 g, $\phi 180$ and 200 : 50 g, $\phi 250$ and 300 : 60 g). Order with the following part number when only the grease pack is needed.

Grease pack part no.: GR-S-010 (10 g), GR-S-020 (20 g)

Air-hydro

Bore size (mm)	Kit no.	Contents
125	CS1WH125A-PS	Component part numbers: 20, 22, 23, 24, 25, 27.
140	CS1WH140A-PS	
160	CS1WH160A-PS	