

# One-touch Fittings Manifold

## Series *KM*

Compact piping possible.

Manifold piping possible.

Many varieties (40 types) are available.

One-touch fittings give the most efficient operation.



### Model

Model	Porting		No. of Port A	Port B size	Port A size		
	Port A	Port B			ø4	ø6	ø8
KM11	One-touch fitting	One-touch fitting	6, 10	ø8	●		
				ø10		●	
				ø12			●
KM12	One-touch fitting	Rc female thread	6, 10	Rc 1/4	●	●	
				Rc 3/8			●
KM13	One-touch fitting	One-touch fitting	3	ø6	●		
				ø8	●	●	
				ø10		●	●
KM14	One-touch fitting	One-touch fitting R male thread	3	ø6, R 1/8	●		
				ø6, R 1/4	●		
				ø6, R 3/8	●		
				ø8, R 1/8	●	●	
				ø8, R 1/4	●	●	
				ø8, R 3/8	●	●	
				ø10, R 1/4		●	●
				ø10, R 3/8		●	●
KM15	One-touch fitting	One-touch fitting Rod	3	ø6	●		
				ø8	●	●	
				ø10		●	●
KM16	One-touch fitting	One-touch fitting	3	ø4	●		
				ø6	●	●	

### Applicable Tubing

Tubing material	Nylon, Soft nylon, Polyurethane
Tubing O.D.	ø4, ø6, ø8, ø10, ø12

### Specifications

Model	KM11	KM12	KM13	KM14	KM15	KM16
Fluid	Air/Water <small>Note)</small>					
Maximum operating pressure	1.0 MPa					
Proof pressure	3.0 MPa					
Ambient and fluid temperature	-5 to 60°C, Water: 0 to 40°C (No freezing)					
Thread	—	JIS B 0203 (Taper thread for piping)	—	JIS B 0203 (Taper thread for piping)	—	—
Accessory	None	Hexagon socket head blank plug with seal: 1 pc.	None	None	None	None



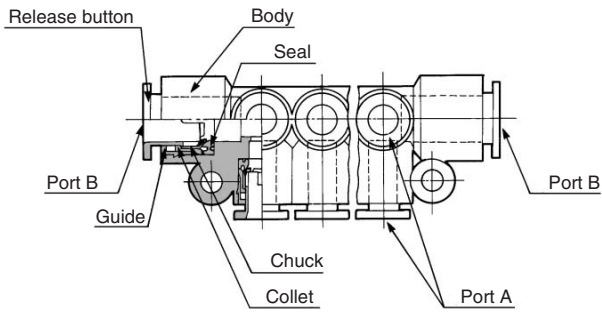
Note) Applicable for general industrial water. Please consult with SMC if using for other kinds of fluid.  
Also, the surge pressure must be under the maximum operating pressure.

### Principal Parts Material

Model	KM11	KM12	KM13	KM14	KM15	KM16
Body	PBT					
Stud	—	C3604BD	—	C3604BD	C3604BD-PBT	—
Chuck	Stainless steel 304					
Guide	C3604BD, Stainless steel 304					
Collet, Release button	POM					
Seal, O-ring	NBR					

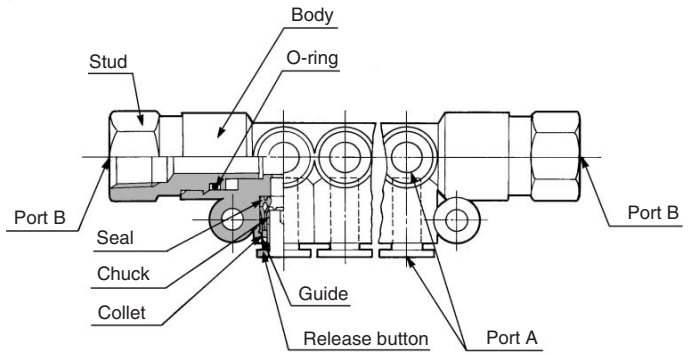
## Construction

### KM11



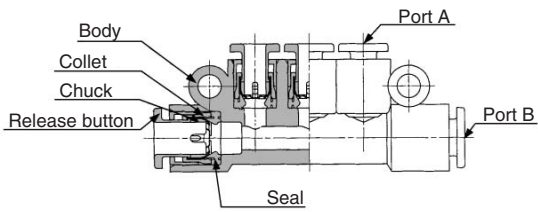
Port A: One-touch fitting  
Port B: One-touch fitting

### KM12



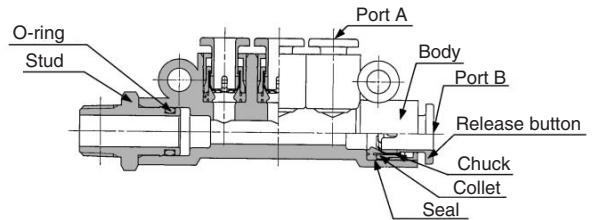
Port A: One-touch fitting  
Port B: Rc female thread

### KM13



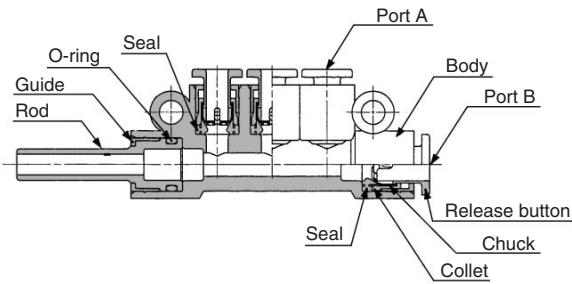
Port A: One-touch fitting  
Port B: One-touch fitting

### KM14



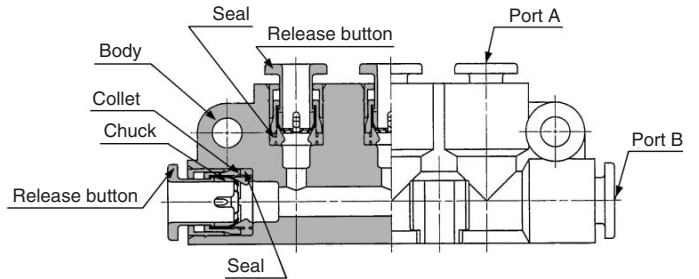
Port A: One-touch fitting  
Port B: One-touch fitting, R male thread

### KM15



Port A: One-touch fitting  
Port B: One-touch fitting  
Stud

### KM16



Port A: One-touch fitting  
Port B: One-touch fitting

K

M

H

D

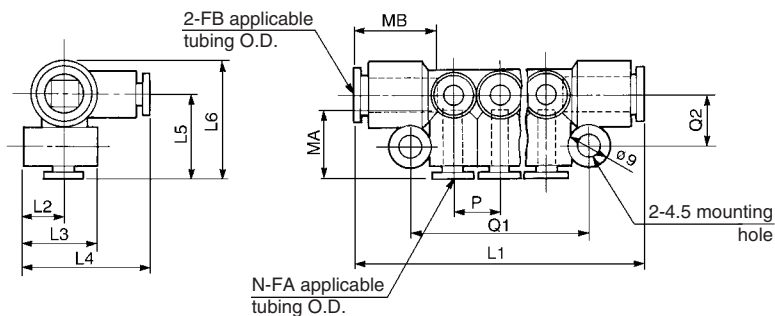
MS

T

VMG

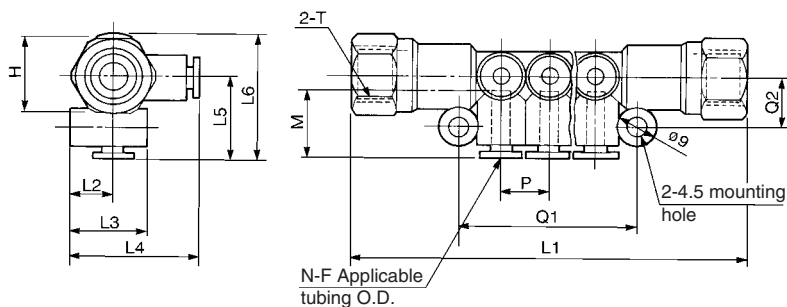
# Series KM

## Dimensions: KM11



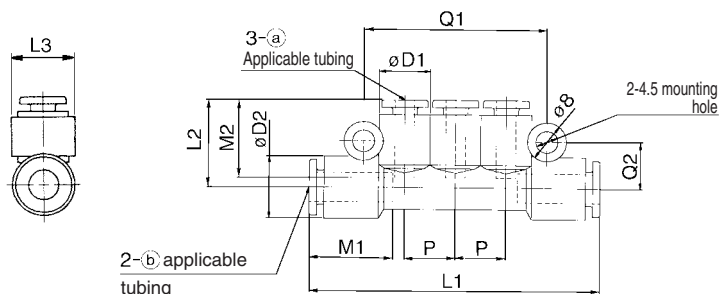
Applicable tubing O.D. (mm)		Model	N	L1	L2	L3	L4	L5	L6	P	Q1	Q2	MA	MB	Port B Min. port size	Weight (g)
FA	FB															
4	8	KM11-04-08-6	6	65	10	18	29.5	19.5	27	10.6	40	12	16	18.5	6	19
		KM11-04-08-10	10	86							61.5					26
6	10	KM11-06-10-6	6	76	10	19.5	31.5	21.5	31	13	47	13.5	17	21	7.5	29
		KM11-06-10-10	10	102							73					39
8	12	KM11-08-12-6	6	85	11.5	22.5	35.5	24	34.5	15.5	55	14.7	18.5	22	9	41
		KM11-08-12-10	10	116							86					57

## Dimensions: KM12



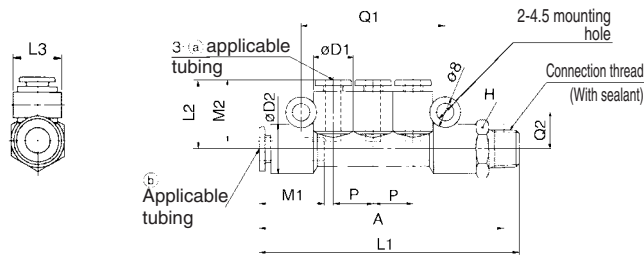
Applicable tubing O.D. F (mm)	Connection thread Rc T	Model	N	H (Width across flats)	L1	L2	L3	L4	L5	L6	P	Q1	Q2	M	Port B Min. port size	Weight (g)
4	1/4	KM12-04-02-6	6	17	89	10	18	29.5	19.5	29	10.6	40	12	16	6	65
		KM12-04-02-10	10		110							61.5				72
6	1/4	KM12-06-02-6	6	17	99	10	19.5	31.5	21.5	31	13	47	13.5	17	7.5	81
		KM12-06-02-10	10		125							73				91
8	3/8	KM12-08-03-6	6	19	108	11.5	22.5	35.5	24	34.5	15.5	55	14.7	18.5	9	97
		KM12-08-03-10	10		139							86				112

## Dimensions: KM13



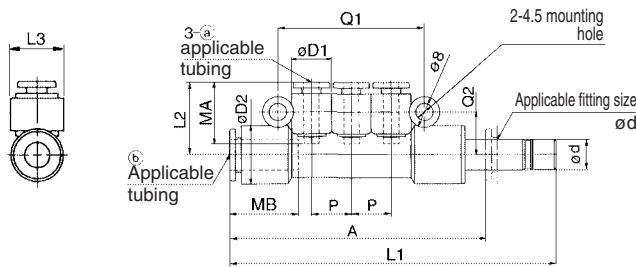
Applicable tubing O.D. (mm)		Model	øD1	øD2	L1	L2	L3	P	Q1	Q2	M1	M2	Port B Min. port size	Weight (g)
a)	b)													
4	6	KM13-04-06-3	10.4	12.8	60	18	13	10.4	38.2	9.9	17	16	4.5	11
	8	KM13-04-08-3		15.2	63.5	19	15.5			11.1	18.5		6	14
6	8	KM13-06-08-3	12.8	15.2	70.5	20	15.5	12.8	45.4	11.1	18.5	17	6	16
	10	KM13-06-10-3		18.5	74.5	21	19			12.8	21		7.5	22
8	10	KM13-08-10-3	15.2	18.5	81.5	22.5	19	15.2	52.6	12.8	21	18.5	7.5	26

## Dimensions: KM14



Applicable tubing O.D. (mm)		Connection thread R	Model	H (Width across flats)	øD1	øD2	L1	L2	L3	P	A	Q1	Q2	M1	M2	Port B Min. port size	Weight (g)
a	b																
4	6	1/8	KM14-04-06-01S-3	13	10.4	12.8	68	18	13	10.4	64	38.2	9.9	17	16	4.5	18
		1/4	KM14-04-06-02S-3	14			71.5				65.5						25
		3/8	KM14-04-06-03S-3	17			73.5				67.5						38
4	8	1/8	KM14-04-08-01S-3	17	10.4	15.2	73.5	19	15.5	10.4	69.5	38.2	11.1	18.5	16	6	30
		1/4	KM14-04-08-02S-3				76.5				70.5						38
		3/8	KM14-04-08-03S-3				77.5				71						38
6	8	1/8	KM14-06-08-01S-3	17	12.8	15.2	80	20	15.5	12.8	76.5	45.4	11.1	18.5	17	6	31
		1/4	KM14-06-08-02S-3				83				77						39
		3/8	KM14-06-08-03S-3				84				78						39
6	10	1/4	KM14-06-10-02S-3	19	12.8	18.5	87.5	21	19	12.8	81.5	45.4	12.8	21	17	7.5	43
		3/8	KM14-06-10-03S-3				88.5				82						44
		1/2	KM14-06-10-04S-3				92				84						66
8	10	1/4	KM14-08-10-02S-3	19	15.2	18.5	94	22.5	19	15.2	88	52.6	12.8	21	18.5	7.5	47
		3/8	KM14-08-10-03S-3				95				89						70
		1/2	KM14-08-10-04S-3				98.5				90.5						70

## Dimensions: KM15



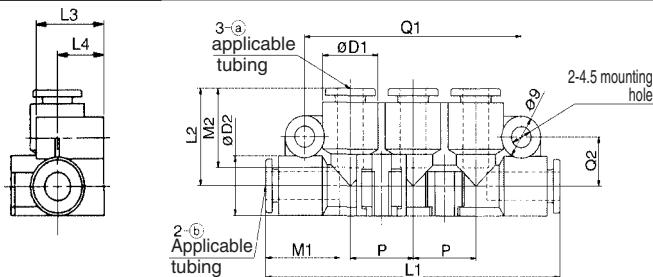
### Handling of One-touch Fittings

#### ⚠ Caution

Refer to "Fittings & Tubing Precautions" for the details of installation/removal of One-touch fittings.

Applicable tubing O.D. (mm)		Applicable fitting size ød	Model	øD1	øD2	L1	L2	L3	P	Q1	Q2	A	MA	MB	Port B min. port size	Weight (g)
a	b															
4	6	6	KM15-04-06-3	10.4	12.8	78.5	18	13	10.4	38.2	9.9	61.5	16	17	4.5	12
	8	8	KM15-04-08-3													15.2
6	8	8	KM15-06-08-3	12.8	15.2	92.5	20	15.5	12.8	45.4	11.1	74	17	18.5	6	25
	10	10	KM15-06-10-3													18.5
8	10	10	KM15-08-10-3	15.2	18.5	105	22.5	19	15.2	52.6	12.8	85	18.5	21	7.5	41

## Dimensions: KM16



Applicable tubing O.D. (mm)		Model	øD1	øD2	L1	L2	L3	L4	P	Q1	Q2	M1	M2	Port B Min. port size	Weight (g)
a	b														
4	4	KM16-04-04-3	12.8	12.8	68	20.9	16	11	14.5	50	10.5	16	16	3	18
4	6	KM16-04-06-3										17	16	4.5	16
6	6	KM16-06-06-3										17	17	4.5	15