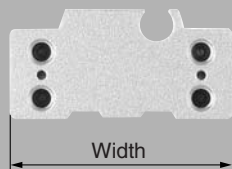
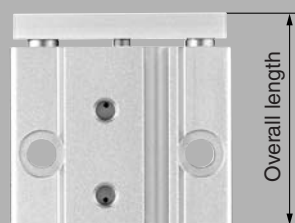


Miniature Guide Rod Cylinder

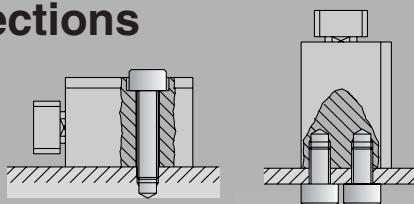
Series MGJ



Non-rotating. $\pm 0.1^\circ$ accuracy



- Mounting from 2 directions



- Two auto switches can be mounted even for 5 mm strokes
- Integral wiring/piping to one direction



- MGJ
- MGP
- MGQ
- MGG
- MGC
- MGF
- MGZ
- MGT

Dimensions

Bore size	Overall length	Width	Height
6	23 + Stroke	29	14.5
10	25 + Stroke	33	17

Unit: mm

Mass

Bore size (mm)	Standard stroke (mm)			
	5	10	15	20
6	27.3	33.0	38.4	—
10	40.6	48.0	55.6	63.2

Unit: g

Series Variations

Series	Bore size (mm)	Guide rod size (mm)	Standard stroke (mm)				Cushion	Auto switch
			5	10	15	20		
MGJ	6	5	●	●	●	—	Rubber bumper (Both sides)	D-F8 <input type="checkbox"/>
	10	6	●	●	●	●		

- D-
- X
- Individual -X

Miniature Guide Rod Cylinder

Series MGJ

ø6, ø10

How to Order

Miniature Guide Rod Cylinder

Miniature Guide Rod Cylinder

MGJ **6** - **10** - **F8N** **□**

Bore size

6	6 mm
10	10 mm

Cylinder stroke (mm)

Refer to the following table ① and ②.

Number of auto switches

Nil	2 pcs.
S	1 pc.

Auto switch type

Nil	Without auto switch (Built-in magnet)
-----	---------------------------------------

* Select the applicable auto switch from the table below.

Table ① Standard Strokes

Bore size (mm)	Standard stroke (mm)
6	5, 10, 15
10	5, 10, 15, 20

Table ② Intermediate Stroke (by the 1 mm stroke)

Bore size (mm)	Applicable stroke (mm)
6	1 to 15 (Spacer type)
10	1 to 20 (Spacer type)
Example	Model no.: MGJ6-9 Installing a 1 mm width spacer for MGJ6-10 External size: same as MGJ6-10

* The minimum auto switch mounting stroke with 2 auto switches is 4 mm.

Applicable Auto Switches/Refer to pages 1719 to 1827 for detailed auto switch specifications.

Type	Special function	Electrical entry	Indicator light	Wiring (output)	Load voltage		Auto switch part no.			Applicable load		
					DC	Direct mounting	Lead wire length (m)					
							0.5 (Nil)	3 (L)	5 (Z)			
Solid state switch	-	Grommet (Perpendicular)	Yes	3-wire (NPN)	24 V	5 V 12 V	F8N	●	●	○	IC circuit	Relay PLC
				3-wire (PNP)			F8P	●	●	○		
				2-wire		12 V	F8B	●	●	○	-	

* Lead wire length symbols: 0.5 m Nil (Example) F8N
3 m L (Example) F8NL
5 m Z (Example) F8NZ

* Auto switches marked with ○ are produced upon receipt of order.
* When using non-applicable auto switches, please consult with SMC.
* Auto switch is shipped together (not assembled).



⚠ Caution

This product should not be used as a stopper.

Specifications

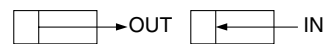
Bore size (mm)	6	10
Action	Double acting	
Fluid	Air	
Proof pressure	1.05 MPa	
Maximum operating pressure	0.7 MPa	
Minimum operating pressure	0.15 MPa	
Ambient and fluid temperature	-10 to 60°C (No freezing)	
Cushion	Rubber bumper at both ends	
Lubrication	Non-lube	
Piston speed	50 to 500 mm/s ^{Note)}	
Stroke length tolerance	+1.0 mm 0	
Port size	M3 x 0.5	
Guide size	ø5	ø6

Note) Within allowable kinetic energy use only

Theoretical Output

Unit: N

Bore size (mm)	Rod size (mm)	Operating direction	Piston area (mm ²)	Operating pressure (MPa)			
				0.15	0.3	0.5	0.7
6	3	OUT	28.3	4.24	8.48	14.15	19.81
		IN	21.2	3.18	6.36	10.60	14.84
10	5	OUT	78.5	11.77	23.55	39.25	54.95
		IN	58.9	8.83	17.67	29.45	41.23



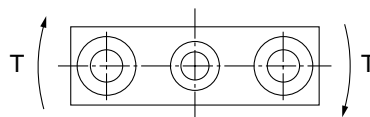
Mass

Unit: g

Bore size (mm)	Standard stroke (mm)			
	5	10	15	20
6	27.3	33.0	38.4	—
10	40.6	48.0	55.6	63.2

Allowable Rotational Torque of Plate

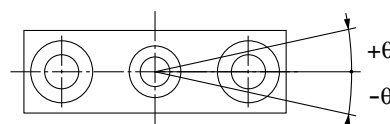
For the rotational torque (T) added to the plate (rod end), use a value no more than the values in the table. Operation outside of this range may cause excessive impact, which may result in the damage to the devices.



Unit: cN·m

Bore size (mm)	Stroke (mm)			
	5	10	15	20
6	0.92	0.73	0.61	—
10	4.75	3.96	3.36	2.87

Plate Non-rotating Accuracy



Bore size (mm)	Non-rotating accuracy θ
6	$\pm 0.1^\circ$
10	

* When extending the cylinder (initial value), non-rotating accuracy θ , without loads and deflection of guide rods, it should be a value no more than the value in the table as a guide.

MGJ

MGP

MGQ

MGG

MGC

MGF

MGZ

MGT

D-□

-X□

Individual
-X□

Allowable Kinetic Energy

When driving the cylinder with inertial load, keep kinetic energy no more than the allowable value. The area between bold lines in the below graphic shows the relation between load mass and maximum speed.

Bore size (mm)	6	10
Operating piston speed (m/s)	0.05 to 0.5	
Allowable kinetic energy (J)	0.012	0.035

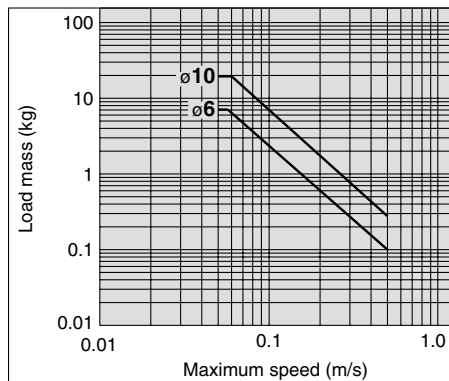
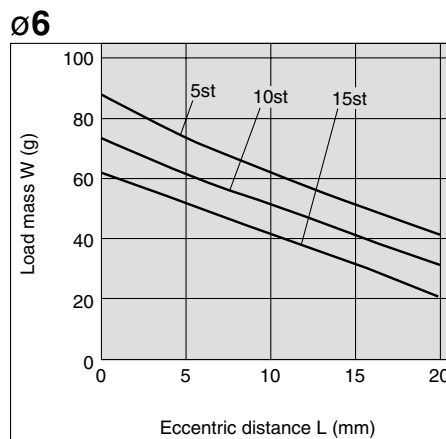
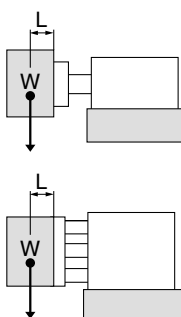


Plate Allowable Lateral Load

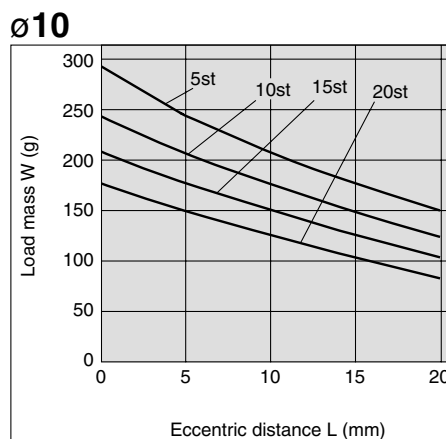
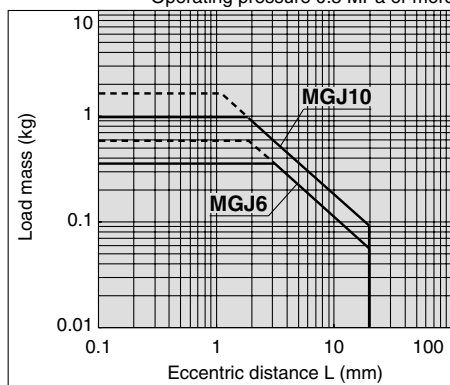
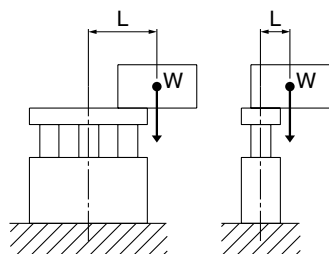
When the eccentric distance (L) generates from the plate (rod end), be sure to keep the load mass (W) no more than a value in the below graphic. Operation outside of this range may cause excessive impact, which may result in the damage to the devices.



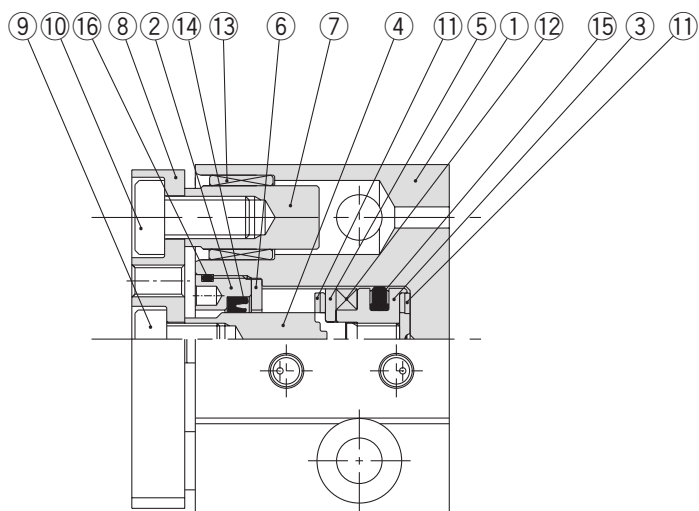
Allowable Eccentric Load

Make sure that the load mass (W) is within the range in the graph below when there is an eccentric distance (L) from the center of the cylinder. Using cylinders are beyond the limit may shorten the product service life or cause damage.

— Operating pressure 0.3 MPa
 - - - Operating pressure 0.5 MPa or more



Construction

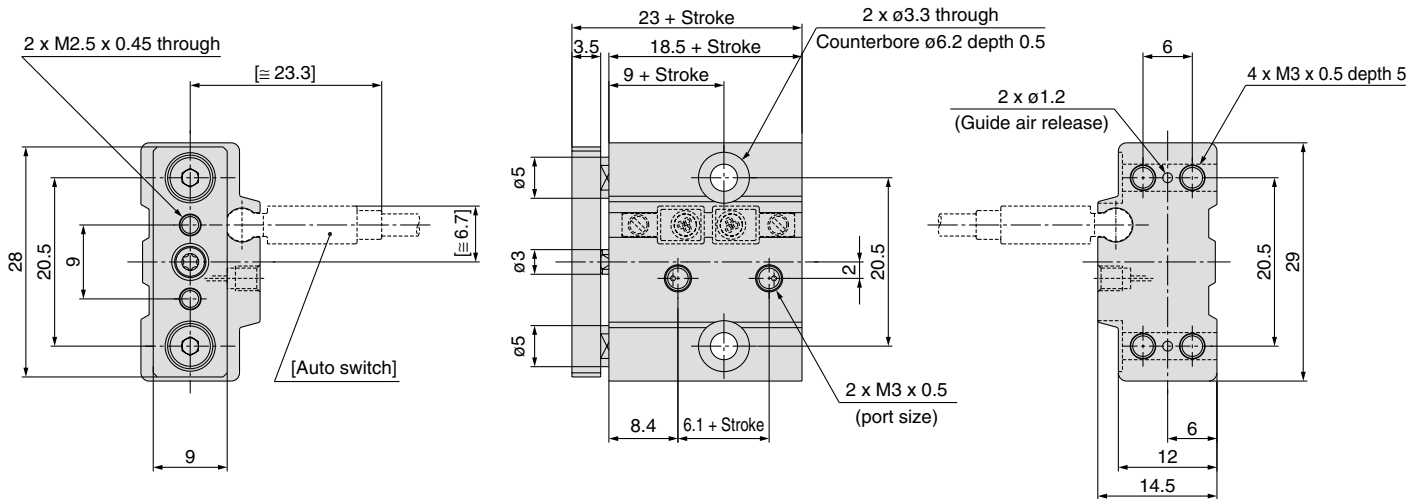


Parts list

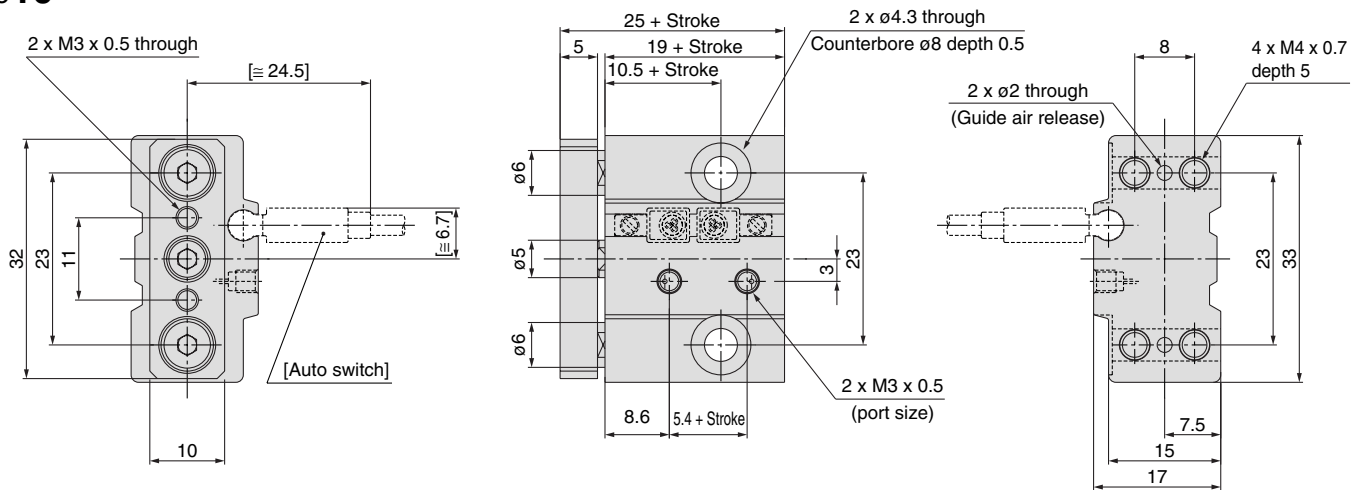
No.	Description	Material	Note
1	Body	Aluminum alloy	Hard anodized
2	Rod cover	Aluminum alloy	Chromated
3	Piston	Aluminum alloy	Chromated
4	Piston rod	Stainless steel	
5	Magnet retainer	Aluminum alloy	Chromated, in case of ø6
		Stainless steel	In case of ø10
6	Seal retainer	Aluminum alloy	Chromated, in case of ø6
		Stainless steel	In case of ø10
7	Guide rod	Carbon steel	Hard chromium electroplated
8	Plate	Aluminum alloy	Hard anodized
9	Torque socket head bolt	Carbon steel	Nickel plated, in case of ø6
	Hexagon socket head cap screw	Carbon steel	Nickel plated, in case of ø10
10	Brazier head hexagon socket bolt	Carbon steel	Nickel plated
11	Bumper	Resin	
12	Magnet	—	
13	Bushing	Special friction resistant material	
14	Rod seal	NBR	
15	Piston seal	NBR	
16	O-ring	NBR	

Dimensions

ø6



ø10



* For intermediate strokes other than standard strokes, refer to the Manufacture of Intermediate Stroke on page 256.

MGJ

MGP

MGQ

MGG

MGC

MGF

MGZ

MGT

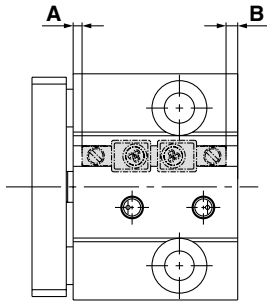
D-□

-X□

**Individual
-X□**

Series MGJ

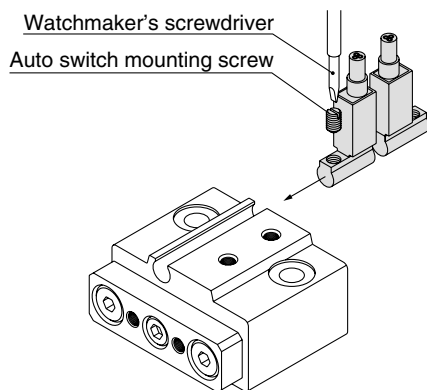
Auto Switch Proper Mounting Position (Detection at Stroke End)



Bore size	A	B	Operating range
ø6	1.6	0.9	3
ø10	1.3	1.7	4

(mm)

Auto Switch Mounting



- Use a watchmaker's screwdriver with a handle about 5 to 6 mm in diameter when tightening the auto switch mounting screw.
- Tightening torque of auto switch mounting screw should be set 0.10 to 0.20 N·m.



Series MGJ Specific Product Precautions

Be sure to read before handling.

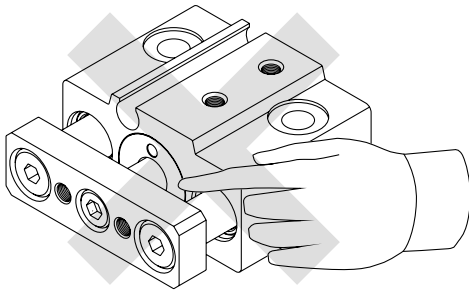
Refer to front matters 42 and 43 for Safety Instructions and pages 3 to 11 for Actuator and Auto Switch Precautions.

Mounting

Warning

1. Do not put hands or fingers, etc. between the plate and body.

Care should be taken that hands or fingers do not get caught in between the cylinder body and the plate when air pressure is applied.



Caution

1. Do not scratch or dent the sliding parts of the piston rod and guide rods.

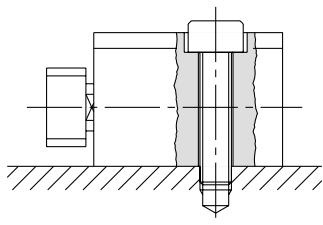
Damage to seals can cause air leakage or malfunction, etc.

2. When mounting the miniature guide rod cylinder with screws, do not exceed the maximum tightening torque.

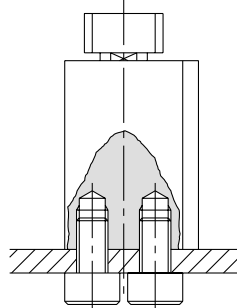
(The torque may vary depending on the material of the mounting side.)

Model	Bolt	Maximum tightening torque (N·m)	
		Top mounting	Bottom mounting
MGJ6	M3 x 0.5	1.2	0.3
MGJ10	M4 x 0.7	2.7	0.7

Top mounting



Bottom mounting



Mounting

Caution

3. Flatness of mounting surface should be less than 0.02 mm.

When mounting Miniature Guide Rod Cylinder, or mounting plate to work piece, sideling mounting surface may cause malfunction.

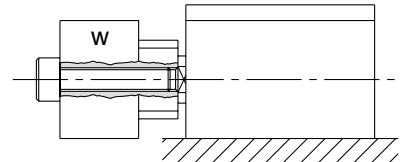
4. Be sure that the piston rod is extended before mounting loads.

If loads are mounted to the plate when the piston rods are retracted, it can lead to distortion of the guides resulting in malfunction.

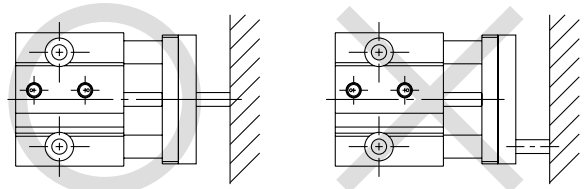
5. When mounting the load with screws, do not exceed the maximum tightening torque.

(The torque may vary depending on the material of the load.)

Model	Bolt	Maximum tightening torque (N·m)
MGJ6	M2.5 x 0.45	0.5
MGJ10	M3 x 0.5	1.0



6. When the cylinder output is directly applied to the moving parts of the cylinder, such as when clamping a workpiece, be sure to apply the cylinder output to the center of the cylinder (along the rod axial line).



Others

Caution

1. This product should not be used as a stopper.

MGJ

MGP

MGQ

MGG

MGC

MGF

MGZ

MGT

D-□

-X□

Individual
-X□