

Rotary Table/Vane Style

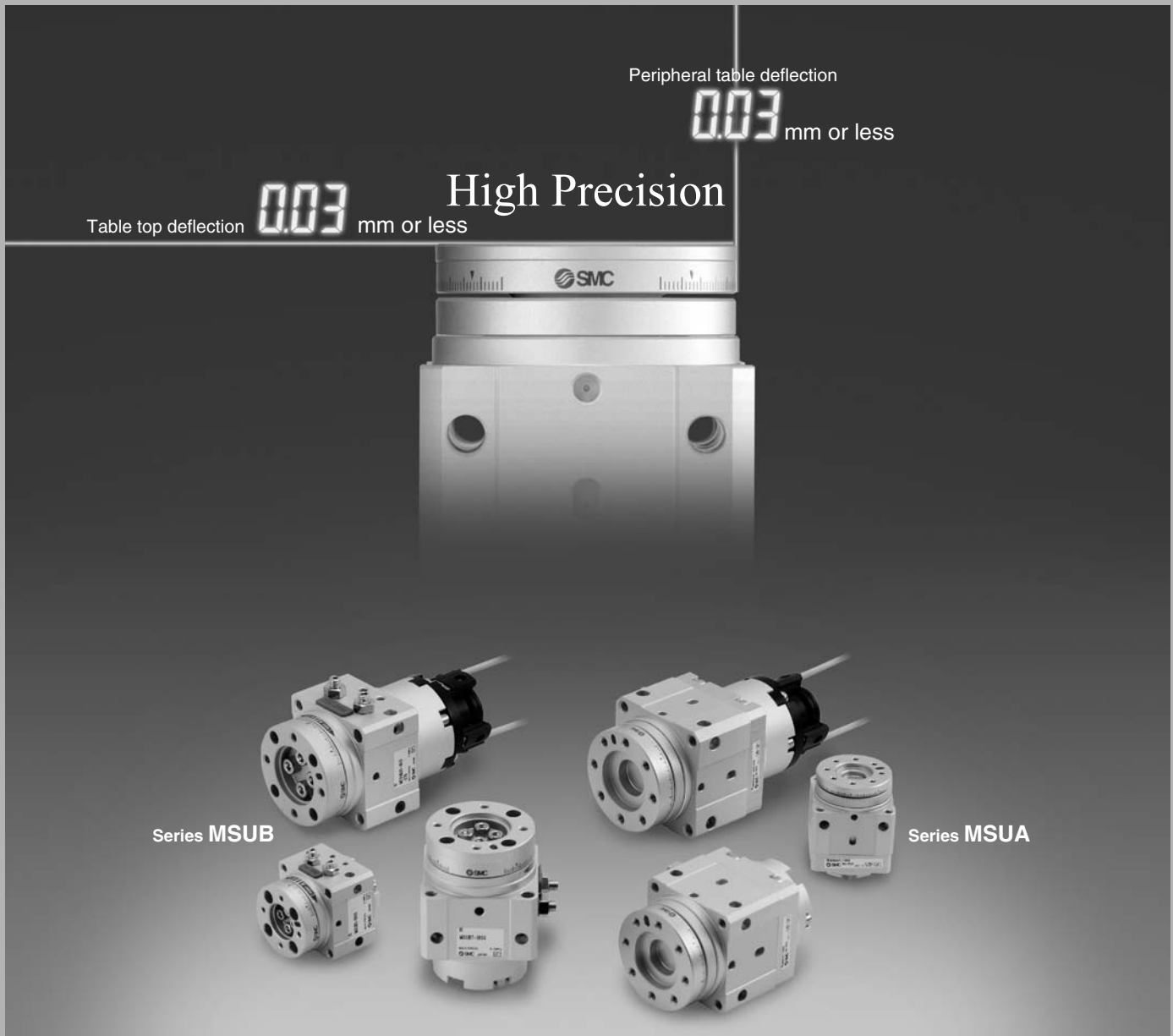
Series MSU

Size: 1, 3, 7, 20

Peripheral table deflection
0.03 mm or less

Table top deflection
0.03 mm or less

High Precision



Series MSUB

Series MSUA

CRB2

CRBU2

CRB1

MSU

CRJ

CRA1

CRQ2

MSQ

MSZ

CRQ2X

MSQX

MRQ

D-□

Rotary actuator with lightweight,

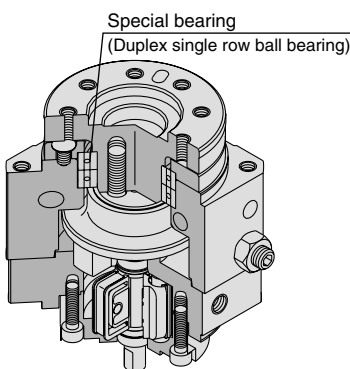


High precision type
Size: 1, 3, 7, 20

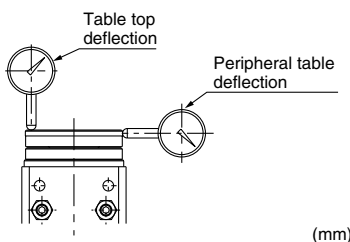
Series MSUA

Improved table deflection accuracy:
0.03 mm or less

High precision/High rigidity



Deflection accuracy: Displacement for 180° rotation



Model	MSUA
Table top deflection	0.03 (0.1 to 0.2)
Peripheral table deflection	0.03 (0.1 to 0.2)

Values inside () are for Series MSUB

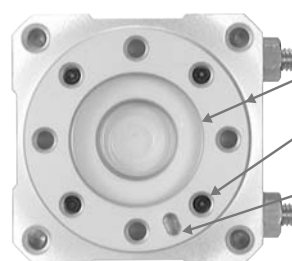
Disengageable

Maintenance work is simplified.
The drive unit can be replaced with the load mounted.



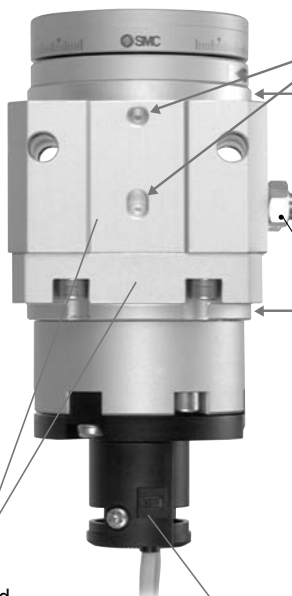
Table unit

Drive unit



Easy alignment when mounting the load

- Table inside/outside diameter tolerance H9/h9
- Female threads for load mounting provided in eight places. (Increases freedom in mounting the load)
- Mounting reference pin holes

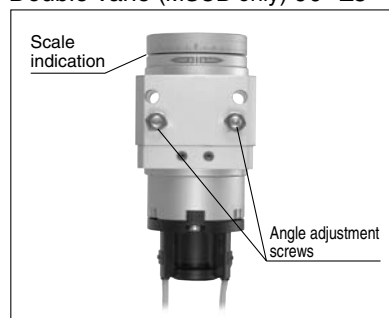


Easy alignment when mounting the body

- Mounting reference pin holes (Alignment with center of body) Provided on three sides, excluding port side
- Reference diameter h9 (Alignment with center of table rotation)

Angle adjustable

90° ±10°, 180° ±10°
Double vane (MSUB only) 90° ±5°



Auto switch capable

Since switches can be moved anywhere on the circumference, they can be mounted at positions which accommodate the specifications.

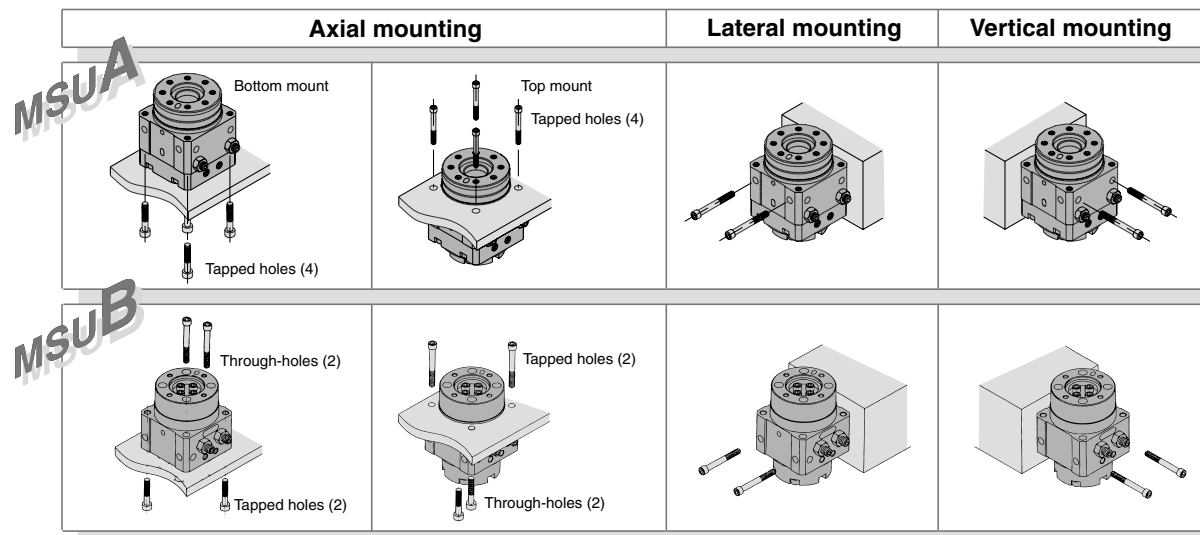
Table MSU

Size: 1, 3, 7, 20

compact table for robotic hands

Free mount type

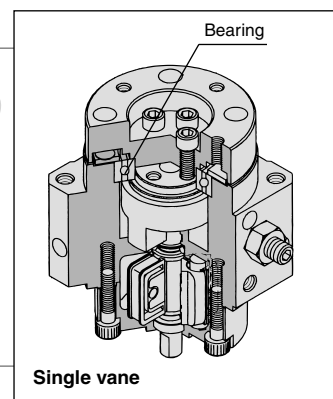
Can be mounted from three directions: axial, lateral, vertical



Basic type *Series MSUB*

Size: 1, 3, 7, 20

- Single vane and double vane standardized
- Double vane has the same dimensions as single vane (Except size 1)



Series Variations

Series	Size	Rotating angle	Vane type	Applicable auto switch
High precision type MSUA	1	90°	Single vane	D-9, D-T99 D-9□A, D-S99, S9P
	3			
	7	180°		D-R73, D-T79 D-R80, D-S79, S7P
	20			
Basic type MSUB	1	90°	Single vane	D-9, D-T99 D-9□A, D-S99, S9P
	3			
	7	180°	Double vane *	D-R73, D-T79 D-R80, D-S79, S7P
	20			

* Double vane is available with 90° rotation setting only.

- CRB2
- CRBU2
- CRB1
- MSU**
- CRJ
- CRA1
- CRQ2
- MSQ
- MSZ
- CRQ2X
- MSQX
- MRQ

D-□

Rotary Table: High Precision Type Vane Style

Series MSUA

Size: 1, 3, 7, 20



How to Order

Without auto switch
MSUA 20 - 90 S

With auto switch
M D SUA 20 - 90 S - T79 L

Bearing type
A High precision type

Free mount type
A High precision type

Connection port location
Nil Side ported
E Axial ported
Available with side ported only, when equipped with auto switch unit.

Nominal size (Torque)

1	MSUA 1
3	MSUA 3
7	MSUA 7
20	MSUA20

Rotating angle

Applicable	Symbol	Rotating angle
Single vane	90	90°
	180	180°

Rotation adjustment range
Single vane: Both ends ±5° each

Vane type
S Single vane

Number of auto switches

S	1 pc. *
Nil	2 pcs. **

* S (1 auto switch) is shipped with a right-hand auto switch.
** Nil (2 auto switches) is shipped with a right-hand and a left-hand switch.

Electrical entry/Lead wire length

Nil	Grommet/Lead wire: 0.5 m
L	Grommet/Lead wire: 3 m
C	Connector/Lead wire: 0.5 m
CL	Connector/Lead wire: 3 m
CN	Connector/Without lead wire

* Available only with R73, R80 and T79 type connectors.
** Lead wire with connector part nos.
D-LC05: Lead wire 0.5 m
D-LC30: Lead wire 3 m
D-LC50: Lead wire 5 m

Auto switch
Nil Without auto switch (built-in magnet)

*Refer to the table below for the applicable auto switch model.

Applicable Auto Switch/Refer to pages 761 to 809 for further information on auto switches.

Applicable model	Type	Special function	Electrical entry	Indicator light	Wiring (Output)	Load voltage		Auto switch model		Lead wire type	Lead wire length (m) *				Pre-wired connector	Applicable load		
						DC	AC	Perpendicular	In-line		0.5 (Nil)	3 (L)	5 (Z)	None (N)		IC circuit	Relay, PLC	
																		24 V
MDSUA1 MDSUA3	Solid state switch	—	Grommet	Yes	3-wire (NPN)	5 V, 12 V	—	S99V	S99	Heavy-duty cord	●	●	—	—	○	IC circuit	Relay, PLC	
					3-wire (PNP)			S9PV	S9P		●	●	—	—	○			
	Reed switch	—	Grommet	No	2-wire	24 V	5 V, 12 V	5 V, 12 V, 24 V	—	90	Parallel cord	●	●	●	—	—	—	
									5 V, 12 V, 100 V	5 V, 12 V, 24 V, 100 V		—	90A	●	●			●
MDSUA7 MDSUA20	Solid state switch	—	Grommet	Yes	3-wire (NPN)	5 V, 12 V	—	—	S79	Heavy-duty cord	●	●	—	—	○	IC circuit	Relay, PLC	
					3-wire (PNP)			—	S7P		●	●	—	—	○			
					—			—	T79		●	●	—	—	○			
	Reed switch	—	Grommet	No	2-wire	24 V	100 V	—	—	T79C	Heavy-duty cord	●	●	●	●	—	—	
									—	R73		●	●	—	—			—
									—	R73C		●	●	●	●			
Grommet	—	Connector	No	2-wire	24 V	100 V	—	—	R80	Heavy-duty cord	●	●	—	—	—	IC circuit		
								—	R80C		●	●	●	●				

* Lead wire length symbols: 0.5 m Nil (Example) R73C
3 m L (Example) R73CL
5 m Z (Example) R73CZ
None N (Example) R73CN

* Auto switches are shipped together (but not assembled).

* Auto switches marked with "O" are made-to-order specifications.

Order example: MSUA20 single vane type (connection port side location selected)

- Standard type (Without auto switches), Rotation 90°, side port location
MSUA20-90S
- With auto switch unit (Without auto switches), Rotation 180°, side port location
MDSUA20-180S
- With auto switch unit + Auto switch R73, Rotation 180°, Side port location
MDSUA20-180S-R73

Refer to pages 796 and 797 for detailed solid state auto switches with pre-wired connectors.

Specifications

Model ^{*2}		MSUA1		MSUA3		MSUA7		MSUA20	
Vane type		Single vane							
Rotating angle ^{*1}		90° ± 10°	180° ± 10°	90° ± 10°	180° ± 10°	90° ± 10°	180° ± 10°	90° ± 10°	180° ± 10°
Fluid		Air (Non-lube)							
Proof pressure (MPa)		1.05						1.5	
Ambient and fluid temperature		5 to 60°C							
Operating pressure range (MPa)		0.2 to 0.7		0.15 to 0.7			0.15 to 1.0		
Rotation time adjustment range (s/90°)		0.07 to 0.3 (0.5 MPa)							
Shaft load	Allowable radial load	20 N		40 N		50 N		60 N	
	Allowable thrust load	15 N		30 N		60 N		80 N	
	Allowable moment	0.3 N·m		0.7 N·m		0.9 N·m		2.9 N·m	
Bearing		Special bearing							
Port location		Side ported or Top ported							
Port size	Side ported	M3 x 0.5			M5 x 0.8				
	Top ported	M3 x 0.5				M5 x 0.8			
Deflection accuracy		0.03 mm or less							

*1 Single vane 90° can be adjusted to 90° ± 10° (both ends of rotation ± 5° each)
Single vane 180° can be adjusted to 180° ± 10° (both ends of rotation ± 5° each)
Note) Refer to page 33 for allowable kinetic energy.

* 2 Correspondence to equivalent conventional free-mount types

Rotary table	Free-mount rotary actuator
MSUA 1	CRBU2W10
MSUA 3	CRBU2W15
MSUA 7	CRBU2W20
MSUA20	CRBU2W30

JIS Symbol

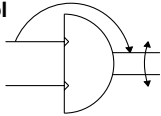
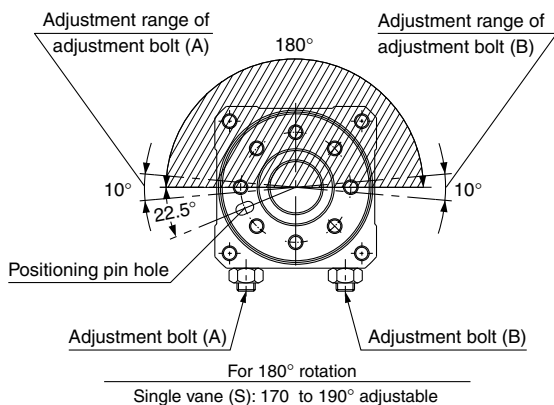
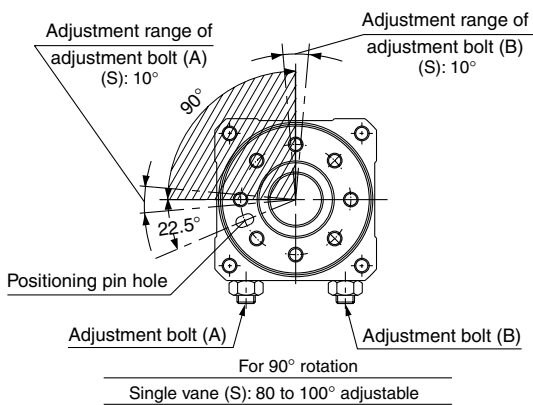


Table Rotation Range

Angle adjustment is possible as shown in the drawings below using adjustment bolts (A) and (B).



Mass

(g)

Size	Rotating angle	Basic mass		Auto switch unit + Auto switch 2 pcs.
		Single vane		
1	90°	162		25
	180°	161		
3	90°	262		30
	180°	260		
7	90°	440		50
	180°	436		
20	90°	675		60
	180°	671		

Allowable Load

Do not permit the load and moment applied to the table to exceed the allowable values shown in the table below. (Operation above the allowable values can cause adverse effects on service life, such as play in the table and loss of accuracy.)

Size	Allowable radial load (N)	Allowable thrust load (N)	Allowable moment (N·m)
1	20	15	0.3
3	40	30	0.7
7	50	60	0.9
20	60	80	2.9

CRB2

CRBU2

CRB1

MSU

CRJ

CRA1

CRQ2

MSQ

MSZ

CRQ2X
MSQX

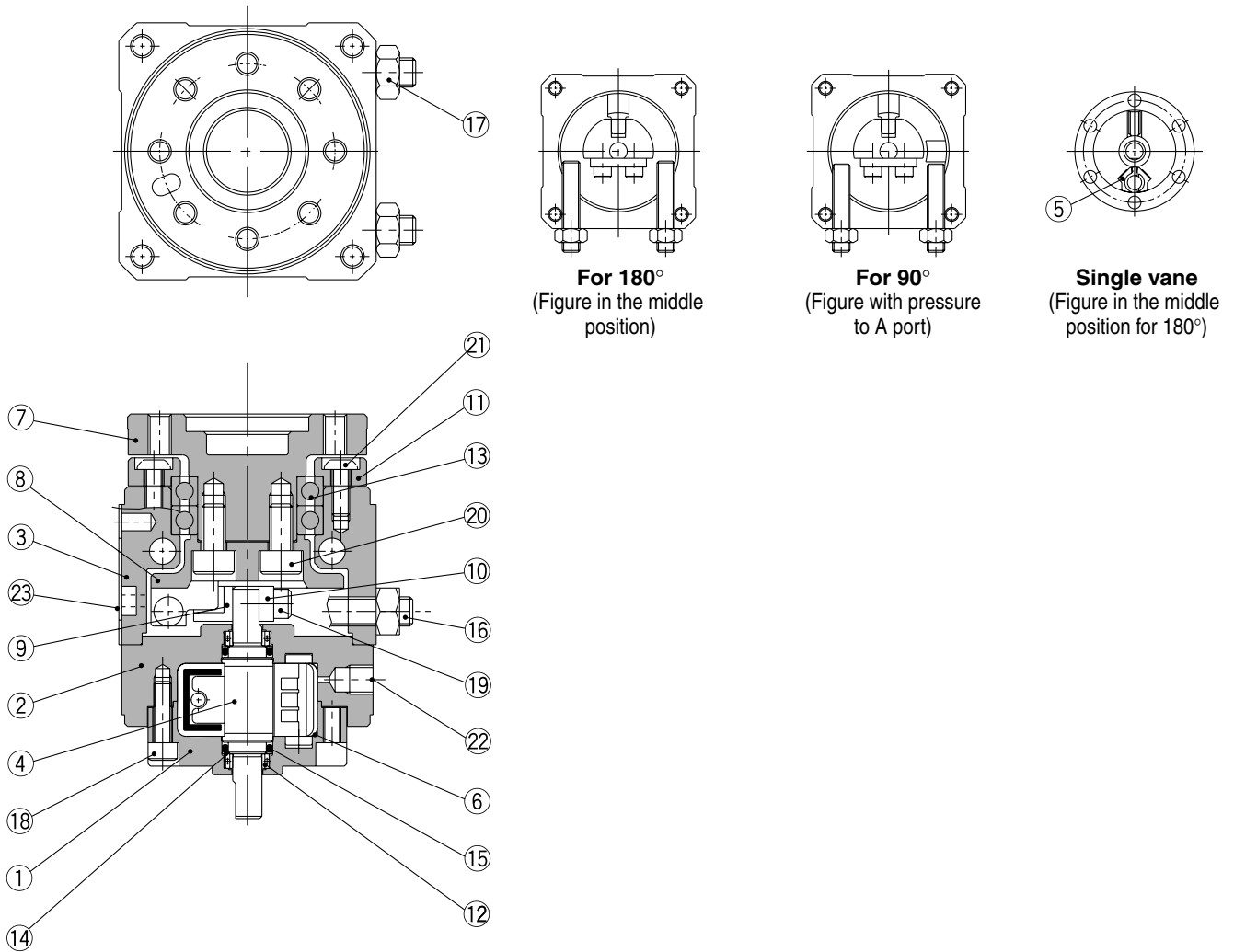
MRQ

D-□

Series MSUA

Construction

Internal Construction of Rotary Table



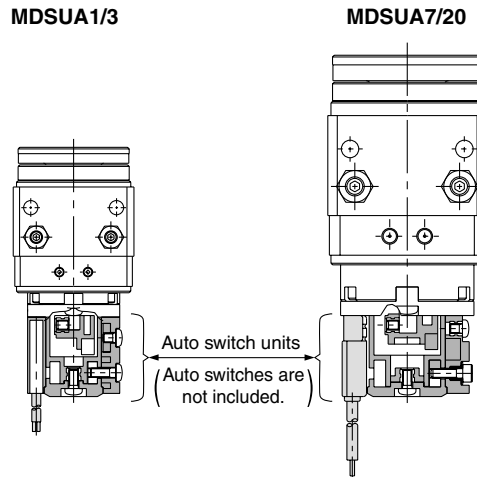
Component Parts

No.	Description	Material	Note
1	Body A	Aluminum alloy	Anodized
2	Body B	Aluminum alloy	Anodized
3	Body C	Aluminum alloy	Anodized
4	Vane shaft	Stainless steel (MSUA20 is carbon steel)	Single vane
5	Stopper	Resin	Single vane
6	Stopper seal	NBR	
7	Table	Aluminum alloy	Anodized, Serigraph
8	Stopper lever	Carbon steel	Heat treated, Electroless nickel plated
9	Stopper guide	Stainless steel	Nitriding
10	Lever retainer	Carbon steel	Zync Chromated
11	Bearing retainer	Aluminum alloy	Anodized
12	Bearing	High carbon chrome bearing steel	
13	Special bearing	High carbon chrome bearing steel	
14	Back-up ring	Stainless steel	
15	O-ring	NBR	
16	With adjustment bolt	Carbon steel	Heat treated, Nickel plated
17	Hexagon nut	Carbon steel	Nickel plated
18	Hexagon socket head cap screw	Stainless steel	
19	Hexagon socket head cap screw	Stainless steel	
20	Hexagon socket head cap screw	Carbon steel	Nickel plated
21	Button bolt	Carbon steel	Nickel plated
22	Hexagon socket head cap screw	Stainless steel	SE type only
23	Label		

* The plug 22 is used only when the connection port is type SE.

Construction

Internal construction with auto switch



* Refer to page 55 for the component parts.

* The auto switch unit can be retrofitted on a rotary actuator.
Auto switches should be ordered separately since they are not included.

Model	Auto switch unit part no.
M(D)SUA 1	P211070-1
M(D)SUA 3	P211090-1
M(D)SUA 7	P211060-1
M(D)SUA20	P211080-1

Auto switch block unit			
MDSUA1/3		MDSUA7/20	
For reed auto switch		For solid state auto switch	Combination of reed and solid state auto switches
Right-handed	Left-handed	Combination left & right-handed	Combination left & right-handed
Part no.: P211070-8	Part no.: P211070-9	Part no.: P211070-13	Part no.: P211060-8

* The auto switch block unit is included in the auto switch unit.
* Auto switch block unit shows the necessary assembly for mounting 1 piece of auto switch to the auto switch unit.

CRB2

CRBU2

CRB1

MSU

CRJ

CRA1

CRQ2

MSQ

MSZ

CRQ2X
MSQX

MRQ

D-□

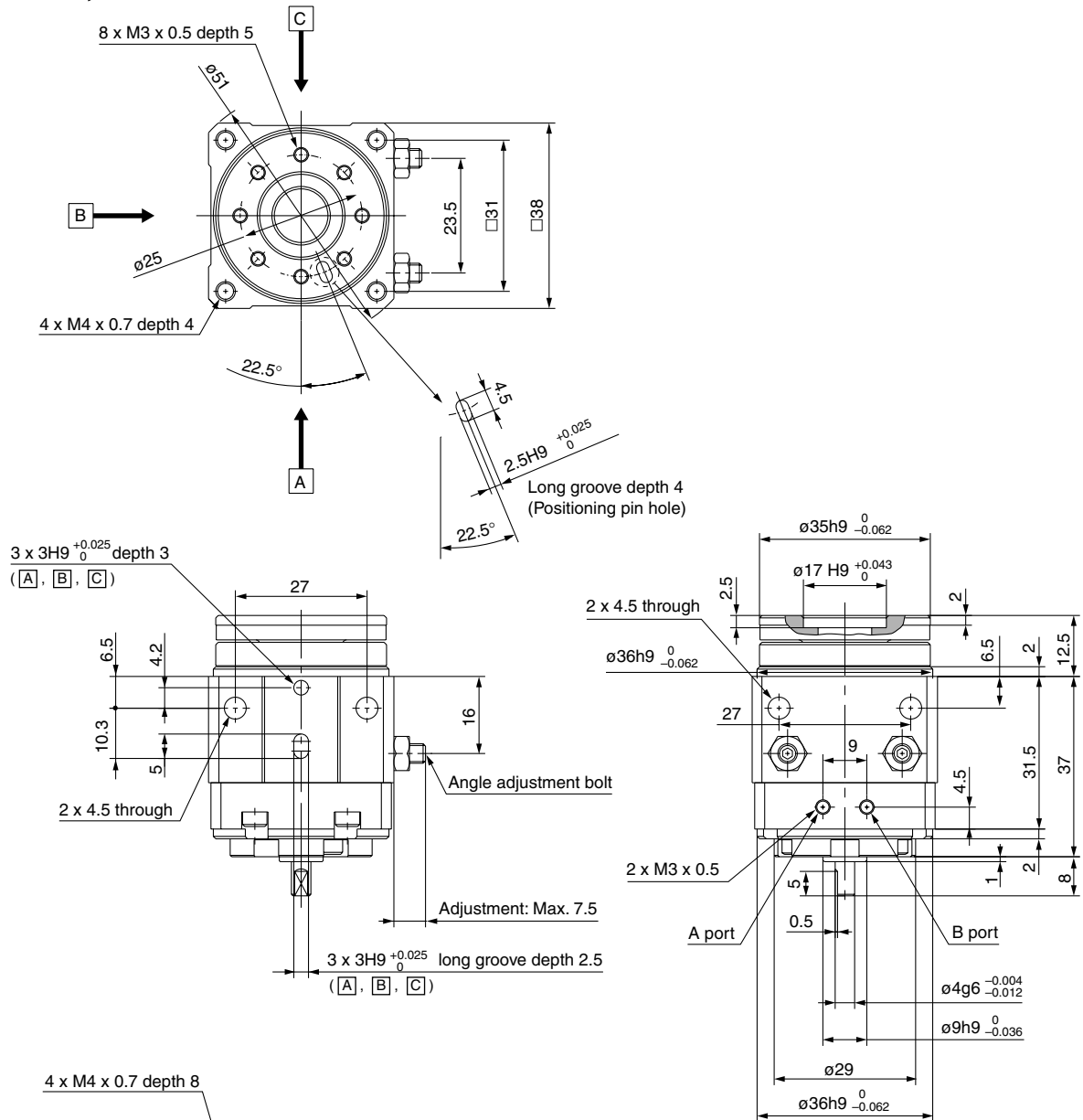
Series MSUA

Dimensions

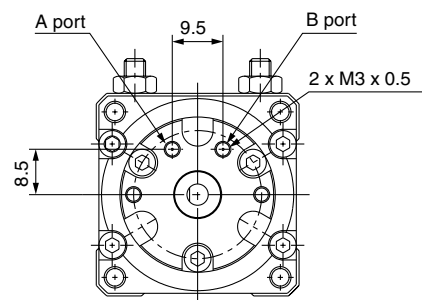
These drawings indicate the condition when the B port is pressurized.

MSUA1

MSUA1-□S,SE



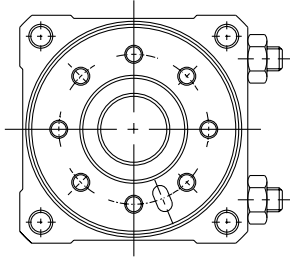
Top ported: MSUA1-□SE



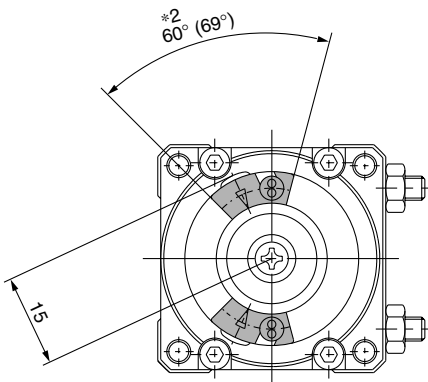
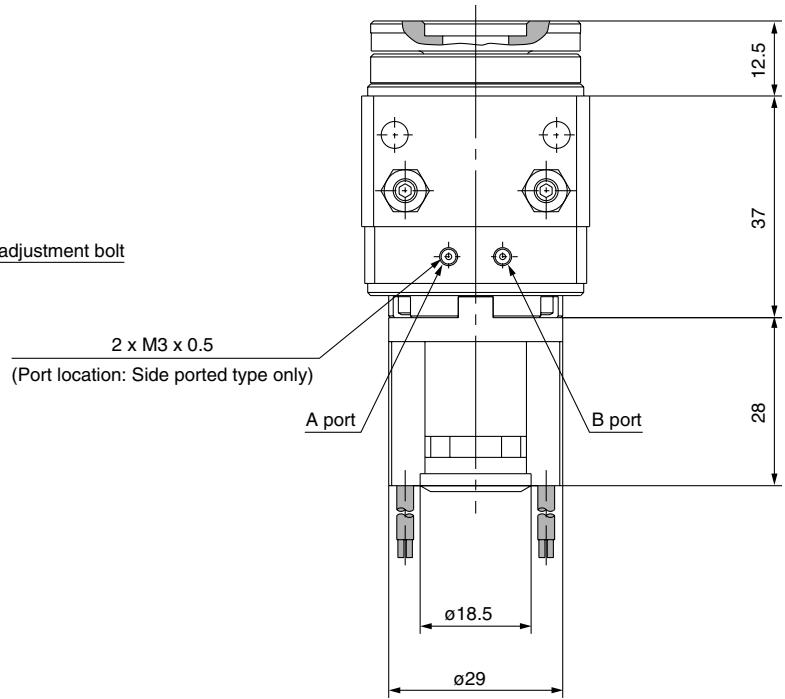
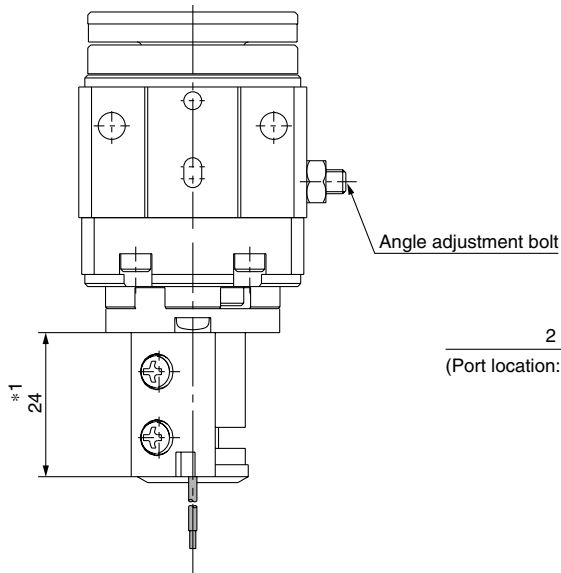
Rotary Table: High Precision Type Vane Style **Series MSUA**

These drawings indicate the condition when the B port is pressurized.

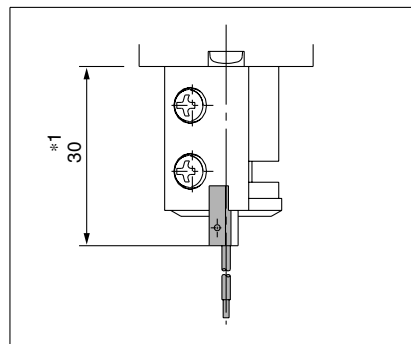
With auto switch: MDSUA1-□S



- *1) 24: When using D-90/90A/S99/S99V/S9P/S9PV/T99/T99V
30: When using D-97/93A
- *2) 60°: When using D-90/90A/97/93A
69°: When using D-S99/S99V/S9P/S9PV/T99/T99V



D-97/93A



CRB2

CRBU2

CRB1

MSU

CRJ

CRA1

CRQ2

MSQ

MSZ

CRQ2X
MSQX

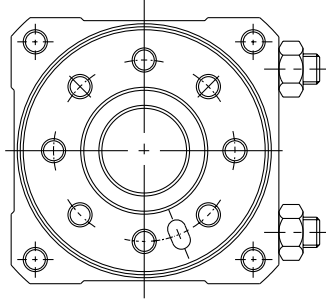
MRQ

D-□

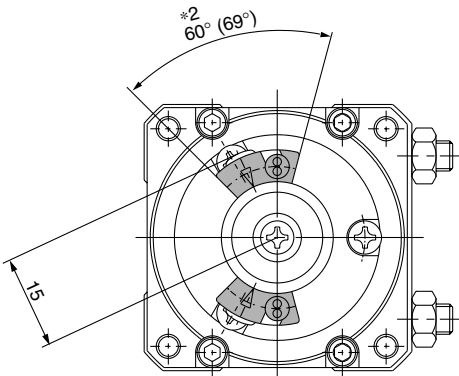
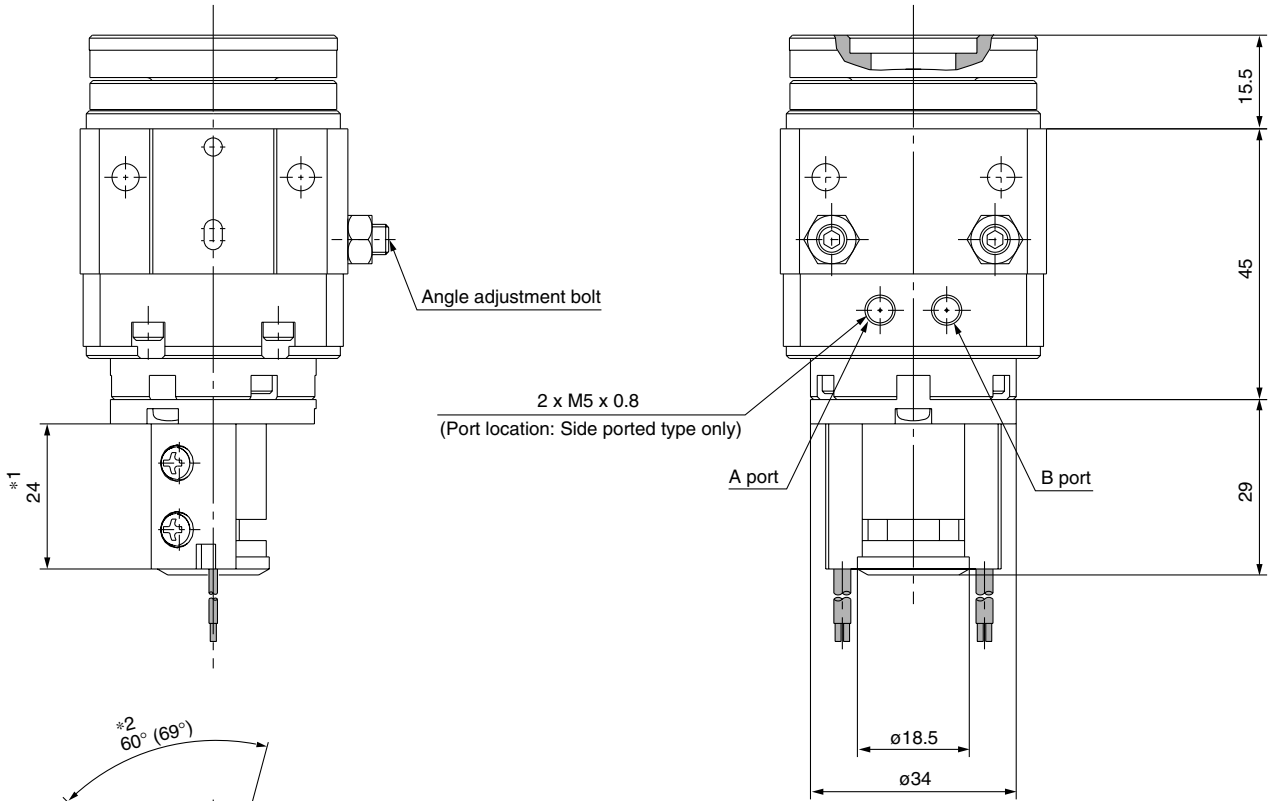
Rotary Table: High Precision Type Vane Style **Series MSUA**

These drawings indicate the condition when the B port is pressurized.

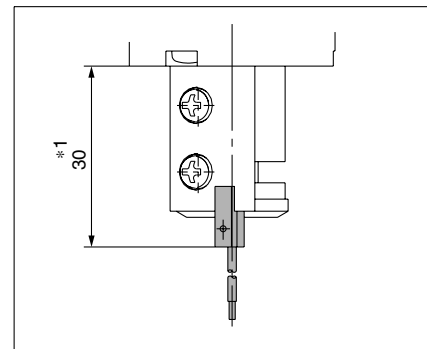
With auto switch: MDSUA3-□S



- * 1) 24: When using D-90/90A/S99/S99V/S9P/S9PV/T99/T99V
30: When using D-97/93A
- * 2) 60°: When using D-90/90A/97/93A
69°: When using D-S99/S99V/S9P/S9PV/T99/T99V



D-97/93A



CRB2

CRBU2

CRB1

MSU

CRJ

CRA1

CRQ2

MSQ

MSZ

CRQ2X

MSQX

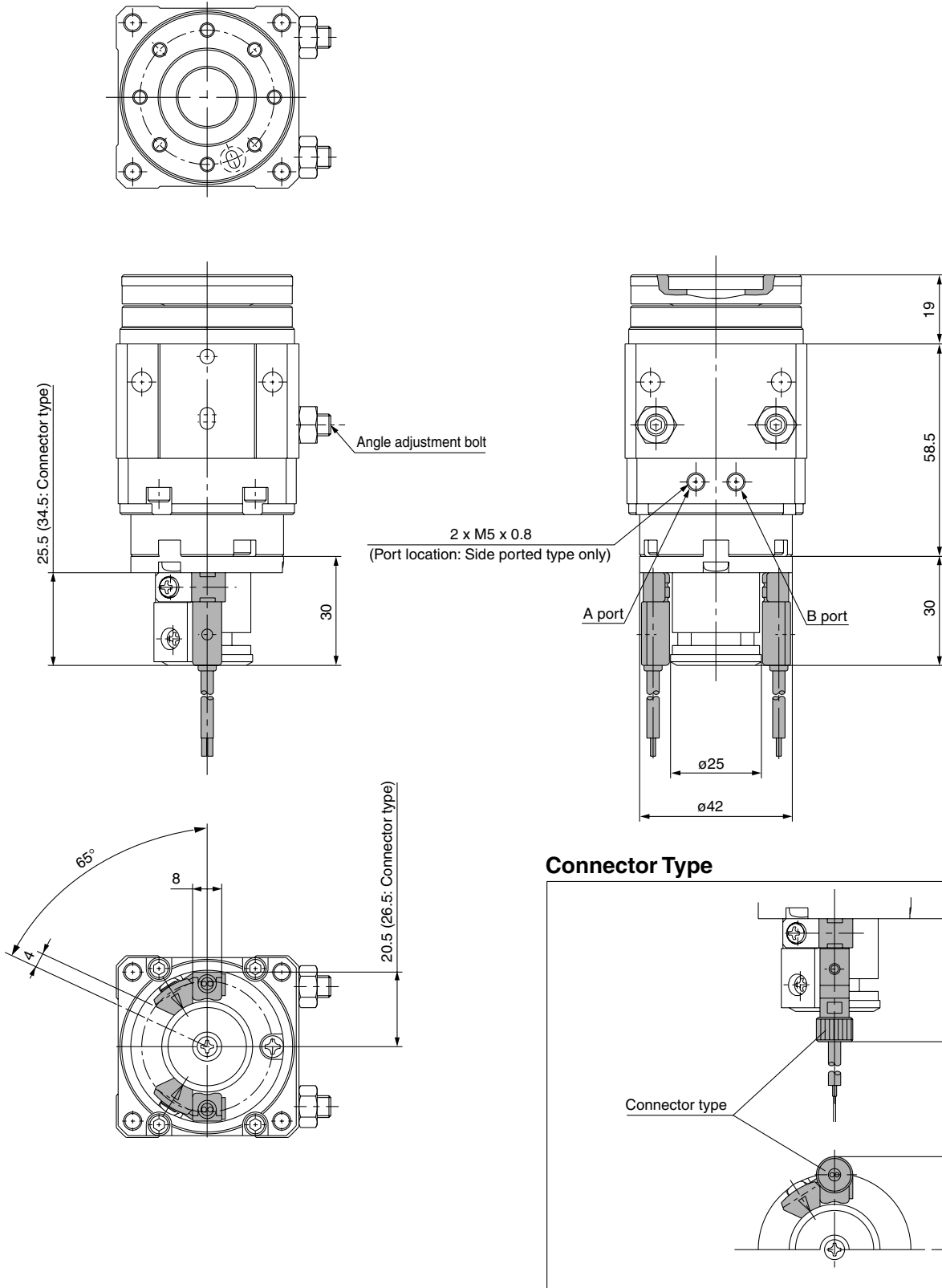
MRQ

D-□

Rotary Table: High Precision Type Vane Style **Series MSUA**

These drawings indicate the condition when the B port is pressurized.

With auto switch: MDSUA7-□S



- CRB2
- CRBU2
- CRB1
- MSU**
- CRJ
- CRA1
- CRQ2
- MSQ
- MSZ
- CRQ2X
- MSQX
- MRQ

D-□

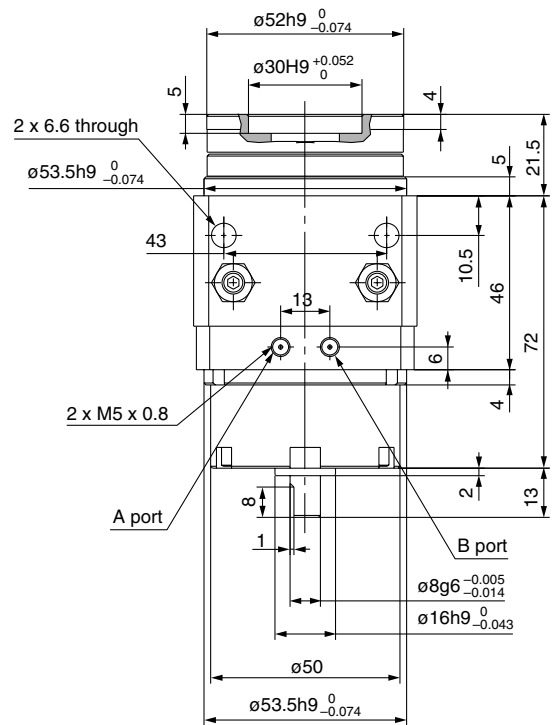
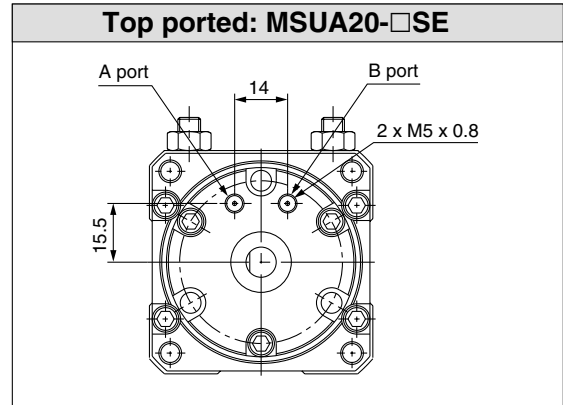
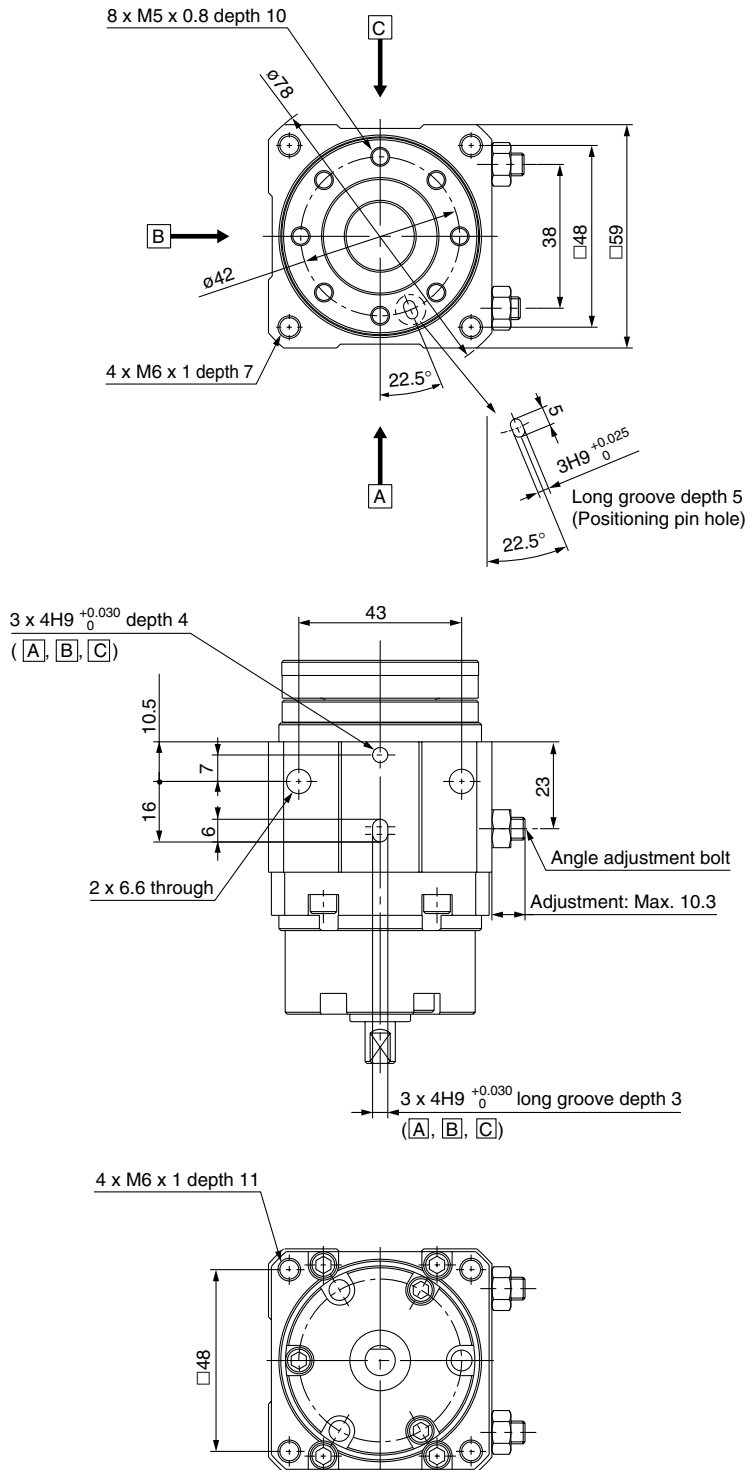
Series MSUA

Dimensions

These drawings indicate the condition when the B port is pressurized.

MSUA20

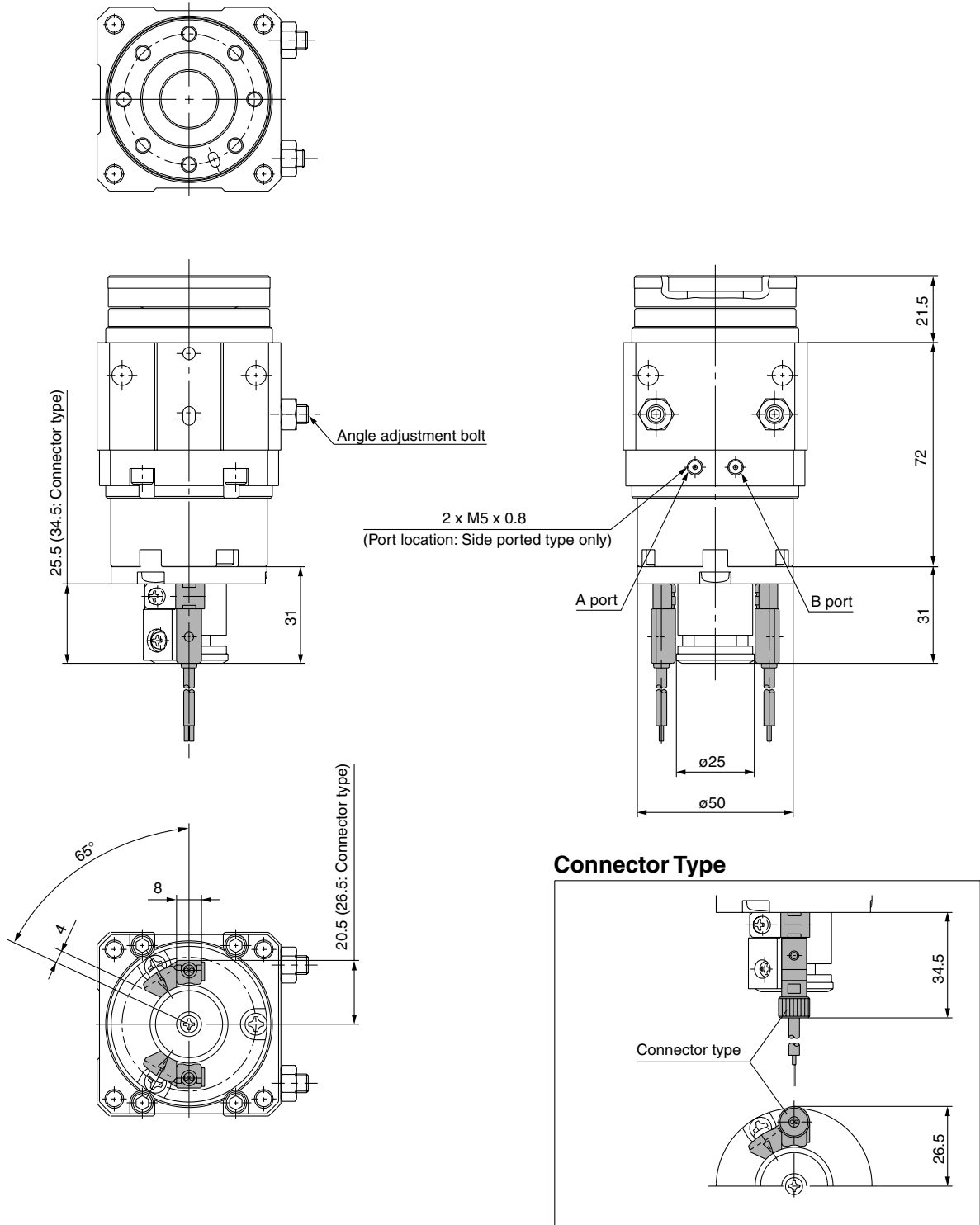
MSUA20-□S/SE



Rotary Table: High Precision Type Vane Style **Series MSUA**

These drawings indicate the condition when the B port is pressurized.

With auto switch: MDSUA20-□S



CRB2

CRBU2

CRB1

MSU

CRJ

CRA1

CRQ2

MSQ

MSZ

CRQ2X
MSQX

MRQ

D-□

Rotary Table: Basic Type Vane Style

Series *MSUB*

Size: 1, 3, 7, 20



How to Order

Bearing type

B	Basic type
---	------------

Connection port location

Nil	Side ported
E	Axial ported

 Available with side ported only, when equipped with auto switch unit.

Free mount type

Without auto switch
MSUB 20 - 90 S

With auto switch
M D SUB 20 - 90 S - T79 L

With auto switch (Built-in magnet)

Nominal size (Torque)

1	MSUB 1
3	MSUB 3
7	MSUB 7
20	MSUB20

Rotating angle

Application	Symbol	Rotating angle
Single vane	90	90°
	180	180°
Double vane	90	90°

Rotation adjustment range
 Single vane: Both ends ±5° each
 Double vane: Both ends ±2.5° each

Vane type

S	Single vane
D	Double vane

Number of auto switches

S	1 pc. *
Nil	2 pcs. **

* S (1 auto switch) is shipped with a right-hand auto switch.
 ** Nil (2 auto switches) is shipped with a right-hand and a left-hand switch.

Electrical entry/Lead wire length

Nil	Grommet/Lead wire: 0.5 m
L	Grommet/Lead wire: 3 m
C	Connector/Lead wire: 0.5 m
CL	Connector/Lead wire: 3 m
CN	Connector/Without lead wire

* Available only with R73, R80 and T79 type connectors.
 ** Lead wire with connector part nos.
 D-LC05: Lead wire 0.5 m
 D-LC30: Lead wire 3 m
 D-LC50: Lead wire 5 m

Auto switch

Nil	Without auto switch (built-in magnet)
-----	---------------------------------------

*Refer to the table below for the applicable auto switch model.

Applicable Auto Switch/Refer to pages 761 to 809 for further information on auto switches.

Applicable model	Type	Special function	Electrical entry	Indicator/light	Wiring (Output)	Load voltage		Auto switch model		Lead wire type	Lead wire length (m) *				Pre-wired connector	Applicable load		
						DC	AC	Perpendicular	In-line		0.5 (Nil)	3 (L)	5 (Z)	None (N)				
MDSUB1 MDSUB3	Solid state switch	—	Grommet	Yes	3-wire (NPN) 3-wire (PNP)	24 V	5V, 12V	—	S99V	S99	Heavy-duty cord	●	●	—	—	○	IC circuit	
									S9PV	S9P		●	●	—	—			
									T99V	T99		●	●	—	—			
	Reed switch	—	Grommet	No	2-wire	24 V	5 V, 12 V 5 V, 12 V, 24 V 100 V	5 V, 12 V, 24 V 5 V, 12 V, 24 V, 100 V	—	90	90	Parallel cord	●	●	●	—	—	IC circuit
										90A	90A		●	●	●	—		
										97	97		●	●	●	—		
MDSUB7 MDSUB20	Solid state switch	—	Grommet	Yes	3-wire (NPN) 3-wire (PNP)	24 V	5V, 12V	—	—	S79	Heavy-duty cord	●	●	—	—	○	IC circuit	
									—	S7P		●	●	—	—			
									—	T79		●	●	—	—			
	Reed switch	—	Connector	No	2-wire	24 V	—	100 V	—	T79C	—	Heavy-duty cord	●	●	●	●	—	Relay, PLC
										R73	—		●	●	—	—		
										R73C	—		●	●	●	●		
Reed switch	—	Grommet	No	2-wire	24 V	48V, 100V	100 V	—	R80	—	Heavy-duty cord	●	●	—	—	—	IC circuit	
									R80C	—		●	●	●	●			

* Lead wire length symbols: 0.5 m Nil (Example) R73C
 3 m L (Example) R73CL
 5 m Z (Example) R73CZ
 None N (Example) R73CN

* Auto switches are shipped together (but not assembled).

* Auto switches marked with "○" are made-to-order specifications.

Order example: MSUB20 single vane type (connection port side location selected)

- Standard type (Without auto switches), Rotation 90°, side port location MSUB20-90S
- With auto switch unit (Without auto switches), Rotation 180°, Side port location MDSUB20-180S
- With auto switch unit + Auto switch R73, Rotation 180°, Side port location MDSUB20-180S-R73

Refer to pages 796 to 797 for detailed solid state auto switches with pre-wired connectors.

Specifications

Model *3		MSUB1		MSUB3		MSUB7		MSUB20				
Vane type		Single vane		Double vane		Single vane		Double vane		Single vane		Double vane
Rotating angle *1		90° ± 10°		180° ± 10°		90° ± 5°		90° ± 10°		180° ± 10°		90° ± 5°
Fluid		Air (Non-lube)										
Proof pressure (MPa)		1.05						1.5				
Ambient and fluid temperature		5 to 60°C										
Operating pressure range (MPa)		0.2 to 0.7			0.15 to 0.7				0.15 to 1.0			
Rotation time adjustment range (s/90°)		0.07 to 0.3 (0.5 MPa)										
Shaft load	Allowable radial load	20 N		40 N		50 N		60 N				
	Allowable thrust load *2	15 N		30 N		60 N		80 N				
		10 N		15 N		30 N		40 N				
	Allowable moment	0.3 N·m		0.7 N·m		0.9 N·m		2.9 N·m				
Bearing		Bearing										
Port location		Side ported or Top ported										
Port size	Side ported	M3 x 0.5			M5 x 0.8				M5 x 0.8			
	Top ported	M3 x 0.5				M5 x 0.8						

*1 Single vane 90° can be adjusted to 90° ± 10° (both ends of rotation ± 5° each)
 Single vane 180° can be adjusted to 180° ± 10° (both ends of rotation ± 5° each)
 Double vane 90° type can be adjusted to 90° ± 5° (both ends of rotation ± 2.5° each)
 • Rotation angles other than 90° and 180° (single vane) are available by special order.
 *2 The allowable thrust load is directional. Refer to the allowable load table below for details.

*3 Correspondence to equivalent conventional free-mount types

Rotary table	Free-mount rotary actuator
MSUB 1	CRBU2W10
MSUB 3	CRBU2W15
MSUB 7	CRBU2W20
MSUB20	CRBU2W30

JIS Symbol

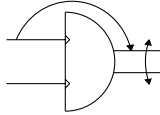
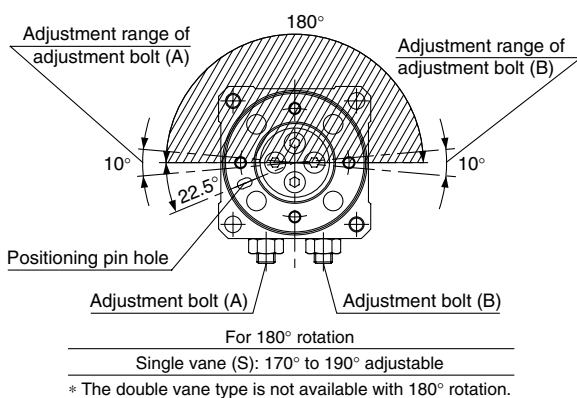
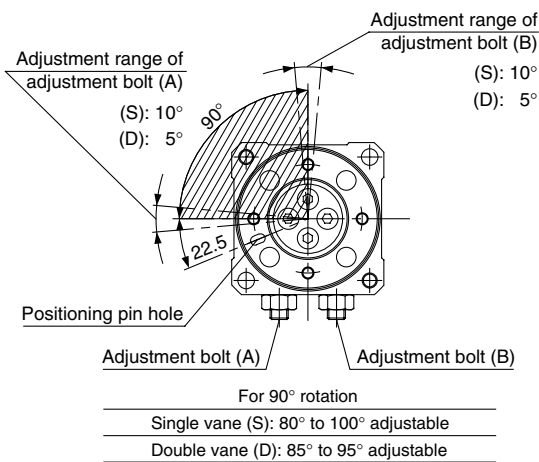


Table Rotation Range

Angle adjustment is possible as shown in the drawings below using adjustment bolts (A) and (B).



Mass

Size	Rotation angle	Basic mass		Auto switch unit + Auto switch 2 pcs.
		Single vane	Double vane	
1	90°	145	150	25
	180°	140	—	
3	90°	230	240	30
	180°	225	—	
7	90°	360	375	50
	180°	355	—	
20	90°	510	580	60
	180°	505	—	

Allowable Load

Do not permit the load and moment applied to the table to exceed the allowable values shown in the table below. (Operation above the allowable values can cause adverse effects on service life, such as play in the table and loss of accuracy.)

Size	Allowable radial load (N)	Allowable thrust load (N)		Allowable moment (N·m)
		(A)	(B)	
1	20	15	10	0.3
3	40	30	15	0.7
7	50	60	30	0.9
20	60	80	40	2.9

CRB2

CRBU2

CRB1

MSU

CRJ

CRA1

CRQ2

MSQ

MSZ

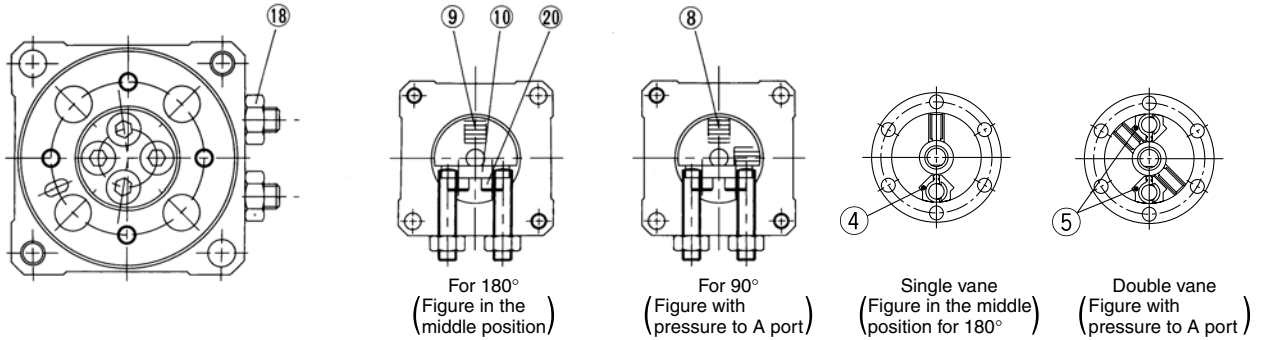
CRQ2X
MSQX

MRQ

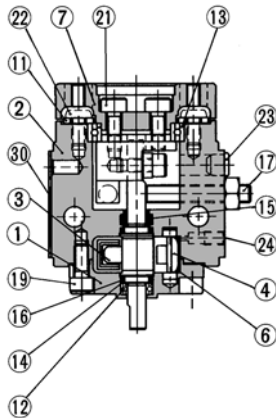
Series MSUB

Construction

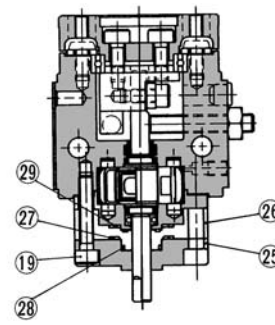
Internal Construction of Rotary Table



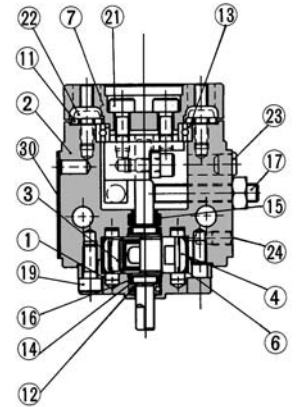
Single vane: Size 1, 3, 7, 20



Double vane: Size 1



Double vane: Size 3, 7, 20



Component Parts

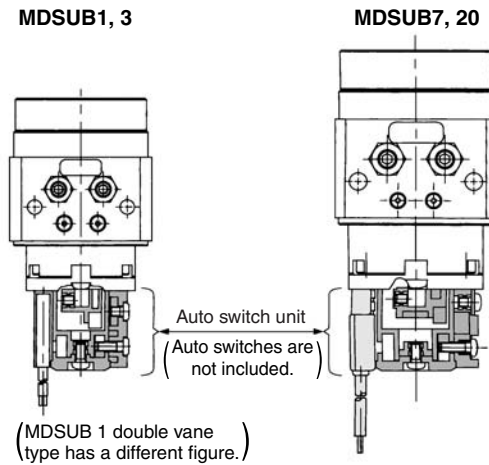
No.	Description	Material	Note
1	Body (A)	Aluminum alloy	Anodized
2	Body (B)	Aluminum alloy	Anodized
3	Vane shaft	Stainless steel (MSUB20: Carbon steel)	Single vane Double vane
4	Stopper	Resin	Single vane
5	Stopper	Stainless steel	Double vane
6	Stopper seal	NBR	
7	Table	Aluminum alloy	Anodized, Serigraph
8	Stopper lever (D)	Carbon steel	Heat treated, Electroless nickel plated
9	Stopper lever (S)	Carbon steel	Heat treated, Electroless nickel plated
10	Lever retainer	Carbon steel	Zync Chromated
11	Ring collar	Carbon steel	Zync Chromated
12	Bearing	High carbon chrome bearing steel	
13	Bearing	High carbon chrome bearing steel	
14	Back-up ring	Stainless steel	
15	Scraper	NBR	
16	O-ring	NBR	
17	Adjustment bolt	Carbon steel	Heat treated, Nickel plated
18	Hexagon nut	Stainless steel	
19	Hexagon socket head cap screw	Stainless steel	
20	Hexagon socket head cap screw	Stainless steel	
21	Hexagon socket head cap screw	Stainless steel	
22	Button bolt	Carbon steel	Nickel plated
23	Rubber cap	NBR	
24	Hexagon socket head set screw	Stainless steel	
25	Cover	Aluminum alloy	SE type only
26	Plate	Resin	
27	Gasket	NBR	
28	O-ring	NBR	
29	O-ring	NBR	
30	Label		

* The plug 24 is used only when the connection port is type SE.

Construction

Internal construction with auto switch

Units are common for both single and double vane.



* Refer to page 55 for the component parts.

* The auto switch unit can be retrofitted on a rotary actuator.
Auto switches should be ordered separately since they are not included.

Model	Auto switch unit part no.
M(D)SUB 1	P211070-1
M(D)SUB 3	P211090-1
M(D)SUB 7	P211060-1
M(D)SUB20	P211080-1

Auto switch block unit			
MDSUB1/3		MDSUB7/20	
For reed auto switch		For solid state auto switch	Combination of reed and solid state auto switches
Right-handed	Left-handed	Combination left & right-handed	Combination left & right-handed
Part no.: P211070-8	Part no.: P211070-9	Part no.: P211070-13	Part no.: P211060-8

* The auto switch block unit is included in the auto switch unit.

* Auto switch block unit shows the necessary assembly for mounting 1 piece of auto switch to the auto switch unit.

CRB2

CRBU2

CRB1

MSU

CRJ

CRA1

CRQ2

MSQ

MSZ

CRQ2X
MSQX

MRQ

D-□

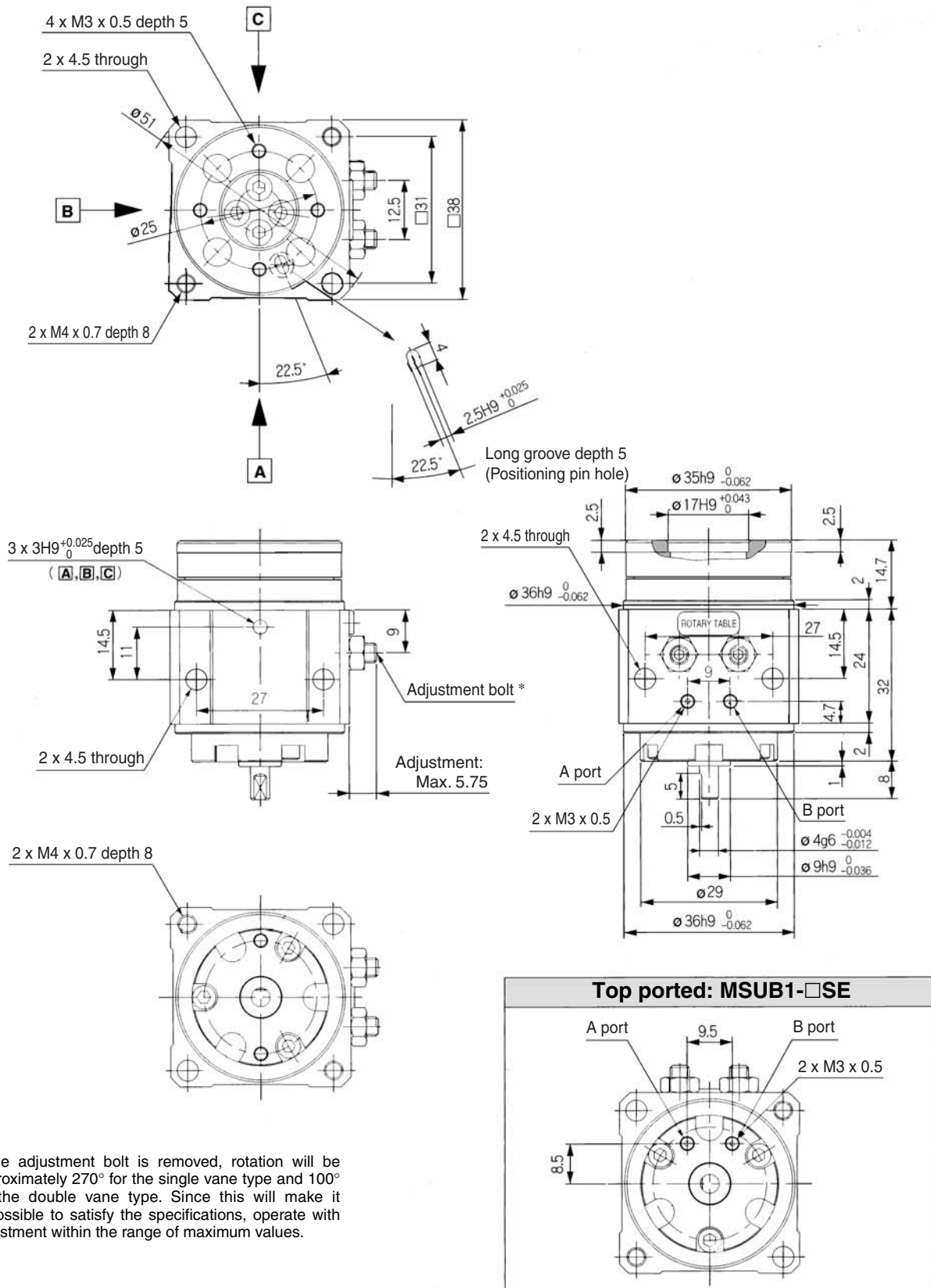
Series MSUB

Dimensions

These drawings indicate the condition when the B port is pressurized.

MSUB1 (Single vane)

MSUB1-□S/SE



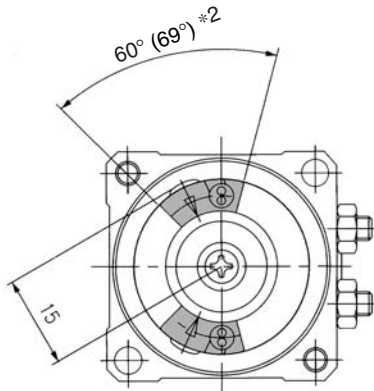
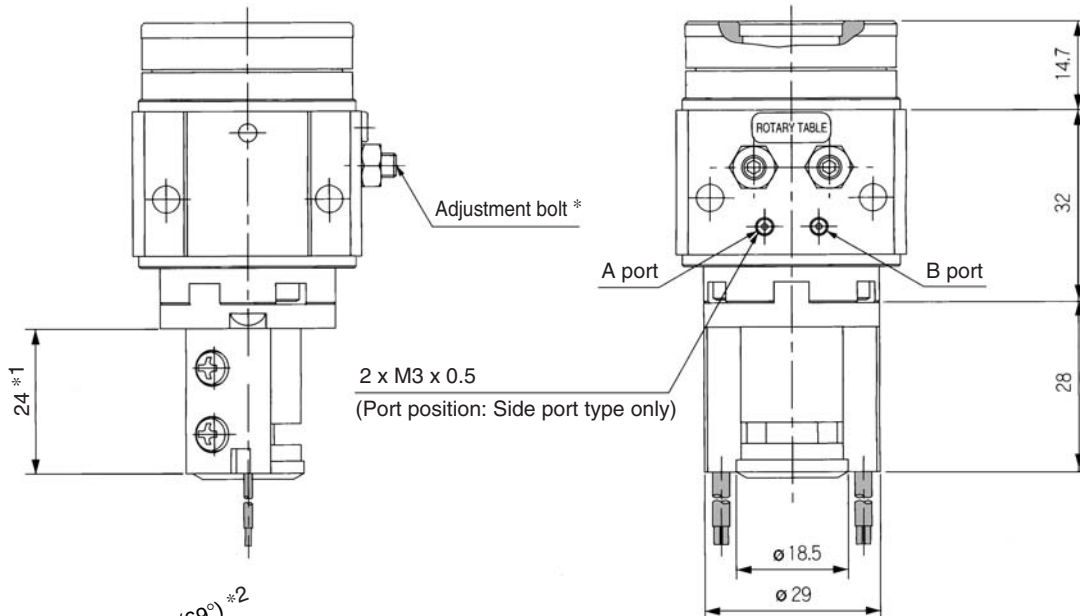
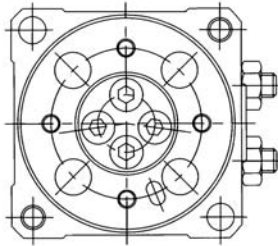
* If the adjustment bolt is removed, rotation will be approximately 270° for the single vane type and 100° for the double vane type. Since this will make it impossible to satisfy the specifications, operate with adjustment within the range of maximum values.

Rotary Table: Basic Type Vane Style *Series MSUB*

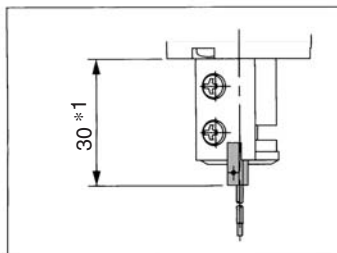
These drawings indicate the condition when the B port is pressurized.

With auto switch: MDSUB1-□S

- *1) 24: When using D-90/90A/S99(V)/T99(V)/S9P(V)
30: When using D-97/93A
- *2) 60°: When using D-90/90A/97/93A
69°: When using D-S99(V)/T99(V)/S9P(V)



D-97/93A



* If the adjustment bolt is removed, rotation will be approximately 270° for the single vane type and 100° for the double vane type. Since this will make it impossible to satisfy the specifications, operate with adjustment within the range of maximum values.

CRB2

CRBU2

CRB1

MSU

CRJ

CRA1

CRQ2

MSQ

MSZ

CRQ2X

MSQX

MRQ

D-□

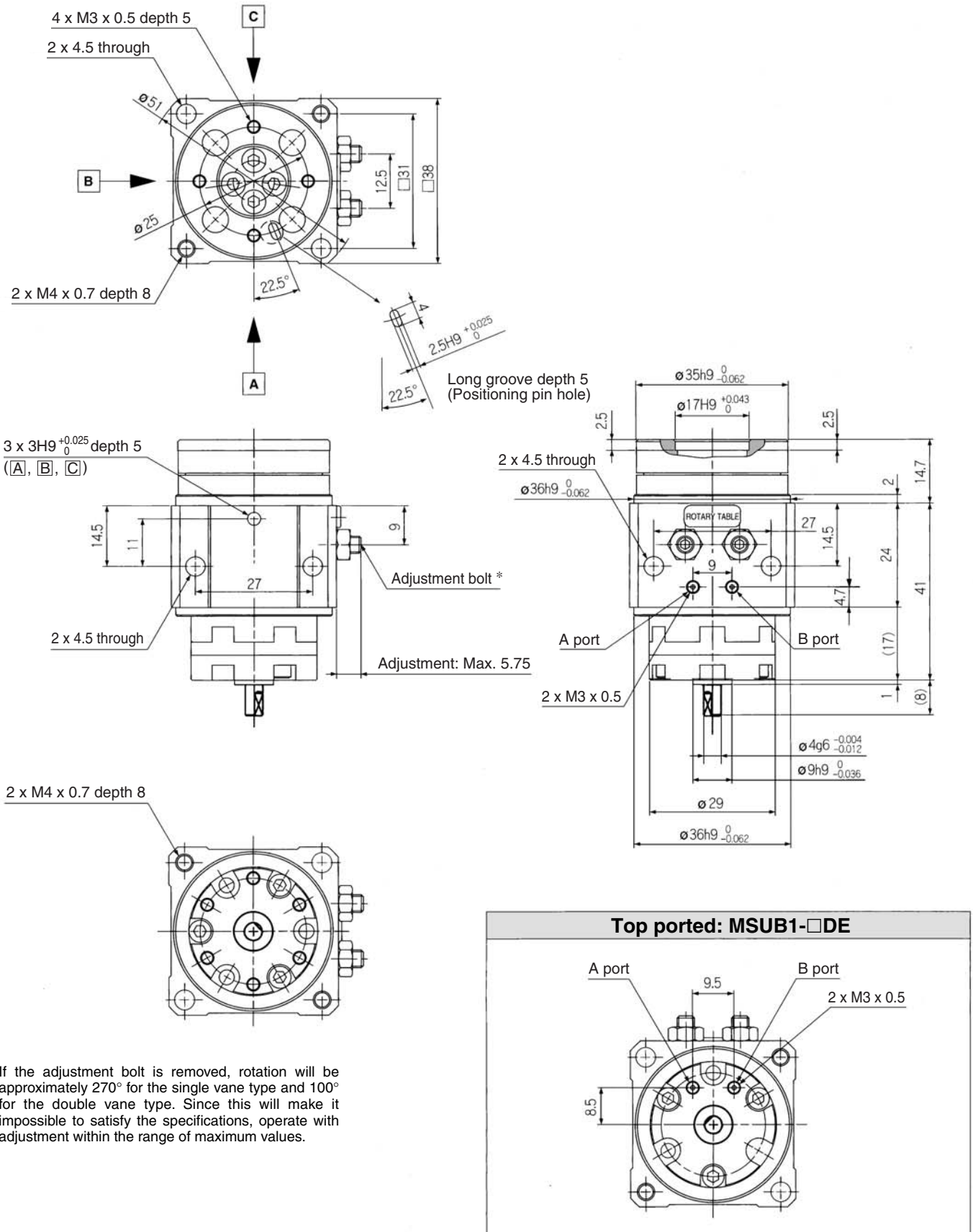
Series MSUB

Dimensions

These drawings indicate the condition when the B port is pressurized.

MSUB1 (Double vane)

MSUB1-□D



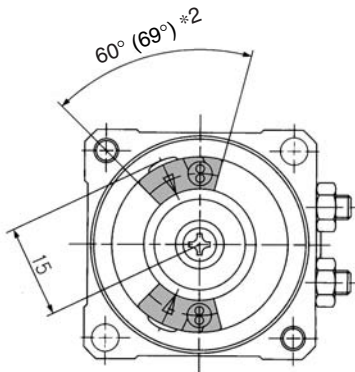
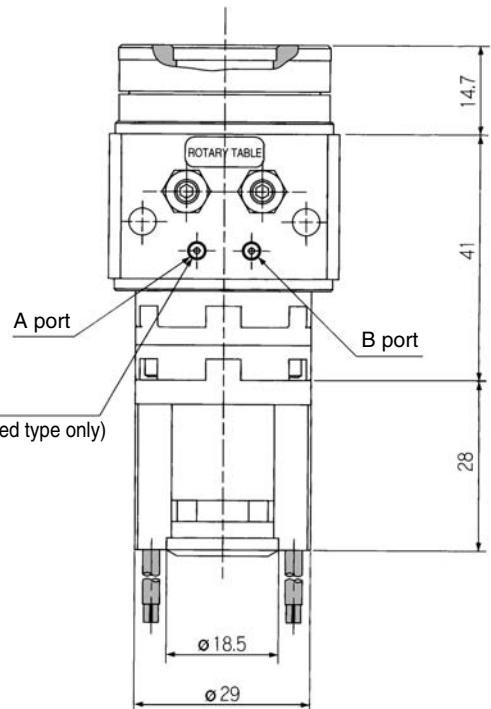
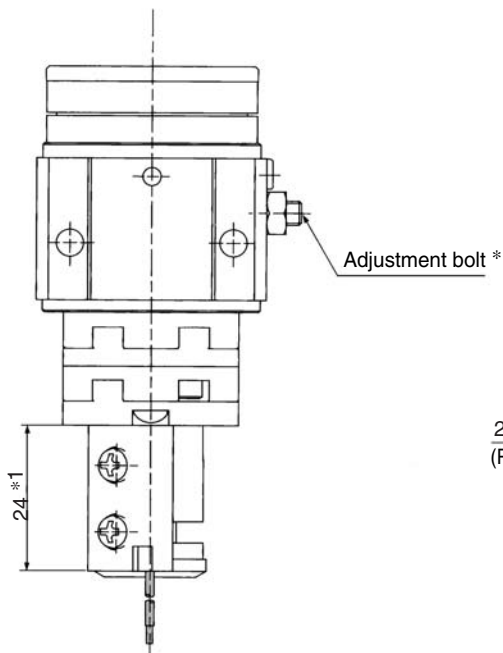
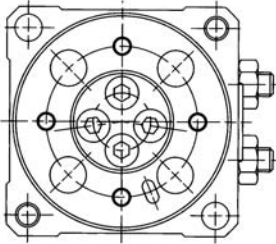
* If the adjustment bolt is removed, rotation will be approximately 270° for the single vane type and 100° for the double vane type. Since this will make it impossible to satisfy the specifications, operate with adjustment within the range of maximum values.

Rotary Table: Basic Type Vane Style **Series MSUB**

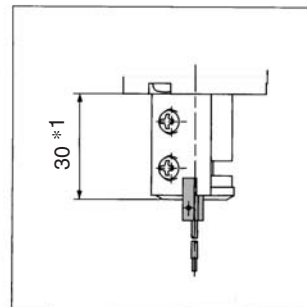
These drawings indicate the condition when the B port is pressurized.

With auto switch: MDSUB1-□D

- *1) 24: When using D-90/90A/S99(V)/T99(V)/S9P(V)
30: When using D-97/93A
- *2) 60°: When using D-90/90A/97/93A
69°: When using D-S99(V)/T99(V)/S9P(V)



D-97/93A



* If the adjustment bolt is removed, rotation will be approximately 270° for the single vane type and 100° for the double vane type. Since this will make it impossible to satisfy the specifications, operate with adjustment within the range of maximum values.

CRB2

CRBU2

CRB1

MSU

CRJ

CRA1

CRQ2

MSQ

MSZ

CRQ2X
MSQX

MRQ

D-□

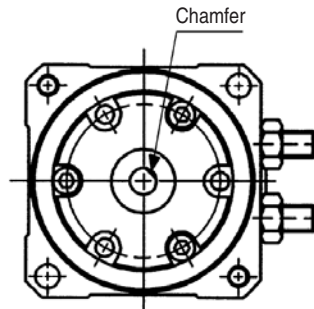
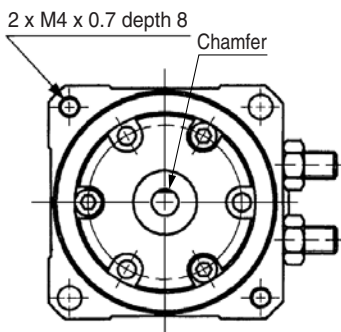
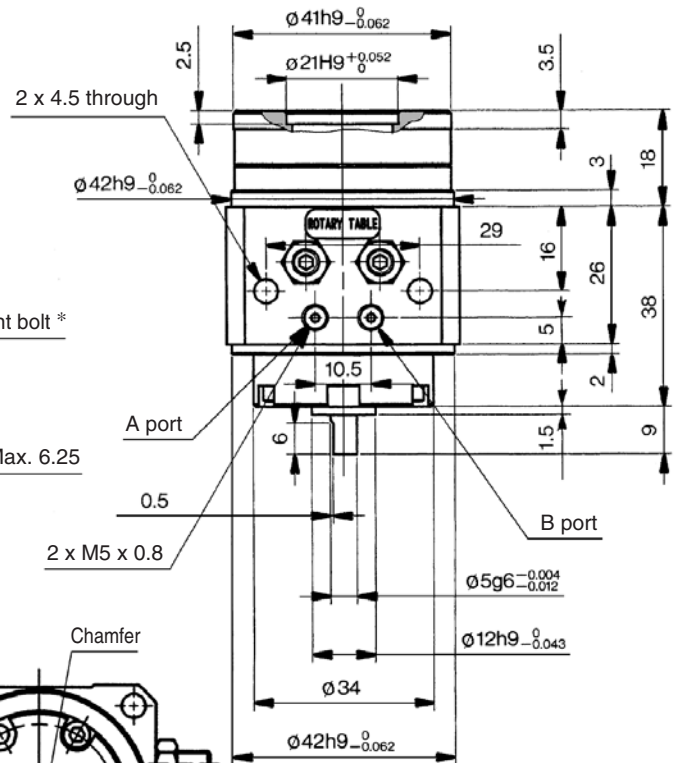
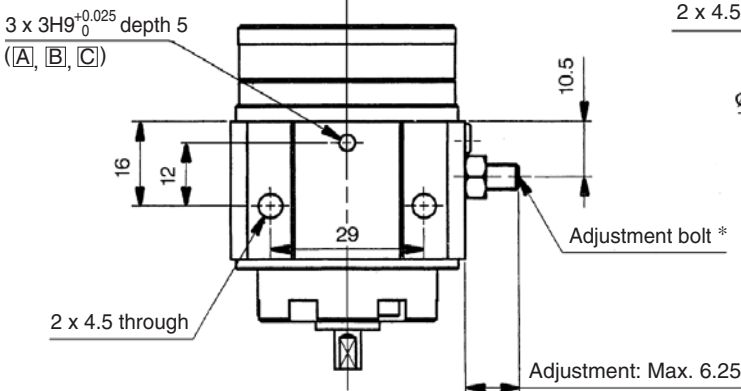
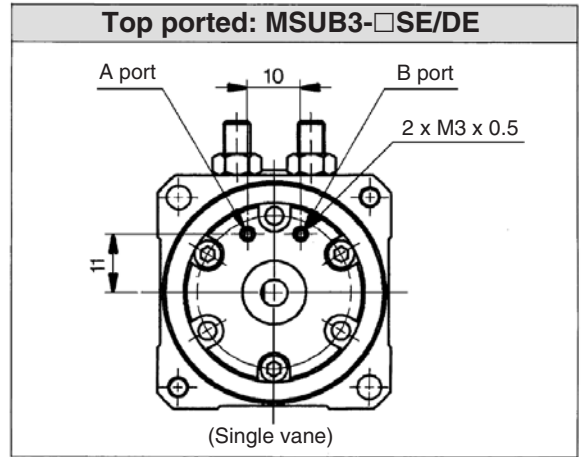
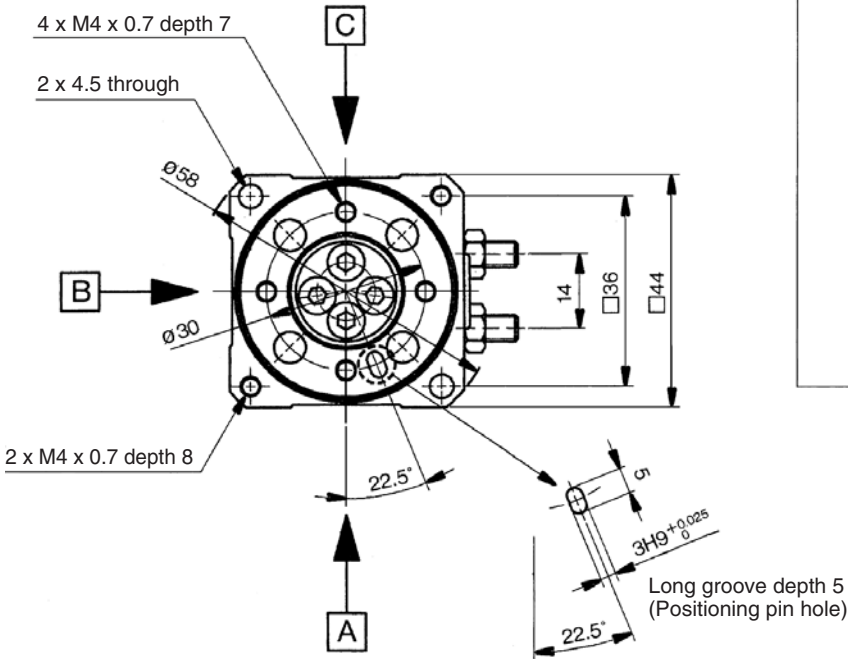
Series MSUB

Dimensions

These drawings indicate the condition when the B port is pressurized.

MSUB3 (Single vane/Double vane)

MSUB3-□S/D



The outside drawings show the single vane type, but only the position of the chamfered sections shown in the above drawings differs from single and double vane.

* If the adjustment bolt is removed, rotation will be approximately 270° for the single vane type and 100° for the double vane type. Since this will make it impossible to satisfy the specifications, operate with adjustment within the range of maximum values.

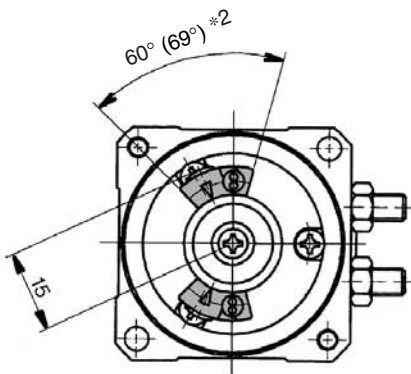
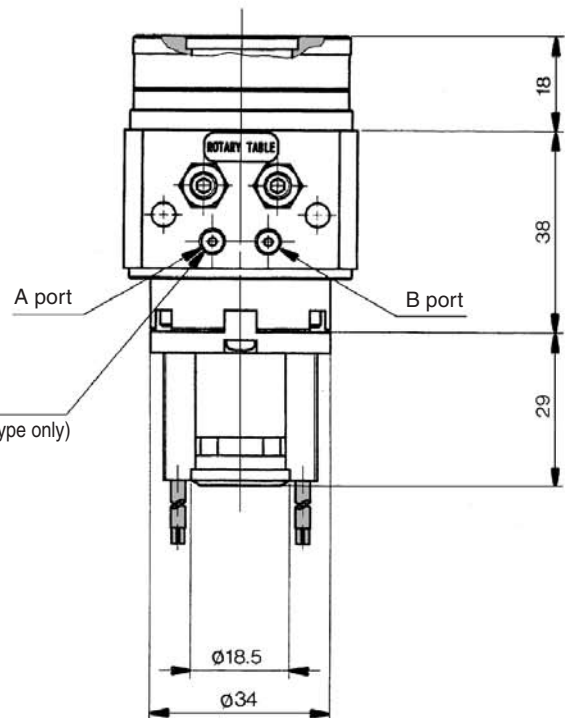
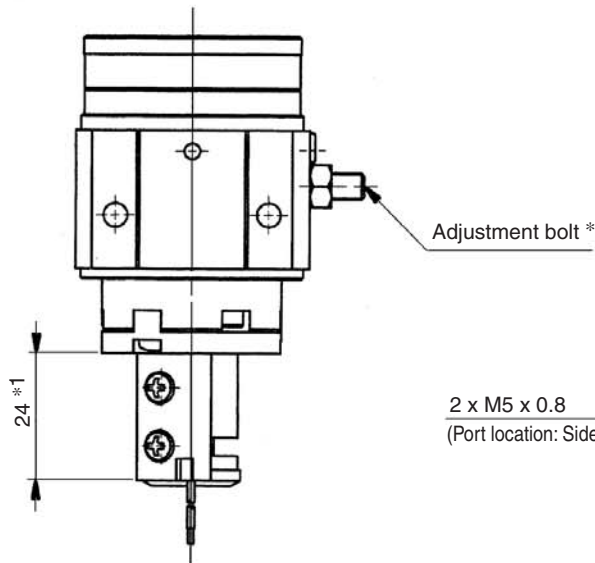
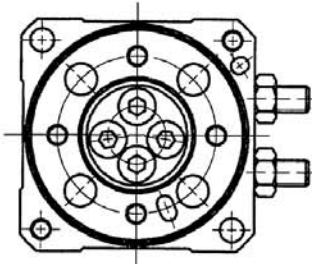
Rotary Table: Basic Type Vane Style *Series MSUB*

These drawings indicate the condition when the B port is pressurized.

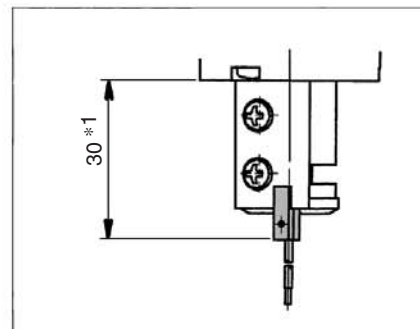
With auto switch: MDSUB3

- *1) 24: When using D-90/90A/S99(V)/T99(V)/S9P(V)
30: When using D-97/93A
- *2) 60°: When using D-90/90A/97/93A
69°: When using D-S99(V)/T99(V)/S9P(V)

* If the adjustment bolt is removed, rotation will be approximately 270° for the single vane type and 100° for the double vane type. Since this will make it impossible to satisfy the specifications, operate with adjustment within the range of maximum values.



D-97/93A



CRB2

CRBU2

CRB1

MSU

CRJ

CRA1

CRQ2

MSQ

MSZ

CRQ2X
MSQX

MRQ

D-□

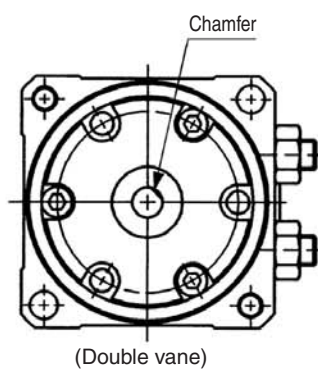
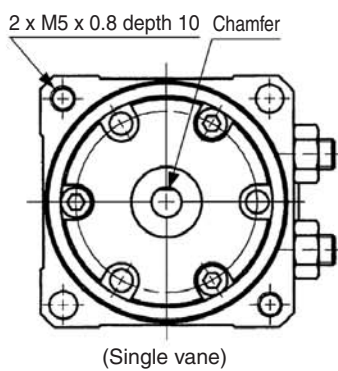
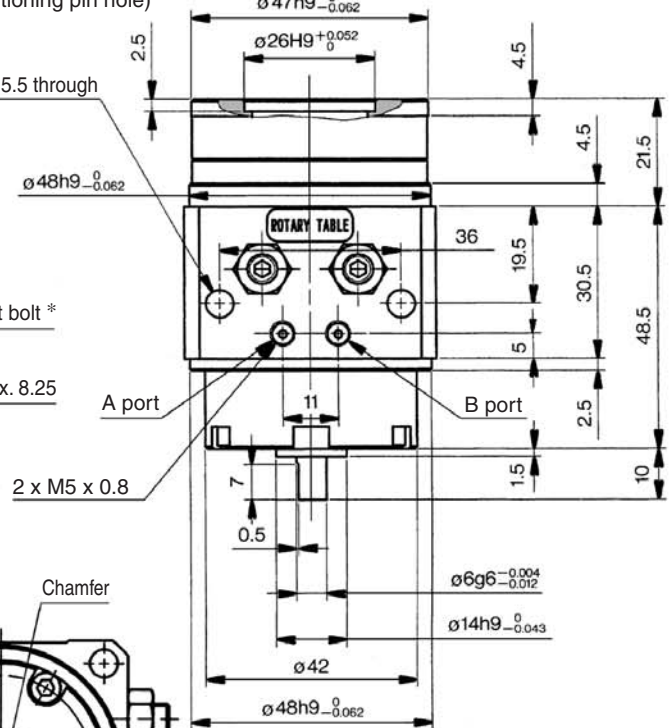
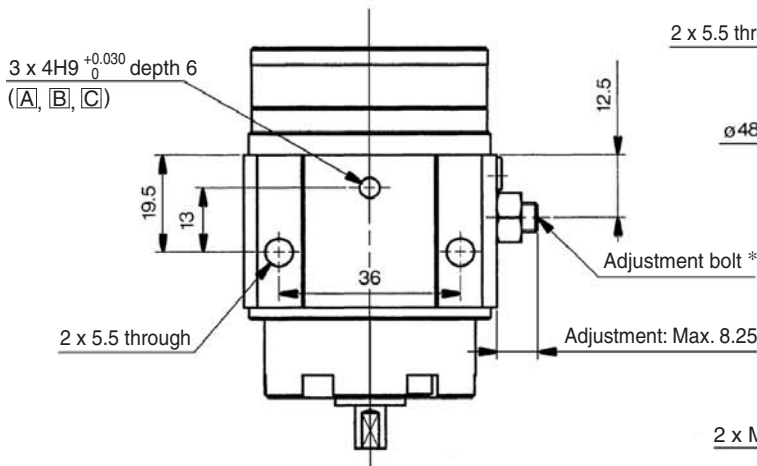
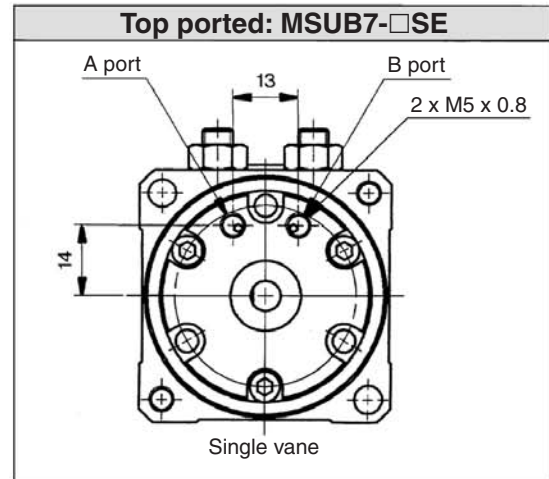
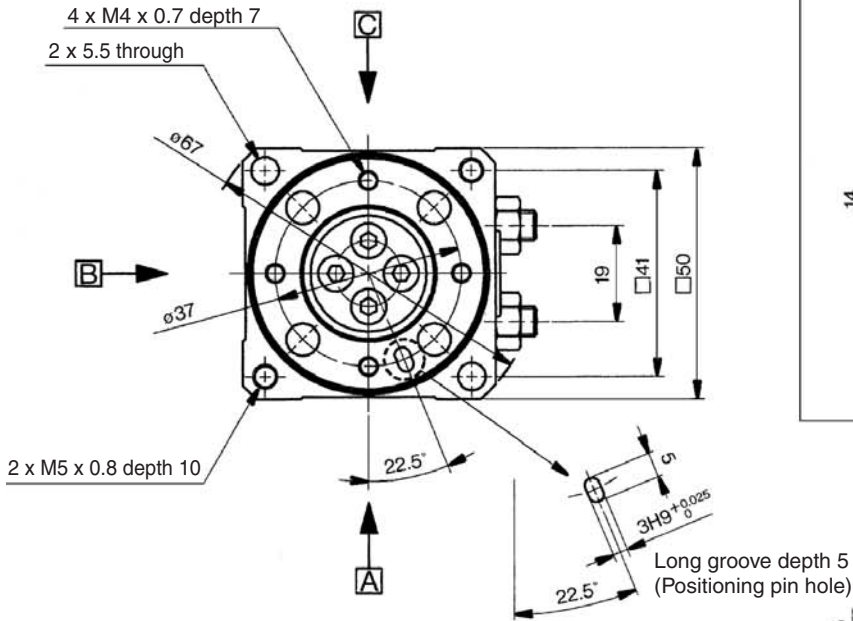
Series MSUB

Dimensions

These drawings indicate the condition when the B port is pressurized.

MSUB7 (Single vane/Double vane)

MSUB7-□S/D



The outside drawings show the single vane type, but only the position of the chamfered sections shown in the above drawings differs from single and double vane.

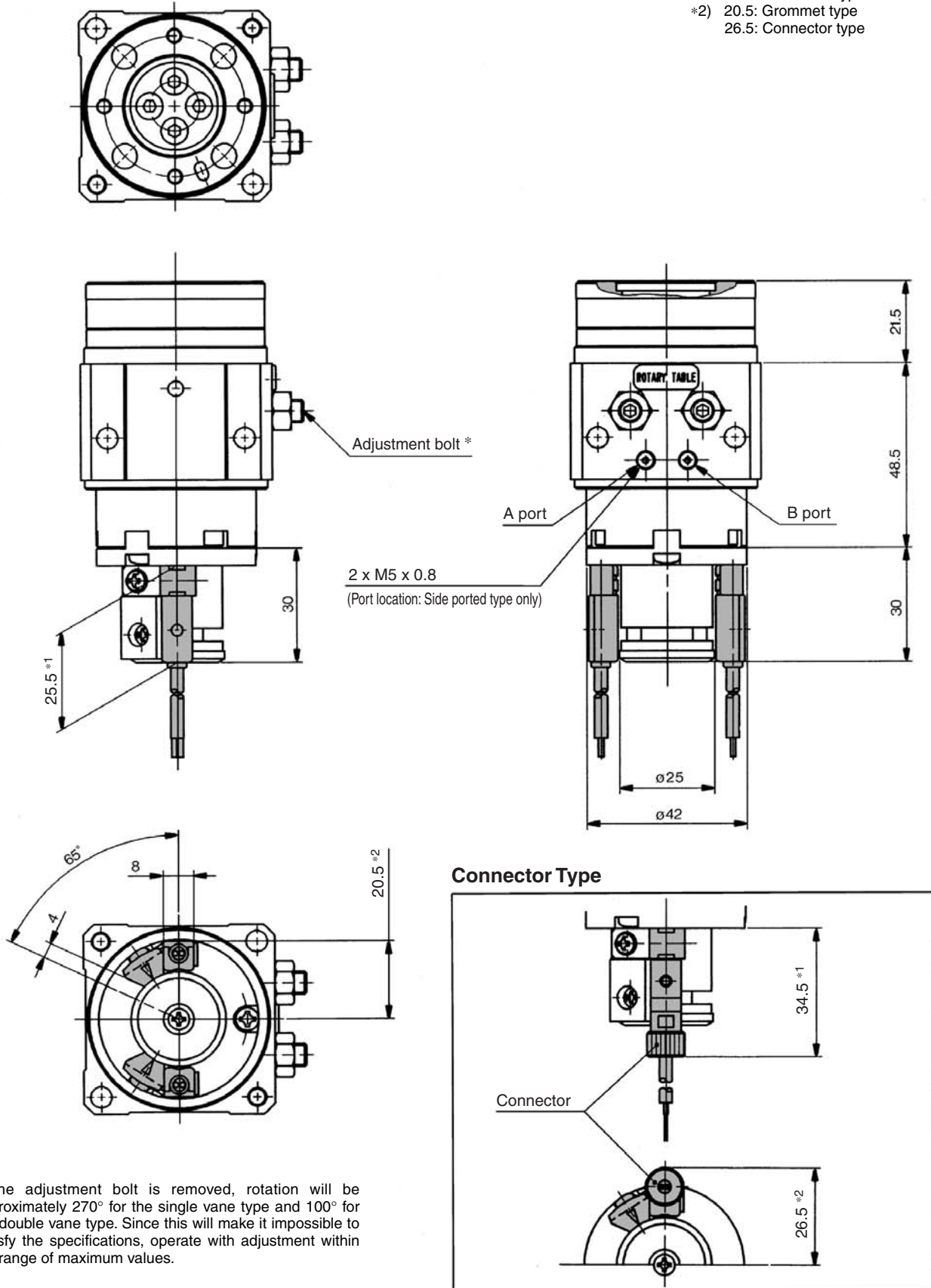
* If the adjustment bolt is removed, rotation will be approximately 270° for the single vane type and 100° for the double vane type. Since this will make it impossible to satisfy the specifications, operate with adjustment within the range of maximum values.

Rotary Table: Basic Type Vane Style **Series MSUB**

These drawings indicate the condition when the B port is pressurized.

With auto switch: MDSUB7

- *1) 25.5: Grommet type
34.5: Connector type
- *2) 20.5: Grommet type
26.5: Connector type



* If the adjustment bolt is removed, rotation will be approximately 270° for the single vane type and 100° for the double vane type. Since this will make it impossible to satisfy the specifications, operate with adjustment within the range of maximum values.

CRB2

CRBU2

CRB1

MSU

CRJ

CRA1

CRQ2

MSQ

MSZ

CRQ2X

MSQX

MRQ

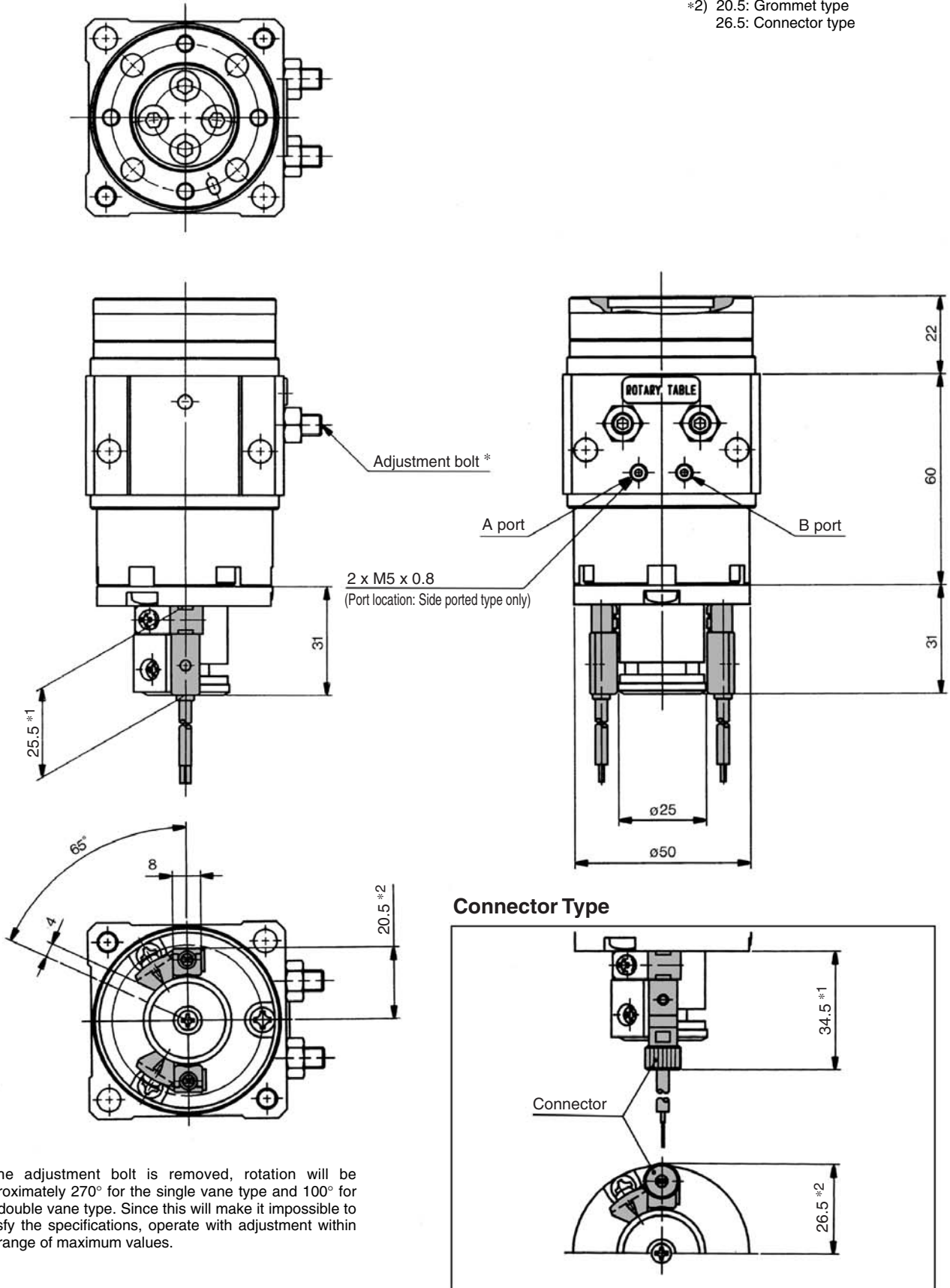
D-□

Rotary Table: Basic Type Vane Style **Series MSUB**

These drawings indicate the condition when the B port is pressurized.

With auto switch: MDSUB20

- *1) 25.5: Grommet type
34.5: Connector type
- *2) 20.5: Grommet type
26.5: Connector type



* If the adjustment bolt is removed, rotation will be approximately 270° for the single vane type and 100° for the double vane type. Since this will make it impossible to satisfy the specifications, operate with adjustment within the range of maximum values.

CRB2

CRBU2

CRB1

MSU

CRJ

CRA1

CRQ2

MSQ

MSZ

CRQ2X
MSQX

MRQ

D-□

Adjustment of Auto Switch

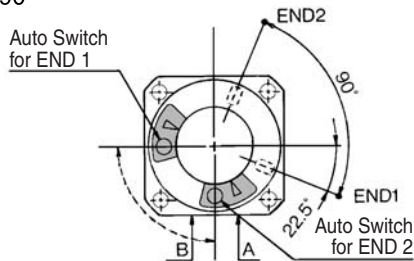


Table Positioning Pin Hole Rotation Range and Auto Switch Mounting Position

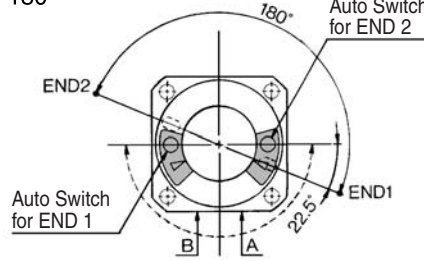
MSU□1/3

Single vane type

90°

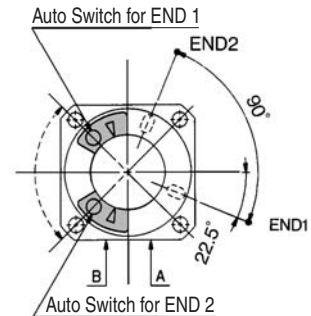


180°



Double vane type (MSUB only)

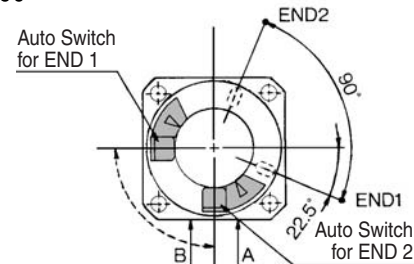
90°



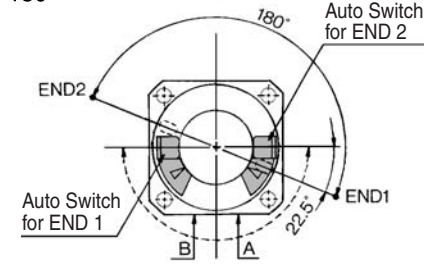
MSU□7/20

Single vane type

90°

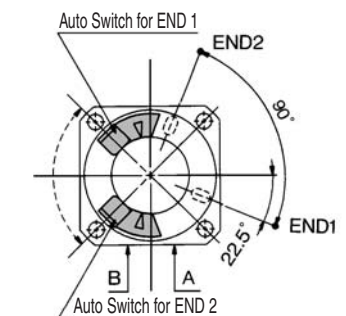


180°

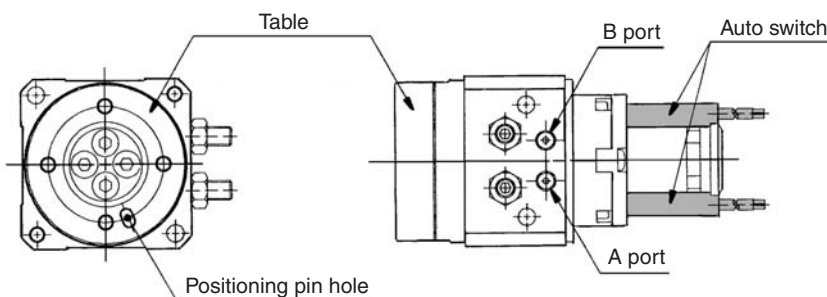


Double vane type (MSUB only)

90°



- In drawings that show the rotation range, the arrows on the solid line 90° (180°) indicate the rotation range of the positioning pin holes on the table surface. When the pin hole is at END1, the END1 auto switch operates, and when the pin hole is at END2, the END2 auto switch operates.
- The arrows on the broken line indicate the rotation range of the internal magnet. The rotation range of each auto switch can be reduced by moving the END1 auto switch clockwise and the END2 auto switch counterclockwise.



Auto Switch Operating Angle and Hysteresis Angle

Model	Operating angle	Hysteresis angle
MDSU□1, 3	110°	10°
MDSU□7, 20	90°	

Note) Since the above values are only provided as a guideline, they are not guaranteed. In the actual setting, adjust them after confirming the auto switch performance.

Refer to page 144 for operating angle of auto switch and angle of hysteresis and the procedure for moving the auto switch detection position.



Series MSU Specific Product Precautions

Be sure to read before handling. Refer to front matters 38 and 39 for Safety Instructions and pages 4 to 13 for Rotary Actuator and Auto Switch Precautions.

Selection

⚠ Warning

1. Ensure the load energy within the product's allowable energy value.

Operation with a load kinetic energy exceeding the allowable value can cause human injury and/or damage to equipment or machinery. (Refer to model section procedures in this catalog.)

⚠ Caution

1. When there are load fluctuations, allow a sufficient margin in the actuator torque.

In case of horizontal mounting (operation with product facing sideways), malfunction may occur due to load fluctuations.

Mounting

⚠ Caution

1. Adjust the rotation angle within the prescribed ranges.

Single vane type: $(90^\circ \pm 10^\circ, 180^\circ \pm 10^\circ)$ ($\pm 5^\circ$ at end of rotation)
Double vane type: $(90^\circ \pm 10^\circ)$ ($\pm 2.5^\circ$ at end of rotation)

* Series MSUB only.

Adjustment outside the prescribed ranges may cause malfunction of the product or failure of switches to operate.

2. Adjust the rotation time within the prescribed values using a speed controller, etc. (0.07 to 0.3 s/ 90°)

Adjustment to a speed slower than 0.3 s/ 90° can cause sticking and slipping or stopping of operation.

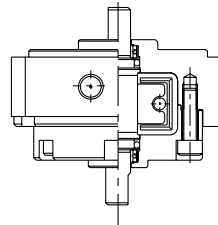
Maintenance

⚠ Caution

<High precision type/MSUA>

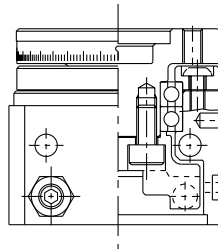
In case a rotary unit and table unit are required for maintenance, order with the unit part numbers shown below.

Rotary unit



Model	Unit part no.
MSUA 1-□S	P402070-2A
MSUA 1-□SE	P402070-2B
MSUA 3-□S	P402090-2A
MSUA 3-□SE	P402090-2B
MSUA 7-□S	P402060-2A
MSUA 7-□SE	P402060-2B
MSUA20-□S	P402080-2A
MSUA20-□SE	P402080-2B

Table unit



Model	Unit part no.
MSUA 1- 90□	P402070-3A
MSUA 1-180□	P402070-3B
MSUA 3- 90□	P402090-3A
MSUA 3-180□	P402090-3B
MSUA 7- 90□	P402060-3A
MSUA 7-180□	P402060-3B
MSUA20- 90□	P402080-3A
MSUA20-180□	P402080-3B

Note 1) Note that the rotation angle should not be changed even though the rotary unit has been changed. For maintenance, order units with a part number suitable for the model being used.

Note 2) Due to the integral construction of the MSUB series, the rotary and table units cannot be ordered separately.

CRB2

CRBU2

CRB1

MSU

CRJ

CRA1

CRQ2

MSQ

MSZ

CRQ2X

MSQX

MRQ

D-□