

Mechanically Jointed Rodless Cylinder

Series MY2

ø16, ø25, ø40



Compact and low profile design

MY1B

MY1M

MY1C

MY1H

MY1HT

MY1□W

MY2C

MY2H□

MY3A

MY3B

MY3M

D-□

-X□

Individual

-X□

Technical

data

Mechanically Jointed Rodless Cylinder

Series MY2

Compact and low profile design

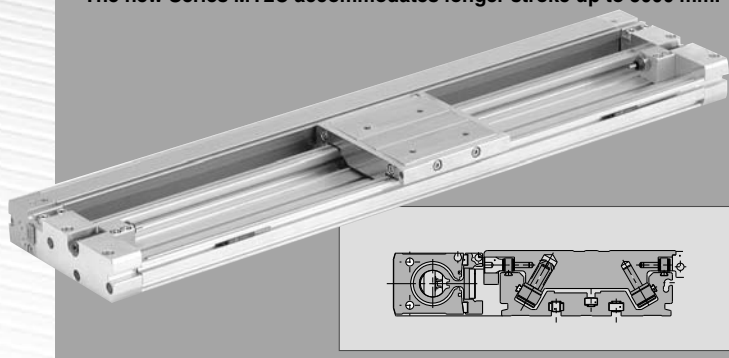
A complete reduction in height of the cylinder allows mounting in a narrow space. The low profile design of the cylinder built with a high precision single or double axis guide, provides same load capacity as the earlier Series MY1. Three types of guide options to suit a variety of applications.

MY2C

Cam Follower Guide

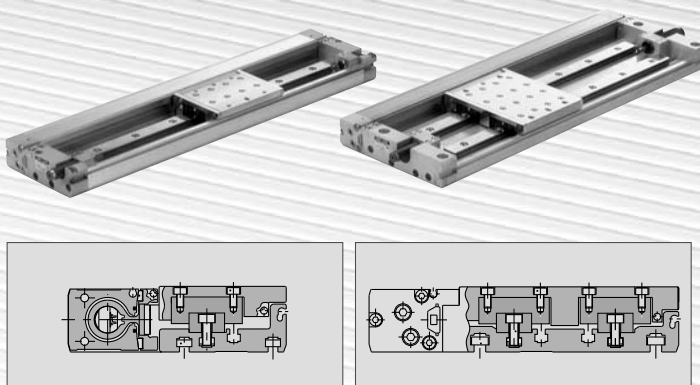
Available with long stroke

The new Series MY2C accommodates longer stroke up to 5000 mm.



MY2H Single-axis Linear Guide

MY2HT Double-axis Linear Guide



All 3 types have the same cylinder height and actuator (cylinder).

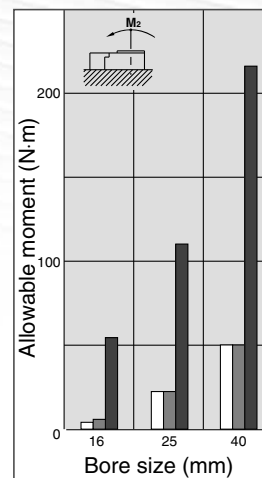
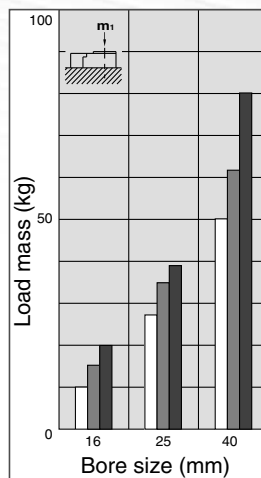
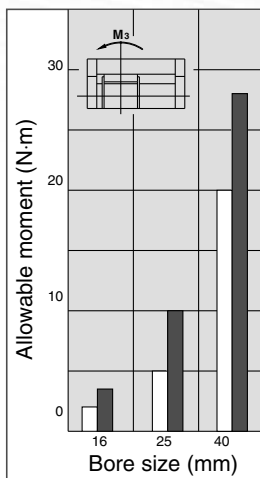
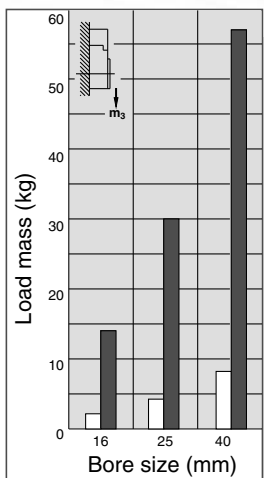
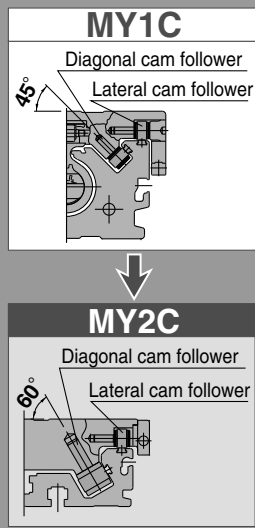
Increased load capacity

The dynamic load mass has been increased with improved guide performance. (Compared to previous Series MY1.)

Cam Follower Guide

Linear Guide

Higher rigidity of the diagonal cam follower and change in the mounting angle provides improved load and moment capacity.



MY2C
MY1C

MY2C
MY1C

MY2HT
MY2H
MY1H

MY2HT
MY2H
MY1H

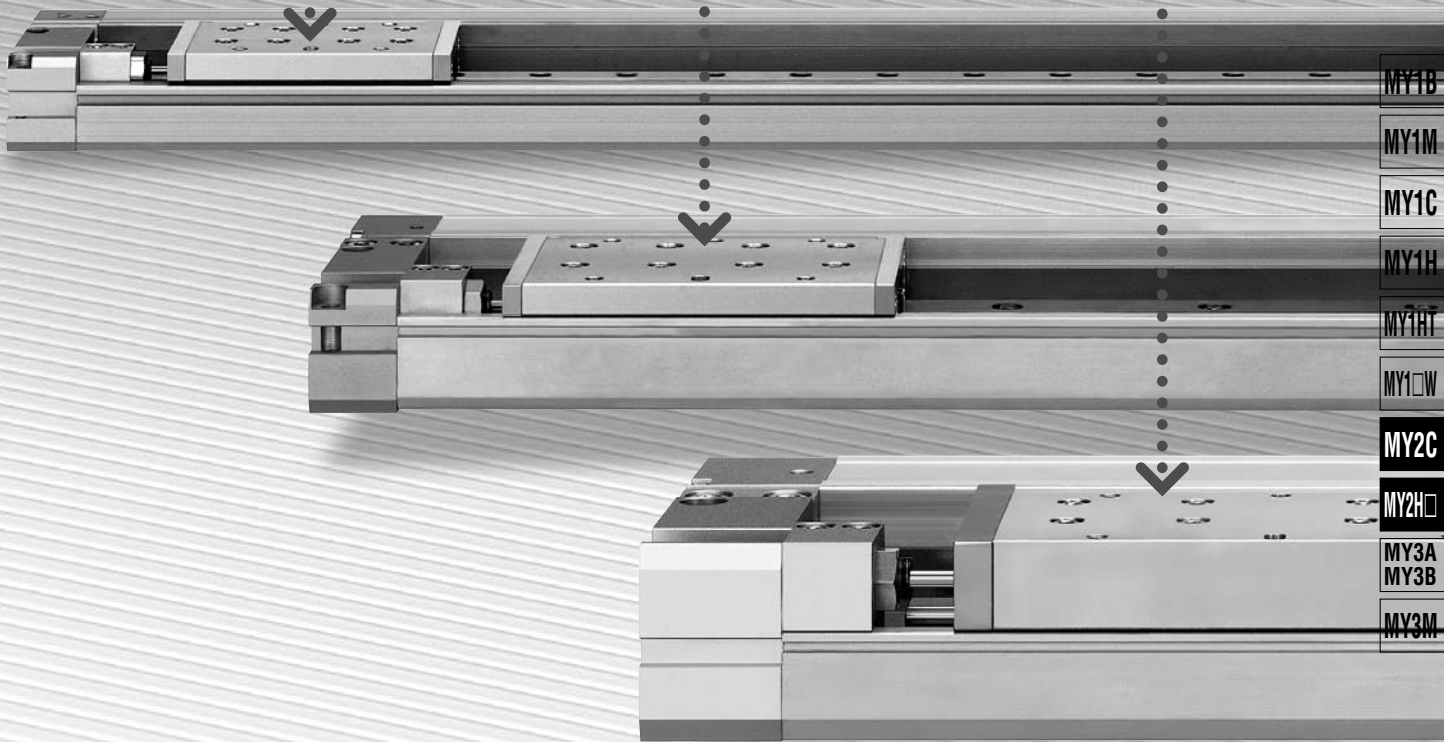


Height reduction by 30% (Compared to previous Series MY1.)

Low profile achieved by placing the guide unit and cylinder body next to one another. (dimension reduced by 12 mm to 26 mm)

Series	(mm)		
	ø16	ø25	ø40
MY2C			
MY2H (Single axis)	28	37	58
MY2HT (Double axis)			
MY1C, MY1H	40	54	84

ø16 / **28mm** ø25 / **37mm** ø40 / **58mm**

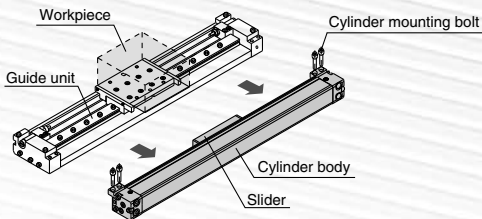


MY1B
MY1M
MY1C
MY1H
MY1HT
MY1□W
MY2C
MY2H□
MY3A
MY3B
MY3M

Easy replacement of cylinder body

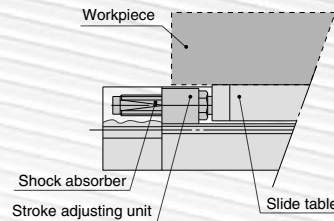
The cylinder can be replaced without removing the workpiece

The cylinder can be detached by simply removing the four mounting bolts, and pulling it off in the direction of the arrows.



Improved mounting flexibility

The low profile design allows mounting of heavy-loaded shock absorber (H unit) without interfering with the workpiece.



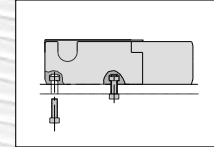
Option

Optional side support is available (Series MY2C)

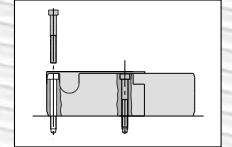
A side support prevents guide deflection for the long stroke application.

Two mounting styles

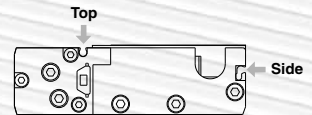
T-slot mounting



Through-hole mounting



Auto switch mounting on two sides



Standard with air cushion and centralized piping

Series Variations

Model	Bore size (mm)	Standard stroke (mm)																	Max. available stroke (mm)	Made to order					
		50	100	150	200	250	300	350	400	450	500	550	600	700	800	900	1000	1200			1400	1600	1800	2000	
MY2C Cam follower guide	16	●	●	●	●	●	●	●	●	●	●	●	●	●	●	●	●	●	●	●	●	●	●	5000 (3000 for ø16)	· Intermediate strokes (Standardized with MY2C)
MY2H Linear guide/ Single axis	25	●	●	●	●	●	●	●	●	●	●	●	●	●	●	●	●	●	●	●	●	●	●	1500 (1000 for ø16)	· Long strokes
MY2HT Linear guide/ Double axis	40	●	●	●	●	●	●	●	●	●	●	●	●	●	●	●	●	●	●	●	●	●	●	1500 (1000 for ø16)	· Helical insert threads
																									· Holder mounting brackets

D-□

-X□

Individual

-X□

Technical data

Series MY2

Model Selection 1

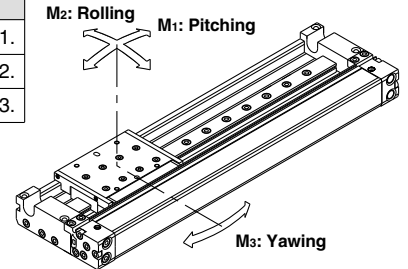
The following are the steps for selection of the series MY2 best suited to your application.

Standards for Tentative Model Selection

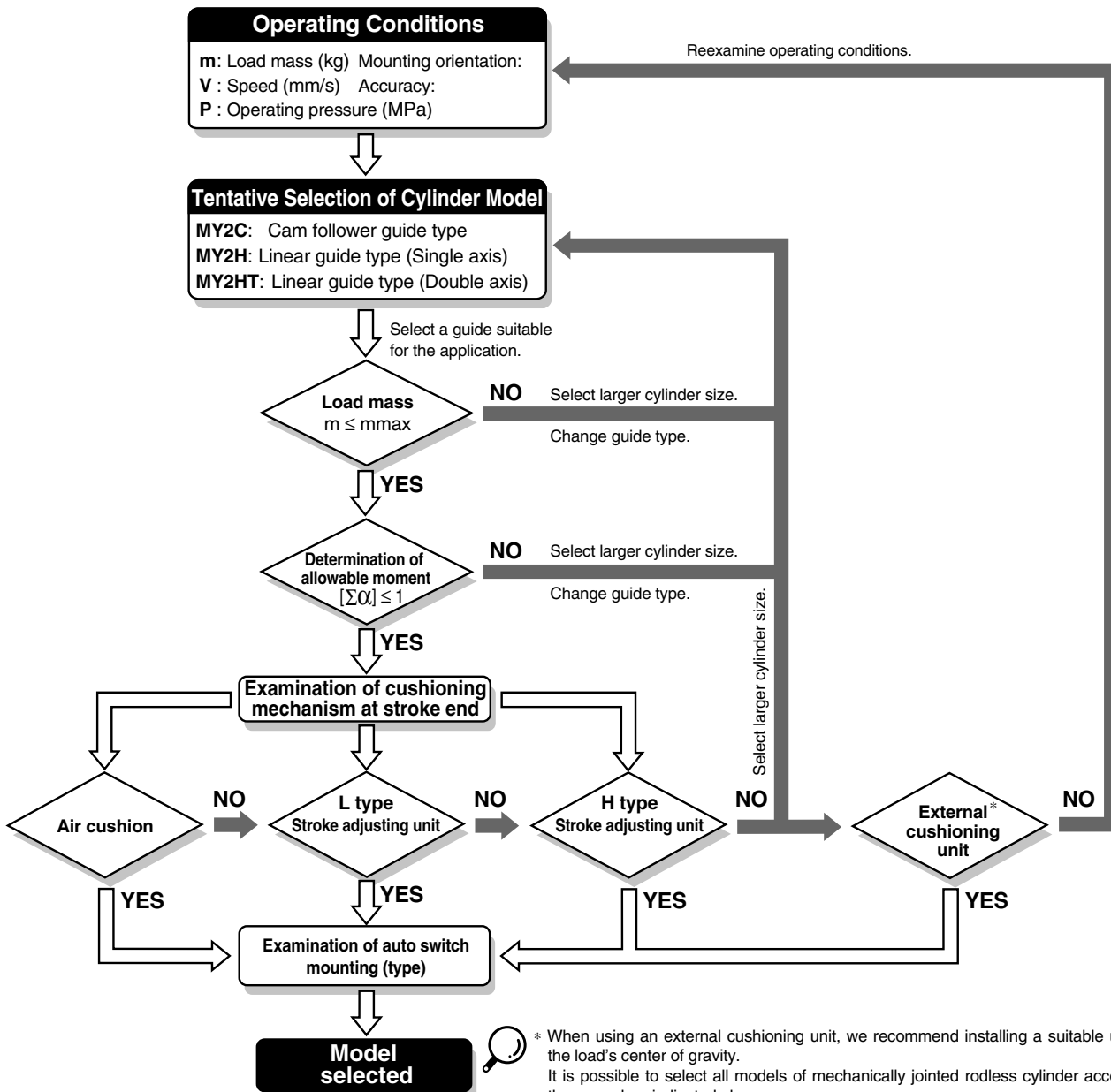
Cylinder model	Guide type	Standards for guide selection	Graphs for related allowable values
MY2C	Cam follower guide	Slide table accuracy approx. ± 0.05 mm <small>Note 2)</small>	Refer to page 1091.
MY2H	Linear guide type (Single axis)	Slide table accuracy ± 0.05 mm or less <small>Note 2)</small>	Refer to page 1092.
MY2HT	Linear guide type (Double axis)	Slide table accuracy ± 0.05 mm or less <small>Note 2)</small>	Refer to page 1093.

Note 1) Please use the precision of each guide as a guideline for selection. Please contact SMC if warranty on precision is required.

Note 2) Accuracy indicates displacement of the table (at stroke end) when 50% of the allowable moment shown in the catalog is applied. (Reference value)



Selection Flow Chart

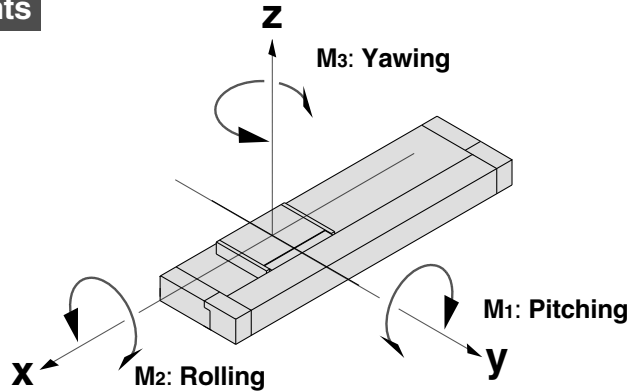


* When using an external cushioning unit, we recommend installing a suitable unit near the load's center of gravity. It is possible to select all models of mechanically jointed rodless cylinder according to the procedure indicated above. Refer to the separate instruction manual for further explanation, and please consult with SMC regarding any questions.

Types of Moment Applied on Rodless Cylinders

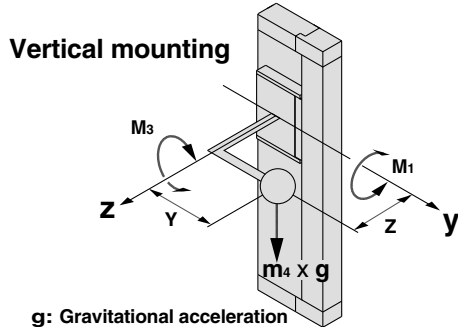
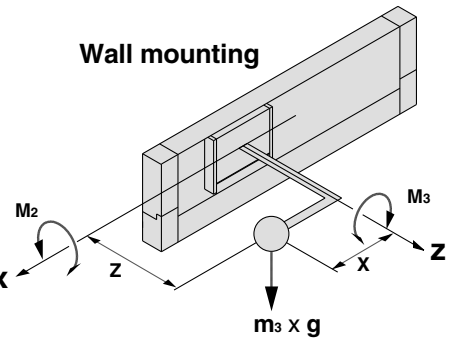
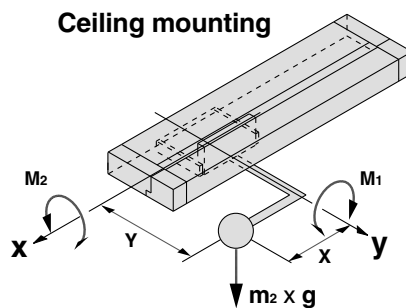
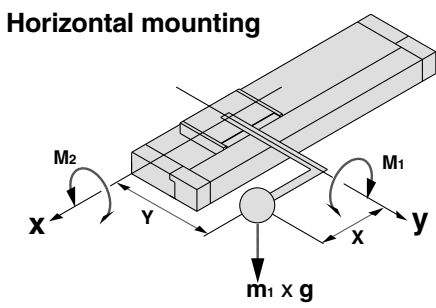
Multiple moments may be generated depending on the mounting orientation, load, and position of the center of gravity.

Coordinates and Moments



- MY1B
- MY1M
- MY1C
- MY1H
- MY1HT
- MY1□W
- MY2C
- MY2H□
- MY3A
- MY3B
- MY3M

Static Moment

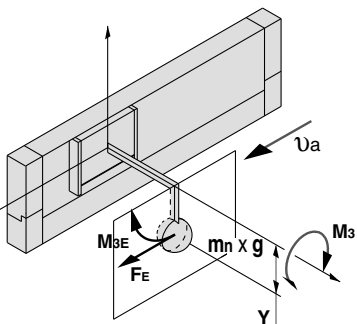
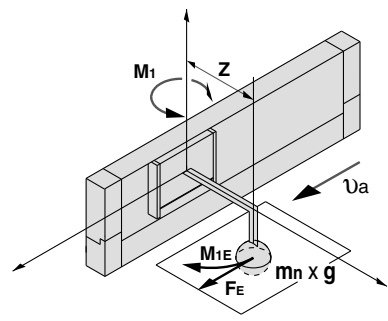


g: Gravitational acceleration

Mounting orientation	Horizontal	Ceiling	Wall	Vertical	
Static load m	m₁	m₂	m₃	m₄ (Note)	
Static moment	M₁	$m_1 \times g \times X$	$m_2 \times g \times X$	—	$m_4 \times g \times Z$
	M₂	$m_1 \times g \times Y$	$m_2 \times g \times Y$	$m_3 \times g \times Z$	—
	M₃	—	—	$m_3 \times g \times X$	$m_4 \times g \times Y$

Note) m_4 is a mass movable by thrust. Use 0.3 to 0.7 times the thrust (differs depending on the operating speed) as a guide for actual use.

Dynamic Moment



g: Gravitational acceleration, **Ua:** Average speed

Mounting orientation	Horizontal	Ceiling	Wall	Vertical
Dynamic load F_E	$\frac{1.4}{100} \times U_a \times m_n \times g$			
Dynamic moment	M_{1E}	$\frac{1}{3} \times F_E \times Z$		
	M_{2E}	Dynamic moment M_{2E} does not occur.		
	M_{3E}	$\frac{1}{3} \times F_E \times Y$		

Note) Regardless of the mounting orientation, dynamic moment is calculated with the formulas above.

- D-□
- X□
- Individual
- X□
- Technical data

Maximum Allowable Moment/Maximum Load Mass

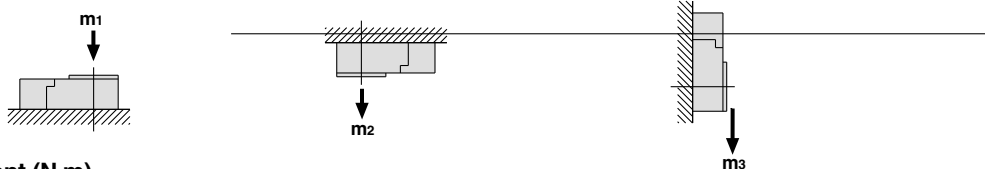
Model	Bore size (mm)	Maximum allowable moment (N·m)			Maximum load mass (kg)		
		M ₁	M ₂	M ₃	m ₁	m ₂	m ₃
MY2C	16	5	4	3.5	18	16	14
	25	13	14	10	35	35	30
	40	45	33	28	68	66	57
MY2H	16	7	6	7	15	13	13
	25	28	26	26	32	30	30
	40	60	50	60	62	62	62
MY2HT	16	46	55	46	20	18	18
	25	100	120	100	38	35	35
	40	200	220	200	80	80	80

The above values are the maximum allowable values for moment and load. Refer to each graph regarding the maximum allowable moment and maximum load mass for a particular piston speed.

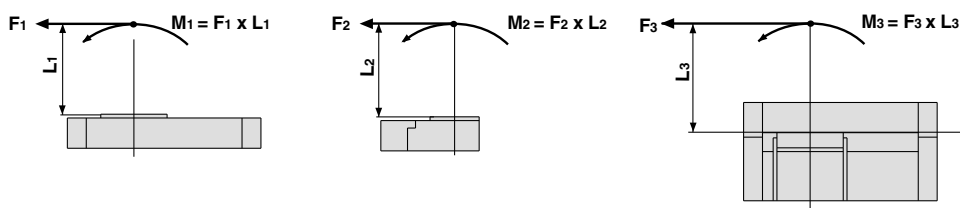
Maximum Allowable Moment

Select the moment from within the range of operating limits shown in the graphs. Note that the maximum load mass value may sometimes be exceeded even within the operating limits shown in the graphs. Therefore, also check the allowable load for the selected conditions.

Load mass (kg)



Moment (N·m)



<Calculation of guide load factor>

1. Maximum load mass (1), static moment (2), and dynamic moment (3) (at the time of impact with stopper) must be examined for the selection calculations.

* To evaluate, use \bar{v} (average speed) for (1) and (2), and v (impact speed $v = 1.4\bar{v}$) for (3). Calculate m_{max} for (1) from the maximum load mass graph (m_1, m_2, m_3) and M_{max} for (2) and (3) from the maximum allowable moment graph (M_1, M_2, M_3).

$$\text{Sum of guide load factors } \Sigma \alpha = \frac{\text{Load mass [m]}}{\text{Maximum load mass [m}_{max}\text{]}} + \frac{\text{Static moment [M]}^{(1)}}{\text{Allowable static moment [M}_{max}\text{]}} + \frac{\text{Dynamic moment [ME]}^{(2)}}{\text{Allowable dynamic moment [ME}_{max}\text{]}} \leq 1$$

Note 1) Moment caused by the load, etc., with cylinder in resting condition.
 Note 2) Moment caused by the impact load equivalent at the stroke end (at the time of impact with stopper).
 Note 3) Depending on the shape of the workpiece, multiple moments may occur. When this happens, the sum of the load factors ($\Sigma \alpha$) is the total of all such moments.

Maximum Load Mass

Select the load mass from within the range of limits shown in the graphs. Note that the maximum allowable moment value may sometimes be exceeded even within the operating limits shown in the graphs. Therefore, also check the allowable moment for the selected conditions.

2. Reference formulas [Dynamic moment at impact]

Use the following formulas to calculate dynamic moment when taking stopper impact into consideration.

- m : Load mass (kg)
- F : Load (N)
- F_E : Load equivalent to impact (at impact with stopper) (N)
- \bar{v} : Average speed (mm/s)
- M : Static moment (N·m)
- v : Impact speed (mm/s)
- L_1 : Distance to the load's center of gravity (m)
- M_E : Dynamic moment (N·m)
- g : Gravitational acceleration (9.8 m/s²)

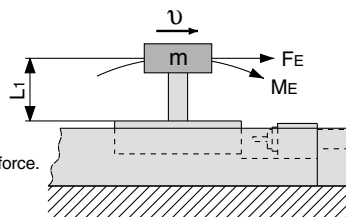
$$v = 1.4\bar{v} \text{ (mm/s)} \quad F_E = \frac{1.4}{100} \bar{v} a \cdot g \cdot m \text{ (Note 4)}$$

$$\therefore M_E = \frac{1}{3} \cdot F_E \cdot L_1 = 0.05\bar{v} a m L_1 \text{ (N·m) (Note 5)}$$

Note 4) $\frac{1.4}{100} \bar{v} a$ is a dimensionless coefficient for calculating impact force.

Note 5) Average load coefficient ($= \frac{1}{3}$):

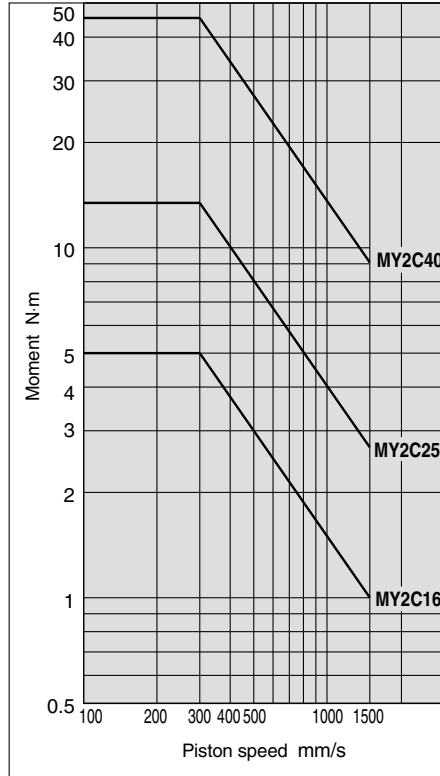
This coefficient is for averaging the maximum load moment at the time of stopper impact according to service life calculations.



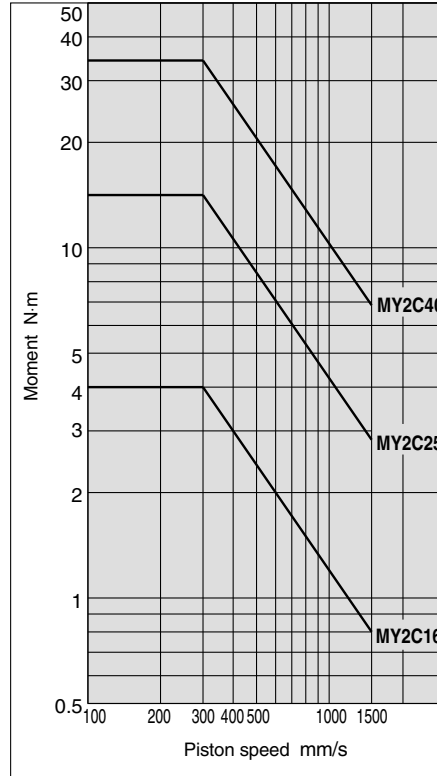
3. Refer to pages 1096 and 1097 for detailed selection procedures.

Moment/MY2C

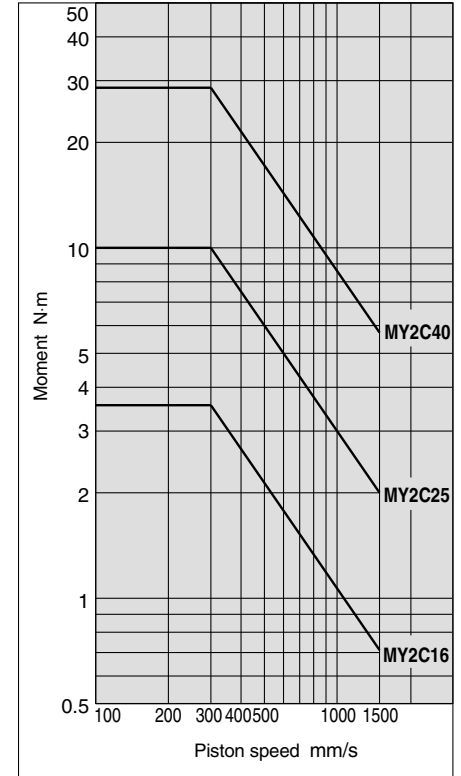
MY2C/M₁



MY2C/M₂



MY2C/M₃



MY1B

MY1M

MY1C

MY1H

MY1HT

MY1□W

MY2C

MY2H□

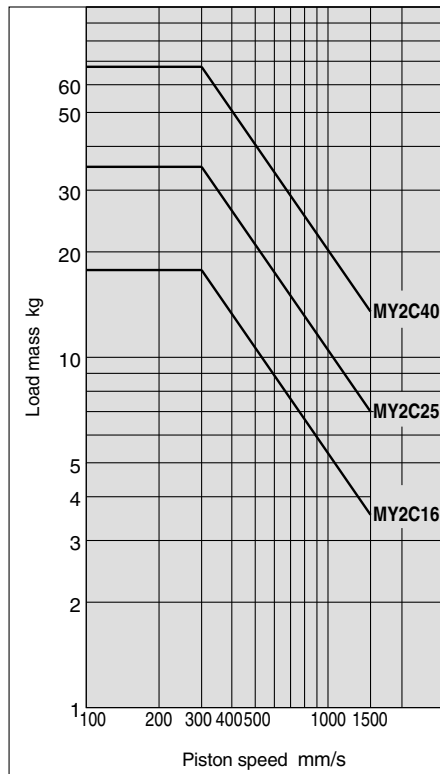
MY3A

MY3B

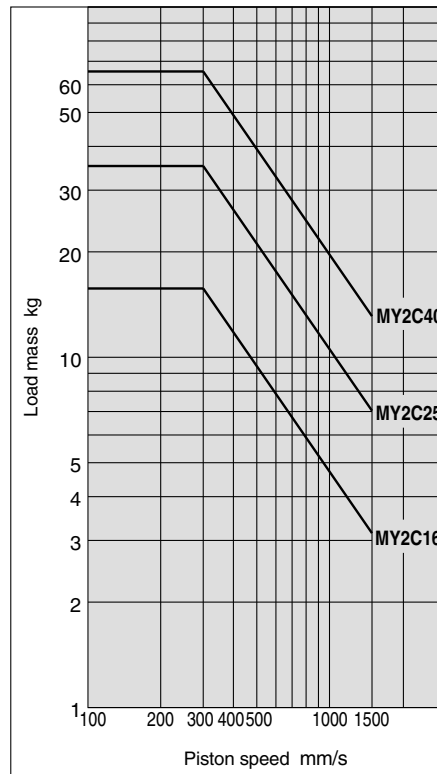
MY3M

Load Mass/MY2C

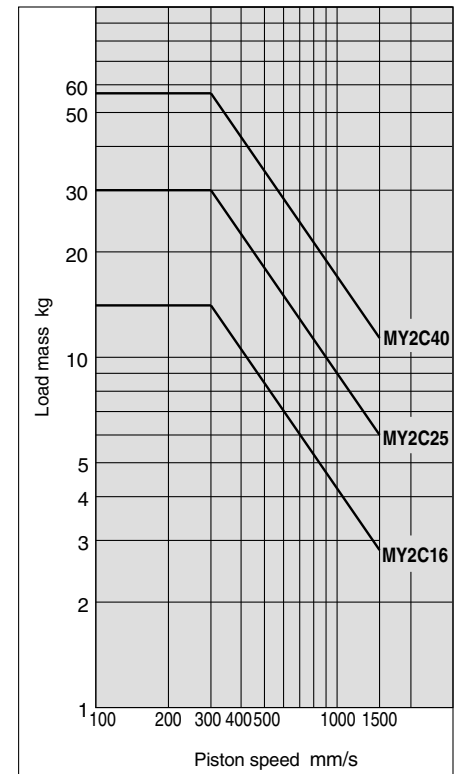
MY2C/m₁



MY2C/m₂



MY2C/m₃



D-□

-X□

Individual

-X□

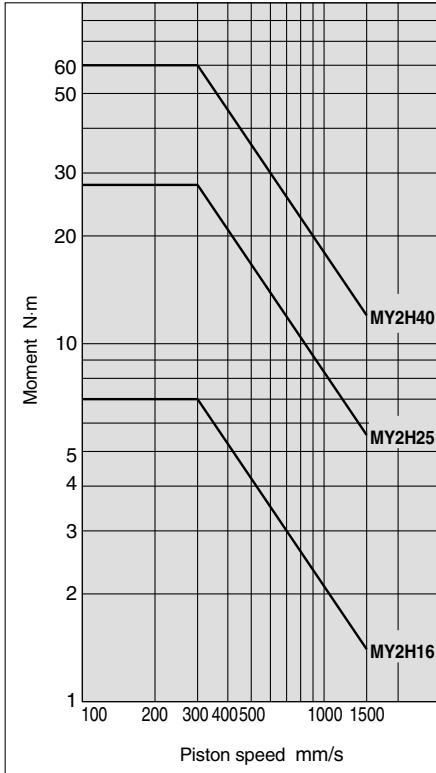
Technical data

Series MY2

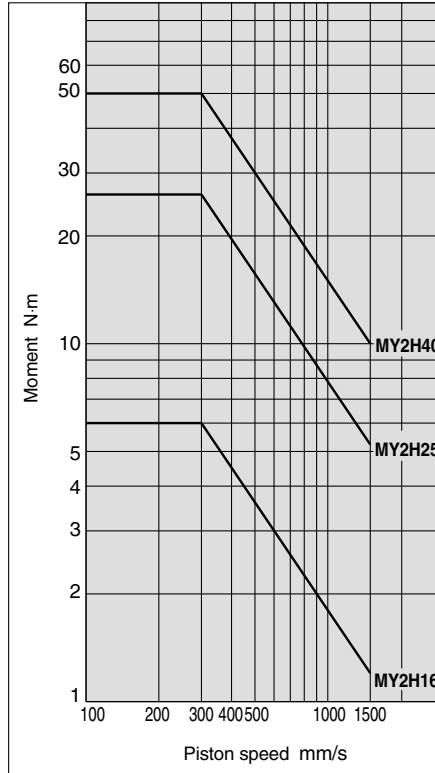
Maximum Allowable Moment/Maximum Load Mass

Moment/MY2H (Single axis)

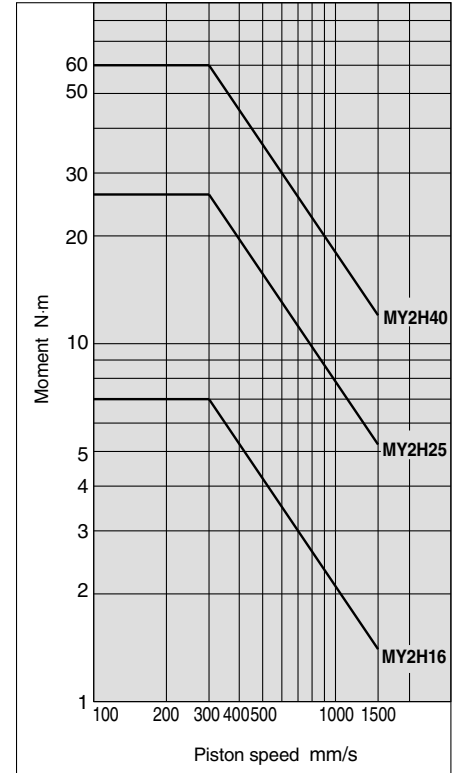
MY2H/M1



MY2H/M2

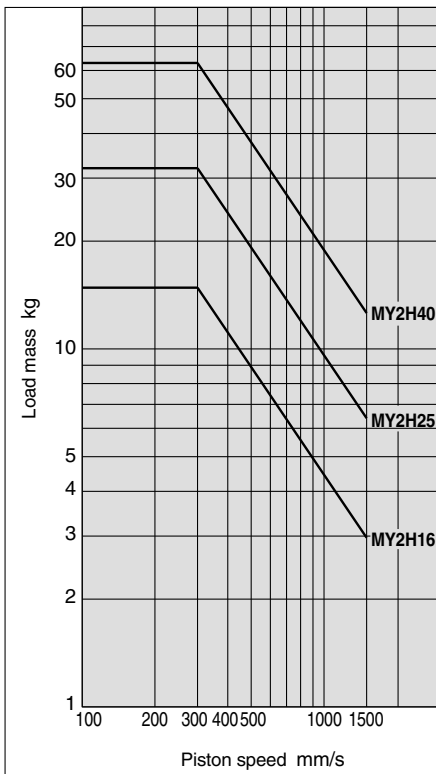


MY2H/M3

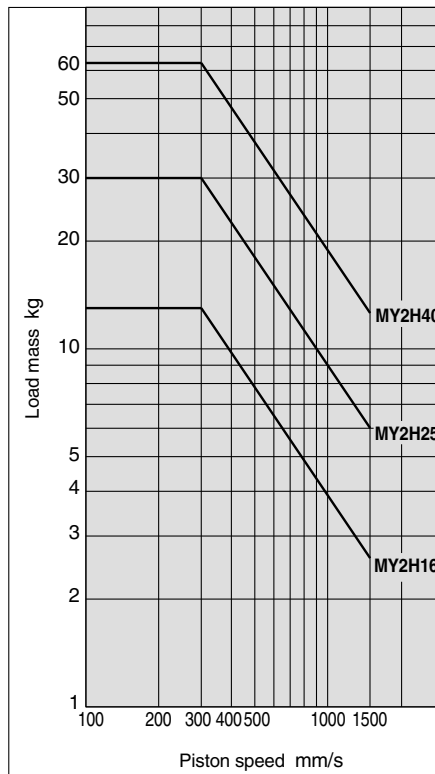


Load Mass/MY2H (Single axis)

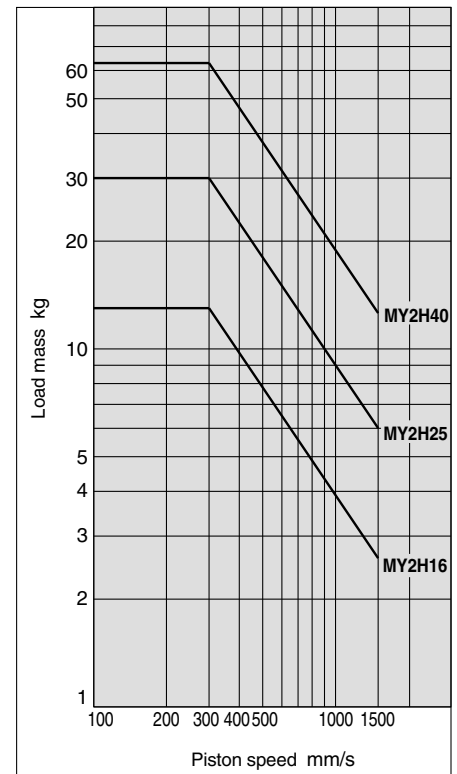
MY2H/m1



MY2H/m2

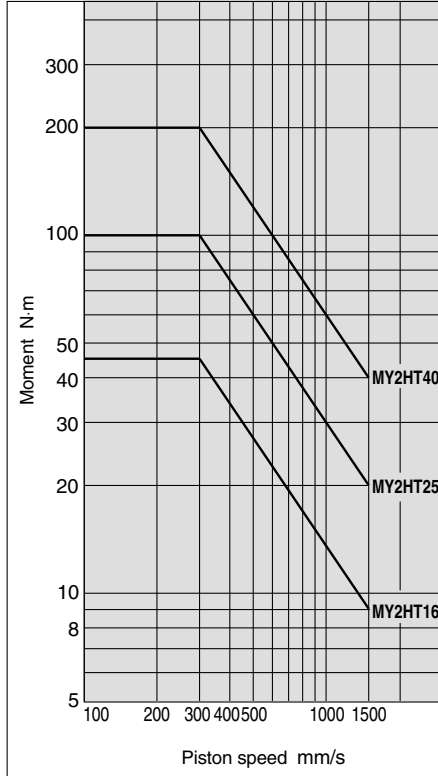


MY2H/m3

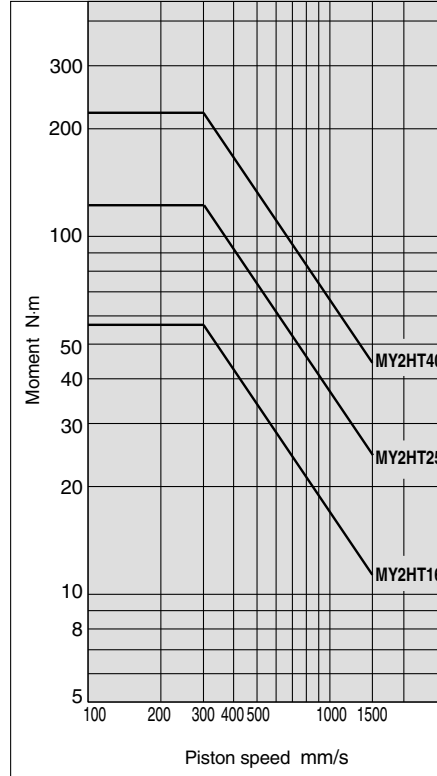


Moment/MY2HT (Double axis)

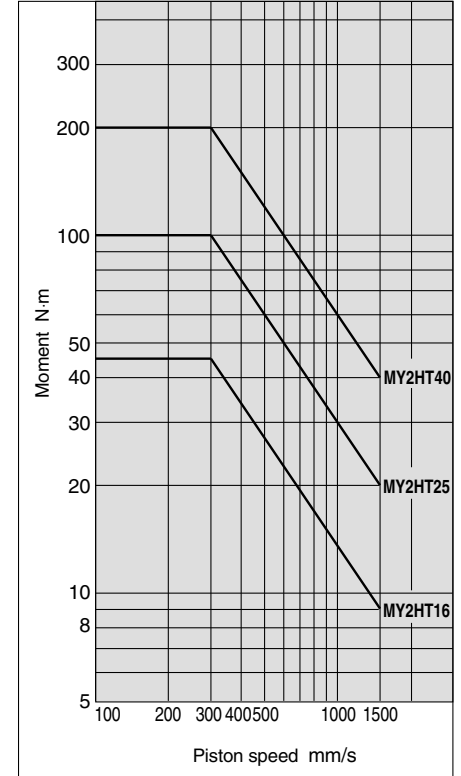
MY2HT/M₁



MY2HT/M₂



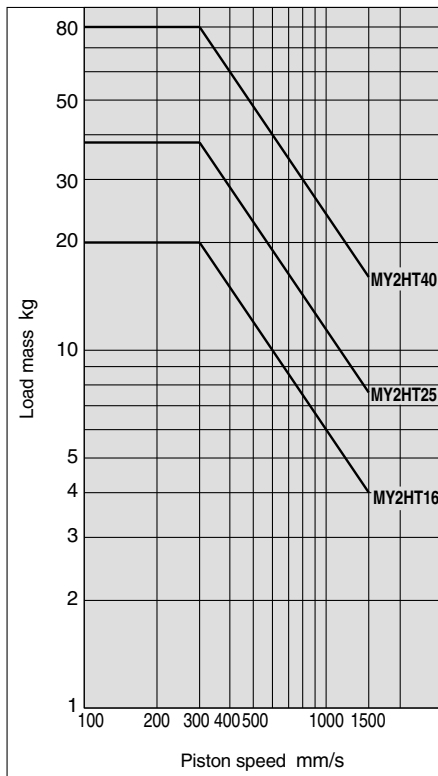
MY2HT/M₃



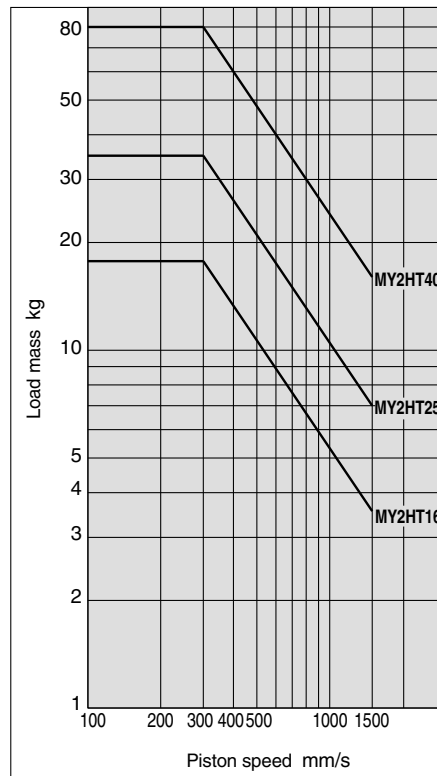
- MY1B
- MY1M
- MY1C
- MY1H
- MY1HT
- MY1□W
- MY2C
- MY2□
- MY3A
- MY3B
- MY3M

Load Mass/MY2HT (Double axis)

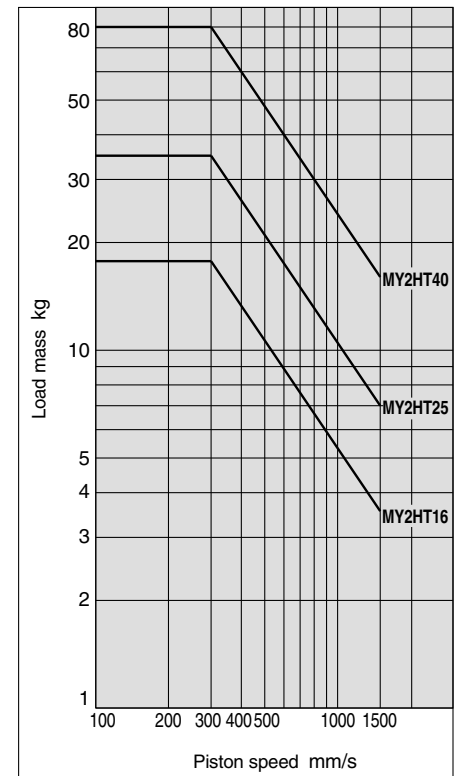
MY2HT/m₁



MY2HT/m₂



MY2HT/m₃



- D-□
- X□
- Individual
- X□
- Technical data

Series MY2

Cushion Capacity

Cushion Selection

<Air cushion>

Air cushions are a standard feature on mechanically jointed rodless cylinders. □

The air cushion mechanism is installed to avoid excessive impact of the piston at the stroke end during high speed operation. The air cushion does not act to decelerate the piston near the stroke end. □

The ranges of load and speed that air cushions can absorb are within the air cushion limit lines shown in the graphs. □

<Stroke adjusting unit with shock absorber>

Use this unit when operating with a load or speed exceeding the air cushion limit line, or when cushioning is necessary because the cylinder stroke is outside of the effective air cushion stroke range due to stroke adjustment. □

L unit

Use this unit when cushioning is necessary outside of the effective air cushion range even if the load and speed are within the air cushion limit line, or when the cylinder is operated in a load and speed range above the air cushion limit line and below the L unit limit line. □

H unit

Use this unit when the cylinder is operated in a load and speed range above the L unit limit line and below the H unit limit line.

⚠ Caution

Do not use a shock absorber and air cushion together.

Air Cushion Stroke

Bore size (mm)	Cushion stroke (mm)
16	12 □
25	15 □
40	24

Stroke Adjusting Unit Holding Bolt Tightening Torque

Bore size (mm) □	Tightening torque (N·m)
16	0.7 □
25	1.8 □
40	5.8

Calculation of Absorbed Energy for Stroke Adjusting Unit with Shock Absorber

Type of impact □	Horizontal	Vertical (downward) □	Vertical (upward) □
Kinetic energy □ E ₁		$\frac{1}{2} m \cdot v^2$	
Thrust energy □ E ₂	F · s	F · s + m · g · s	F · s - m · g · s
Absorbed energy □ E		E ₁ + E ₂	

Symbols □

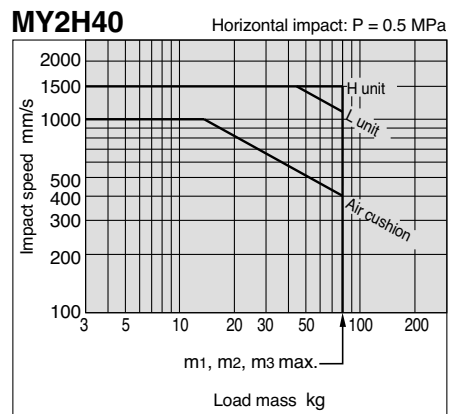
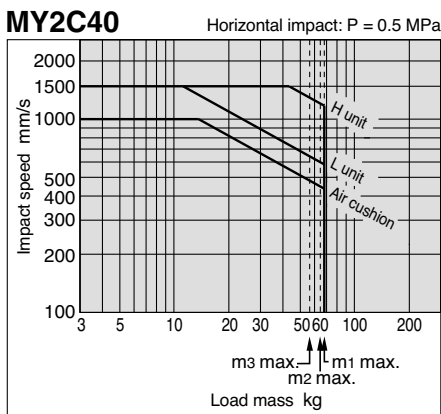
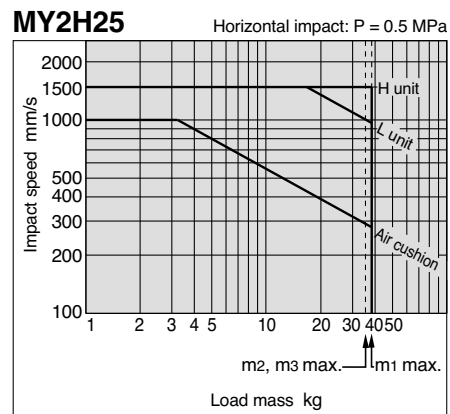
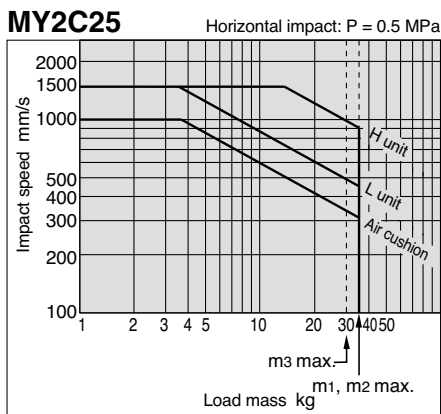
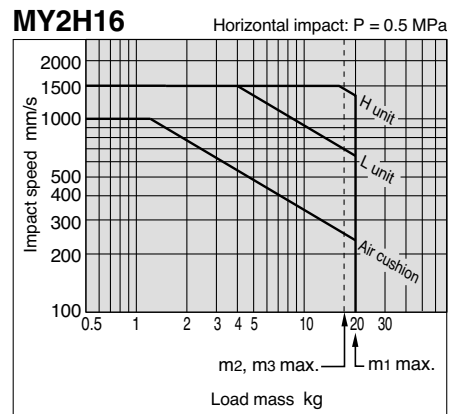
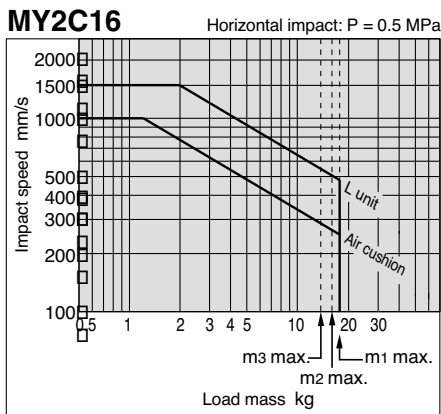
v: Speed of impacting object (m/s) m: Mass of impacting object (kg) □

F: Cylinder thrust (N) g: Gravitational acceleration (9.8 m/s²) □

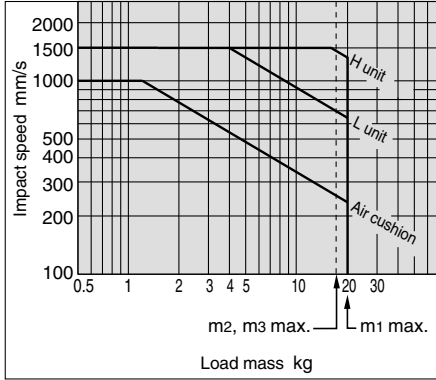
s: Shock absorber stroke (m)

Note) The speed of the impacting object is measured at the time of impact with the shock absorber.

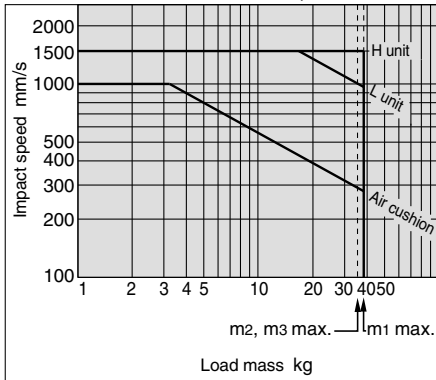
Absorption Capacity of Air Cushion and Stroke Adjusting Units



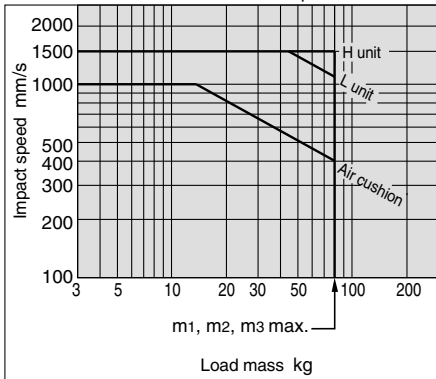
MY2HT16 Horizontal impact: P = 0.5 MPa



MY2HT25 Horizontal impact: P = 0.5 MPa



MY2HT40 Horizontal impact: P = 0.5 MPa



MY1B

MY1M

MY1C

MY1H

MY1HT

MY1□W

MY2C

MY2H□

MY3A

MY3B

MY3M

D-□

-X□

Individual
-X□

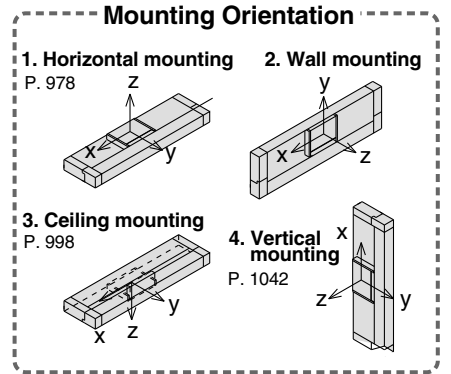
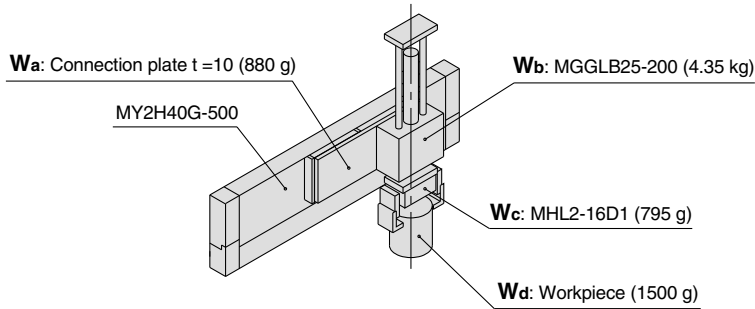
Technical
data

The following are the steps for selection of the series MY2 best suited to your application.

Calculation of Guide Load Factor

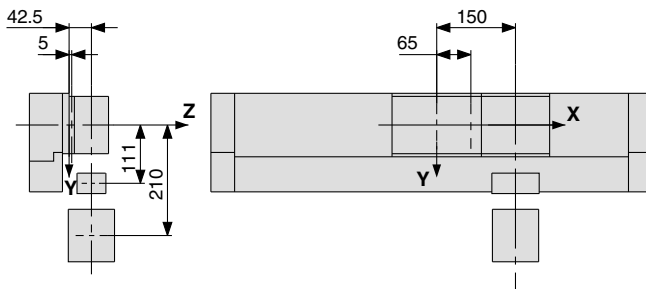
1 Operating Conditions

Cylinder MY2H40G-500
 Average operating speed v_a ... 300 mm/s
 Mounting orientation Wall mounting



Refer to the pages above for actual examples of calculation for each orientation.

2 Load Blocking



Workpiece Mass and Center of Gravity

Workpiece no. W_n	Mass m_n	Center of gravity		
		X-axis X_n	Y-axis Y_n	Z-axis Z_n
Wa	0.88 kg	65 mm	0 mm	5 mm
Wb	4.35 kg	150 mm	0 mm	42.5 mm
Wc	0.795 kg	150 mm	111 mm	42.5 mm
Wd	1.5 kg	150 mm	210 mm	42.5 mm

$n = a, b, c, d$

3 Composite Center of Gravity Calculation

$$m_3 = \sum m_n$$

$$= 0.88 + 4.35 + 0.795 + 1.5 = 7.525 \text{ kg}$$

$$X = \frac{1}{m_3} \times \sum (m_n \times x_n)$$

$$= \frac{1}{7.525} (0.88 \times 65 + 4.35 \times 150 + 0.795 \times 150 + 1.5 \times 150) = 140.1 \text{ mm}$$

$$Y = \frac{1}{m_3} \times \sum (m_n \times y_n)$$

$$= \frac{1}{7.525} (0.88 \times 0 + 4.35 \times 0 + 0.795 \times 111 + 1.5 \times 210) = 53.6 \text{ mm}$$

$$Z = \frac{1}{m_3} \times \sum (m_n \times z_n)$$

$$= \frac{1}{7.525} (0.88 \times 5 + 4.35 \times 42.5 + 0.795 \times 42.5 + 1.5 \times 42.5) = 38.1 \text{ mm}$$

4 Calculation of Load Factor for Static Load

m_3 : Mass

m_3 max (from 1 of graph MY2H/ m_3) = 62 (kg)

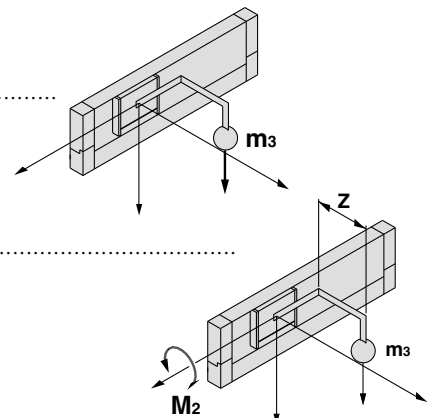
Load factor $\alpha_1 = m_3 / m_3 \text{ max} = 7.525/62 = 0.12$

M_2 : Moment

M_2 max (from 2 of graph MY2H/ M_2) = 50 (N·m)

M_2 = $m_3 \times g \times Z = 7.525 \times 9.8 \times 38.1 \times 10^{-3} = 2.81$ (N·m)

Load factor $\alpha_2 = M_2 / M_2 \text{ max} = 2.81/50 = 0.06$



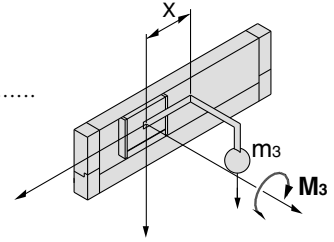
Calculation of Guide Load Factor

M₃: Moment

M₃ max (from 3 of graph MY2H/M₃) = 60 (N·m)

M₃ = m₃ × g × X = 7.525 × 9.8 × 140.1 × 10⁻³ = 10.33 (N·m)

Load factor **α₃ = M₃/M₃ max** = 10.33/60 = **0.17**



5 Calculation of Load Factor for Dynamic Moment

Equivalent load FE at impact

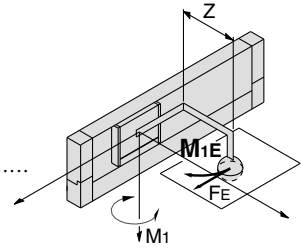
FE = $\frac{1.4}{100} \times 1.4 \times g \times m$ = $\frac{1.4}{100} \times 300 \times 9.8 \times 7.525$ = 309.7 (N)

M_{1E}: Moment

M_{1E} max (from 4 of graph MY2H/M₁ where 1.4va = 420 mm/s) = 42.9 (N·m)

M_{1E} = $\frac{1}{3} \times FE \times Z$ = $\frac{1}{3} \times 309.7 \times 38.1 \times 10^{-3}$ = 3.93 (N·m)

Load factor **α₄ = M_{1E}/M_{1E} max** = 3.93/42.9 = **0.09**

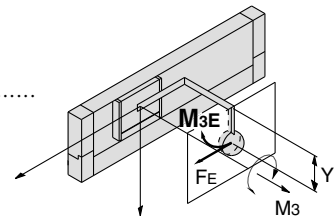


M_{3E}: Moment

M_{3E} max (from 5 of graph MY2H/M₃ where 1.4va = 420 mm/s) = 42.9 (N·m)

M_{3E} = $\frac{1}{3} \times FE \times Y$ = $\frac{1}{3} \times 309.7 \times 53.6 \times 10^{-3}$ = 5.53 (N·m)

Load factor **α₅ = M_{3E}/M_{3E} max** = 5.53/42.9 = **0.13**



6 Sum and Examination of Guide Load Factors

$$\Sigma\alpha = \alpha_1 + \alpha_2 + \alpha_3 + \alpha_4 + \alpha_5 = 0.57 \leq 1$$

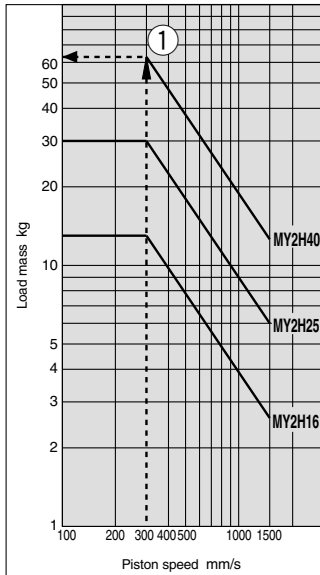
The above calculation is within the allowable value and the selected model can be used.

Select a separate shock absorber.

In an actual calculation, when the sum of guide load factors $\Sigma\alpha$ in the formula above is more than 1, consider decreasing the speed, increasing the bore size, or changing the product series. Also, this calculation can be performed easily with the "SMC Pneumatics CAD System".

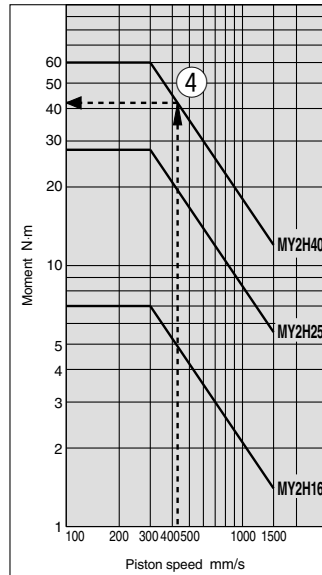
Load Mass

MY2H/m₃

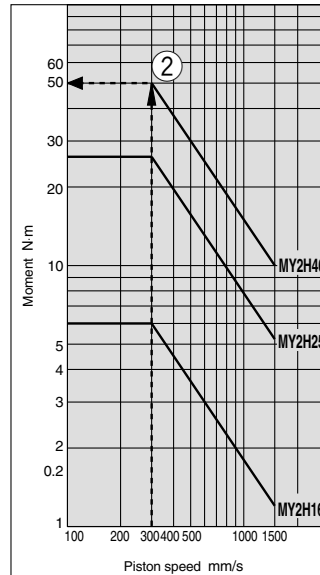


Allowable Moment

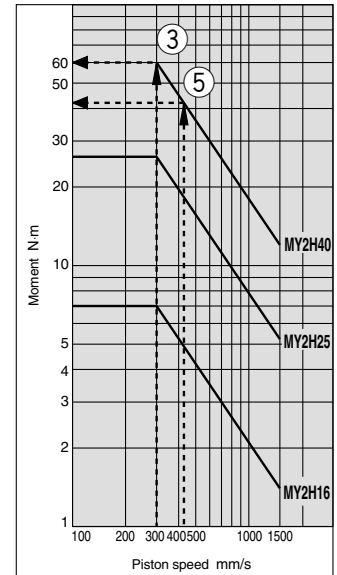
MY2H/M₁



MY2H/M₂



MY2H/M₃



MY1B

MY1M

MY1C

MY1H

MY1HT

MY1□W

MY2C

MY2H□

MY3A

MY3B

MY3M

D-□

-X□

Individual

-X□

Technical data

Mechanically Jointed Rodless Cylinder Cam Follower Guide Type Series MY2C

ø16, ø25, ø40

How to Order

Cam Follower Guide Type **MY2C** **16** **G** - **300** **L** - **M9BW** -

Guide type

C	Cam follower guide
----------	--------------------

Bore size

16	16 mm
25	25 mm
40	40 mm

Thread type

Symbol	Type	Bore size
Nil	M thread	ø16
	Rc	
TN	NPT	ø25, ø40
TF	G	

Piping

G	Centralized piping type (Standard)
----------	------------------------------------

Stroke (mm)
Refer to "Standard Stroke" table.

Auto switch

Nil	Without auto switch (Built-in magnet)
------------	---------------------------------------

* Refer to the table below for the applicable auto switch model.

Stroke adjusting unit position

Nil	Both ends
S	One end

* "S" is applicable for stroke adjusting units L and H.

Stroke adjusting unit

Nil	Without adjusting unit
L	With low load shock absorber
H	With heavy-loaded shock absorber
LH	With one L unit and one H unit each

Number of auto switches

Nil	2 pcs.
S	1 pc.
n	"n" pcs.

Made to Order
Refer to page 1099 for details.

Shock absorbers for L and H units

Bore size (mm) \ Unit type	16	25	40
L unit	RB0806	RB1007	RB1412
H unit	—	RB1412	RB2015

Applicable Auto Switch/Refer to pages 1263 to 1371 for the detailed specifications of auto switches.

Type	Special function	Electrical entry	Indicator light	Wiring (Output)	Load voltage		Auto switch model		Lead wire length (m)				Pre-wired connector	Applicable load			
					DC	AC	Perpendicular entry	In-line entry	0.5 (Nil)	1 (M)	3 (L)	5 (Z)					
Solid state switch	—	Grommet	Yes	3-wire(NPN)	24V	5V,12V	—	M9NV	M9N	●	●	●	○	○	IC circuit	Relay, PLC	
				3-wire(PNP)				M9PV	M9P	●	●	●	○	○			
				2-wire				M9BV	M9B	●	●	●	○	○			—
				3-wire(NPN)				M9NWV	M9NW	●	●	●	○	○			IC circuit
				3-wire(PNP)				M9PwV	M9PW	●	●	●	○	○			IC circuit
				2-wire				M9BwV	M9BW	●	●	●	○	○			—
Reed switch	—	Grommet	Yes	3-wire (NPN equiv.)	24V	5V	—	A96V	A96	●	—	●	—	—	IC circuit	—	
				2-wire				A93V	A93	●	—	●	—	—	—	Relay, PLC	
			No	2-wire				A90V	A90	●	—	●	—	—	—	—	—

* Lead wire length symbols: 0.5 m..... Nil (Example) M9NW
 1 m..... M (Example) M9NWM
 3 m..... L (Example) M9NWL
 5 m..... Z (Example) M9NWZ

* Solid state auto switches marked "○" are produced upon receipt of order.

* Refer to page 1114 for applicable auto switches other than listed above.

* Refer to pages 1328 and 1329 for the details of auto switches with a pre-wired connector.

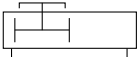
* Auto switches are shipped together (not assembled).

Mechanically Jointed Rodless Cylinder Cam Follower Guide Type **Series MY2C**

Specifications



JIS Symbol



Made to Order Specifications
(Refer to pages 1395 to 1565 for details.)

JIS Symbol	Specification
-XB11	Long stroke type
-X168	Helical insert thread
-X416	Holder mounting bracket I
-X417	Holder mounting bracket II

Bore size (mm)	16	25	40
Fluid	Air		
Action	Double acting		
Operating pressure range	0.1 to 0.8 MPa		
Proof pressure	1.2 MPa		
Ambient and fluid temperature	5 to 60°C		
Cushion	Air cushion, Shock absorber		
Lubrication	Not required (Non-lube)		
Stroke length tolerance	1000 or less $^{+1.8}_0$ 1001 to 3000 $^{+2.8}_0$	2700 or less $^{+1.8}_0$, 2701 to 5000 $^{+2.8}_0$	
Port size	M5 x 0.8	Rc 1/8	Rc 1/4

Stroke Adjusting Unit Specifications

Bore size (mm)	16	25		40	
Unit symbol	L	L	H	L	H
Shock absorber model	RB0806	RB1007	RB1412	RB1412	RB2015
Stroke fine adjusting range (mm)	0 to -5.6	0 to -11.5		0 to -16	
Stroke adjusting range	When exceeding the stroke fine adjusting range: Use the Made to Order Specifications "-X416" and "-X417". (Refer to page 1554 for details.)				

* Fine stroke adjustment range is applicable for one side when mounted on a cylinder.

Shock Absorber Specifications

Model	RB 0806	RB 1007	RB 1412	RB 2015	
Max. energy absorption (J)	2.9	5.9	19.6	58.8	
Stroke absorption (mm)	6	7	12	15	
Max. impact speed (mm/s)	1500	1500	1500	1500	
Max. operating frequency (cycle/min)	80	70	45	25	
Spring force (N)	Extended	1.96	4.22	6.86	8.34
	Compressed	4.22	6.86	15.98	20.50
Operating temperature range (°C)	5 to 60				

* The shock absorber service life is different from that of the MY2C cylinder depending on operating conditions. Refer to the Specific Product Precautions for the replacement period.

Piston Speed

Bore size (mm)	16	25	40
Without stroke adjusting unit	100 to 1000 mm/s ^{Note 1)}		
Stroke adjusting unit	L unit and H unit	100 to 1500 mm/s	

Note 1) When exceeding the air cushion stroke ranges on page 1094, the **piston speed** should be **100 to 200 mm/s**.

Note 2) Use at a piston speed within the absorption capacity range. Refer to page 1094.

Standard Stroke

Bore size (mm)	Standard stroke (mm) *	Maximum manufacturable stroke (mm)
16	100, 200, 300, 400, 500, 600, 700, 800, 900	3000
25, 40	1000, 1200, 1400, 1600, 1800, 2000	5000

* Strokes are manufacturable in 1 mm increments, up to the maximum stroke.
When exceeding a 2000 mm stroke, specify "-XB11" at the end of the model number.
Refer to the Made to Order Specifications on page 1405.

MY1B

MY1M

MY1C

MY1H

MY1HT

MY1□W

MY2C

MY2H□

MY3A

MY3B

MY3M

D-□

-X□

Individual
-X□

Technical
data

Series MY2C

Theoretical Output

Bore size (mm)	Piston area (mm ²)	Operating pressure (MPa)						
		0.2	0.3	0.4	0.5	0.6	0.7	0.8
16	200	40	60	80	100	120	140	160
25	490	98	147	196	245	294	343	392
40	1256	251	377	502	628	754	879	1005

Unit: N

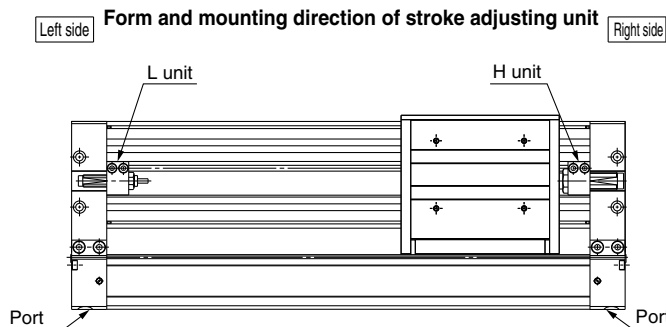
Note) Theoretical output (N) = Pressure (MPa) x Piston area (mm²)

Option

Stroke Adjusting Unit No.

Bore size (mm)		16	25	40
Unit type	Left	MY2H-A16L1	MY2H-A25L1	MY2C-A40L1
	Right	MY2H-A16L2	MY2H-A25L2	MY2C-A40L2
H unit	Left	—	MY2H-A25H1	MY2C-A40H1
	Right	—	MY2H-A25H2	MY2C-A40H2

Note) Port positions are indicated as right and left from the front.



Stroke adjusting unit
Example of LH attachment

Mass

Bore size (mm)	Basic mass	Additional mass per 50mm of stroke	Side support bracket mass (per set)	Stroke adjusting unit mass (per unit)	
				L unit	H unit
16	1.05	0.13	0.01	0.03	—
25	2.59	0.29	0.02	0.06	0.09
40	8.78	0.67	0.04	0.17	0.23

Unit: kg

Calculation method

Example: MY2C25G-300L

Basic mass 2.59 kg

Additional mass 0.29/50 st

Mass of L unit 0.06 kg

Cylinder stroke 300 st

2.59 + 0.29 x 300 ÷ 50 + 0.06 x 2 = Approx. 4.45 kg

Replacement Parts

Drive Unit (Cylinder) Replacement Part No.

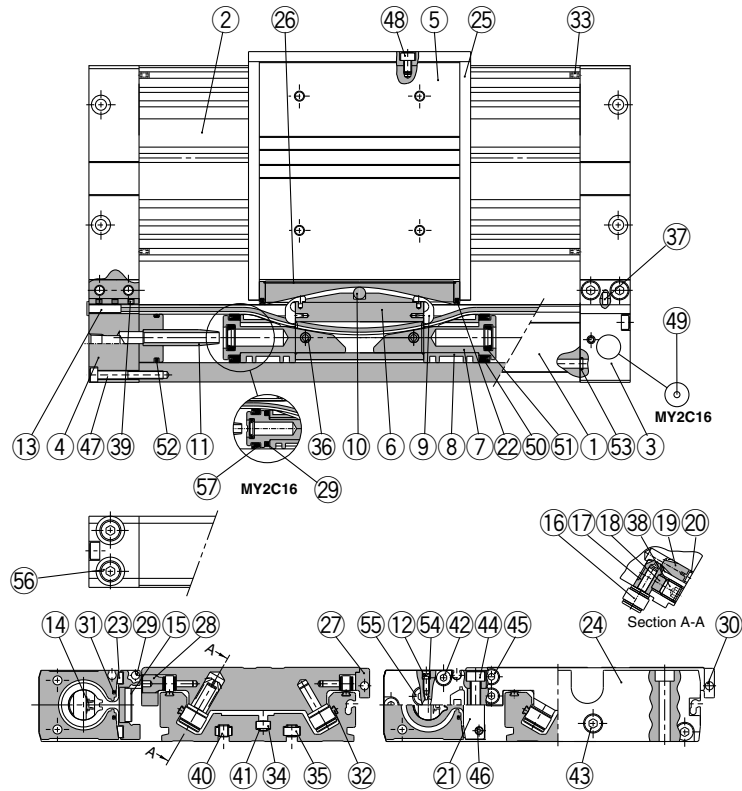
Model		MY2C
Bore size (mm)		
16	MY2BH16G-	Stroke
25	MY2BH25□G-	Stroke
40	MY2BH40□G-	Stroke

Enter a symbol for port thread type inside □.

Note) Order auto switches separately.

Construction

MY2C



Component Parts

No.	Description	Material	Note
1	Cylinder tube	Aluminium alloy	Hard anodized
2	Body	Aluminium alloy	Hard anodized
3	Head cover WR	Aluminium alloy	Hard anodized
4	Head cover WL	Aluminium alloy	Hard anodized
5	Slide table	Aluminium alloy	Hard anodized
6	Piston yoke	Aluminium alloy	Hard anodized
7	Piston	Aluminium alloy	Chromated
8	Wear ring	Special resin	
9	Belt separator	Special resin	
10	Parallel pin	Stainless steel	
11	Cushion ring	Brass	
12	Cushion needle	Rolled steel	Nickel plated
13	Belt clamp	Special resin	
16	Cam follower	—	
17	Eccentric gear	Stainless steel	
18	Gear fixture	Stainless steel	
19	Adjustment gear	Stainless steel	
20	Retaining ring	Stainless steel	
21	End cover	Aluminium alloy	Hard anodized
23	Bearing	Special resin	
24	End plate	Aluminium alloy	Hard anodized
25	Stopper	Carbon steel	Nickel plated after quenching
26	Top cover	Stainless steel	
27	Side cover	Aluminium alloy	Hard anodized
28	Cam follower cap	Aluminium alloy	Hard anodized

No.	Description	Material	Note
29	Magnet	—	
30	Magnet	—	
31	Seal magnet	Rubber magnet	
32	Rail	Hard steel wire material	
33	End spacer	Special resin	
34	Square nut	Carbon steel	Nickel plated
35	Square nut	Carbon steel	Nickel plated
36	Spring pin	Carbon tool steel	Black zinc chromated
37	Parallel pin	Stainless steel	
38	Hexagon socket head set screw	Chrome molybdenum steel	Black zinc chromated
39	Hexagon socket head set screw	Chrome molybdenum steel	Black zinc chromated
40	Hexagon socket head set screw	Chrome molybdenum steel	Nickel plated
41	Hexagon socket head set screw	Chrome molybdenum steel	Nickel plated
42	Hexagon socket head button bolt	Chrome molybdenum steel	Nickel plated
43	Hexagon socket head button bolt	Chrome molybdenum steel	Nickel plated
44	Hexagon socket head button bolt	Chrome molybdenum steel	Nickel plated
45	Hexagon socket head button bolt	Chrome molybdenum steel	Nickel plated
46	Hexagon socket head button bolt	Chrome molybdenum steel	Nickel plated
47	Hexagon socket head button bolt	Chrome molybdenum steel	Nickel plated
48	Hexagon socket head button bolt	Chrome molybdenum steel	Nickel plated
49	Steel ball	Spring steel	Nickel plated
55	Hexagon socket head taper plug	Carbon steel	Nickel plated (Ø16: hexagon socket head plug)
56	Hexagon socket head taper plug	Carbon steel	Nickel plated (Ø16: hexagon socket head plug)
57	Lubretainer	Special resin	

Replacement Parts: Seal Kit

No.	Description	Qty.	MY2C16G	MY2C25G	MY2C40G
14	Seal belt	1	MY16-16A-[Stroke]	MY25-16A-[Stroke]	MY40-16A-[Stroke]
15	Dust seal band	1	MY2H16-16B-[Stroke]	MY2H25-16B-[Stroke]	MY2H40-16B-[Stroke]
54	O-ring	2	ø4 x ø1.8 x ø1.1	ø4 x ø1.8 x ø1.1	ø7.15 x ø3.75 x ø1.7
22	Scraper	2	MY2B16-PS	MY2B25-PS	MY1B40-PS
50	Piston seal	2			
51	Cushion seal	2			
52	Tube gasket	2			
53	O-ring	4			

* Seal kit includes 2, 50, 51, 52 and 53. Order the seal kit based on each bore size.

* Seal kit includes a grease pack (10 g).
When 14 and 15 are shipped as single units, a grease pack (10 g per 1000 strokes) is included.
Order with the following part number when only the grease pack is needed.
Grease pack part number: GR-S-010 (10 g), GR-S-020 (20 g)

MY1B

MY1M

MY1C

MY1H

MY1HT

MY1□W

MY2C

MY2H□

MY3A

MY3B

MY3M

D-□

-X□

Individual

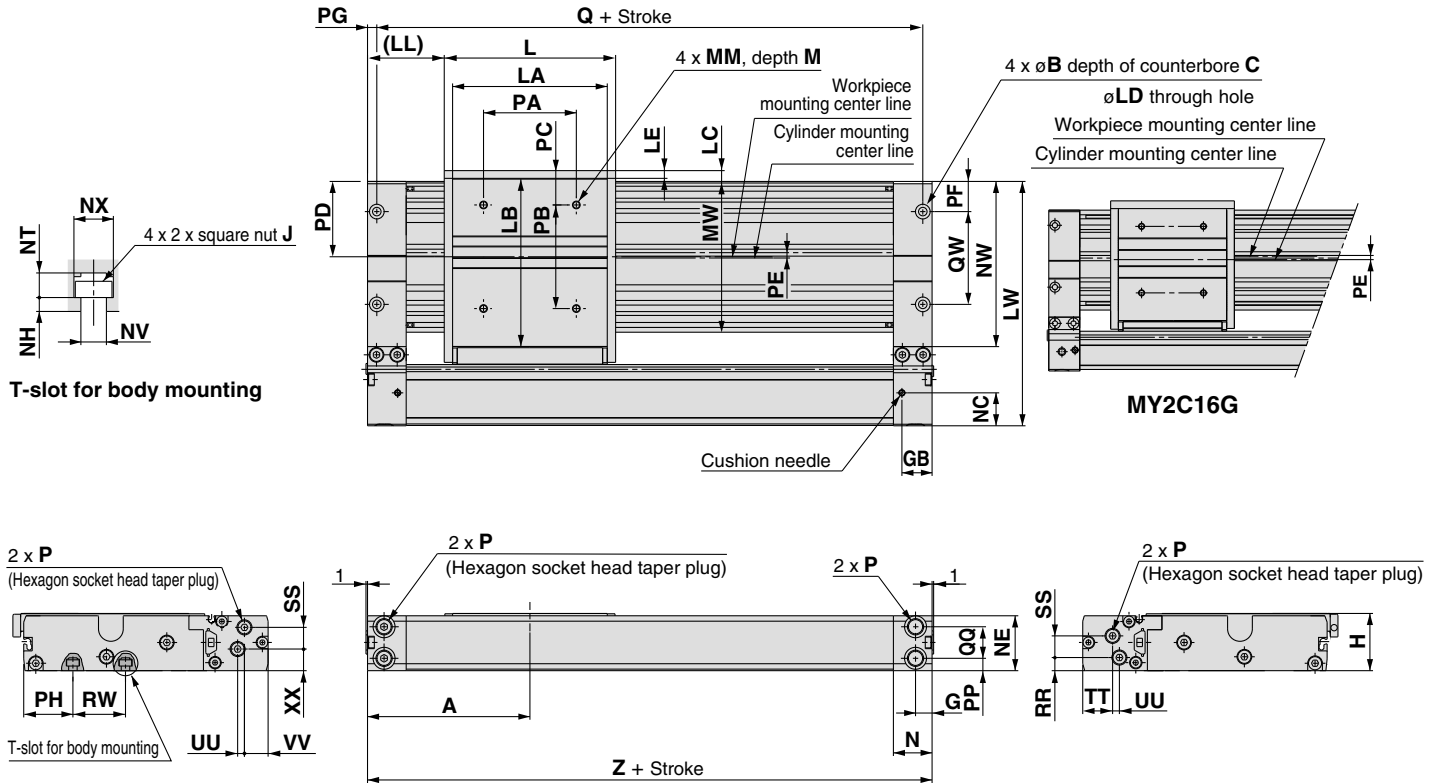
-X□

Technical data

Series MY2C

ø16, ø25, ø40

MY2C Bore size G – Stroke



Model	A	B	C	G	GB	H	L	J	LA	LB	LC	LD	LE	(LL)	LW	M	MM	MW	N	NC	NE	NH	NT
MY2C16G	80	6.5	3.3	8.5	17	28	80	M3 x 0.5	70	72.4	6	3.4	5	40	104	7	M4 x 0.7	64.6	20	14	27	2	3.5
MY2C25G	105	9.5	5.4	10.7	19.5	37	110.8	M5 x 0.8	100	108.7	7	5.5	5	49.6	158	9	M5 x 0.8	97.5	25	21.3	35.5	3	5.3
MY2C40G	165	14	8.6	15.5	31.5	58	180	M6 x 1	158	135.3	7	9	5	75	214	13	M6 x 1	121.5	40	32.4	56.5	4	6.5

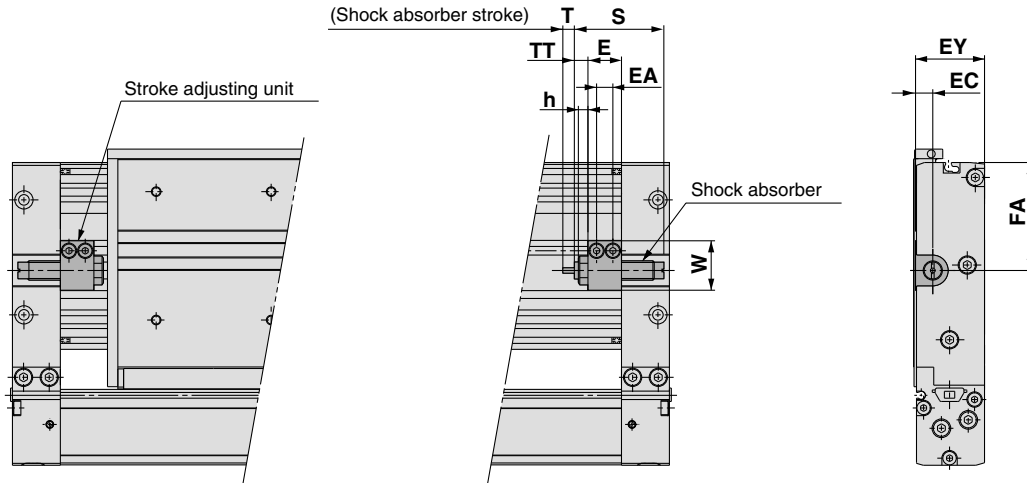
Model	NV	NW	NX	P	PA	PB	PC	PD	PE	PF	PG	PH	PP	Q	QQ	QW	RR	RW	SS	TT	UU	VV	XX	Z
MY2C16G	3.4	69.2	5.8	M5 x 0.8	40	43	16.5	32	2.2	9.8	4	21.3	5.3	152	16.4	40	5.3	22	9.7	12.5	3	10.5	12	160
MY2C25G	5.5	106.8	8.5	1/8	60	67	22.2	48.7	0.8	19.5	6	31.8	8	198	20.4	60	8.5	34	14	19.3	4.4	15.3	14	210
MY2C40G	6.6	135.1	10.5	1/4	100	77	29	60.5	8.5	40.5	9	38	16	312	25.5	57	11	45	21.5	35.4	2	29	23	330

"P" indicates cylinder supply ports. * The plug for "P" MY2C16G is a hexagon socket head plug.

Stroke adjusting unit

Low load shock absorber

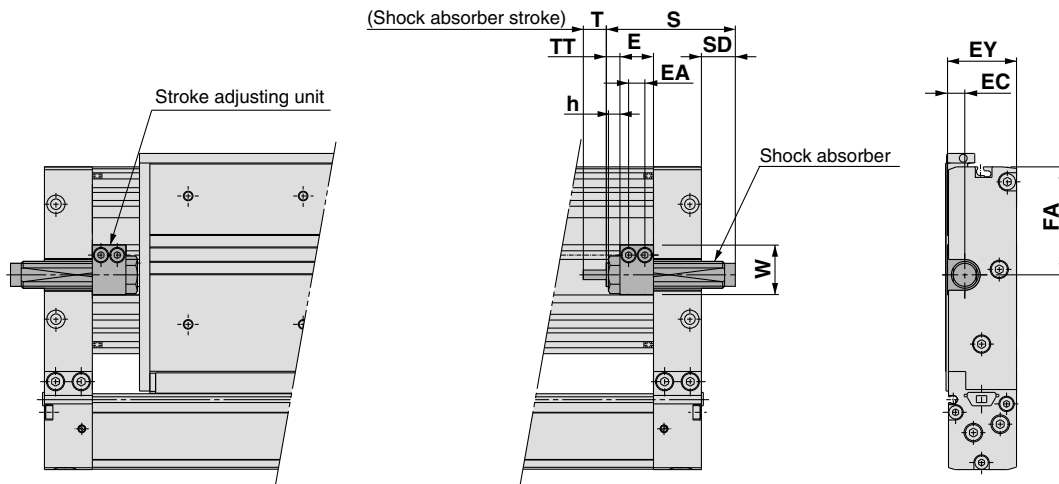
MY2C **Bore size** G – **Stroke** L



Applicable cylinder	E	EA	EC	EY	FA	h	S	T	TT	W	Shock absorber model
MY2C16	14.4	7	6	27	38.5	4	40.8	6	5.6 (Max. 11.2)	16.5	RB0806
MY2C25	17.5	8.5	9	36	56.4	5	46.7	7	7.1 (Max. 18.6)	25.8	RB1007
MY2C40	25	13	13.5	56.5	67.8	6	67.3	12	10 (Max. 26)	38	RB1412

Heavy-loaded shock absorber

MY2C **Bore size** G – **Stroke** H



Applicable cylinder	E	EA	EC	EY	FA	h	S	SD	T	TT	W	Shock absorber model
MY2H25	17.5	8.5	9	36	56.4	6	67.3	17.7	12	7.1 (Max. 18.6)	25.8	RB1412
MY2H40	25	13	13.5	56.5	67.8	6	73.2	—	15	10 (Max. 26)	38	RB2015

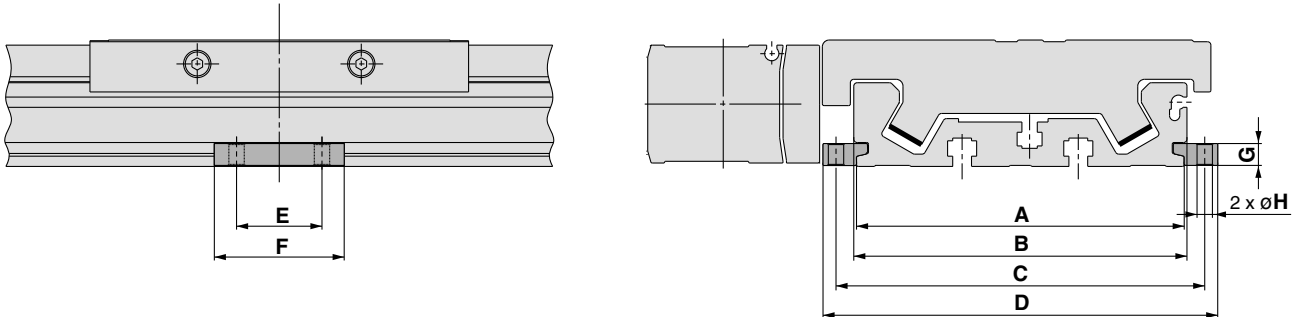
- MY1B
- MY1M
- MY1C
- MY1H
- MY1HT
- MY1□W
- MY2C**
- MY2H□
- MY3A
- MY3B
- MY3M

- D-□
- X□
- Individual
- X□
- Technical data

Series MY2C

Side Support

Side support MYC-S□A



Model	Applicable cylinder	A	B	C	D	E	F	G	øH
MYC-S16A	MY2C16	60.6	64.6	70.6	77.2	15	26	4.9	3.4
MYC-S25A	MY2C25	95.9	97.5	107.9	115.5	25	38	6.4	4.5
MYC-S40A	MY2C40	121.5	121.5	134.5	145.5	45	64	11.7	6.6

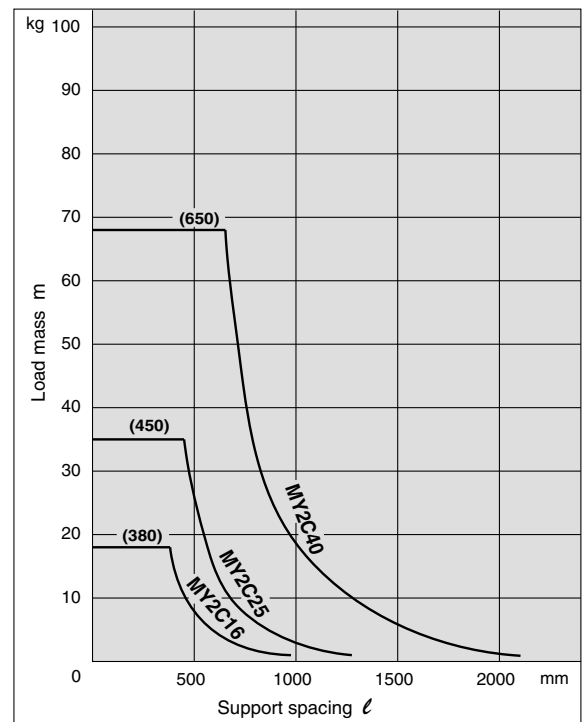
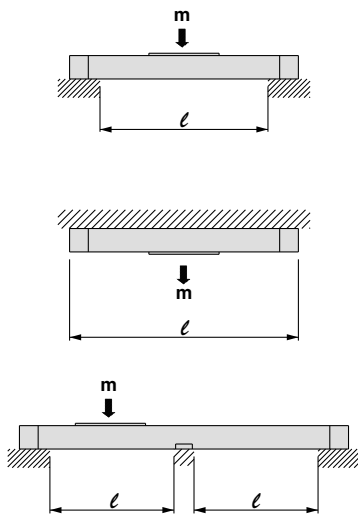
* A set of side supports consists of a left support and a right support.

Guide for Using Side Support

For long stroke operation, the cylinder tube may deflect due to its own mass and/or load mass. In such cases, install a side support at the intermediate stroke position. The spacing (ℓ) of the side support must be no more than the values shown in the graph at right.

⚠ Caution

- ① If the cylinder mounting surfaces are not measured accurately, using a side support may cause poor operation. Make sure to level the cylinder tube when mounting the cylinder. For long stroke operation involving vibration and impact, the use of side supports is recommended even if the support spacing is within the allowable limits shown in the graph.
- ② Support brackets are not for mounting. They should be used only to provide support.



Mechanically Jointed Rodless Cylinder Linear Guide Type

Series MY2H/HT

ø16, ø25, ø40

How to Order

Linear Guide Type **MY2 H 16** **G** - **300 L** - **M9NW** -

Guide type

H	Linear guide, Single axis
HT	Linear guide, Double axis

Bore size

16	16 mm
25	25 mm
40	40 mm

Thread type

Symbol	Type	Bore size
Nil	M thread	ø16
	Rc	
TN	NPT	ø25, ø40
TF	G	

Piping

G	Centralized piping type (Standard)
----------	------------------------------------

Stroke (mm)

Refer to "Standard Stroke" table.

Made to Order
Refer to page 1106 for details.

Number of auto switches

Nil	2 pcs.
S	1 pc.
n	"n" pcs.

Auto switch type

Nil	Without auto switch (Built-in magnet)
------------	---------------------------------------

* Refer to the table below for the applicable auto switch model.

Stroke adjusting unit position

Nil	Both ends
S	One end

* "S" is applicable for stroke adjusting units L and H.

Stroke adjusting unit

Nil	Without adjusting unit
L	With low load shock absorber
H	With high load shock absorber
LH	With one L unit and one H unit each

Shock absorbers for L and H units

Model	Bore size Unit type (mm)	16	25	40
		MY2H	L unit	RB0806
	H unit	RB1007	RB1412	RB2015
MY2HT	L unit	RB1007	RB1412	RB2015
	H unit	RB1412	RB2015	RB2725

Applicable Auto Switch/Refer to pages 1263 to 1371 for the detailed specifications of auto switches.

Type	Special function	Electrical entry	Indicator light	Wiring (Output)	Load voltage			Auto switch model		Lead wire length (m)				Pre-wired connector	Applicable load		
					DC	AC	Perpendicular entry	In-line entry	0.5 (Nil)	1 (M)	3 (L)	5 (Z)	IC circuit		Relay, PLC		
Solid state switch	—	Grommet	Yes	3-wire(NPN)	24V	5V, 12V	—	M9NV	M9N	●	●	●	○	○	—	IC circuit	
				3-wire(PNP)				M9PV	M9P	●	●	●	○	○			
				2-wire				M9BV	M9B	●	●	●	○	○			
	3-wire(NPN)			M9NWV				M9NW	●	●	●	○	○	—			IC circuit
	3-wire(PNP)			M9P WV				M9PW	●	●	●	○	○				
	2-wire			M9B WV				M9BW	●	●	●	○	○				
Reed switch	—	Grommet	Yes	3-wire (NPN equiv.)	24V	5V	—	A96V	A96	●	—	●	—	—	—	IC circuit	
				2-wire				A93V	A93	●	—	●	—	—	—	—	Relay, PLC
			No			100 V		A90V	A90	●	—	●	—	—	—	—	

* Lead wire length symbols: 0.5 m..... Nil (Example) M9NW
 1 m..... M (Example) M9NWM
 3 m..... L (Example) M9NWL
 5 m..... Z (Example) M9NWZ

* Solid state auto switches marked "○" are produced upon receipt of order.

* Refer to page 1114 for applicable auto switches other than listed above.

* Refer to pages 1328 and 1329 for the details of auto switches with a pre-wired connector.

* Auto switches are shipped together (not assembled).

MY1B

MY1M

MY1C

MY1H

MY1HT

MY1□W

MY2C

MY2□□

MY3A

MY3B

MY3M

D-□

-X□

Individual

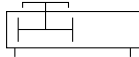
-X□

Technical data

Series MY2H/HT



JIS Symbol



Made to Order Specifications
(Refer to pages 1395 to 1565 for details.)

JIS Symbol	Specification
-XB10	Intermediate stroke (Using exclusive body)
-XB11	Long stroke type
-XB20	Stroke adjusting unit with adjusting bolt
-X168	Helical insert thread
-X416	Holder mounting bracket I
-X417	Holder mounting bracket II

Specifications

Bore size (mm)	16	25	40
Fluid	Air		
Action	Double acting		
Operating pressure range	0.1 to 0.8MPa		
Proof pressure	1.2MPa		
Ambient and fluid temperature	5 to 60°C		
Cushion	Air cushion, Shock absorber		
Lubrication	Not required (Non-lube)		
Stroke length tolerance	+1.8 0		
Port size	M5 x 0.8	Rc 1/8	Rc 1/4

Stroke Adjusting Unit Specifications

Bore size (mm)		16		25		40	
Unit symbol		L	H	L	H	L	H
Shock absorber model	MY2H	RB0806	RB1007	RB1007	RB1412	RB1412	RB2015
	MY2HT	RB1007	RB1412	RB1412	RB2015	RB2015	RB2725
Stroke fine adjusting range (mm)		0 to -5.6		0 to -11.5		0 to -16	
Stroke adjusting range		When exceeding the stroke fine adjusting range: Use the Made to Order Specifications "-X416" and "-X417". (Refer to page 1554 for details.)					

* Fine stroke adjustment range is applicable for one side when mounted on a cylinder.

Shock Absorber Specifications

Model	RB 0806	RB 1007	RB 1412	RB 2015	RB 2725	
Max. energy absorption (J)	2.9	5.9	19.6	58.8	147	
Stroke absorption (mm)	6	7	12	15	25	
Max. impact speed (mm/s)	1500	1500	1500	1500	1500	
Max. operating frequency (cycle/min)	80	70	45	25	10	
Spring force (N)	Extended	1.96	4.22	6.86	8.34	8.83
	Compressed	4.22	6.86	15.98	20.50	20.01
Operating temperature range (°C)		5 to 60				

* The shock absorber service life is different from that of the MY2H/HT cylinder depending on operating conditions. Refer to the Specific Product Precautions for the replacement period.

Piston Speed

Bore size (mm)		16	25	40
Without stroke adjusting unit		100 to 1000 mm/s ^{Note 1)}		
Stroke adjusting unit	L unit and H unit	100 to 1500 mm/s		

Note 1) When exceeding the air cushion stroke ranges on page 1094, the **piston speed** should be **100 to 200 mm/s**.

Note 2) Use at a piston speed within the absorption capacity range. Refer to page 1094.

Standard Stroke

Bore size (mm)	Standard stroke (mm) *	Maximum manufacturable stroke (mm)
16	50, 100, 150, 200, 250, 300,	1000
25, 40	350, 400, 450, 500, 550, 600	1500

* Strokes are manufacturable in 1 mm increments, up to the maximum stroke. However, add "-XB10" to the end of the part number for non-standard strokes from 51 to 599. Also when exceeding a 600 mm stroke, specify "-XB11" at the end of the model number. Refer to the Made to Order Specifications on page 1405.

Mechanically Jointed Rodless Cylinder Linear Guide Type *Series MY2H/HT*

Theoretical Output

Unit: N

Bore size (mm)	Piston area (mm ²)	Operating pressure (MPa)						
		0.2	0.3	0.4	0.5	0.6	0.7	0.8
16	200	40	60	80	100	120	140	160
25	490	98	147	196	245	294	343	392
40	1256	251	377	502	628	754	879	1005

Note) Theoretical output (N) = Pressure (MPa) x Piston area (mm²)

Mass

Unit: kg

Model	Bore size (mm)	Basic mass	Additional mass per 50 mm of stroke	Stroke adjusting unit mass (per unit)	
				L unit	H unit
MY2H	16	0.86	0.22	0.03	0.04
	25	2.35	0.42	0.06	0.09
	40	6.79	0.76	0.16	0.22
MY2HT	16	1.27	0.31	0.04	0.08
	25	3.70	0.61	0.10	0.18
	40	10.05	1.13	0.27	0.46

Calculation method

Example: **MY2H25G-300L**

Basic mass 2.35 kg

Additional mass 0.42/50 st

Mass of L unit 0.06 kg

Cylinder stroke 300 st

2.35 + 0.42 x 300 ÷ 50 + 0.06 x 2 = Approx. 4.99 kg

Option

Stroke Adjusting Unit No.

Model	Bore size (mm)	Unit type	16	25	40
			16	25	40
MY2H	L unit	Left	MY2H-A16L1	MY2H-A25L1	MY2H-A40L1
		Right	MY2H-A16L2	MY2H-A25L2	MY2H-A40L2
	H unit	Left	MY2H-A16H1	MY2H-A25H1	MY2H-A40H1
		Right	MY2H-A16H2	MY2H-A25H2	MY2H-A40H2
MY2HT	L unit	Left	MY2HT-A16L1	MY2HT-A25L1	MY2HT-A40L1
		Right	MY2HT-A16L2	MY2HT-A25L2	MY2HT-A40L2
	H unit	Left	MY2HT-A16H1	MY2HT-A25H1	MY2HT-A40H1
		Right	MY2HT-A16H2	MY2HT-A25H2	MY2HT-A40H2

Note) Port positions are indicated as right and left from the front.

Replacement Parts

Drive Unit (Cylinder) Replacement Part No.

Bore size (mm)	Model	MY2H	MY2HT
	16		MY2BH16G-Stroke
25		MY2BH25□G-Stroke	
40		MY2BH40□G-Stroke	

Enter a symbol for port thread type inside □.

Note) Order auto switches separately.

MY1B

MY1M

MY1C

MY1H

MY1HT

MY1□W

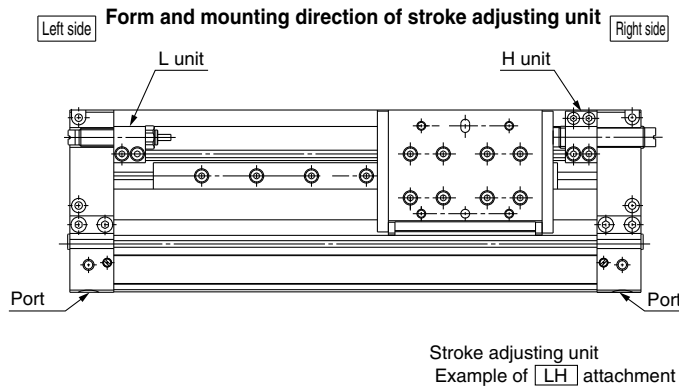
MY2C

MY2H□

MY3A

MY3B

MY3M



D-□

-X□

Individual

-X□

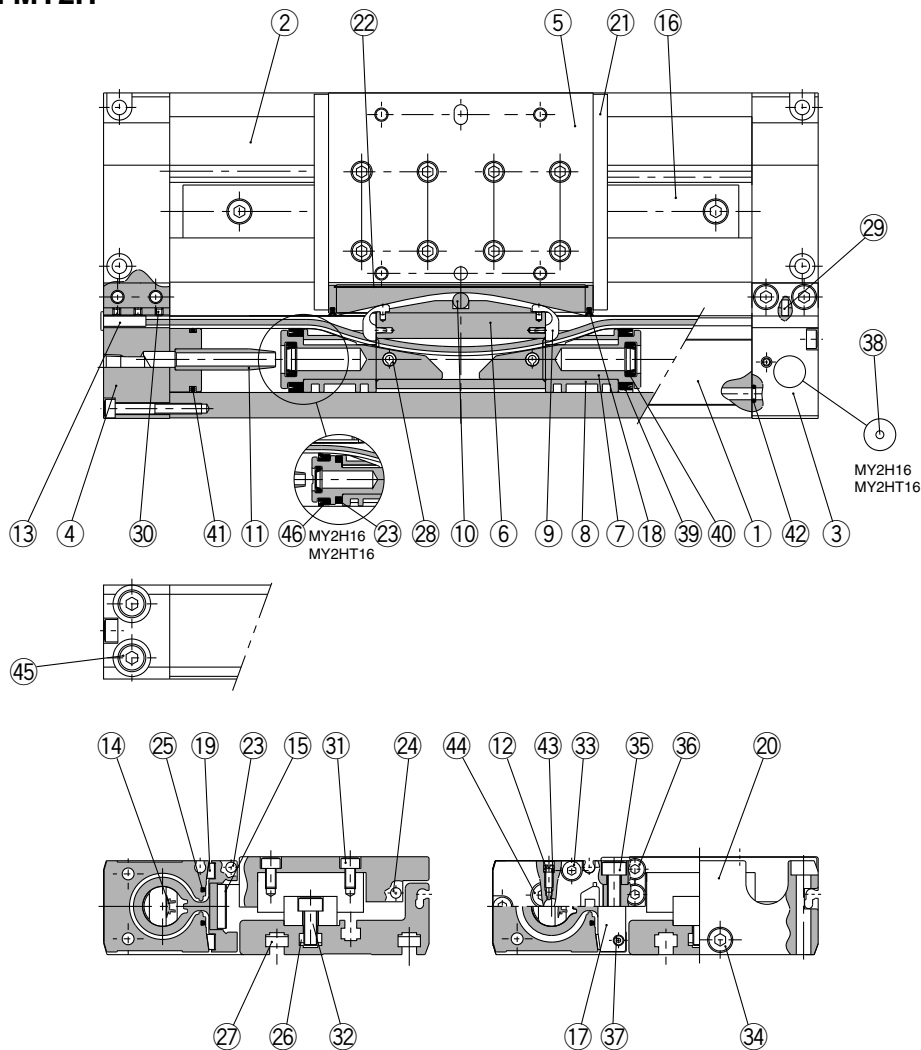
Technical

data

Series MY2H/HT

Construction

Single axis type: MY2H

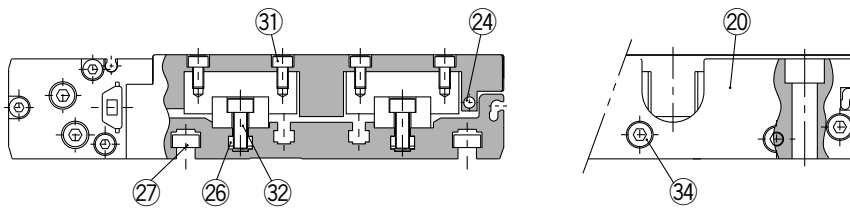
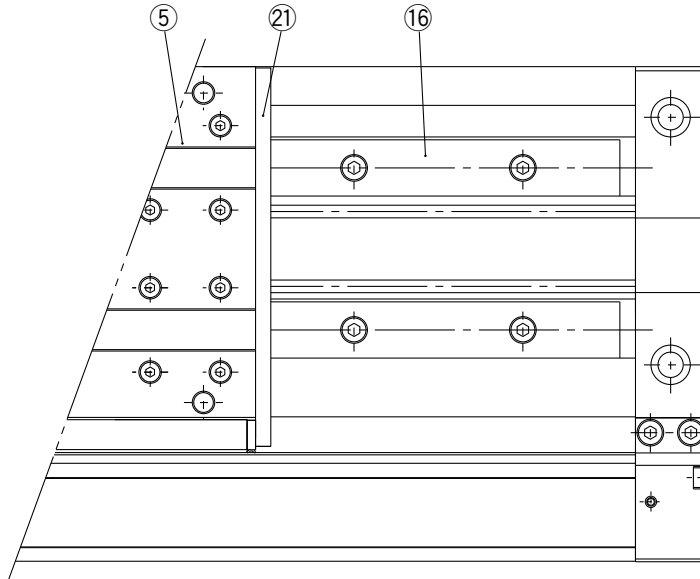


Component Parts

No.	Description	Material	Note
1	Cylinder tube	Aluminum alloy	Hard anodized
2	Body	Aluminum alloy	Anodized
3	Head cover WR	Aluminum alloy	Hard anodized
4	Head cover WL	Aluminum alloy	Hard anodized
5	Slide table	Aluminum alloy	Hard anodized
6	Piston yoke	Aluminum alloy	Hard anodized
7	Piston	Aluminum alloy	Chromated
8	Wear ring	Special resin	
9	Belt separator	Special resin	
10	Parallel pin	Stainless steel	
11	Cushion ring	Brass	
12	Cushion needle	Rolled steel	Nickel plated
13	Belt clamp	Special resin	
16	Guide	—	
17	End cover	Aluminum alloy	Hard anodized
19	Bearing	Special resin	
20	End plate	Aluminum alloy	Hard anodized
21	Stopper	Carbon steel	Nickel plated after quenching
22	Top cover	Stainless steel	

No.	Description	Material	Note
23	Magnet	—	
24	Magnet	—	
25	Seal magnet	Rubber magnet	
26	Square nut	Carbon steel	Nickel plated
27	Square nut	Carbon steel	Nickel plated
28	Spring pin	Carbon tool steel	Black zinc chromated
29	Parallel pin	Stainless steel	
30	Hexagon socket head set screw	Chrome molybdenum steel	Black zinc chromated
31	Hexagon socket head button bolt	Chrome molybdenum steel	Nickel plated
32	Hexagon socket head button bolt	Chrome molybdenum steel	Nickel plated
33	Hexagon socket head button bolt	Chrome molybdenum steel	Nickel plated
34	Hexagon socket head button bolt	Chrome molybdenum steel	Nickel plated
35	Hexagon socket head button bolt	Chrome molybdenum steel	Nickel plated
36	Hexagon socket head button bolt	Chrome molybdenum steel	Nickel plated
37	Hexagon socket head button bolt	Chrome molybdenum steel	Nickel plated
38	Steel ball	Spring steel	Nickel plated
44	Hexagon socket head taper plug	Carbon steel	Nickel plated (ø16: Hexagon socket head plug)
45	Hexagon socket head taper plug	Carbon steel	Nickel plated (ø16: Hexagon socket head plug)
46	Lubretainer	Special resin	

Double axis type: MY2HT



- MY1B
- MY1M
- MY1C
- MY1H
- MY1HT
- MY1□W
- MY2C
- MY2H□**
- MY3A
- MY3B
- MY3M

Replacement Parts: Seal Kit

No.	Description	Qty.	MY2H16G/MY2HT16G	MY2H25G/MY2HT25G	MY2H40G/MY2HT40G
14	Seal belt	1	MY16-16A-[Stroke]	MY25-16A-[Stroke]	MY40-16A-[Stroke]
15	Dust seal band	1	MY2H16-16B-[Stroke]	MY2H25-16B-[Stroke]	MY2H40-16B-[Stroke]
43	O-ring	2	ø4 x ø1.8 x ø1.1	ø4 x ø1.8 x ø1.1	ø7.15 x ø3.75 x ø1.7
18	Scraper	2			
39	Piston seal	2			
40	Cushion seal	2			
41	Tube gasket	2			
42	O-ring	4			
			MY2B16-PS	MY2B25-PS	MY1B40-PS

* Seal kit includes 18, 39, 40, 41 and 42. Order the seal kit based on each bore size.

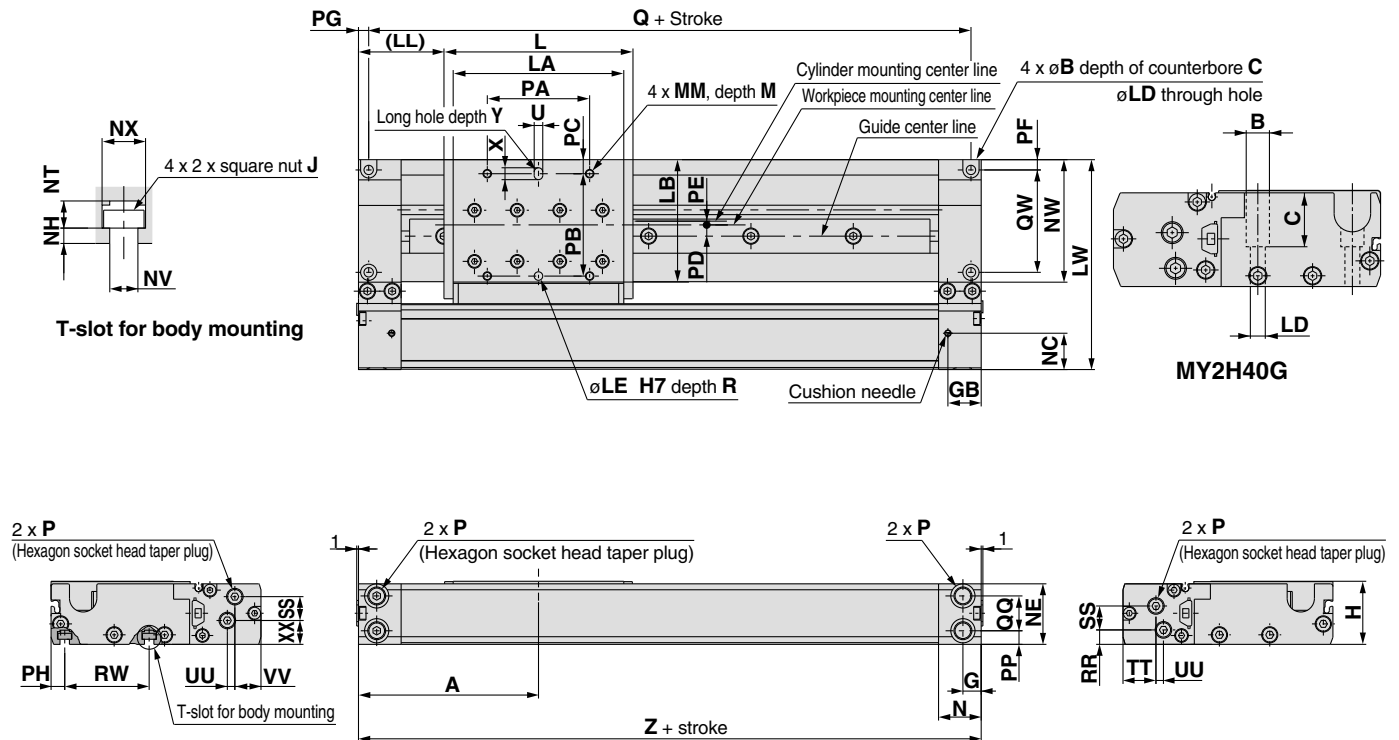
* Seal kit includes a grease pack (10 g).
When 14 and 15 are shipped as single units, a grease pack (20 g) is included.
Order with the following part number when only the grease pack is needed.
Grease pack part number: GR-S-010 (10 g) , GR-S-020 (20 g)

- D-□
- X□
- Individual -X□
- Technical data

Series MY2H/HT

Single Axis Type: $\varnothing 16$, $\varnothing 25$, $\varnothing 40$

MY2H Bore size G – Stroke



(mm)

Model	A	B	C	G	GB	H	L	J	LA	LB	LD	LE	(LL)	LW	M	MM	N	NC	NE	NH	NT	NV	NW	NX	P
MY2H16G	80	6.5	3.3	8.5	17	28	80	M3 x 0.5	70	50.4	3.4	4	40	83	7	M4 x 0.7	20	14	27	2	3.5	3.4	48.2	5.8	M5 x 0.8
MY2H25G	105	9.5	5.4	10.7	19.5	37	110.8	M5 x 0.8	100	71.7	5.5	5	49.6	123	9	M5 x 0.8	25	21.3	35.5	3	5.3	5.5	71.8	8.5	1/8
MY2H40G	165	14	32.5	15.5	31.5	58	180	M6 x 1	158	80.3	9	6	75	161	13	M6 x 1	40	32.4	56.5	4	6.5	6.6	82.1	10.5	1/4

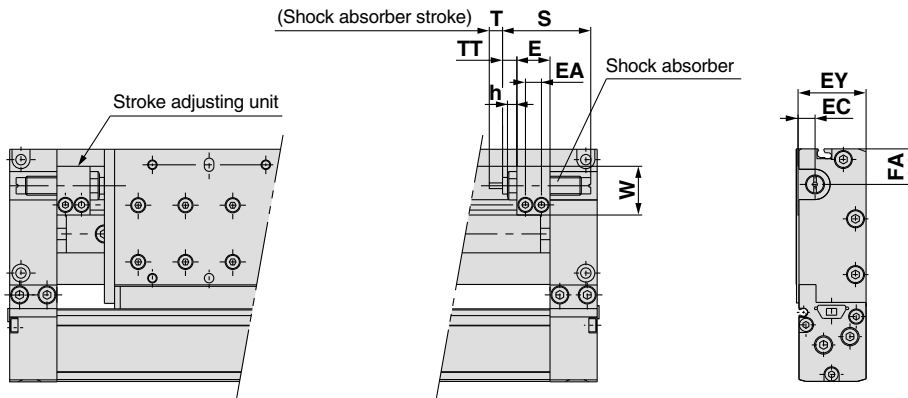
Model	PA	PB	PC	PD	PE	PF	PG	PH	PP	Q	QQ	QW	R	RR	RW	SS	TT	U	UU	VV	X	XX	Y	Z
MY2H16G	40	40	7.2	2.8	3.7	3.5	4	5.1	5.3	152	16.4	40	5	5.3	40	9.7	12.5	4	3	10.5	6	12	5	160
MY2H25G	60	60	8.2	6.6	2.7	5.5	6	7.5	8	198	20.4	60	5	8.5	50	14	19.3	5	4.4	15.3	7.5	14	5	210
MY2H40G	100	70	5.5	8.5	5	17	9	9.5	16	312	25.5	57	8	11	53.5	21.5	35.4	6	2	29	9	23	8	330

* "P" indicates cylinder supply ports. * The plug for "P" MY2H16G is a hexagon socket head plug.

Stroke adjusting unit

Low load shock absorber

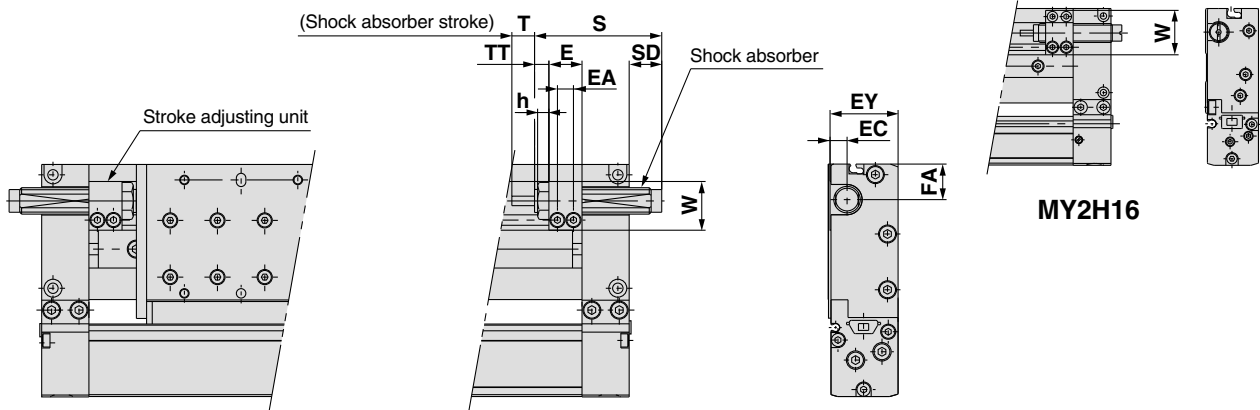
MY2H G – L



Applicable cylinder	E	EA	EC	EY	FA	h	S	T	TT	W	Shock absorber model
MY2H16	14.4	7	6	27	12.5	4	40.8	6	5.6 (Max. 11.2)	16.5	RB0806
MY2H25	17.5	8.5	9	36	19.3	5	46.7	7	7.1 (Max. 18.6)	25.8	RB1007
MY2H40	25	13	13	57	17	6	67.3	12	10 (Max. 26)	38	RB1412

Heavy-loaded shock absorber

MY2H G – H



Applicable cylinder	E	EA	EC	EY	FA	h	S	SD	T	TT	W	Shock absorber model
MY2H16	14.4	7	6	27	12.5	—	46.7	6.7	7	5.6 (Max. 11.2)	23.5	RB1007
MY2H25	17.5	8.5	9	36	19.3	6	67.3	17.7	12	7.1 (Max. 18.6)	25.8	RB1412
MY2H40	25	13	13	57	17	6	73.2	—	15	10 (Max. 26)	38	RB2015

MY1B

MY1M

MY1C

MY1H

MY1HT

MY1□W

MY2C

MY2H□

MY3A

MY3B

MY3M

D-□

-X□

Individual

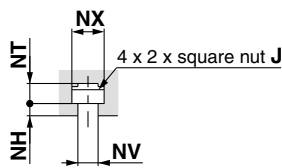
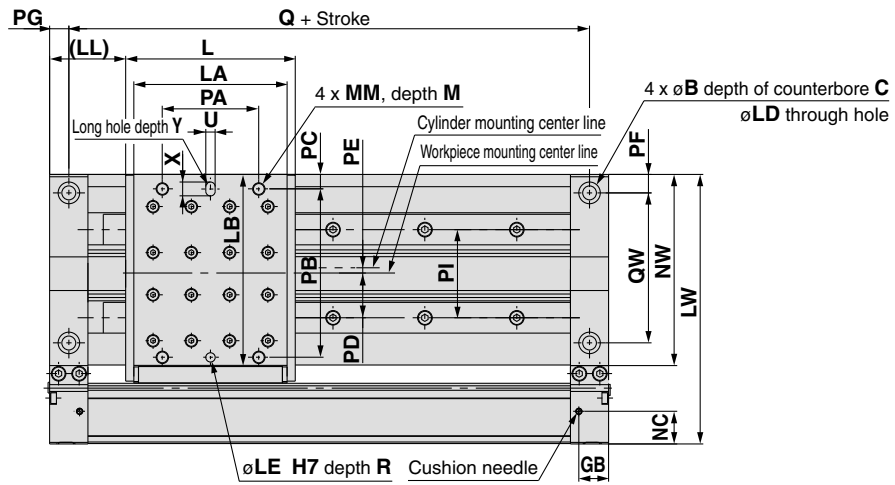
-X□

Technical data

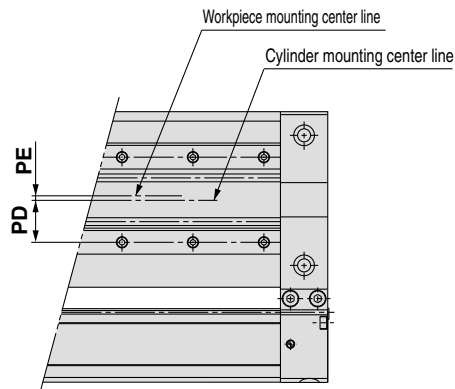
Series MY2H/HT

Double Axis Type: $\varnothing 16$, $\varnothing 25$, $\varnothing 40$

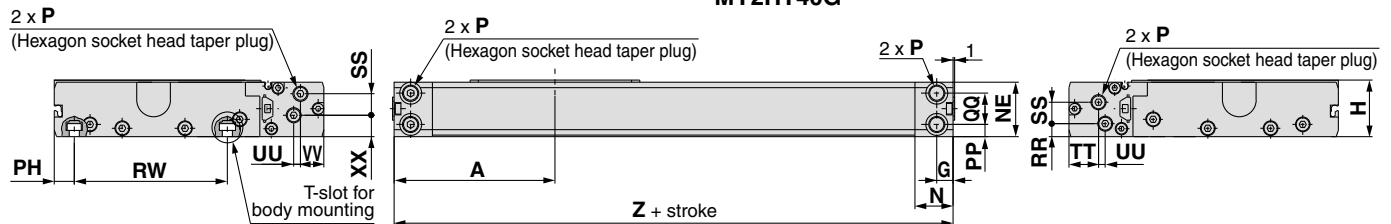
MY2HT Bore size G – Stroke



T-slot for body mounting



MY2HT40G



Model	A	B	C	G	GB	H	L	J	LA	LB	LD	LE	(LL)	LW	M	MM	N	NC	NE	NH	NT
MY2HT16G	80	9.5	5.4	8.5	17	28	80	M4 x 0.7	70	87.4	5.5	5	40	120	9	M5 x 0.8	20	14	27	3	4.7
MY2HT25G	105	14	8.6	10.7	19.5	37	110.8	M6 x 1	100	124.7	9	6	49.6	176	12	M8 x 1.25	25	21.3	35.5	4	6.5
MY2HT40G	165	17.5	10.8	15.5	31.5	58	180	M8 x 1.25	158	148.3	11	8	75	229	16	M10 x 1.5	40	32.4	56.5	5	9

Model	NV	NW	NX	P	PA	PB	PC	PD	PE	PF	PG	PH	PI	PP	Q	QQ	QW	R	RR	RW	SS	TT
MY2HT16G	4.5	85.2	7.3	M5 x 0.8	44	80	4	23	1	10	10	10.2	41	5.3	140	16.4	66	5	5.3	69	9.7	12.5
MY2HT25G	6.6	124.8	10.5	1/8	63	110	9.4	29.2	3.4	12	12.5	13	57.6	8	185	20.4	98	8	8.5	100	14	19.3
MY2HT40G	9	150.1	14	1/4	113	132	8.5	35.5	0.5	20	20	18.5	72	16	290	25.5	110	12	11	116	21.5	35.4

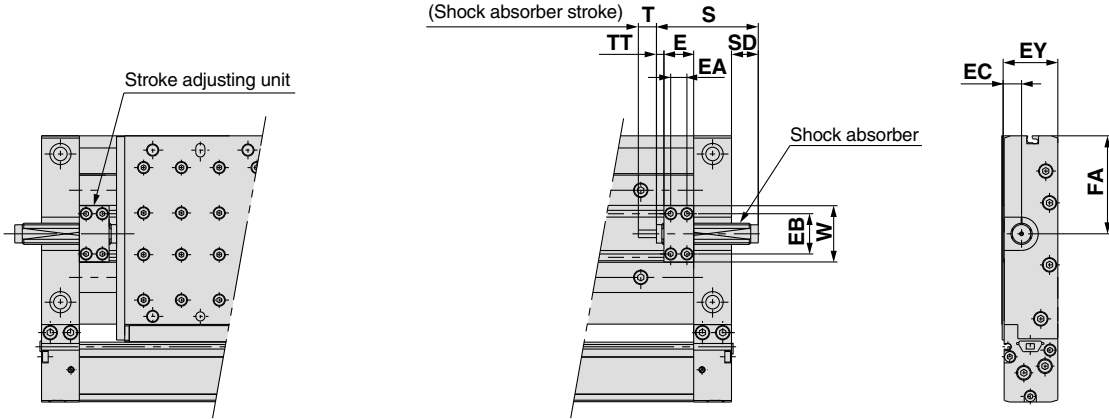
Model	U	UU	VV	X	XX	Y	Z
MY2HT16G	5	3	10.5	7	12	5	160
MY2HT25G	6	4.4	15.3	9	14	8	210
MY2HT40G	8	2	29	12	23	12	330

"P" indicates cylinder supply ports. * The plug for "P" MY2HT16G is a hexagon socket head plug.

Stroke adjusting unit

Low load shock absorber

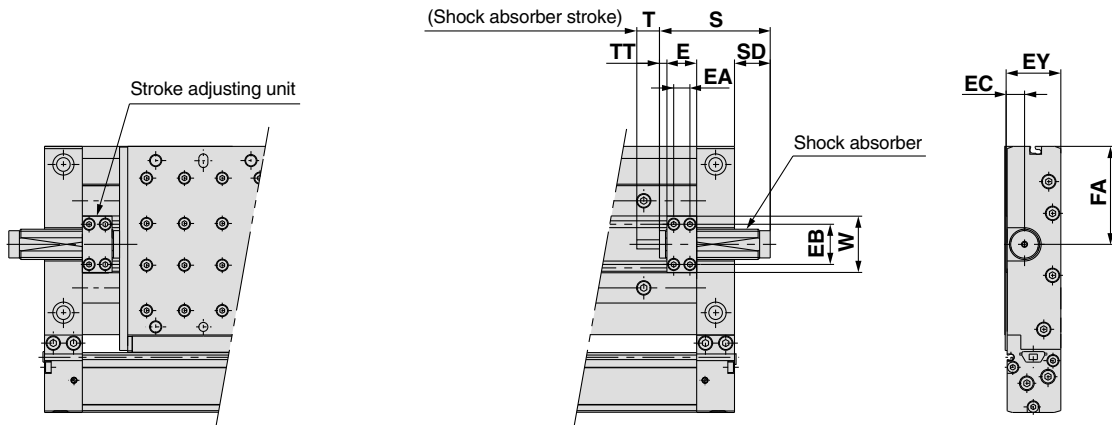
MY2HT **Bore size** G – **Stroke** L



Applicable cylinder	E	EA	EB	EC	EY	FA	S	SD	T	TT	W	Shock absorber model
MY2HT16	14.4	7	21	8	27	46.5	46.7	6.7	7	5.6 (Max. 11.2)	28.6	RB1007
MY2HT25	19.7	10.7	26.6	11.2	36	64.8	67.3	17.7	12	4.9 (Max. 16.4)	37.2	RB1412
MY2HT40	29.1	15.1	37	17.2	57	74.5	73.2	—	15	5.9 (Max. 21.9)	51.6	RB2015

Heavy-loaded shock absorber

MY2HT **Bore size** G – **Stroke** H



Applicable cylinder	E	EA	EB	EC	EY	FA	S	SD	T	TT	W	Shock absorber model
MY2HT16	14.4	7	21	8	27	46.5	67.3	27.3	12	5.6 (Max. 11.2)	28.6	RB1412
MY2HT25	19.7	10.7	26.6	11.2	36	64.8	73.2	23.6	15	4.9 (Max. 16.4)	37.2	RB2015
MY2HT40	29.1	15.1	37	17.2	57	74.5	99	24	25	5.9 (Max. 21.9)	51.6	RB2725

MY1B

MY1M

MY1C

MY1H

MY1HT

MY1□W

MY2C

MY2H□

MY3A

MY3B

MY3M

D-□

-X□

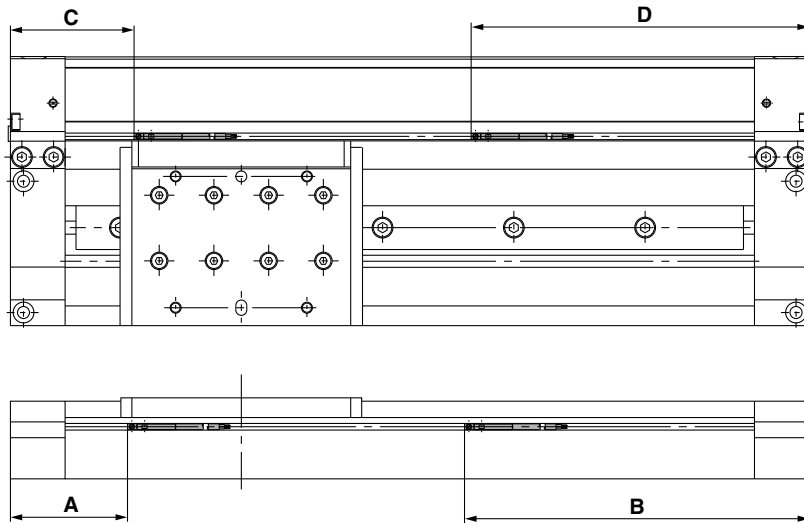
Individual
-X□

Technical
data

Series MY2

Proper Auto Switch Mounting Position (Detection at stroke end)

Note) The operating range is a standard including hysteresis, and is not guaranteed. There may be large variations depending on the surrounding environment (variations on the order of $\pm 30\%$).



D-A9□, D-A9□V

Series model	A	B	Operating range
MY2C16	44	116	11
MY2H16	46	114	
MY2HT16	70	90	
MY2C/H/HT25	54	156	
MY2C/H/HT40	85	245	

Series model	C	D	Operating range
MY2C/H/HT16	27.6	132.4	6.5
MY2C/H/HT25	69	141	11
MY2C/H/HT40	90.2	239.8	

D-M9□, D-M9□V, D-M9□W, D-M9□WV

Series model	A	B	Operating range
MY2C16	48	112	8.5
MY2H16	50	110	
MY2HT16	74	86	
MY2C/H/HT25	58	152	
MY2C/H/HT40	89	241	

Series model	C	D	Operating range
MY2C/H/HT16	31.6	128.4	4
MY2C/H/HT25	73	137	8.5
MY2C/H/HT40	94.2	235.8	

* Adjust the auto switch after confirming the operating conditions in the actual setting.

Besides the models listed in How to Order, the following auto switches are applicable.

- * For solid state auto switches, auto switches with a pre-wired connector are also available. Refer to pages 1328 and 1329 for details.
- * Normally closed (NC = b contact) solid state auto switches (D-F9G/F9H types) are also available. Refer to page 1290 for details.



Series MY2 Specific Product Precautions 1

Be sure to read before handling. Refer to front matters 54 and 55 for Safety Instructions and pages 3 to 11 for Actuator and Auto Switch Precautions.

Selection

Warning

1. Be sure to confirm the specifications.

Products included in this catalog are designed to be used exclusively for the industrial compressed air systems. Do not use them outside the range of pressure and temperature listed in the specifications since it may damage the products or cause malfunctions (Refer to specifications.).

When using fluid other than compressed air, contact with SMC.

Caution

1. When using a cylinder with long strokes, implement an intermediate support.

When using a cylinder with long strokes, implement an intermediate support to prevent the tube from sagging and being deflected by vibration or an external load.

Refer to the Guide for Side Support Application (Series MY2C) on page 1104.

2. For intermediate stops, use a dual-side pressure control circuit.

Since the mechanically jointed rodless cylinders have a unique seal structure, slight external leakage may occur. Controlling intermediate stops with a 3 position valve cannot hold the stopping position of the slide table (slider). The speed at the restarting state also may not be controllable. Use the dual-side pressure control circuit with a PAB-connected 3 position valve for intermediate stops.

3. Constant speed

Since the mechanically jointed rodless cylinders have a unique seal structure, a slight speed change may occur. For applications that require constant speed, select an applicable equipment for the level of demand.

4. Load factor of 0.5 or less

When the load factor is high against the cylinder output, it may adversely affect the cylinder (condensation, etc.) and cause malfunctions. Select a cylinder to make the load factor less than 0.5. (Mainly when using an external guide)

5. Cautions on less frequent operation

When the cylinder is used extremely infrequently, operation may be interrupted in order for anchoring and a change lubrication to be performed or service life may be reduced.

6. Consider uncalculated loads such as piping, cableveyor, etc., when selecting a load moment

Calculation does not include the external acting force of piping, cableveyor, etc. Select load factors taking into account the external acting force of piping, cableveyor, etc.

7. Accuracy

The mechanical jointed rodless cylinder does not guarantee traveling parallelism. When accuracy in traveling parallelism and a middle position of stroke is required, please consult with SMC.

MY1B

MY1M

MY1C

MY1H

MY1HT

MY1□W

MY2C

MY2H□

MY3A

MY3B

MY3M

D-□

-X□

Individual

-X□

Technical data



Series MY2 Specific Product Precautions 2

Be sure to read before handling. Refer to front matters 54 and 55 for Safety Instructions and pages 3 to 11 for Actuator and Auto Switch Precautions.

Mounting

⚠ Caution

1. Do not apply a strong impact or moment on the slide table (slider).

Since the slide table (slider) is supported by precision bearings, do not subject it to strong impact or excessive moment when mounting workpieces. □

2. When connecting to a load which has an external guide mechanism, use a discrepancy absorption mechanism.

A mechanically jointed rodless cylinder can be used with a direct load within the allowable range for each guide type, however, align carefully when connecting to a load with an external guide mechanism. □

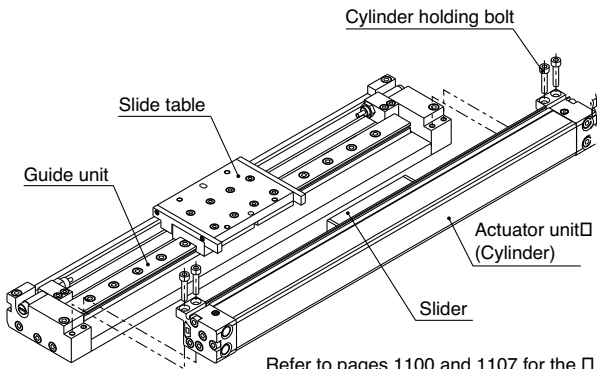
Mount the external guide mounting brackets and floating brackets in a place where the required degree of freedom for the floating Y and Z axes can be secured. □

The thrust transmission area of the floating bracket must be fixed so that it does not partially contact the body. □

* Refer to the Coordinates and Moment in Model Selection on page 1089 for the details of floating Y and Z axes. □

3. Attaching and detaching the actuator unit (cylinder)

When detaching the actuator unit, remove the four cylinder holding bolts and take the actuator unit off the guide unit. When attaching the actuator unit, insert the slider into the slide table on the guide unit, and tighten the four holding bolts equally. Since loosened holding bolts may cause damage or malfunction, be sure to secure them tightly.



Refer to pages 1100 and 1107 for the □ actuator unit (cylinder) replacement □ part numbers.

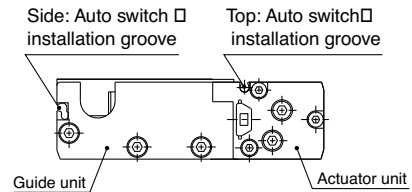
4. Auto Switch Mounting

The series MY2 can be equipped with auto switches on the top of the actuator unit (cylinder) and on the side of the guide unit, but use caution in the following cases. □

<Mounting an auto switch on the top of the actuator unit (cylinder)>

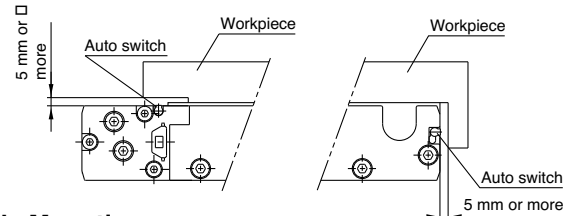
For auto switches with perpendicular electrical entry, the lead wire may interfere with the workpiece depending on the workpiece mounting type and shape. □

Be sure to allow a clearance in order to keep the lead wire from interfering with the workpiece.



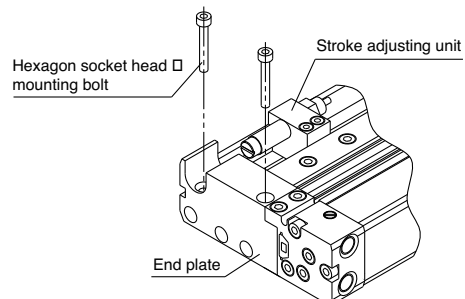
5. Workpiece Mounting

When mounting a magnetic workpiece, the auto switch may stop working due to a loss of magnetic force in the cylinder depending on the mounting position. Allow a clearance of 5 mm or more between the auto switch and workpiece.



6. Body Mounting

When mounting MY2H40G with stroke adjusting unit from the top, move the stroke adjusting unit and secure the body with the end plate mounting holes. After mounting, return the stroke adjusting unit to the stroke end and secure it again.



7. Do not generate negative pressure in the cylinder tube.

Take precautions under operating conditions in which negative pressure is generated inside the cylinder by external forces or inertial forces. Air leakage may occur due to separation of the seal belt. Do not generate negative pressure in the cylinder by forcibly moving it with an external force during the trial operation or dropping it with self-mass under the non-pressure state, etc. When the negative pressure is generated, slowly move the cylinder by hand and move the stroke back and forth. After doing so, if air leakage still occurs, please consult with SMC.



Series MY2 Specific Product Precautions 3

Be sure to read before handling. Refer to front matters 54 and 55 for Safety Instructions and pages 3 to 11 for Actuator and Auto Switch Precautions.

Mounting

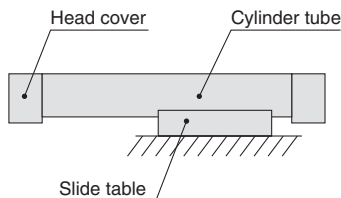
⚠ Caution

11. Do not mount cylinders as they are twisted.

When mounting, be sure for a cylinder tube not to be twisted. The flatness of the mounting surface is not appropriate, the cylinder tube is twisted, which may cause air leakage due to the detachment of a seal belt, damage a dust seal band, and cause malfunctions.

12. Do not mount a slide table on the fixed equipment surface.

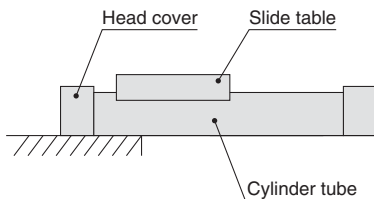
It may cause damage or malfunctions since an excessive load is applied to the bearing.



Mounting with a slide table (slider)

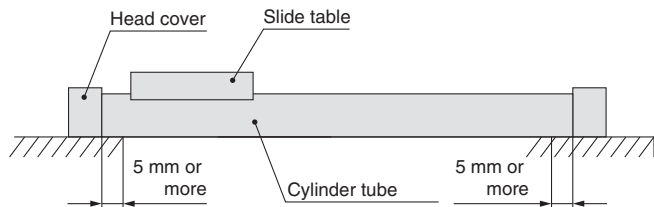
13. Consult with SMC when mounting in a cantilevered way.

Since the cylinder body deflects, it may cause malfunctions. Please consult with SMC when using it this way.



Mounting in a cantilevered way

14. Fixed parts of the cylinder on both ends must have at least 5 mm of contact between where the bottom of the cylinder tube and the equipment surface.



15. Consider uncalculated loads such as piping, cableveyor, etc., when selecting a load moment

Calculation does not include the external acting force of piping, cableveyor, etc. Select load factors taking into account the external acting force of piping, cableveyor, etc.

Handling

⚠ Caution

1. Do not unnecessarily alter the guide adjustment setting.

The adjustment of the guide is preset and does not require re-adjustment under normal operating conditions. Therefore, do not unnecessarily alter the guide adjustment setting.

2. Avoid operation that causes negative pressure inside the cylinder.

Take precautions under operating conditions in which negative pressure is increased inside the cylinder by external forces or inertial forces. Air leakage may occur due to separation of the seal belt.

3. Do not get your hands caught during cylinder operation.

For the cylinder with a stroke adjusting unit, the space between the slide table and stroke adjusting unit is very small, and your hands may get caught. When operating without a protective cover, be careful not to get your hands caught.

4. Do not operate with the stroke adjusting unit fixed in an intermediate position.

When the stroke adjusting unit is fixed in an intermediate position, slippage can occur depending on the amount of energy released at the time of an impact. In such cases, the use of the adjusting bolt mounting brackets, available per made-to-order specifications -X416 and -X417, is recommended.

For other lengths, please consult with SMC.

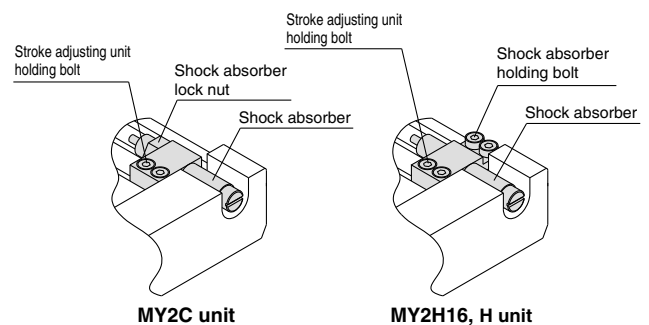
<Securing the unit body>

The unit body is secured by equally tightening the two stroke adjusting unit holding bolts. (See drawings below.)

<Stroke adjustment of shock absorber>

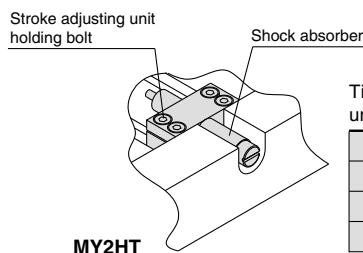
For MY2C and MY2H

Loosen the shock absorber lock nut (shock absorber holding bolts for MY2H16, H unit), and adjust the stroke by rotating the shock absorber. After the adjustment, tighten the lock nut (holding bolts) to secure the shock absorber.



For MY2HT

Loosen the two unit holding bolts on the shock absorber side, rotate the shock absorber and adjust the stroke. After the adjustment, secure the shock absorber by tightening the unit holding bolts equally.



Tightening torque for stroke adjusting unit holding bolts N·m

Bore size (mm)	Tightening torque
16	0.7
25	1.8
40	5.8

MY1B

MY1M

MY1C

MY1H

MY1HT

MY1□W

MY2C

MY2H□

MY3A

MY3B

MY3M

D-□

-X□

Individual

-X□

Technical data



Series MY2 Specific Product Precautions 4

Be sure to read before handling. Refer to front matters 54 and 55 for Safety Instructions and pages 3 to 11 for Actuator and Auto Switch Precautions.

Operating Environment

Warning

1. Do not use in environments where the cylinder will come in contact with coolants, cutting oil, water drops, adhesive foreign particles, dust, etc., and do not operate the cylinder with compressed air that contains drainage and foreign matter.

Foreign matter or liquids on the cylinder interior or exterior can wash away the lubricating grease, which can lead to deterioration and damage of the dust seal band and seal materials, causing a danger of malfunction.

When operating in locations with exposure to water, oil drops, or dust, provide protection such as a cover to prevent direct contact with the cylinder, or mount the dust seal band surface downwards, and operate it with clean compressed air.

2. Carry out cleaning and grease application suitable for the operating environment.

Carry out cleaning regularly when using in an operating environment in which the product is likely to get dirty.

After cleaning, be sure to apply grease to the top side of the cylinder tube and the rotating part of the dust seal band. Apply grease to these parts regularly even if not after cleaning. Please consult with SMC for the cleaning of the slide table (slider) interior and grease application.

Service Life and Replacement Period of Shock Absorber

Caution

1. Allowable operating cycle under the specifications set in this catalog is shown below.

1.2 million times RB08□□

2 million times RB10□□ to RB2725

Note) Specified service life (suitable replacement period) is the value at room temperature (20 to 25 °C). The period may vary depending on the temperature and other conditions. In some cases the absorber may need to be replaced before the allowable operating cycle above.

Centralized Piping Port Variations

Caution

Head cover piping connection can be freely selected to best suit different piping conditions.

Applicable cylinder	Port variation
MY2C16/25/40 MY2H16/25/40 MY2HT16/25/40	<p style="text-align: center;">Slide table operating direction</p>