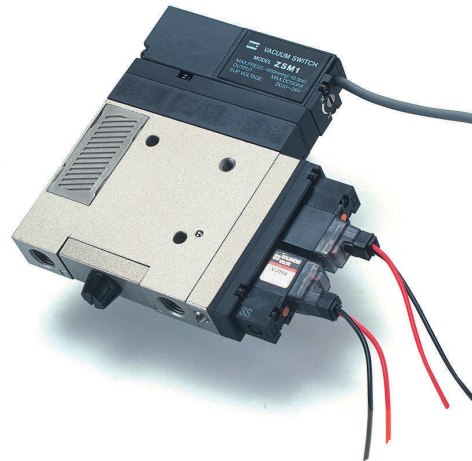


VACUUM EJECTOR SERIES NZM

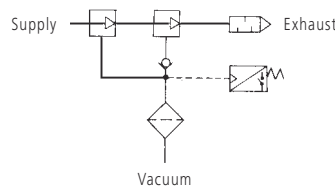
- ✓ All in one vacuum system
- ✓ Two stage nozzle design
- ✓ Suction flow rate 40% higher than traditional designs
- ✓ Silencer and suction filter
- ✓ Optional air supply and vacuum release valve
- ✓ Optional diaphragm or solid state vacuum switch
- ✓ Manifold mountable version



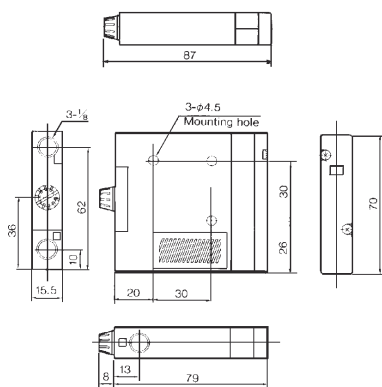
TECHNICAL SPECIFICATIONS

Fluid	Air
Max Operating Pressure	7 Bar / 100PSI
Operating Pressure	2 ~ 5.5 Bar / 30~80PSI
Operating Temperature	5 ~ 50°C (with valve) 40~120°F
	5 ~ 60°C (w/o valve) 40~140°F
Operating Valve (Air Supply & Release Valve)	Main: Poppet Valve
	Pilot: VJ114
Switch	Solid State Type ZSE1-0•••
	Diaphragm State Type ZSM1-0•••
Suction Filter	30µm PE (Polyethylene)
Lubrication	Forbidden
Solenoid Supply	24V DC

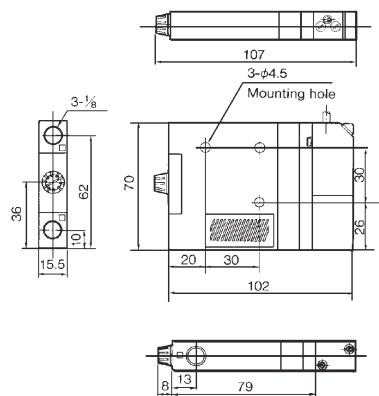
SYMBOLS



DIMENSIONS BASIC TYPE



DIMENSIONS WITH VACUUM SWITCH



HOW TO ORDER

(N)ZM VACUUM EJECTOR



NOZZLE DIAMETER

- 05 ...0.5mm
- 07 ...0.7mm
- 10 ...1.0mm
- 13 ...1.3mm

TYPE

- 2Body Ported
- 4Manifold Type-Common SUP
- 6Manifold Type-Individual SUP

SUPPLY PRESSURE

- H5 Bar
- M3.5 Bar

PORT THREAD

- Nil ...PT* Remove (N) when ordering
- TNPTF

SWITCHES

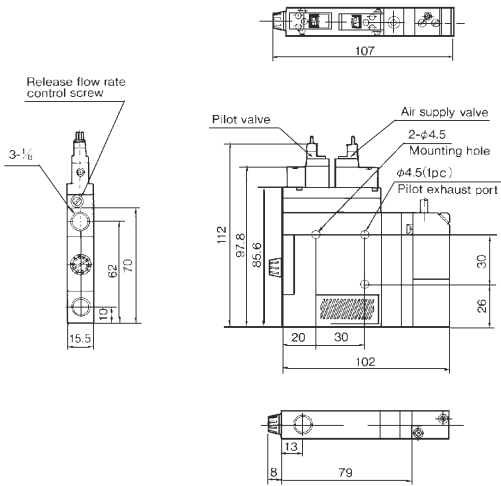
- Nil ...Without
- E15L Solid State (NPN)
- E55L Solid State (PNP)
- M21L Reed
- M15L Non-contact

Model	Standard Supply Pressure	Max. Vacuum Pressure	Max. Suction Flow	Air Consumption
NZM05•H	5Kgf/cm ² / 75PSI	-630mmHg	18	12
NZM07•H	5Kgf/cm ² / 75PSI	-630mmHg	24	23
NZM10•H	5Kgf/cm ² / 75PSI	-630mmHg	36	46
NZM13•H	5Kgf/cm ² / 75PSI	-630mmHg	40	95
NZM07•M	3.5Kgf/cm ² / 50PSI	-630mmHg	20	16
NZM10•M	3.5Kgf/cm ² / 50PSI	-630mmHg	26	32
NZM13•M	3.5Kgf/cm ² / 50PSI	-630mmHg	36	70



FOR FURTHER TECHNICAL DETAILS ON THIS PRODUCT REQUEST CATALOG REFERENCE N400

DIMENSIONS WITH VALVE AND VACUUM SWITCH



HOW TO ORDER NZM VACUUM EJECTOR WITH VALVES AND SWITCH

(N)ZM ● ● ● H-K5LZ — ●

NOZZLE DIAMETER
 05 ...0.5mm
 07 ...0.7mm
 10 ...1.0mm
 13 ...1.3mm

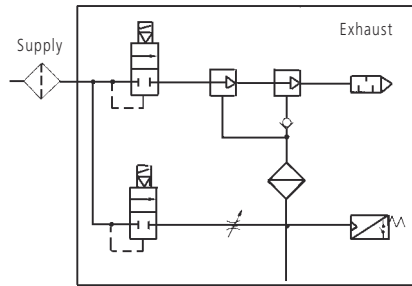
VOLTAGE
 524VDC
 612VDC

VACUUM SWITCH
 Nil ...Without
 E15L Solid State (NPN)
 E55L Solid State (PNP)
 M21L Reed
 M15L Non-Contact

PORT THREAD
 Nil ...PT* Remove (N) when ordering
 TNPTF

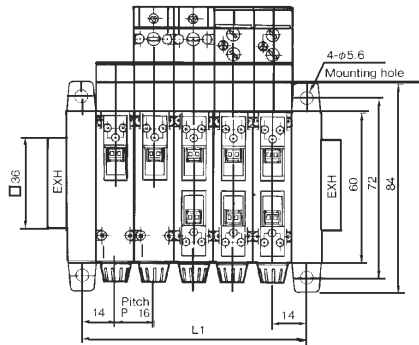
TYPE
 1Body Ported
 3Manifold Type - Common SUP
 5Manifold Type - Individual SUP

SYSTEM CIRCUIT

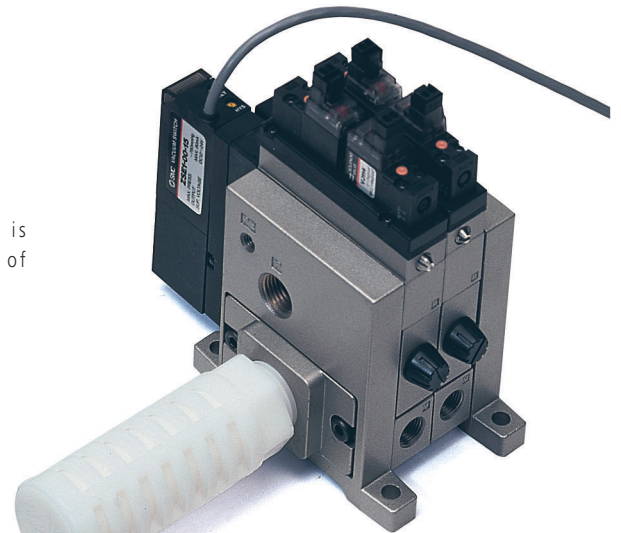


DIMENSIONS NZM VACUUM EJECTOR MANIFOLD

SERIES NZM VACUUM EJECTOR MANIFOLD



- ✓ 1 - 10 Stations
- ✓ Common supply and exhaust
- ✓ Maintenance and adjustment is possible without disassembly of the manifold



HOW TO ORDER NZM VACUUM EJECTOR MANIFOLD

(N)ZZM ● — ● ● B

NUMBER OF STATIONS
 01 ... 1 Station
 02 ... 2 Stations
 to
 10 ... 10 Stations

EXHAUST PORT
 04 ... 1/2
 06 ... 3/4

PORT THREAD
 Nil ...PT* Remove (N) when ordering
 TNPTF

EXHAUST ADAPTOR LOCATION
 BBoth Ends

Fitted with an Optional Silencer Series NAN: see section Air Preparation Accessories

n	1	2	3	4	5	6	7	8	9	10
L1	28	44	60	76	92	108	124	140	156	172
L2	40	56	72	88	104	120	136	152	168	184
L3	50	72	88	104	120	136	168	168	184	200

