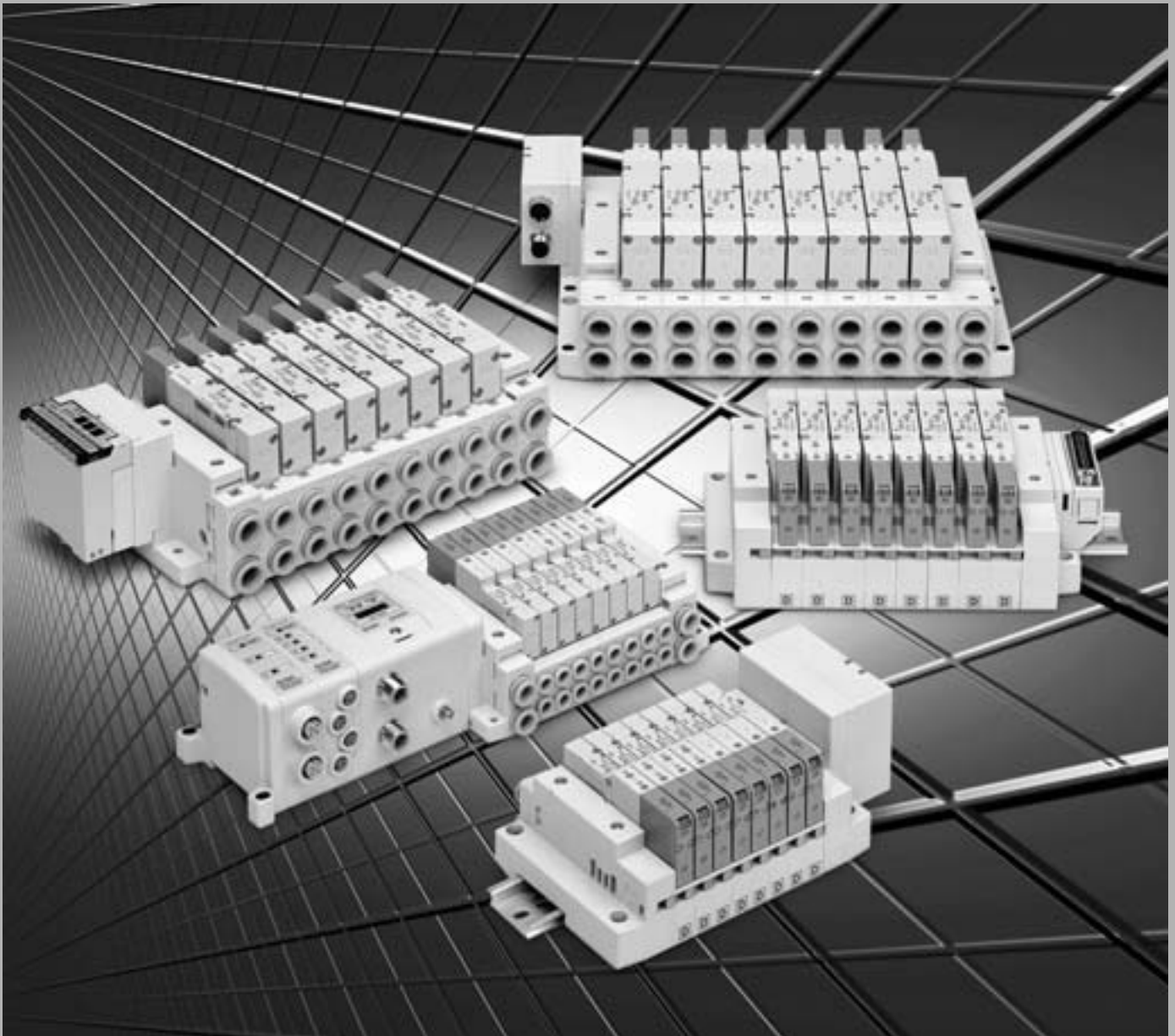


5 Port Solenoid Valve

Series *SV1000/2000/3000/4000*

Rubber Seal



New Concept Connector Type Manifold

SJ

SY

SV

SYJ

SZ

VP4

S0700

VQ

VQ4

VQ5

VQC

VQZ

SQ

VFS

VFR

VQ7

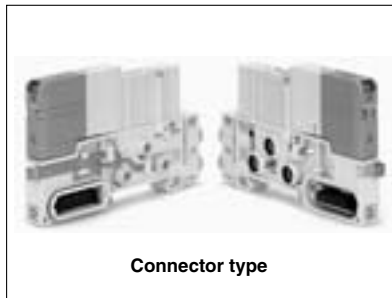
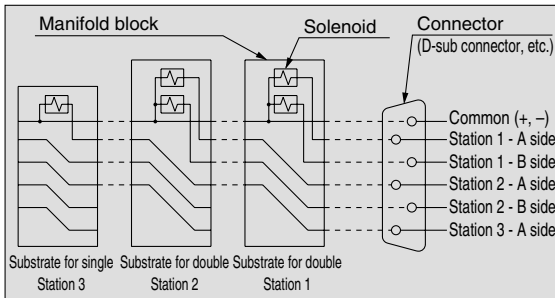
New Concept Connector Type Manifold Series SV1000/2000/3000/4000

- The use of multi-pin connectors to replace wiring inside manifold blocks provides flexibility when adding stations or changing manifold configuration.

Series SV employs a multi-connector instead of the conventional lead wires for internal. By connecting each block with a connector, changes to manifold stations are greatly simplified.

Connector wiring diagram

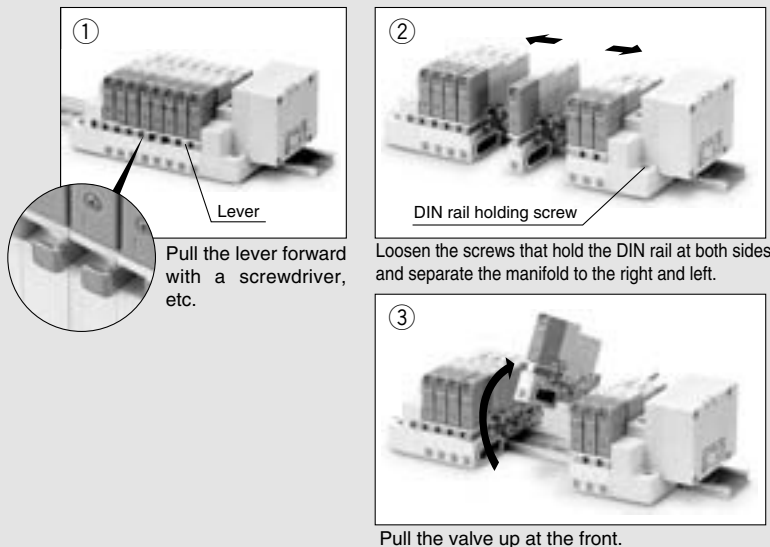
For both serial and parallel wiring, additional manifold blocks are sequentially assigned pins on the connector. This makes it completely unnecessary to disassemble the connector unit.



Service life of 50 million cycles or more
(Based on SMC life test conditions)

■ Cassette base type manifold (For SV1000/2000)

Cassette base type manifolds offer the ultimate in flexibility. Manifold sections can be added using a simple release mechanism.

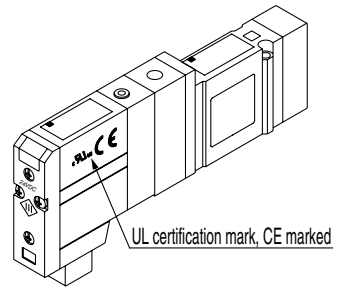


- A relay output module control of devices up

■ Tie-rod base manifold (For SV1000/2000/3000/4000)

Conventional tie-rod base type manifolds are also available. 34 pins connector allows up to 16 stations with double solenoids. (Refer to the tie-rod base manifold exploded view on page 430.)

■ The standard product is CE-compliant and UL-standard.



■ Series EX500: Gateway system, serial transmission system

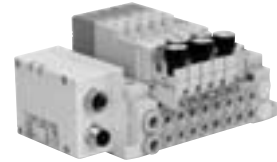
- IP67 compliant (Gateway unit and input manifold are compliant with IP65.)
- No. of input/output point: 128 points (Output 64 points, Input 64 points)
- Controls up to 4 branches with 32 I/O per branch
- A single cable from the gateway provides both signal and power for each branch, eliminating the need for separate power connections for each manifold.

■ Series EX250: Integrated type (for I/O), serial transmission system

- IP67 compliant (compliant with IP40.)
- No. of input/output point: 64 points (Output 32 points, Input 32 points)
- Double solenoid allows up to 16 stations (up to 32 solenoids).

■ Interface regulator Series SV1000, 2000, 3000, 4000

- P port regulation, A port regulation and B port regulation are selectable, depending on an application. Able to set the pressure arbitrarily for each station of the manifold just by inserting between manifold base and valve.



■ Increased moisture and dust resistance.

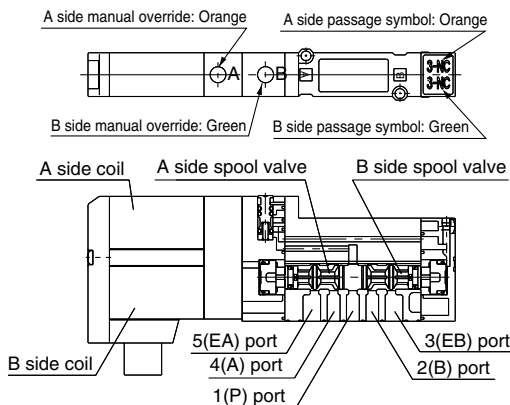
- Enclosure against foreign matters and water is conforming to IP67 *. Can be used in an atmosphere where the valve or manifold is exposed by water, etc. directly. (* Based on IEC60529) (Refer to the catalog contents for details, as some types of connectors do not meet these standards.)

■ 4 position dual 3 port valves available for Series SV1000/2000

- Two 3 port valves built into a single valve body.
- A and B ports can be individually controlled.
- Three combinations are available: [N.C./N.C.], [N.O./N.O.], and [N.C./N.O.].
- Mixed mounting with 5 port valves is also possible.
- Labels are attached to indicate A and B side functions, using the same color as the manual override.

Power consumption: 0.6 W (Current: 25 mA, 24 VDC)

is available for to 110 VAC, 3 A.



Model	A side	B side	JIS Symbol
SV ₂ ¹ A00	N.C. valve	N.C. valve	
SV ₂ ¹ B00	N.O. valve	N.O. valve	
SV ₂ ¹ C00	N.C. valve	N.O. valve	

* External pilot specifications is not available for 4 position dual 3 port valves.

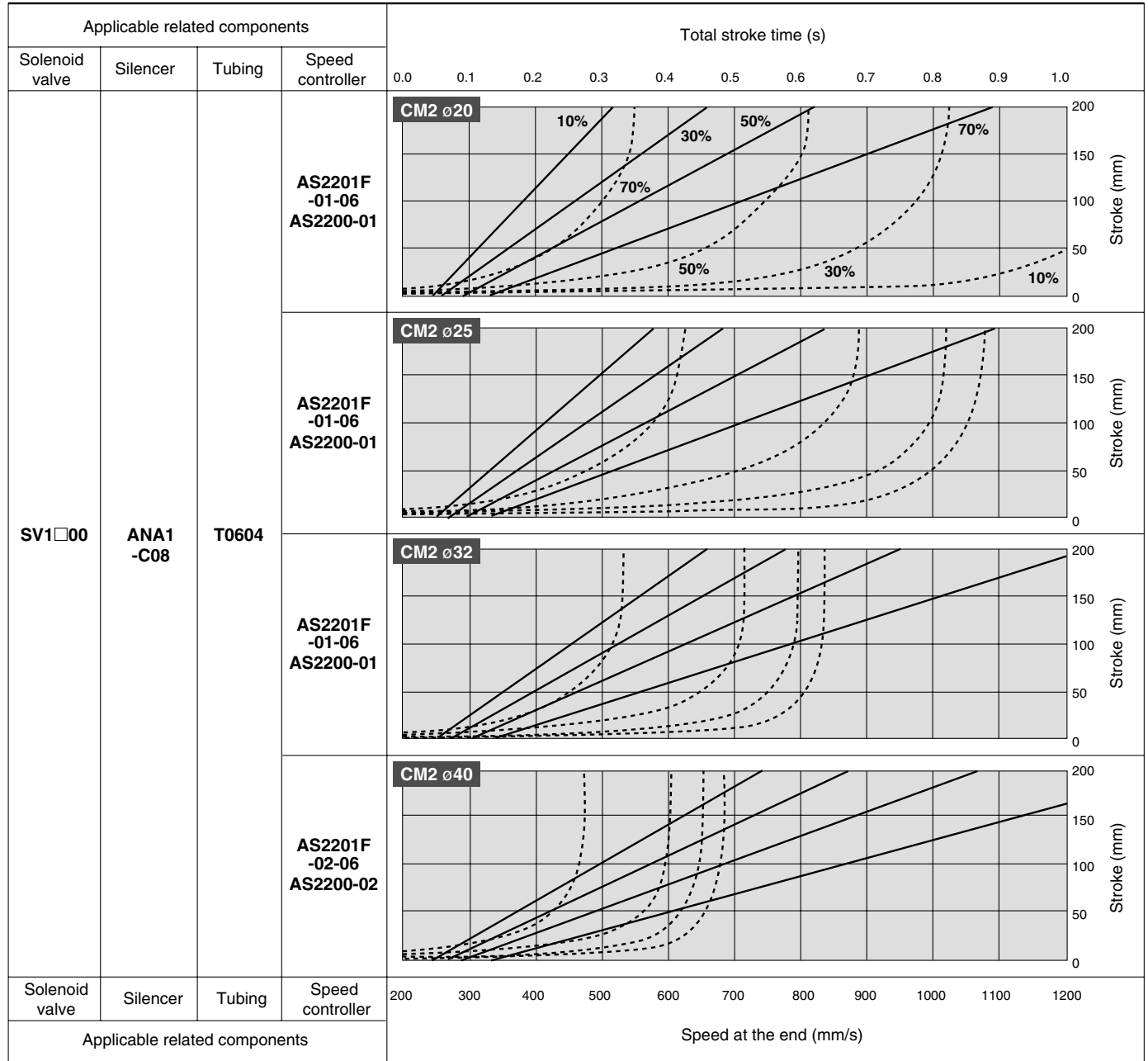
- SJ
- SY
- SV**
- SYJ
- SZ
- VP4
- S0700
- VQ
- VQ4
- VQ5
- VQC
- VQZ
- SQ
- VFS
- VFR
- VQ7

Air Cylinders Drive System

Full Stroke Time and Speed at the End

Series SV1000

Applicable bore size: $\varnothing 20$, $\varnothing 25$, $\varnothing 32$, $\varnothing 40$



For details regarding different conditions, make determinations after using the SMC Model Selection Program - Pneumatic Cylinder Drive Systems.

How to Read the Graph

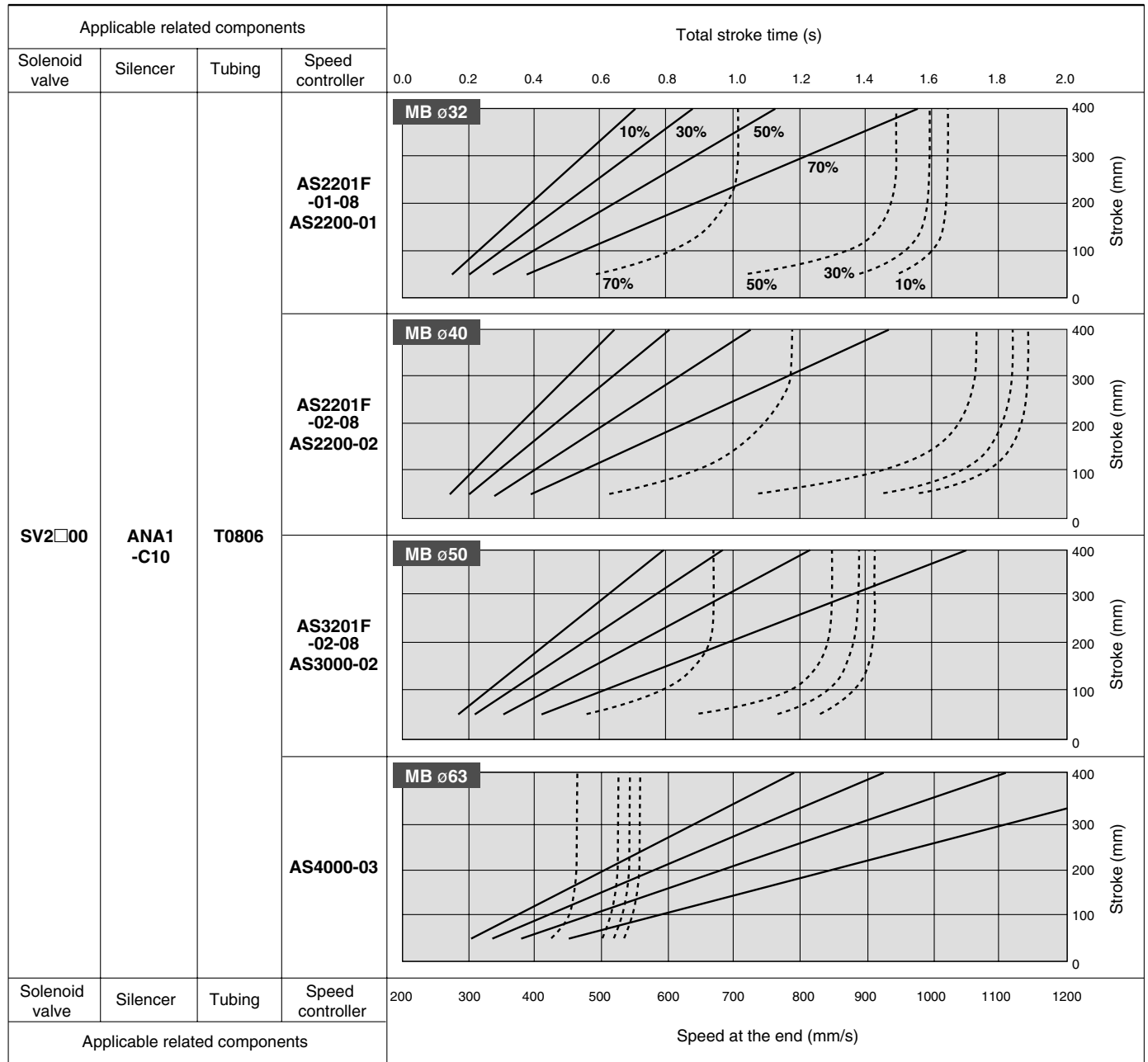
These graphs show the total stroke time and speed at the end when a cylinder drive system is composed of the ideal components. The graphs above indicate the total stroke time and speed at the end with respect to various load ratios and strokes for each cylinder bore size.

Common Conditions

Inlet pressure	0.5 MPa
Piping length	SV1000: 1 m, SV2000/3000: 2 m, SV4000: 3 m
Cylinder direction	Vertical upward
Speed controller	Meter-out, Directly connected to cylinder, Needle fully open
Load ratio	{(Load weight x 9.8) / Theoretical output} x 100%

Series SV2000

Applicable bore size: $\varnothing 32$, $\varnothing 40$, $\varnothing 50$, $\varnothing 63$

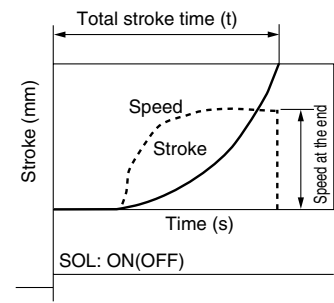
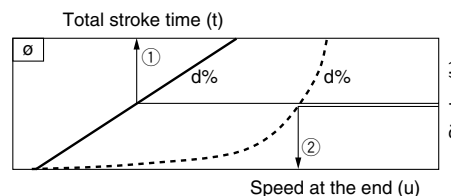


For details regarding different conditions, make determinations after using the SMC Model Selection Program - Pneumatic Cylinder Drive Systems.

- SJ
- SY
- SV**
- SYJ
- SZ
- VP4
- S0700
- VQ
- VQ4
- VQ5
- VQC
- VQZ
- SQ
- VFS
- VFR
- VQ7

Example

Go to the chart for the bore size cylinder you are using (\varnothing). To find the total stroke time (t), follow arrow (1) from your stroke length (L) to the solid line representing the load ratio ($d\%$) for the application then up to the total stroke time (t). To find the ending cylinder speed (u), follow arrow (2) from your stroke length (L) to the dotted line representing the load ratio ($d\%$) then down to the ending cylinder speed (u).

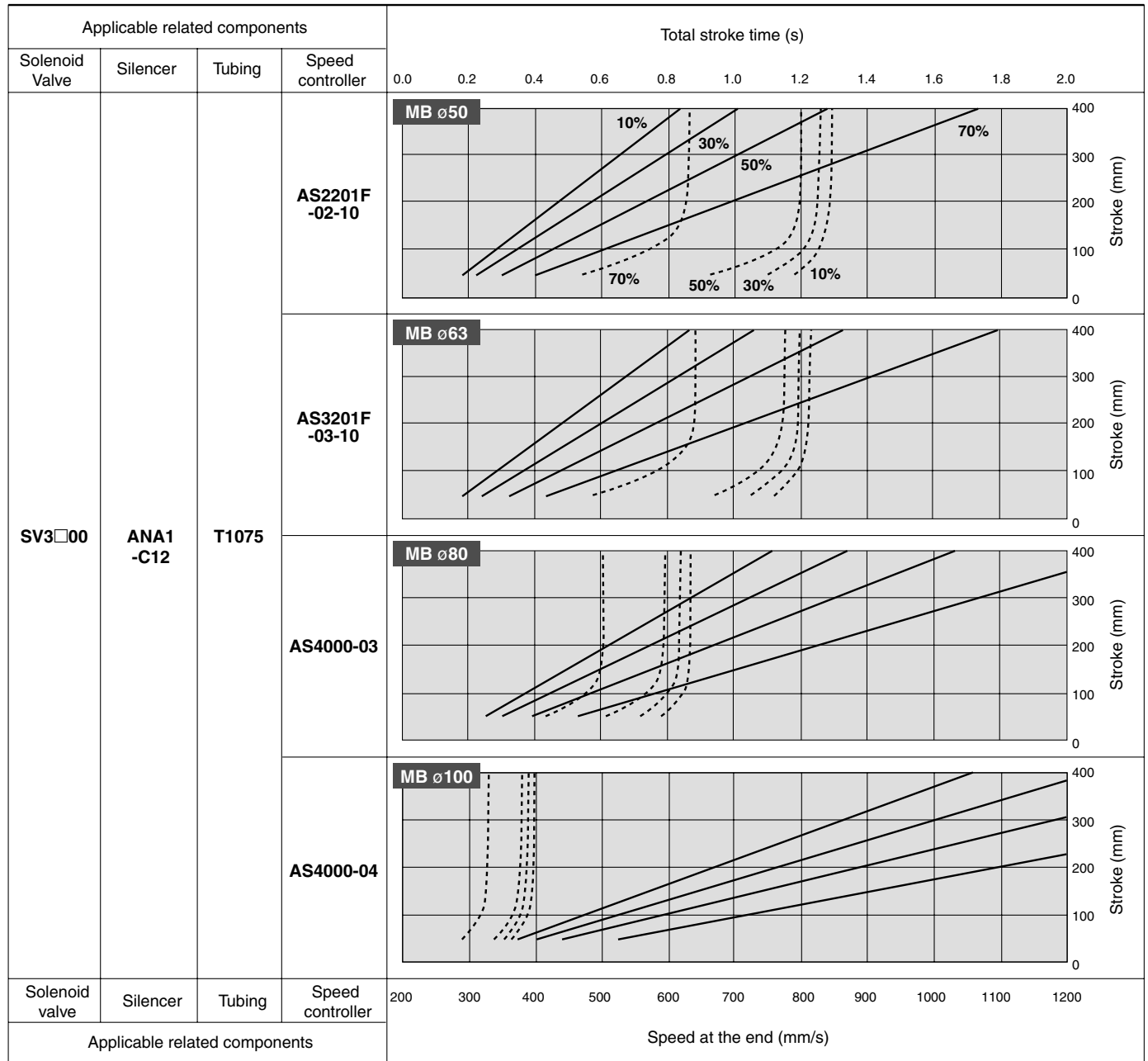


Air Cylinders Drive System

Full Stroke Time and Speed at the End

Series SV3000

Applicable bore size: $\varnothing 50$, $\varnothing 63$, $\varnothing 80$, $\varnothing 100$



For details regarding different conditions, make determinations after using the SMC Model Selection Program - Pneumatic Cylinder Drive Systems.

How to Read the Graph

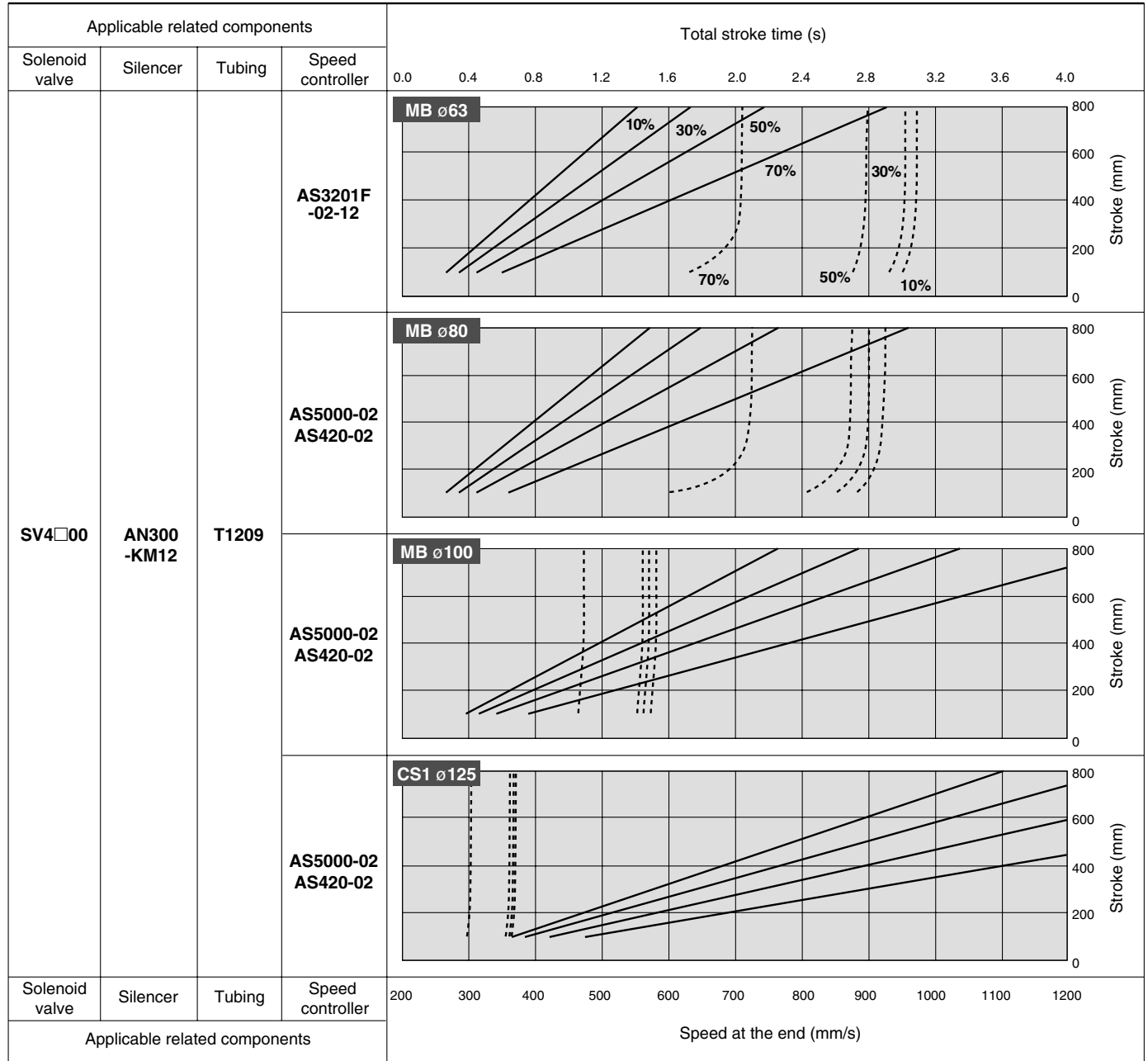
These graphs show the total stroke time and speed at the end when a cylinder drive system is composed of the ideal components. The graphs above indicate the total stroke time and speed at the end with respect to various load ratios and strokes for each cylinder bore size.

Common Conditions

Inlet pressure	0.5 MPa
Piping length	SV1000: 1 m, SV2000/3000: 2 m, SV4000: 3 m
Cylinder direction	Vertical upward
Speed controller	Meter-out, Directly connected to cylinder, Needle fully open
Load ratio	{(Load weight x 9.8) Theoretical output} x 100%

Series SV4000

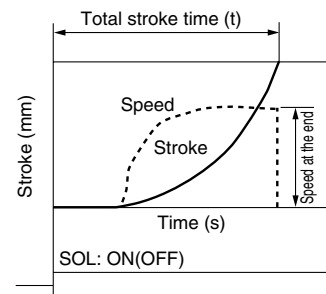
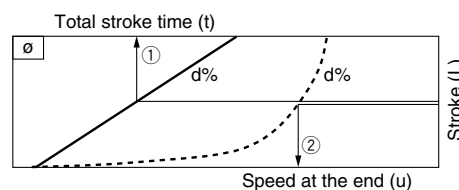
Applicable bore size: $\varnothing 63, \varnothing 80, \varnothing 100, \varnothing 125$



For details regarding different conditions, make determinations after using the SMC Model Selection Program - Pneumatic Cylinder Drive Systems.

Example

Go to the chart for the bore size cylinder you are using (\varnothing). To find the total stroke time (t), follow arrow (1) from your stroke length (L) to the solid line representing the load ratio (d%) for the application then up to the total stroke time (t). To find the ending cylinder speed (u), follow arrow (2) from your stroke length (L) to the dotted line representing the load ratio (d%) then down to the ending cylinder speed (u).

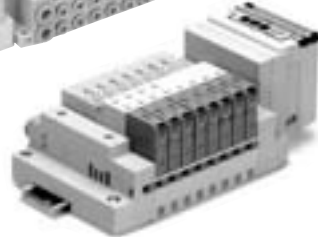
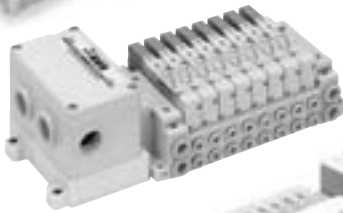
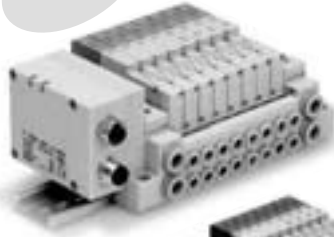


- SJ
- SY
- SV**
- SYJ
- SZ
- VP4
- S0700
- VQ
- VQ4
- VQ5
- VQC
- VQZ
- SQ
- VFS
- VFR
- VQ7

INDEX

Series SV Manifold Variations

Serial Wiring



Valve Manifold Common Specifications P. 352

Manifold specifications

EX500 Gateway System Serial Transmission System P. 355

IP67 compliant

Applicable series **Cassette base manifold SV1000/SV2000**
Tie-rod base manifold SV1000/SV2000/SV3000/SV4000

- Number of output points: 16 points
- Connected to the EX500GW unit

EX250 Integrated Type (for I/O) Serial Transmission System P. 365

IP67 (partly IP40) compliant

Applicable series **Tie-rod base manifold SV1000/SV2000/SV3000**

- Number of input/output points: Each 32 points

EX126 Integrated Type (for Output) Serial Transmission System P. 371

IP67 compliant

Applicable series **Tie-rod base manifold SV1000/SV2000/SV3000**

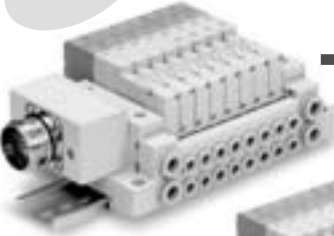
- Number of output points: 16 points

EX120 Integrated Type (for Output) Serial Transmission System P. 377

Applicable series **Cassette base manifold SV1000/SV2000**
Tie-rod base manifold SV1000/SV2000/SV3000/SV4000

- Number of output points: 16 points

Parallel Wiring



For Circular Connector P. 387

IP67 compliant

Applicable series **Cassette base manifold SV1000/SV2000**
Tie-rod base manifold SV1000/SV2000/SV3000/SV4000

- Number of connectors: 26 pins

D-sub Connector P. 397

Applicable series **Cassette base manifold SV1000/SV2000**
Tie-rod base manifold SV1000/SV2000/SV3000/SV4000

- Number of connectors: 25 pins
- MIL-C-24308
- Conforming to JIS-X-5101

Flat Ribbon Cable Connector P. 407

Applicable series **Cassette base manifold SV1000/SV2000**
Tie-rod base manifold SV1000/SV2000/SV3000/SV4000

- Number of connectors: 26, 20, 10 pins
- With strain relief
- Conforming to MIL-C-83503

Flat Ribbon Cable PC Wiring P. 410

Applicable series **Cassette base manifold SV1000/SV2000**
Tie-rod base manifold SV1000/SV2000/SV3000/SV4000

- Number of connectors: 20 pins
- Conforming to MIL-C-83503

Manifold exploded view/Manifold option P. 426

Single Valve/Sub-plate [IP67 compliant] P. 440

IP67 compliant

Applicable series **SV1000/SV2000/SV3000/SV4000**

- With waterproof M12 connector

Made to Order Specifications P. 448

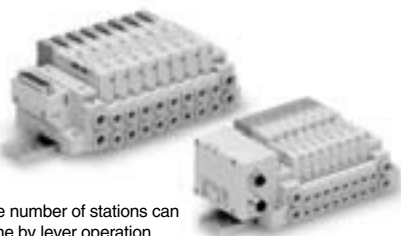


- SJ
- SY
- SV
- SYJ
- SZ
- VP4
- S0700
- VQ
- VQ4
- VQ5
- VQC
- VQZ
- SQ
- VFS
- VFR
- VQ7

Valve Manifold Common Specifications Series SV



Cassette base manifold



- Changing the number of stations can be easily done by lever operation.

Manifold Specifications

Applicable series		SV1000	SV2000
Manifold type		Stacking type cassette base manifold	
1 (P: SUP), 3/5 (E: EXH) type		Common SUP, EXH	
Valve stations (maximum)		18 stations	20 stations
Max. number of solenoids		18 points	26 points
Port size	1(P), 3/5(E) port	C8, N9	C10, N11
	4(A), 2(B) port	C3, C4, C6 N1, N3, N7	C4, C6, C8 N3, N7, N9

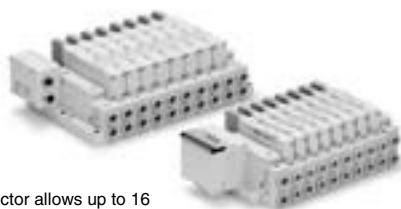
Flow Characteristics

Model	Port size		Flow characteristics					
	1, 5, 3 (P,EA,EB)	4, 2 (A,B)	1→4/2 (P→A/B)			4/2→3/5 (A/B→E)		
			C [dm ³ /(s·bar)]	b	Cv	C [dm ³ /(s·bar)]	b	Cv
SS5V1-16	C8	C6	0.89	0.22	0.22	0.98	0.21	0.23
SS5V2-16	C10	C8	2.3	0.28	0.50	2.7	0.18	0.56



Note) The value is for manifold base with 5 stations and individually operated 2 position type.

Tie-rod base manifold



- 34 pins connector allows up to 16 stations with double solenoids.

Manifold Specifications

Applicable series		SV1000	SV2000	SV3000	SV4000
Manifold type		Tie-rod base manifold			
1 (P: SUP), 3/5 (E: EXH) type		Common SUP, EXH			
Valve stations (maximum)		20 stations			
Max. number of solenoids		32 points			
Port size	1(P), 3/5(E) port	C8, N9	C10, N11	C12, N11	C12, N11,03
	4(A), 2(B) port	C3, C4, C6 N1, N3, N7	C4, C6, C8 N3, N7, N9	C6, C8, C10 N7, N9, N11	C8, C10, C12 N9, N11, 02, 03

Flow Characteristics

Model	Port size		Flow characteristics					
	1, 5, 3 (P,EA,EB)	4, 2 (A,B)	1→4/2 (P→A/B)			4/2→3/5 (A/B→E)		
			C [dm ³ /(s·bar)]	b	Cv	C [dm ³ /(s·bar)]	b	Cv
SS5V1-10	C8	C6	0.98	0.26	0.24	1.1	0.35	0.28
SS5V2-10	C10	C8	2.1	0.20	0.46	2.4	0.18	0.48
SS5V3-10	C12	C10	4.2	0.22	0.91	4.3	0.21	0.93
SS5V4-10	C12	C12	6.2	0.19	1.3	7.0	0.18	1.6




Note) The value is for manifold base with 5 stations and individually operated 2 position type.

Enclosure of Manifold Variations (Common for cassette base and tie-rod base)

Series	Enclosure (Based on IEC60529)
EX500 Gateway System Serial Transmission System	IP67 *
EX250 Integrated Type (for I/O) Serial Transmission System	IP67 (partly IP40)
EX126 Integrated Type (for output) Serial Transmission System	IP67
EX120 Integrated Type (for output) Serial Transmission System	IP20
Circular connector	IP67
D-sub connector	Dusttight (IP40)
Flat ribbon cable	Dusttight (IP40)

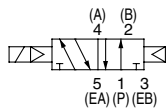
* Enclosure of a gateway unit and input manifold is IP65.

Series SV Solenoid Valve Specifications

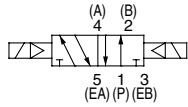
 **Made to Order Specifications**
(For details, refer to page 448.)

JIS Symbol

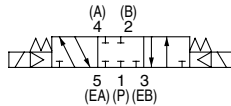
2 position single solenoid



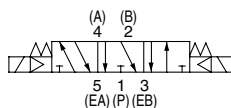
2 position double solenoid



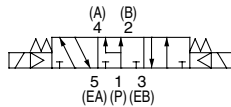
3 position closed center



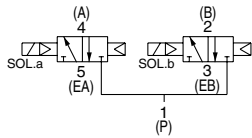
3 position exhaust center



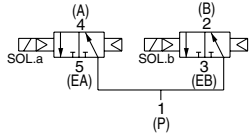
3 position pressure center



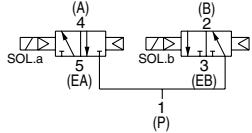
4 position dual 3 port valve: N.C./N.C.




4 position dual 3 port valve: N.O./N.O.



4 position dual 3 port valve: N.C./N.O.




Fluid		Air
Internal pilot Operating pressure range (MPa)	2 position single	0.15 to 0.7
	4 position dual 3 port valve	0.1 to 0.7
	3 position	0.2 to 0.7
External pilot Operating pressure range (MPa)	Operating pressure range	-100 kPa to 0.7
	2 position single, double	0.25 to 0.7
	3 position	0.25 to 0.7
Ambient and fluid temperature (°C)		-10 to 50 (No freezing. Refer to page 5.)
Max. operating frequency (Hz)	2 position single, double	5
	4 position dual 3 port valve	3
	3 position	3
Manual override		Non-locking push type
		Push-turn locking slotted type
Pilot exhaust method	Internal pilot	Common exhaust type for main and pilot valve
	External pilot	Pilot valve individual exhaust
Lubrication		Not required
Mounting orientation		Unrestricted
Impact/Vibration resistance (ms²)		150/30
Enclosure		IP67 (Based on IEC60529)
Coil rated voltage		24 VDC, 12 VDC
Allowable voltage fluctuation		±10% of rated voltage
Power consumption		0.6 (With indicator light: 0.65)
Surge voltage suppressor		Zener diode
Indicator light		LED

 Note) Impact resistance: No malfunction occurred when it is tested with a drop tester in the axial direction and at the right angles to the main valve and armature in both energized and de-energized states every once for each condition. (Values at the initial period)

Vibration resistance: No malfunction occurred in a one-sweep test between 45 and 2000 Hz. Test was performed at both energized and de-energized states in the axial direction and at the right angles to the main valve and armature. (Values at the initial period)


Response Time

Type of actuation	Response time (ms) (at the pressure of 0.5 MPa)			
	SV1000	SV2000	SV3000	SV4000
2 position single	11 or less	25 or less	28 or less	40 or less
2 position double	10 or less	17 or less	26 or less	40 or less
3 position	18 or less	29 or less	32 or less	82 or less
4 position dual 3 port valve	15 or less	33 or less	—	—

 Note) Based on dynamic performance test, JIS B 8375-1981. (Coil temperature: 20°C, at rated voltage)

Mass

Series	Type of actuation	Mass (g)
SV1000	Single solenoid	66
	Double solenoid	71
	3 position	73
	4 position dual 3 port	71
SV2000	Single solenoid	74
	Double solenoid	78
	3 position	83
	4 position dual 3 port	78
SV3000	Single solenoid	99
	Double solenoid	102
	3 position	110
SV4000	Single solenoid	186
	Double solenoid	190
	3 position	211

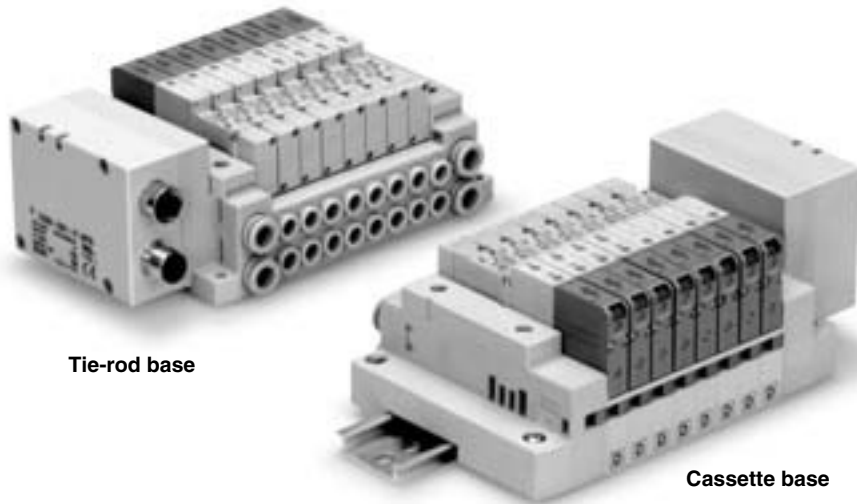
 Note) Mass of solenoid valve only.

SJ
SY
SV
SYJ
SZ
VP4
S0700
VQ
VQ4
VQ5
VQC
VQZ
SQ
VFS
VFR
VQ7

Gateway System Serial Transmission System

Series *EX500*

IP67 compliant



Tie-rod base

Cassette base

Applicable series	Cassette base manifold SV1000/SV2000
	Tie-rod base manifold SV1000/SV2000/SV3000/SV4000
<ul style="list-style-type: none"> • Number of output points: 16 points • Connected to the EX500GW unit 	

SJ
SY
SV
SYJ
SZ
VP4
S0700
VQ
VQ4
VQ5
VQC
VQZ
SQ
VFS
VFR
VQ7

EX500 Gateway System Serial Transmission System Series SV



How to Order Manifold

Series

1	SV1000
2	SV2000
3	SV3000
4	SV4000

Tie-rod base
SS5V 1 - W 10S A2W D - 05 U

Cassette base
SS5V 1 - W 16S A2W D - 05 U

Enclosure IP67 specifications

SI unit

0	Without SI unit
A2W	DeviceNet/PROFIBUS DP/ CC-Link/EtherNet/IP

Valve stations

Symbol	Stations	Note
02	2 stations	Double wiring specifications (1)
⋮	⋮	
08	8 stations	Specified layout (2) (up to 16 solenoids possible.)
02	2 stations	
⋮	⋮	
16	16 stations	

Note 1) Double wiring specifications: Single, double, 3 position and 4 position solenoid valves can be used on all manifold stations. Use of a single solenoid will result in an unused control signal. If this is not desired, order with a specified layout.

Note 2) Specified layout: Indicate wiring specifications on the manifold specification sheet. (Note that double, 3 position and 4 position valves cannot be used where single solenoid wiring has been specified.)

SI unit part no.

Symbol	Protocol type	SI unit
A2W	DeviceNet	EX500-S001
	PROFIBUS DP	
	CC-Link	
	EtherNet/IP	

Mounting

Nil	Direct mounting
D	DIN rail mounting (With DIN rail)
D0*	DIN rail mounting (Without DIN rail)
D3	For 3 stations
⋮	⋮
D16	For 16 stations

* In the case of D0, only DIN rail fittings are attached.

DIN rail length specified

Nil	Standard length
3	For 3 stations
⋮	⋮
16	For 16 stations

P, E port location

U	U side (2 to 10 stations)
D	D side (2 to 10 stations)
B	Both sides (2 to 16 stations)

SUP/EXH block assembly specifications

Nil	Internal pilot
S*	Internal pilot/Built-in silencer
R	External pilot
RS*	External pilot/Built-in silencer

Note) When the built-in silencer type is used, keep the exhaust port from coming in direct contact with water or other liquids.

A, B port size (metric)

Symbol	A, B port	P, E port	Applicable series
C3	One-touch fitting for ø3.2	One-touch fitting for ø8	SV1000
C4	One-touch fitting for ø4		
C6	One-touch fitting for ø6		
C4	One-touch fitting for ø4	One-touch fitting for ø10	SV2000
C6	One-touch fitting for ø6		
C8	One-touch fitting for ø8		
C6	One-touch fitting for ø6	One-touch fitting for ø12	SV3000
C8	One-touch fitting for ø8		
C10	One-touch fitting for ø10		
C8	One-touch fitting for ø8	One-touch fitting for ø12	SV4000
C10	One-touch fitting for ø10		
C12	One-touch fitting for ø12		
02	Rc 1/4	Rc 3/8	
03	Rc 3/8		
02F	G 1/4	G 3/8	
03F	G 3/8		
M	A, B ports mixed		

A, B port size (inch)

Symbol	A, B port	P, E port	Applicable series
N1	One-touch fitting for ø1/8"	One-touch fitting for ø5/16"	SV1000
N3	One-touch fitting for ø5/32"		
N7	One-touch fitting for ø1/4"		
N3	One-touch fitting for ø5/32"	One-touch fitting for ø3/8"	SV2000
N7	One-touch fitting for ø1/4"		
N9	One-touch fitting for ø5/16"		
N7	One-touch fitting for ø1/4"	One-touch fitting for ø3/8"	SV3000
N9	One-touch fitting for ø5/16"		
N11	One-touch fitting for ø3/8"		
N9	One-touch fitting for ø5/16"	One-touch fitting for ø3/8"	SV4000
N11	One-touch fitting for ø3/8"		
02N	NPT 1/4		
03N	NPT 3/8	NPT 3/8	
02T	NPTF 1/4		
03T	NPTF 3/8	NPTF 3/8	
M	A, B ports mixed		

* In the case of mixed specifications (M), indicate separately on the manifold specification sheet.
* Port sizes of X, PE port for external pilot specifications (R, RS) are ø4 (metric), ø5/32" (inch) for SV1000/2000 and ø6 (metric) and ø1/4" (inch) for SV3000/4000.

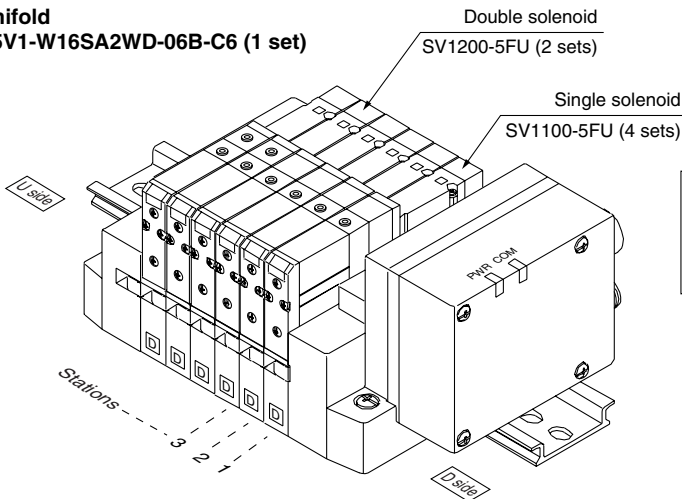
Refer to pages 1680 to 1694 for the details of EX500 gateway system serial transmission system.

How to Order Manifold Assembly

Ordering example (SV1000)

Manifold

SS5V1-W16SA2WD-06B-C6 (1 set)



SS5V1-W16SA2WD-06B-C6.....1 set (Manifold part no.)
* SV1100-5FU.....4 sets (Single solenoid part no.)
* SV1200-5FU.....2 sets (Double solenoid part no.)

How to Order Valve

SV 1 1 0 0 [] [] - 5 F [] [] - [] - []

Series

1	SV1000
2	SV2000
3	SV3000
4	SV4000

Type of actuation

1	2 position single
2	2 position double
3	3 position closed center
4	3 position exhaust center
5	3 position pressure center
A	4 position dual 3 port valve: N.C./N.C.
B	4 position dual 3 port valve: N.O./N.O.
C	4 position dual 3 port valve: N.C./N.O.

* 4 position dual 3 port valves are applicable to Series SV1000 and SV2000 only.

Pilot type

Nil	Internal pilot
R	External pilot

* External pilot specifications is not available for 4 position dual 3 port valves.

Back pressure check valve

Nil	None
K	Built-in

* Built-in back pressure check valve type is applicable to series SV1000 only.
* Back pressure check valve is not available for 3 position valve.

Rated voltage

5	24 VDC
---	--------



Note) Available with manifold block for station additions. Refer to pages 429 and 443.

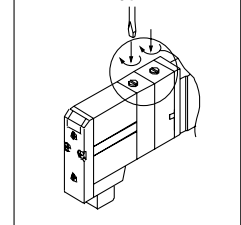
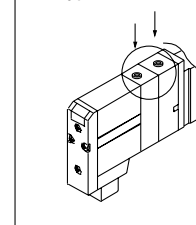
Made to Order

Nil	—
X90	Main valve fluoro rubber (Refer to page 448.)

Manual override

Nil: Non-locking push type

D: Push-turn locking slotted type



Light/Surge voltage suppressor

U	With light/surge voltage suppressor
R	With surge voltage suppressor



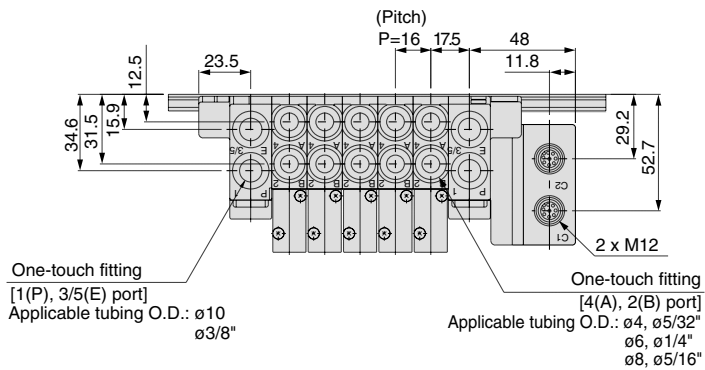
Refer to Specific Product Precautions 2 on page 450.

- SJ
- SY
- SV**
- SVJ
- SZ
- VP4
- S0700
- VQ
- VQ4
- VQ5
- VQC
- VQZ
- SQ
- VFS
- VFR
- VQ7

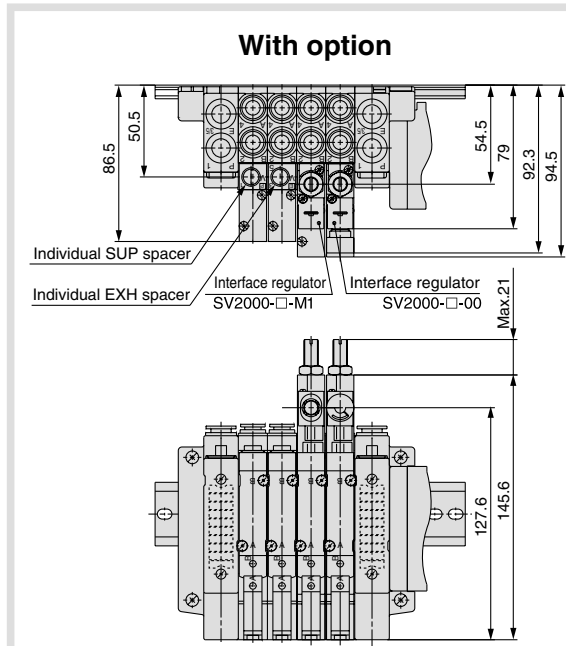
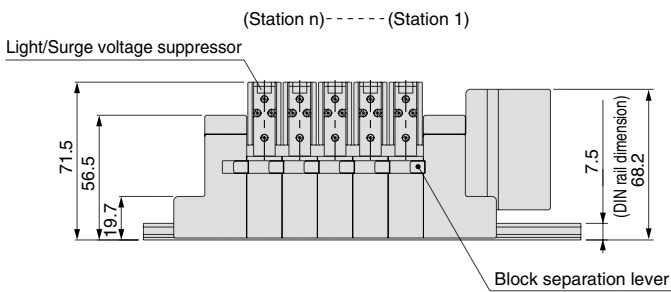
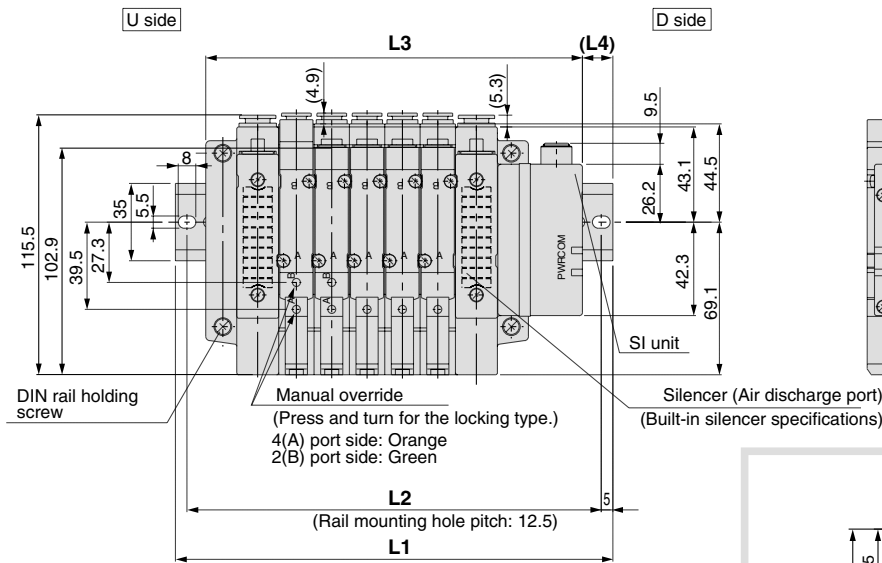
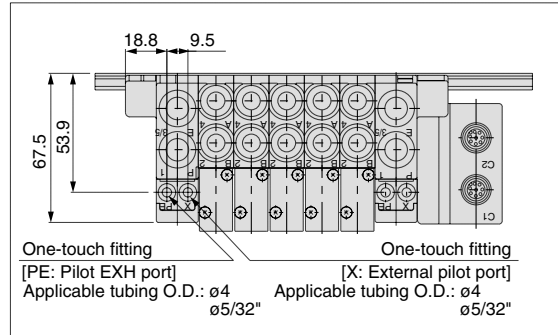
Dimensions: Series SV2000 for EX500 Gateway System Serial Transmission System

● **Cassette base manifold: SS5V2-W16SA2WD-** Stations $\frac{U}{D}$ (S, R, RS)- $\frac{C4, N3}{C6, N7}$ $\frac{C8, N9}{C8, N9}$

- When P, E port outlets are indicated on the U side or D side, the P, E ports on the opposite side are plugged.
- External pilot port positions and silencer discharge port positions are the same as P, E port outlet positions.



With External Pilot Specifications



L Dimension

n	2	3	4	5	6	7	8	9	10	11	12	13	14	15	16
L1	148	173	185.5	198	210.5	235.5	248	260.5	285.5	298	310.5	323	348	360.5	373
L2	137.5	162.5	175	187.5	200	225	237.5	250	275	287.5	300	312.5	337.5	350	362.5
L3	122.5	138.5	154.5	170.5	186.5	202.5	218.5	234.5	250.5	266.5	282.5	298.5	314.5	330.5	346.5
L4	13	17.5	15.5	14	12	16.5	15	13	17.5	16	14	12.5	17	15	13.5

n: Stations

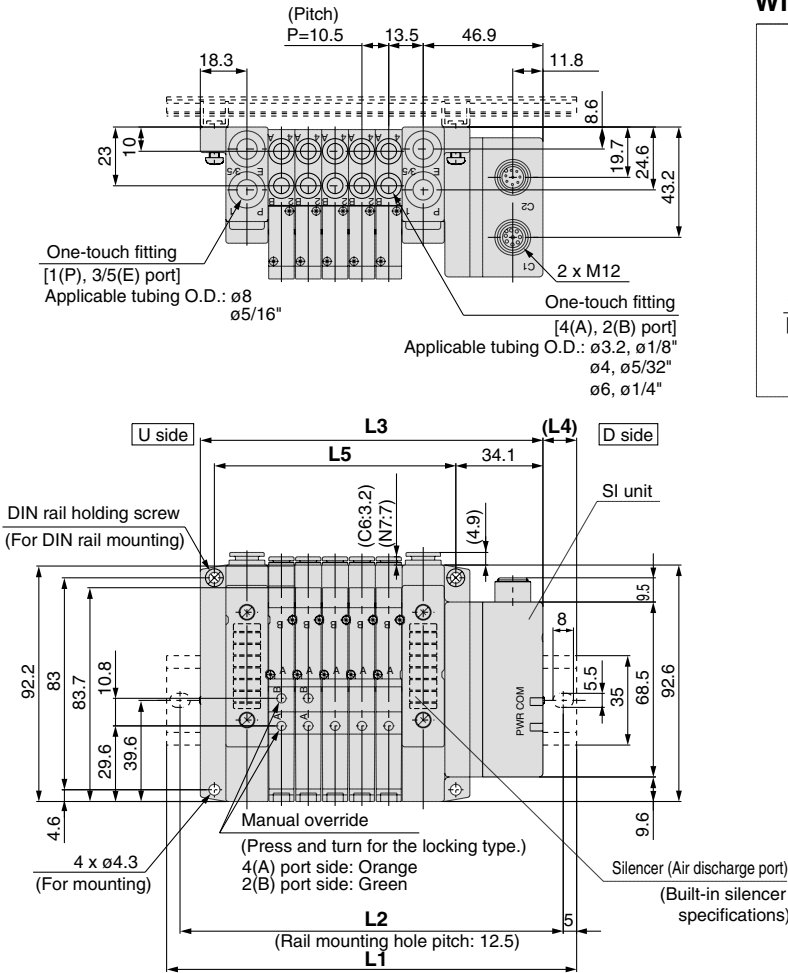
- SJ
- SY
- SV**
- SYJ
- SZ
- VP4
- S0700
- VQ
- VQ4
- VQ5
- VQC
- VQZ
- SQ
- VFS
- VFR
- VQ7

Series SV

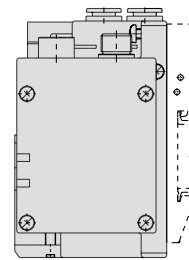
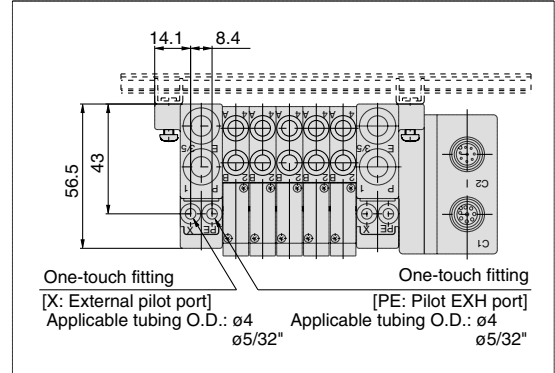
Dimensions: Series SV1000 for EX500 Gateway System Serial Transmission System

● Tie-rod base manifold: SS5V1-W10SA2WD-Stations_U_D(S, R, RS) ^{C3, N1}_{C4, N3}^{C6, N7}(-D)

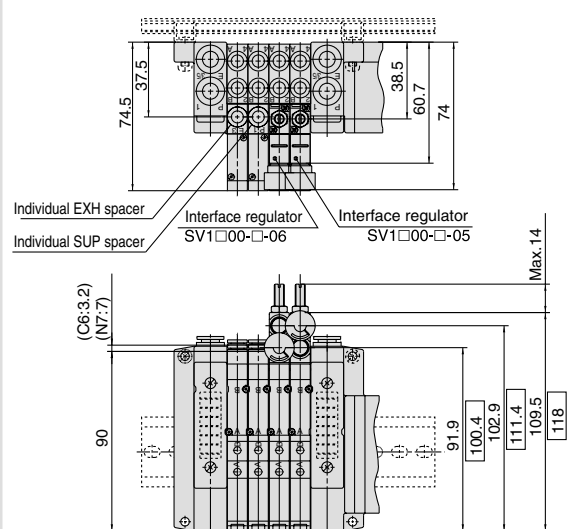
- When P, E port outlets are indicated on the U side or D side, the P, E ports on the opposite side are plugged.
- External pilot port positions and silencer discharge port positions are the same as P, E port outlet positions.



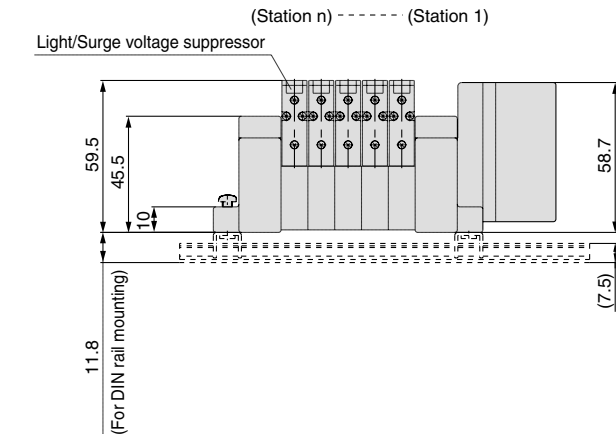
With External Pilot Specifications



With option



Dimensions are the ones for SV1300-□□-□.



L Dimension

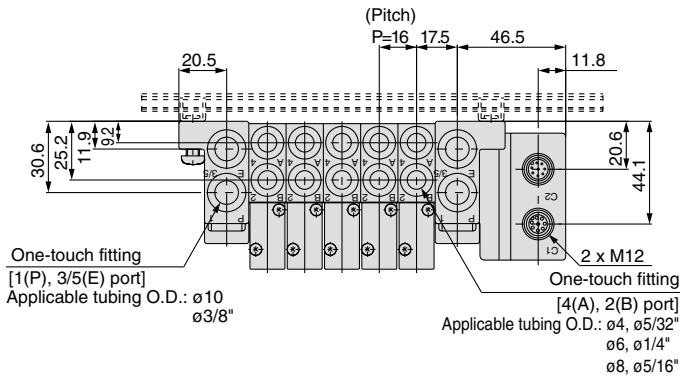
n	2	3	4	5	6	7	8	9	10	11	12	13	14	15	16
L1	135.5	148	148	160.5	173	185.5	198	210.5	210.5	223	235.5	248	260.5	273	273
L2	125	137.5	137.5	150	162.5	175	187.5	200	200	212.5	225	237.5	250	262.5	262.5
L3	102.6	113.1	123.6	134.1	144.6	155.1	165.6	176.1	186.6	197.1	207.6	218.1	228.6	239.1	249.6
L4	16.5	17.5	12	13	14	15	16	17	12	13	14	15	16	17	11.5
L5	63	73.5	84	94.5	105	115.5	126	136.5	147	157.5	168	178.5	189	199.5	210

n: Stations

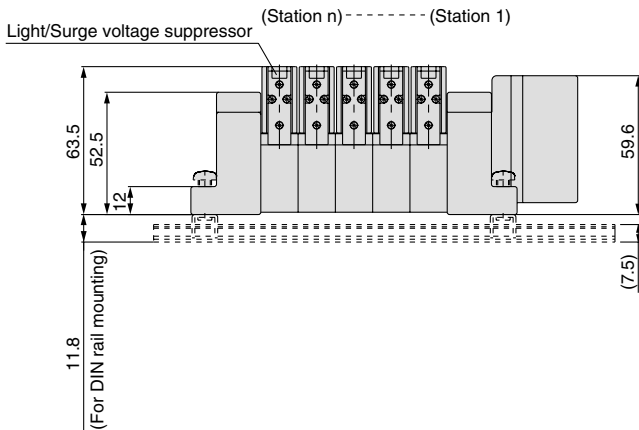
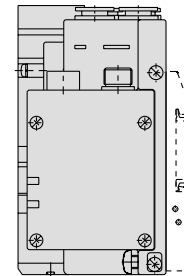
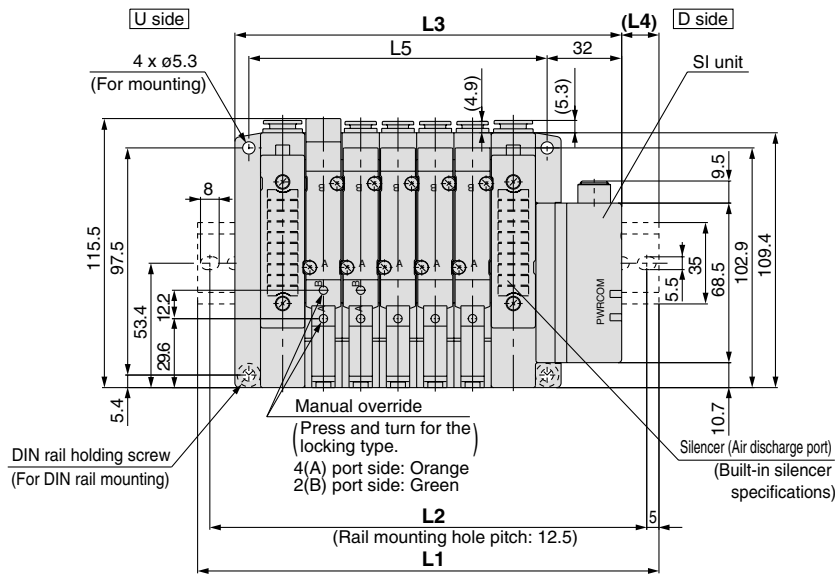
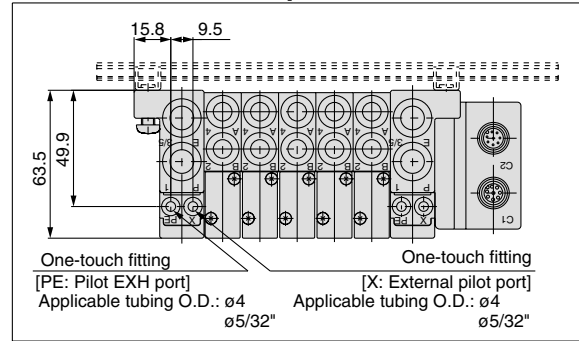
Dimensions: Series SV2000 for EX500 Gateway System Serial Transmission System

● Tie-rod base manifold: SS5V2-W10SA2WD-**Stations**_U^D(S, R, RS)-^{C4, N3}_{C6, N7}^{C8, N9}(-D)

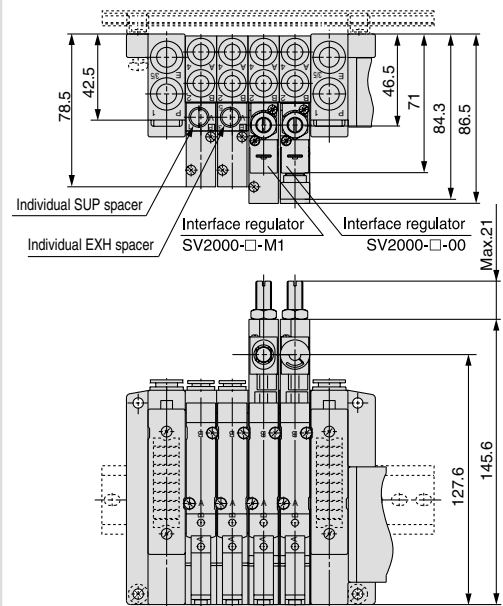
- When P, E port outlets are indicated on the U side or D side, the P, E ports on the opposite side are plugged.
- External pilot port positions and silencer discharge port positions are the same as P, E port outlet positions.



With External Pilot Specifications



With option



L Dimension

n: Stations

L \ n	2	3	4	5	6	7	8	9	10	11	12	13	14	15	16
L1	148	160.5	185.5	198	210.5	223	248	260.5	273	285.5	310.5	323	335.5	360.5	373
L2	137.5	150	175	187.5	200	212.5	237.5	250	262.5	275	300	312.5	325	350	362.5
L3	118	134	150	166	182	198	214	230	246	262	278	294	310	326	342
L4	15	13.5	18	16	14.5	12.5	17	15.5	13.5	12	16.5	14.5	13	17.5	15.5
L5	80	96	112	128	144	160	176	192	208	224	240	256	272	288	304

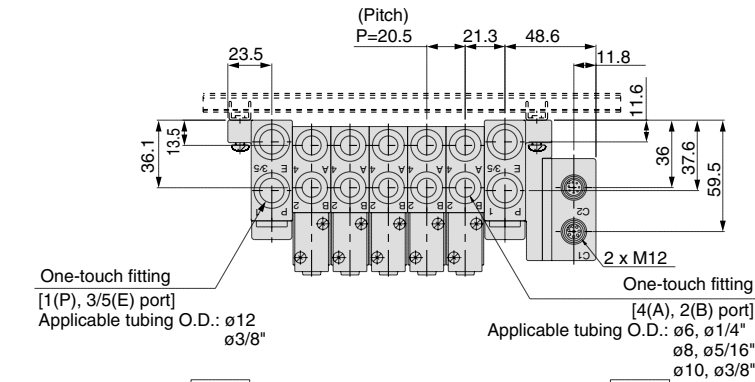
- SJ
- SY
- SV**
- SYJ
- SZ
- VP4
- S0700
- VQ
- VQ4
- VQ5
- VQC
- VQZ
- SQ
- VFS
- VFR
- VQ7

Series SV

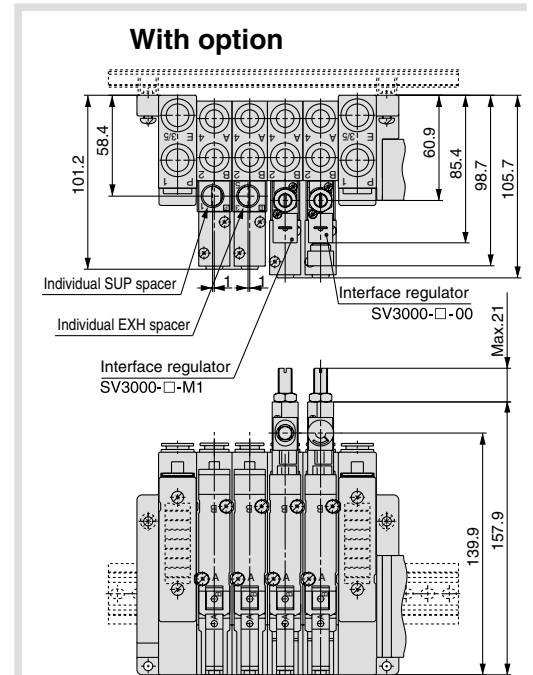
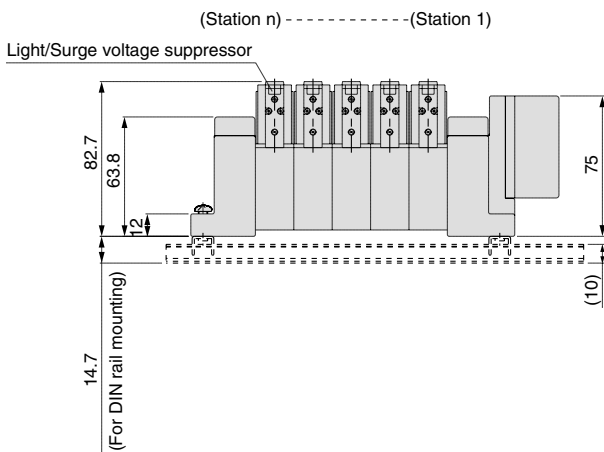
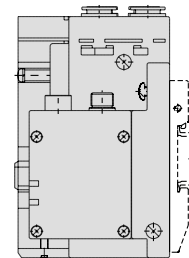
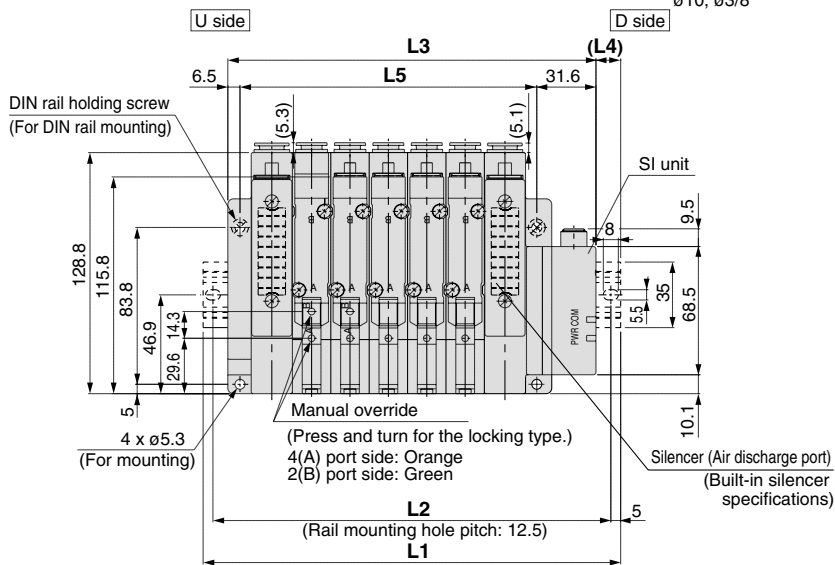
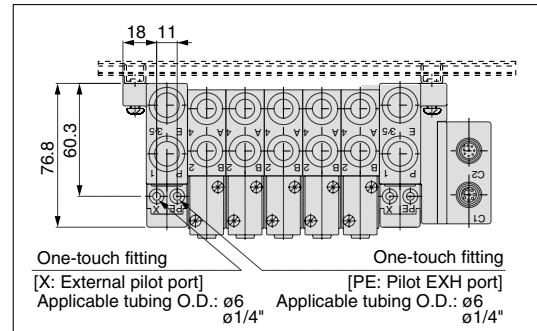
Dimensions: Series SV3000 for EX500 Gateway System Serial Transmission System

● Tie-rod base manifold: SS5V3-W10SA2WD- Stations $\frac{U}{D}$ (S, R, RS) $\frac{C6, N7}{C8, N9}$ (-D) $\frac{C10, N11}{}$

- When P, E port outlets are indicated on the U side or D side, the P, E ports on the opposite side are plugged.
- External pilot port positions and silencer discharge port positions are the same as P, E port outlet positions.



With External Pilot Specifications



L Dimension

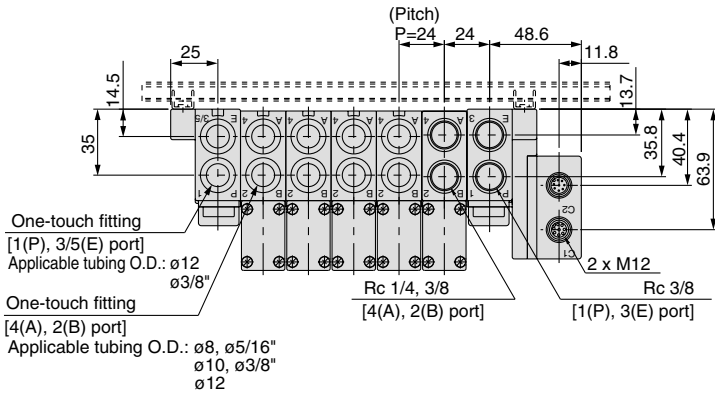
n	2	3	4	5	6	7	8	9	10	11	12	13	14	15	16
L1	160.5	185.5	210.5	223	248	273	285.5	310.5	323	348	373	385.5	410.5	435.5	448
L2	150	175	200	212.5	237.5	262.5	275	300	312.5	337.5	362.5	375	400	425	437.5
L3	135.1	155.6	176.1	196.6	217.1	237.6	258.1	278.6	299.1	319.6	340.1	360.6	381.1	401.6	422.1
L4	12.5	15	17	13	15.5	17.5	13.5	16	12	14	16.5	12.5	14.5	17	13
L5	97	117.5	138	158.5	179	199.5	220	240.5	261	281.5	302	322.5	343	363.5	384

n: Stations

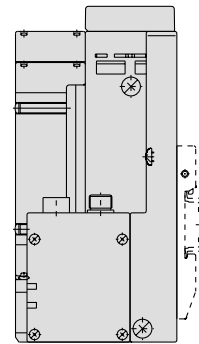
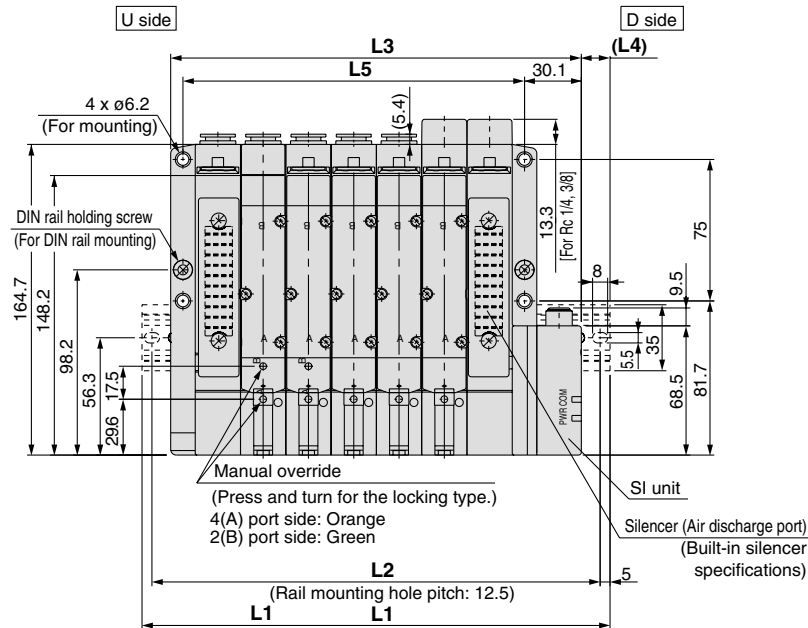
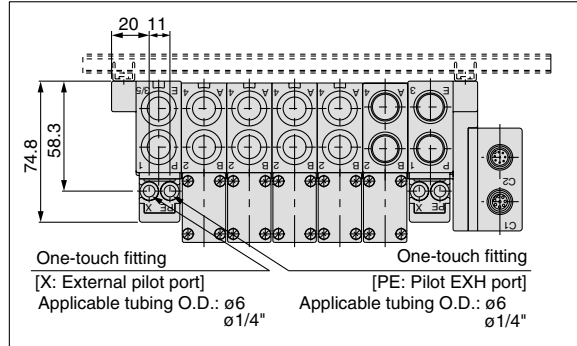
Dimensions: Series SV4000 for EX500 Gateway System Serial Transmission System

● Tie-rod base manifold: SS5V4-W10SA2WD-**Stations** $\frac{U}{D}$ (S, R, RS)- $\frac{02, C8, N9}{03, C10, N11}$ (-D)

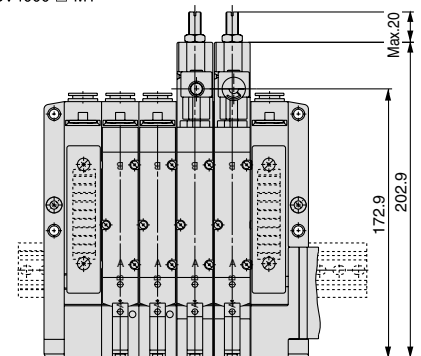
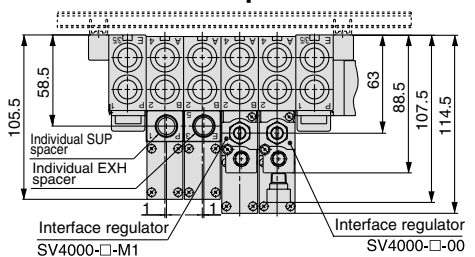
- When P, E port outlets are indicated on the U side or D side, the P, E ports on the opposite side are plugged.
- External pilot port positions and silencer discharge port positions are the same as P, E port outlet positions.



With External Pilot Specifications



With option



L Dimension

n	2	3	4	5	6	7	8	9	10	11	12	13	14	15	16
L1	173	198	223	248	273	298	323	348	373	385.5	410.5	435.5	460.5	485.5	510.5
L2	162.5	187.5	212.5	237.5	262.5	287.5	312.5	337.5	362.5	375	400	425	450	475	500
L3	145.6	169.6	193.6	217.6	241.6	265.6	289.6	313.6	337.6	361.6	385.6	409.6	433.6	457.6	481.6
L4	13.5	14	14.5	15	15.5	16	16.5	17	17.5	12	12.5	13	13.5	14	14.5
L5	109	133	157	181	205	229	253	277	301	325	349	373	397	421	445

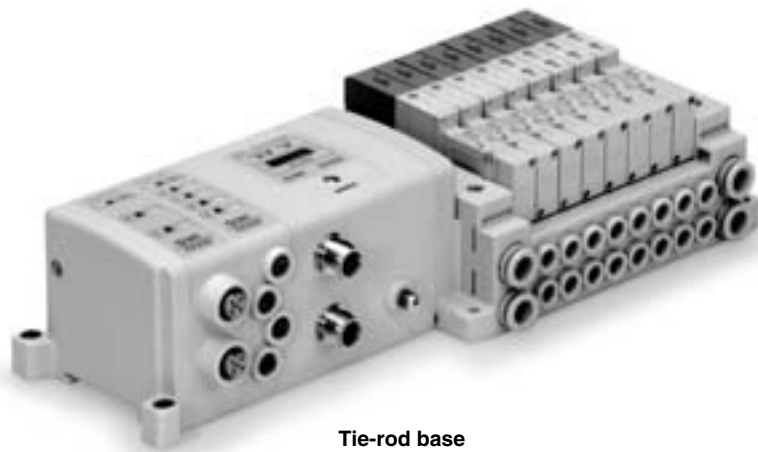
n: Stations

- SJ
- SY
- SV**
- SYJ
- SZ
- VP4
- S0700
- VQ
- VQ4
- VQ5
- VQC
- VQZ
- SQ
- VFS
- VFR
- VQ7

Integrated Type (for I/O) Serial Transmission System

Series *EX250*

IP67 (partly IP40) compliant



Tie-rod base

Applicable series **Tie-rod base manifold**
SV1000/SV2000/SV3000

- Number of inputs/outputs points: 32 points each

SJ

SY

SV

SYJ

SZ

VP4

S0700

VQ

VQ4

VQ5

VQC

VQZ

SQ

VFS

VFR

VQ7

EX250 Integrated Type (for I/O) Serial Transmission System Series SV



How to Order Manifold

● Tie-rod base

SS5V 1 - W10S1QW [] [] [] D - 05 U [] - [] - []

Series ●

1	SV1000
2	SV2000
3	SV3000

SI unit ●

Symbol	Protocol type
W10S10	Without SI unit
W10S1QW	DeviceNet
W10S1NW	PROFIBUS DP
W10S1VW	CC-Link
W10S1TAW	AS-Interface (8in/8out 31Slave Mode 2 power supply systems)
W10S1TBW	AS-Interface (4in/4out 31Slave Mode 2 power supply systems)
W10S1TCW (1)	AS-Interface (8in/8out 31Slave Mode 1 power supply systems)
W10S1TDW (1)	AS-Interface (4in/4out 31Slave Mode 1 power supply systems)
W10S1YW	CANopen
10S1ZCN (2)	ControlNet (IP40)
W10S1ZEN	EtherNet/IP

- Input blocks cannot be mounted without SI unit.
- When the DIN rail is included without an SI unit, the DIN rail length will accommodate an SI unit and one input block.
- Note 1) There is a limit to the supply current to the input block and valve from SI units that have AS-Interface-compliant 1 power supply systems. Refer to page 1667 for details.
- Note 2) When the SI unit is ControlNet compliant, it is also IP40-compliant. (All other SI units are IP67-compliant.)

Input block stations ●

Nil	None
1	1 station
⋮	⋮
8	8 stations

Note) Without SI unit, the symbol is nil.
When the SI unit is AS Interface compliant, the maximum number of stations is limited. Refer to page 1667 for details.

Input block type ●

Nil	Without input block	
1	M12: 2 inputs	EX250-IE1
2	M12: 4 inputs	EX250-IE2
3	M8: 4 inputs	EX250-IE3

Note) Without SI unit, the symbol is nil.

Input block specifications ●

Nil	PNP input (+COM) or without input block
N	NPN input (-COM)

Mounting ●

Nil	Direct mounting
D	DIN rail mounting (With DIN rail)
DO*	DIN rail mounting (Without DIN rail)
D3	For 3 stations (When a longer DIN rail is desired than the specified stations. (Specify a longer rail than the standard length.)
⋮	⋮
D20	For 20 stations

* In the case of DO, only DIN rail fittings are attached.

● SUP/EXH block assembly specifications

Nil	Internal pilot
S*	Internal pilot/Built-in silencer
R	External pilot
RS*	External pilot/Built-in silencer

Note) When the built-in silencer type is used, keep the exhaust port from coming in direct contact with water or other liquids.

● P, E port location

U	U side (2 to 10 stations)
D	D side (2 to 10 stations)
B	Both sides (2 to 20 stations)

● Valve stations

Symbol	Stations	Note
02	2 stations	(1) Double wiring specifications
⋮	⋮	
16	16 stations	(2) Specified layout (up to 32 solenoids possible.)
02	2 stations	
⋮	⋮	
20	20 stations	

- Note 1) Double wiring specifications: Single, double, 3 position and 4 position solenoid valves can be used on all manifold stations. Use of a single solenoid will result in an unused control signal. If this is not desired, order with a specified layout.
- Note 2) Specified layout: Indicate wiring specifications on the manifold specification sheet. (Note that double, 3 and 4 position valves cannot be used where single solenoid wiring has been specified.)
- When the SI unit is AS-Interface compliant, the maximum number of solenoids is as shown below, so please be careful of the number of stations.
- 8in/8out: Max. 8 solenoids
 - 4in/4out: Max. 4 solenoids

SI Unit Part No.

Symbol	Protocol type	Solenoid part no.
W10S1QW	DeviceNet	EX250-SDN1
W10S1NW	PROFIBUS DP	EX250-SPR1
W10S1VW	CC-Link	EX250-SMJ2
W10S1TAW	AS-Interface (8in/8out 31Slave Mode 2 power supply systems)	EX250-SAS3
W10S1TBW	AS-Interface (4in/4out 31Slave Mode 2 power supply systems)	EX250-SAS5
W10S1TCW	AS-Interface (8in/8out 31Slave Mode 1 power supply systems)	EX250-SAS7
W10S1TDW	AS-Interface (4in/4out 31Slave Mode 1 power supply systems)	EX250-SAS9
W10S1YW	CANopen	EX250-SCA1A
10S1ZCN	ControlNet (IP40)	EX250-SCN1
W10S1ZEN	EtherNet/IP	EX250-SEN1

A, B port size (metric) ●

Symbol	A, B port	P, E port	Applicable series
C3	One-touch fitting for ø3.2	One-touch fitting for ø8	SV1000
C4	One-touch fitting for ø4		
C6	One-touch fitting for ø6	One-touch fitting for ø10	SV2000
C4	One-touch fitting for ø4		
C6	One-touch fitting for ø6		
C8	One-touch fitting for ø8	One-touch fitting for ø12	SV3000
C6	One-touch fitting for ø6		
C8	One-touch fitting for ø8		
C10	One-touch fitting for ø10		
M	A, B ports mixed		

A, B port size (inch) ●

Symbol	A, B port	P, E port	Applicable series
N1	One-touch fitting for ø1/8"	One-touch fitting for ø5/16"	SV1000
N3	One-touch fitting for ø5/32"		
N7	One-touch fitting for ø1/4"	One-touch fitting for ø3/8"	SV2000
N3	One-touch fitting for ø5/32"		
N7	One-touch fitting for ø1/4"		
N9	One-touch fitting for ø5/16"	One-touch fitting for ø3/8"	SV3000
N7	One-touch fitting for ø1/4"		
N9	One-touch fitting for ø5/16"		
N11	One-touch fitting for ø3/8"		
M	A, B ports mixed		

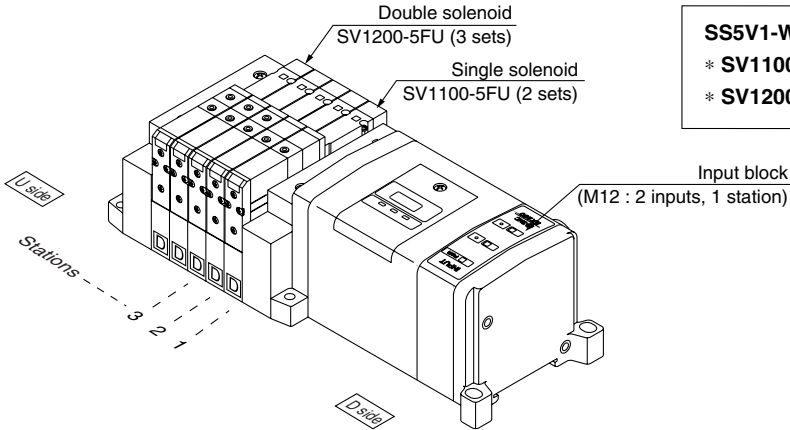
- * In the case of mixed specifications (M), indicate separately on the manifold specification sheet.
- * Port sizes of X, PE port for external pilot specifications (R, RS) are ø4 (metric), ø5/32" (inch) for SV1000/2000 and ø6 (metric) and ø1/4" (inch) for SV3000.

Refer to pages 1664 to 1679 for the details of EX250 integrated type serial transmission system.

How to Order Manifold Assembly

Ordering example (SV1000)

Manifold
SS5V1-W10S1QW11ND-05B-C6 (1 set)



SS5V1-W10S1QW11ND-05B-C6....1 set (manifold part no.)
* SV1100-5FU.....2 sets (Single solenoid part no.)
* SV1200-5FU.....3 sets (Double solenoid part no.)

How to Order Valve

SV 1 1 0 0 [] [] - 5 F [] [] - [] - []

Series ●

1	SV1000
2	SV2000
3	SV3000

Type of actuation ●

1	2 position single
2	2 position double
3	3 position closed center
4	3 position exhaust center
5	3 position pressure center
A	4 position dual 3 port valve: N.C./N.C.
B	4 position dual 3 port valve: N.O./N.O.
C	4 position dual 3 port valve: N.C./N.O.

*4 position dual 3 port valves are applicable to Series SV1000 and SV2000 only.

Pilot type ●

Nil	Internal pilot
R	External pilot

* External pilot specifications is not available for 4 position dual 3 port valves.

Back pressure check valve ●

Nil	None
K	Built-in

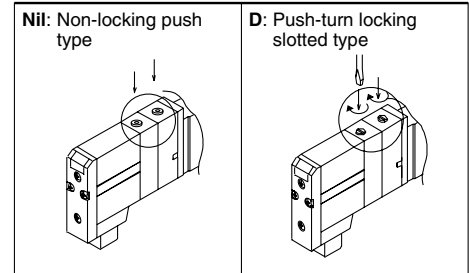
* Built-in back pressure check valve type is applicable to series SV1000 only.
* Back pressure check valve is not available for 3 position valve.

Note) Available with manifold block for station additions. Refer to page 433.

Made to Order ●

Nil	—
X90	Main valve fluoro rubber (Refer to page 448.)

Manual override



Light/Surge voltage suppressor

U	With light/surge voltage suppressor
R	With surge voltage suppressor

Rated voltage

5	24 VDC
---	--------



Refer to Specific Product Precautions 2 on page 450.

SJ
SY
SV
SYJ
SZ
VP4
S0700
VQ
VQ4
VQ5
VQC
VQZ
SQ
VFS
VFR
VQ7

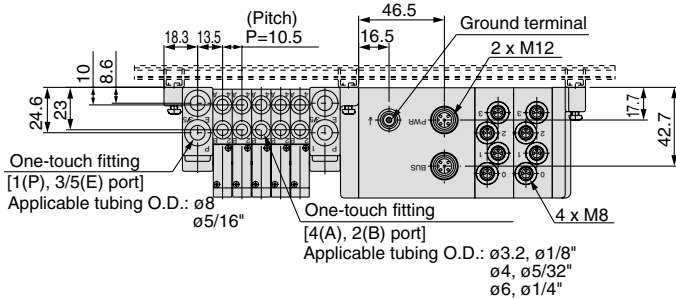
Series SV

Dimensions: Series SV1000 for EX250 Integrated Type (for I/O) Serial Transmission System

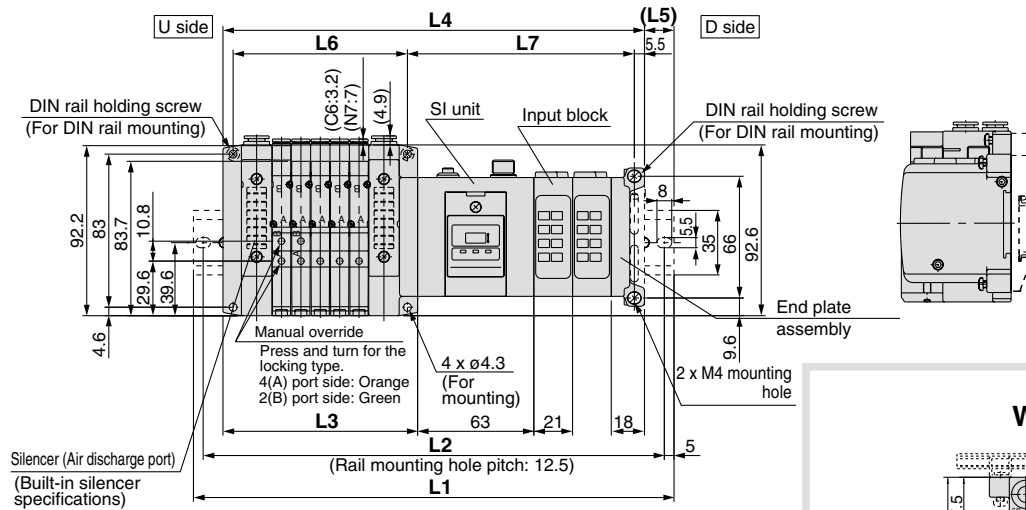
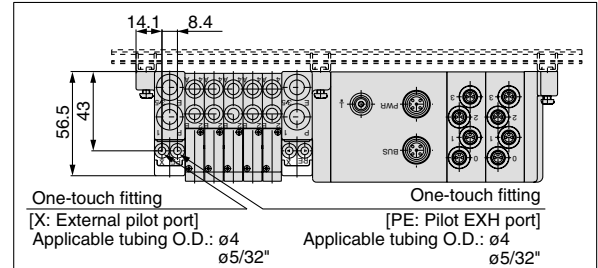
● Tie-rod base manifold: SS5V1-W10S1□□□□D- Stations $\frac{U}{D}$ (S, R, RS)- $\frac{C3, N1}{C4, N3}$ C6, N7 (-D)

- When P, E port outlets are indicated on the U side or D side, the P, E ports on the opposite side are plugged.
- External pilot port positions and silencer discharge port positions are the same as P, E port outlet positions.

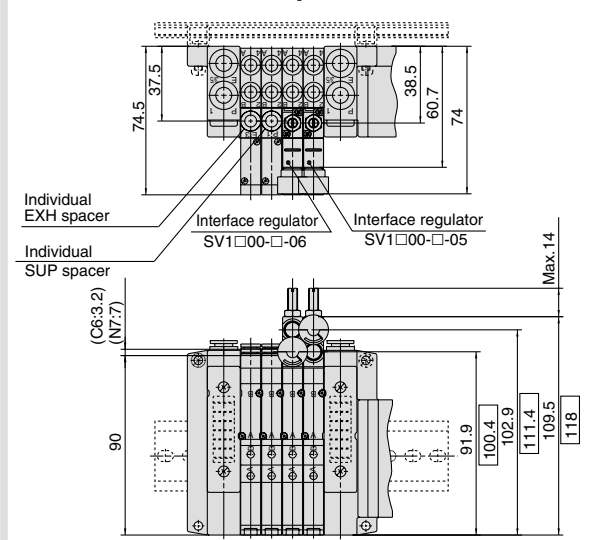
(With 2 input blocks)



With External Pilot Specifications



With option



□ Dimensions are the ones for SV1300-□□-□.

L1: DIN Rail Overall Length

Valve stations (n1) Input block Stations (n2)	2	3	4	5	6	7	8	9	10	11	12	13	14	15	16	17	18	19	20
0	185.5	198	210.5	210.5	223	235.5	248	260.5	273	273	285.5	298	310.5	323	335.5	348	348	360.5	373
1	210.5	210.5	223	235.5	248	260.5	273	273	285.5	298	310.5	323	335.5	348	348	360.5	373	385.5	398
2	223	235.5	248	260.5	273	273	285.5	298	310.5	323	335.5	348	348	360.5	373	385.5	398	410.5	410.5
3	248	260.5	273	273	285.5	298	310.5	323	335.5	348	348	360.5	373	385.5	398	410.5	410.5	423	435.5
4	273	273	285.5	298	310.5	323	335.5	348	348	360.5	373	385.5	398	410.5	410.5	423	435.5	448	460.5
5	285.5	298	310.5	323	335.5	348	348	360.5	373	385.5	398	410.5	423	435.5	448	460.5	473	473	473
6	310.5	323	335.5	348	348	360.5	373	385.5	398	410.5	410.5	423	435.5	448	460.5	473	473	485.5	498
7	335.5	348	348	360.5	373	385.5	398	410.5	410.5	423	435.5	448	460.5	473	473	485.5	498	510.5	523
8	348	360.5	373	385.5	398	410.5	410.5	423	435.5	448	460.5	473	473	485.5	498	510.5	523	535.5	535.5

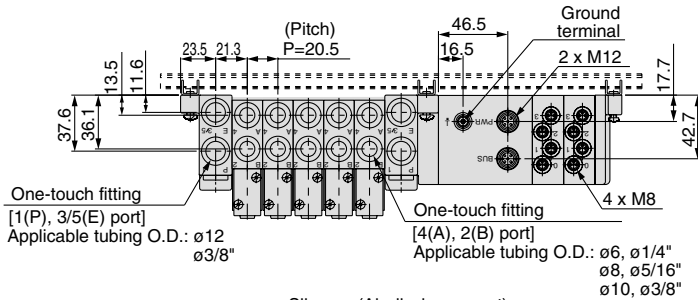
Series SV

Dimensions: Series SV3000 for EX250 Integrated Type (for I/O) Serial Transmission System

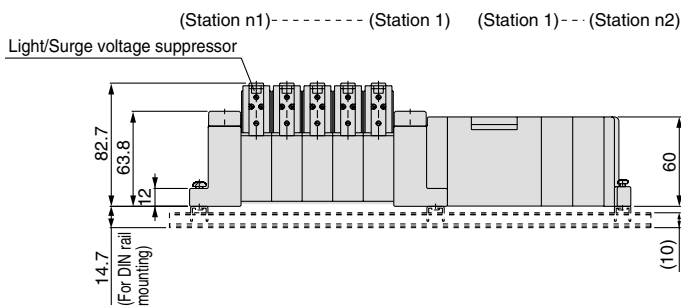
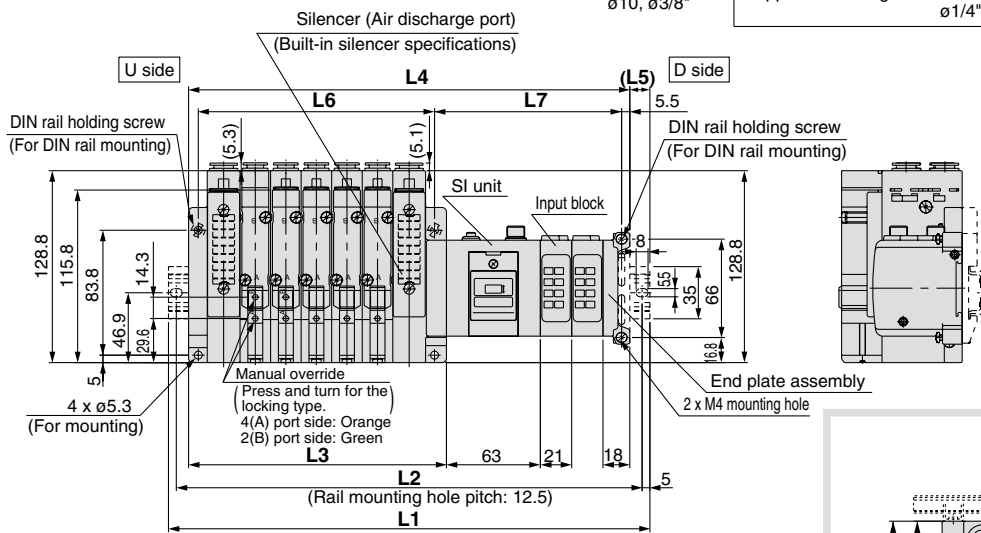
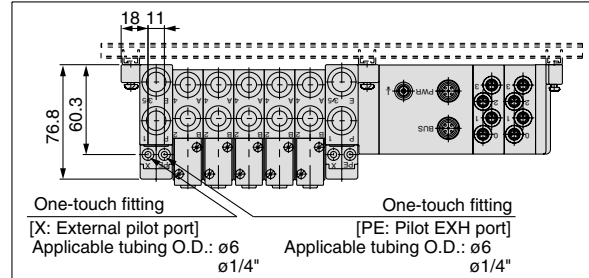
● Tie-rod base manifold: SS5V3-W10S1□□□□D- Stations $\frac{U}{B}$ (S, R, RS) $\frac{C6, N7}{C8, N9}$ (-D) $\frac{C10, N11}{C10, N11}$ (-D)

(With 2 input blocks)

- When P, E port outlets are indicated on the U side or D side, the P, E ports on the opposite side are plugged.
- External pilot port positions and silencer discharge port positions are the same as P, E port outlet positions.



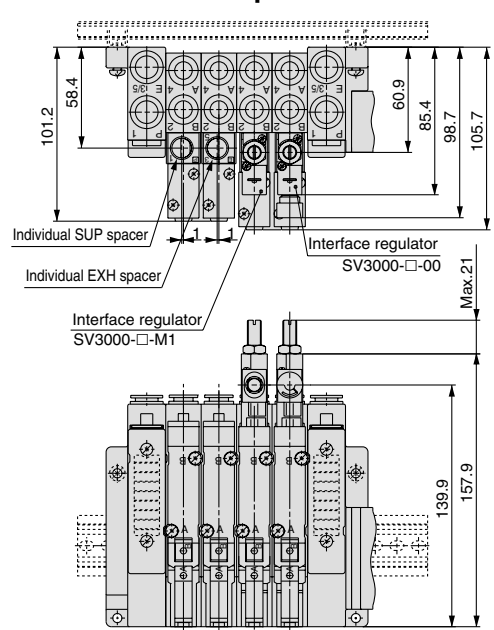
With External Pilot Specifications



n1 = Valve stations
n2 = Input block stations

$$\begin{aligned} L2 &= L1 - 10.5 \\ L3 &= 20.5 \times n1 + 70.5 \\ L4 &= L3 + 81 + 21 \times n2 \\ L5 &= (L1 - L4) / 2 \\ L6 &= 20.5 \times n1 + 56 \\ L7 &= 21 \times n2 + 83.5 \end{aligned}$$

With option



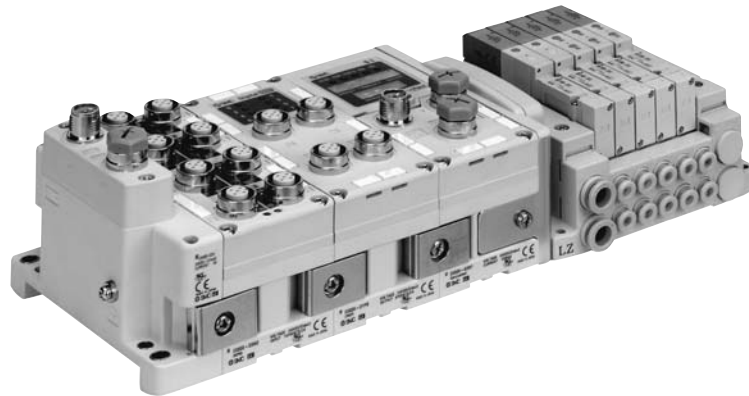
L1: DIN Rail Overall Length

Valve stations (n1) Input block Stations (n2)	2	3	4	5	6	7	8	9	10	11	12	13	14	15	16	17	18	19	20
0	223	248	260.5	285.5	298	323	348	360.5	385.5	410.5	423	448	473	485.5	510.5	535.5	548	573	585.5
1	248	260.5	285.5	310.5	323	348	360.5	385.5	410.5	423	448	473	485.5	510.5	535.5	548	573	585.5	610.5
2	260.5	285.5	310.5	323	348	360.5	385.5	410.5	423	448	473	485.5	510.5	535.5	548	573	598	610.5	635.5
3	285.5	310.5	323	348	373	385.5	410.5	423	448	473	485.5	510.5	535.5	548	573	598	610.5	635.5	648
4	310.5	323	348	373	385.5	410.5	423	448	473	485.5	510.5	535.5	548	573	598	610.5	635.5	660.5	673
5	323	348	373	385.5	410.5	435.5	448	473	485.5	510.5	535.5	548	573	598	610.5	635.5	660.5	673	698
6	348	373	385.5	410.5	435.5	448	473	485.5	510.5	535.5	548	573	598	610.5	635.5	660.5	673	698	723
7	373	385.5	410.5	435.5	448	473	498	510.5	535.5	548	573	598	610.5	635.5	660.5	673	698	723	735.5
8	385.5	410.5	435.5	448	473	498	510.5	535.5	548	573	598	610.5	635.5	660.5	673	698	723	735.5	760.5

Integrated Type (for I/O) Serial Transmission System

Series **EX600**

IP67 compliant



Tie-rod base

Applicable series **Tie-rod base manifold**
SV1000/SV2000/SV3000

- Digital input/output: Max. 144 inputs/144 outputs
- Analog input: Max. 18 channels
- Valve output: 32 outputs

SJ

SY

SV

SYJ

SZ

VP4

S0700

VQ

VQ4

VQ5

VQC

VQZ

SQ

VFS

VFR

VQ7

Series EX600



Series SV1000/2000/3000

How to Order

● Tie-rod Base

SS5V 1 - W10S6 Q [] [] [] D - 05 U [] - C6 - []

Series

1	SV1000
2	SV2000
3	SV3000

Protection class IP67

SI Unit

0	Without SI Unit
Q	DeviceNet™ type
N	PROFIBUS DP type
V	CC-Link type

- I/O units cannot be chosen without SI Unit.
- Without SI Unit type does not include the Valve Plate to connect the valve manifold and SI Unit. Refer to back page 5 in CAT.E02-24A for mounting method.

End plate type

Nil	No end plate
2	M12 connector power supply (Max. supply current 2A)
3	7/8 inch connector power supply (Max. supply current 8A)

Note) Without SI Unit, the symbol is nil.

SI Unit COM.

Nil	+COM.
N	-COM.

Note) Without SI Unit, the symbol is nil.

I/O unit sta. number

Nil	None
1	1 sta.
⋮	⋮
9	9 sta.

- Note 1) Without SI Unit, the symbol is nil.
 Note 2) SI Unit is not included in I/O unit station number.
 Note 3) When I/O unit is selected, it is shipped separately, and assembled by customer. Refer to the attached instruction manual for mounting method.

Valve stations

Symbol	Stations	Note
02	2 sta.	Double wiring specification ^{Note 1)}
⋮	⋮	
16	16 sta.	
02	2 sta.	Specified layout ^{Note 2)} (Up to 32 solenoids possible)
⋮	⋮	
20	20 sta.	

- Note 1) Double wiring specifications: Single, double, 3 position and 4 position solenoid valves can be used at all of the manifold stations. When single solenoid is used, control signal which is not assigned to any number is made. If empty signal is not wanted, please order with signal layout specified.
- Note 2) Specified layout: Indicate wiring specifications with the manifold specification sheet. (Note that double, 3 position and 4 position valves cannot be used where single solenoid wiring has been specified.)

A, B port size (Metric)

Symbol	A, B port	P, E port	Applicable series
C3	ø3.2 one-touch fitting	ø8 one-touch fitting	SV1000
C4	ø4 one-touch fitting		
C6	ø6 one-touch fitting		
C4	ø4 one-touch fitting	ø10 one-touch fitting	SV2000
C6	ø6 one-touch fitting		
C8	ø8 one-touch fitting		
C6	ø6 one-touch fitting	ø12 one-touch fitting	SV3000
C8	ø8 one-touch fitting		
C10	ø10 one-touch fitting		
M	A, B port mixed		

A, B port size (Inch)

Symbol	A, B port	P, E port	Applicable series
N1	ø1/8" one-touch fitting	ø5/16" one-touch fitting	SV1000
N3	ø5/32" one-touch fitting		
N7	ø1/4" one-touch fitting		
N3	ø5/32" one-touch fitting	ø3/8" one-touch fitting	SV2000
N7	ø1/4" one-touch fitting		
N9	ø5/16" one-touch fitting		
N7	ø1/4" one-touch fitting	ø3/8" one-touch fitting	SV3000
N9	ø5/16" one-touch fitting		
N11	ø3/8" one-touch fitting		
M	A, B port mixed		

* In the case of Mixed specifications (M), indicate separately with the manifold specification sheet.

* Regarding the X and PE port size of External pilot type (R), and X port size of External pilot/Built-in silencer type (RS), ø4 (mm) and ø5/32" (inch) for the SV1000/2000 series, ø6 (mm) and, ø1/4" (inch) for the SV3000 series.

Mounting

Nil	Direct mounting
D	DIN rail mounting (With DIN rail)
D0 ^{Note 1)}	DIN rail mounting (Without DIN rail)
D3	For 3 sta.
⋮	⋮
D20	For 20 sta.

When a longer DIN rail is desired than the specified stations. (Specify a longer rail than the standard length.)

- Note 1) In the case of D0, only DIN rail mounting bracket is attached.
- Note 2) DIN rail is not attached (but shipped together) on the manifold in the case of with DIN rail. Refer to the SV series catalog for mounting method.
- Note 3) When DIN rail mounting (with DIN rail) is selected for the SV3000 series, and I/O unit station number is 9, and max. valve station number is 18. DIN rail mounting (with DIN rail) cannot be specified for 19 and 20 stations. (Refer to the DIN rail total length on page 370-8 and 370-9.)
- Note 4) Please consult SMC when changing from direct mounting to DIN rail mounting.
- Note 5) Without SI unit (S60), DIN rail (D) is not available.

● SUP/EXH block assembly

Nil	Internal pilot
S ^{Note)}	Internal pilot, Built-in silencer
R	External pilot
RS ^{Note)}	External pilot, Built-in silencer

Note) When the built-in silencer type is used, keep the exhaust port from coming in direct contact with water or other liquids.

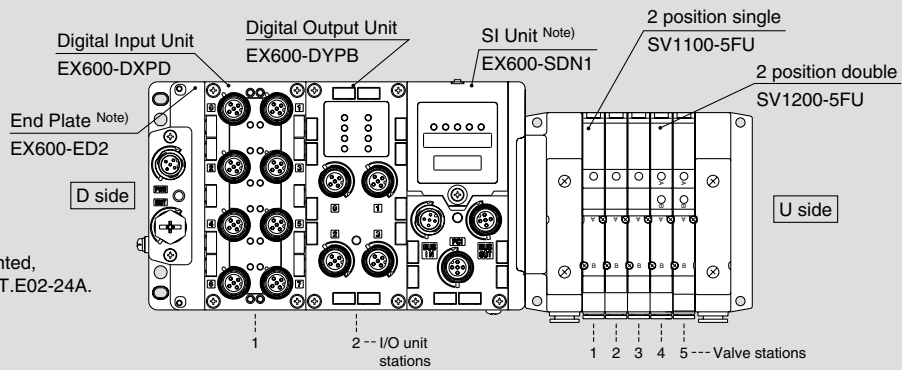
● P, E port entry

U	U side (2 sta. to 10 sta.)
D	D side (2 sta. to 10 sta.)
B	B side (2 sta. to 20 sta.)

How to Order Manifold Assembly (Example)

Example (SS5V1)

Manifold
Power supply with
M12 connector



For the I/O unit part number mounted, refer to the following pages in CAT.E02-24A.

- Digital Input Unit P.27
- Digital Output Unit P.31
- Analog Input Unit P.33

Serial transmission kit

- SS5V1-W10S6Q2N2D-05B-C6 1 set
- * SV1100-5FU 3 sets
- * SV1200-5FU 2 sets
- * EX600-DXPB 1 set
- * EX600-DYPB 1 set

- Manifold base part number
- Valve part number (Stations 1 to 3)
- Valve part number (Stations 4 to 5)
- I/O unit part number (Station 1)
- I/O unit part number (Station 2)

Enter in order starting from the first station on the D side.
When entry of part numbers becomes complicated, indicate with the manifold specification sheet.
Enter in order starting from the first station on the D side.
When entry of part numbers becomes complicated, indicate with the manifold specification sheet.

Note) Do not enter the SI Unit part number and the End Plate part number together.

—The asterisk denotes the symbol for assembly.
Prefix it to the part nos. of the solenoid valve, etc.

How to Order Valves

SV 1 1 00 - 5 FU -

Series

1	SV1000
2	SV2000
3	SV3000

Type of actuation

1	2 position single solenoid
2	2 position double solenoid
3	3 position closed center
4	3 position exhaust center
5	3 position pressure center
A	4 position dual 3 port valve: N.C./N.C.
B	4 position dual 3 port valve: N.O./N.O.
C	4 position dual 3 port valve: N.C./N.O.

* 4 position dual 3 port valves are applicable to the SV1000/2000 series only.

Pilot specifications

Nil	Internal pilot
R	External pilot

* External pilot specification is not available for 4 position dual 3 port valves.

Back pressure check valve

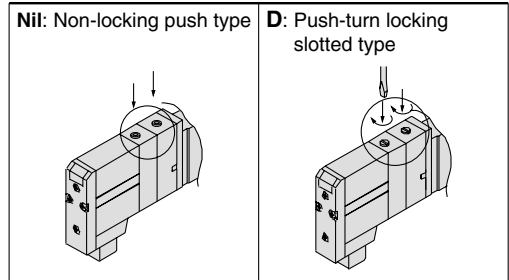
Nil	None
K	Built-in

* Built-in back pressure check valve type is applicable to the SV1000 series only.
* The 3 position valve is not available with the back pressure check valve.

Made to Order

Nil	—
X90	Fluorine rubber specification

Manual override



Light/surge voltage suppressor

U	With light/surge voltage suppressor
R	With surge voltage suppressor

Coil voltage

5	24 VDC
---	--------

SJ

SY

SV

SYJ

SZ

VP4

S0700

VQ

VQ4

VQ5

VQC

VQZ

SQ

VFS

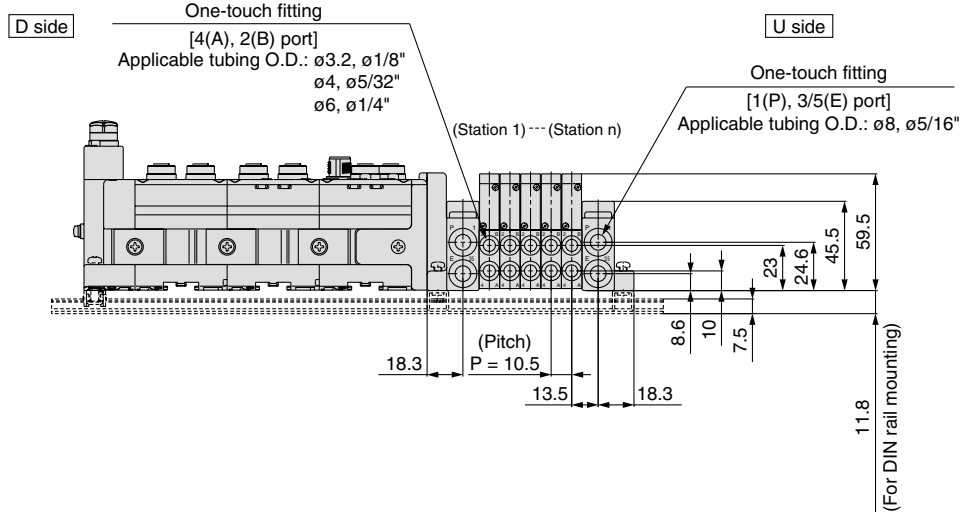
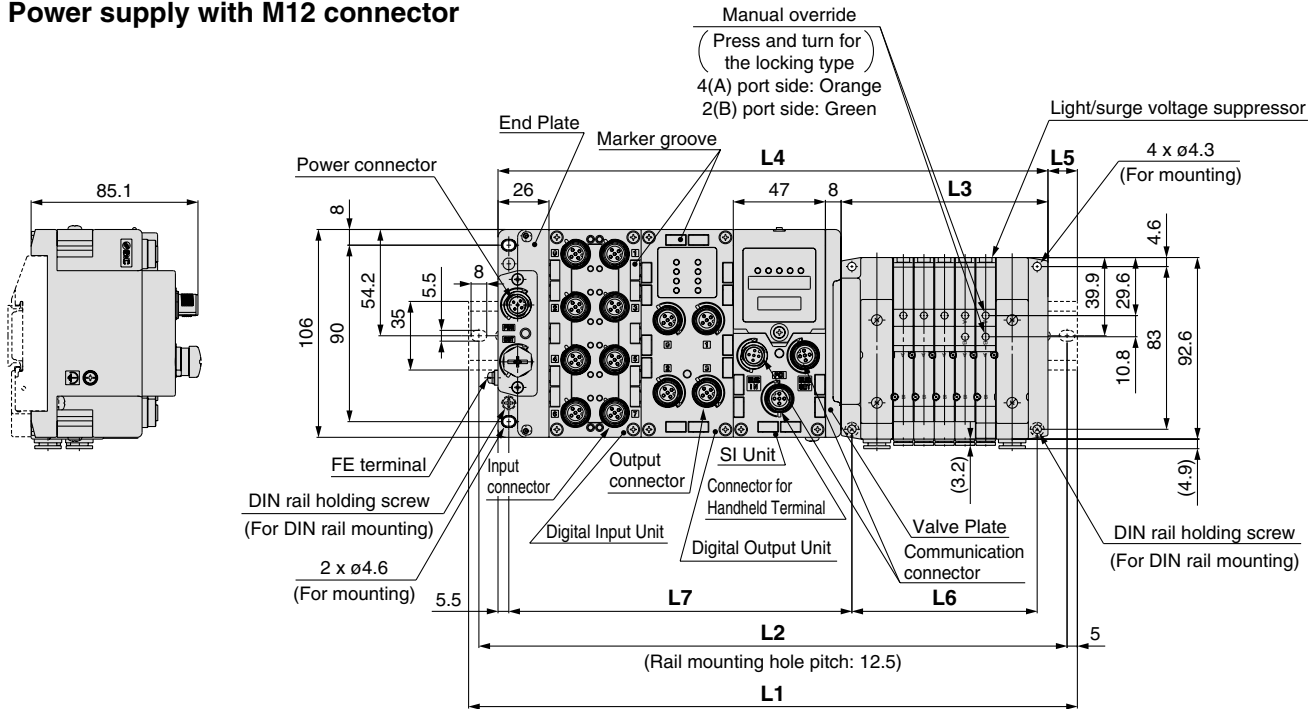
VFR

VQ7

Series SV

Dimensions: Series SV1000

Power supply with M12 connector



$$L2 = L1 - 10.5$$

$$L3 = 10.5 \times n1 + 53$$

$$L4 = L3 + 81 + 47 \times n2$$

$$L5 = (L1 - L4)/2$$

$$L6 = 10.5 \times n1 + 42$$

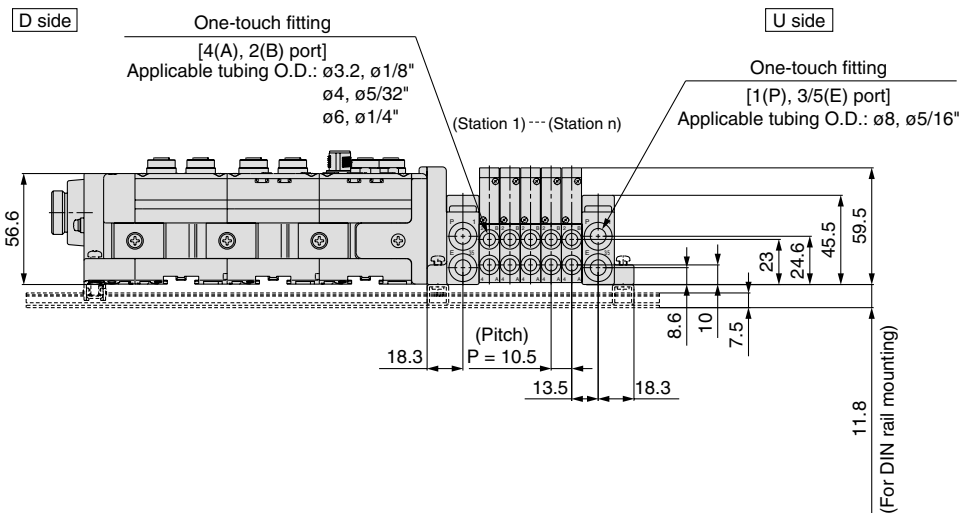
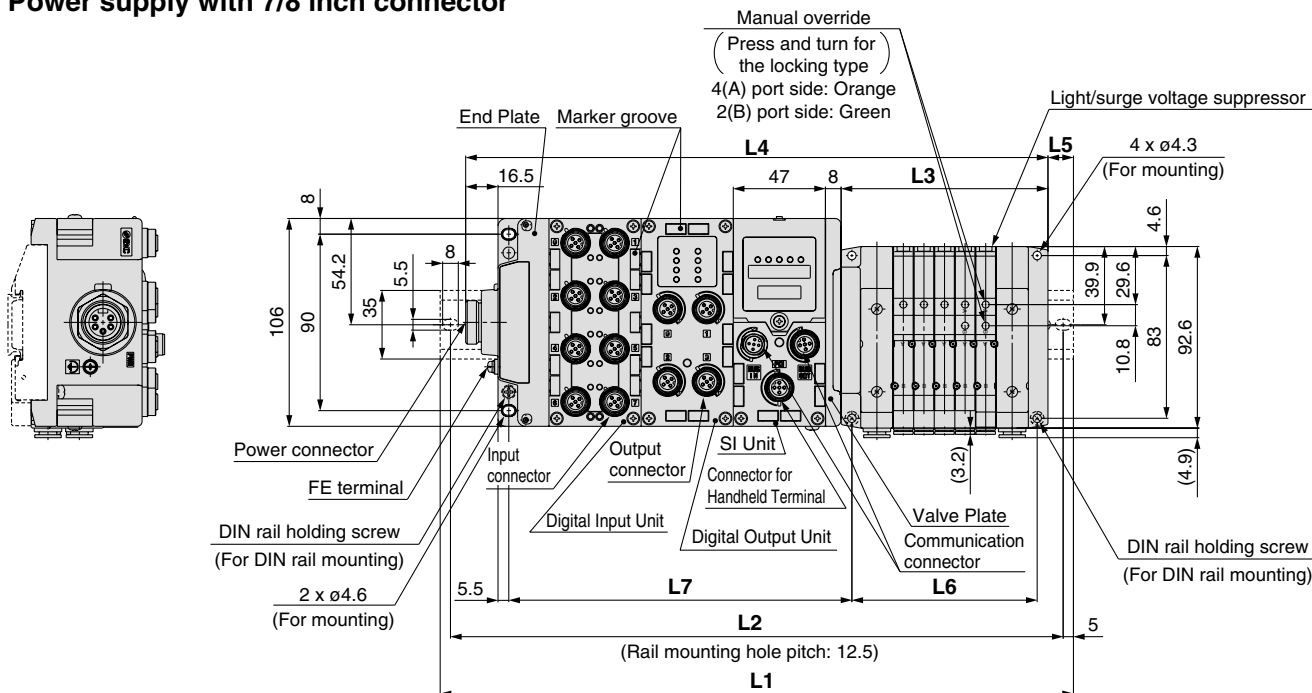
$$L7 = 47 \times n2 + 81$$

L1: DIN Rail Overall Length

I/O unit stations (n2) \ Valve stations (n1)	2	3	4	5	6	7	8	9	10	11	12	13	14	15	16	17	18	19	20
0	185.5	198	210.5	210.5	223	235.5	248	260.5	273	273	285.5	298	310.5	323	335.5	348	348	360.5	373
1	235.5	248	248	260.5	273	285.5	298	310.5	310.5	323	335.5	348	360.5	373	373	385.5	398	410.5	423
2	273	285.5	298	310.5	323	335.5	335.5	348	360.5	373	385.5	398	410.5	410.5	423	435.5	448	460.5	473
3	323	335.5	348	360.5	373	373	385.5	398	410.5	423	435.5	435.5	448	460.5	473	485.5	498	498	510.5
4	373	385.5	398	398	410.5	423	435.5	448	460.5	473	473	485.5	498	510.5	523	535.5	535.5	548	560.5
5	423	435.5	435.5	448	460.5	473	485.5	498	498	510.5	523	535.5	548	560.5	560.5	573	585.5	598	610.5
6	460.5	473	485.5	498	510.5	523	535.5	535.5	548	560.5	573	585.5	598	598	610.5	623	635.5	648	660.5
7	510.5	523	535.5	548	560.5	560.5	573	585.5	598	610.5	623	623	635.5	648	660.5	673	685.5	698	698
8	560.5	573	585.5	598	598	610.5	623	635.5	648	660.5	660.5	673	685.5	698	710.5	723	723	735.5	748
9	610.5	623	623	635.5	648	660.5	673	685.5	685.5	698	710.5	723	735.5	748	760.5	760.5	773	785.5	798

Dimensions: Series SV1000

Power supply with 7/8 inch connector



$L2 = L1 - 10.5$
 $L3 = 10.5 \times n1 + 53$
 $L4 = L3 + 97.5 + 47 \times n2$
 $L5 = (L1 - L4)/2$
 $L6 = 10.5 \times n1 + 42$
 $L7 = 47 \times n2 + 81$

L1: DIN Rail Overall Length

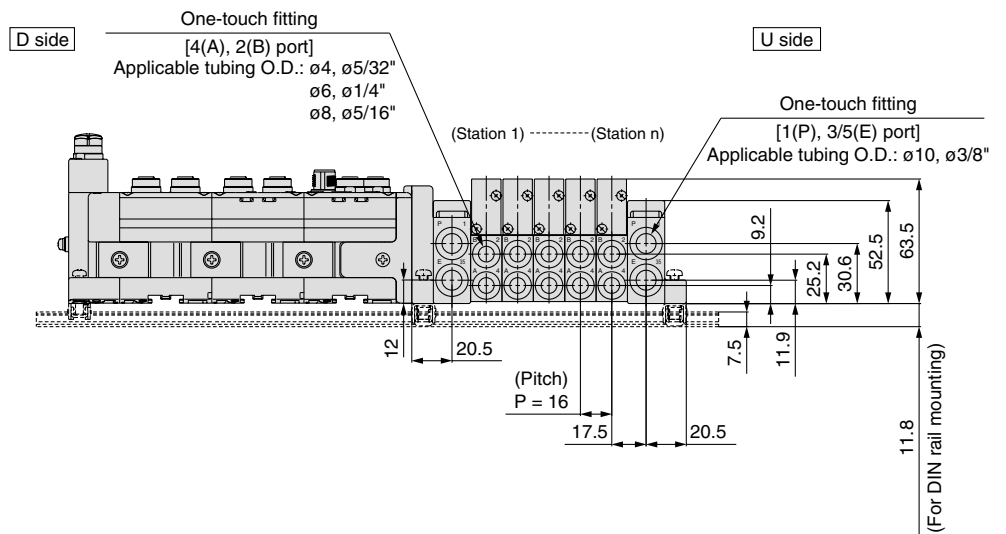
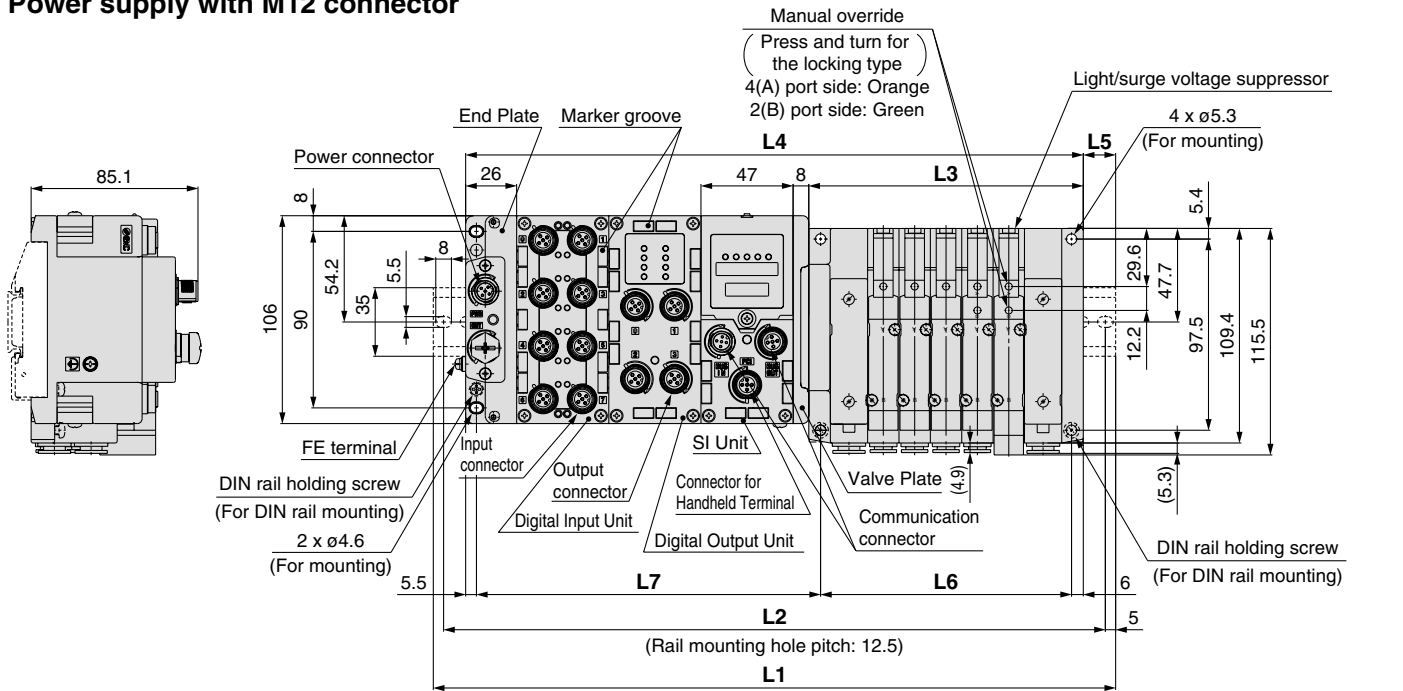
I/O unit stations (n2) \ Valve stations (n1)	2	3	4	5	6	7	8	9	10	11	12	13	14	15	16	17	18	19	20
0	198	210.5	223	235.5	248	248	260.5	273	285.5	298	310.5	310.5	323	335.5	348	360.5	373	385.5	385.5
1	248	260.5	273	285.5	285.5	298	310.5	323	335.5	348	348	360.5	373	385.5	398	410.5	410.5	423	435.5
2	298	310.5	310.5	323	335.5	348	360.5	373	373	385.5	398	410.5	423	435.5	448	448	460.5	473	485.5
3	348	348	360.5	373	385.5	398	410.5	410.5	423	435.5	448	460.5	473	473	485.5	498	510.5	523	535.5
4	385.5	398	410.5	423	435.5	435.5	448	460.5	473	485.5	498	510.5	510.5	523	535.5	548	560.5	573	573
5	435.5	448	460.5	473	473	485.5	498	510.5	523	535.5	535.5	548	560.5	573	585.5	598	598	610.5	623
6	485.5	498	498	510.5	523	535.5	548	560.5	573	573	585.5	598	610.5	623	635.5	635.5	648	660.5	673
7	535.5	535.5	548	560.5	573	585.5	598	598	610.5	623	635.5	648	660.5	660.5	673	685.5	698	710.5	723
8	573	585.5	598	610.5	623	635.5	635.5	648	660.5	673	685.5	698	698	710.5	723	735.5	748	760.5	760.5
9	623	635.5	648	660.5	660.5	673	685.5	698	710.5	723	723	735.5	748	760.5	773	785.5	798	798	810.5

- SJ
- SY
- SV**
- SYJ
- SZ
- VP4
- S0700
- VQ
- VQ4
- VQ5
- VQC
- VQZ
- SQ
- VFS
- VFR
- VQ7

Series SV

Dimensions: Series SV2000

Power supply with M12 connector



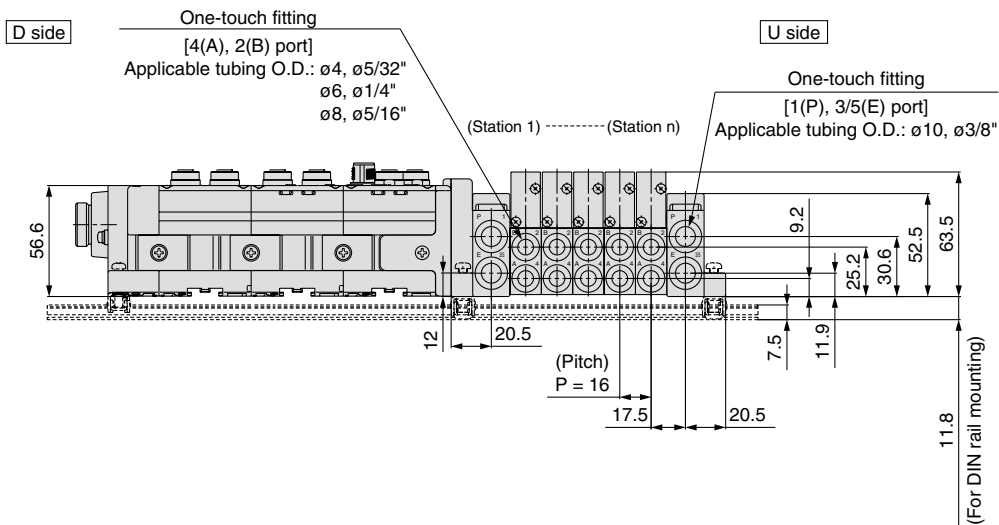
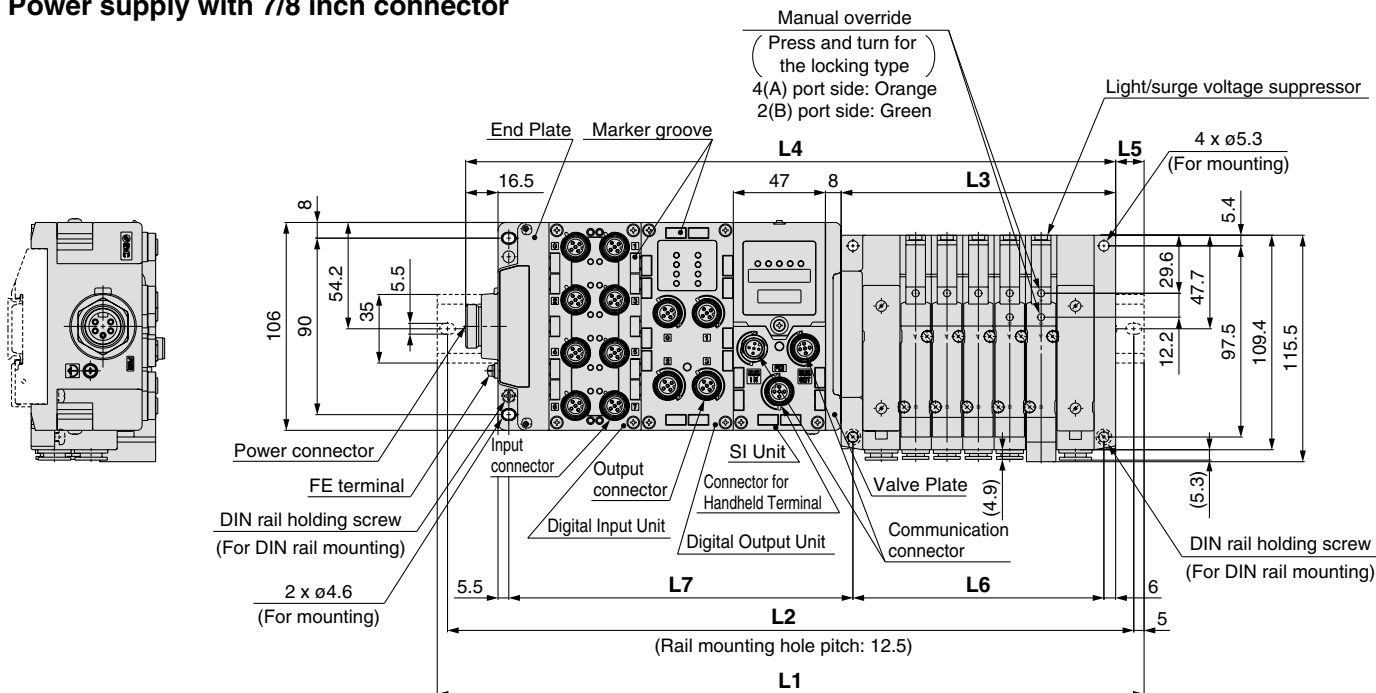
$$\begin{aligned}
 L2 &= L1 - 10.5 \\
 L3 &= 16 \times n1 + 60 \\
 L4 &= L3 + 81 + 47 \times n2 \\
 L5 &= (L1 - L4)/2 \\
 L6 &= 16 \times n1 + 48 \\
 L7 &= 47 \times n2 + 81.5
 \end{aligned}$$

L1: DIN Rail Overall Length

I/O unit stations (n2) \ Valve stations (n1)	2	3	4	5	6	7	8	9	10	11	12	13	14	15	16	17	18	19	20
0	198	223	235.5	248	260.5	285.5	298	310.5	335.5	348	360.5	373	398	410.5	423	448	460.5	473	485.5
1	248	260.5	285.5	298	310.5	335.5	348	360.5	373	398	410.5	423	435.5	460.5	473	485.5	510.5	523	535.5
2	298	310.5	323	348	360.5	373	398	410.5	423	435.5	460.5	473	485.5	510.5	523	535.5	548	573	585.5
3	348	360.5	373	385.5	410.5	423	435.5	460.5	473	485.5	498	523	535.5	548	573	585.5	598	610.5	635.5
4	385.5	410.5	423	435.5	460.5	473	485.5	498	523	535.5	548	560.5	585.5	598	610.5	635.5	648	660.5	673
5	435.5	448	473	485.5	498	523	535.5	548	560.5	585.5	598	610.5	635.5	648	660.5	673	698	710.5	723
6	485.5	498	510.5	535.5	548	560.5	585.5	598	610.5	623	648	660.5	673	698	710.5	723	735.5	760.5	773
7	535.5	548	560.5	585.5	598	610.5	623	648	660.5	673	685.5	710.5	723	735.5	760.5	773	785.5	798	823
8	573	598	610.5	623	648	660.5	673	685.5	710.5	723	735.5	760.5	773	785.5	798	823	835.5	848	860.5
9	623	635.5	660.5	673	685.5	710.5	723	735.5	748	773	785.5	798	823	835.5	848	860.5	885.5	898	910.5

Dimensions: Series SV2000

Power supply with 7/8 inch connector



$L2 = L1 - 10.5$
 $L3 = 16 \times n1 + 60$
 $L4 = L3 + 97.5 + 47 \times n2$
 $L5 = (L1 - L4)/2$
 $L6 = 16 \times n1 + 48$
 $L7 = 47 \times n2 + 81.5$

L1: DIN Rail Overall Length

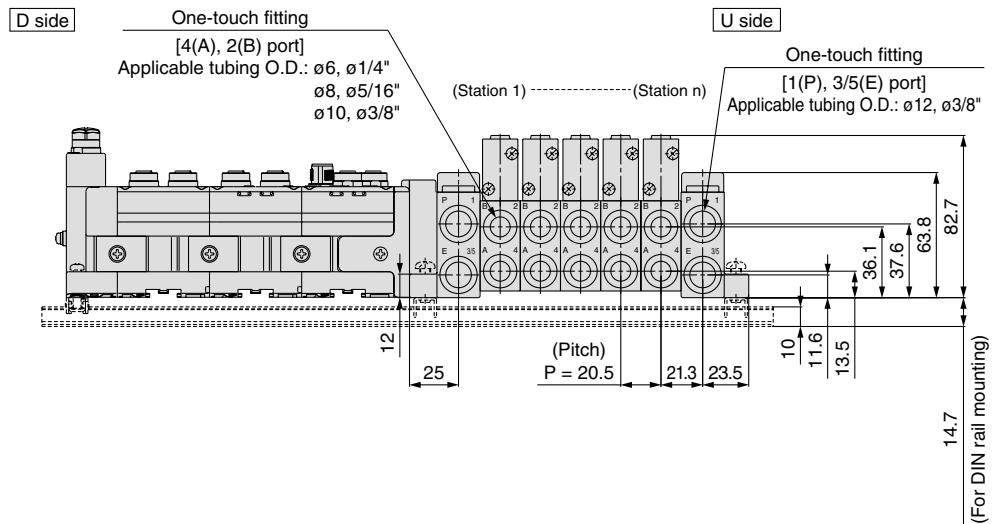
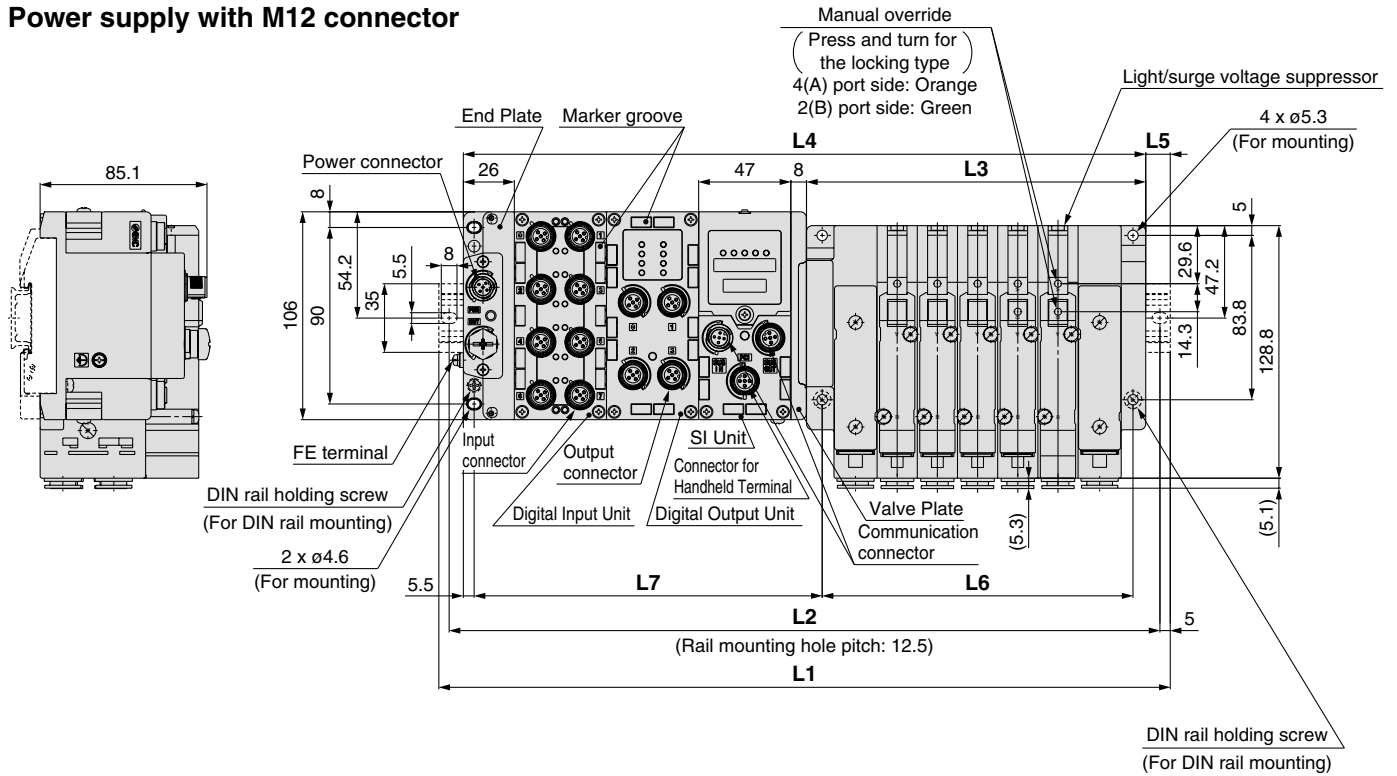
I/O unit stations (n2) \ Valve stations (n1)	2	3	4	5	6	7	8	9	10	11	12	13	14	15	16	17	18	19	20
0	223	235.5	248	273	285.5	298	310.5	335.5	348	360.5	373	398	410.5	423	448	460.5	473	485.5	510.5
1	260.5	285.5	298	310.5	335.5	348	360.5	373	398	410.5	423	448	460.5	473	485.5	510.5	523	535.5	548
2	310.5	323	348	360.5	373	398	410.5	423	435.5	460.5	473	485.5	510.5	523	535.5	548	573	585.5	598
3	360.5	373	398	410.5	423	435.5	460.5	473	485.5	498	523	535.5	548	573	585.5	598	610.5	635.5	648
4	410.5	423	435.5	460.5	473	485.5	498	523	535.5	548	573	585.5	598	610.5	635.5	648	660.5	673	698
5	448	473	485.5	498	523	535.5	548	560.5	585.5	598	610.5	635.5	648	660.5	673	698	710.5	723	748
6	498	523	535.5	548	560.5	585.5	598	610.5	623	648	660.5	673	698	710.5	723	735.5	760.5	773	785.5
7	548	560.5	585.5	598	610.5	623	648	660.5	673	698	710.5	723	735.5	760.5	773	785.5	798	823	835.5
8	598	610.5	623	648	660.5	673	685.5	710.5	723	735.5	760.5	773	785.5	798	823	835.5	848	873	885.5
9	648	660.5	673	685.5	710.5	723	735.5	748	773	785.5	798	823	835.5	848	860.5	885.5	898	910.5	935.5

- SJ
- SY
- SV**
- SYJ
- SZ
- VP4
- S0700
- VQ
- VQ4
- VQ5
- VQC
- VQZ
- SQ
- VFS
- VFR
- VQ7

Series SV

Dimensions: Series SV3000

Power supply with M12 connector



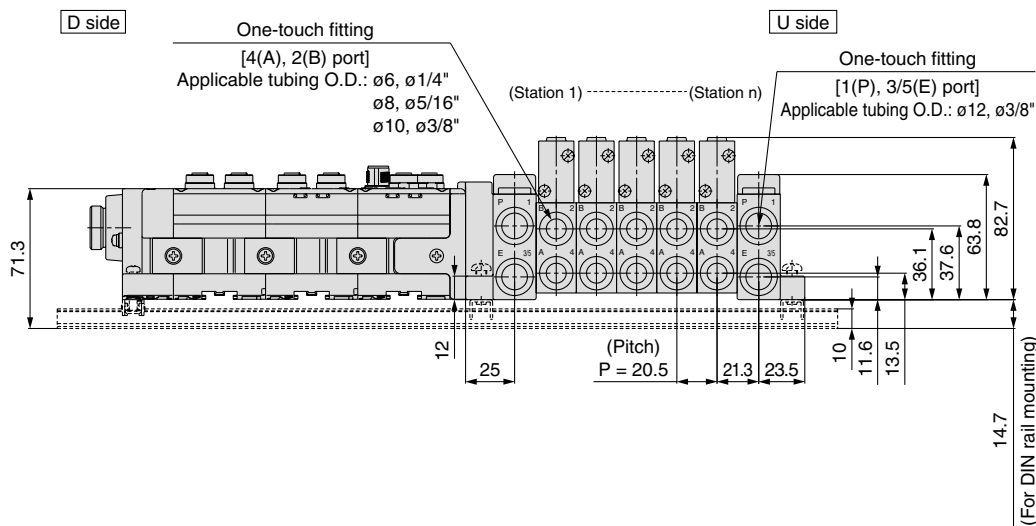
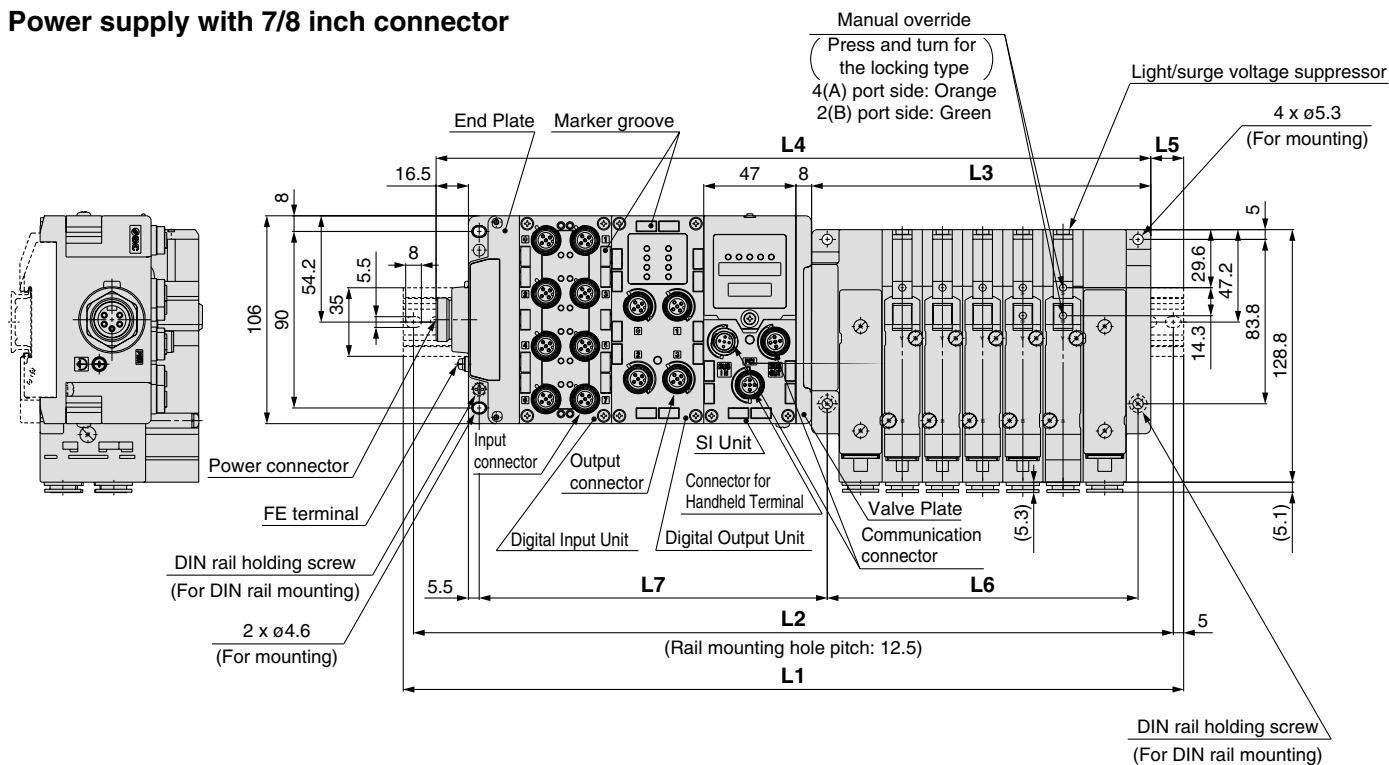
$L2 = L1 - 10.5$
 $L3 = 20.5 \times n1 + 70.5$
 $L4 = L3 + 81 + 47 \times n2$
 $L5 = (L1 - L4)/2$
 $L6 = 20.5 \times n1 + 56$
 $L7 = 47 \times n2 + 83.5$

L1: DIN Rail Overall Length

I/O unit stations (n2) \ Valve stations (n1)	2	3	4	5	6	7	8	9	10	11	12	13	14	15	16	17	18	19	20
0	223	248	260.5	285.5	298	323	348	360.5	385.5	410.5	423	448	473	485.5	510.5	535.5	548	573	585.5
1	273	285.5	310.5	335.5	348	373	398	410.5	435.5	448	473	498	510.5	535.5	560.5	573	598	623	635.5
2	310.5	335.5	360.5	373	398	423	435.5	460.5	485.5	498	523	535.5	560.5	585.5	598	623	648	660.5	685.5
3	360.5	385.5	398	423	448	460.5	485.5	510.5	523	548	573	585.5	610.5	635.5	648	673	685.5	710.5	735.5
4	410.5	435.5	448	473	498	510.5	535.5	548	573	598	610.5	635.5	660.5	673	698	723	735.5	760.5	773
5	460.5	473	498	523	535.5	560.5	585.5	598	623	635.5	660.5	685.5	698	723	748	760.5	785.5	810.5	823
6	498	523	548	560.5	585.5	610.5	623	648	673	685.5	710.5	735.5	748	773	785.5	810.5	835.5	848	873
7	548	573	598	610.5	635.5	648	673	698	710.5	735.5	760.5	773	798	823	835.5	860.5	873	898	923
8	598	623	635.5	660.5	685.5	698	723	735.5	760.5	785.5	798	823	848	860.5	885.5	910.5	923	948	973
9	648	660.5	685.5	710.5	723	748	773	785.5	810.5	835.5	848	873	885.5	910.5	935.5	948	973	—	—

Dimensions: Series SV3000

Power supply with 7/8 inch connector



$L2 = L1 - 10.5$
 $L3 = 20.5 \times n1 + 70.5$
 $L4 = L3 + 97.5 + 47 \times n2$
 $L5 = (L1 - L4) / 2$
 $L6 = 20.5 \times n1 + 56$
 $L7 = 47 \times n2 + 83.5$

L1: DIN Rail Overall Length

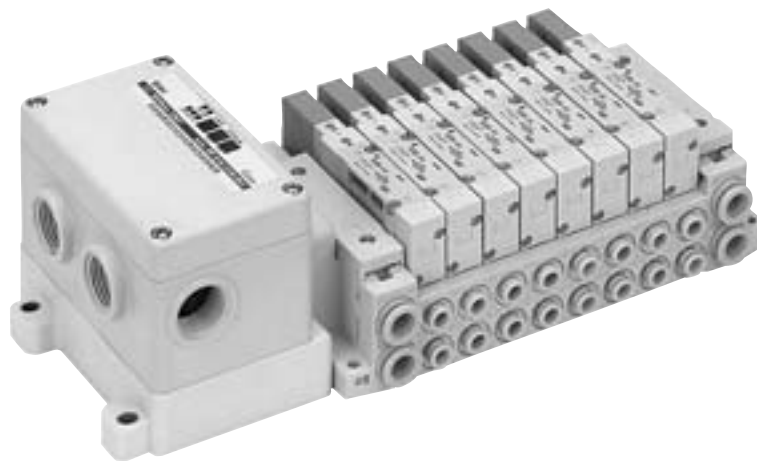
I/O unit stations (n2) \ Valve stations (n1)	2	3	4	5	6	7	8	9	10	11	12	13	14	15	16	17	18	19	20
0	235.5	260.5	285.5	298	323	335.5	360.5	385.5	398	423	448	460.5	485.5	510.5	523	548	560.5	585.5	610.5
1	285.5	310.5	323	348	373	385.5	410.5	423	448	473	485.5	510.5	535.5	548	573	598	610.5	635.5	660.5
2	335.5	348	373	398	410.5	435.5	460.5	473	498	523	535.5	560.5	573	598	623	635.5	660.5	685.5	698
3	385.5	398	423	435.5	460.5	485.5	498	523	548	560.5	585.5	610.5	623	648	660.5	685.5	710.5	723	748
4	423	448	473	485.5	510.5	523	548	573	585.5	610.5	635.5	648	673	698	710.5	735.5	760.5	773	798
5	473	498	510.5	535.5	560.5	573	598	623	635.5	660.5	673	698	723	735.5	760.5	785.5	798	823	848
6	523	535.5	560.5	585.5	598	623	648	660.5	685.5	710.5	723	748	760.5	785.5	810.5	823	848	873	885.5
7	573	585.5	610.5	623	648	673	685.5	710.5	735.5	748	773	798	810.5	835.5	860.5	873	898	910.5	935.5
8	610.5	635.5	660.5	673	698	723	735.5	760.5	773	798	823	835.5	860.5	885.5	898	923	948	960.5	985.5
9	660.5	685.5	698	723	748	760.5	785.5	810.5	823	848	860.5	885.5	910.5	923	948	973	985.5	—	—

- SJ
- SY
- SV**
- SYJ
- SZ
- VP4
- S0700
- VQ
- VQ4
- VQ5
- VQC
- VQZ
- SQ
- VFS
- VFR
- VQ7

Integrated Type (for Output) Serial Transmission System

Series *EX126*

IP67 compliant



Applicable series **Tie-rod base manifold**
SV1000/SV2000/SV3000

• Number of outputs points: 16 points

SJ

SY

SV

SYJ

SZ

VP4

S0700

VQ

VQ4

VQ5

VQC

VQZ

SQ

VFS

VFR

VQ7

EX126 Integrated Type (for Output) Serial Transmission System

Series SV



How to Order

● Tie-rod base

SS5V **1** - W 10S4 D - **05** **U** - -

● Series

1	SV1000
2	SV2000
3	SV3000

● Enclosure IP67 specifications

● SI unit

0	Without SI unit and end plate
VW	CC-Link

- When the SI unit is not included, only the terminal block plate is included.

● Mounting

Nil	Direct mounting	
D	DIN rail mounting (With DIN rail)	
D0*	DIN rail mounting (Without DIN rail)	
D3	For 3 stations	When a longer DIN rail is desired than the specified stations. (Specify a longer rail than the standard length.)
⋮	⋮	
D16	For 16 stations	



* In the case of D0, only DIN rail fittings are attached.

● Valve stations

Symbol	Stations	Note
02	2 stations	(1) Double wiring specifications
⋮	⋮	
08	8 stations	(2) Specified layout (up to 16 solenoids possible.)
02	2 stations	
⋮	⋮	
16	16 stations	



Note 1) Double wiring specifications: Single, double, 3 position and 4 position solenoid valves can be used on all manifold stations. Use of a single solenoid will result in an unused control signal. If this is not desired, order with a specified layout.

Note 2) Specified layout: Indicate wiring specifications on a manifold specification sheet. (Note that double, 3 and 4 position valves cannot be used where single solenoid wiring has been specified.)

● SUP/EXH block assembly specifications

Nil	Internal pilot
S*	Internal pilot/Built-in silencer
R	External pilot
RS*	External pilot/Built-in silencer



Note) When the built-in silencer type is used, keep the exhaust port from coming in direct contact with water or other liquids.

SI Unit Part No.

Symbol	Protocol type	SI unit part no.
VW	CC-Link	EX126D-SMJ1

Refer to pages 1653 to 1655 for the details of the EX126 integrated type (for output) serial transmission system.

● P, E port location

U	U side (2 to 10 stations)
D	D side (2 to 10 stations)
B	Both sides (2 to 16 stations)

● A, B port size (Metric)

Symbol	A, B port	P, E port	Applicable series
C3	One-touch fitting for ø3.2	One-touch fitting for ø8	SV1000
C4	One-touch fitting for ø4		
C6	One-touch fitting for ø6		
C4	One-touch fitting for ø4	One-touch fitting for ø10	SV2000
C6	One-touch fitting for ø6		
C8	One-touch fitting for ø8		
C6	One-touch fitting for ø6	One-touch fitting for ø12	SV3000
C8	One-touch fitting for ø8		
C10	One-touch fitting for ø10		
M	A, B ports mixed		

● A, B port size (Inch)

Symbol	A, B port	P, E port	Applicable series
N1	One-touch fitting for ø1/8"	One-touch fitting for ø5/16"	SV1000
N3	One-touch fitting for ø5/32"		
N7	One-touch fitting for ø1/4"		
N3	One-touch fitting for ø5/32"	One-touch fitting for ø3/8"	SV2000
N7	One-touch fitting for ø1/4"		
N9	One-touch fitting for ø5/16"		
N7	One-touch fitting for ø1/4"	One-touch fitting for ø3/8"	SV3000
N9	One-touch fitting for ø5/16"		
N11	One-touch fitting for ø3/8"		
M	A, B ports mixed		

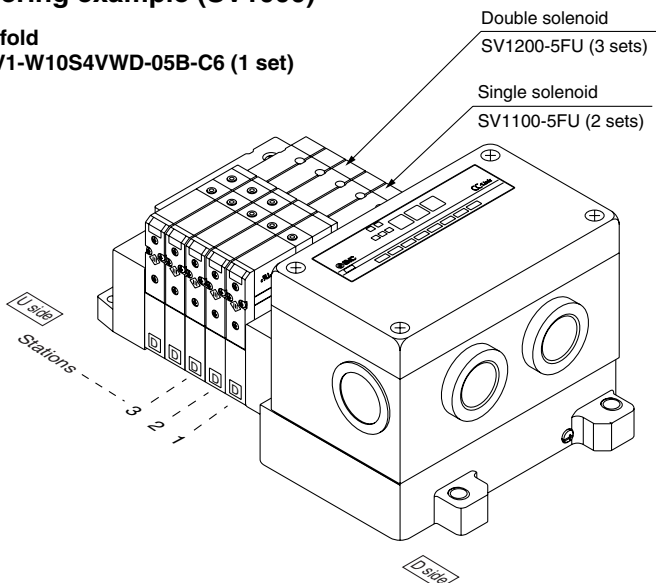
* In the case of mixed specifications (M), indicate separately on the manifold specification sheet.

* Port sizes of X, PE port for external pilot specification (R, RS) are ø4 (metric), ø5/32" (inch) for SV1000/2000 and ø6 (metric) and ø1/4" (inch) for SV3000.

How to Order Manifold Assembly

Ordering example (SV1000)

Manifold
SS5V1-W10S4VWD-05B-C6 (1 set)



SS5V1-W10S4VWD-05B-C6 1 set (manifold part no.)
* SV1100-5FU 2 sets (manifold part no.)
* SV1200-5FU 3 sets (manifold part no.)

How to Order Valve

SV 1 1 0 0 [] [] - 5 F [] [] - [] - []

Series

1	SV1000
2	SV2000
3	SV3000

Type of actuation

1	2 position single
2	2 position double
3	3 position closed center
4	3 position exhaust center
5	3 position pressure center
A	4 position dual 3 port valve: N.C./N.C.
B	4 position dual 3 port valve: N.O./N.O.
C	4 position dual 3 port valve: N.C./N.O.

* 4 position dual 3 port valves are applicable to Series SV1000 and SV2000 only.

Pilot type

Nil	Internal pilot
R	External pilot

* External pilot specifications is not available for 4 position dual 3 port valves.

Back pressure check valve

Nil	None
K	Built-in

* Built-in back pressure check valve type is applicable to series SV1000 only.
* Back pressure check valve is not available for 3 position valve.



Note) Available with manifold block for station additions. Refer to page 433.

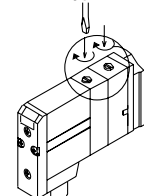
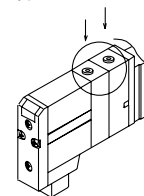
Made to Order

Nil	—
X90	Main valve fluoro rubber (Refer to page 448.)

Manual override

Nil: Non-locking push type

D: Push-turn locking slotted type



Light/Surge voltage suppressor

U	With light/surge voltage suppressor
R	With surge voltage suppressor

Rated voltage

5	24 VDC
---	--------

SJ

SY

SV

SVJ

SZ

VP4

S0700

VQ

VQ4

VQ5

VQC

VQZ

SQ

VFS

VFR

VQ7

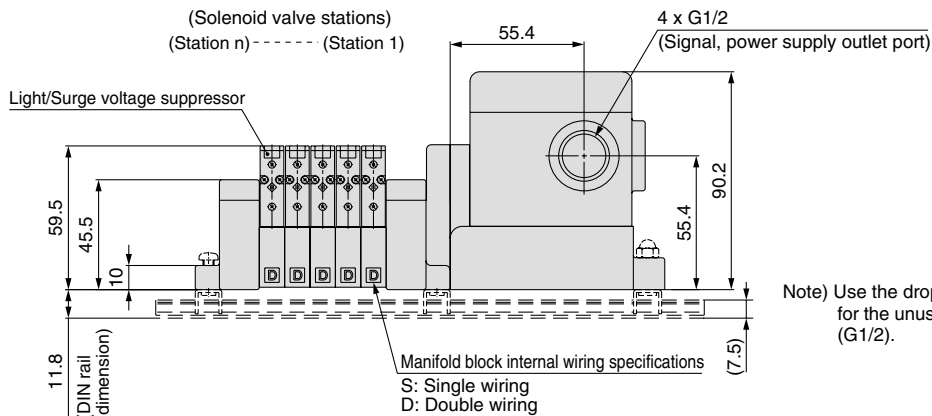
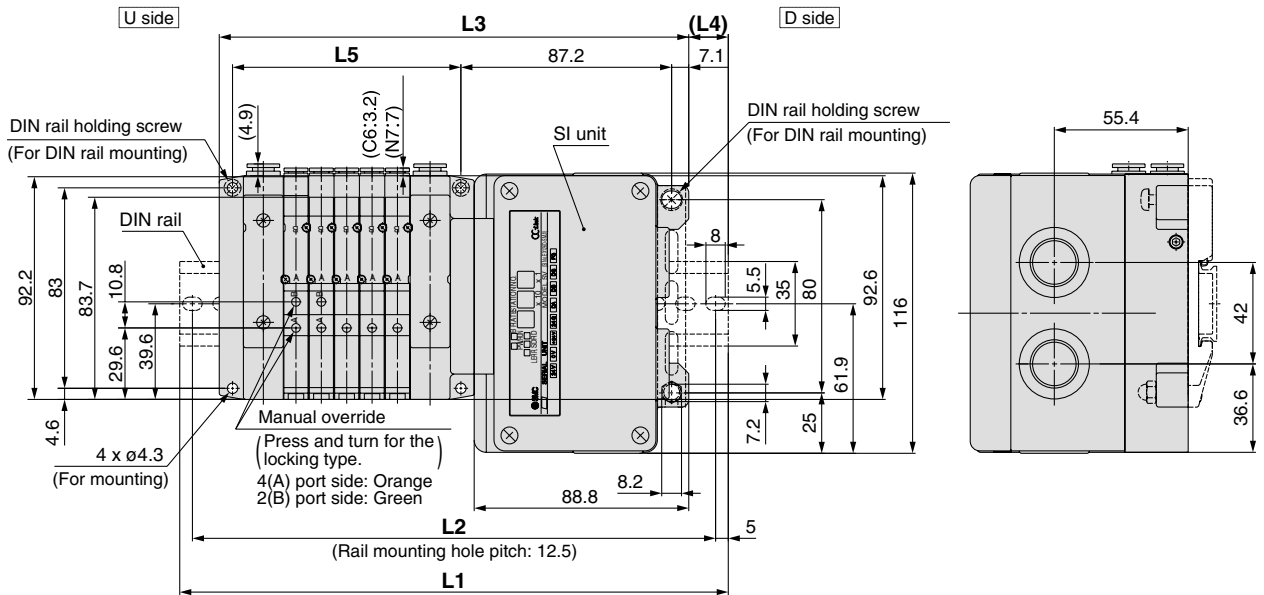
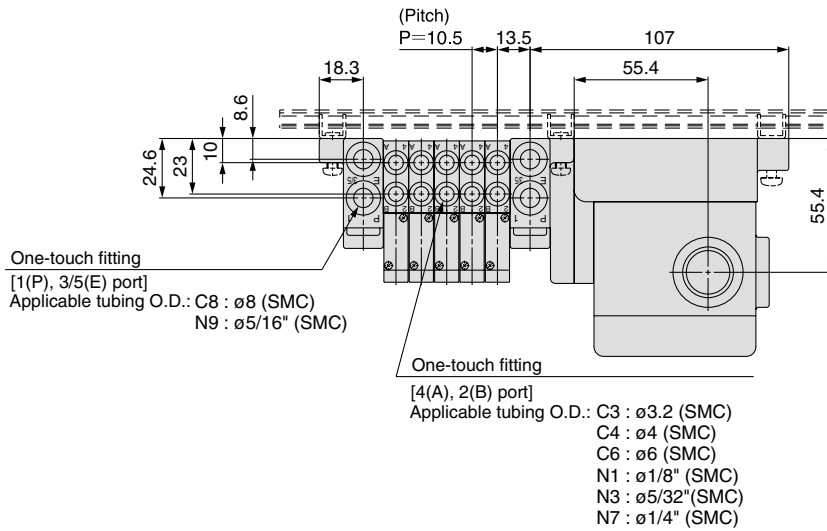


Refer to Specific Product Precautions 2 on page 450.

Series SV

Dimensions: Series SV1000 for EX126 Integrated Type (for Output) Serial Transmission System

● Tie-rod base manifold : SS5V1-W10S4 □ D- Stations $\frac{U}{D}$ (S, R, RS)- $\frac{C3, N1}{C4, N3}$ / $\frac{C6, N7}{C6, N7}$ (-D)



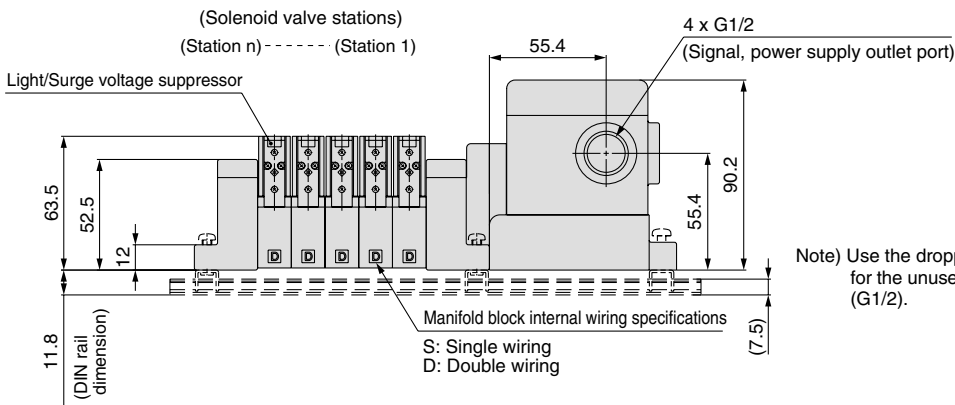
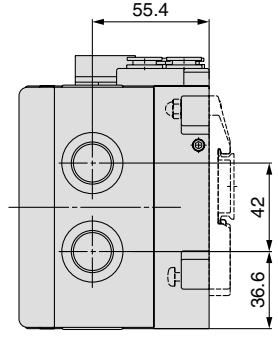
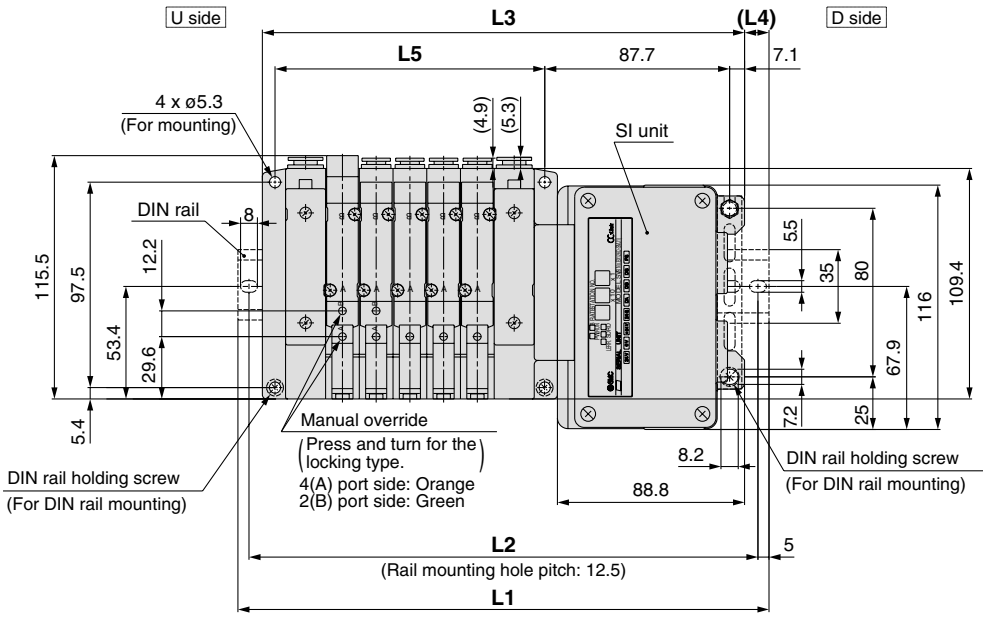
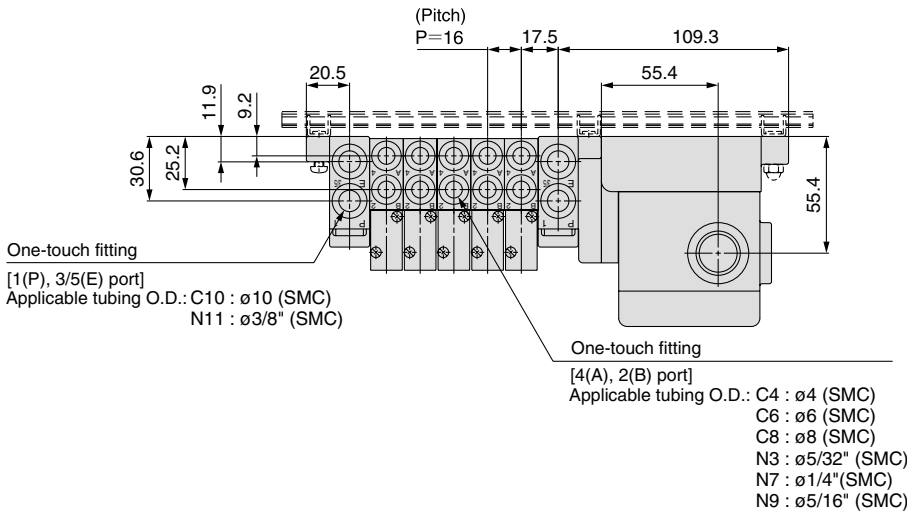
Note) Use the dropproof plug assembly (AXT100-B04A) for the unused signal and power supply outlet port (G1/2).

L Dimension

L \ n	n: Stations															
	2	3	4	5	6	7	8	9	10	11	12	13	14	15	16	
L1	198	198	210.5	223	235.5	248	260.5	260.5	273	285.5	298	310.5	323	323	335.5	
L2	187.5	187.5	200	212.5	225	237.5	250	250	262.5	275	287.5	300	312.5	312.5	325	
L3	162.8	173.3	183.8	194.3	204.8	215.3	225.8	236.3	246.8	257.3	267.8	278.3	288.8	299.3	309.8	
L4	17.5	12.5	13.5	14.5	15.5	16.5	17.5	12	13	14	15	16	17	12	13	
L5	63	73.5	84	94.5	105	115.5	126	136.5	147	157.5	168	178.5	189	199.5	210	

Dimensions: Series SV2000 for EX126 Integrated Type (for Output) Serial Transmission System

● Tie-rod base manifold : SS5V2-W10S4 □ D-Stations $\frac{U}{D}$ (S, R, RS) $\frac{C4, N3}{C6, N7}{C8, N9}$ (-D)



Note) Use the dropproof plug assembly (AXT100-B04A) for the unused signal and power supply outlet port (G1/2).

L Dimension

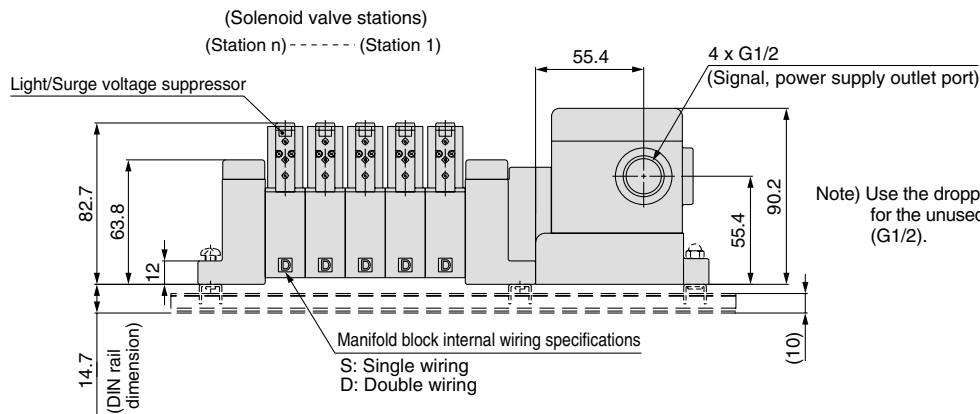
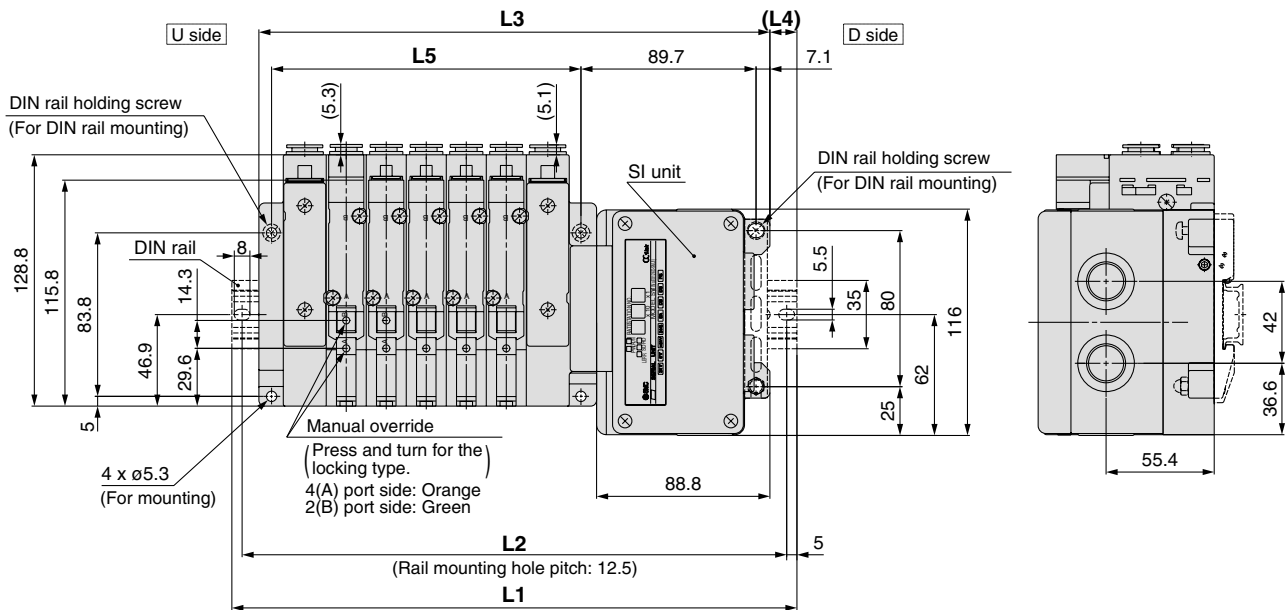
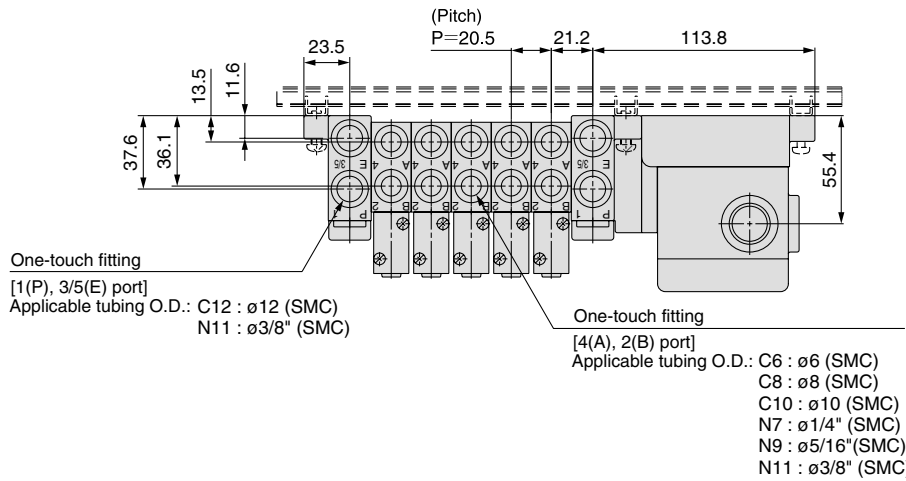
L	n : Stations															
	2	3	4	5	6	7	8	9	10	11	12	13	14	15	16	
L1	210.5	223	248	260.5	273	285.5	310.5	323	335.5	348	373	385.5	398	423	435.5	
L2	200	212.5	237.5	250	262.5	275	300	312.5	325	337.5	362.5	375	387.5	412.5	425	
L3	180.8	196.8	212.8	228.8	244.8	260.8	276.8	292.8	308.8	324.8	340.8	356.8	372.8	388.8	404.8	
L4	15	13	17.5	16	14	12.5	17	15	13.5	11.5	16	14.5	12.5	17	15.5	
L5	80	96	112	128	144	160	176	192	208	224	240	256	272	288	304	

- SJ
- SY
- SV**
- SYJ
- SZ
- VP4
- S0700
- VQ
- VQ4
- VQ5
- VQC
- VQZ
- SQ
- VFS
- VFR
- VQ7

Series SV

Dimensions: Series SV3000 for EX126 Integrated Type (for Output) Serial Transmission System

● Tie-rod base manifold : SS5V3-W10S4 □ D-Stations $\frac{U}{D}$ (S, R, RS)- $\frac{C6, N7}{C8, N9}$ (C10, N11) (-D)

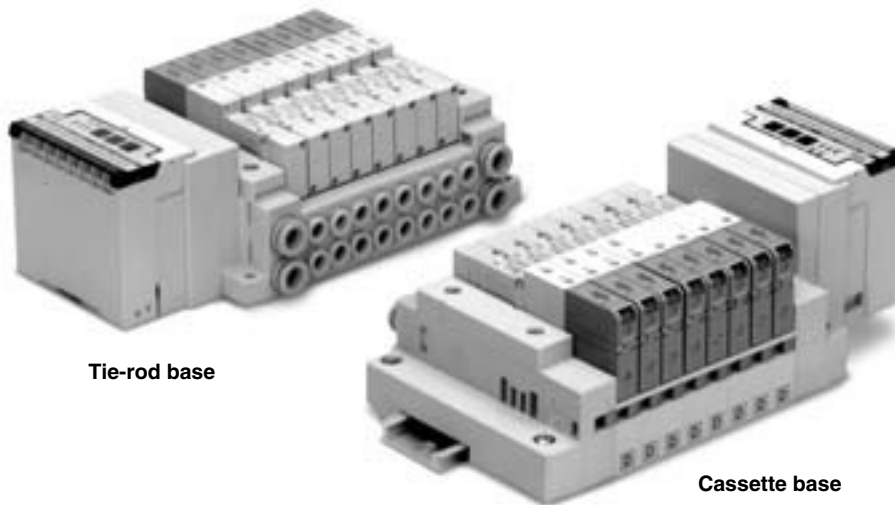


L Dimension

L	n : Stations															
	2	3	4	5	6	7	8	9	10	11	12	13	14	15	16	
L1	235.5	248	273	285.5	310.5	335.5	348	373	398	410.5	435.5	460.5	473	498	510.5	
L2	225	237.5	262.5	275	300	325	337.5	362.5	387.5	400	425	450	462.5	487.5	500	
L3	200.3	220.8	241.3	261.8	282.3	302.8	323.3	343.8	364.3	384.8	405.3	425.8	446.3	466.8	487.3	
L4	17.5	13.5	16	12	14	16.5	12.5	14.5	17	13	15	17.5	13.5	15.5	11.5	
L5	97	117.5	138	158.5	179	199.5	220	240.5	261	281.5	302	322.5	343	363.5	384	

Integrated Type (for Output) Serial Transmission System

Series *EX120*



Tie-rod base

Cassette base

Applicable series	Cassette base manifold SV1000/SV2000
	Tie-rod base manifold SV1000/SV2000/SV3000/SV4000
• Number of outputs points: 16 points	

SJ

SY

SV

SYJ

SZ

VP4

S0700

VQ

VQ4

VQ5

VQC

VQZ

SQ

VFS

VFR

VQ7

EX120 Integrated Type (for Output) Serial Transmission System

Series SV



How to Order Manifold

Series

1	SV1000
2	SV2000
3	SV3000
4	SV4000

Tie-rod base
SS5V 1 - 10S3 V D - 05 U [] - [] - []

Cassette base
SS5V 1 - 16S3 V D - 05 U [] - [] - []

Series

1	SV1000
2	SV2000

SI Unit

Symbol	Specifications
0	Without SI unit
F1	NKE Corp.: Uni-wire System
H	NKE Corp.: Uni-wire H System
J1	SUNX Corp.: S-LINK (16 output points)
J2	SUNX Corp.: S-LINK (8 output points)
Q	DeviceNet
R1	OMRON Corp.: CompoBus/S (16 output points)
R2	OMRON Corp.: CompoBus/S (8 output points)
V	CC-LINK
ZB	CompoNet™ (Positive common)
ZBN	CompoNet™ (Negative common)

Stations

Symbol	Stations	Note
02	2 stations	Double wiring specifications (1)
⋮	⋮	
08	8 stations	
02	2 stations	Specified layout (2) (up to 16 solenoids possible.)
⋮	⋮	
16	16 stations	

Note 1) Double wiring specifications: Single, double, 3 position and 4 position solenoid valves can be used on all manifold stations. Use of a single solenoid will result in an unused control signal. If this is not desired, order with a specified layout.

Note 2) Specified layout: Indicate wiring specifications on a manifold specification sheet. (Note that double, 3 and 4 position valves cannot be used where single solenoid wiring has been specified.)

Mounting

Nil	Direct mounting
D	DIN rail mounting (With DIN rail)
D0*	DIN rail mounting (Without DIN rail)
D3	For 3 stations
⋮	⋮
D16	For 16 stations

* In the case of D0, only DIN rail fittings are attached.

DIN rail length specified

Nil	Standard length
3	For 3 stations
⋮	⋮
16	For 16 stations

SUP/EXH block assembly specifications

Nil	Internal pilot
S	Internal pilot/Built-in silencer
R	External pilot
RS	External pilot/Built-in silencer

P, E port location

U	U side (2 to 10 stations)
D	D side (2 to 10 stations)
B	Both sides (2 to 16 stations)

SI Unit Part No.

Symbol	Protocol type	SI unit part no.	CE-compliant
F1	NKE Corp.: Uni-wire System	EX120-SUW1	—
H	NKE Corp.: Uni-wire H System	EX120-SUH1	—
J1	SUNX Corp.: S-LINK (16 output points)	EX120-SSL1	—
J2	SUNX Corp.: S-LINK (8 output points)	EX120-SSL2	—
Q	DeviceNet	EX120-SDN1	○
R1	OMRON Corp.: CompoBus/S (16 output points)	EX120-SCS1	○
R2	OMRON Corp.: CompoBus/S (8 output points)	EX120-SCS2	○
V	CC-LINK	EX120-SMJ1	○
ZB	CompoNet™ (Positive common)	EX120-SCM1	○
ZBN	CompoNet™ (Negative common)	EX120-SCM3	○

Refer to pages 1650 to 1652 for the details of EX120 integrated type (For output) serial transmission system.
* Refer to SMC Information (08-E543) for details on CompoNet™.

A, B port size (Metric)

Symbol	A, B port	P, E port	Applicable series
C3	One-touch fitting for ø3.2	One-touch fitting for ø8	SV1000
C4	One-touch fitting for ø4		
C6	One-touch fitting for ø6		
C4	One-touch fitting for ø4	One-touch fitting for ø10	SV2000
C6	One-touch fitting for ø6		
C8	One-touch fitting for ø8		
C6	One-touch fitting for ø6	One-touch fitting for ø12	SV3000
C8	One-touch fitting for ø8		
C10	One-touch fitting for ø10		
C8	One-touch fitting for ø8	One-touch fitting for ø12	SV4000
C10	One-touch fitting for ø10		
C12	One-touch fitting for ø12		
02	Rc 1/4	Rc 3/8	SV4000
03	Rc 3/8		
02F	G 1/4		
03F	G 3/8	G 3/8	SV4000
M	A, B ports mixed		

A, B port size (Inch)

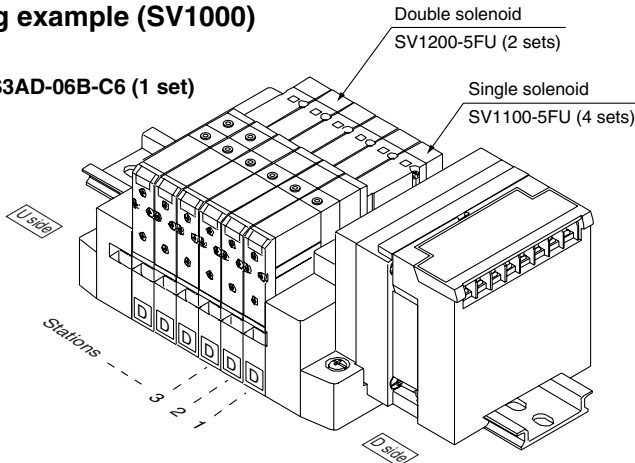
Symbol	A, B port	P, E port	Applicable series
N1	One-touch fitting for ø1/8"	One-touch fitting for ø5/16"	SV1000
N3	One-touch fitting for ø5/32"		
N7	One-touch fitting for ø1/4"		
N3	One-touch fitting for ø5/32"	One-touch fitting for ø3/8"	SV2000
N7	One-touch fitting for ø1/4"		
N9	One-touch fitting for ø5/16"		
N7	One-touch fitting for ø1/4"	One-touch fitting for ø3/8"	SV3000
N9	One-touch fitting for ø5/16"		
N11	One-touch fitting for ø3/8"		
N9	One-touch fitting for ø5/16"	One-touch fitting for ø3/8"	SV4000
N11	One-touch fitting for ø3/8"		
02N	NPT 1/4		
03N	NPT 3/8	NPT 3/8	SV4000
02T	NPTF 1/4		
03T	NPTF 3/8		
M	A, B ports mixed		

* In the case of mixed specifications (M), indicate separately on the manifold specification sheet.
* Port sizes of X, PE port for external pilot specification (R, RS) are ø4 (metric), ø5/32" (inch) for SV1000/2000 and ø6 (metric) and ø1/4" (inch) for SV3000/4000.

How to Order Manifold Assembly

Ordering example (SV1000)

Manifold
SS5V1-16S3AD-06B-C6 (1 set)



SS5V1-16S3CD-06B-C6 1 set (manifold part no.)
* SV1100-5FU 4 sets (Single solenoid part no.)
* SV1200-5FU 2 sets (Double solenoid part no.)

How to Order Solenoid Valves

SV 1 1 0 0 - 5 F - - -

Series

1	SV1000
2	SV2000
3	SV3000
4	SV4000

Type of actuation

1	2 position single
2	2 position double
3	3 position closed center
4	3 position exhaust center
5	3 position pressure center
A	4 position dual 3 port valve: N.C./N.C.
B	4 position dual 3 port valve: N.O./N.O.
C	4 position dual 3 port valve: N.C./N.O.

* 4 position dual 3 port valves are applicable to Series SV1000 and SV2000 only.

Pilot type

Nil	Internal pilot
R	External pilot

* External pilot specifications is not available for 4 position dual 3 port valves.

Rated voltage

5	24 VDC
---	--------

Back pressure check valve

Nil	None
K	Built-in

* Built-in back pressure check valve type is applicable to Series SV1000 only.
* Back pressure check valve is not available for 3 position Valve.



Note) Available with manifold block for station additions. Refer to pages 429 and 433.

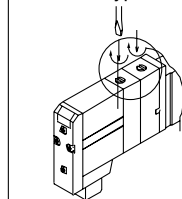
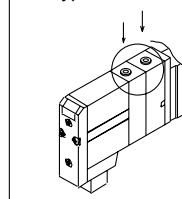
Made to Order

Nil	-
X90	Main valve fluoro rubber (Refer to page 448.)

Manual override

Nil: Non-locking push type

D: Push-turn locking slotted type



Light/Surge voltage suppressor

U	With light/surge voltage suppressor
R	With surge voltage suppressor



Refer to Specific Product Precautions 2 on page 450.

SJ

SY

SV

SVJ

SZ

VP4

S0700

VQ

VQ4

VQ5

VQC

VQZ

SQ

VFS

VFR

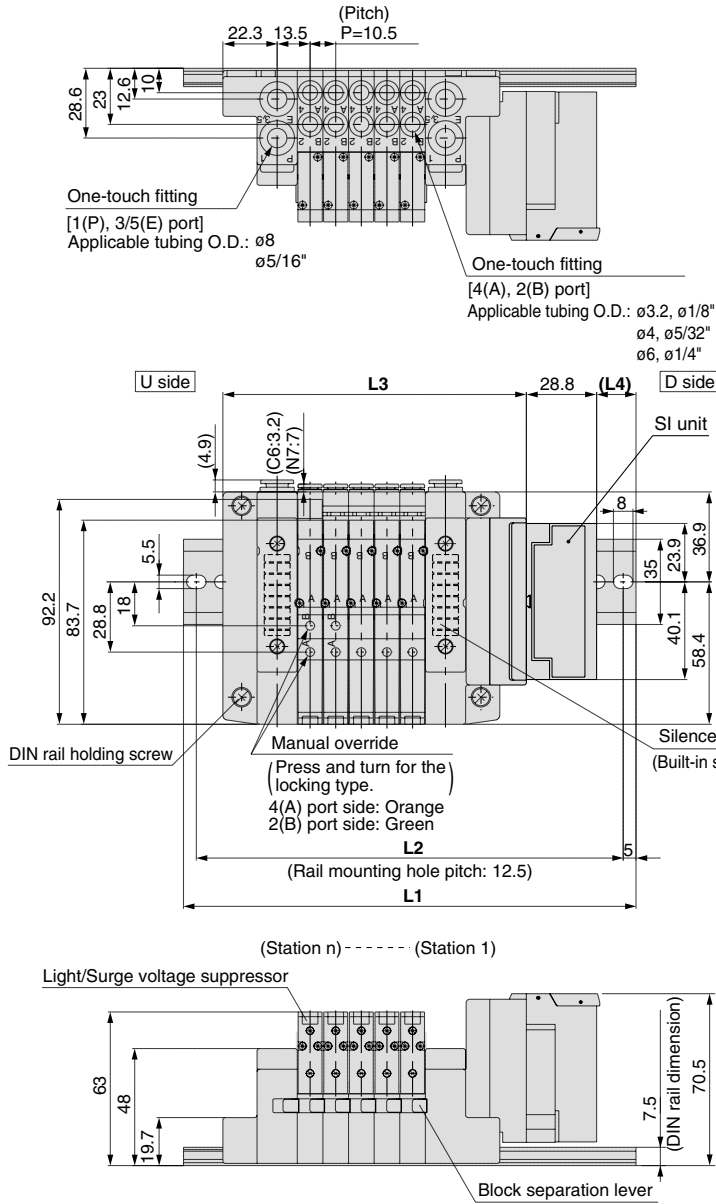
VQ7

Series SV

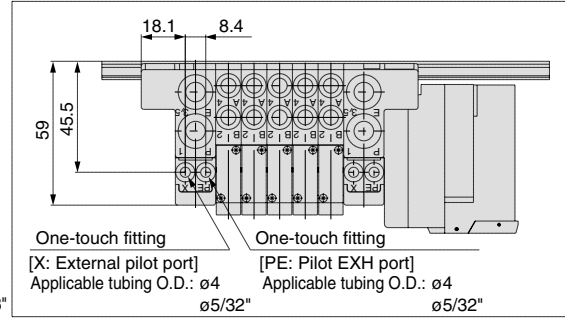
Dimensions: Series SV1000 for EX120 Integrated Type (for Output) Serial Transmission System

● Cassette base manifold : SS5V1-16S3 □ D- Stations $\begin{matrix} U \\ D \end{matrix}$ (S, R, RS) $\begin{matrix} C3, N1 \\ C4, N3 \\ C6, N7 \end{matrix}$

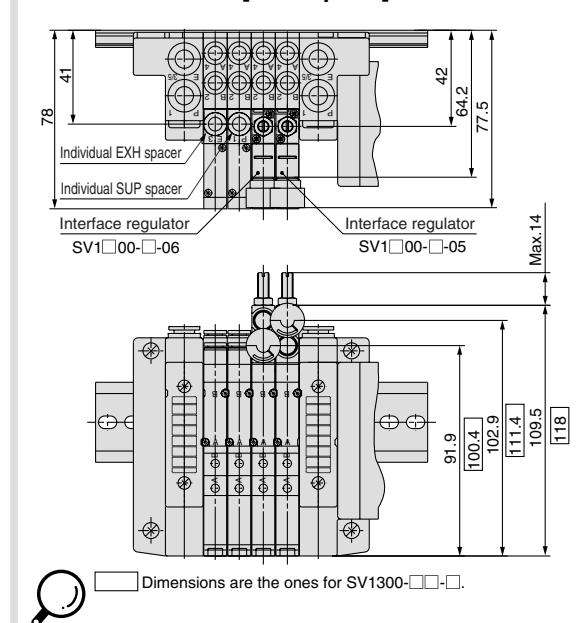
- When P, E port outlets are indicated on the U side or D side, the P, E ports on the opposite side are plugged.
- External pilot port positions and silencer discharge port positions are the same as P, E port outlet positions.



[With External Pilot Specifications]



[With option]



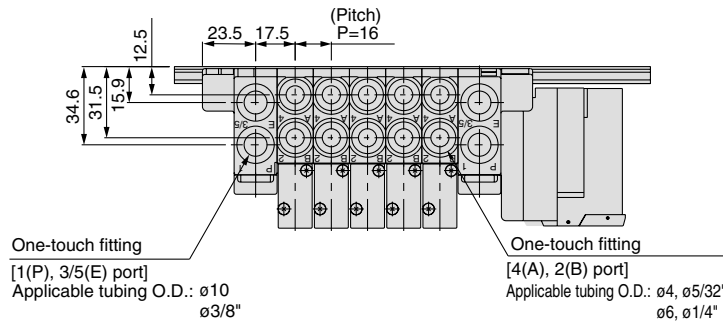
L Dimension

$\begin{matrix} L \\ n \end{matrix}$	2	3	4	5	6	7	8	9	10	11	12	13	14	15	16
L1	148	160.5	173	185.5	198	198	210.5	223	235.5	248	260.5	260.5	273	285.5	298
L2	137.5	150	162.5	175	187.5	187.5	200	212.5	225	237.5	250	250	262.5	275	287.5
L3	92.9	103.4	113.9	124.4	134.9	145.4	155.9	166.4	176.9	187.4	197.9	208.4	218.9	229.4	239.9
L4	13	14	15	16	17	12	13	14	15	16	17	11.5	12.5	13.5	14.5

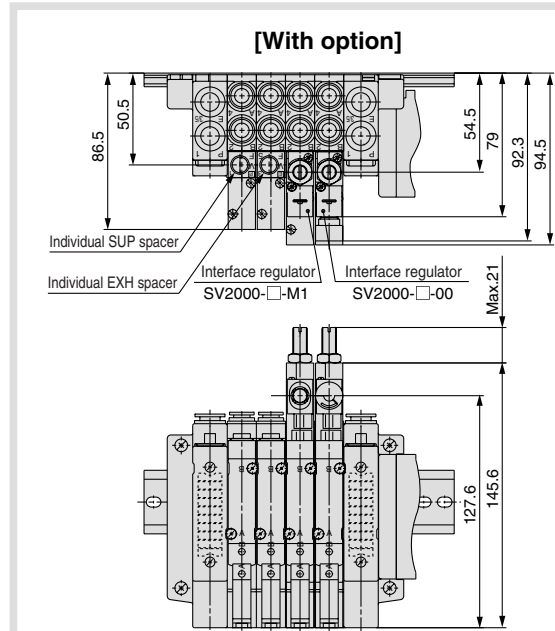
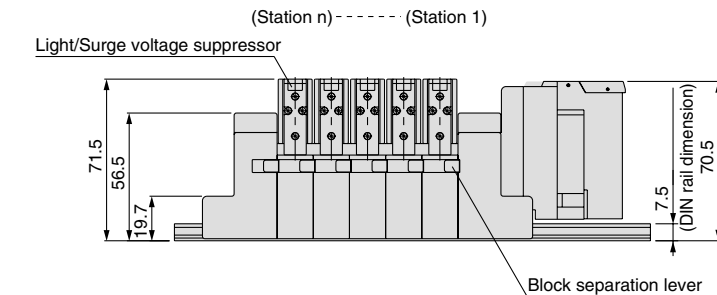
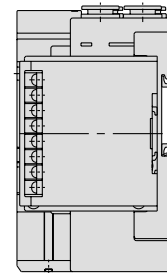
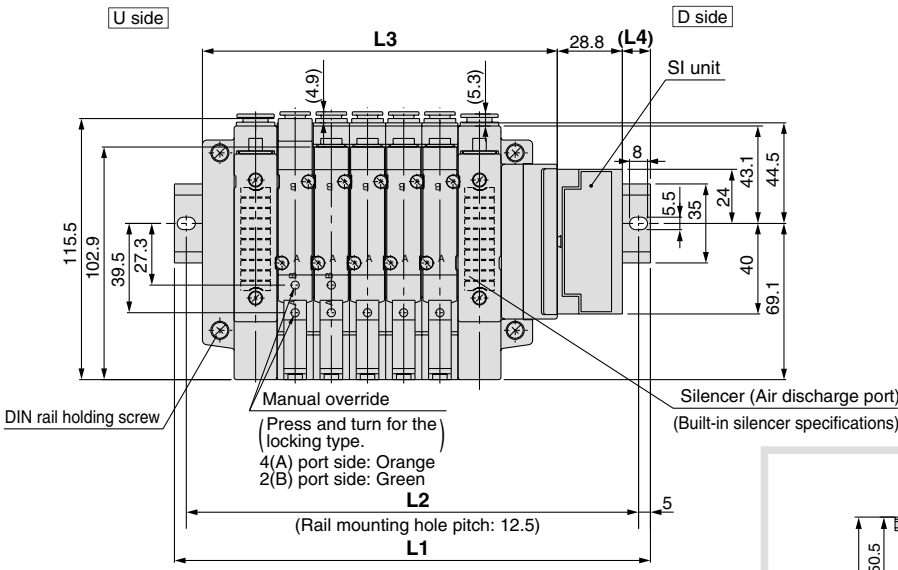
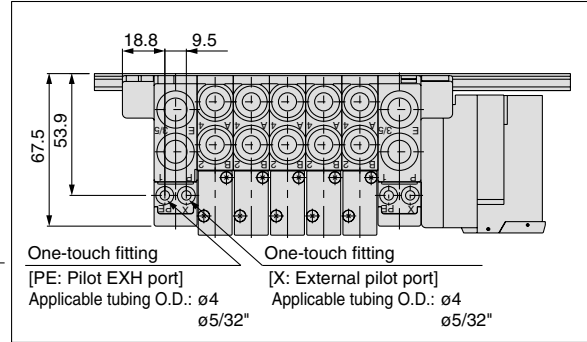
Dimensions: Series SV2000 for EX120 Integrated Type (for Output) Serial Transmission System

● **Cassette base manifold : SS5V2-16S3 □ D- Stations** $\begin{matrix} U \\ D \end{matrix}$ (S, R, RS) $\begin{matrix} C4, N3 \\ C6, N7 \\ C8, N9 \end{matrix}$

- When P, E port outlets are indicated on the U side or D side, the P, E ports on the opposite side are plugged.
- External pilot port positions and silencer discharge port positions are the same as P, E port outlet positions.



[With External Pilot Specifications]



L Dimension

L	n	2	3	4	5	6	7	8	9	10	11	12	13	14	15	16
L1		173	185.5	198	210.5	235.5	248	260.5	273	298	310.5	323	348	360.5	373	385.5
L2		162.5	175	187.5	200	225	237.5	250	262.5	287.5	300	312.5	337.5	350	362.5	375
L3		108.9	124.9	140.9	156.9	172.9	188.9	204.9	220.9	236.9	252.9	268.9	284.9	300.9	316.9	332.9
L4		17.5	16	14	12.5	17	15	13.5	11.5	16	14.5	12.5	17	15.5	13.5	12

n : Stations

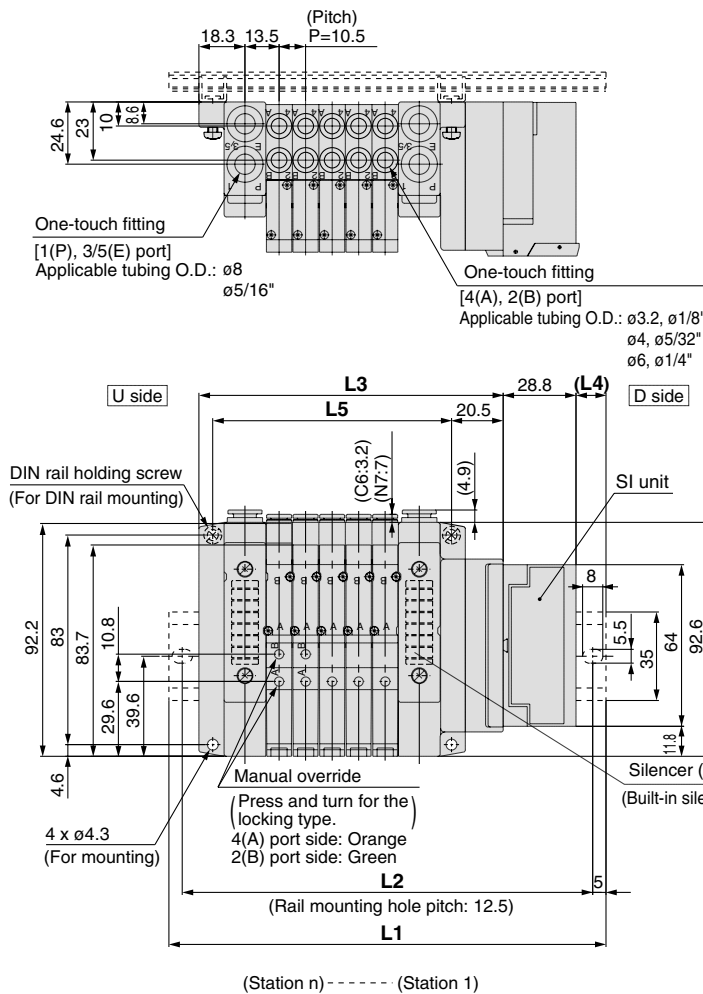
- SJ
- SY
- SV**
- SYJ
- SZ
- VP4
- S0700
- VQ
- VQ4
- VQ5
- VQC
- VQZ
- SQ
- VFS
- VFR
- VQ7

Series SV

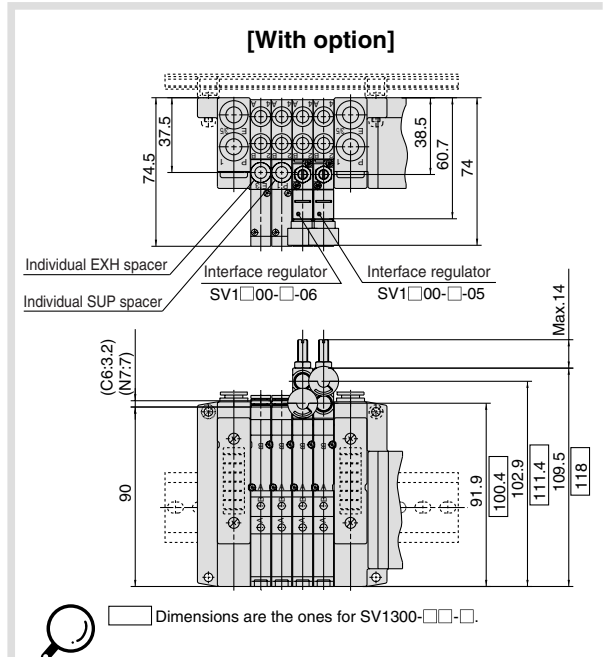
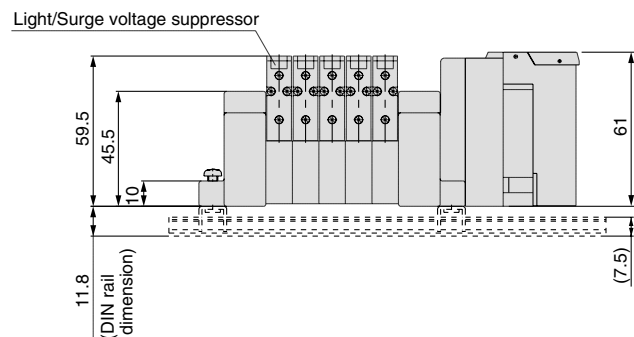
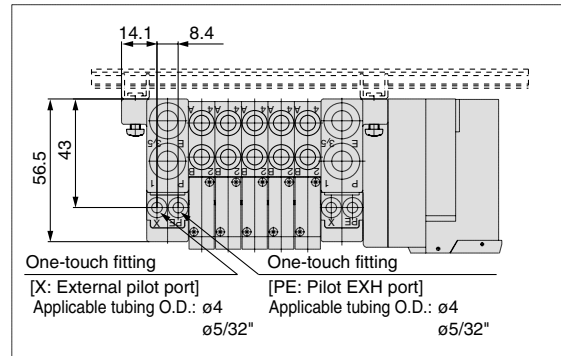
Dimensions: Series SV1000 for EX120 Integrated Type (for Output) Serial Transmission System

● Tie-rod base manifold : SS5V1-10S3□D- Stations $\frac{U}{D}$ (S, R, RS) $\frac{C3, N1}{C4, N3}$ (-D) $\frac{C6, N7}{C6, N7}$

- When P, E port outlets are indicated on the U side or D side, the P, E ports on the opposite side are plugged.
- External pilot port positions and silencer discharge port positions are the same as P, E port outlet positions.



[With External Pilot Specifications]



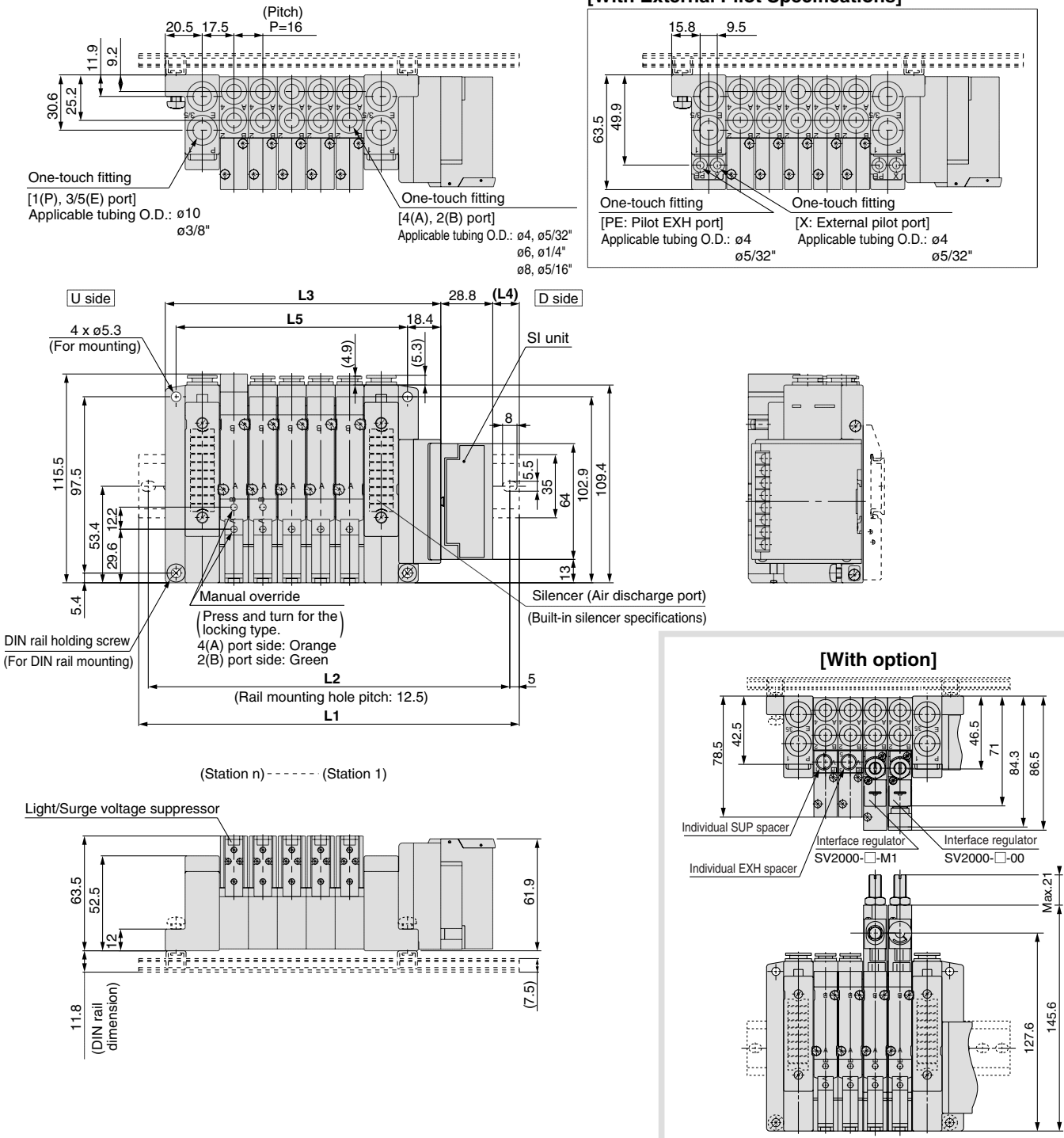
L Dimension

$\frac{L}{n}$	2	3	4	5	6	7	8	9	10	11	12	13	14	15	16
L1	148	160.5	173	173	185.5	198	210.5	223	235.5	235.5	248	260.5	273	285.5	298
L2	137.5	150	162.5	162.5	175	187.5	200	212.5	225	225	237.5	250	262.5	275	287.5
L3	89	99.5	110	120.5	131	141.5	152	162.5	173	183.5	194	204.5	215	225.5	236
L4	15	16	17	12	13	14	15	16	17	11.5	12.5	13.5	14.5	15.5	16.5
L5	63	73.5	84	94.5	105	115.5	126	136.5	147	157.5	168	178.5	189	199.5	210

Dimensions: Series SV2000 for EX120 Integrated Type (for Output) Serial Transmission System

● Tie-rod base manifold : SS5V2-10S3□D-Stations_U^U(S, R, RS)-_D^{C4, N3 C6, N7 C8, N9}(-D)

- When P, E port outlets are indicated on the U side or D side, the P, E ports on the opposite side are plugged.
- External pilot port positions and silencer discharge port positions are the same as P, E port outlet positions.



- SJ
- SY
- SV
- SYJ
- SZ
- VP4
- S0700
- VQ
- VQ4
- VQ5
- VQC
- VQZ
- SQ
- VFS
- VFR
- VQ7

L Dimension

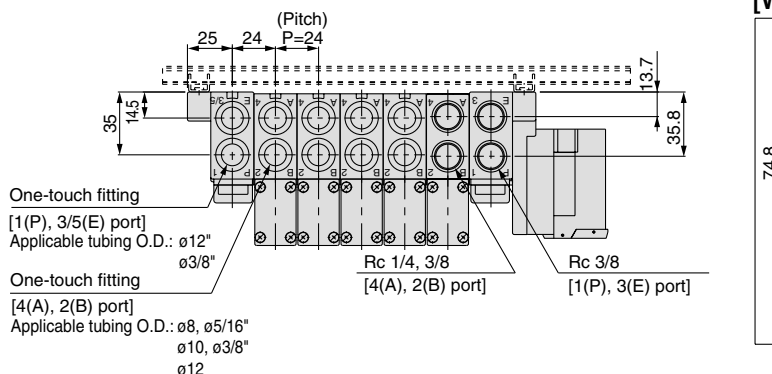
L	n : Stations															
n	2	3	4	5	6	7	8	9	10	11	12	13	14	15	16	
L1	160.5	173	198	210.5	223	248	260.5	273	285.5	310.5	323	335.5	360.5	373	385.5	
L2	150	162.5	187.5	200	212.5	237.5	250	262.5	275	300	312.5	325	350	362.5	375	
L3	104.4	120.4	136.4	152.4	168.4	184.4	200.4	216.4	232.4	248.4	264.4	280.4	296.4	312.4	328.4	
L4	13.5	12	16.5	14.5	13	17.5	15.5	14	12	16.5	15	13	17.5	16	14	
L5	80	96	112	128	144	160	176	192	208	224	240	256	272	288	304	

EX120 Integrated Type (for Output) Serial Transmission System *Series SV*

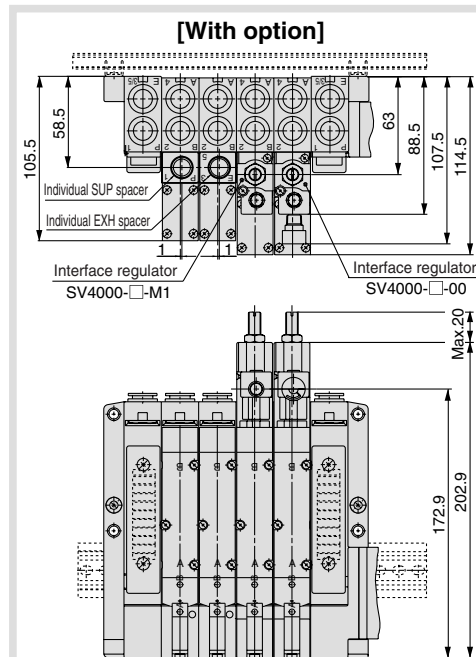
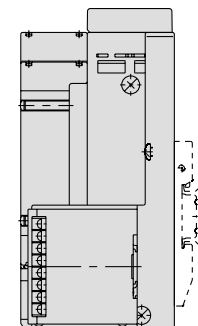
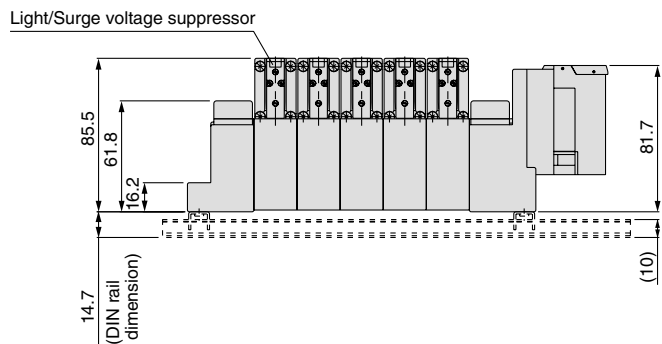
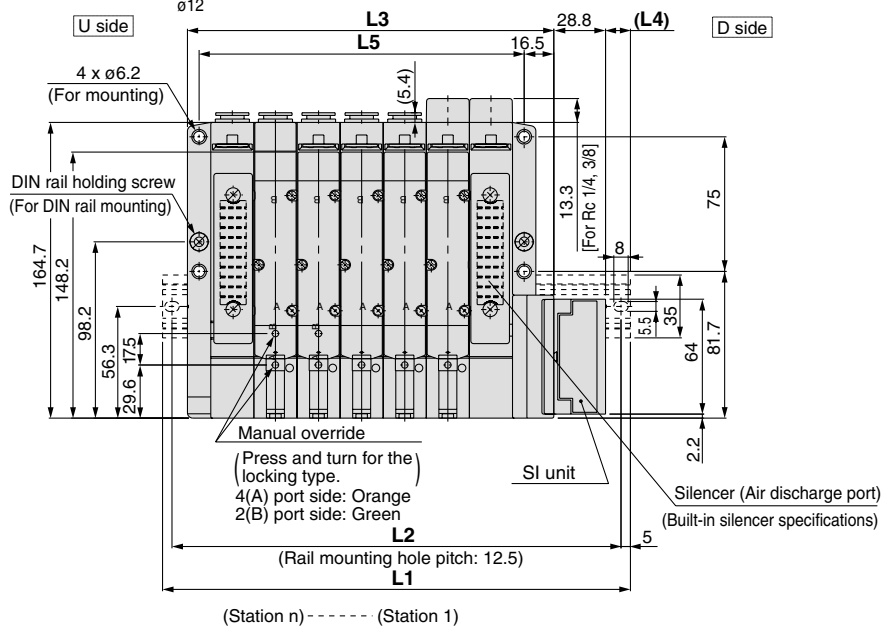
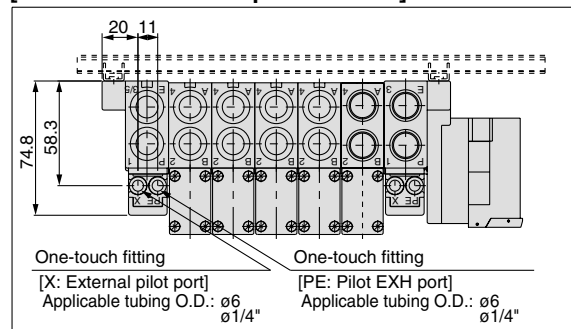
Dimensions: Series SV4000 for EX120 Integrated Type (for Output) Serial Transmission System

● Tie-rod base manifold : SS5V4-10S3 □ D- Stations $\frac{U}{D}$ (S, R, RS)- $\frac{02}{03}$ C $\frac{8}{10}$, N $\frac{9}{11}$ (-D)

- When P, E port outlets are indicated on the U side or D side, the P, E ports on the opposite side are plugged.
- External pilot port positions and silencer discharge port positions are the same as P, E port outlet positions.



[With External Pilot Specifications]



L Dimension

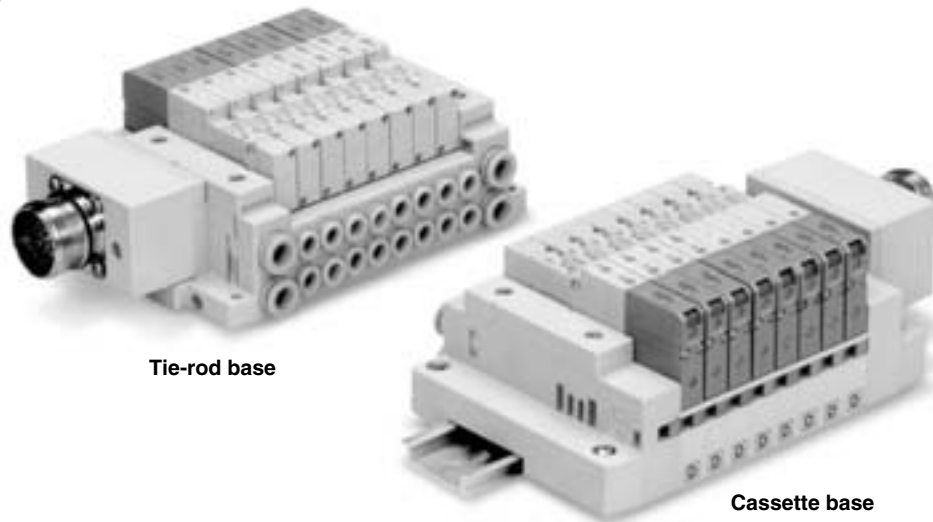
L	n	2	3	4	5	6	7	8	9	10	11	12	13	14	15	16
L1	n	185.5	210.5	235.5	260.5	285.5	310.5	335.5	360.5	385.5	410.5	435.5	448	473	498	523
L2	n	175	200	225	250	275	300	325	350	375	400	425	437.5	462.5	487.5	512.5
L3	n	132	156	180	204	228	252	276	300	324	348	372	396	420	444	468
L4	n	12.5	13	13.5	14	14.5	15	15.5	16	16.5	17	17.5	11.5	12	12.5	13
L5	n	109	133	157	181	205	229	253	277	301	325	349	373	397	421	445

n : Stations

- SJ
- SY
- SV**
- SYJ
- SZ
- VP4
- S0700
- VQ
- VQ4
- VQ5
- VQC
- VQZ
- SQ
- VFS
- VFR
- VQ7

Circular Connector

IP67 compliant



Tie-rod base

Cassette base

Applicable series

**Cassette base manifold
SV1000/SV2000**

**Tie-rod base manifold
SV1000/SV2000/SV3000/SV4000**

• Number of connectors: 26 pins

SJ

SY

SV

SYJ

SZ

VP4

S0700

VQ

VQ4

VQ5

VQC

VQZ

SQ

VFS

VFR

VQ7

Circular Connector Series SV



How to Order Manifold

Series

1	SV1000
2	SV2000
3	SV3000
4	SV4000

Tie-rod base

Cassette base

Series

1	SV1000
2	SV2000

Valve stations

Symbol	Stations	Note
02	2 stations	Double wiring specifications (1)
⋮	⋮	
12	12 stations	Specified layout (2)
⋮	⋮	
20	20 stations	(Up to 24 solenoids possible.)

Mounting

Nil	Direct mounting	
D	DIN rail mounting (With DIN rail)	
D0	DIN rail mounting (Without DIN rail)	
D3	For 3 stations	When a longer DIN rail is desired than the specified stations. (Specify a longer rail than the standard length.)
⋮	⋮	
D20	For 20 stations	

DIN rail length specified

Nil	Standard length	
3	For 3 stations	(Specify a longer rail than the standard length.)
⋮	⋮	
20 (Note)	For 20 stations	

A, B port size (Metric)

Symbol	Specifications	P, E port	Applicable series
C3	One-touch fitting for ø3.2	One-touch fitting for ø8	SV1000
C4	One-touch fitting for ø4		
C6	One-touch fitting for ø6	One-touch fitting for ø10	SV2000
C4	One-touch fitting for ø4		
C6	One-touch fitting for ø6	One-touch fitting for ø12	SV3000
C8	One-touch fitting for ø8		
C6	One-touch fitting for ø6	One-touch fitting for ø12	SV4000
C8	One-touch fitting for ø8		
C10	One-touch fitting for ø10	One-touch fitting for ø12	SV4000
C8	One-touch fitting for ø8		
C10	One-touch fitting for ø10	One-touch fitting for ø12	SV4000
C12	One-touch fitting for ø12		
02	Rc 1/4	Rc 3/8	SV4000
03	Rc 3/8		
02F	G 1/4	G 3/8	SV4000
03F	G 3/8		
M	A, B ports mixed		

A, B port size (Inch)

Symbol	Specifications	P, E port	Applicable series
N1	One-touch fitting for ø1/8"	One-touch fitting for ø5/16"	SV1000
N3	One-touch fitting for ø5/32"		
N7	One-touch fitting for ø1/4"	One-touch fitting for ø3/8"	SV2000
N3	One-touch fitting for ø5/32"		
N7	One-touch fitting for ø1/4"	One-touch fitting for ø3/8"	SV3000
N9	One-touch fitting for ø5/16"		
N7	One-touch fitting for ø1/4"	One-touch fitting for ø3/8"	SV4000
N9	One-touch fitting for ø5/16"		
N11	One-touch fitting for ø3/8"	One-touch fitting for ø3/8"	SV4000
N9	One-touch fitting for ø5/16"		
N11	One-touch fitting for ø3/8"	One-touch fitting for ø3/8"	SV4000
02N	NPT 1/4		
03N	NPT 3/8	NPTF 3/8	SV4000
02T	NPTF 1/4		
03T	NPTF 3/8	A, B ports mixed	
M	A, B ports mixed		

Enclosure IP67 specifications

Valve stations

Type 16: Series SV1000

Symbol	Stations	Note
02	2 stations	Double wiring specifications (1)
⋮	⋮	
09	9 stations	Specified layout (2)
⋮	⋮	
18	18 stations	(up to 18 solenoids possible.)

Type 16: Series SV2000

Symbol	Stations	Note
02	2 stations	Double wiring specifications (1)
⋮	⋮	
12	12 stations	Specified layout (2)
⋮	⋮	
20	20 stations	(up to 24 solenoids possible.)

P, E port location

U	U side (2 to 10 stations)
D	D side (2 to 10 stations)
B	Both sides (2 to 20 stations)

SUP/EXH block assembly specifications

Nil	Internal pilot
S*	Internal pilot/Built-in silencer
R	External pilot
RS*	External pilot/Built-in silencer

Note 1) Double wiring specifications: Single, double, 3 position and 4 position solenoid valves can be used at all of the manifold stations. Use of a single solenoid will result in an unused control signal. If this is not desired, order with a specified layout.

Note 2) Specified layout: Indicate wiring specifications on the manifold specification sheet. (Note that double, 3 and 4 position valves cannot be used where single solenoid wiring has been specified.)

Note) Able to specify the length for 3 stations up to 18 stations for SV1000, which is available with 18 station at the maximum.

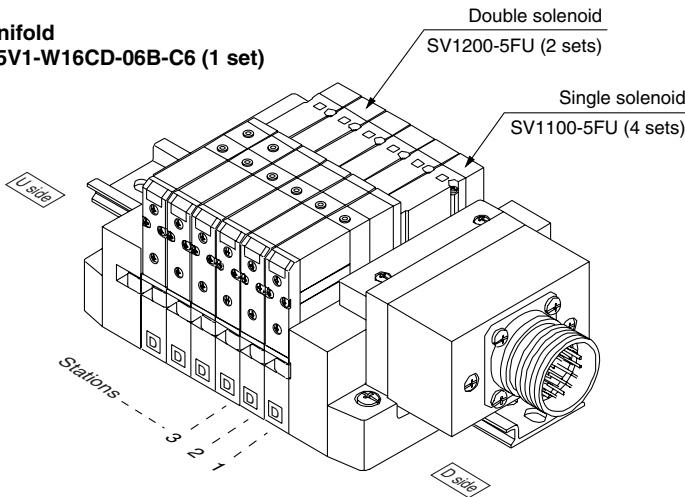
* In the case of mixed specifications (M), indicate separately on the manifold specification sheet.

* Port sizes of X, PE port for external pilot specification (R, RS) are ø4(metric), ø5/32"(inch) for SV1000/2000 and ø6 (metric) and ø1/4"(inch) for SV3000/4000.

How to Order Manifold Assembly

Ordering example (SV1000)

Manifold
SS5V1-W16CD-06B-C6 (1 set)



SS5V1-W16CD-06B-C6.....1 set (manifold part no.)
* SV1100-5FU.....4 sets (Single solenoid part no.)
* SV1200-5FU.....2 sets (Double solenoid part no.)

How to Order Solenoid Valves

SV 1 1 00 - 5 F

Series

1	SV1000
2	SV2000
3	SV3000
4	SV4000

Type of actuation

1	2 position single
2	2 position double
3	3 position closed center
4	3 position exhaust center
5	3 position pressure center
A	4 position dual 3 port valve: N.C./N.C.
B	4 position dual 3 port valve: N.O./N.O.
C	4 position dual 3 port valve: N.C./N.O.

* 4 position dual 3 port valves are applicable to Series SV1000 and SV2000 only.

Pilot type

Nil	Internal pilot
R	External pilot

* External pilot specifications is not available for 4 position dual 3 port valves.

Back pressure check valve

Nil	None
K	Built-in

* Built-in back pressure check valve type is applicable to series SV1000 only.
* Back pressure check valve is not available for 3 position valve.

Rated voltage

5	DC24V
6	DC12V

Note)



Note) Available with manifold block for station additions. Refer to pages 429 and 433.

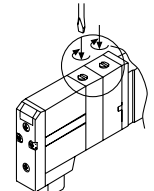
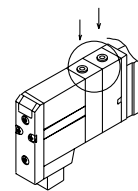
Made to Order

Nil	—
X90	Main valve fluoro rubber (Refer to page 448.)

Manual override

Nil: Non-locking push type

D: Push-turn locking slotted type



Light/Surge voltage suppressor

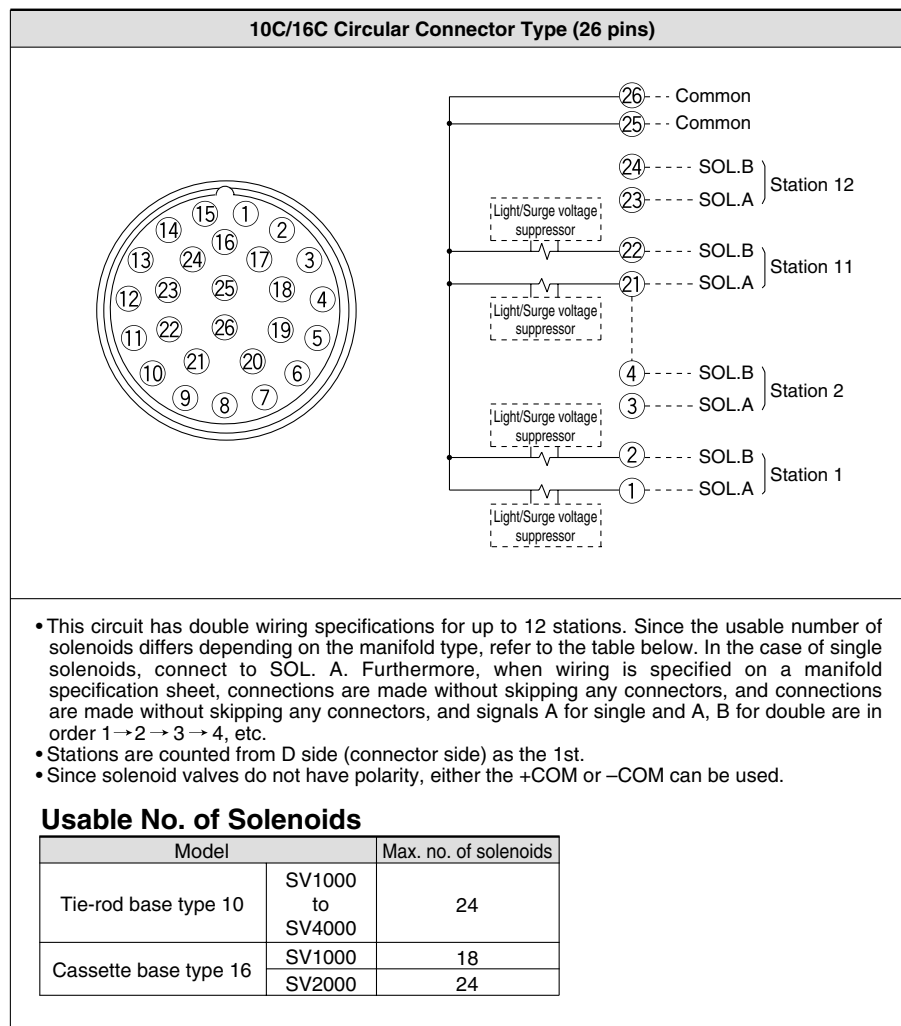
U	With light/surge voltage suppressor
R	With surge voltage suppressor



Refer to Specific Product Precautions 2 on page 450.

- SJ
- SY
- SV**
- SVJ
- SZ
- VP4
- S0700
- VQ
- VQ4
- VQ5
- VQC
- VQZ
- SQ
- VFS
- VFR
- VQ7

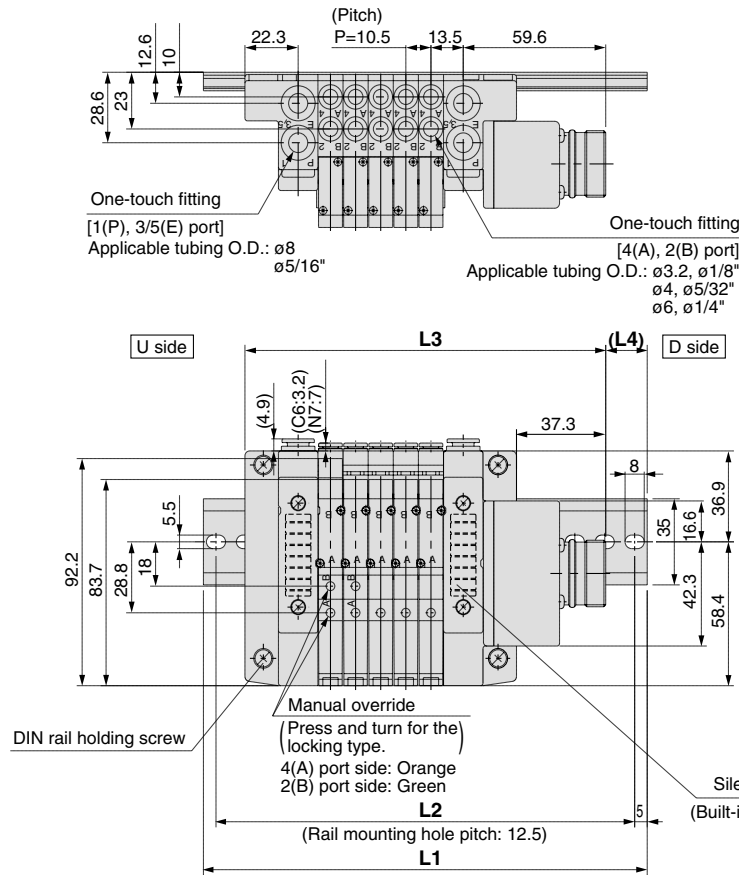
Manifold Electrical Wiring



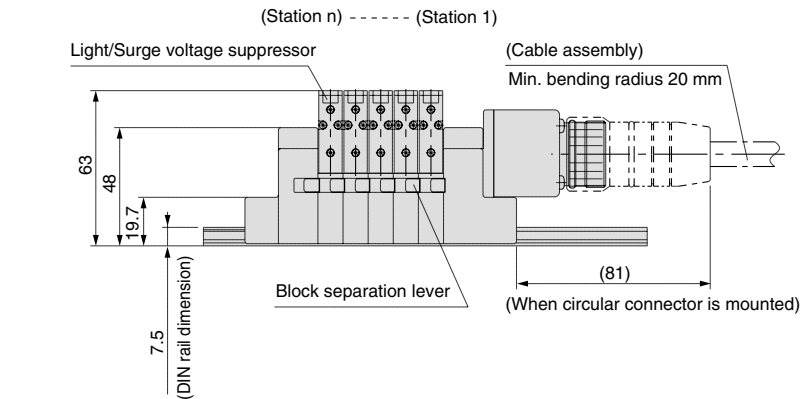
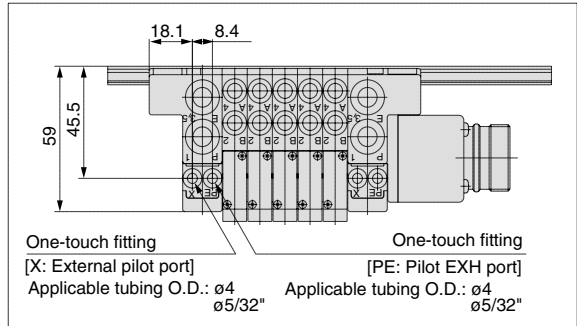
Dimensions: Series SV1000 for Circular Connector

● Cassette base manifold: SS5V1-W16CD-Stations ^U _D (S, R, RS)-^{C3, N1} _{C4, N3} ^{C6, N7}

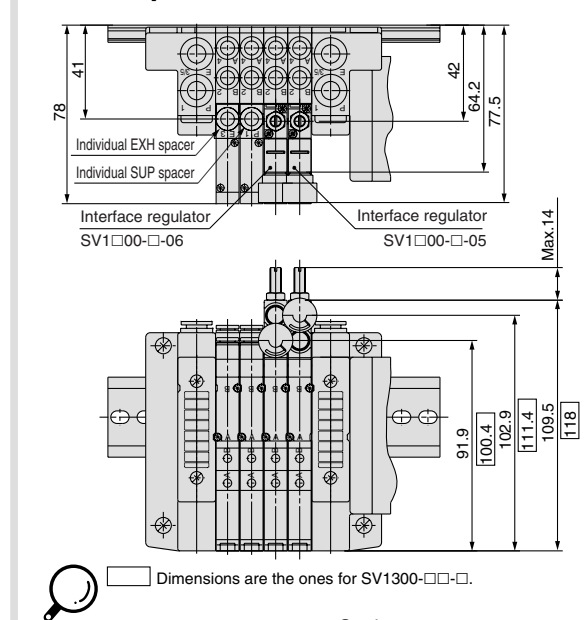
- When P, E port outlets are indicated on the U side or D side, the P, E ports on the opposite side are plugged.
- External pilot port positions and silencer discharge port positions are the same as P, E port outlet positions.



With External Pilot Specifications



With option



L Dimension

L ⁿ	2	3	4	5	6	7	8	9	10	11	12	13	14	15	16	17	18
L1	148	160.5	173	185.5	185.5	198	210.5	223	235.5	248	248	260.5	273	285.5	298	310.5	310.5
L2	137.5	150	162.5	175	175	187.5	200	212.5	225	237.5	237.5	250	262.5	275	287.5	300	300
L3	119.3	129.8	140.3	150.8	161.3	171.8	182.3	192.8	203.3	213.8	224.3	234.8	245.3	255.8	266.3	276.8	287.3
L4	14.5	15.5	16.5	17.5	12	13	14	15	16	17	12	13	14	15	16	17	11.5

n: Stations

- SJ
- SY
- SV**
- SYJ
- SZ
- VP4
- S0700
- VQ
- VQ4
- VQ5
- VQC
- VQZ
- SQ
- VFS
- VFR
- VQ7

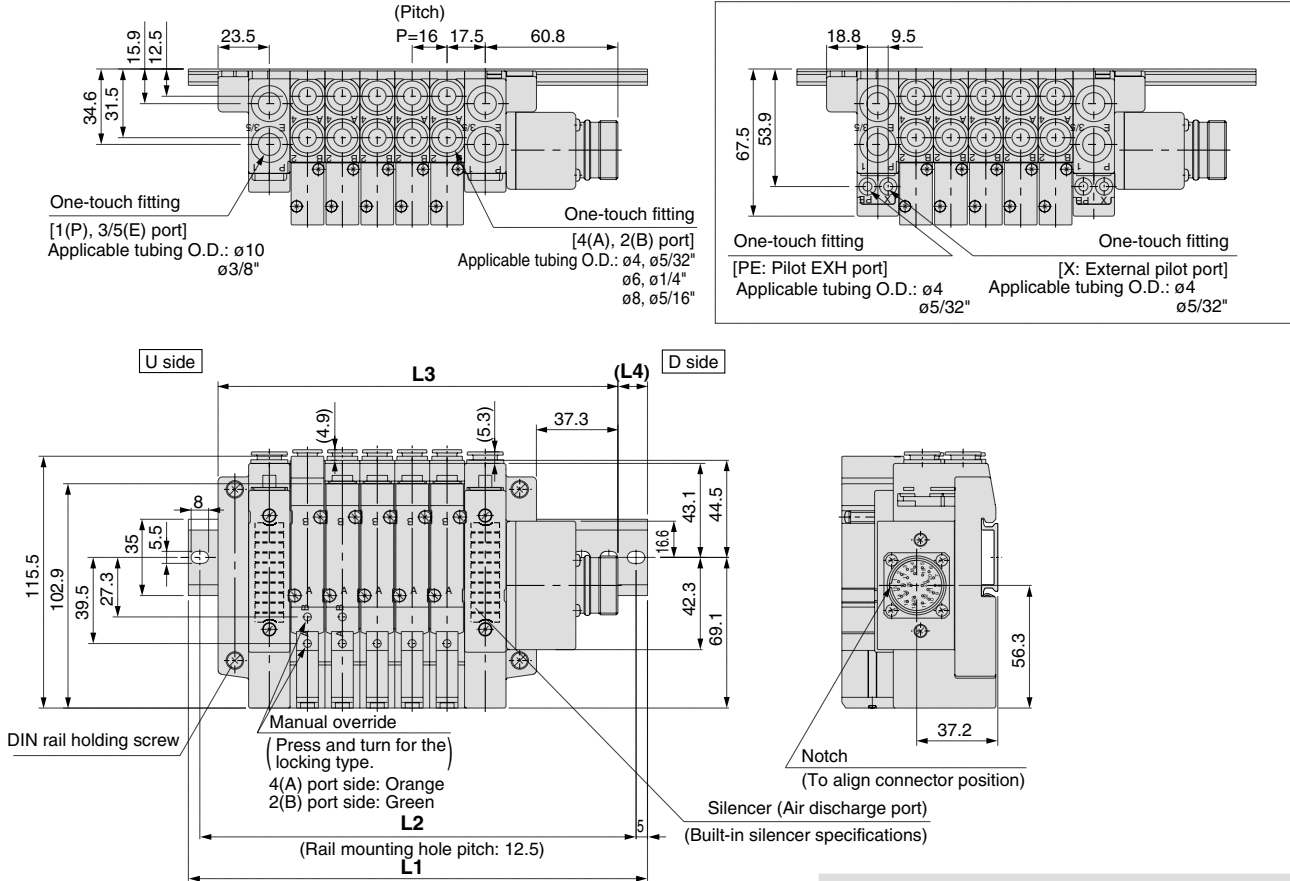
Series SV

Dimensions: Series SV2000 for Circular Connector

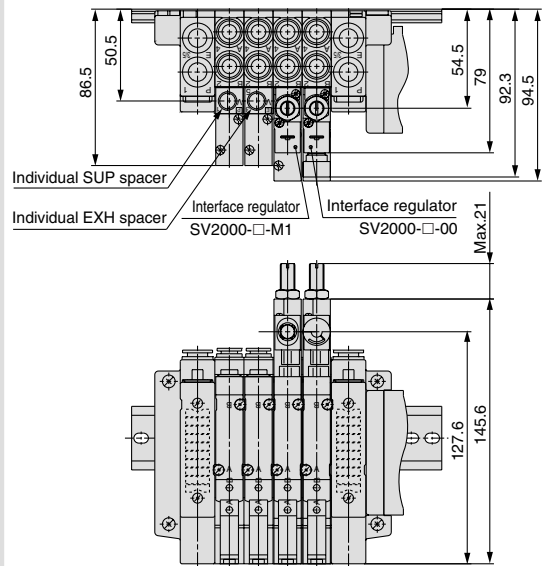
● Cassette base manifold: SS5V2-W16CD-Stations $\begin{matrix} U \\ D \\ B \end{matrix}$ (S, R, RS)- $\begin{matrix} C4, N3 \\ C6, N7 \\ C8, N9 \end{matrix}$

- When P, E port outlets are indicated on the U side or D side, the P, E ports on the opposite side are plugged.
- External pilot port positions and silencer discharge port positions are the same as P, E port outlet positions.

With External Pilot Specifications



With option



L Dimension

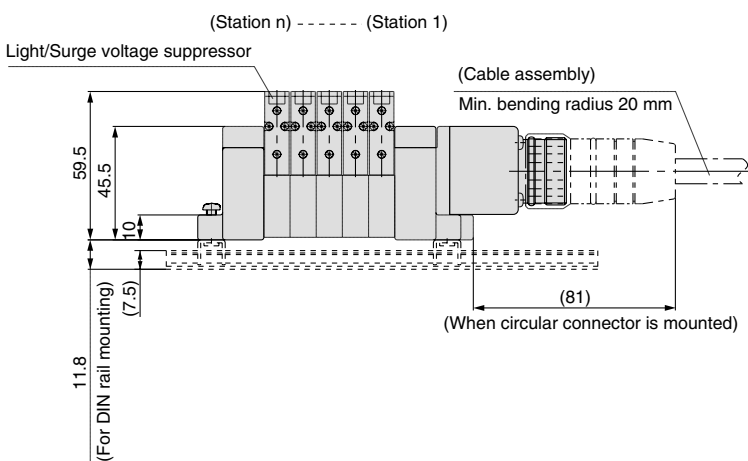
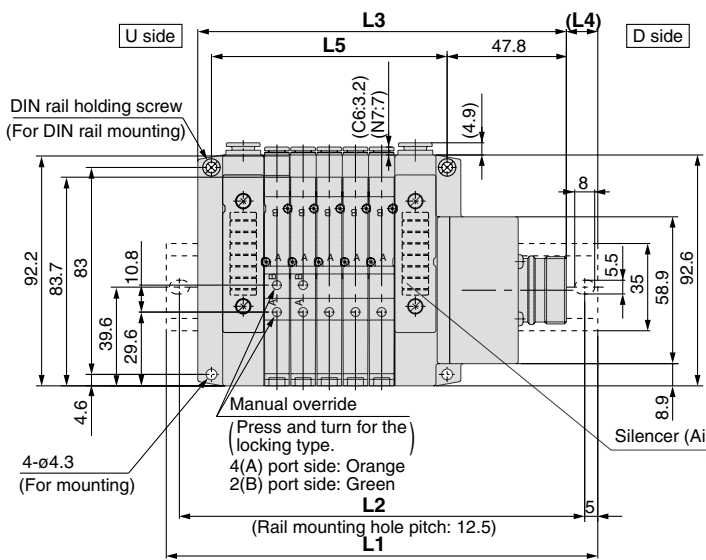
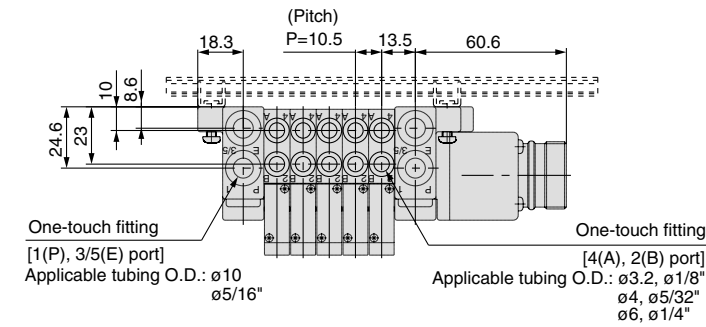
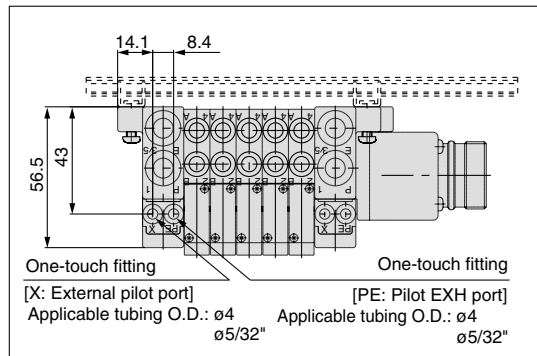
$\begin{matrix} L \\ n \end{matrix}$	2	3	4	5	6	7	8	9	10	11	12	13	14	15	16	17	18	19	20
L1	160.5	185.5	198	210.5	223	248	260.5	273	298	310.5	323	335.5	360.5	373	385.5	410.5	423	435.5	448
L2	150	175	187.5	200	212.5	237.5	250	262.5	287.5	300	312.5	325	350	362.5	375	400	412.5	425	437.5
L3	135.3	151.3	167.3	183.3	199.3	215.3	231.3	247.3	263.3	279.3	295.3	311.3	327.3	343.3	359.3	375.3	391.3	407.3	423.3
L4	12.5	17	15.5	13.5	12	16.5	14.5	13	17.5	15.5	14	12	16.5	15	13	17.5	16	14	12.5

Dimensions: Series SV1000 for Circular Connector

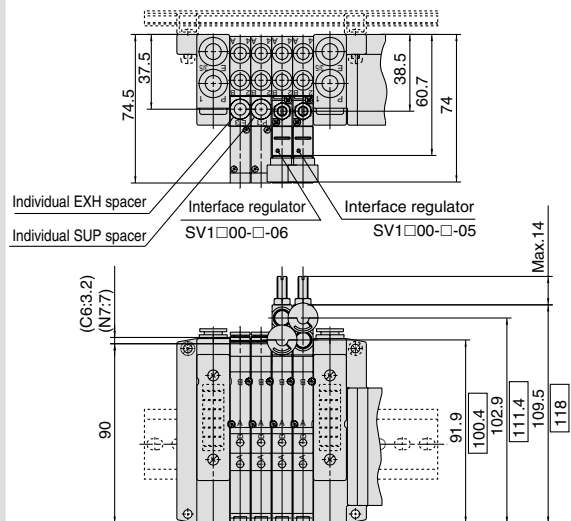
● Tie-rod base manifold: SS5V1-W10CD-Stations $\frac{U}{D}$ (S, R, RS)- $\frac{C3, N1}{C4, N3}$ (-D) $\frac{C6, N7}{C6, N7}$

- When P, E port outlets are indicated on the U side or D side, the P, E ports on the opposite side are plugged.
- External pilot port positions and silencer discharge port positions are the same as P, E port outlet positions.

With External Pilot Specifications



With option



Dimensions are the ones for SV1300-□-□.

L Dimension

L \ n	2	3	4	5	6	7	8	9	10	11	12	13	14	15	16	17	18	19	20
L1	148	160.5	160.5	173	185.5	198	210.5	223	235.5	235.5	248	260.5	273	285.5	298	298	310.5	323	335.5
L2	137.5	150	150	162.5	175	187.5	200	212.5	225	225	237.5	250	262.5	275	287.5	287.5	300	312.5	325
L3	116.3	126.8	137.3	147.8	158.3	168.8	179.3	189.8	200.3	210.8	221.3	231.8	242.3	252.8	263.3	273.8	284.3	294.8	305.3
L4	16	17	11.5	12.5	13.5	14.5	15.5	16.5	17.5	12.5	13.5	14.5	15.5	16.5	17.5	12	13	14	15
L5	63	73.5	84	94.5	105	115.5	126	136.5	147	157.5	168	178.5	189	199.5	210	220.5	231	241.5	252

n: Stations

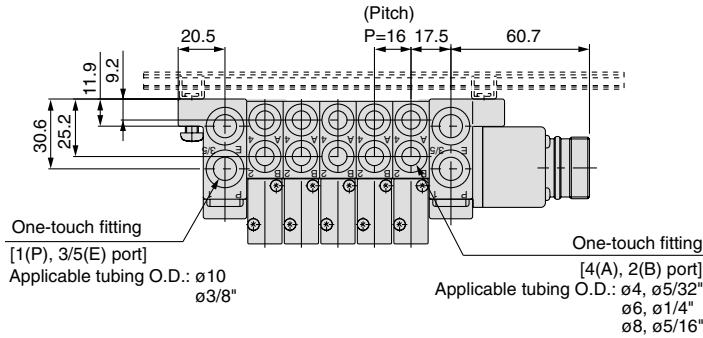
- SJ
- SY
- SV**
- SYJ
- SZ
- VP4
- S0700
- VQ
- VQ4
- VQ5
- VQC
- VQZ
- SQ
- VFS
- VFR
- VQ7

Series SV

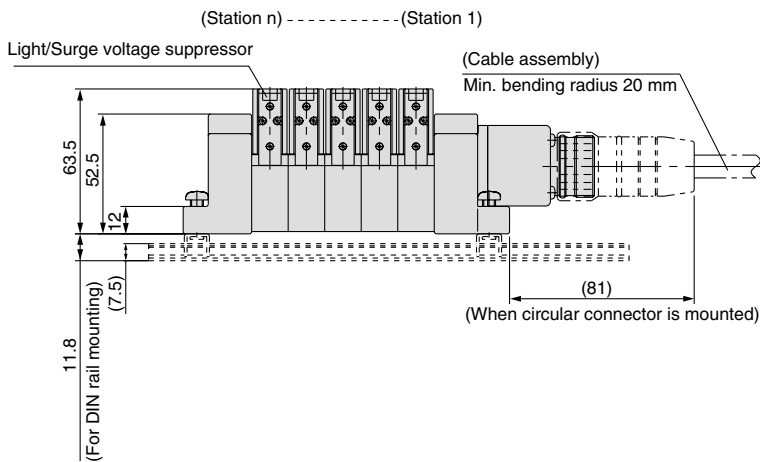
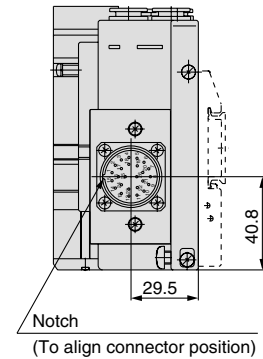
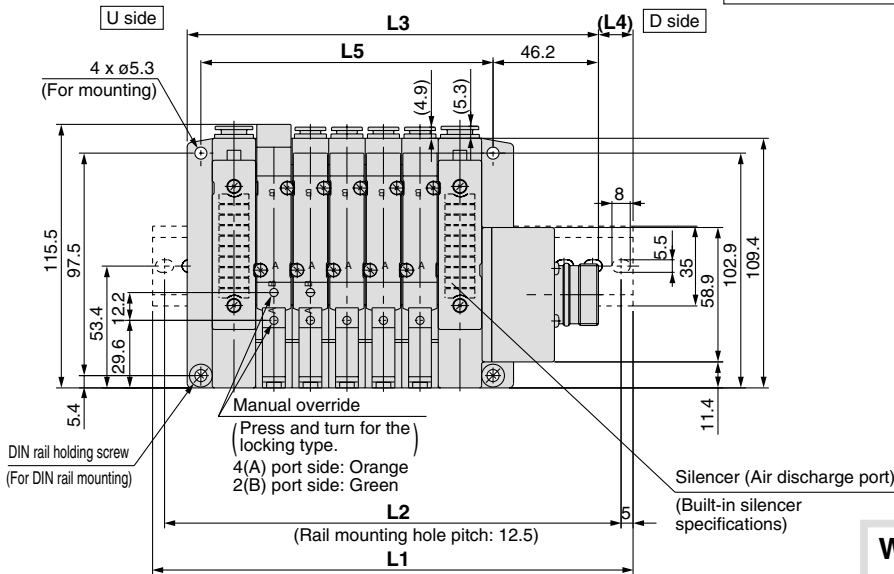
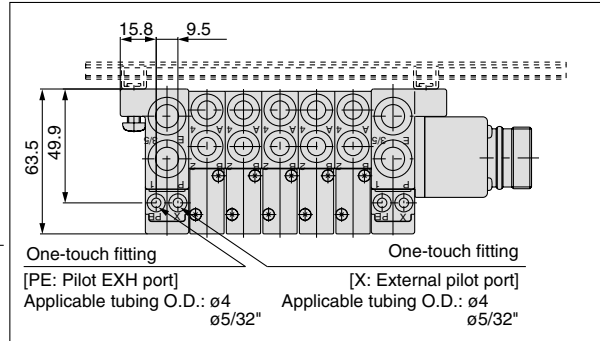
Dimensions: Series SV2000 for Circular Connector

● Tie-rod base manifold: SS5V2-W10CD- Stations $\frac{U}{D}$ (S, R, RS)- $\frac{C4, N3}{C6, N7}$ (-D) $\frac{C8, N9}{C8, N9}$

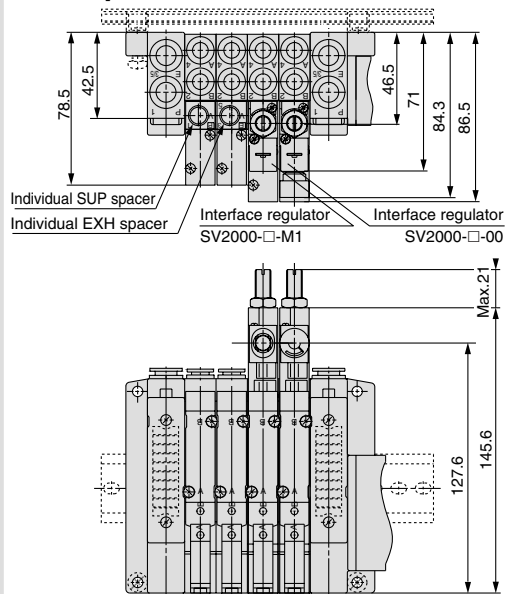
- When P, E port outlets are indicated on the U side or D side, the P, E ports on the opposite side are plugged.
- External pilot port positions and silencer discharge port positions are the same as P, E port outlet positions.



With External Pilot Specifications



With option



L Dimension

L	n	2	3	4	5	6	7	8	9	10	11	12	13	14	15	16	17	18	19	20
L1	n: Stations	160.5	173	198	210.5	223	235.5	260.5	273	285.5	310.5	323	335.5	348	373	385.5	398	423	435.5	448
L2		150	162.5	187.5	200	212.5	225	250	262.5	275	300	312.5	325	337.5	362.5	375	387.5	412.5	425	437.5
L3		132.2	148.2	164.2	180.2	196.2	212.2	228.2	244.2	260.2	276.2	292.2	308.2	324.2	340.2	356.2	372.2	388.2	404.2	420.2
L4		14	12.5	17	15	13.5	11.5	16	14.5	12.5	17	15.5	13.5	12	16.5	14.5	13	17.5	15.5	14
L5		80	96	112	128	144	160	176	192	208	224	240	256	272	288	304	320	336	352	368

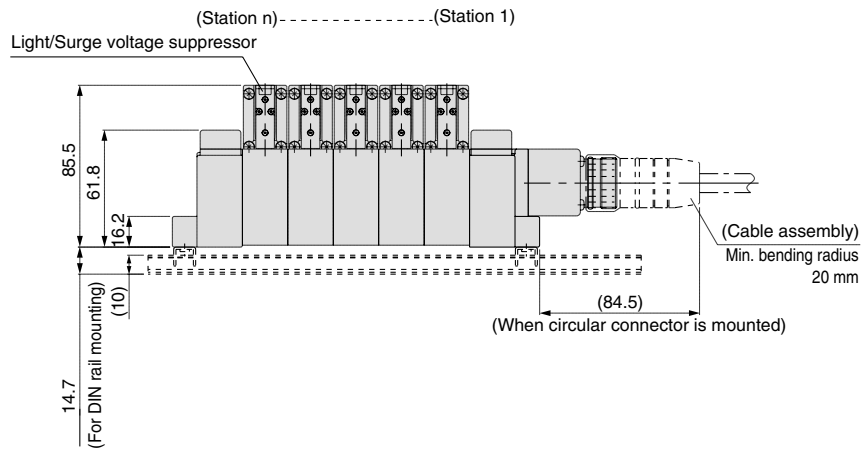
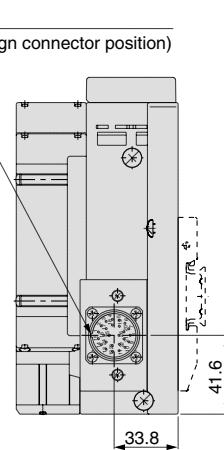
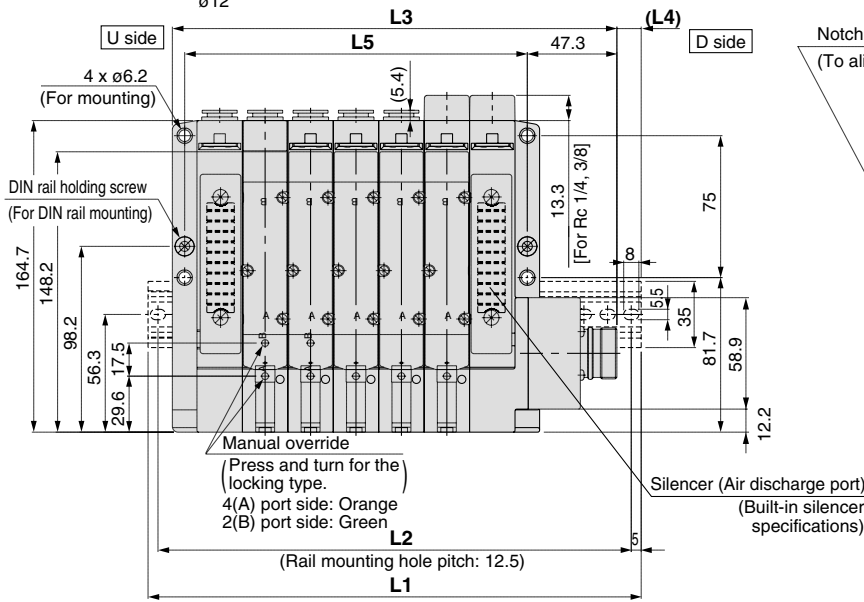
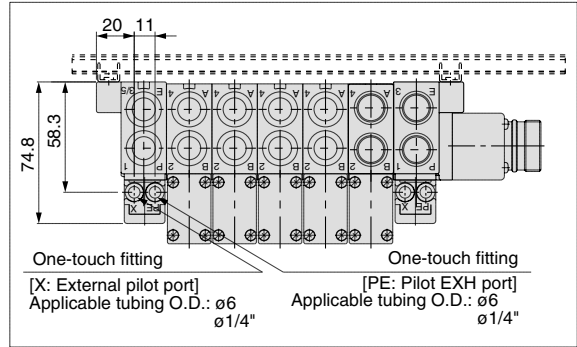
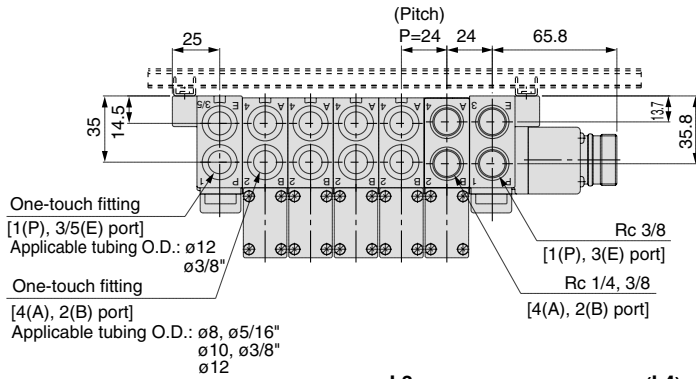
Series SV

Dimensions: Series SV4000 for Circular Connector

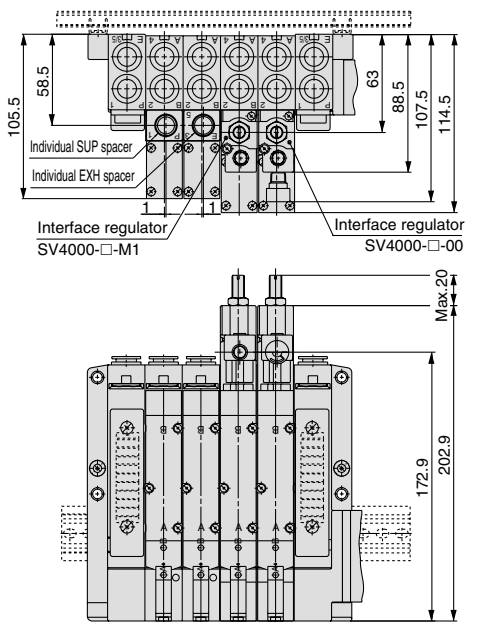
● Tie-rod base manifold: SS5V4-W10CD- $\frac{U}{B}$ Stations (S, R, RS)- $\frac{O2, C8, N9}{O3, C12, N11}$ (-D)

- When P, E port outlets are indicated on the U side or D side, the P, E ports on the opposite side are plugged.
- External pilot port positions and silencer discharge port positions are the same as P, E port outlet positions.

With External Pilot Specifications



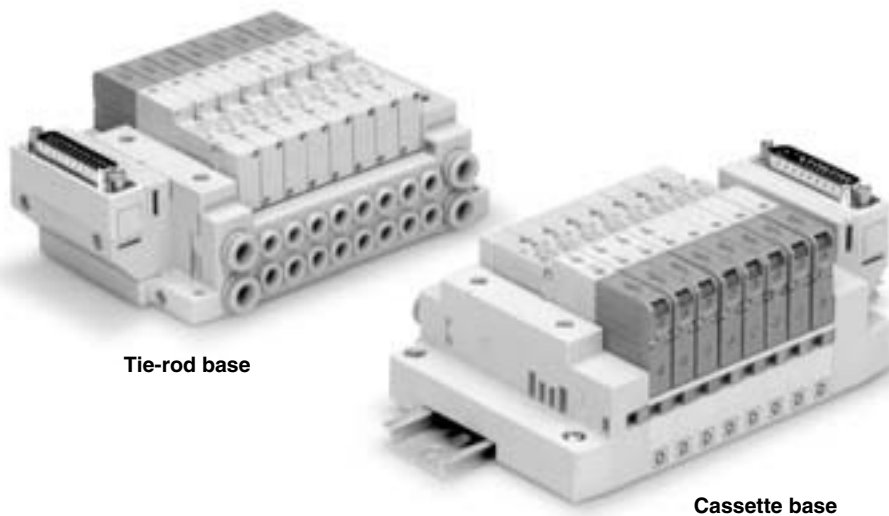
With option



L Dimension

L_n	2	3	4	5	6	7	8	9	10	11	12	13	14	15	16	17	18	19	20
L1	198	210.5	235.5	260.5	285.5	310.5	335.5	360.5	385.5	410.5	435.5	460.5	485.5	498	523	548	573	598	623
L2	187.5	200	225	250	275	300	325	350	375	400	425	450	475	487.5	512.5	537.5	562.5	587.5	612.5
L3	162.8	186.8	210.8	234.8	258.8	282.8	306.8	330.8	354.8	378.8	402.8	426.8	450.8	474.8	498.8	522.8	546.8	570.8	594.8
L4	17.5	12	12.5	13	13.5	14	14.5	15	15.5	16	16.5	17	17.5	11.5	12	12.5	13	13.5	14
L5	109	133	157	181	205	229	253	277	301	325	349	373	397	421	445	469	493	517	541

D-sub Connector



Tie-rod base

Cassette base

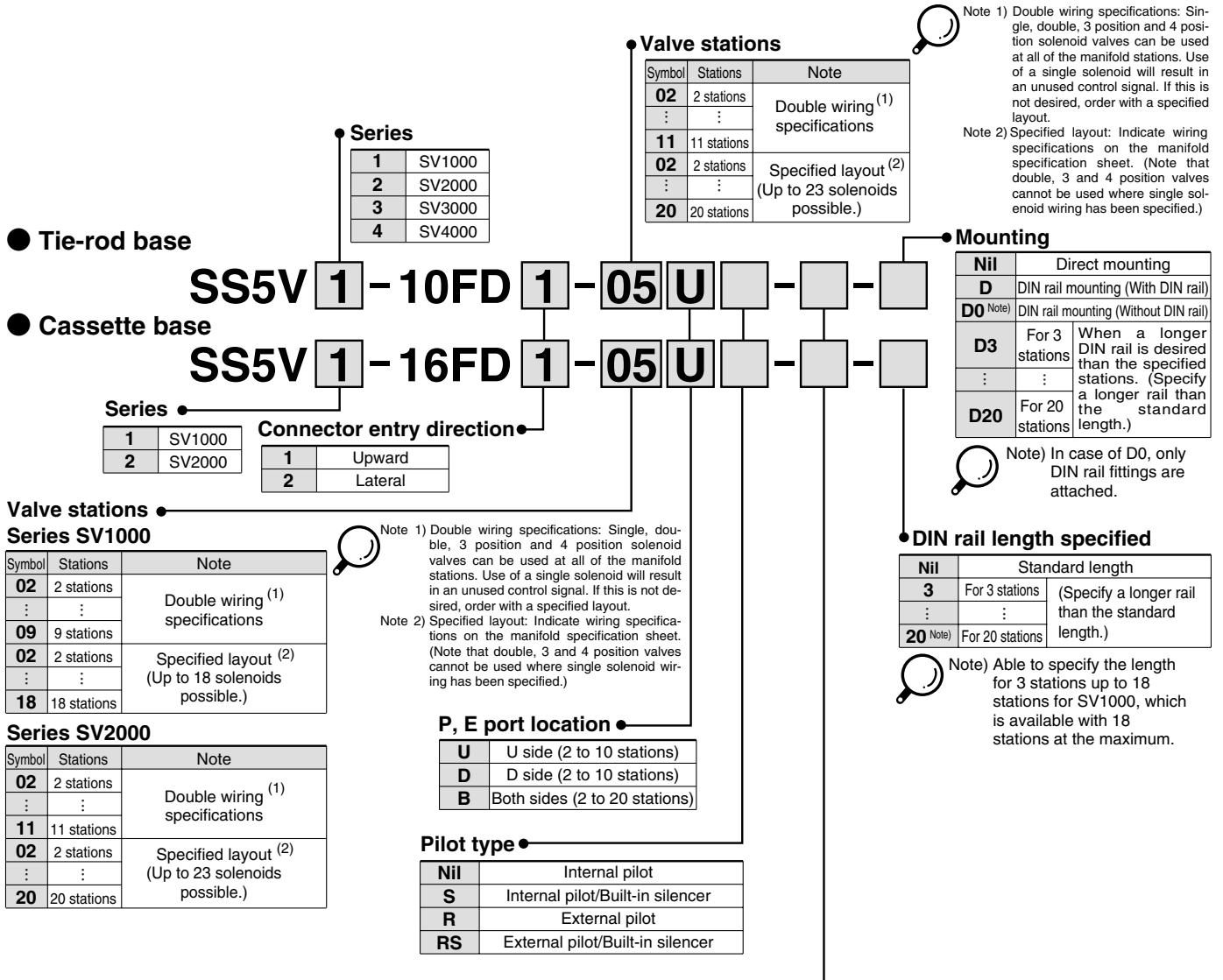
Applicable series	Cassette base manifold SV1000/SV2000
	Tie-rod base manifold SV1000/SV2000/SV3000/SV4000
	<ul style="list-style-type: none"> • Number of connectors: 25 pins • MIL-C-24308 Conforming to JIS-X-5101

SJ
SY
SV
SYJ
SZ
VP4
S0700
VQ
VQ4
VQ5
VQC
VQZ
SQ
VFS
VFR
VQ7

D-sub Connector Series SV



How to Order Manifold



A, B port size (metric)

Symbol	A, B port	P, E port	Applicable series
C3	One-touch fitting for ø3.2	One-touch fitting for ø8	SV1000
C4	One-touch fitting for ø4		
C6	One-touch fitting for ø6		
C4	One-touch fitting for ø4	One-touch fitting for ø10	SV2000
C6	One-touch fitting for ø6		
C8	One-touch fitting for ø8		
C6	One-touch fitting for ø6	One-touch fitting for ø12	SV3000
C8	One-touch fitting for ø8		
C10	One-touch fitting for ø10		
C8	One-touch fitting for ø8	One-touch fitting for ø12	SV4000
C10	One-touch fitting for ø10		
C12	One-touch fitting for ø12		
02	Rc 1/4	Rc 3/8	SV4000
03	Rc 3/8		
02F	G 1/4		
03F	G 3/8	G 3/8	
M	A, B ports mixed		

A, B port size (inch)

Symbol	A, B port	P, E port	Applicable series
N1	One-touch fitting for ø1/8"	One-touch fitting for ø5/16"	SV1000
N3	One-touch fitting for ø5/32"		
N7	One-touch fitting for ø1/4"		
N3	One-touch fitting for ø5/32"	One-touch fitting for ø3/8"	SV2000
N7	One-touch fitting for ø1/4"		
N9	One-touch fitting for ø5/16"		
N7	One-touch fitting for ø1/4"	One-touch fitting for ø3/8"	SV3000
N9	One-touch fitting for ø5/16"		
N11	One-touch fitting for ø3/8"		
N9	One-touch fitting for ø5/16"	One-touch fitting for ø3/8"	SV4000
N11	One-touch fitting for ø3/8"		
02N	NPT 1/4		
03N	NPT 3/8	NPT 3/8	
02T	NPTF 1/4	NPTF 3/8	
03T	NPTF 3/8		
M	A, B ports mixed		

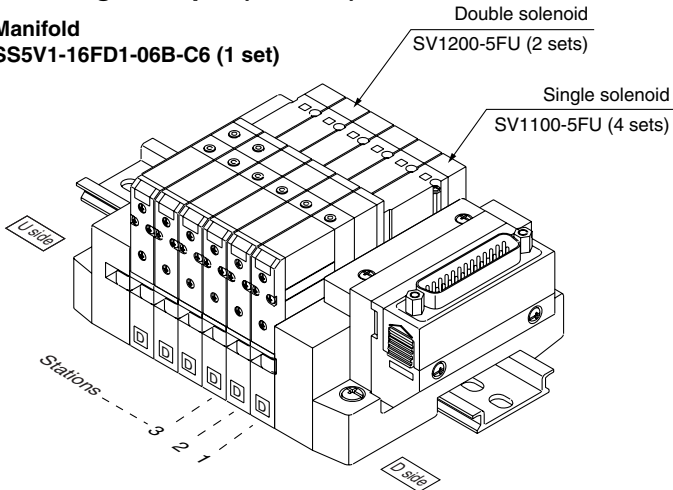
* In the case of mixed specifications (M), indicate separately on the manifold specification sheet.

* Port sizes of X, PE port for external pilot specifications (R, RS) are ø4 (metric), ø5/32" (inch) for SV1000/2000 and ø6 (metric) and ø1/4" (inch) for SV3000/4000.

How to Order Manifold Assembly

Ordering example (SV1000)

Manifold
SS5V1-16FD1-06B-C6 (1 set)



SS5V1-16FD1-06B-C6.....1 set (manifold part no.)
* SV1100-5FU.....4 sets (Single solenoid part no.)
* SV1200-5FU.....2 sets (Double solenoid part no.)

How to Order Solenoid Valves

SV 1 1 0 0 - 5 F - - -

Series

1	SV1000
2	SV2000
3	SV3000
4	SV4000

Type of actuation

1	2 position single
2	2 position double
3	3 position closed center
4	3 position exhaust center
5	3 position pressure center
A	4 position dual 3 port valve: N.C./N.C.
B	4 position dual 3 port valve: N.O./N.O.
C	4 position dual 3 port valve: N.C./N.O.

* 4 position dual 3 port valves are applicable to Series SV1000 and SV2000 only.

Pilot type

Nil	Internal pilot
R	External pilot

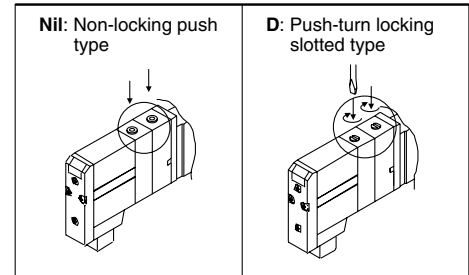
* External pilot specifications is not available for 4 position dual 3 port valves.

Note) Available with manifold block for station additions. Refer to pages 429 and 433.

Made to Order

Nil	—
X90	Main valve fluoro rubber (Refer to page 448.)

Manual override



Light/Surge voltage suppressor

U	With light/surge voltage suppressor
R	With surge voltage suppressor

Rated voltage

5	24 VDC
6	12 VDC

Back pressure check valve

Nil	None
K	Built-in

* Built-in back pressure check valve type is applicable to series SV1000 only.

* Back pressure check valve is not available for 3 position valve.

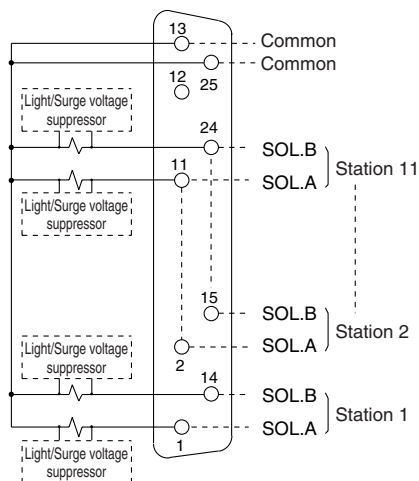


Refer to Specific Product Precautions 2 on page 450.

SJ
SY
SV
SVJ
SZ
VP4
S0700
VQ
VQ4
VQ5
VQC
VQZ
SQ
VFS
VFR
VQ7

Manifold Electrical Wiring

10F/16F D-sub Connector Type (25 pins)



- This circuit has double wiring specifications for up to 11 stations. Since the usable number of solenoids differs depending on the manifold type, refer to the table below.
In the case of single solenoids, connect to SOL.A. Furthermore, when wiring is specified on the manifold specification sheet, connections are made without skipping any connectors, and signals A for single and A, B for double are in order 1 → 14 → 2 → 15, etc.
- Stations are counted from D side (connector side) as the 1st.
- Since solenoid valves do not have polarity, either the +COM or -COM can be used.

Usable No. of Solenoids

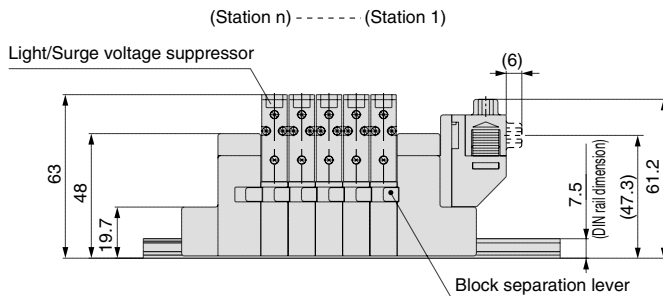
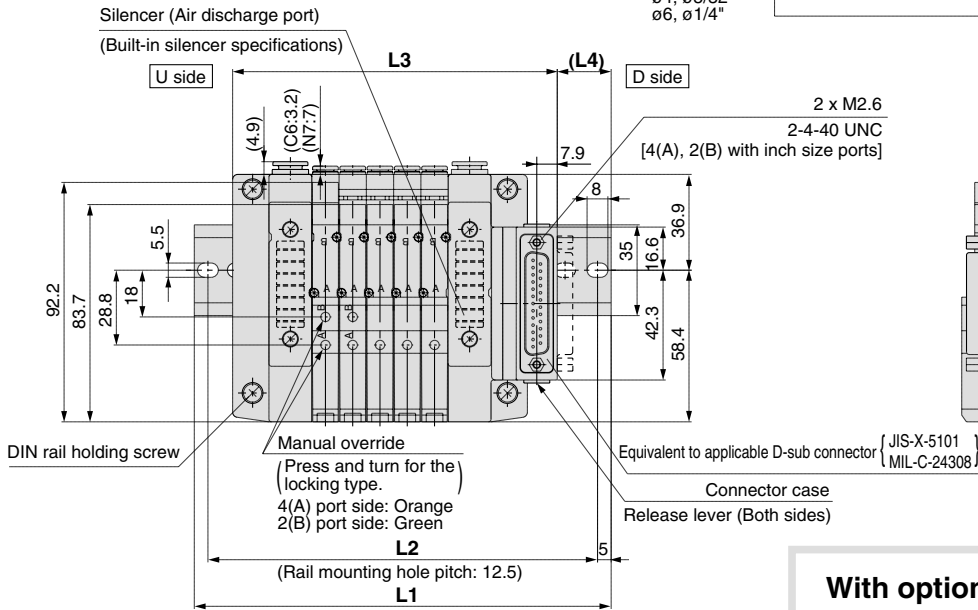
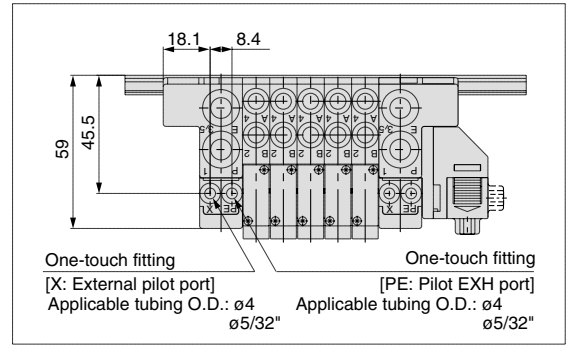
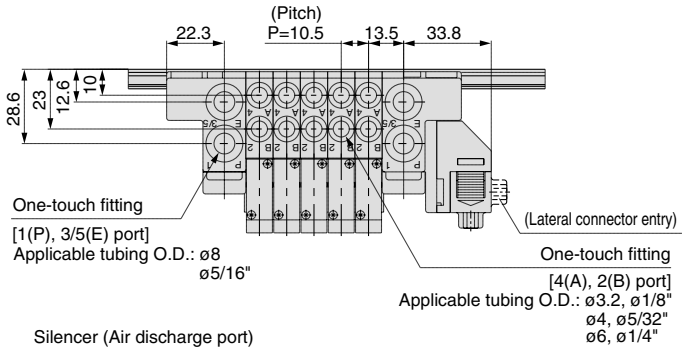
Model		Max. no. of solenoids
Tie-rod base type 10	SV1000 to SV4000	23
Cassette base type 16	SV1000	18
	SV2000	23

Dimensions: Series SV1000 for D-sub Connector

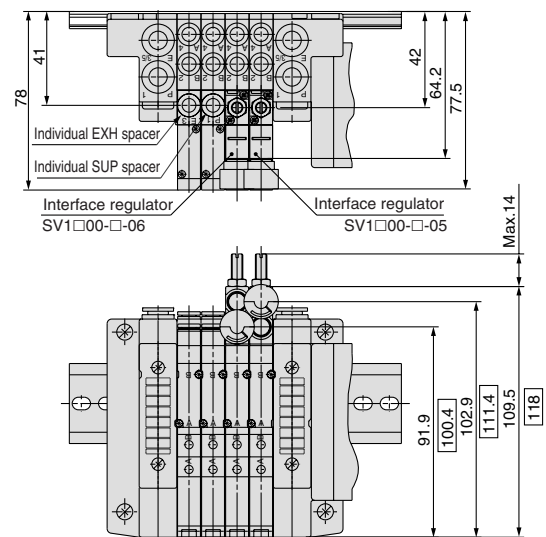
● **Cassette base manifold: SS5V1-16FD₂¹-** Stations $\frac{U}{D}$ (S, R, RS)- C3, N1
C4, N3
C6, N7

- When P, E port outlets are indicated on the U side or D side, the P, E ports on the opposite side are plugged.
- External pilot port positions and silencer discharge port positions are the same as P, E port outlet positions.

With External Pilot Specifications



With option



☐ Dimensions are the ones for SV1300-□-□-□.

L Dimension

L ⁿ	2	3	4	5	6	7	8	9	10	11	12	13	14	15	16	17	18
L1	123	135.5	148	160.5	173	185.5	198	198	210.5	223	235.5	248	260.5	260.5	273	285.5	298
L2	112.5	125	137.5	150	162.5	175	187.5	187.5	200	212.5	225	237.5	250	250	262.5	275	287.5
L3	93.5	104	114.5	125	135.5	146	156.5	167	177.5	188	198.5	209	219.5	230	240.5	251	261.5
L4	18	19	20	21	22	23	24	18.5	19.5	20.5	21.5	22.5	23.5	18.5	19.5	20.5	21.5

- SJ
- SY
- SV**
- SYJ
- SZ
- VP4
- S0700
- VQ
- VQ4
- VQ5
- VQC
- VQZ
- SQ
- VFS
- VFR
- VQ7

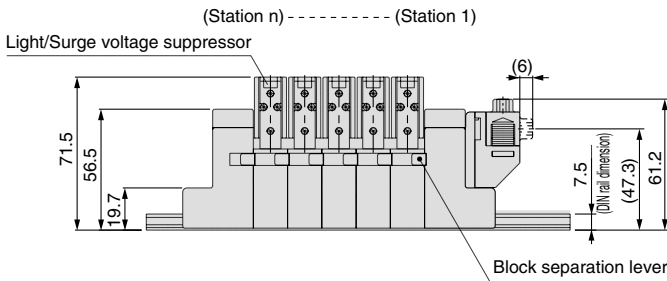
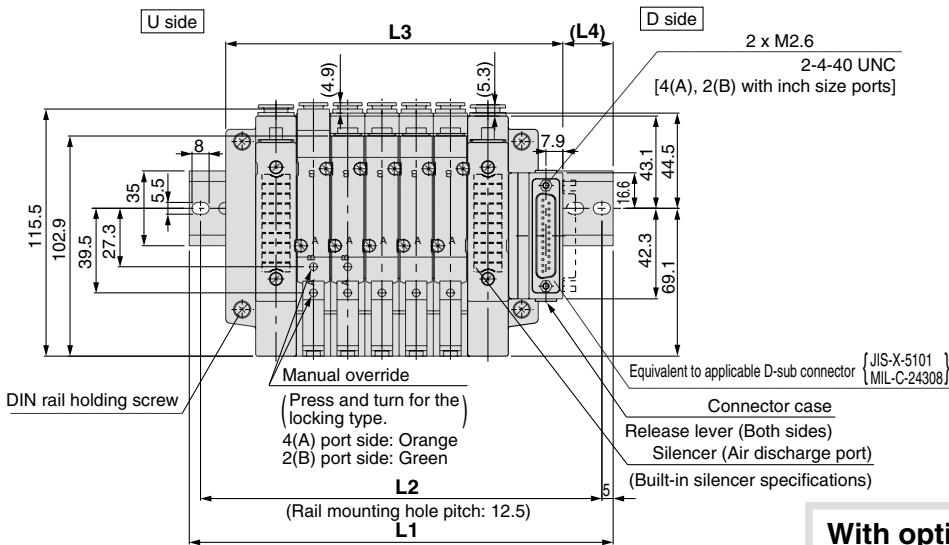
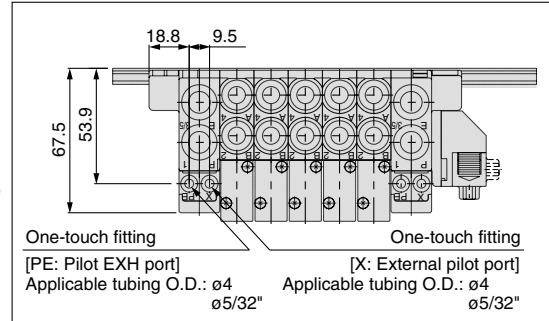
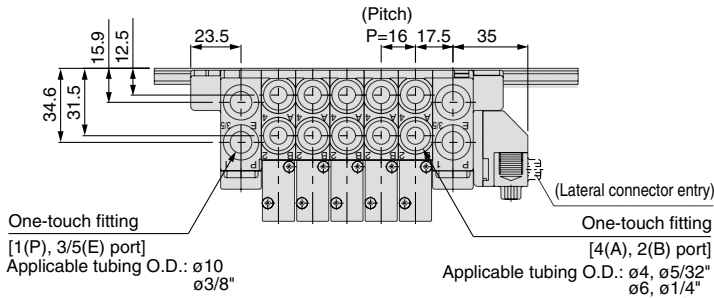
Series SV

Dimensions: Series SV2000 for D-sub Connector

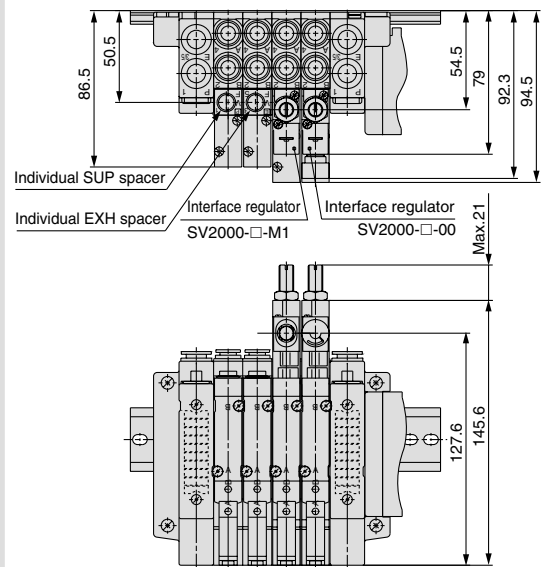
● Cassette base manifold: SS5V2-16FD₂ - Stations $\frac{U}{D}$ (S, R, RS) - C4, N3 C6, N7 C8, N9

- When P, E port outlets are indicated on the U side or D side, the P, E ports on the opposite side are plugged.
- External pilot port positions and silencer discharge port positions are the same as P, E port outlet positions.

With External Pilot Specifications



With option



L Dimension

$\frac{L}{n}$	2	3	4	5	6	7	8	9	10	11	12	13	14	15	16	17	18	19	20
L1	148	160.5	173	198	210.5	223	235.5	260.5	273	285.5	310.5	323	335.5	348	373	385.5	398	423	435.5
L2	137.5	150	162.5	187.5	200	212.5	225	250	262.5	275	300	312.5	325	337.5	362.5	375	387.5	412.5	425
L3	109.5	125.5	141.5	157.5	173.5	189.5	205.5	221.5	237.5	253.5	269.5	285.5	301.5	317.5	333.5	349.5	365.5	381.5	397.5
L4	22.5	20.5	19	23.5	21.5	20	18	22.5	21	19	23.5	22	20	18.5	23	21	19.5	24	22

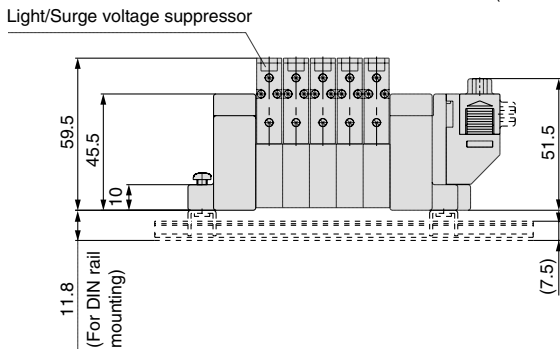
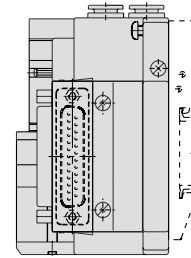
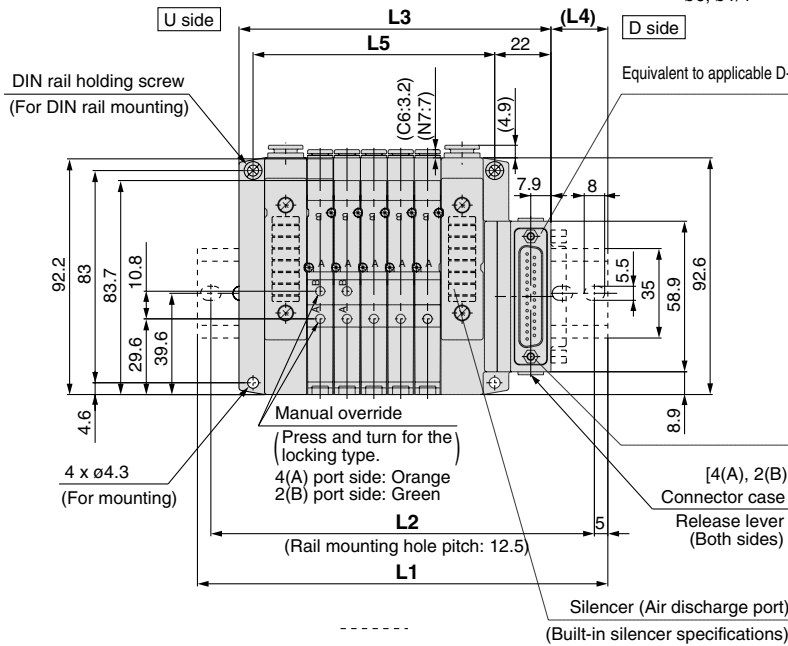
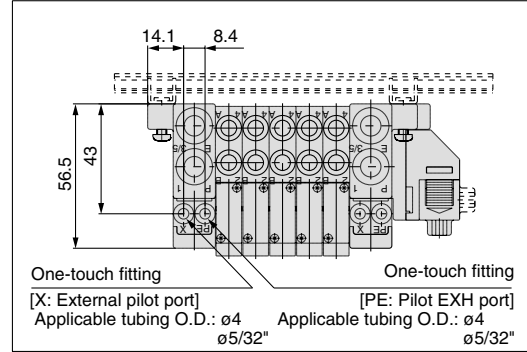
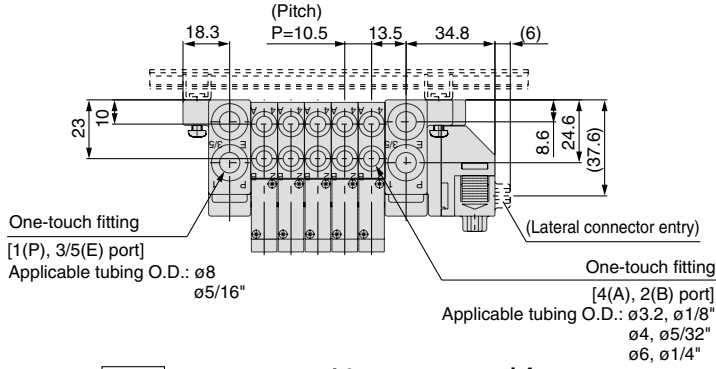
n: Stations

Dimensions: Series SV1000 for D-sub Connector

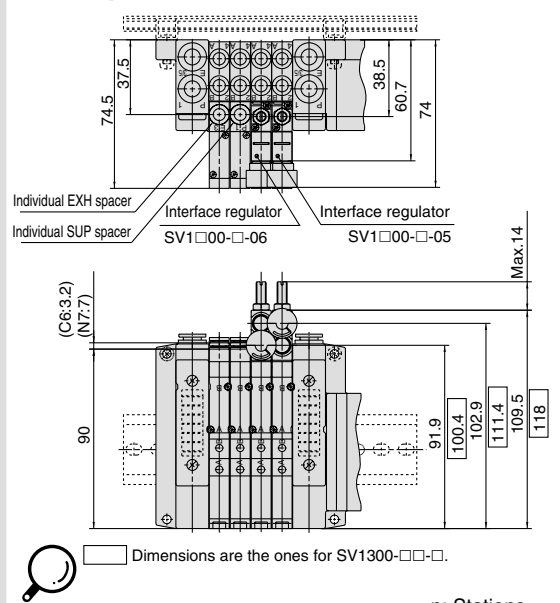
● Tie-rod base manifold: SS5V1-10FD₂ - Stations $\begin{matrix} U \\ D \end{matrix}$ (S, R, RS)- $\begin{matrix} C3, N1 \\ C4, N3 \\ C6, N7 \end{matrix}$ (-D)

- When P, E port outlets are indicated on the U side or D side, the P, E ports on the opposite side are plugged.
- External pilot port positions and silencer discharge port positions are the same as P, E port outlet positions.

With External Pilot Specifications



With option



L Dimension

L \ n	2	3	4	5	6	7	8	9	10	11	12	13	14	15	16	17	18	19	20
L1	123	135.5	148	160.5	173	173	185.5	198	210.5	223	235.5	235.5	248	260.5	273	285.5	298	310.5	310.5
L2	112.5	125	137.5	150	162.5	162.5	175	187.5	200	212.5	225	225	237.5	250	262.5	275	287.5	300	300
L3	90.5	101	111.5	122	132.5	143	153.5	164	174.5	185	195.5	206	216.5	227	237.5	248	258.5	269	279.5
L4	19.5	20.5	21.5	22.5	23.5	18	19	20	21	22	23	18	19	20	21	22	23	24	18.5
L5	63	73.5	84	94.5	105	115.5	126	136.5	147	157.5	168	178.9	189	199.5	210	220.5	231	241.5	252

n: Stations

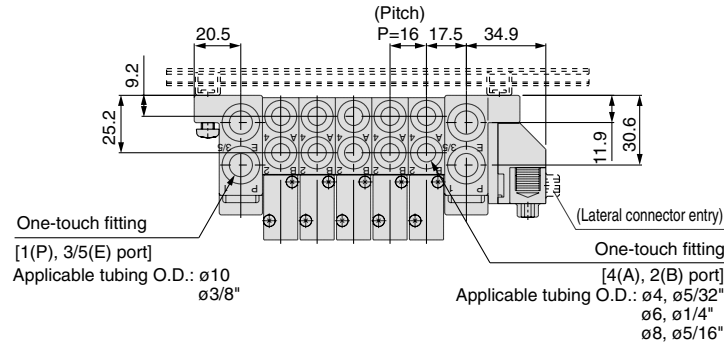
- SJ
- SY
- SV
- SYJ
- SZ
- VP4
- S0700
- VQ
- VQ4
- VQ5
- VQC
- VQZ
- SQ
- VFS
- VFR
- VQ7

Series SV

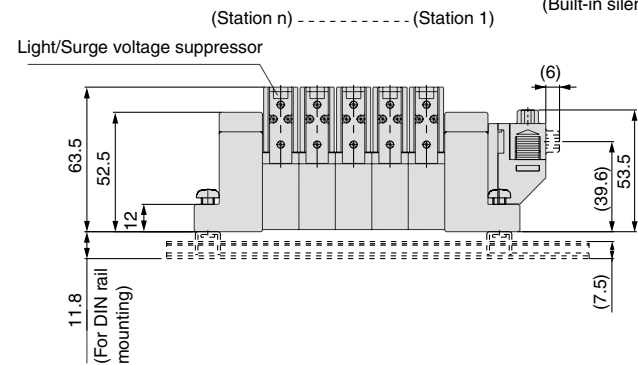
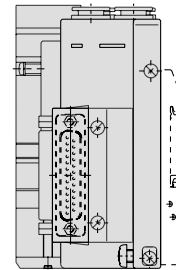
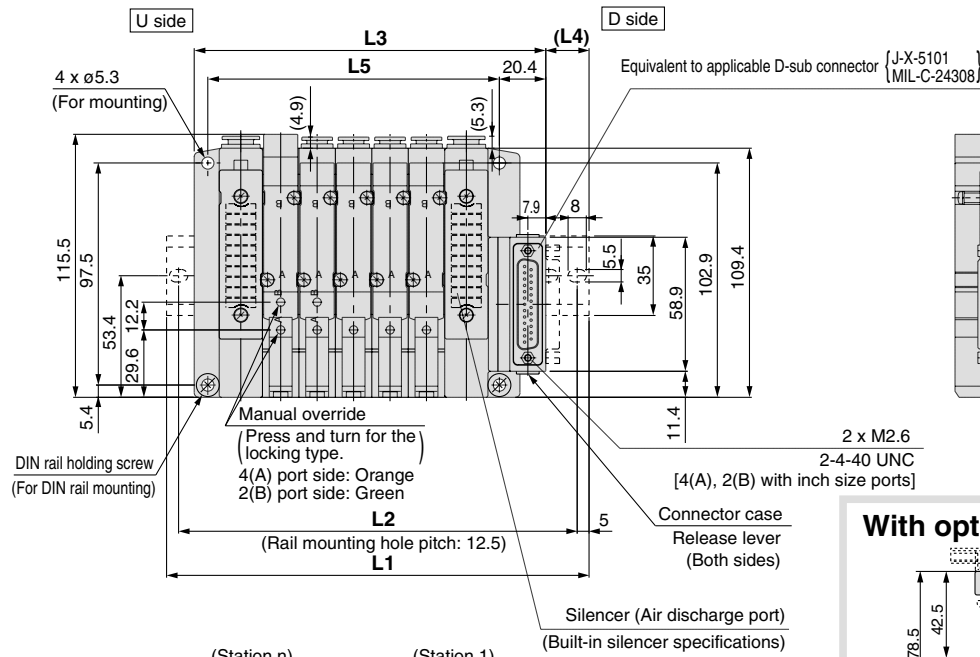
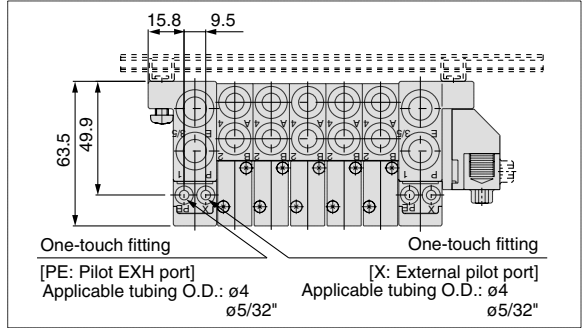
Dimensions: Series SV2000 for D-sub Connector

● Tie-rod base manifold: SS5V2-10FD₂ - Stations $\frac{U}{D}$ (S, R, RS) - C4, N3
C6, N7 (-D)
C8, N9

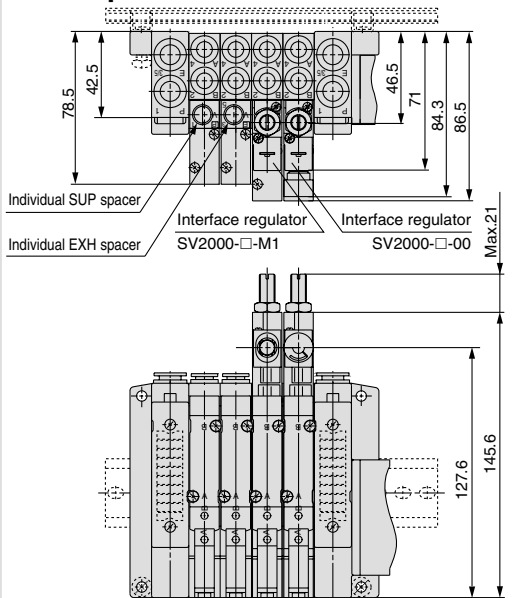
- When P, E port outlets are indicated on the U side or D side, the P, E ports on the opposite side are plugged.
- External pilot port positions and silencer discharge port positions are the same as P, E port outlet positions.



With External Pilot Specifications



With option



L Dimension

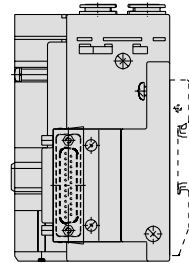
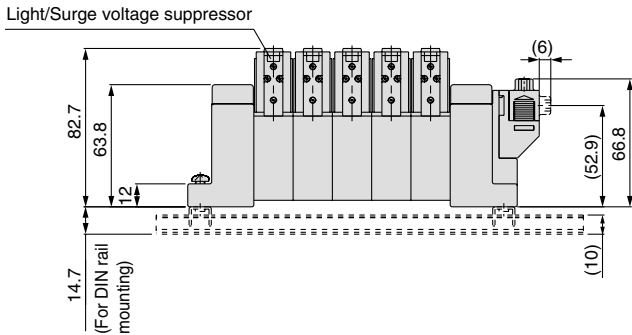
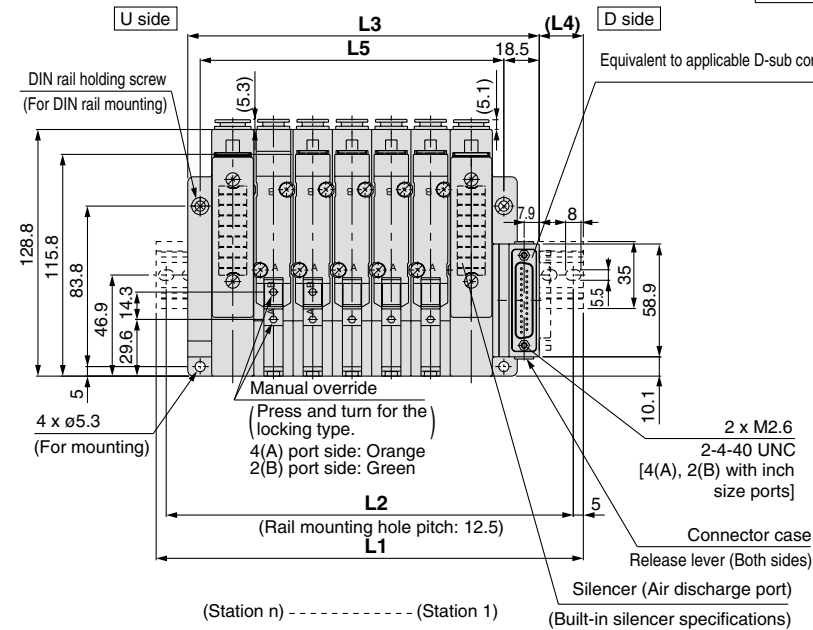
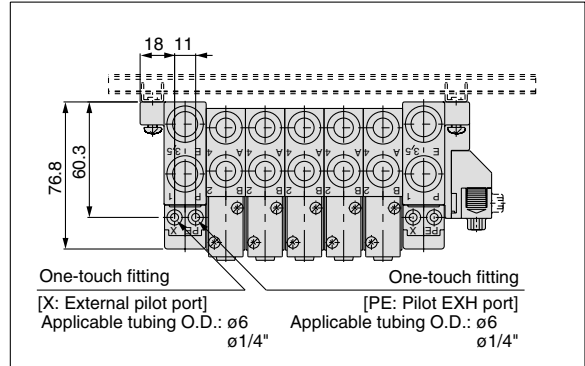
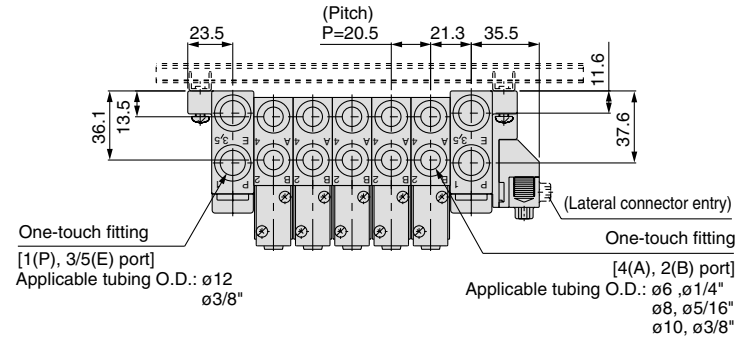
L	n	2	3	4	5	6	7	8	9	10	11	12	13	14	15	16	17	18	19	20
L1	n: Stations	135.5	160.5	173	185.5	210.5	223	235.5	248	273	285.5	298	323	335.5	348	360.5	385.5	398	410.5	435.5
L2		125	150	162.5	175	200	212.5	225	237.5	262.5	275	287.5	312.5	325	337.5	350	375	387.5	400	425
L3		106.4	122.4	138.4	154.4	170.4	186.4	202.4	218.4	234.4	250.4	266.4	282.4	298.4	314.4	330.4	346.4	362.4	378.4	394.4
L4		17.5	22	20.5	18.5	23	21.5	19.5	18	22.5	20.5	19	23.5	21.5	20	18	22.5	21	19	23.5
L5		80	96	112	128	144	160	176	192	208	224	240	256	272	288	304	320	336	352	368

Dimensions: Series SV3000 for D-sub Connector

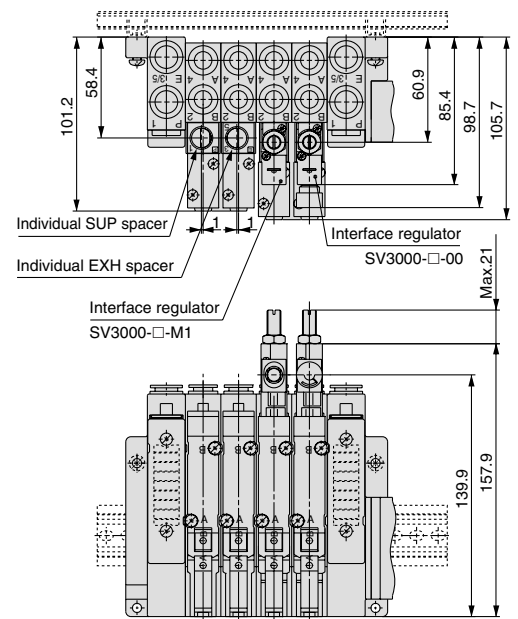
● Tie-rod base manifold: SS5V3-10FD₂ - Stations $\begin{matrix} U \\ D \\ B \end{matrix}$ (S, R, RS) - C6, N7 C8, N9 C10, N11 (-D)

- When P, E port outlets are indicated on the U side or D side, the P, E ports on the opposite side are plugged.
- External pilot port positions and silencer discharge port positions are the same as P, E port outlet positions.

With External Pilot Specifications



With option



L Dimension

L	n	2	3	4	5	6	7	8	9	10	11	12	13	14	15	16	17	18	19	20
L1	n	160.5	173	198	223	235.5	260.5	285.5	298	323	348	360.5	385.5	398	423	448	460.5	485.5	510.5	523
L2	n	150	162.5	187.5	212.5	225	250	275	287.5	312.5	337.5	350	375	387.5	412.5	437.5	450	475	500	512.5
L3	n	122	142.5	163	183.5	204	224.5	245	265.5	286	306.5	327	347.5	368	388.5	409	429.5	450	470.5	491
L4	n	22.5	18.5	20.5	23	19	21	23.5	19.5	21.5	24	20	22	18	20.5	22.5	18.5	21	23	19
L5	n	97	117.5	138	158.5	179	199.5	220	240.5	261	281.5	302	322.5	343	363.5	384	404.5	425	445.5	466

n: Stations

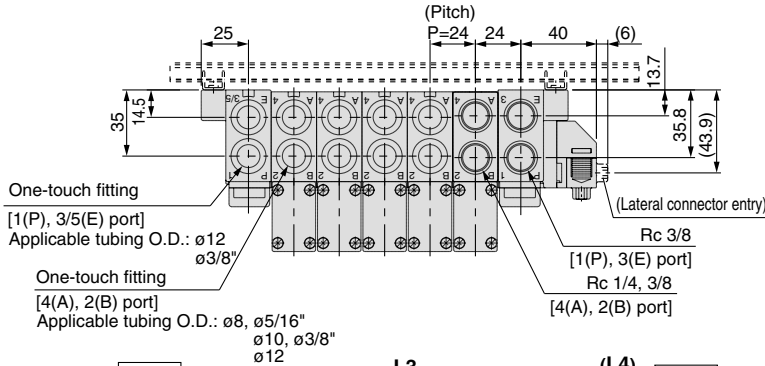
- SJ
- SY
- SV**
- SYJ
- SZ
- VP4
- S0700
- VQ
- VQ4
- VQ5
- VQC
- VQZ
- SQ
- VFS
- VFR
- VQ7

Series SV

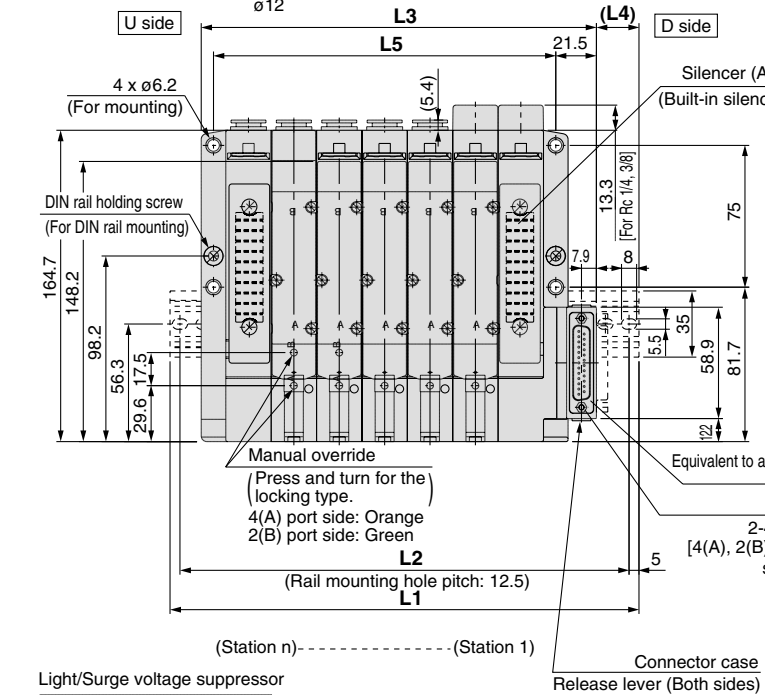
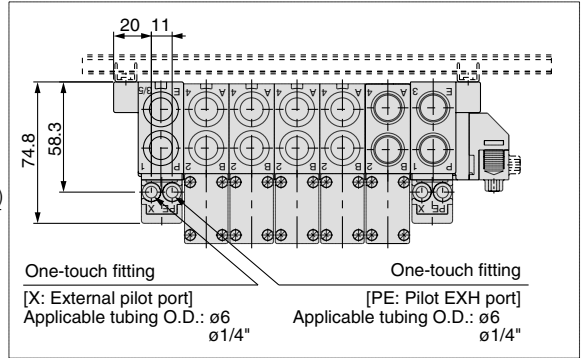
Dimensions: Series SV4000 for D-sub Connector

● Tie-rod base manifold: SS5V4-10FD₂ - Stations $\frac{U}{D}$ (S, R, RS) - $\frac{02, C8, N9}{03, C10, C12}$ (-D)

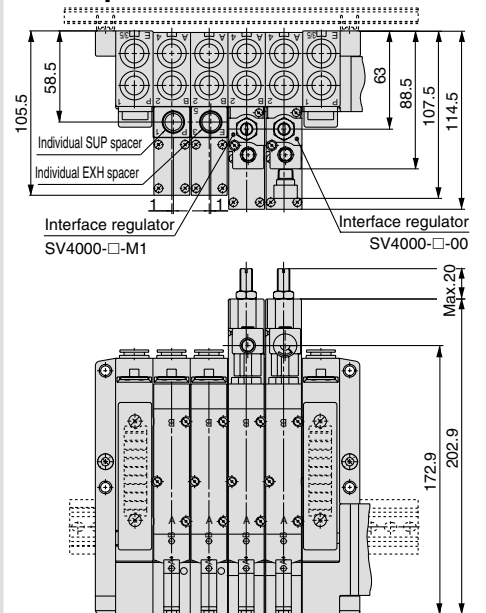
- When P, E port outlets are indicated on the U side or D side, the P, E ports on the opposite side are plugged.
- External pilot port positions and silencer discharge port positions are the same as P, E port outlet positions.



With External Pilot Specifications



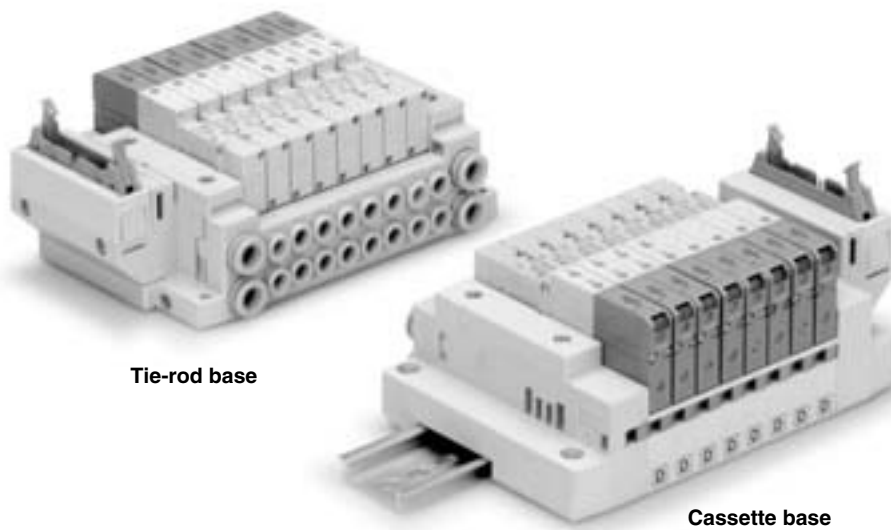
With option



L Dimension

L	n	2	3	4	5	6	7	8	9	10	11	12	13	14	15	16	17	18	19	20
L1	n	173	198	223	248	273	298	310.5	335.5	360.5	385.5	410.5	435.5	460.5	485.5	510.5	535.5	560.5	585.5	610.5
L2	n	162.5	187.5	212.5	237.5	262.5	287.5	300	325	350	375	400	425	450	475	500	525	550	575	600
L3	n	137	161	185	209	233	257	281	305	329	353	377	401	425	449	473	497	521	545	569
L4	n	21	21.5	22	22.5	23	23.5	18	18.5	19	19.5	20	20.5	21	21.5	22	22.5	23	23.5	24
L5	n	109	133	157	181	205	229	253	277	301	325	349	373	397	421	445	469	493	517	541

Flat Ribbon Cable Connector



Tie-rod base

Cassette base

Applicable series	Cassette base manifold SV1000/SV2000
	Tie-rod base manifold SV1000/SV2000/SV3000/SV4000
	<ul style="list-style-type: none"> • Number of connectors: 26, 20, 10 pins • With strain relief <p>Conforming to MIL-C-83503</p>

SJ

SY

SV

SYJ

SZ

VP4

S0700

VQ

VQ4

VQ5

VQC

VQZ

SQ

VFS

VFR

VQ7

Flat Ribbon Cable Connector Series SV



How to Order Manifold

Connector type

P	Flat ribbon cable connector: 26 pins
PG	Flat ribbon cable connector: 20 pins
PH	Flat ribbon cable connector: 10 pins

Series

1	SV1000
2	SV2000
3	SV3000
4	SV4000

Valve stations

P: Flat ribbon cable 26 pins

02	2 stations	Double wiring (1) specifications
⋮	⋮	
12	12 stations	Specified layout (2) (Up to 24 solenoids possible.)
02	2 stations	
⋮	⋮	
20	20 stations	

PH: Flat ribbon cable 10 pins

02	2 stations	Double wiring (1) specifications
⋮	⋮	
04	4 stations	Specified layout (2) (Up to 8 solenoids possible.)
02	2 stations	
⋮	⋮	
08	8 stations	

PG: Flat ribbon cable 20 pins

02	2 stations	Double wiring (1) specifications
⋮	⋮	
09	9 stations	Specified layout (2) (Up to 18 solenoids possible.)
02	2 stations	
⋮	⋮	
18	18 stations	

Tie-rod base
SS5V 1-10 P D 1-05 U

Cassette base
SS5V 1-16 P D 1-05 U

Mounting

Nil	Direct mounting
D	DIN rail mounting (With DIN rail)
D0 (Note)	DIN rail mounting (Without DIN rail)
D3	For 3 stations When a longer DIN rail is desired than the specified stations. (Specify a longer rail than the standard length.)
⋮	⋮
D20	For 20 stations When a longer DIN rail is desired than the specified stations. (Specify a longer rail than the standard length.)

Note) In case of D0, only DIN rail fittings are attached.

Connector entry direction

1	Upward
2	Lateral

P, E port location

U	U side (2 to 10 stations)
D	D side (2 to 10 stations)
B	Both sides (2 to 20 stations)

Pilot type

Nil	Internal pilot
S	Internal pilot/Built-in silencer
R	External pilot
RS	External pilot/Built-in silencer

DIN rail length specified

Nil	Standard length
3	For 3 stations (Specify a longer rail than the standard length.)
⋮	⋮
20 (Note)	For 20 stations (Specify a longer rail than the standard length.)

Note) Able to specify the length for 3 stations up to 18 stations for SV1000, which is available with 18 stations at the maximum.

Valve stations • Series SV1000

P: Flat ribbon cable 26 pins		PH: Flat ribbon cable 10 pins	
02	2 stations	02	2 stations
⋮	⋮	⋮	⋮
09	9 stations	04	4 stations
02	2 stations	02	2 stations
⋮	⋮	⋮	⋮
18	18 stations	08	8 stations
PG: Flat ribbon cable 20 pins			
02	2 stations		
⋮	⋮		
09	9 stations		
02	2 stations		
⋮	⋮		
18	18 stations		

Series SV2000

P: Flat ribbon cable 26 pins		PH: Flat ribbon cable 10 pins	
02	2 stations	02	2 stations
⋮	⋮	⋮	⋮
12	12 stations	04	4 stations
02	2 stations	02	2 stations
⋮	⋮	⋮	⋮
20	20 stations	08	8 stations
PG: Flat ribbon cable 20 pins			
02	2 stations		
⋮	⋮		
09	9 stations		
02	2 stations		
⋮	⋮		
18	18 stations		

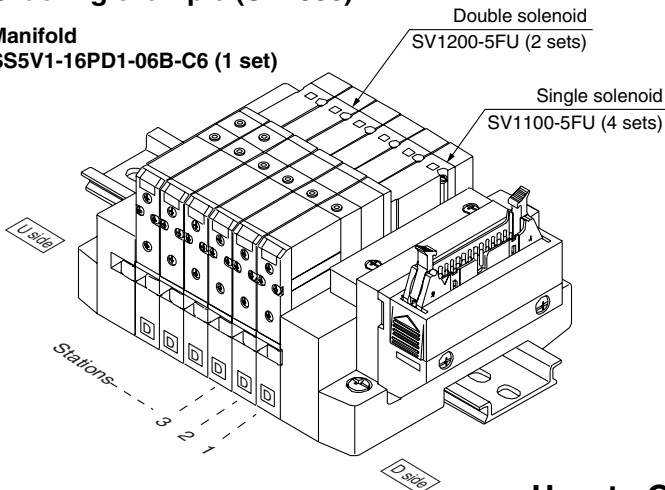
Note 1) Double wiring specifications: Single, double, 3 and 4 position solenoid valves can be used on all manifold stations. Use of a single solenoid will result in an unused control signal. If this is not desired, order with a specified layout.

Note 2) Specified layout: Indicate wiring specifications on a manifold specification sheet. (Note that double, 3 and 4 position valves cannot be used where single solenoid wiring has been specified.)

How to Order Valve Manifold Assembly

Ordering example (SV1000)

Manifold
SS5V1-16PD1-06B-C6 (1 set)



SS5V1-16PD1-06B-C6.....1 set (manifold part no.)
 * SV1100-5FU.....4 sets (Single solenoid part no.)
 * SV1200-5FU.....2 sets (Double solenoid part no.)

How to Order Valve

SV 1 1 0 0 - 5 F

Series

1	SV1000
2	SV2000
3	SV3000
4	SV4000

Type of actuation

1	2 position single
2	2 position double
3	3 position closed center
4	3 position exhaust center
5	3 position pressure center
A	4 position dual 3 port valve: N.C./N.C.
B	4 position dual 3 port valve: N.O./N.O.
C	4 position dual 3 port valve: N.C./N.O.

* 4 position dual 3 port valves are applicable to Series SV1000 and SV2000 only.

Pilot type

Nil	Internal pilot
R	External pilot

* External pilot specifications is not available for 4 position dual 3 port valves.

Rated voltage

5	24 VDC
6	12 VDC

Back pressure check valve

Nil	None
K	Built-in

* Built-in back pressure check valve type is applicable to series SV1000 only.
 * Back pressure check valve is not available for 3 position valve.

Refer to Specific Product Precautions 2 on page 450.

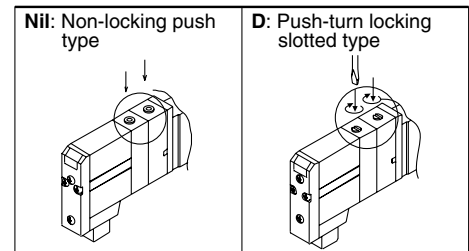


Note) Available with manifold block for station additions. Refer to pages 429 and 433.

Made to Order

Nil	—
X90	Main valve fluoro rubber (Refer to page 448.)

Manual override



Light/Surge voltage suppressor

U	With light/surge voltage suppressor
R	With surge voltage suppressor

A, B port size (Metric)

Symbol	A, B port	P, E port	Applicable series
C3	One-touch fitting for ø3.2	One-touch fitting for ø8	SV1000
C4	One-touch fitting for ø4		
C6	One-touch fitting for ø6		
C4	One-touch fitting for ø4	One-touch fitting for ø10	SV2000
C6	One-touch fitting for ø6		
C8	One-touch fitting for ø8		
C6	One-touch fitting for ø6	One-touch fitting for ø12	SV3000
C8	One-touch fitting for ø8		
C10	One-touch fitting for ø10		
C8	One-touch fitting for ø8	One-touch fitting for ø12	SV4000
C10	One-touch fitting for ø10		
C12	One-touch fitting for ø12		
02	Rc 1/4	Rc 3/8	SV4000
03	Rc 3/8		
02F	G 1/4		
03F	G 3/8	G 3/8	
M	A, B ports mixed		

A, B port size (Inch)

Symbol	A, B port	P, E port	Applicable series
N1	One-touch fitting for ø1/8"	One-touch fitting for ø5/16"	SV1000
N3	One-touch fitting for ø5/32"		
N7	One-touch fitting for ø1/4"		
N3	One-touch fitting for ø5/32"	One-touch fitting for ø3/8"	SV2000
N7	One-touch fitting for ø1/4"		
N9	One-touch fitting for ø5/16"		
N7	One-touch fitting for ø1/4"	One-touch fitting for ø3/8"	SV3000
N9	One-touch fitting for ø5/16"		
N11	One-touch fitting for ø3/8"		
N9	One-touch fitting for ø5/16"	One-touch fitting for ø3/8"	SV4000
N11	One-touch fitting for ø3/8"		
02N	NPT 1/4		
03N	NPT 3/8	NPT 3/8	
02T	NPTF 1/4	NPTF 3/8	
03T	NPTF 3/8		
M	A, B ports mixed		

* In the case of mixed specifications (M), indicate separately on the manifold specification sheet.

* Port sizes of X, PE port for external pilot specification (R, RS) are ø4 (metric), ø5/32" (inch) for SV1000/2000 and ø6 (metric) and ø1/4" (inch) for SV3000/4000.

SJ
SY
SV
SYJ
SZ
VP4
S0700
VQ
VQ4
VQ5
VQC
VQZ
SQ
VFS
VFR
VQ7

Flat Ribbon Cable PC Wiring Series SV



How to Order Manifold

Series

1	SV1000
2	SV2000
3	SV3000
4	SV4000

Series

1	SV1000
2	SV2000

Connector entry direction

1	Upward
2	Lateral

Valve stations

Symbol	Stations	Note
02	2 stations	Double wiring ⁽¹⁾ specifications
⋮	⋮	
08	8 stations	
02	2 stations	Specified layout ⁽²⁾ (up to 16 solenoids possible.)
⋮	⋮	
16	16 stations	

Note1) Double wiring specifications: Single, double, 3 position and 4 position solenoid valves can be used on all manifold stations. Use of a single solenoid will result in an unused control signal. If this is not desired, order with a specified layout.

Note2) Specified layout: Indicate wiring specifications on the manifold specification sheet. (Note that double, 3 position and 4 position valves cannot be used where single solenoid wiring has been specified.)

Mounting

Nil	Direct mounting
D	DIN rail mounting (With DIN rail)
D0 ^{Note}	DIN rail mounting (Without DIN rail)
D3	For 3 stations
⋮	⋮
D16	For 16 stations

Note) In the case of D0, only DIN rail fittings are attached.

DIN rail length specified

Nil	Standard length
3	For 3 stations
⋮	⋮
16	For 16 stations

P, E port location

U	U side (2 to 10 stations)
D	D side (2 to 10 stations)
B	Both sides (2 to 16 stations)

SUP/EXH block assembly specifications

Nil	Internal pilot
S ^{Note}	Internal pilot/Built-in silencer
R	External pilot
RS ^{Note}	External pilot/Built-in silencer

Note) When the built-in silencer type is used, keep the exhaust port from coming in direct contact with water or other liquids.

A, B port size (metric)

Symbol	A, B port	P, E port	Applicable series
C3	One-touch fitting for ø3.2	One-touch fitting for ø8	SV1000
C4	One-touch fitting for ø4		
C6	One-touch fitting for ø6		
C4	One-touch fitting for ø4	One-touch fitting for ø10	SV2000
C6	One-touch fitting for ø6		
C8	One-touch fitting for ø8		
C6	One-touch fitting for ø6	One-touch fitting ø12	SV3000
C8	One-touch fitting for ø8		
C10	One-touch fitting for ø10		
C8	One-touch fitting for ø8	One-touch fitting ø12	SV4000
C10	One-touch fitting for ø10		
C12	One-touch fitting for ø12		
02	Rc 1/4	Rc 3/8	SV4000
03	Rc3/8		
02F	G 1/4		
03F	G 3/8	G 3/8	SV4000
M	A, B ports mixed		

A, B port size (inch)

Symbol	A, B port	P, E port	Applicable series
N1	One-touch fitting for ø1/8"	One-touch fitting for ø5/16"	SV1000
N3	One-touch fitting for ø5/32"		
N7	One-touch fitting for ø1/4"		
N3	One-touch fitting for ø5/32"	One-touch fitting for ø3/8"	SV2000
N7	One-touch fitting for ø1/4"		
N9	One-touch fitting for ø5/16"		
N7	One-touch fitting for ø1/4"	One-touch fitting for ø3/8"	SV3000
N9	One-touch fitting for ø5/16"		
N11	One-touch fitting for ø3/8"		
N9	One-touch fitting for ø5/16"	One-touch fitting for ø3/8"	SV4000
N11	One-touch fitting for ø3/8"		
02N	NPT 1/4		
03N	NPT 3/8	NPT 3/8	SV4000
02T	NPTF 1/4		
03T	NPTF 3/8		
M	A, B ports mixed		

* In the case of mixed specifications (M), indicate separately on the manifold specification sheet.

* Port sizes of X, PE port for external pilot specification (R, RS) are ø4 (metric), ø5/32" (inch) for SV1000/2000 and ø6 (metric) and ø1/4" (inch) for SV3000/4000.

How to Order Valve

SV **1** **1** 00 - **5** F -

● **Series**

1	SV1000
2	SV2000
3	SV3000
4	SV4000

● **Type of actuation**

1	2 position single
2	2 position double
3	3 position closed center
4	3 position exhaust center
5	3 position pressure center
A	4 position dual 3 port valve: N.C./N.C.
B	4 position dual 3 port valve: N.O./N.O.
C	4 position dual 3 port valve: N.C./N.O.

* 4 position dual 3 port valves are applicable to Series SV1000 and SV2000 only.

● **Pilot type**

Nil	Internal pilot
R	External pilot

* External pilot specifications is not available for 4 position dual 3 port valves.

● **Rated voltage**

5	24 VDC
---	--------

● **Back pressure check valve**

Nil	None
K	Built-in

* Built-in back pressure check valve type is applicable to series SV1000 only.

* Back pressure check valve is not available for 3 position valve.

● **Made to Order**

Nil	—
X90	Main valve fluoro rubber (Refer to page 448.)

● **Manual override**

Nil	Non-locking push type
D	Push-turn locking slotted type

● **Light/Surge voltage suppressor**

U	With light/surge voltage suppressor
R	With surge voltage suppressor

SJ

SY

SV

SVJ

SZ

VP4

S0700

VQ

VQ4

VQ5

VQC

VQZ

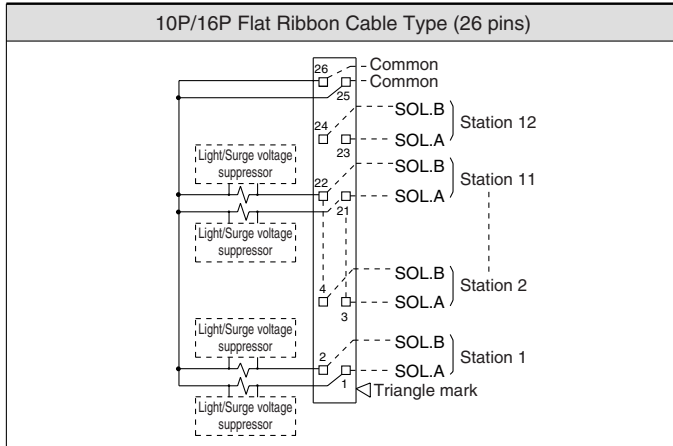
SQ

VFS

VFR

VQ7

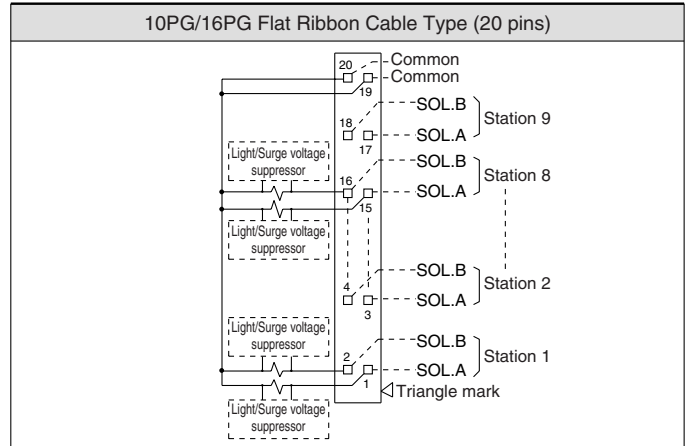
Manifold Electrical Wiring



- This circuit has double wiring specifications for up to 12 stations. Since the usable number of solenoids differs depending on the manifold type, refer to the table below. In the case of single solenoids, connect to SOL. A. Furthermore, when wiring is specified on a manifold specification sheet, connections are made without skipping any connectors, and connections are made without skipping any connectors, and signals A for single and A, B for double are in order 1→2→3→4, etc.
- Stations are counted from D side (connector side) as the 1st one.
- Since terminal numbers are not indicated on the flat cable, use the triangle mark as a reference for wiring.
- Since solenoid valves do not have polarity, either the +COM or –COM can be used.

Usable No. of Solenoids

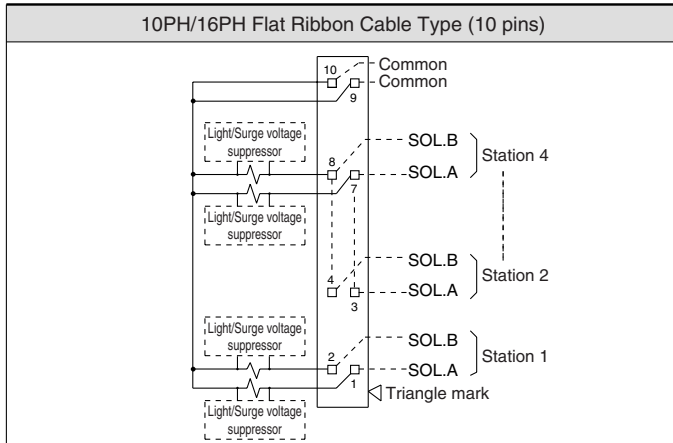
Model		Max. no. of solenoids
Tie-rod base type 10	SV1000 to SV4000	24
Cassette base type 16	SV1000	18
	SV2000	24



- This circuit has double wiring specifications for up to 9 stations. Since the usable number of solenoids differs depending on the manifold type, refer to the table below. In the case of single solenoids, connect to SOL. A. Furthermore, when wiring is specified on a manifold specification sheet, connections are made without skipping any connectors, and connections are made without skipping any connectors, and signals A for single and A, B for double are in order 1→2→3→4, etc.
- Stations are counted from D side (connector side) as the 1st one.
- Since terminal numbers are not indicated on the flat cable, use the triangle mark as a reference for wiring.
- Since solenoid valves do not have polarity, either the +COM or –COM can be used.

Usable No. of Solenoids

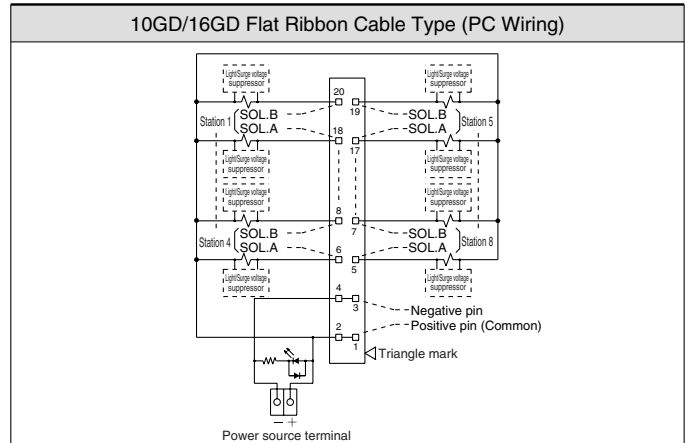
Model		Max. no. of solenoids
Tie-rod base type 10	SV1000 to SV4000	18
Cassette base type 16	SV1000	
	SV2000	



- This circuit has double wiring specifications for up to 4 stations. Since the usable number of solenoids differs depending on the manifold type, refer to the table below. In the case of single solenoids, connect to SOL. A. Furthermore, when wiring is specified on a manifold specification sheet, connections are made without skipping any connectors, connections are made without skipping any connectors, and signals A for single and A, B for double are in order 1→2→3→4, etc.
- Stations are counted from D side (connector side) as the 1st one.
- Since terminal numbers are not indicated on the flat cable, use the triangle mark as a reference for wiring.
- Since solenoid valves do not have polarity, either the +COM or –COM can be used.

Usable No. of Solenoids

Model		Max. no. of solenoids
Tie-rod base type 10	SV1000 to SV4000	8
Cassette base type 16	SV1000	
	SV2000	



- This circuit has double wiring specifications for up to 8 stations. Since the usable number of solenoids differs depending on the manifold type, refer to the table below. In the case of single solenoids, connect to SOL. A. Furthermore, when wiring is specified on a manifold specification sheet, connections are made without skipping any connectors, and signals A for single and A, B for double are in order 20→18→16→14, etc.
- Stations are counted from D side (connector side) as the 1st one.
- Since terminal numbers are not indicated on the flat cable, use the triangle mark as a reference for wiring.
- Since solenoid valves do not have polarity, either the +COM or –COM can be used.

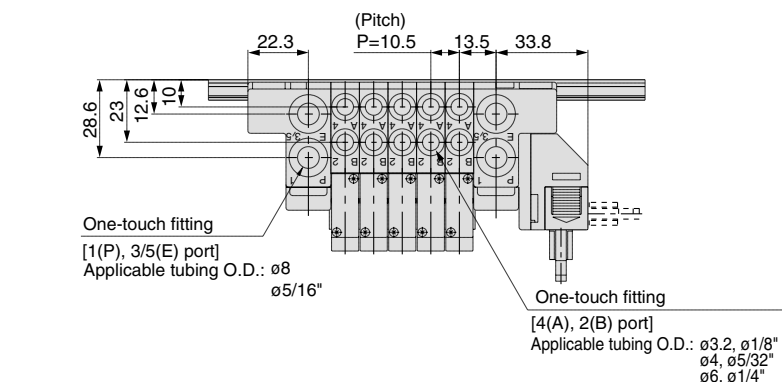
Usable No. of Solenoids

Model		Max. no. of solenoids
Tie-rod base type 10	SV1000 to SV4000	16
Cassette base type 16	SV1000	
	SV2000	

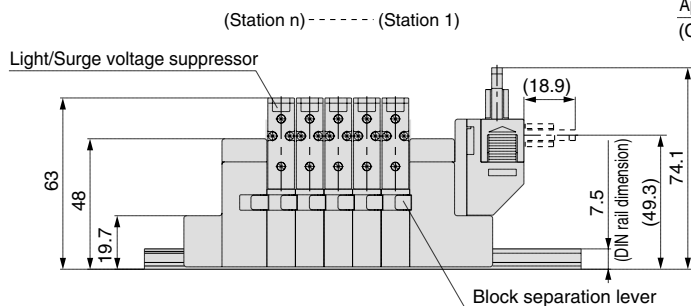
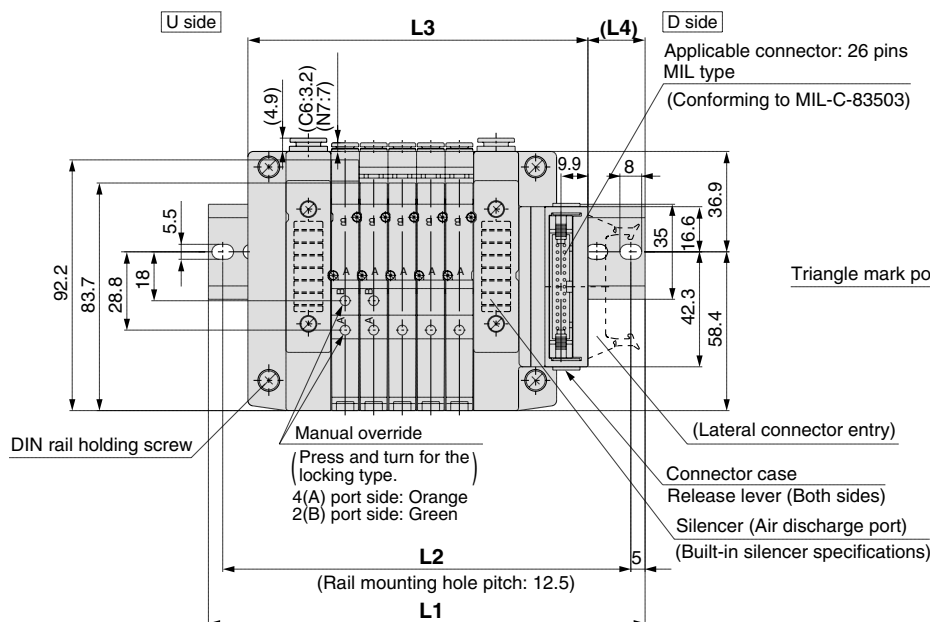
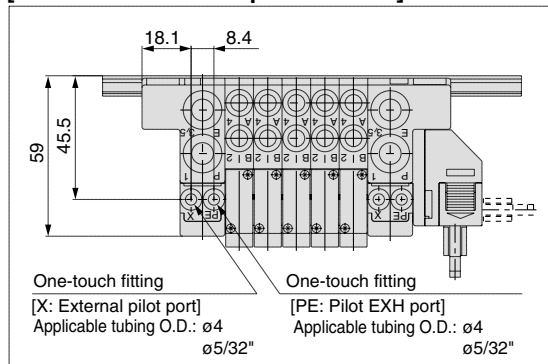
Dimensions : Series SV1000 for Flat Ribbon Cable

● Cassette base manifold : SS5V1-16^P_{PH}D₁-Stations^U_B(S, R, RS)-^{C3, N1}_{C4, N3}^{C6, N7}

- When P, E port outlets are indicated on the U side or D side, the P, E ports on the opposite side are plugged.
- External pilot port positions and silencer discharge port positions are the same as P, E port outlet positions.

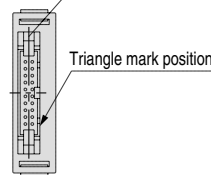


[With External Pilot Specifications]

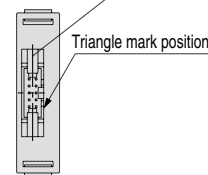


Applicable connector: 20 pins MIL type (Conforming to MIL-C-83503)

Applicable connector: 10 pins MIL type (Conforming to MIL-C-83503)



16PG (20 pins)



16PH (10 pins)



Refer to page 401 (compliant for D-sub connector) for dimensions with interface regulator and individual SUP/EXH spacer.

L Dimension

L ⁿ	2	3	4	5	6	7	8	9	10	11	12	13	14	15	16	17	18
L1	135.5	135.5	148	160.5	173	185.5	198	198	210.5	223	235.5	248	260.5	260.5	273	285.5	298
L2	125	125	137.5	150	162.5	175	187.5	187.5	200	212.5	225	237.5	250	250	262.5	275	287.5
L3	93.5	104	114.5	125	135.5	146	156.5	167	177.5	188	198.5	209	219.5	230	240.5	251	261.5
L4	24.5	19	20	21	22	23	24	19	20	21	22	23	24	18.5	19.5	20.5	21.5

n : Stations

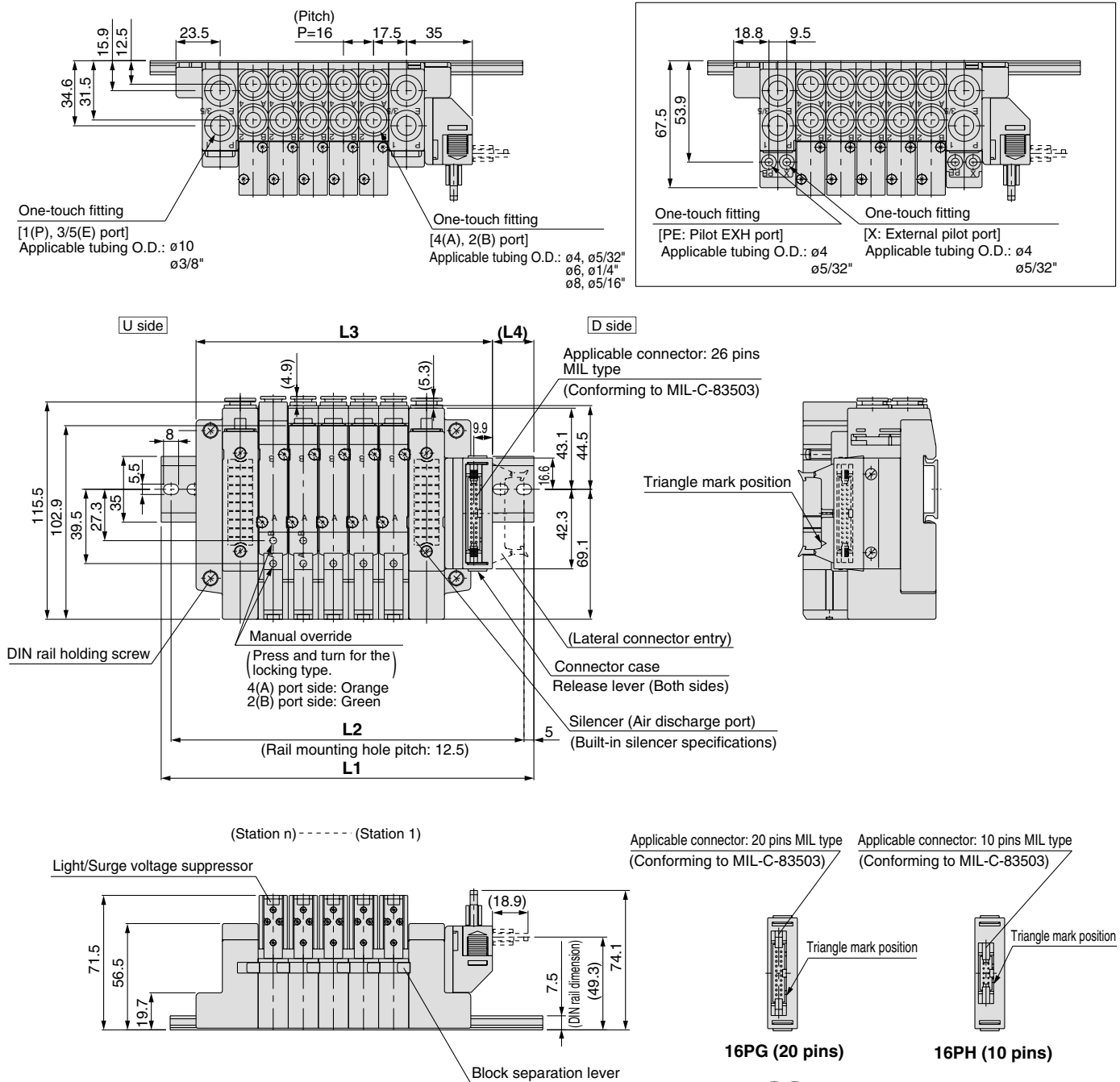
- SJ
- SY
- SV**
- SYJ
- SZ
- VP4
- S0700
- VQ
- VQ4
- VQ5
- VQC
- VQZ
- SQ
- VFS
- VFR
- VQ7

Series SV

Dimensions : Series SV2000 for Flat Ribbon Cable

● Cassette base manifold : SS5V2-16^P_{PG}D₂ - Stations^U_B(S, R, RS)-^{C4, N3}_{C6, N7}^{C8, N9}

- When P, E port outlets are indicated on the U side or D side, the P, E ports on the opposite side are plugged.
- External pilot port positions and silencer discharge port positions are the same as P, E port outlet positions.



Refer to page 402 (compliant for D-sub connector) for dimensions with interface regulator and individual SUP/EXH spacer.

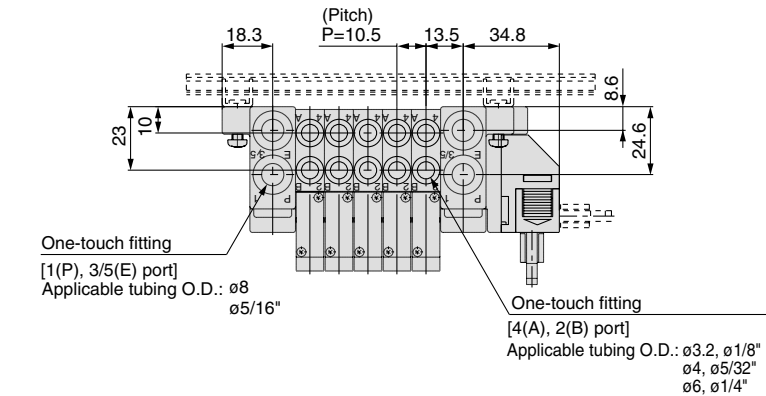
L Dimension

L \ n	2	3	4	5	6	7	8	9	10	11	12	13	14	15	16	17	18	19	20
L1	148	160.5	173	198	210.5	223	235.5	260.5	273	285.5	310.5	323	335.5	348	373	385.5	398	423	435.5
L2	137.5	150	162.5	187.5	200	212.5	225	250	262.5	275	300	312.5	325	337.5	362.5	375	387.5	412.5	425
L3	109.5	125.5	141.5	157.5	173.5	189.5	205.5	221.5	237.5	253.5	269.5	285.5	301.5	317.5	333.5	349.5	365.5	381.5	397.5
L4	22.5	21	19	23.5	22	20	18.5	23	21	19.5	24	22	20.5	18.5	23	21.5	19.5	24	22.5

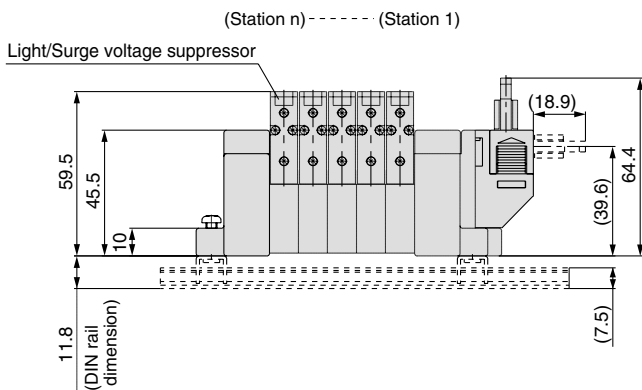
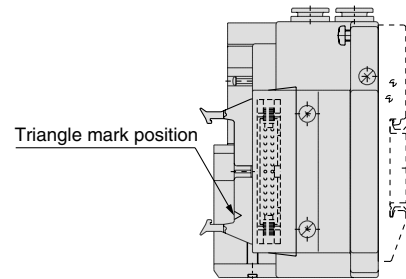
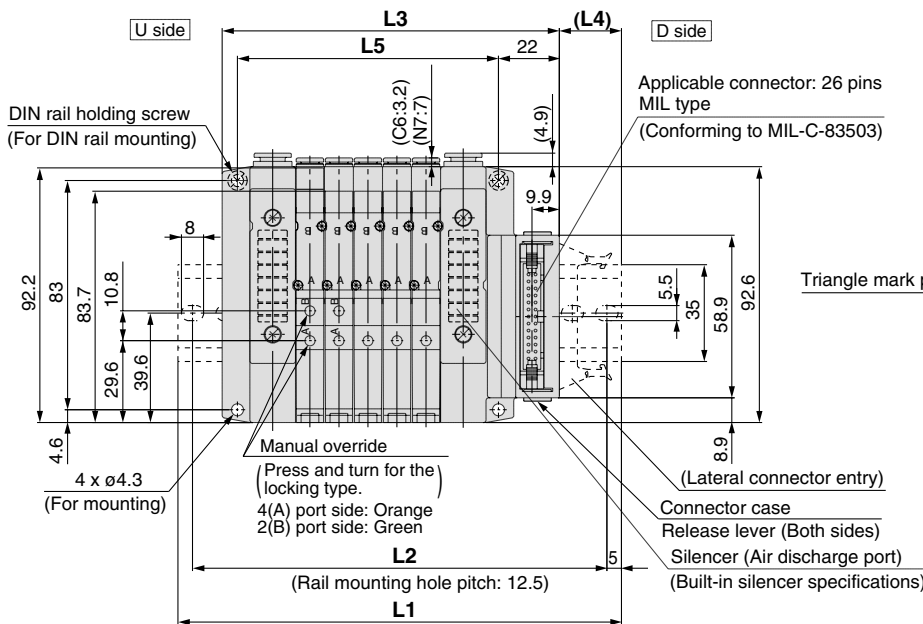
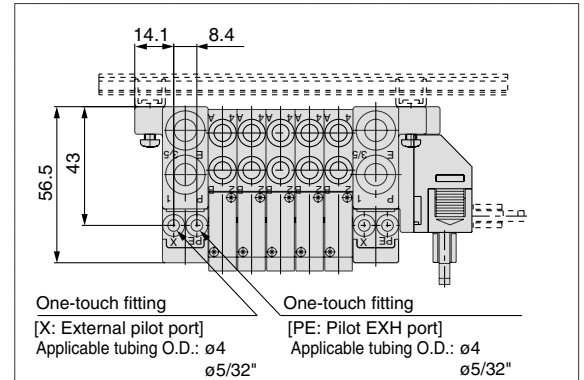
Dimensions : Series SV1000 for Flat Ribbon Cable

● Tie-rod base manifold : SS5V1-10^P_{PG}D₂^U-Stations^D_B(S, R, RS)-^{C3, N1}_{C4, N3}(-D)^{C6, N7}

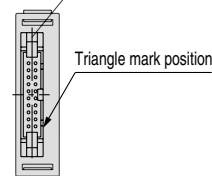
- When P, E port outlets are indicated on the U side or D side, the P, E ports on the opposite side are plugged.
- External pilot port positions and silencer discharge port positions are the same as P, E port outlet positions.



[With External Pilot Specifications]



Applicable connector: 20 pins MIL type (Conforming to MIL-C-83503)

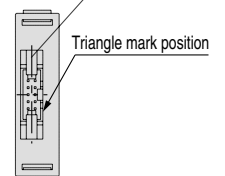


10PG (20 pins)



Refer to page 403 (compliant for D-sub connector) for dimensions with interface regulator and individual SUP/EXH spacer.

Applicable connector: 10 pins MIL type (Conforming to MIL-C-83503)



10PH (10 pins)

L Dimension

L	n	2	3	4	5	6	7	8	9	10	11	12	13	14	15	16	17	18	19	20
L1	123	135.5	148	160.5	173	173	185.5	198	210.5	223	235.5	248	248	260.5	273	285.5	298	310.5	310.5	
L2	112.5	125	137.5	150	162.5	162.5	175	187.5	200	212.5	225	237.5	237.5	250	262.5	275	287.5	300	300	
L3	90.5	101	111.5	122	132.5	143	153.5	164	174.5	185	195.5	206	216.5	227	237.5	248	258.5	269	279.5	
L4	19.5	20.5	21.5	22.5	23.5	18.5	19.5	20.5	21.5	22.5	23.5	24.5	19	20	21	22	23	24	19	
L5	63	73.5	84	94.5	105	115.5	126	136.5	147	157.5	168	178.5	189	199.5	210	220.5	231	241.5	252	

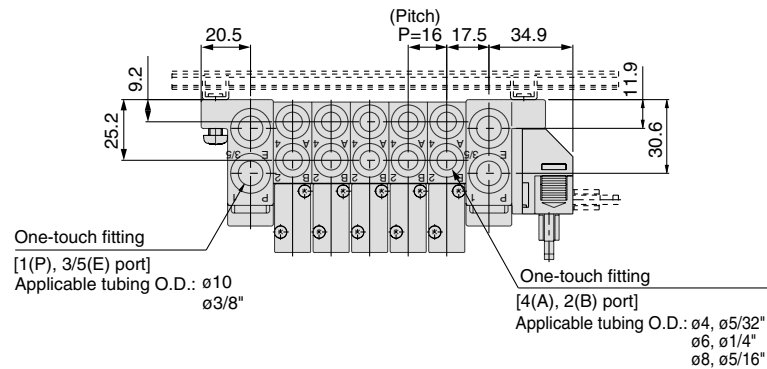
n : Stations

Series SV

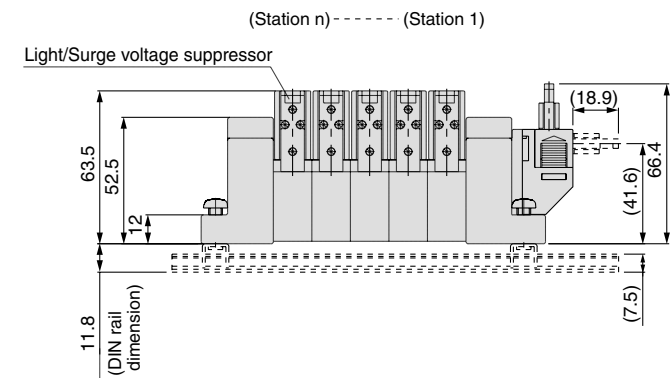
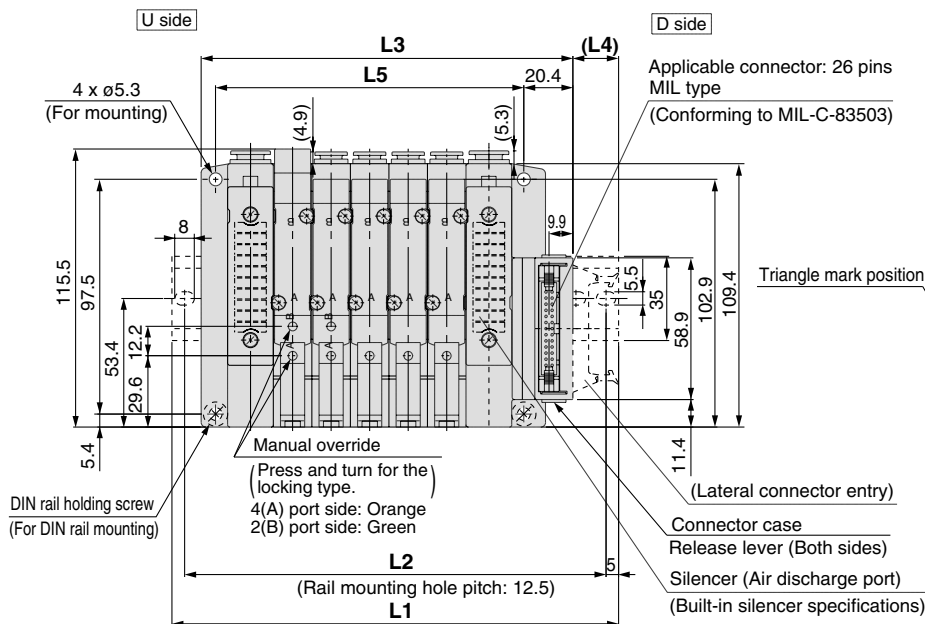
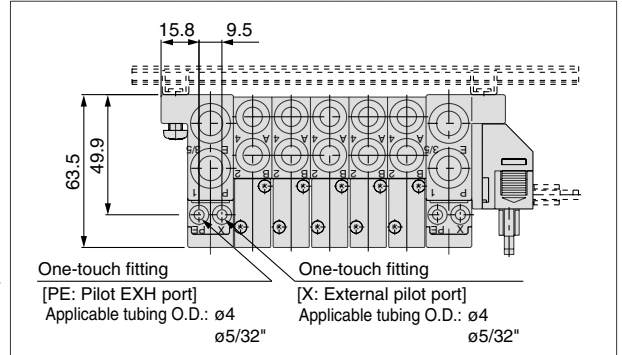
Dimensions : Series SV2000 for Flat Ribbon Cable

● Tie-rod base manifold : SS5V2-10^P_{PG} D₂¹ - Stations^U_B (S, R, RS) - C₄, N₃ C₆, N₇ C₈, N₉ (-D)

- When P, E port outlets are indicated on the U side or D side, the P, E ports on the opposite side are plugged.
- External pilot port positions and silencer discharge port positions are the same as P, E port outlet positions.



[With External Pilot Specifications]



Applicable connector: 20 pins MIL type (Conforming to MIL-C-83503)

Applicable connector: 10 pins MIL type (Conforming to MIL-C-83503)



10PG (20 pins)



10PH (10 pins)



Refer to page 404 (compliant for D-sub connector) for dimensions with interface regulator and individual SUP/EXH spacer.

L Dimension

L \ n	2	3	4	5	6	7	8	9	10	11	12	13	14	15	16	17	18	19	20
L1	148	160.5	173	185.5	210.5	223	235.5	248	273	285.5	298	323	335.5	348	360.5	385.5	398	410.5	435.5
L2	137.5	150	162.5	175	200	212.5	225	237.5	262.5	275	287.5	312.5	325	337.5	350	375	387.5	400	425
L3	106.4	122.4	138.4	154.4	170.4	186.4	202.4	218.4	234.4	250.4	266.4	282.4	298.4	314.4	330.4	346.4	362.4	378.4	394.4
L4	24	22.5	20.5	19	23.5	21.5	20	18	22.5	21	19	23.5	22	20	18.5	23	21	19.5	24
L5	80	96	112	128	144	160	176	192	208	224	240	256	272	288	304	320	336	352	368

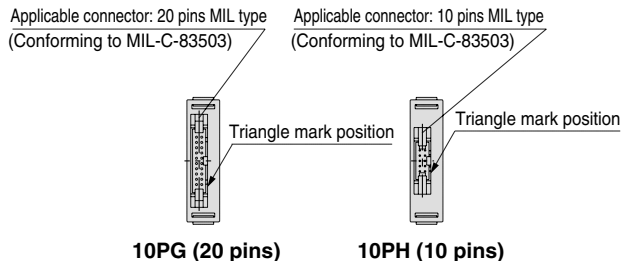
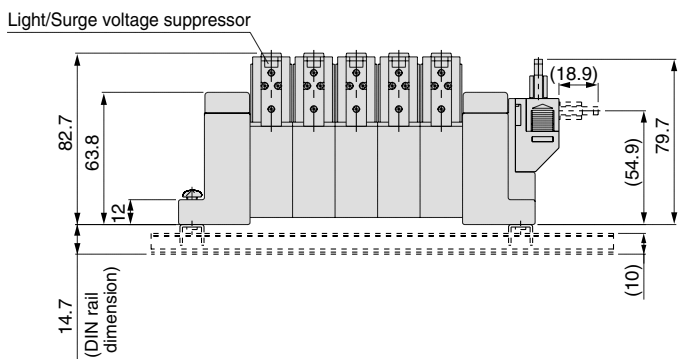
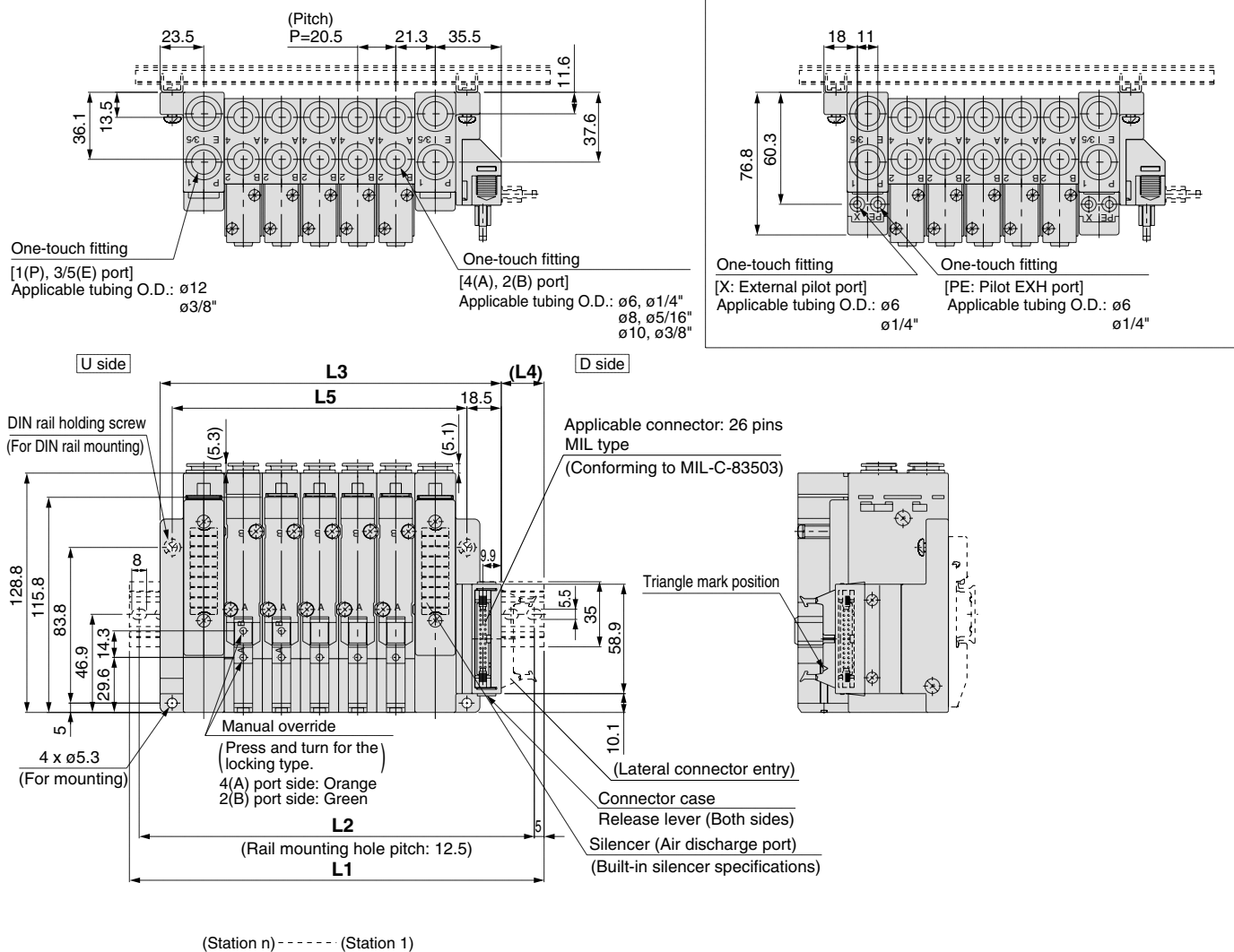
n : Stations

Dimensions : Series SV3000 for Flat Ribbon Cable

● Tie-rod base manifold : SS5V3-10^P_{PH}D₂-Stations^U_D(S, R, RS)-^{C6, N7}_{C8, N9}(-D)

- When P, E port outlets are indicated on the U side or D side, the P, E ports on the opposite side are plugged.
- External pilot port positions and silencer discharge port positions are the same as P, E port outlet positions.

[With External Pilot Specifications]



Refer to page 405 (compliant for D-sub connector) for dimensions with interface regulator and individual SUP/EXH spacer.

L Dimension

L	n	2	3	4	5	6	7	8	9	10	11	12	13	14	15	16	17	18	19	20
L1	160.5	173	198	223	235.5	260.5	285.5	298	323	348	360.5	385.5	398	423	448	460.5	485.5	510.5	523	
L2	150	162.5	187.5	212.5	225	250	275	287.5	312.5	337.5	350	375	387.5	412.5	437.5	450	475	500	512.5	
L3	122	142.5	163	183.5	204	224.5	245	265.5	286	306.5	327	347.5	368	388.5	409	429.5	450	470.5	491	
L4	22.5	18.5	21	23	19	21.5	23.5	19.5	22	24	20	22.5	18.5	20.5	23	19	21	23.5	19.5	
L5	97	117.5	138	158.5	179	199.5	220	240.5	261	281.5	302	322.5	343	363.5	384	404.5	425	445.5	466	

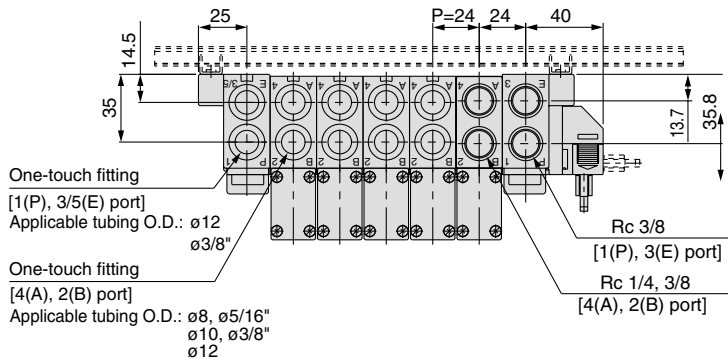
n : Stations

Series SV

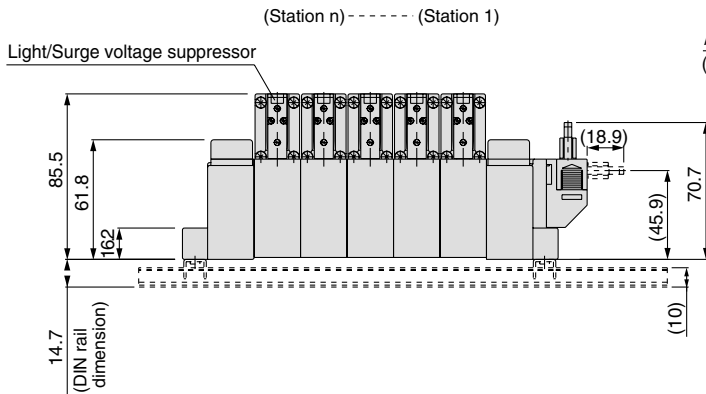
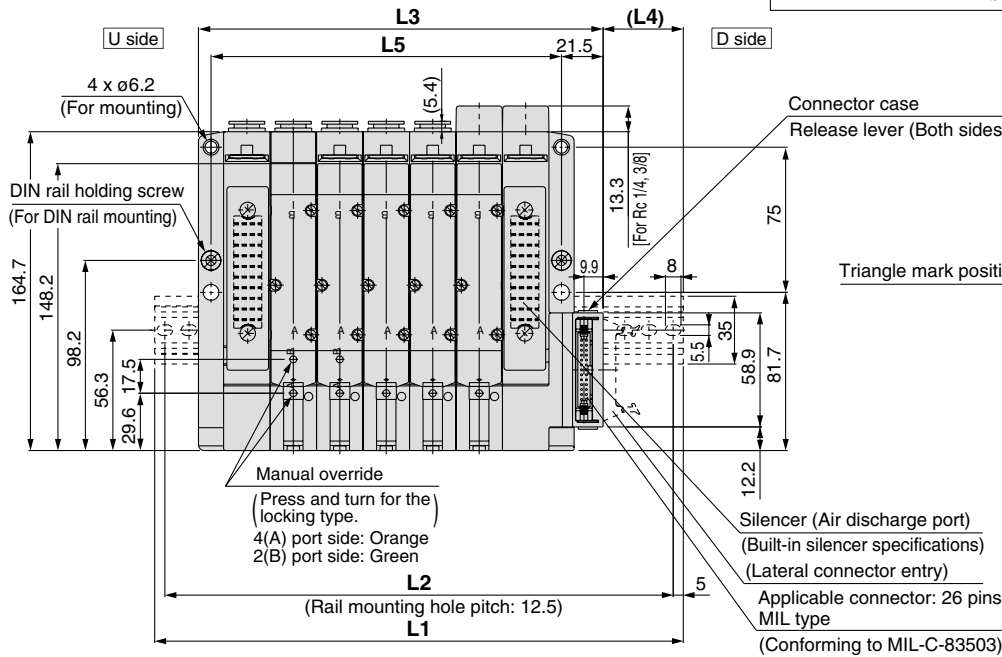
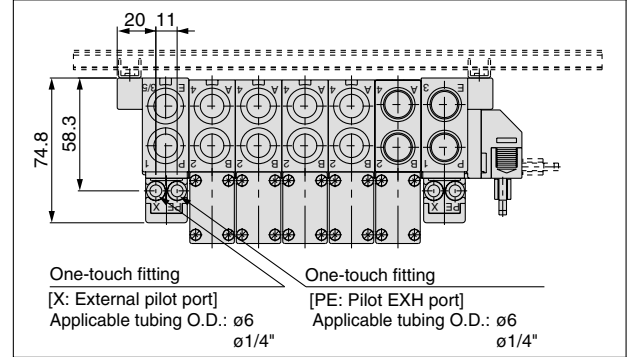
Dimensions : Series SV4000 for Flat Ribbon Cable

● Tie-rod base manifold : SS5V4-10^{PG}_{PH} D₂¹ - Stations^U_B (S, R, RS)^{02, C8, N9, C10, N11} (-D)

- When P, E port outlets are indicated on the U side or D side, the P, E ports on the opposite side are plugged.
- External pilot port positions and silencer discharge port positions are the same as P, E port outlet positions.

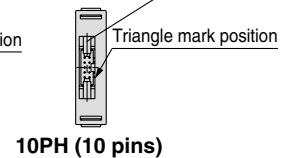
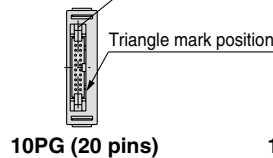


[With External Pilot Specifications]



Applicable connector: 20 pins MIL type (Conforming to MIL-C-83503)

Applicable connector: 10 pins MIL type (Conforming to MIL-C-83503)



Refer to page 406 (compliant for D-sub connector) for dimensions with interface regulator and individual SUP/EXH spacer.

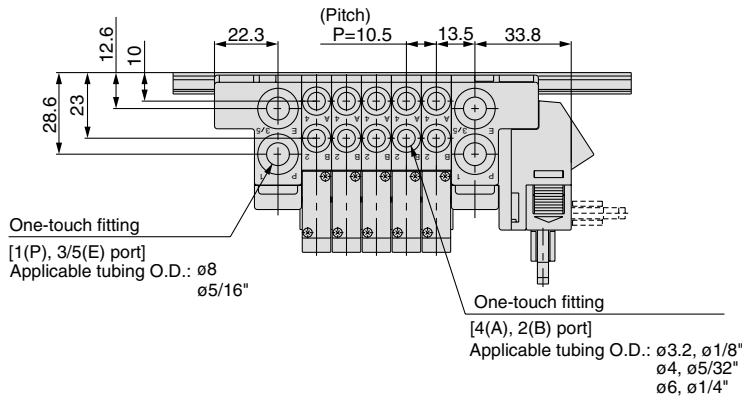
L Dimension

		n : Stations																		
L \ n	2	3	4	5	6	7	8	9	10	11	12	13	14	15	16	17	18	19	20	
L1	185.5	210.5	235.5	260.5	285.5	310.5	335.5	348	373	398	423	448	473	498	523	548	573	598	623	
L2	175	200	225	250	275	300	325	337.5	362.5	387.5	412.5	437.5	462.5	487.5	512.5	537.5	562.5	587.5	612.5	
L3	137	161	185	209	233	257	281	305	329	353	377	401	425	449	473	497	521	545	569	
L4	31.5	31.5	31.5	31.5	31.5	31.5	31.5	31.5	31.5	31.5	31.5	31.5	31.5	31.5	31.5	31.5	31.5	31.5	31.5	
L5	109	133	157	181	205	229	253	277	301	325	349	373	397	421	445	469	493	517	541	

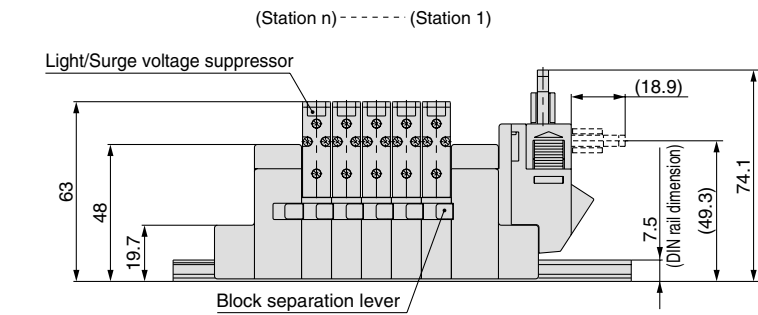
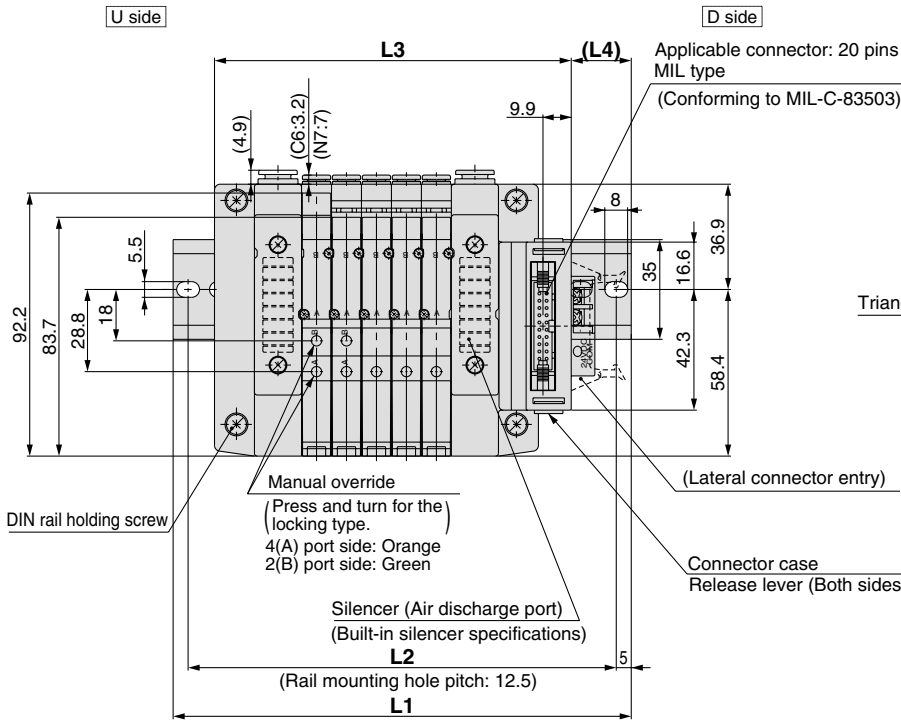
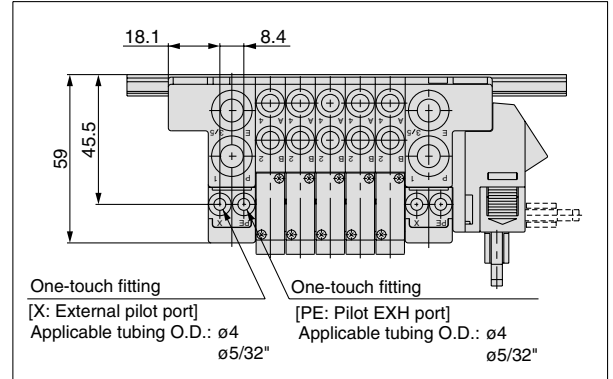
Dimensions : Series SV1000 for PC Wiring

● Cassette base manifold : SS5V1-16GD₂-Stations_U^D(S, R, RS)-C₃, N₁ C₄, N₃ C₆, N₇

- When P, E port outlets are indicated on the U side or D side, the P, E ports on the opposite side are plugged.
- External pilot port positions and silencer discharge port positions are the same as P, E port outlet positions.



[With External Pilot Specifications]



Refer to page 401 (compliant for D-sub connector) for dimensions with interface regulator and individual SUP/EXH spacer.

L Dimension

L	n	2	3	4	5	6	7	8	9	10	11	12	13	14	15	16
L1	n	135.5	135.5	148	160.5	173	185.5	198	198	210.5	223	235.5	248	260.5	260.5	273
L2	n	125	125	137.5	150	162.5	175	187.5	187.5	200	212.5	225	237.5	250	250	262.5
L3	n	93.5	104	114.5	125	135.5	146	156.5	167	177.5	188	198.5	209	219.5	230	240.5
L4	n	24.5	19	20	21	22	23	24	19	20	21	22	23	24	18.5	19.5

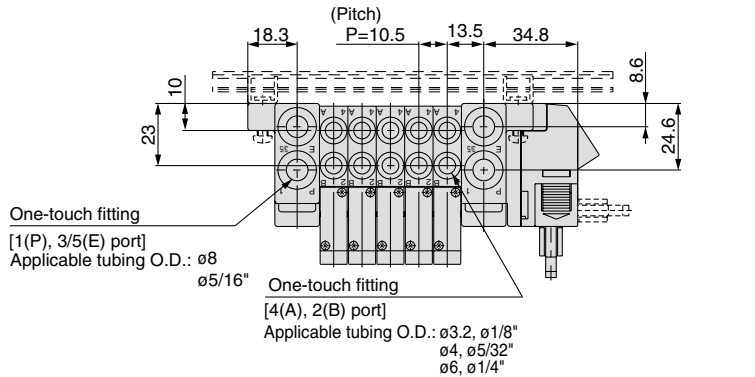
- SJ
- SY
- SV**
- SYJ
- SZ
- VP4
- S0700
- VQ
- VQ4
- VQ5
- VQC
- VQZ
- SQ
- VFS
- VFR
- VQ7

Series SV

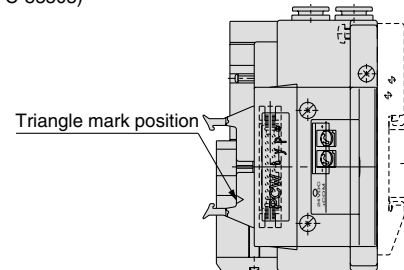
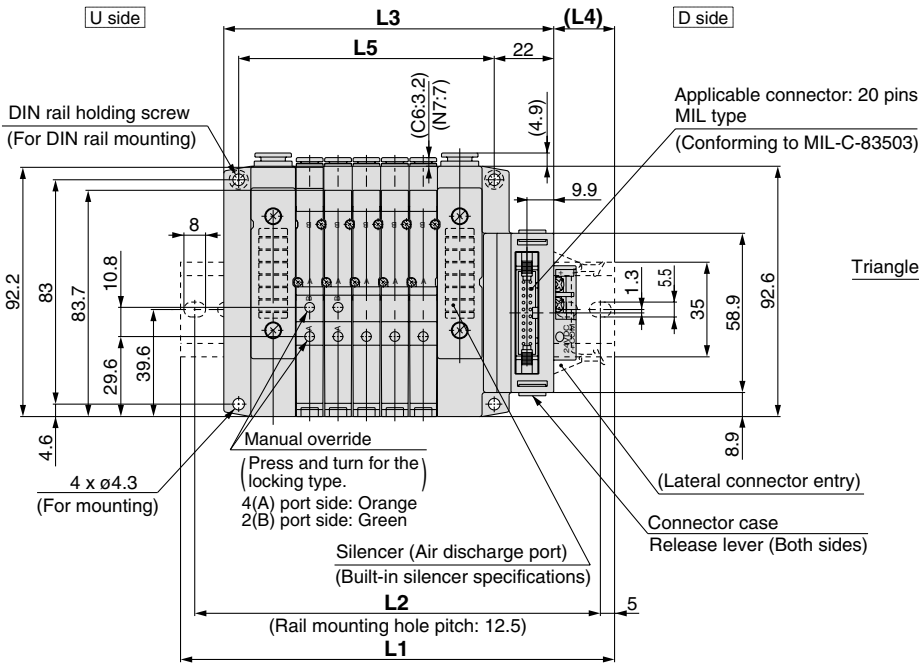
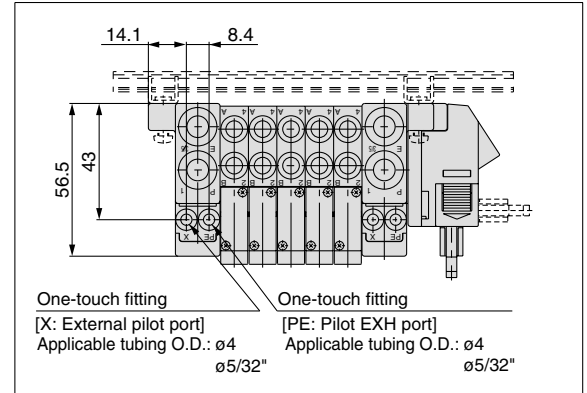
Dimensions : Series SV1000 for PC Wiring

● Tie-rod base manifold : SS5V1-10GD₂ - Stations $\frac{U}{D}$ (S, R, RS) - $\frac{C3, N1}{C4, N3, C6, N7}$ (-D)

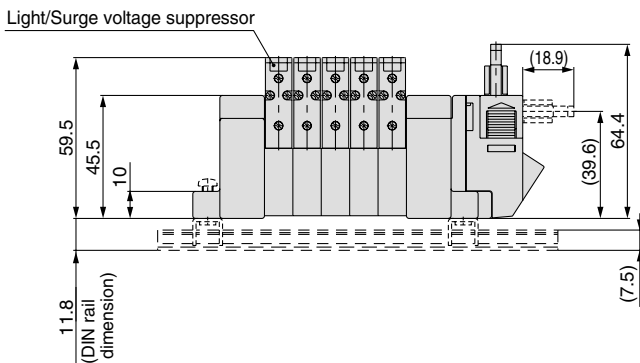
- When P, E port outlets are indicated on the U side or D side, the P, E ports on the opposite side are plugged.
- External pilot port positions and silencer discharge port positions are the same as P, E port outlet positions.



[With External Pilot Specifications]



(Station n) ----- (Station 1)



Refer to page 403 (compliant for D-sub connector) for dimensions with interface regulator and individual SUP/EXH spacer.

L Dimension

n : Stations

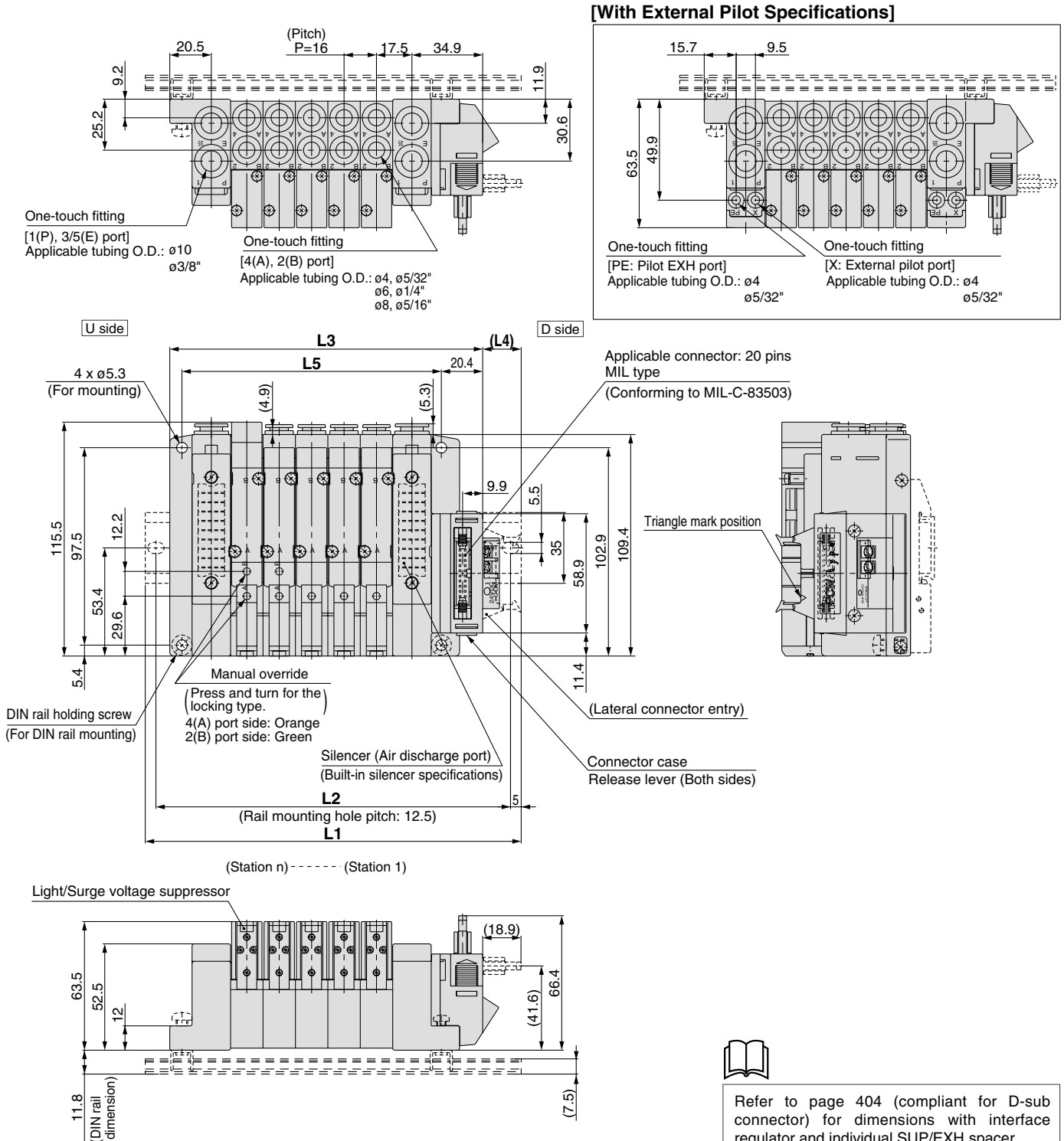
L \ n	2	3	4	5	6	7	8	9	10	11	12	13	14	15	16
L1	123	135.5	148	160.5	173	173	185.5	198	210.5	223	235.5	248	248	260.5	273
L2	112.5	125	137.5	150	162.5	162.5	175	187.5	200	212.5	225	237.5	237.5	250	262.5
L3	90.5	101	111.5	122	132.5	143	153.5	164	174.5	185	195.5	206	216.5	227	237.5
L4	19.5	20.5	21.5	22.5	23.5	18.5	19.5	20.5	21.5	22.5	23.5	24.5	19	20	21
L5	63	73.5	84	94.5	105	115.5	126	136.5	147	157.5	168	178.5	189	199.5	210

Series SV

Dimensions : Series SV2000 for PC Wiring

● Tie-rod base manifold : SS5V2-10GD₁ - Stations $\frac{U}{D}$ (S, R, RS) - $\frac{C4, N3}{C6, N7}$ (C4, N3) (-D)

- When P, E port outlets are indicated on the U side or D side, the P, E ports on the opposite side are plugged.
- External pilot port positions and silencer discharge port positions are the same as P, E port outlet positions.



L Dimension

n : Stations

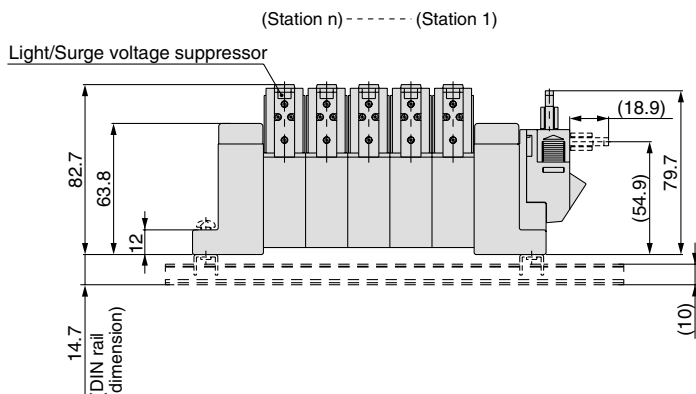
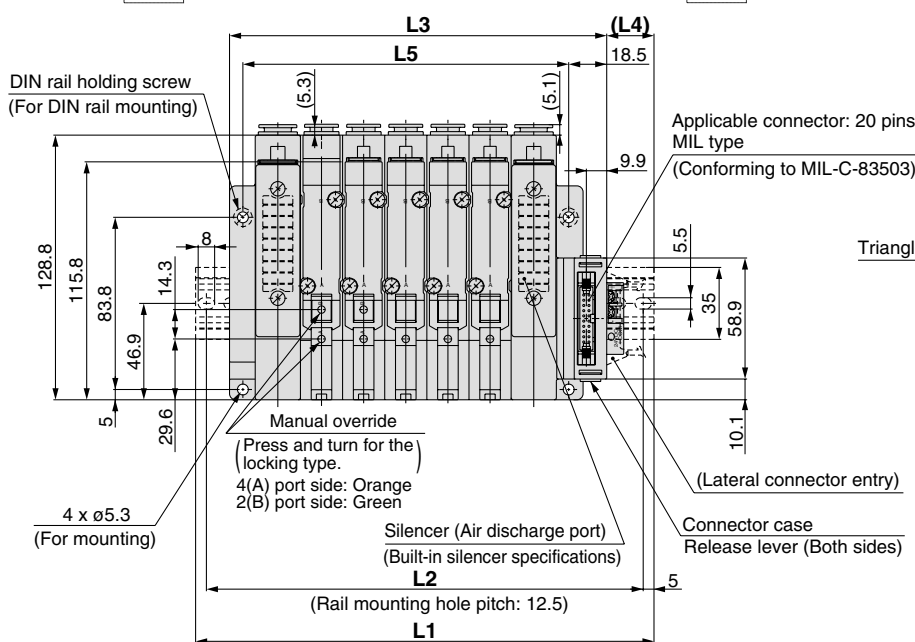
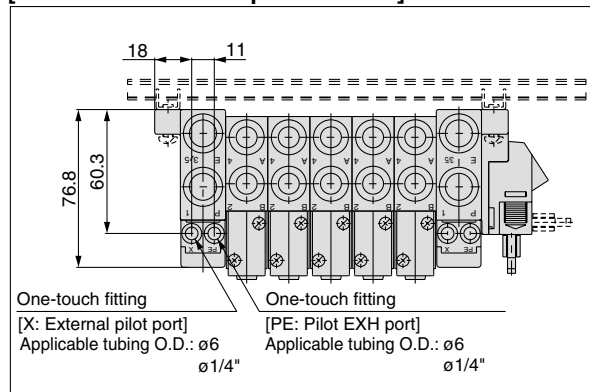
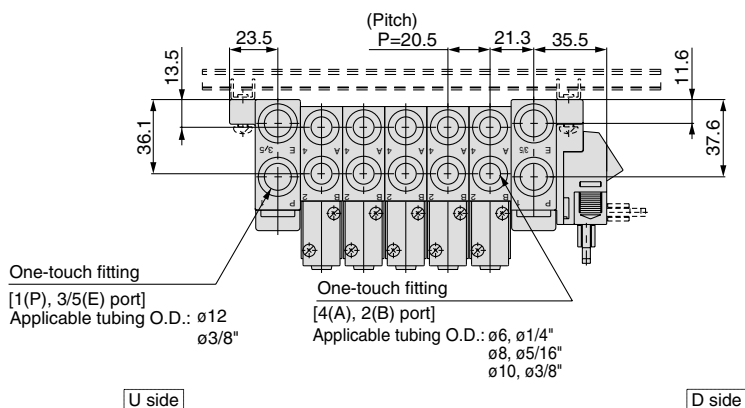
L \ n	2	3	4	5	6	7	8	9	10	11	12	13	14	15	16
L1	148	160.5	173	185.5	210.5	223	235.5	248	273	285.5	298	323	335.5	348	360.5
L2	137.5	150	162.5	175	200	212.5	225	237.5	262.5	275	287.5	312.5	325	337.5	350
L3	106.4	122.4	138.4	154.4	170.4	186.4	202.4	218.4	234.4	250.4	266.4	282.4	298.4	314.4	330.4
L4	24.5	22.5	20.5	19	23.5	21.5	20	18.5	22.5	21	19.5	23.5	22	20.5	18.5
L5	80	96	112	128	144	160	176	192	208	224	240	256	272	288	304

Dimensions : Series SV3000 for PC Wiring

● Tie-rod base manifold : SS5V3-10GD₂ = Stations $\frac{U}{D}$ (S, R, RS) $\frac{C6, N7}{C8, N9}$ (-D) $\frac{C10, N11}{C10, N11}$

- When P, E port outlets are indicated on the U side or D side, the P, E ports on the opposite side are plugged.
- External pilot port positions and silencer discharge port positions are the same as P, E port outlet positions.

[With External Pilot Specifications]



Refer to page 405 (compliant for D-sub connector) for dimensions with interface regulator and individual SUP/EXH spacer.

L Dimension

n : Stations

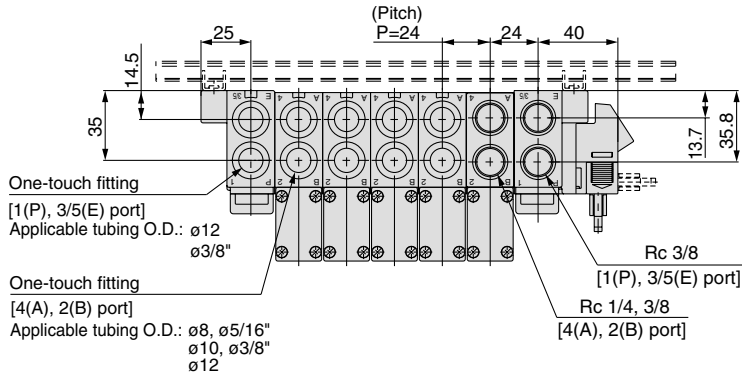
L \ n	2	3	4	5	6	7	8	9	10	11	12	13	14	15	16
L1	160.5	173	198	223	235.5	260.5	285.5	298	323	348	360.5	385.5	398	423	448
L2	150	162.5	187.5	212.5	225	250	275	287.5	312.5	337.5	350	375	387.5	412.5	437.5
L3	122	142.5	163	183.5	204	224.5	245	265.5	286	306.5	327	347.5	368	388.5	409
L4	22.5	18.5	21	23	19	21.5	23.5	19.5	22	24	20	22.5	18.5	20.5	23
L5	97	117.5	138	158.5	179	199.5	220	240.5	261	281.5	302	322.5	343	363.5	384

Series SV

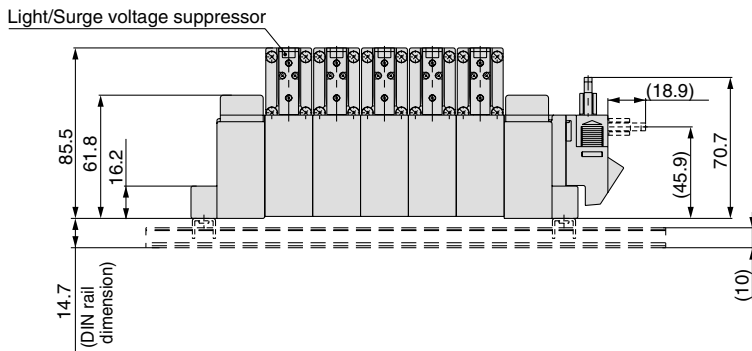
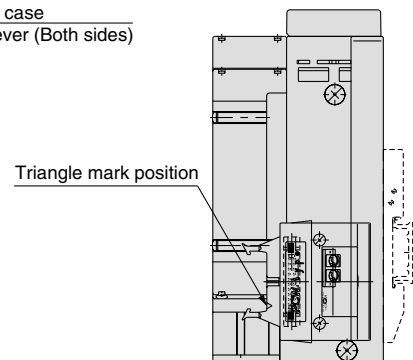
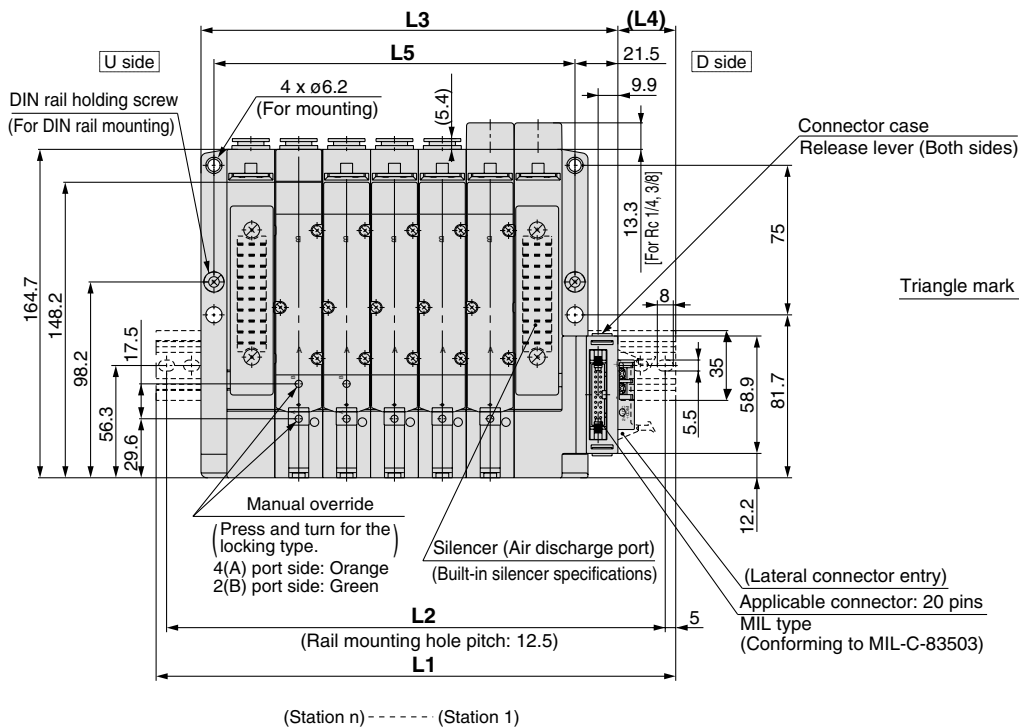
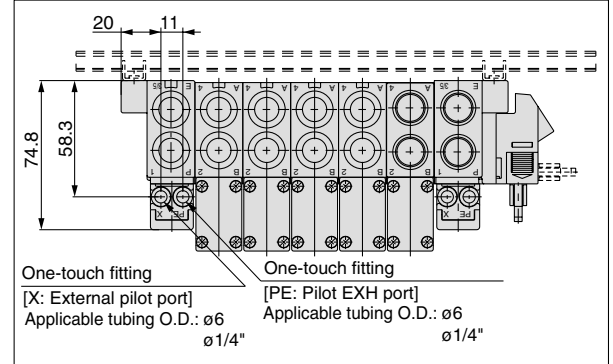
Dimensions : Series SV4000 for PC Wiring

● Tie-rod base manifold : SS5V4-10GD¹₂ = Stations^U_D (S, R, RS)^{02, C8, N9, C10, N11}_{03, C12} (-D)

- When P, E port outlets are indicated on the U side or D side, the P, E ports on the opposite side are plugged.
- External pilot port positions and silencer discharge port positions are the same as P, E port outlet positions.



[With External Pilot Specifications]



Refer to page 406 (compliant for D-sub connector) for dimensions with interface regulator and individual SUP/EXH spacer.

L Dimension

n : Stations

	2	3	4	5	6	7	8	9	10	11	12	13	14	15	16
L1	185.5	210.5	235.5	260.5	285.5	310.5	335.5	348	373	398	423	448	473	498	523
L2	175	200	225	250	275	300	325	337.5	362.5	387.5	412.5	437.5	462.5	487.5	512.5
L3	137	161	185	209	233	257	281	305	329	353	377	401	425	449	473
L4	31.5	31.5	31.5	31.5	31.5	31.5	31.5	31.5	31.5	31.5	31.5	31.5	31.5	31.5	31.5
L5	109	133	157	181	205	229	253	277	301	325	349	373	397	421	445

Series SV

Type 16: Cassette Base Manifold Exploded View

Caution

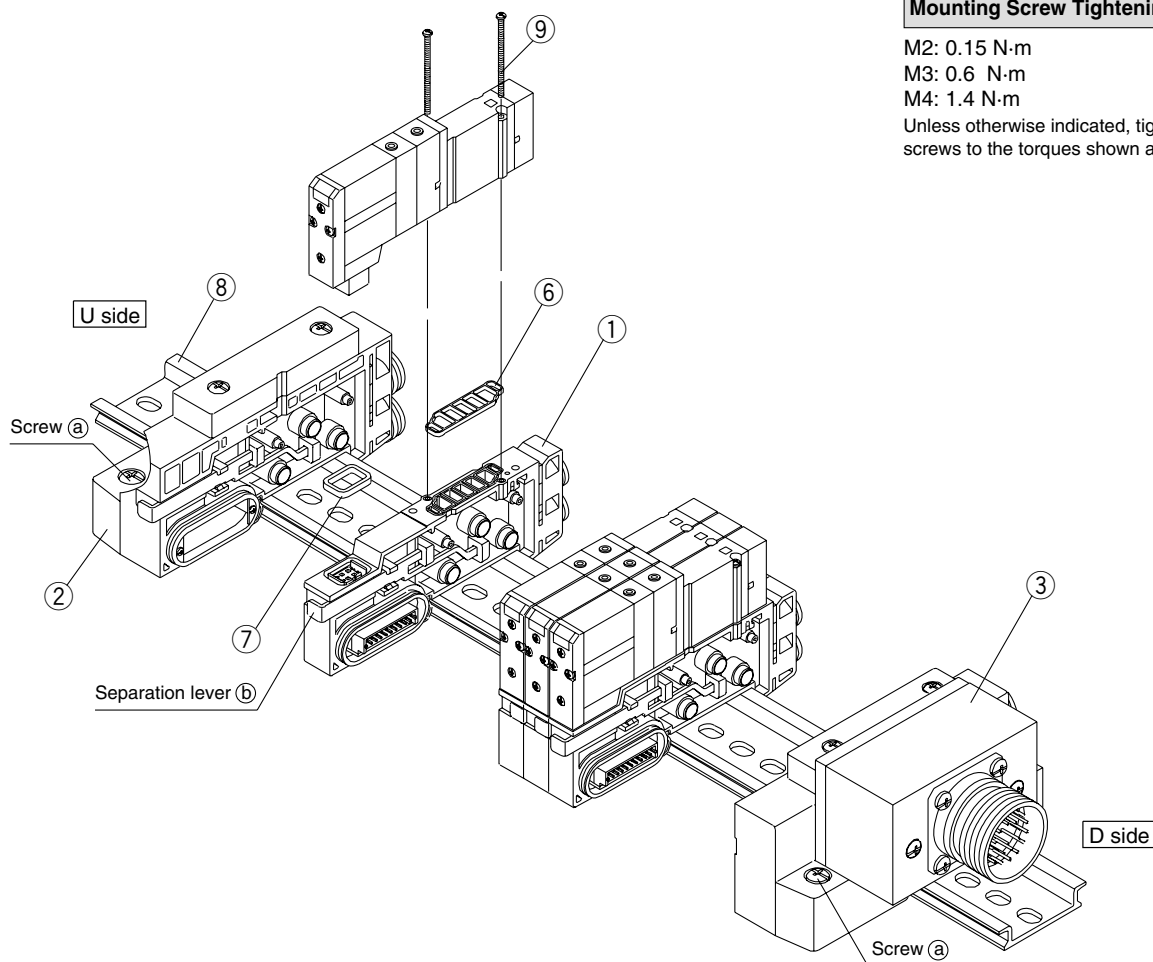
Mounting Screw Tightening Torques

M2: 0.15 N·m

M3: 0.6 N·m

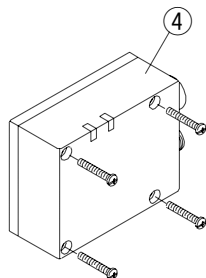
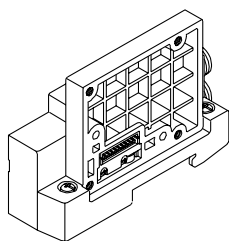
M4: 1.4 N·m

Unless otherwise indicated, tighten mounting screws to the torques shown above.

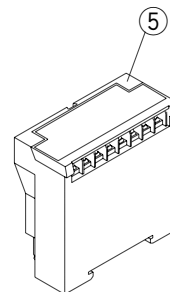
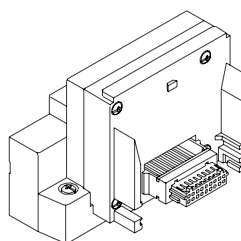


③ SUP/EXH block assembly

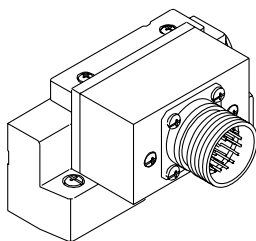
EX500 (Type 16SA2W)



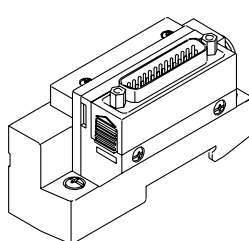
EX120 (Type 16S3□)



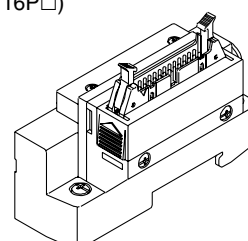
Circular connector (Type 16C)



D-sub connector (Type 16F□)



For Flat ribbon cable connector (Type 16P□)



① Manifold Block Assembly Part No.

Series	Wiring specifications	Manifold block assembly part no.	Note
SV1000	Single	SV1000-50-3A-□□	C3: With One-touch fitting for ø3.2 N1: One-touch fitting for ø1/8" C4: With One-touch fitting for ø4 N3: One-touch fitting for ø5/32" C6: With One-touch fitting for ø6 N7: One-touch fitting for ø1/4" (Gaskets ⑥ and ⑦ are included.)
	Double	SV1000-50-4A-□□	
SV2000	Single	SV2000-50-3A-□□	C4: With One-touch fitting for ø4 N3: One-touch fitting for ø5/32" C6: With One-touch fitting for ø6 N7: One-touch fitting for ø1/4" C8: With One-touch fitting for ø8 N9: One-touch fitting for ø5/16" (Gaskets ⑥ and ⑦ are included.)
	Double	SV2000-50-4A-□□	

② Supply/Exhaust end block assembly

SV □ 000 - 52U - 2 A □ - □

③ SUP/EXH block assembly

SV □ 000 - 51D □ - □ A □ - □

Series	
1	SV1000
2	SV2000

Connector entry direction
(D-sub, flat types only)

1	Upward
2	Lateral

P, E port size

C8	One-touch fitting for ø8	SV1000
N9	One-touch fitting for ø5/16"	
C10	One-touch fitting for ø10	SV2000
N11	One-touch fitting for ø3/8"	
00	Plug	All series

* "00" (Plug) is not available for S, R and RS types.

SUP/EXH block assembly specifications

30	For EX500 (decentralized serial)
32	For circular connector
33	D-sub connector
34	For flat ribbon cable connector (26 pins)
35	For flat ribbon cable connector (20 pins)
36	For flat ribbon cable connector (10 pins)
37	For flat ribbon cable PC wiring
38	For EX120 (dedicated output serial)

* Since EX500 and EX120 type SI units are not included, order them separately.

Pilot specifications

Nil	Internal pilot specifications
S	Internal pilot/Built-in silencer
R	External pilot specifications
RS	External pilot/Built-in silencer

No.	Description	Part no.		Note
		SV1000	SV2000	
④	Series EX500 SI unit	EX500-S0001		
⑤	Series EX120 SI unit	Refer to page 378.		
⑥	Gasket	SX3000-57-4	SX5000-57-6	
⑦	Connector gasket	SX3000-146-2		
⑧	DIN rail	VZ1000-11-1-□		Refer to DIN rail dimension tables on page 437.
⑨	Round head combination screw	SX3000-22-2 (M2 x 24) Tightening torque: 0.16N·m	SV2000-21-1 (M3 x 30) Tightening torque: 0.8N·m	

SJ

SY

SV

SVJ

SZ

VP4

S0700

VQ

VQ4

VQ5

VQC

VQZ

SQ

VFS

VFR

VQ7

Type 16: Cassette Base Manifold

How to increase manifold bases (Type 16)

(1) Loosen the screws (a) (2 pcs. on one side) that hold the manifold base onto the DIN rail.
(When removing the manifold base from the DIN rail, loosen the holding screws at four locations.)

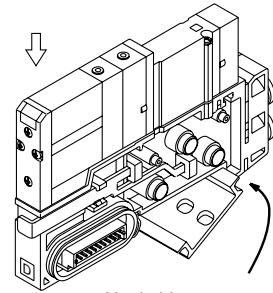
(2) Using a flat head screwdriver, etc., pull the lever (b) forward on the manifold block assembly where a station is to be added, and disconnect the manifold block assemblies.

(3) Attach the manifold block assembly to be added to the DIN rail as shown in the figure.

(4) Connect the block assemblies by pressing them together, and push the lever (b) in firmly until it stops.

Then secure them to the DIN rail by tightening the screws (a).

⚠ Caution (Tightening torque: 1.4 N·m)



Hook this part onto the DIN rail, and press down in the direction of the arrow.

Figure. Block mounting procedure

⚠ Caution

Fitting assembly replacement

By replacing manifold fitting assemblies, it is possible to change the size of the A, B ports and P, E ports. To replace them, Remove the clip with a flat head screwdriver, etc., and pull out the fitting assembly. Mount the new fitting assembly by inserting it and then replacing the clip to its fully inserted position.

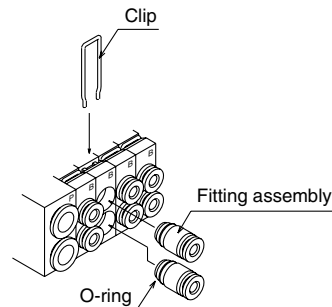
Fitting Assembly Part No.

Port size		SV1000	SV2000
A, B Port	One-touch fitting for ø3.2	VVQ1000-50A-C3	—
	One-touch fitting for ø4	VVQ1000-50A-C4	VVQ1000-51A-C4
	One-touch fitting for ø6	VVQ1000-50A-C6	VVQ1000-51A-C6
	One-touch fitting for ø8	—	VVQ1000-51A-C8
	One-touch fitting for ø1/8"	VVQ1000-50A-N1	—
	One-touch fitting for ø5/32"	VVQ1000-50A-N3	VVQ1000-51A-N3
	One-touch fitting for ø1/4"	VVQ1000-50A-N7	VVQ1000-51A-N7
	One-touch fitting for ø5/16"	—	VVQ1000-51A-N9
P, E Port	One-touch fitting for ø8	VVQ1000-51A-C8	—
	One-touch fitting for ø10	—	VVQ2000-51A-C10
	One-touch fitting for ø5/16"	VVQ1000-51A-N9	—
	One-touch fitting for ø3/8"	—	VVQ2000-51A-N11

Note 1) Be careful to avoid damage or contamination of O-rings, as this can cause air leakage.

Note 2) When removing a fitting assembly from a valve, after removing the clip, attach tubing or a plug (KQ2P-□□) to the One-touch fitting, and pull it out while holding the tubing (or plug). If it is pulled out while holding the release button of the fitting assembly (resin part), the release button may be damaged.

Note 3) Be sure to shut off the power and air supplies before disassembly. Furthermore, since air may remain inside the actuator, piping and manifold, confirm that the air is completely exhausted before performing any work.



■ How to order cassette base type 16 solenoid valves with manifold block

[Series SV1000/SV2000]

• Type with manifold block is used when adding stations, etc.

SV **1100** - **5 F** - - - -

Series

1	SV1000
2	SV2000

Type of actuation

1	2 position single
2	2 position double
3	3 position closed center
4	3 position exhaust center
5	3 position pressure center
A	4 position dual 3 port valve: N.C./N.C.
B	4 position dual 3 port valve: N.O./N.O.
C	4 position dual 3 port valve: N.C./N.O.

Pilot type

Nil	Internal pilot
R	External pilot

* External pilot specifications is not available for 4 position dual 3 port valves.

Back pressure check valve

Nil	None
K	Built-in

* Back pressure check valve is not available for 3 position valve.
* Built-in back pressure check valve type is applicable to series SV1000 only.

Rated voltage

5	24 VDC
6	12 VDC

* Note that serial wiring manifolds (EX500, EX120) are only available with 24 VDC.

Made to Order

Nil	—
X90	Main valve fluoro rubber (Refer to page 488.)

A, B port size

Refer to A, B ports size tables on pages 356, 378, 398 and 409.

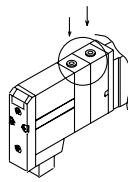
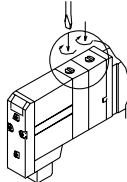
Manifold wiring specifications

Nil	Double wiring
S	Single wiring

Manifold block type

C	Cassette base type 16 with manifold block
---	---

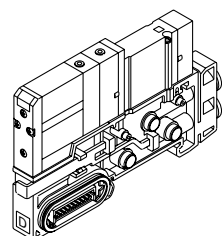
Manual override

<p>Nil: Non-locking push type</p> 	<p>D: Push-turn locking slotted type</p> 
--	--

Light/Surge voltage suppressor

U	With light/surge voltage suppressor
R	With surge voltage suppressor

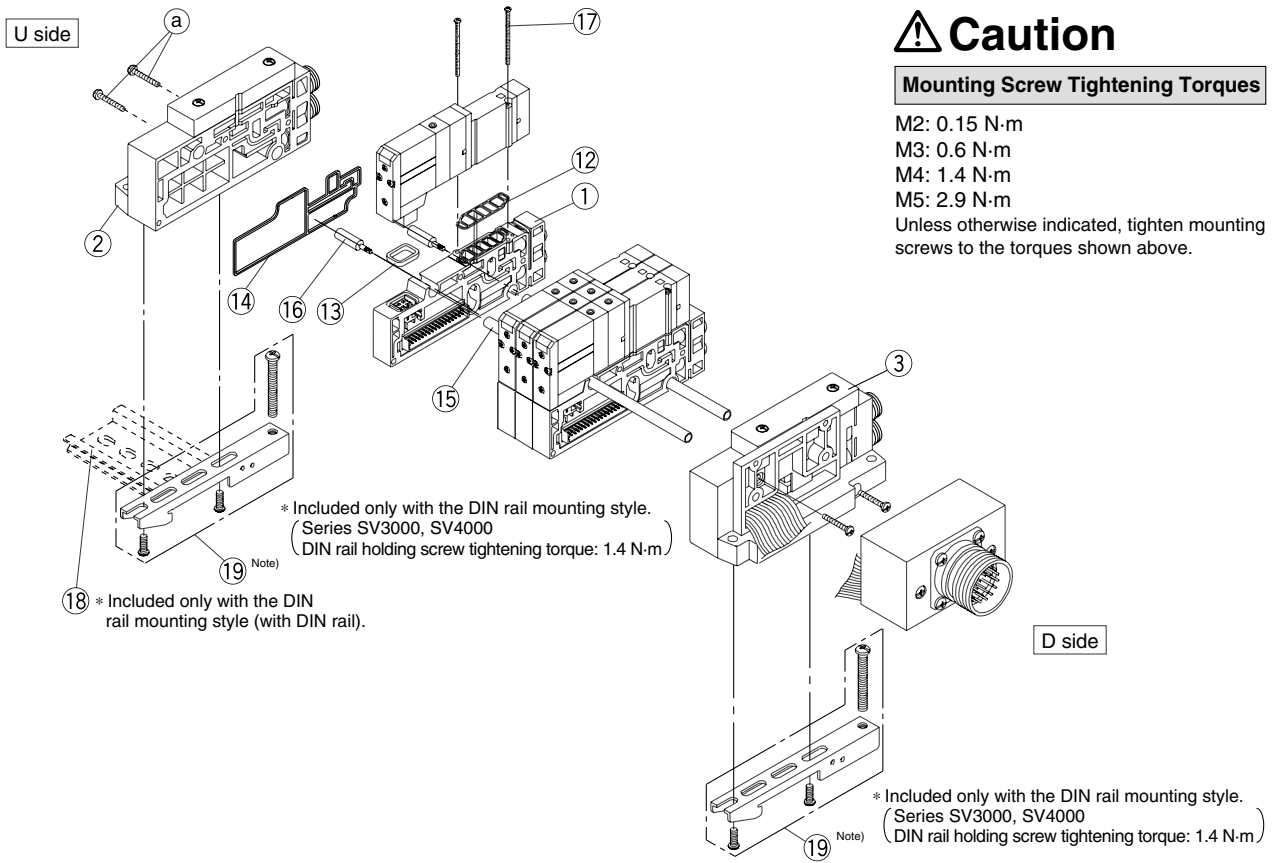
Example (SV1000)
SV1200-5FU-C-C6



Note) Refer to Specific Product Precautions 2 on page 450.

- SJ
- SY
- SV**
- SVJ
- SZ
- VP4
- S0700
- VQ
- VQ4
- VQ5
- VQC
- VQZ
- SQ
- VFS
- VFR
- VQ7

Type 10: Tie-rod Base Manifold Exploded View



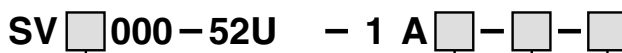
③ SUP/EXH block assembly		
<p>EX250 (Type 10S1□W)</p> <p>* ⑤, ⑥, ⑦ and ⑧ are not included in the SUP/EXH block assembly.</p> <p>* Included only with the DIN rail mounting style. (Tightening torque of DIN rail holding screw: 0.5 N·m)</p>	<p>Circular connector (Type 10C)</p>	
<p>EX500 (Type 10SA□W)</p> <p>* ④ is not included in the SUP/EXH block assembly.</p>	<p>D-sub connector (Type 10F)</p>	
<p>EX126 (Type 10S4□D)</p> <p>* ⑨ and ⑩ are not included in the SUP/EXH block assembly.</p>	<p>For flat ribbon cable connector (Type 10P□)</p>	
<p>EX120 (Type 10S3□)</p> <p>* ⑪ is not included in the SUP/EXH block assembly.</p>		

Note) ⑧ and ⑱ are for SV2000. Mounting orientation onto DIN rail gets reversed.

① Manifold Block Assembly Part No.

Series	Wiring specifications	Manifold block assembly part no.	Note
SV1000	Single	SV1000-50-1A-□□	C3: With One-touch fitting for ø3.2 N1: One-touch fitting for ø1/8" C4: With One-touch fitting for ø4 N3: One-touch fitting for ø5/32" C6: With One-touch fitting for ø6 N7: One-touch fitting for ø1/4" (Tie-rod for station additions ⑭ and gaskets ⑩, ⑪, and ⑫ are included.)
	Double	SV1000-50-2A-□□	
SV2000	Single	SV2000-50-1A-□□	C4: With One-touch fitting for ø4 N3: One-touch fitting for ø5/32" C6: With One-touch fitting for ø6 N7: One-touch fitting for ø1/4" C8: With One-touch fitting for ø8 N9: One-touch fitting for ø5/16" (Tie-rod for station additions ⑭ and gaskets ⑩, ⑪, and ⑫ are included.)
	Double	SV2000-50-2A-□□	
SV3000	Single	SV3000-50-1A-□□	C6: With One-touch fitting for ø6 N7: One-touch fitting for ø1/4" C8: With One-touch fitting for ø8 N9: One-touch fitting for ø5/16" C10: With One-touch fitting for ø10 N11: One-touch fitting for ø3/8" (Tie-rod for station additions ⑭ and gaskets ⑩, ⑪, and ⑫ are included.)
	Double	SV3000-50-2A-□□	
SV4000	Single	SV4000-50-1A-□□	C8: With One-touch fitting for ø8 N9: One-touch fitting for ø5/16" C10: With One-touch fitting for ø10 N11: One-touch fitting for ø3/8" C12: With One-touch fitting for ø12 02: Rc 1/4 02N: NPT 1/4 03: Rc 3/8 03N: NPT 3/8 02F: G1/4 02T: NPTF1/4 03F: G3/8 03T: NPTF 3/8 (Tie-rod for station additions ⑭ and gaskets ⑩, ⑪, and ⑫ are included.)
	Double	SV4000-50-2A-□□	

② SUP/EXH end block assembly



③ SUP/EXH block assembly



Series

1	SV1000
2	SV2000
3	SV3000
4	SV4000

Connector entry direction (D-sub, flat types only)

1	Upward
2	Lateral

Mounting

Nil	Direct mounting
DO	DIN rail mounting

SUP/EXH block assembly specifications

10	For EX500 (decentralized serial)
11	For EX250 (serial wiring with I/O unit) For EX126 (dedicated output serial)
12	For circular connector
13	D-sub connector
14	For flat ribbon cable connector (26 pins)
15	For flat ribbon cable connector (20 pins)
16	For flat ribbon cable connector (10 pins)
17	For flat ribbon cable PC wiring
18	For EX120 (dedicated output serial)

Pilot type

Nil	Internal pilot
S	Internal pilot/Built-in silencer
R	External pilot
RS	External pilot/Built-in silencer

P, E port size

C8	One-touch fitting for ø8	SV1000
N9	One-touch fitting for ø5/16"	
C10	One-touch fitting for ø10	SV2000
N11	One-touch fitting for ø3/8"	
C12	One-touch fitting for ø12	SV3000 SV4000
N11	One-touch fitting for ø3/8"	
03	Rc 3/8	SV4000
03F	G 3/8	
03N	NPT 3/8	
03T	NPTF 3/8	
00	Plug	All series

* Since EX500 EX250, EX126 and EX120 type SI units are not included, order them separately.

* "00" (Plug) is not available for S, R and RS types.

No.	Description	Series				
		SV1000	SV2000	SV3000	SV4000	
4	Series EX500 SI unit	Refer to page 356.				
5	Series EX250 SI unit	Refer to page 366.				
6	Series EX250 input block	EX250-IE1				M12, 2 inputs
		EX250-IE2				M12, 4 inputs
		EX250-IE3				M8, 4 inputs (3 pins)
7	Series EX250 end plate assembly	EX250-EA1				With mounting screws (M3 x 10, 2 pcs.)
8	For EX250 clamp assembly	SV1000-78A				
9	Series EX126 SI unit	Refer to page 372.				
10	Terminal block plate	VVQC1000-74A-2				For mounting EX126 SI unit
11	Series EX120 SI unit	Refer to page 378.				
12	Gasket	SX3000-57-4	SX5000-57-6	SX7000-57-5	SY9000-11-2	
13	Connector gasket	SX3000-146-2	SX3000-146-2	SX3000-146-2	SX3000-146-2	
14	Manifold block gasket	SX3000-181-1	SX5000-138-1	SV3000-65-1	SV4000-65-2	
15	Tie-rod	SV1000-55-1-□□	SV2000-55-1-□□	SV3000-55-1-□□	SV4000-55-1-□□	
16	Tie-rod for station addition	SV1000-55-2-1	SV2000-55-2A	SV3000-55-2A	SV4000-55-2A	□□: Manifold stations
17	Round head combination screw (Valve mounting screw)	SX3000-22-2 (M2 x 24)	SV2000-21-1 (M3 x 30)	SV3000-21-1 (M4 x 35)	SV2000-21-2 (M3 x 40)	
		Tightening torque: 0.16 N·m	Tightening torque: 0.8 N·m	Tightening torque: 1.4 N·m	Tightening torque: 0.8 N·m	
18	DIN rail	VZ1000-11-1-□	VZ1000-11-1-□	VZ1000-11-4-□	VZ1000-11-4-□	Refer to DIN rail dimension tables on page 437.
19	Clamp assembly	SV1000-69A	SV1000-69A	SV3000-69A	SV3000-69A	

Note) Two pieces of ⑮ and ⑯ (tie-rod) are required for Series SV1000, and three pieces are required for Series SV2000, 3000 and 4000.
Two pieces of ⑰ (valve mounting screw) are required for Series SV1000, 2000 and 3000, and three pieces are required for Series SV4000.

SJ
SY
SV
SYJ
SZ
VP4
S0700
VQ
VQ4
VQ5
VQC
VQZ
SQ
VFS
VFR
VQ7

Series SV

Type 10: Tie-rod Base Manifold

How to increase manifold bases (Type 10)

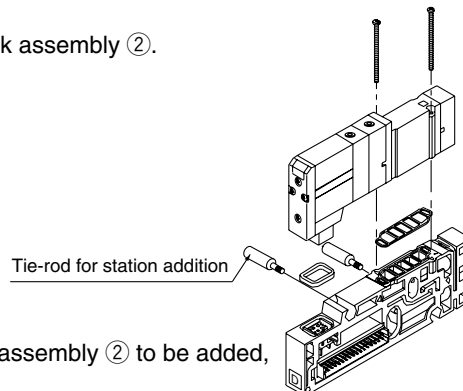
(1) Loosen the U side screws (a), and remove the SUP/EXH end block assembly (2).



(2) Screw in the tie-rods (14) for station addition.
(Screw them in until there is no gap between the tie-rods.)



(3) Connect the manifold assembly (1) and supply/exhaust end block assembly (2) to be added, and tighten the screws (a).



⚠ Caution Tightening torques (a)

SV1000, SV2000	0.6 N·m
SV3000	1.4 N·m
SV4000	2.9 N·m

ⓘ Note) When eliminating manifold stations, the appropriate tie-rods (13) for the desired change should be ordered separately.
(When equipped with a DIN rail, be sure to tighten the DIN rail holding screws after tightening the tension bolts.)

⚠ Caution

Fitting Assembly Replacement


By replacing manifold fitting assemblies, it is possible to change the size of the A, B ports and P, E ports. To replace them, remove the clip with a flat head screwdriver, etc., and pull out the fitting assembly. Mount the new fitting assembly by inserting it and then replacing the clip to its fully inserted position.

Fitting Assembly Part No.


Port size		SV1000	SV2000	SV3000	SV4000
A, B Port	One-touch fitting for ø3.2	VVQ1000-50A-C3	—	—	—
	One-touch fitting for ø4	VVQ1000-50A-C4	VVQ1000-51A-C4	—	—
	One-touch fitting for ø6	VVQ1000-50A-C6	VVQ1000-51A-C6	VVQ2000-51A-C6	—
	One-touch fitting for ø8	—	VVQ1000-51A-C8	VVQ2000-51A-C8	VVQ4000-50B-C8
	One-touch fitting for ø10	—	—	VVQ2000-51A-C10	VVQ4000-50B-C10
	One-touch fitting for ø12	—	—	—	VVQ4000-50B-C12
	One-touch fitting for ø1/8"	VVQ1000-50A-N1	—	—	—
	One-touch fitting for ø5/32"	VVQ1000-50A-N3	VVQ1000-51A-N3	—	—
	One-touch fitting for ø1/4"	VVQ1000-50A-N7	VVQ1000-51A-N7	VVQ2000-51A-N7	—
	One-touch fitting for ø5/16"	—	VVQ1000-51A-N9	VVQ2000-51A-N9	VVQ4000-50B-N9
	One-touch fitting for ø3/8"	—	—	VVQ2000-51A-N11	VVQ4000-50B-N11
	1/4 threaded type port block assembly	—	—	—	SY9000-58A-02□
	3/8 threaded type port block assembly	—	—	—	SY9000-58A-03□
P, E Port	One-touch fitting for ø8	VVQ1000-51A-C8	—	—	—
	One-touch fitting for ø10	—	VVQ2000-51A-C10	—	—
	One-touch fitting for ø12	—	—	VVQ4000-50B-C12	VVQ4000-50B-C12
	One-touch fitting for ø5/16"	VVQ1000-51A-N9	—	—	—
	One-touch fitting for ø3/8"	—	VVQ2000-51A-N11	VVQ4000-50B-N11	VVQ4000-50B-N11
	3/8 threaded type port block assembly	—	—	—	SY9000-58B-03□

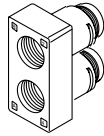
■ 1/4, 3/8 thread type port block assembly

For A, B port

SY9000-58A-02 

For P, E port

SY9000-58B-03 



● Thread type

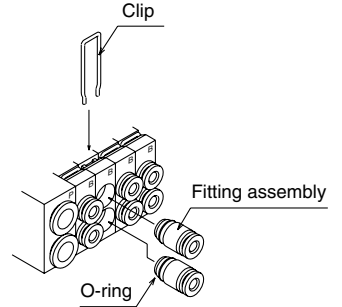
Nil	Rc
F	G
N	NPT
T	NPTF



Note 1) Be careful to avoid damage or contamination of O-rings, as this can cause air leakage.

Note 2) When removing a fitting assembly from a valve, after removing the clip, attach tubing or a plug (KQP-□□) to the One-touch fitting, and pull it out while holding the tubing (or plug). If it is pulled out while holding the release button of the fitting assembly (resin part), the release button may be damaged. However, 02 and 03 port block assemblies should be pulled out as they are.

Note 3) Be sure to shut off the power and air supplies before disassembly. Furthermore, since air may remain inside the actuator, piping and manifold, confirm that the air is completely exhausted before performing any work.



■ How to order tie-rod type 10 solenoid valves with manifold block

[Series SV1000 to SV4000]

● Type with manifold block is used when adding stations, etc.

SV **1100** - **5 F** - - - -

1	SV1000
2	SV2000
3	SV3000
4	SV4000

● A, B port size

Refer to A, B port size table on pages 356, 366, 372, 378, 388, 398 and 409

● Manifold wiring specifications

Nil	Double wiring
S	Single wiring

● Made to Order

Nil	-
X90	Main valve fluoro rubber (Refer to page 448.)

● Type of actuation

1	2 position single
2	2 position double
3	3 position closed center
4	3 position exhaust center
5	3 position pressure center
A	4 position dual 3 port valve: N.C./N.C.
B	4 position dual 3 port valve: N.O./N.O.
C	4 position dual 3 port valve: N.C./N.O.

* 4 position dual 3 port valves are applicable to Series SV1000 and SV2000 only.

● Pilot type

Nil	Internal pilot
R	External pilot

* External pilot specifications is not available for 4 position dual 3 port valves.

● Back pressure check valve

Nil	None
K	Built-in

* Built-in back pressure check valve type is applicable to series SV1000 only.

* Back pressure check valve is not available for 3 position valve.

● Manifold block type

T	For Tie-rod base type 10 with manifold block
---	--

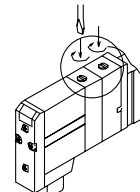
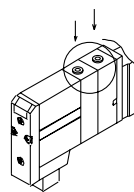


Note) Tie-rod type 10 includes tie-rods for station additions.

● Manual override

Nil: Non-locking push type

D: Push-turn locking slotted type



● Light/Surge voltage suppressor

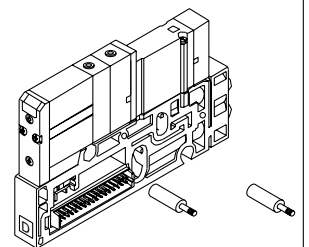
U	With light/surge voltage suppressor
R	With surge voltage suppressor

● Rated voltage

5	24 VDC
6	12 VDC

* Note that serial wiring (EX500, EX250 and EX12□) are only available with 24 VDC.

Example (SV1000)
SV1200-5FU-T-C6



Note) Refer to Specific Product Precautions 2 on page 450.

- SJ
- SY
- SV
- SYJ
- SZ
- VP4
- S0700
- VQ
- VQ4
- VQ5
- VQC
- VQZ
- SQ
- VFS
- VFR
- VQ7

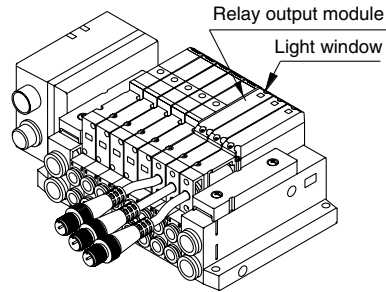
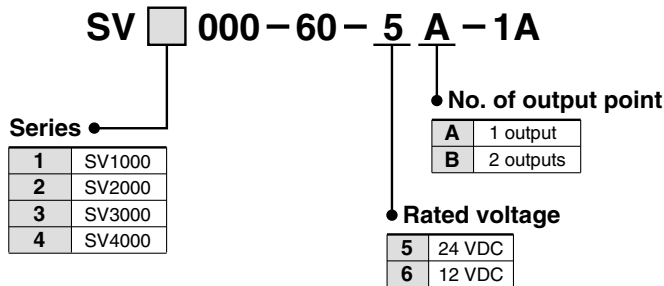
Series SV

Manifold Option (Common for Type 16 and 10)

Relay output module

By adding a relay output module to a series SV manifold, devices up to 110 VAC, 3 A (large type solenoid valves, etc.) can be controlled together with Series SV valves.

How to Order



* Note that serial wiring manifolds (EX500, EX250 and EX12□) are available with 24 VDC only.

Relay Output Module Specifications

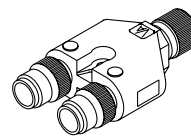
Item	Specifications			
No. of output points	1 output [connector with lead wire (M12)]		2 outputs [connector with lead wire (M12)]	
Output type	4 pins connector (M12) plug 1. — 2. Output A 3. — 4. Output A Contact type ("a" contact)	 Relay output module side pin arrangement	4 pins connector (M12) plug 1. Output B 2. Output A 3. Output B 4. Output A Contact type ("a" contact)	 Relay output module side pin arrangement
Load voltage	110 VAC	30 VDC	110 VAC	30 VDC
Load current	3 A	3 A	0.3 A	1 A
Indicator light	Orange		A side: Orange B side: Green	
Enclosure	Based on IP67 (IEC60529)			
Current consumption	20 mA or less			
Polarity	Non-polar			
weight (g)	48			

Y type connector

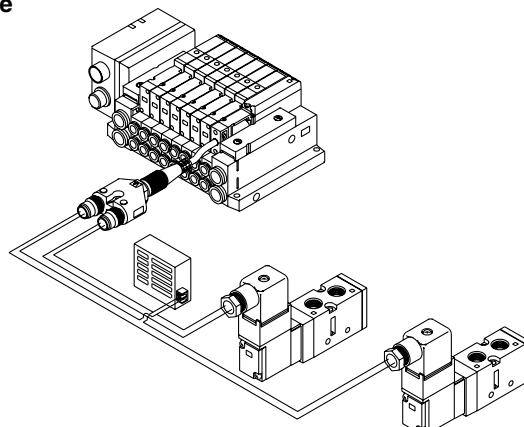
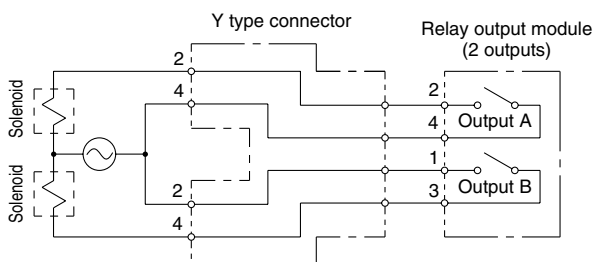
Used to branch a two output relay output module to two separate systems.

How to Order

EX500-ACY00-S



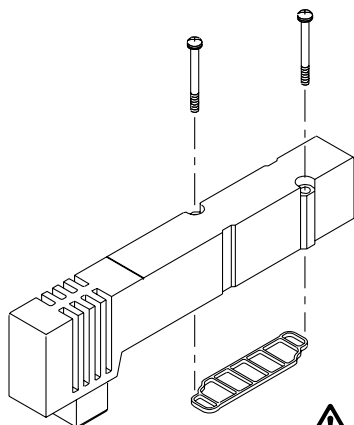
Relay output module and Y type connector wiring example



Manifold Option

■ Blanking plate assembly

Used in situations where valves will be added in the future or for maintenance.



Series	Blanking plate assembly part no.
SV1000	SV1000-67-1A
SV2000	SV2000-67-1A
SV3000	SV3000-67-1A
SV4000	SV4000-67-1A

⚠ Caution

Mounting screw tightening torques

M2: 0.16 N·m
M3: 0.8 N·m
M4: 1.4 N·m

■ SUP/EXH block disk

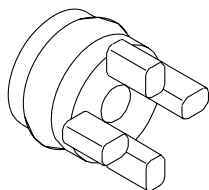
[SUP block disk]

By placing a SUP block disk in a manifold valve's pressure supply passage, two different high and low pressures can be supplied to one manifold.

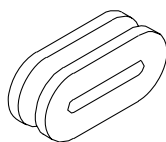
[EXH block disk]

By installing an EXH block disk in a manifold valve's exhaust passage, the valve's exhaust can be separated so that it will not affect other valves. It can also be used on a manifold with mixed positive pressure and vacuum.

(Two pieces are required to block EXH on both sides. However, Series SV1000 and 2000 type 10 manifolds require only one piece.)



Cassette base type 16



Tie-rod base type 10

Series	Manifold Model	SUP block disk	EXH block disk
SV1000	10	SV1000-59-1A	SV1000-59-2A
	16	SX3000-77-1A	SX3000-77-1A
SV2000	10	SV2000-59-1A	SV2000-59-2A
	16	SV2000-59-3A	SV2000-59-3A
SV3000	10	SV3000-59-1A	SV3000-59-1A
SV4000	10	SY9000-57-1A	SY9000-57-1A

■ Label for block disk

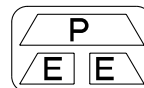
These labels are attached to manifolds in which SUP and EXH block disks have been installed, in order to identify the installed locations. (Three sheets each included.)

SV1000-74-1A

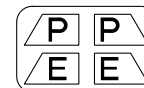
Label for SUP
block disk



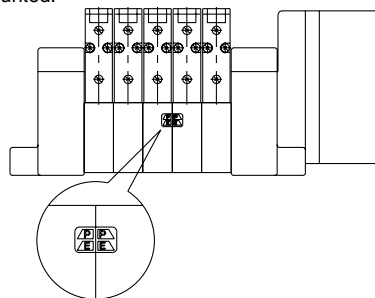
Label for EXH
block disk



Label for SUP/EXH
block disk

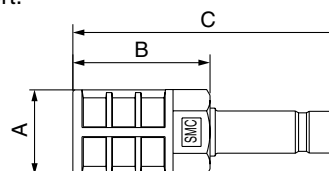


* When a block disk is concurrently ordered by specifying on the manifold specification sheet, etc., a label will be stuck on the position where block disk is mounted.



■ Silencer with One-touch fitting

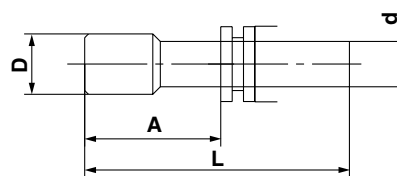
This silencer can be quickly mounted on the manifold's E (exhaust) port.



Series	Model	Effective area	A	B	C
SV1000 (For ø8)	AN203-KM8	14 mm ²	ø16	26	51
	AN200-KM10	26 mm ²	ø22	53.8	80.8
SV2000 (For ø10)	AN300-KM10	30 mm ²	ø25	70	97
SV3000 SV4000 (For ø12)	AN300-KM12	41 mm ²	ø25	70	98

■ Plug (White)

These are inserted in unused cylinder ports and P, E ports.



Applicable fitting size d	Model	A	L	D
ø4	KQ2P-04	16	32	ø6
ø6	KQ2P-06	18	35	ø8
ø8	KQ2P-08	20.5	39	ø10
ø10	KQ2P-10	22	43	ø12
ø12	KQ2P-12	24	44.5	ø14
ø1/8"	KQ2P-01	16	31.5	ø5
ø5/32"	KQ2P-03	16	32	ø6
ø1/4"	KQ2P-07	18	35	ø8.5
ø5/16"	KQ2P-09	20.5	39	ø10
ø3/8"	KQ2P-11	22	43	ø11.5

SJ
SY
SV
SVJ
SZ
VP4
S0700
VQ
VQ4
VQ5
VQC
VQZ
SQ
VFS
VFR
VQ7

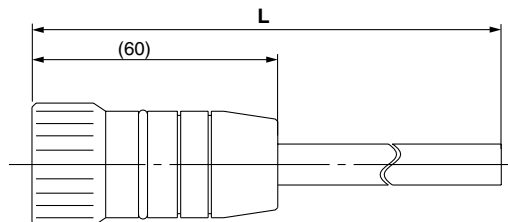
Manifold Option

■ Circular connector/Cable assembly (26 pins)

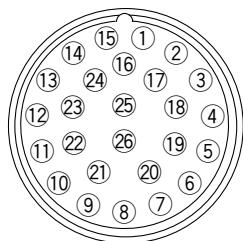
AXT100 – MC26 – □

Lead Wire Length

Part no.	L dimension
AXT100-MC26-015	1.5 m
AXT100-MC26-030	3 m
AXT100-MC26-050	5 m



Plug terminal no.
(arrangement as seen from lead wire side)



Circular Connector Cable Assembly Terminal No.

Terminal no.	Lead wire color	Dot marking
①	Black	None
②	Brown	None
③	Red	None
④	Orange	None
⑤	Yellow	None
⑥	Pink	None
⑦	Blue	None
⑧	Purple	White
⑨	Gray	Black
⑩	White	Black
⑪	White	Red
⑫	Yellow	Red
⑬	Orange	Red
⑭	Yellow	Black
⑮	Pink	Black
⑯	Blue	White
⑰	Purple	None
⑱	Gray	None
⑲	Orange	Black
⑳	Red	White
㉑	Brown	White
㉒	Pink	Red
㉓	Gray	Red
㉔	Black	White
㉕	White	None

Note) Terminal no. ㉖ is connected to ㉕ inside the connector.

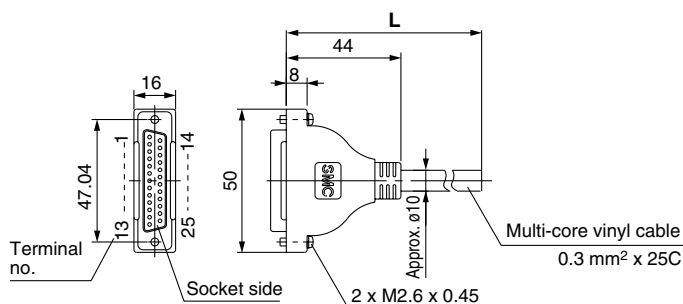
■ D-sub connector/Cable assembly (25 pins)

AXT100 – DS25 – □

Lead Wire Length

Part no.	L dimension
AXT100-DS25-015	1.5 m
AXT100-DS25-030	3 m
AXT100-DS25-050	5 m

When a commercially available connector is required, use a 25 pin female connector conforming to MIL-C24308.



D-sub Connector Cable Assembly Terminal No.

Terminal no.	Lead wire color	Dot marking
①	Black	None
②	Brown	None
③	Red	None
④	Orange	None
⑤	Yellow	None
⑥	Pink	None
⑦	Blue	None
⑧	Purple	White
⑨	Gray	Black
⑩	White	Black
⑪	White	Red
⑫	Yellow	Red
⑬	Orange	Red
⑭	Yellow	Black
⑮	Pink	Black
⑯	Blue	White
⑰	Purple	None
⑱	Gray	None
⑲	Orange	Black
⑳	Red	White
㉑	Brown	White
㉒	Pink	Red
㉓	Gray	Red
㉔	Black	White
㉕	White	None

Circular Connector, D-sub Connector Cable Assembly Electric Characteristics

Item	Characteristics
Conductor resistance Ω/km, 20°C	65 or less
Withstand voltage VAC, 1 min.	1000
Insulation resistance, MΩkm, 20°C	5 or less

Note) The minimum inside bending radius for each cable is 20 mm.

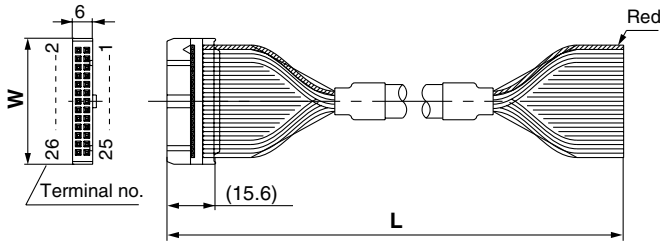
Manifold Option

■ Flat ribbon cable/Cable assembly

AXT100 – FC –

Cable length (L)	10 pins	20 pins	26 pins
1.5 m	AXT100-FC10-1	AXT100-FC20-1	AXT100-FC26-1
3 m	AXT100-FC10-2	AXT100-FC20-2	AXT100-FC26-2
5 m	AXT100-FC10-3	AXT100-FC20-3	AXT100-FC26-3
Connector width (W)	17.2	30	37.5

* For other commercial connectors, use a type with strain relief conforming to MIL-C-83503.



Connector manufacturers' example

- Hirose Electric Co., Ltd.
- Sumitomo 3M Limited
- Fujitsu Limited
- Japan Aviation Electronics Industry, Ltd.
- J.S.T. Mfg. Co., Ltd.

■ Connector cable for M12 waterproof connector (Female side)

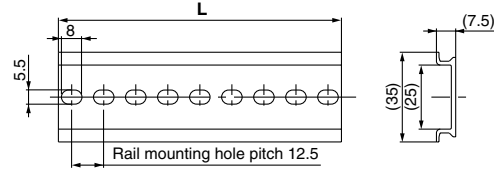
Connector manufacturers' example

- Correns Corp.
- OMRON Corp.
- Yamatake-Honeywell Corp.
- Hirose Electric Co., Ltd.
- DDK Ltd.

■ SV1000/2000 and Series EX500 input unit
DIN rail dimensions and mass

VZ1000 – 11 – 1 –

* As for , enter the number from the DIN rail dimensions table.

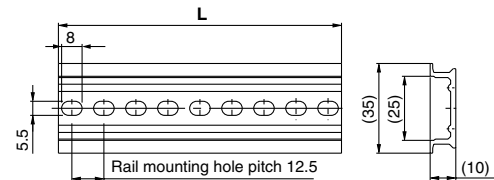


No.	0	1	2	3	4	5	6	7	8	9
L dimension	98	110.5	123	135.5	148	160.5	173	185.5	198	210.5
Mass (g)	17.6	19.9	22.1	24.4	26.6	28.9	31.1	33.4	35.6	37.9
No.	10	11	12	13	14	15	16	17	18	19
L dimension	223	235.5	248	260.5	273	285.5	298	310.5	323	335.5
Mass (g)	40.1	42.4	44.6	46.9	49.1	51.4	53.6	55.9	58.1	60.4
No.	20	21	22	23	24	25	26	27	28	29
L dimension	348	360.5	373	385.5	398	410.5	423	435.5	448	460.5
Mass (g)	62.5	64.9	67.1	69.4	71.6	73.9	76.1	78.4	80.6	82.9
No.	30	31	32	33	34	35	36	37	38	39
L dimension	473	485.5	498	510.5	523	535.5	548	560.5	573	585.5
Mass (g)	85.1	87.4	89.6	91.9	94.1	96.4	98.6	100.9	103.1	105.4
No.	40	41	42	43	44	45	46	47	48	49
L dimension	598	610.5	623	635.5	648	660.5	673	685.5	698	710.5
Mass (g)	107.6	109.9	112.1	114.4	116.6	118.9	121.1	123.4	125.6	127.9
No.	50	51	52	53	54	55	56	57	58	59
L dimension	723	735.5	748	760.5	773	785.5	798	810.5	823	835.5
Mass (g)	130.1	132.4	134.6	136.9	139.1	141.4	143.6	145.9	148.1	150.4
No.	60	61	62	63	64	65	66	67	68	69
L dimension	848	860.5	873	885.5	898	910.5	923	935.5	948	960.5
Mass (g)	152.6	154.9	157.1	159.4	161.6	163.9	166.1	168.4	170.6	172.9
No.	70	71								
L dimension	973	985.5								
Mass (g)	175.1	177.4								

■ SV3000 and 4000 DIN rail dimensions and mass

VZ1000 – 11 – 4 –

* As for , enter the number from the DIN rail dimensions table.



No.	0	1	2	3	4	5	6	7	8	9	10	11	12	13	14	15	16	17	18	19	20
L dimension	98	110.5	123	135.5	148	160.5	173	185.5	198	210.5	223	233.5	248	260.5	273	285.5	298	310.5	323	335.5	348
Mass (g)	24.8	28	31.1	34.3	37.4	40.6	43.8	46.9	50.1	53.3	56.4	59.6	62.7	65.9	69.1	72.2	75.4	78.6	81.7	84.9	88
No.	21	22	23	24	25	26	27	28	29	30	31	32	33	34	35	36	37	38	39	40	41
L dimension	360.5	373	385.5	398	410.5	423	435.5	448	460.5	473	485.5	498	510.5	523	535.5	548	560.5	573	585.5	598	610.5
Mass (g)	91.2	94.4	97.5	100.7	103.9	107	110.2	113.3	116.5	119.7	122.8	126	129.2	132.3	135.5	138.6	141.8	145	148.1	151.3	154.5
No.	42	43	44	45	46	47	48	49	50	51	52	53	54	55	56	57	58	59	60	61	62
L dimension	623	635.5	648	660.5	673	685.5	698	710.5	723	735.5	748	760.5	773	785.5	798	810.5	823	835.5	848	860.5	873
Mass (g)	157.6	160.8	163.9	167.1	170.3	173.4	176.6	179.8	182.9	186.1	189.2	192.4	195.6	198.7	201.9	205.1	208.2	211.4	214.5	217.7	220.9
No.	63	64	65	66	67	68	69	70	71												
L dimension	885.5	898	910.5	923	935.5	948	960.5	973	985.5												
Mass (g)	224	227.2	230.4	233.5	236.7	239.8	243	246.2	249.3												

SJ
SY
SV
SYJ
SZ
VP4
S0700
VQ
VQ4
VQ5
VQC
VQZ
SQ
VFS
VFR
VQ7

Series SV

Manifold Option

Interface regulator

How to order interface regulator

Series SV1000

SV1 0 00 - 05 - P

Applicable valve

0	For single, double
3	For 3 position

Regulating port

P	P port
A1	A port (P controlled type, A port regulation)
B1	B port (P controlled type, B port regulation)

Option

05	With pressure gauge [For odd number station]
06	With pressure gauge [For even number station]
M1	Without pressure gauge

Series SV2000/SV3000/SV4000

SV 2 000 - 00 - P

Series

2	SV2000
3	SV3000
4	SV4000

Option

00	With pressure gauge
M1	Without pressure gauge

Regulating port

P	P port
A1	A port (P controlled type, A port regulation)
B1	B port (P controlled type, B port regulation)



Note) In the case of Series SV1000 with a pressure gauge when mounting on the manifold, use caution that the part numbers are different between the odd no. stations and the even no. stations to avoid pressure gauges from interfering from each others.

Note) Use caution that the part numbers will be differed depending on the one for single/double and 3 position due to the different length of solenoid valves. Also, when at least the one for 3 position is included in the same manifold, use all the ones for 3 position.

SV1000-05-□

(For mounting odd number stations)

SV1000-06-□

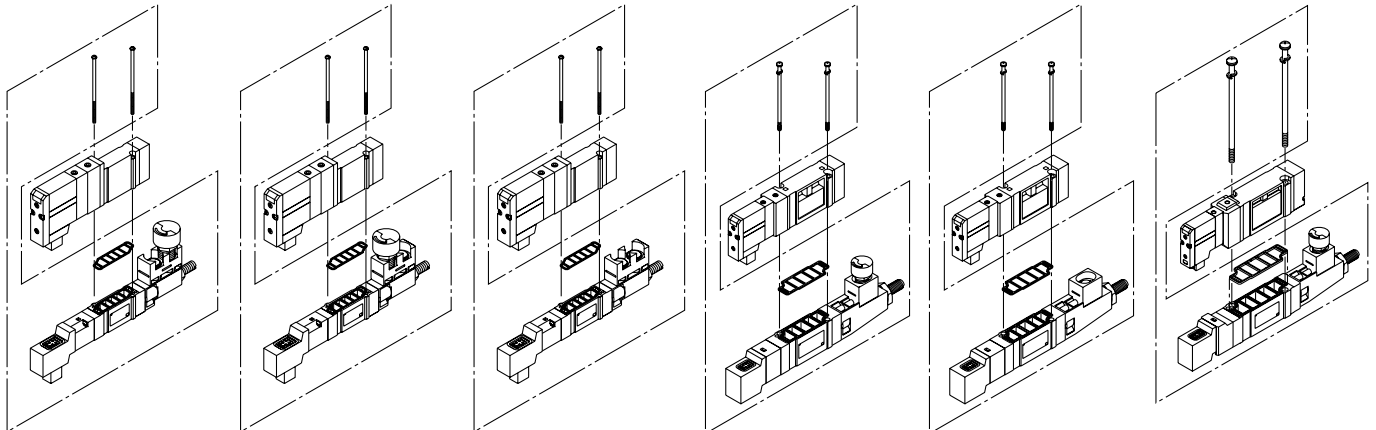
(For mounting even number stations)

SV1000-M1-□

SV2000-00-□

SV2000-M1-□

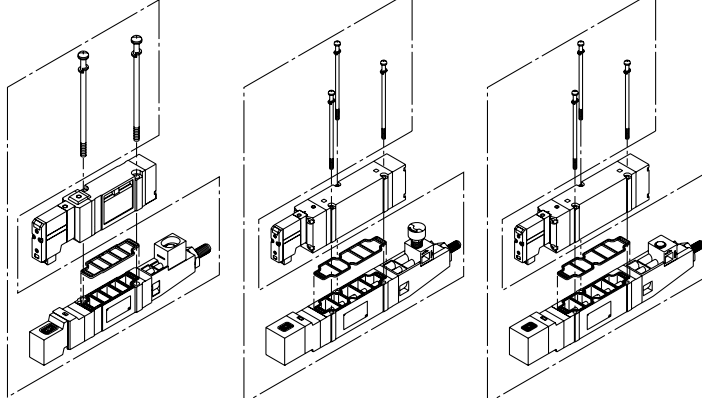
SV3000-00-□



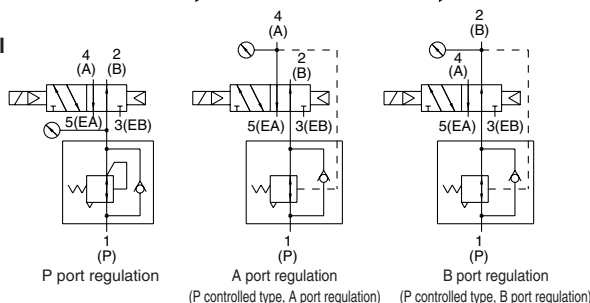
SV3000-M1-□

SV4000-00-□

SV4000-M1-□



JIS Symbol



Accessory

Series	Round head combination screw	Gasket
SV1000	SX3000-22-9 (M2 x 39.5)	SX3000-57-4
SV2000	SV2000-21-7 (M3 x 53)	SX5000-57-6
SV3000	SV3000-21-4 (M4 x 57)	SX7000-57-5
SV4000	SV2000-21-8 (M3 x 69.5)	SY9000-11-2

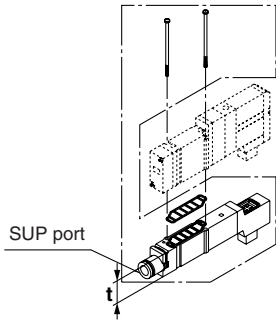
Caution

Mounting Screw Tightening Torques

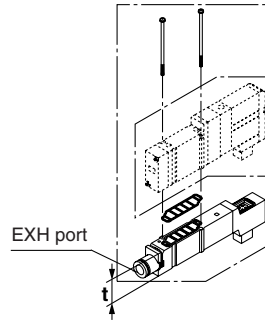
M2: 0.16 N·m
M3: 0.8 N·m
M4: 1.4 N·m

Manifold Option

Individual SUP spacer assembly



Individual EXH spacer assembly



How to order individual SUP/EXH spacer assembly

Series SV1000

SV1000 - 38 - 1A - C6

* t: 15

Port size

C3	One-touch fitting for $\phi 3.2$
C4	One-touch fitting for $\phi 4$
C6	One-touch fitting for $\phi 6$
N1	One-touch fitting for $\phi 1/8''$
N3	One-touch fitting for $\phi 5/32''$
N7	One-touch fitting for $\phi 1/4''$

Spacer type

38	Individual SUP spacer
39	Individual EXH spacer
88	Individual SUP + Individual EXH spacers (Double-stack)

* In the series SV3000, only type 10 is compatible with the double-stack spacers.
The series SV4000 is not compatible with the double-stack spacers. Individual SUP and EXH spacers can be mounted either on the top or the bottom.

Series SV2000/SV3000/SV4000

SV 2 000 - 38 - 1 A

Series

Symbol	Series	t
2	SV2000	15
3	SV3000	18.5
4	SV4000	20

Thread type Note)

Nil	Rc
F	G
N	NPT
T	NPTF

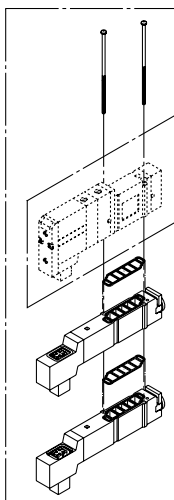


Note) SV2000/3000/4000 port size

Series	Port size
SV2000	1/8
SV3000	1/4
SV4000	

Series	Round head combination screw	Gasket
SV1000	SX3000-22-9 (M2 x 39.5)	SX3000-57-4
SV2000	SV2000-21-6 (M3 x 46)	SY5000-11-15
SV3000	SV3000-21-3 (M4 x 53)	SY7000-11-11
SV4000	SV2000-21-5 (M3 x 60)	SY9000-11-2

Individual SUP/EXH spacer assembly (Double-stack)



SJ
SY
SV
SVJ
SZ
VP4
S0700
VQ
VQ4
VQ5
VQC
VQZ
SQ
VFS
VFR
VQ7

Single Valve/Sub-plate Type IP67 Compliant Series SV1000/2000/3000/4000



How to Order

SV 1 1 00 - 5 W1 U D - - -

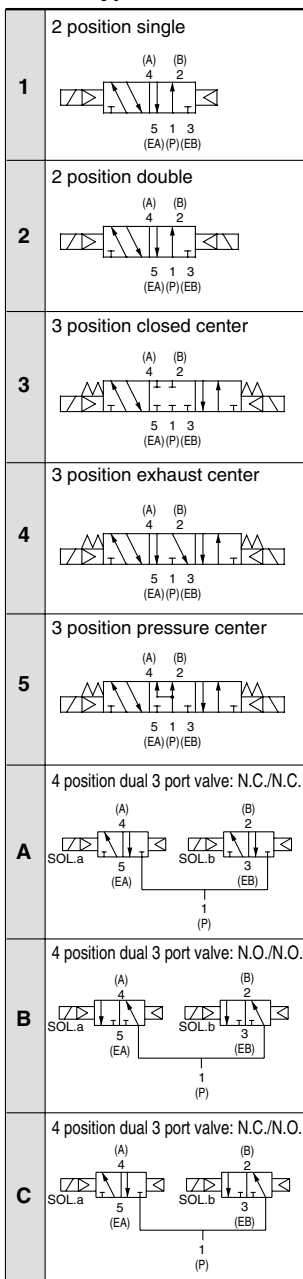
Series

1	SV1000
2	SV2000
3	SV3000
4	SV4000

Made to order

Nil	—
X90	Main valve fluoro rubber (Refer to page 448.)

Type of actuation



Pilot type

Nil	Internal pilot
R	External pilot

* External pilot specifications is not available for 4 position dual 3 port valves.

Rated voltage

5	24 VDC
6	12 VDC

M12 waterproof connector

Symbol	Cable length (mm)
W1	300
W2	500
W3	1000
W4	2000
W7	5000

Thread type

Nil	Rc
F	G
N	NPT
T	NPTF

Port size

Symbol	Port size	Applicable series
Nil	Without sub-plate	
01	1/8	SV1000
02	1/4	SV2000 SV3000
03	3/8	SV3000 SV4000
04	1/2	SV4000

Manual override

Nil	Non-locking push type
D	Push-turn locking slotted type

Light/Surge voltage suppressor

U	With light/surge voltage suppressor
R	With surge voltage suppressor

SV3000 and 4000 are not available with 4 position dual 3 port valve.

Series SV Solenoid Valve Specifications



Fluid		Air
Internal pilot operating pressure range (MPa)	2 position single	0.15 to 0.7
	4 position dual 3 port valve	
	2 position double	
3 position		0.1 to 0.7
		0.2 to 0.7
External pilot operating pressure range (MPa)	Operating pressure range	-100 kPa to 0.7
	2 position single, double	0.25 to 0.7
	3 position	
Ambient and fluid temperature (°C)		-10 to 50 (No freezing. Refer to page 5.)
Max. operating frequency (Hz)	2 position single, double	5
	4 position dual 3 port valve	
	3 position	3
Manual override		Non-locking push type
		Push-turn locking slotted type
Pilot exhaust method	Internal pilot	Common exhaust type for main and pilot valve
	External pilot	
Lubrication		Not required
Mounting orientation		Unrestricted
Impact/Vibration resistance (ms²)		150/30 (8.3 to 2000 Hz)
Enclosure		IP67 (Based on IEC60529)
Electrical entry		M12 waterproof connector
Coil rated voltage		24 VDC, 12 VDC
Allowable voltage fluctuation		±10% of rated voltage
Power consumption (W)		0.6 (With indicator light: 0.65)
Surge voltage suppressor		Zener diode
Indicator light		LED



Note) Impact resistance: No malfunction occurred when it is tested with a drop tester in the axial direction and at the right angles to the main valve and armature in both energized and de-energized states every once for each condition. (Values at the initial period)

Vibration resistance: No malfunction occurred in a one-sweep test between 45 and 2000 Hz. Test was performed at both energized and de-energized states in the axial direction and at the right angles to the main valve and armature. (Values at the initial period)

Response Time

Type of actuation	Response time (ms) (at the pressure of 0.5 MPa)			
	SV1000	SV2000	SV3000	SV4000
2 position single	11 or less	25 or less	28 or less	40 or less
2 position double	10 or less	17 or less	26 or less	40 or less
3 position	18 or less	29 or less	32 or less	82 or less
4 position dual 3 port valve	15 or less	33 or less	—	—



Note) Based on dynamic performance test, JIS B 8375-1981. (Coil temperature: 20°C, at rated voltage)

M12 Waterproof Connector Wiring Specifications

Single solenoid	Double solenoid
4 pins connector (M12) plug	4 pins connector (M12) plug
<p>Solenoid</p> <p>Circuit diagram</p> <p>Solenoid valve side pin wiring diagram</p>	<p>Solenoid A</p> <p>Solenoid B</p> <p>Circuit diagram</p> <p>Solenoid valve side pin wiring diagram</p>



Note) Solenoid valves have no polarity.

SJ
SY
SV
SYJ
SZ
VP4
S0700
VQ
VQ4
VQ5
VQC
VQZ
SQ
VFS
VFR
VQ7

Series SV

Flow Characteristics/Mass

Series SV1000

Valve model	Type of actuation		Port size	Flow characteristics ⁽¹⁾						Mass (g) ⁽²⁾
				1 → 4/2 (P → A/B)			4/2 → 5/3 (A/B → EA/EB)			M12 waterproof connector (Cable length 300 mm)
				C [dm ³ /(s·bar)]	b	Cv	C [dm ³ /(s·bar)]	b	Cv	
SV1□00-□-01	2 position	Single	Rc 1/8	1.0	0.30	0.24	1.1	0.30	0.26	123 (88)
		Double								128 (93)
	3 position	Closed center		0.77	0.28	0.18	0.85	0.30	0.19	130 (95)
		Exhaust center		0.73	0.31	0.18	1.1 [0.55]	0.26 [0.52]	0.24 [0.16]	
		Pressure center		1.2 [0.51]	0.24 [0.45]	0.29 [0.14]	0.89	0.47	0.24	
	4 position dual	N.C./N.C.		0.68	0.35	0.18	1.1	0.39	0.29	128 (93)
		N.O./N.O.		0.87	0.31	0.23	0.77	0.44	0.21	

Note 1) []: Denotes the normal position. Note 2) (): Denotes without sub-plate.

Series SV2000

Valve model	Type of actuation		Port size	Flow characteristics ⁽¹⁾						Mass (g) ⁽²⁾
				1 → 4/2 (P → A/B)			4/2 → 5/3 (A/B → EA/EB)			M12 waterproof connector (Cable length 300 mm)
				C [dm ³ /(s·bar)]	b	Cv	C [dm ³ /(s·bar)]	b	Cv	
SV2□00-□-02	2 position	Single	Rc 1/4	2.4	0.41	0.64	2.8	0.29	0.66	159 (96)
		Double								163 (100)
	3 position	Closed center		1.8	0.47	0.50	1.8	0.40	0.47	168 (105)
		Exhaust center		1.4	0.55	0.44	3.0 [1.2]	0.33 [0.48]	0.72 [0.37]	
		Pressure center		3.3 [0.84]	0.36 [0.60]	0.85 [0.28]	1.8	0.40	0.48	
	4 position dual	N.C./N.C.		2.2	0.40	0.55	2.6	0.31	0.60	163 (100)
		N.O./N.O.		2.7	0.24	0.57	2.3	0.36	0.54	

Note 1) []: Denotes the normal position. Note 2) (): Denotes without sub-plate.

Series SV3000

Valve model	Type of actuation		Port size	Flow characteristics ⁽¹⁾						Mass (g) ⁽²⁾
				1 → 4/2 (P → A/B)			4/2 → 5/3 (A/B → EA/EB)			M12 waterproof connector (Cable length 300 mm)
				C [dm ³ /(s·bar)]	b	Cv	C [dm ³ /(s·bar)]	b	Cv	
SV3□00-□-02	2 position	Single	Rc 1/4	4.1	0.41	1.1	4.1	0.29	1.0	250 (121)
		Double								253 (124)
	3 position	Closed center		3.0	0.43	0.80	2.6	0.41	0.72	26 (132)
		Exhaust center		2.6	0.42	0.71	4.7 [1.7]	0.35 [0.48]	1.1 [0.49]	
		Pressure center		5.3 [2.3]	0.39 [0.49]	1.3 [0.65]	2.2	0.49	0.63	
SV3□00-□-03	2 position	Single	Rc 3/8	4.9	0.29	1.2	4.5	0.27	1.1	235
		Double								238
	3 position	Closed center		3.0	0.40	0.80	2.6	0.45	0.73	246
		Exhaust center		2.6	0.42	0.71	4.8 [1.7]	0.35 [0.48]	1.1 [0.34]	
		Pressure center		5.3 [2.3]	0.31 [0.51]	1.3 [0.64]	2.3	0.45	0.66	

Note 1) []: Denotes the normal position. Note 2) (): Denotes without sub-plate.

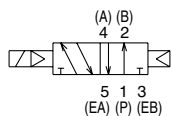
Series SV4000

Valve model	Type of actuation		Port size	Flow characteristics ⁽¹⁾						Mass (g) ⁽²⁾
				1 → 4/2 (P → A/B)			4/2 → 5/3 (A/B → EA/EB)			M12 waterproof connector (Cable length 300 mm)
				C [dm ³ /(s·bar)]	b	Cv	C [dm ³ /(s·bar)]	b	Cv	
SV4□00-□-03	2 position	Single	Rc 3/8	7.9	0.34	2.0	9.6	0.43	2.5	505 (208)
		Double								509 (212)
	3 position	Closed center		7.5	0.33	1.8	7.3	0.30	1.7	530 (233)
		Exhaust center		7.2	0.34	1.7	13 [4.0]	0.23 [0.41]	2.8 [0.95]	
		Pressure center		12 [3.3]	0.26 [0.41]	2.8 [0.84]	6.7	0.40	1.9	
SV4□00-□-04	2 position	Single	Rc 1/2	8.0	0.48	2.2	10	0.29	2.5	484
		Double								488
	3 position	Closed center		7.6	0.32	1.8	7.3	0.32	1.8	509
		Exhaust center		7.3	0.42	2.0	13 [4.7]	0.32 [0.54]	3.6 [1.5]	
		Pressure center		12 [3.3]	0.33 [0.51]	3.3 [0.94]	7.4	0.33	1.9	

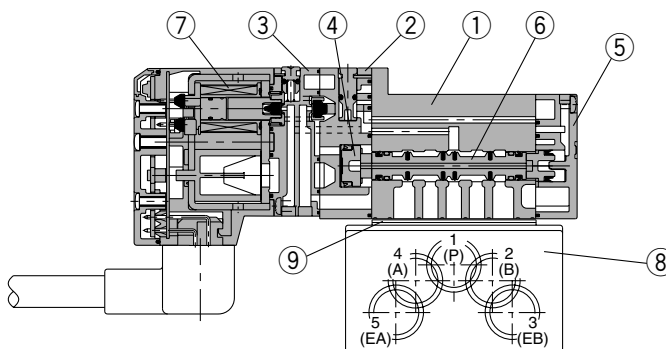
Note 1) []: Denotes the normal position. Note 2) (): Denotes without sub-plate.

Construction: SV1000/2000/3000/4000 Single Valve/Sub-plate Type

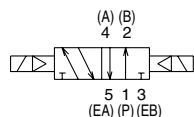
2 position single



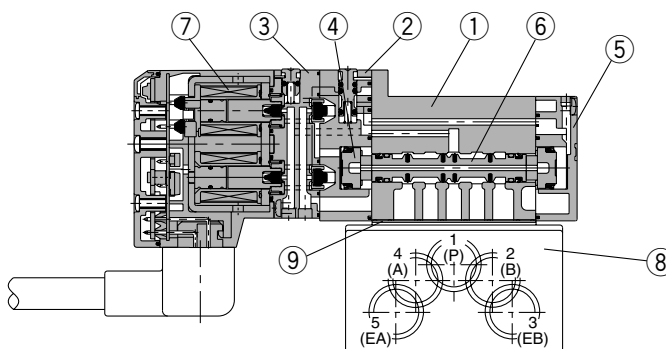
2 position single



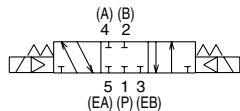
2 position double



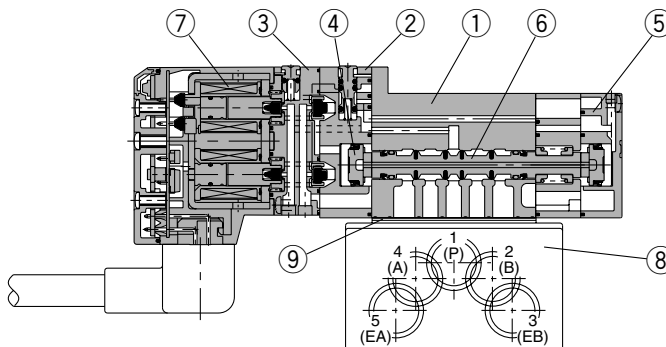
2 position double



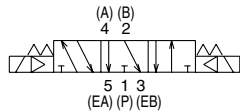
3 position closed center



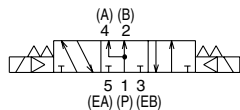
3 position closed center/exhaust center/pressure center



3 position exhaust center



3 position pressure center



Component Parts

No.	Description	Material	Note
①	Body	Aluminum die-casted (SV1000 is zinc die-casted)	White
②	Adapter plate	Resin	White
③	Pilot body	Resin	White
④	Piston	Resin	—
⑤	End plate	Resin	White
⑥	Spool valve assembly	Aluminum/HNBR	—
⑦	Molded coil	—	Gray

Replacement Parts

No.	Description	Part no.				Note
		SV1□00	SV2□00	SV3□00	SV4□00	
⑧	Sub-plate	SY3000-27-1□-Q	SY5000-27-1□-Q	1/4: SY7000-27-1□-Q 3/8: SY7000-27-2□-Q	3/8: SY9000-27-1□ 1/2: SY9000-27-2□	Aluminum die-casted Refer to thread types on page 440 for □.
⑨	Gasket	SY3000-11-25	SY5000-11-18	SY7000-11-14	SY9000-11-2	
—	Round head combination screw	SX3000-22-2 (M2 x 24)	SV2000-21-1 (M3 x 30)	SV3000-21-1 (M4 x 35)	SV2000-21-2 (M3 x 40)	For valve mounting (Matt nickel plated)



Note) Round head combination screw requires 2 pcs. per one valve for Series SV1000, SV2000, SV3000. For Series SV4000, it requires 3 pcs.

Caution

Mounting screw tightening torques

M2: 0.16 N·m
M3: 0.8 N·m
M4: 1.4 N·m

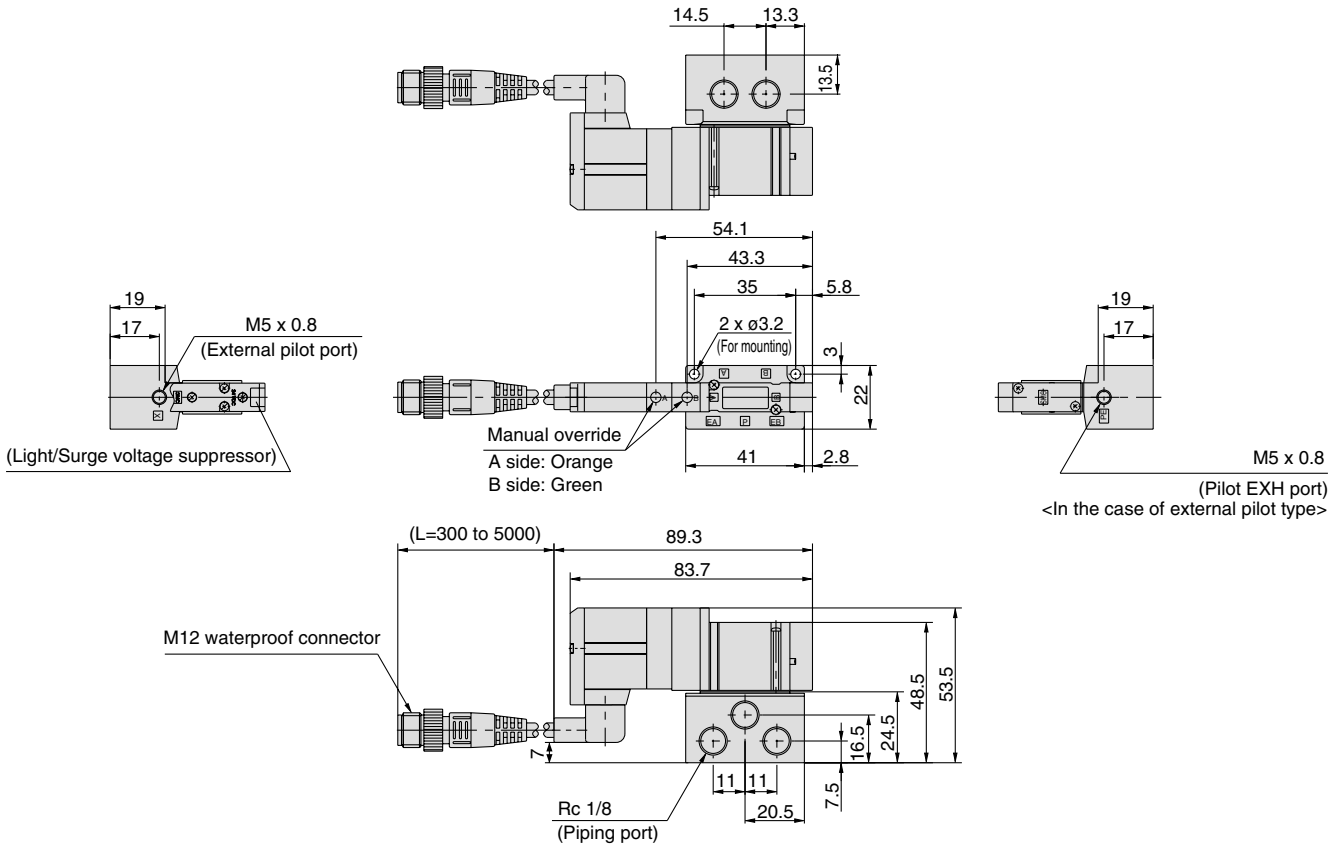
- SJ
- SY
- SV**
- SYJ
- SZ
- VP4
- S0700
- VQ
- VQ4
- VQ5
- VQC
- VQZ
- SQ
- VFS
- VFR
- VQ7

Series SV

Dimensions: Series SV1000

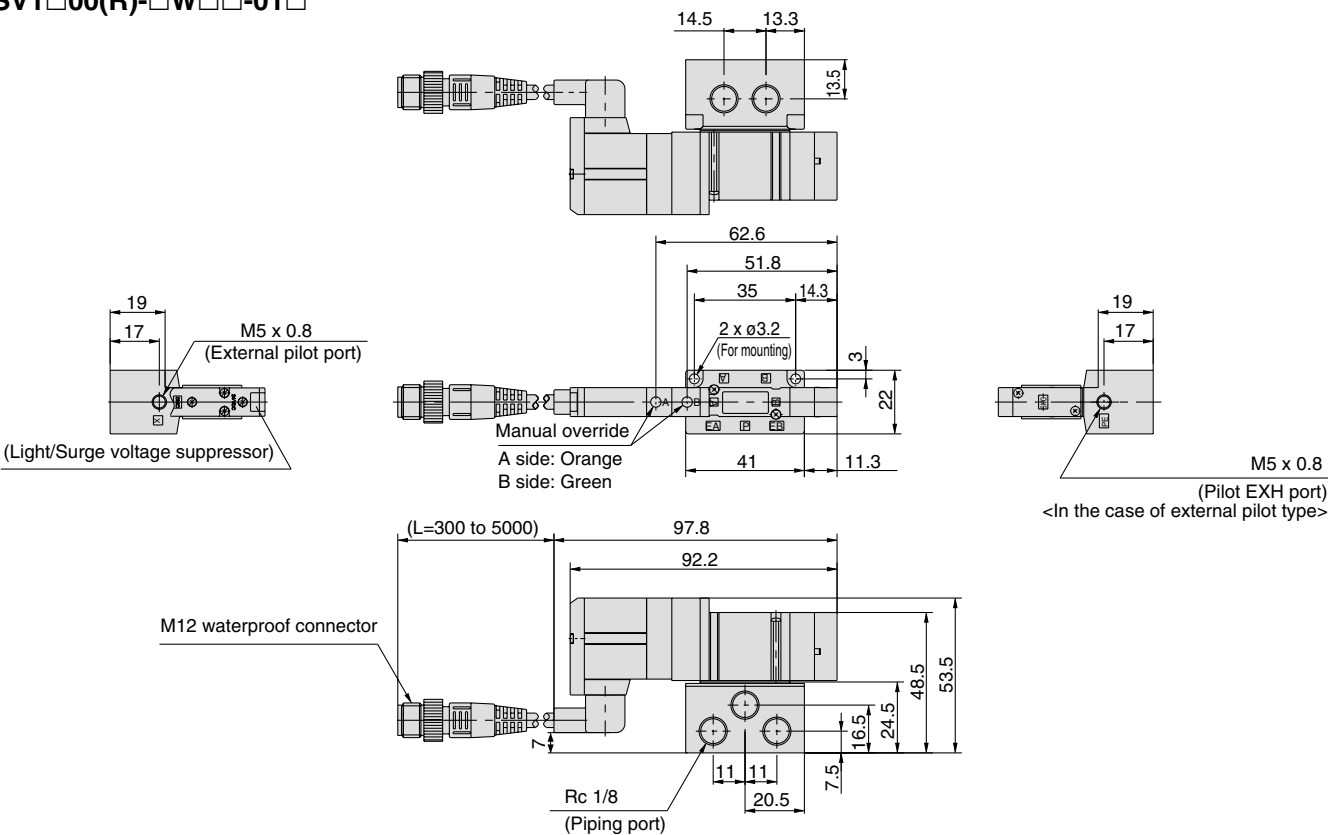
2 position single/double, 4 position dual 3 port [M12 waterproof connector type]

SV1□00(R)-□W□□-01□



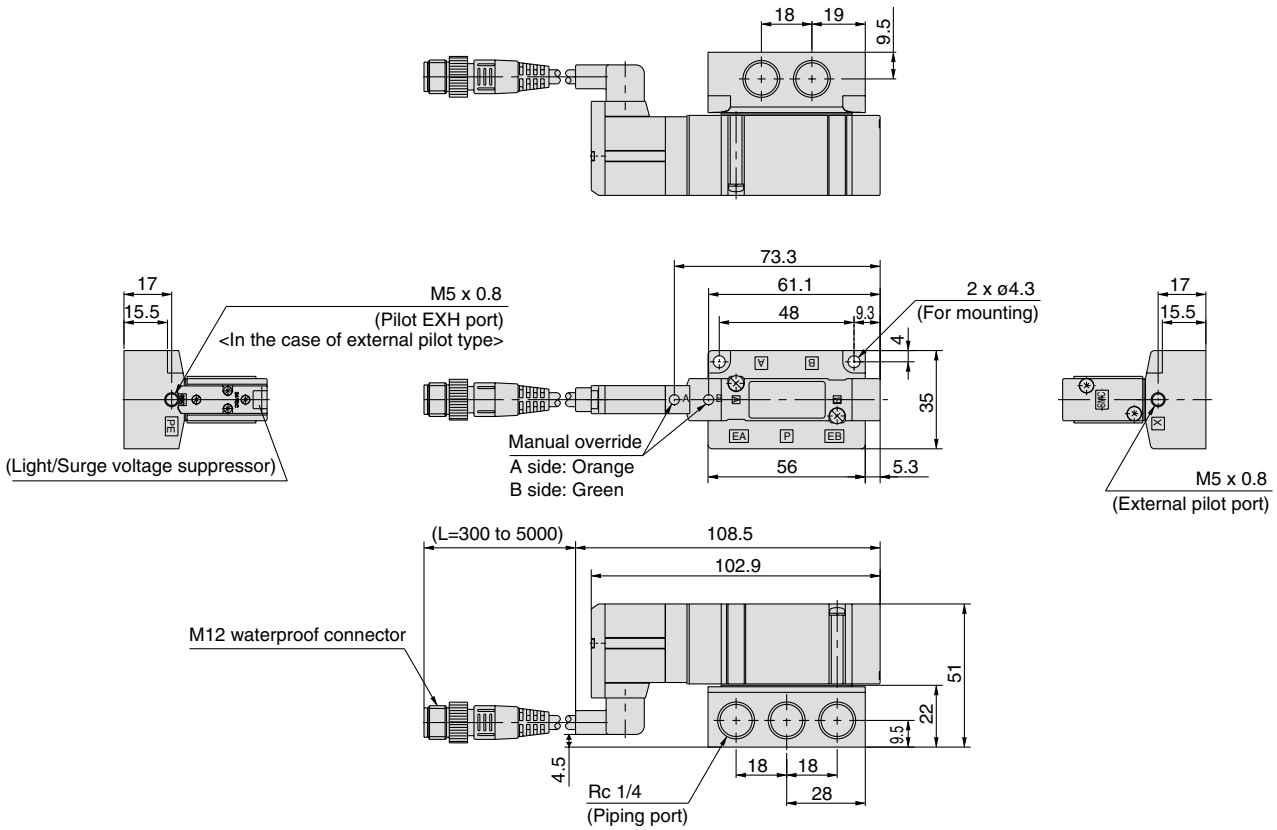
3 position closed center/exhaust center/pressure center [M12 waterproof connector type]

SV1□00(R)-□W□□-01□

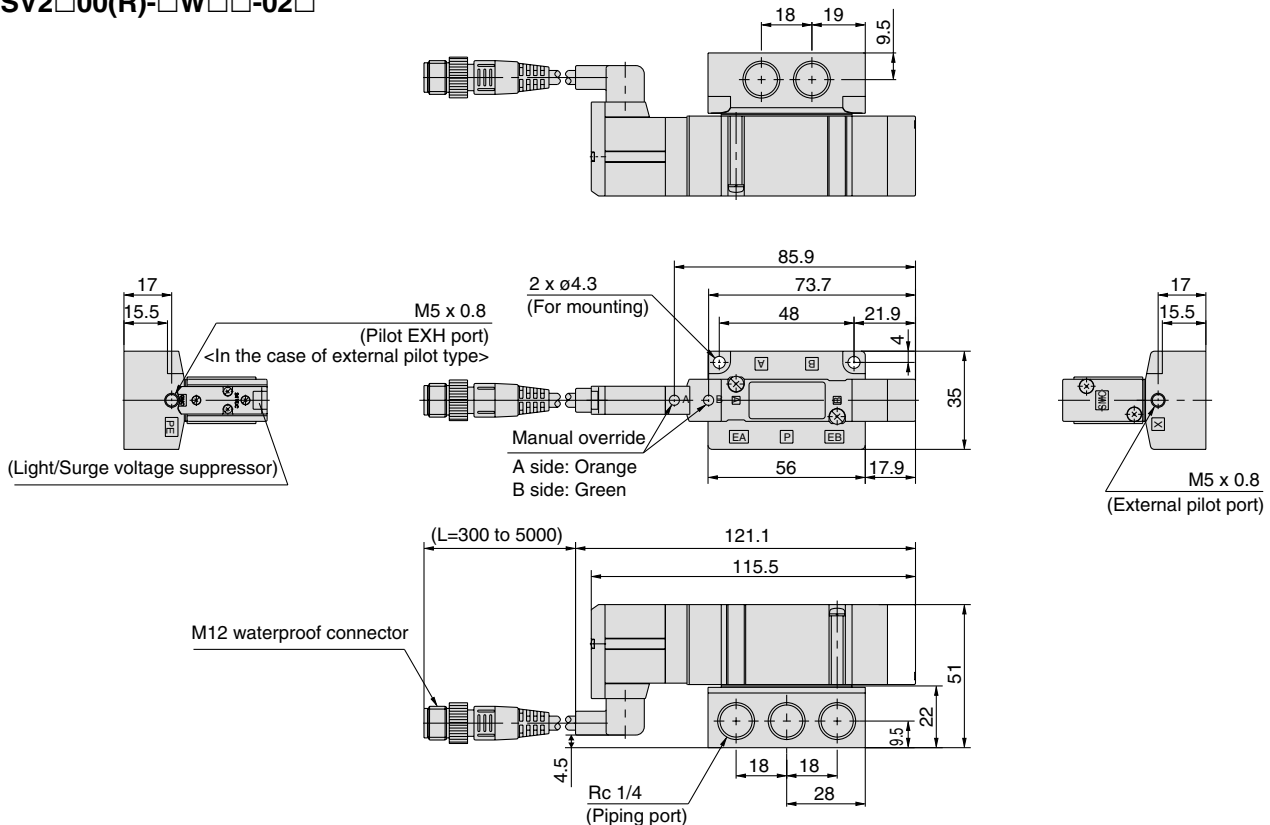


Dimensions: Series SV2000

2 position single/double, 4 position dual 3 port [M12 waterproof connector type]
SV2□00(R)-□W□□-02□



3 position closed center/exhaust center/pressure center [M12 waterproof connector type]
SV2□00(R)-□W□□-02□



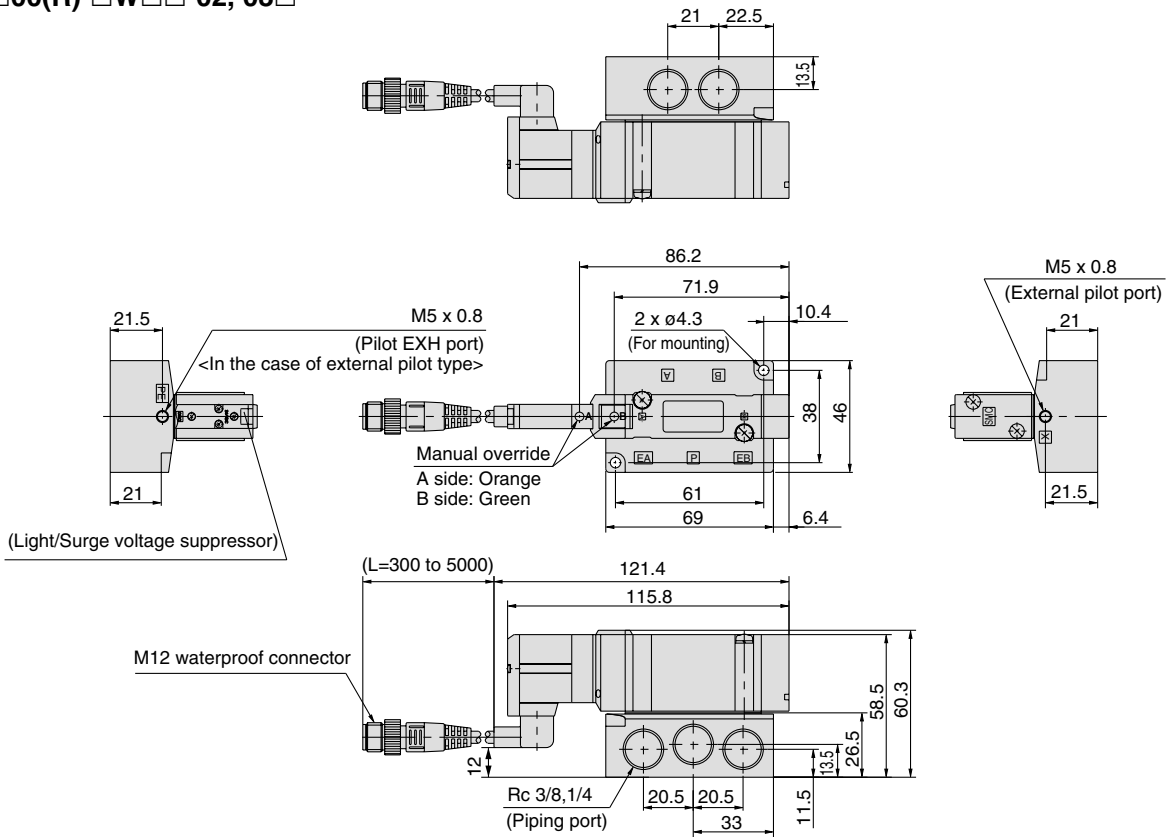
SJ
SY
SV
SYJ
SZ
VP4
S0700
VQ
VQ4
VQ5
VQC
VQZ
SQ
VFS
VFR
VQ7

Series SV

Dimensions: Series SV3000

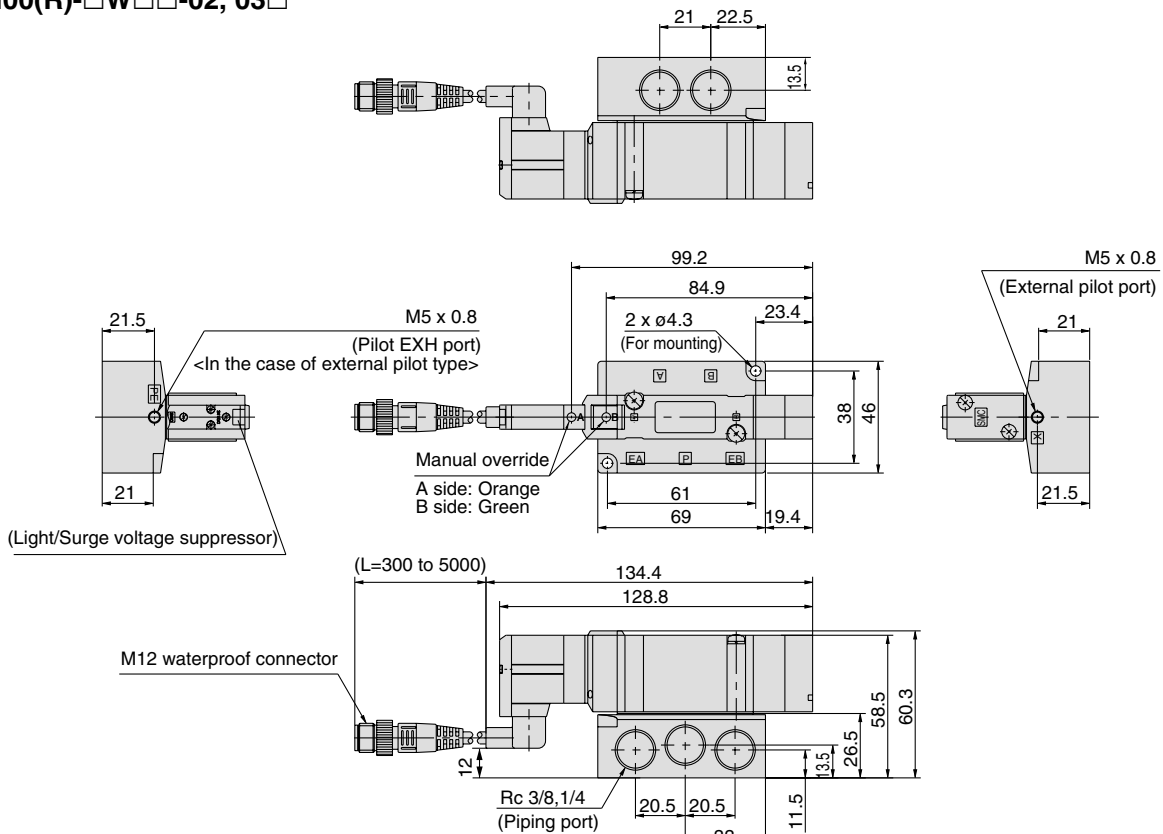
2 position single/double [M12 waterproof connector type]

SV3□00(R)-□W□□-02, 03□



3 position closed center/exhaust center/pressure center [M12 waterproof connector type]

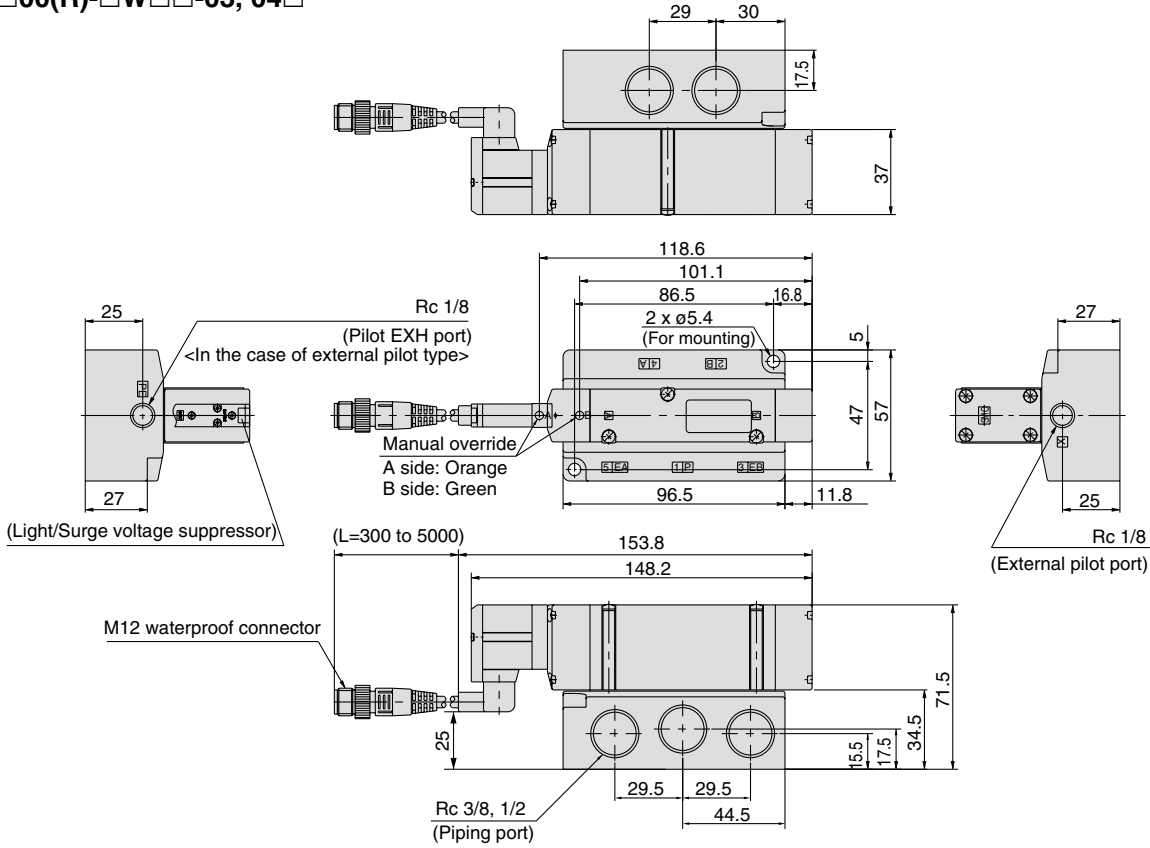
SV3□00(R)-□W□□-02, 03□



Dimensions: Series SV4000

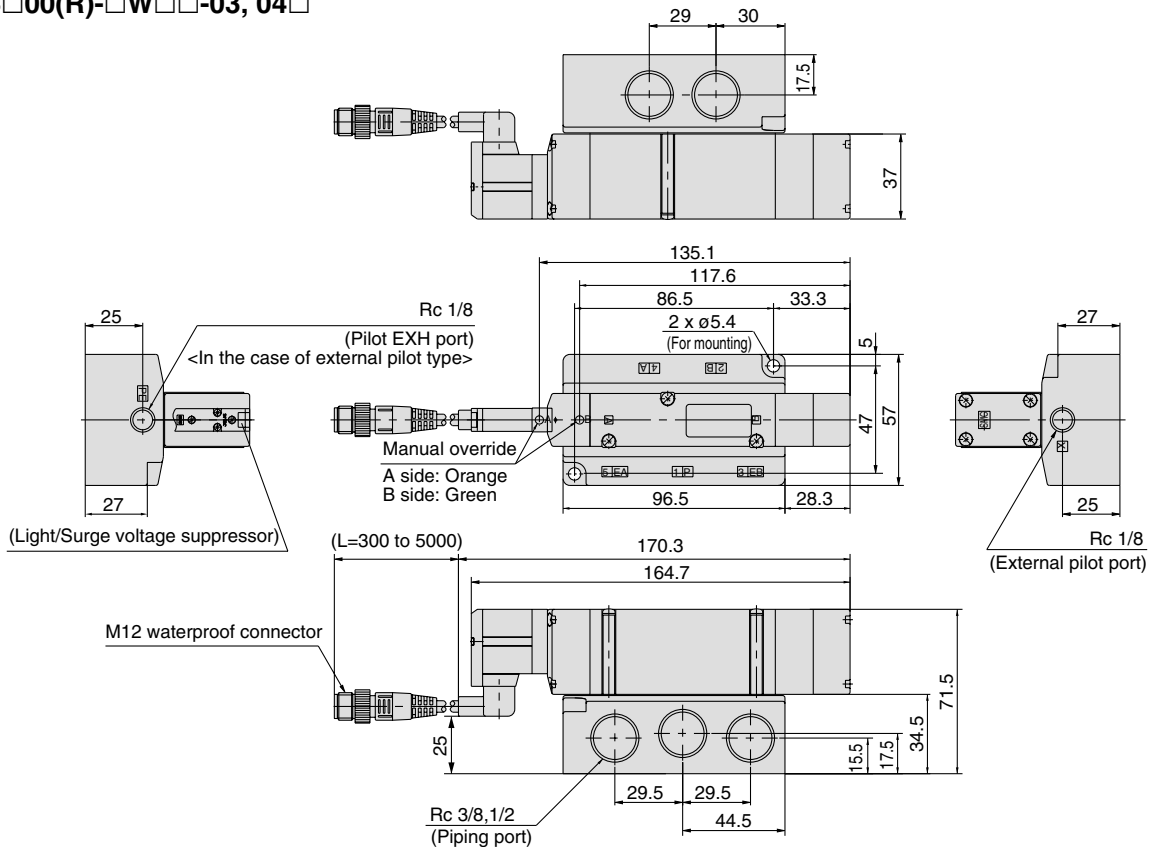
2 position single/double [M12 waterproof connector type]

SV4□00(R)-□W□□-03, 04□



3 position closed center/exhaust center/pressure center [M12 waterproof connector type]

SV4□00(R)-□W□□-03, 04□



- SJ
- SY
- SV**
- SYJ
- SZ
- VP4
- S0700
- VQ
- VQ4
- VQ5
- VQC
- VQZ
- SQ
- VFS
- VFR
- VQ7

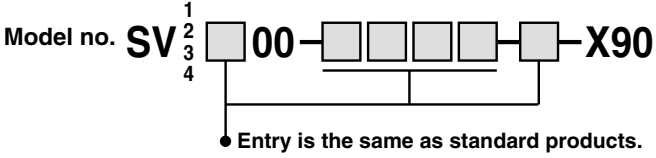


For detailed specifications, delivery and pricing, please contact SMC.

1 Main Valve Fluoro Rubber Specifications **-X90**

Fluoro rubber is used for rubber parts of the main valve to allow use in applications such as the following.

1. When using a lubricant other than the recommended turbine oil, and there is a possibility of malfunction due to swelling of the spool valve seals.
2. When ozone enters or is generated in the air supply.



Note) Because in series -X90 fluoro rubber is used for only main valve, the rubber parts of the application/usage in conditions requiring heat resistance should be avoided.



Series SV Specific Product Precautions 1

Be sure to read before handling.

Refer to front matters 58 and 59 for Safety Instructions and pages 3 to 7 for 3/4/5 Port Solenoid Valve Precautions.

Environment

Warning

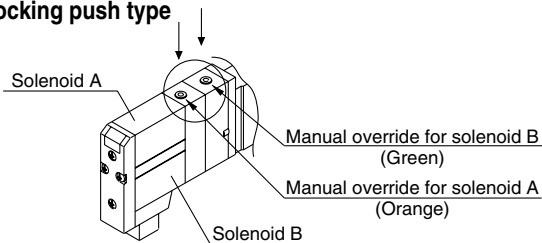
- Do not use valves in atmospheres of corrosive gases, chemicals, salt water, water, steam, or where there is direct contact with any of these.
- Products compliant with IP65 and IP67 enclosures (Based on IEC60529) are protected against dust and water, however, these products cannot be used in water.
- Products compliant with IP65 and IP67 enclosures satisfy the specifications by mounting each product properly. Be sure to read the Specific Product Precautions for each product.
- When using built-in silencer type manifold with an IP67 enclosure, keep the exhaust port of the silencer from coming in direct contact with water or other liquids. Liquid filtration through the exhaust port of the silencer can cause damage to the valve.

Manual Override Operation

Warning

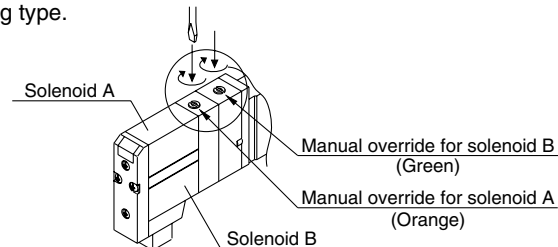
Handle carefully, as connected equipment can be actuated through manual override operation.

Non-locking push type



Push-turn locking slotted type

After pushing down, turn in the direction of the arrow. If it is not turned, it can be operated the same way as the non-locking type.



Caution

When locking the manual override with the push-turn locking slotted type, be sure to push it down before turning. Turning without first pushing it down can cause damage to the manual override and other trouble such as air leakage, etc.

Exhaust Restriction

Caution

Since Series SV is a type in which the pilot valve exhaust joins the main valve exhaust inside the valve, use caution, so that the piping from the exhaust port is not restricted.

Series SV Used as a 3 Port Valve

Caution

In the case of using a 5 port valve (as a 3 port valve)

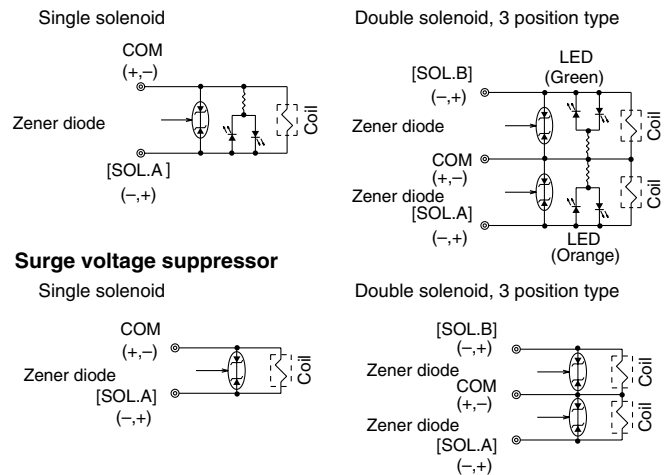
Series SV can be used as normally closed (N.C.) or normally open (N.O.) 3 port valves by closing one of the cylinder ports (A or B) with a plug. However, they should be used with the exhaust ports kept open. They are convenient at times when a double solenoid type 3 port valve is required.

		B port	A port
		N.C.	N.O.
Number of solenoids	Single		
	Double		

Light/Surge Voltage Suppressor

Caution

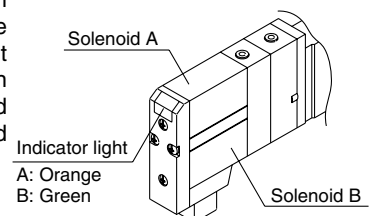
Solenoid valves have no polarity. Light/Surge voltage suppressor



Light Indication

Caution

When equipped with indicator light and surge voltage suppressor, the light window turns orange when solenoid A is energized, and it turns green when solenoid B is energized.



SJ

SY

SV

SYJ

SZ

VP4

S0700

VQ

VQ4

VQ5

VQC

VQZ

SQ

VFS

VFR

VQ7



Series SV Specific Product Precautions 2

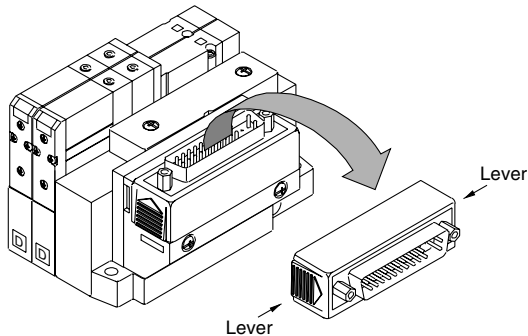
Be sure to read before handling.

Refer to front matters 58 and 59 for Safety Instructions and pages 3 to 7 for 3/4/5 Port Solenoid Valve Precautions.

Connector Entry Directions

⚠ Caution

Connector entry directions for D-sub connectors and flat ribbon cables can be changed. To change the connector's entry direction, press the levers on both sides of the connector, take it off, and change the direction as shown in the drawing. Since lead wire assemblies are attached to the connector, excessive pulling or twisting can cause broken wires or other trouble. Also, take precautions so that lead wires are not caught and pinched when installing the connector.

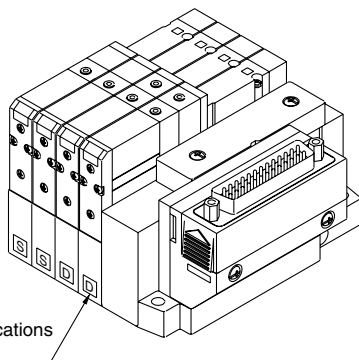


How to Order Manifold

⚠ Caution

The letter "S" or "D" is indicated on manifold blocks for series SV as shown below. This indication refers to the type of substrate assembly (single wiring or double wiring) inside the manifold blocks.

When the manifold specification sheet does not include a wiring specification, all stations will be double wiring specification (D). In this case, single and double solenoid valves can be mounted in any position, but when a single valve is used, there will be an unused control signal. To avoid this, indicate positions of manifold blocks for single wiring specification (S) and double wiring specification (D) on a manifold specification sheet. (Note that double, 3 or 4 position valves cannot be used for manifold blocks with single wiring specification (S).)



Substrate Assemblies inside Manifolds

⚠ Caution

Substrate assemblies inside of manifolds cannot be taken apart. Attempting to do so may damage parts.

One-touch Fittings

⚠ Caution

1. Tube attachment/detachment for One-touch fittings

1) Attaching of tube

- (1) Take a tube having no flaws on its periphery and cut it off at a right angle. When cutting the tube, use tube cutters TK-1, 2 or 3. Do not use pinchers, nippers or scissors, etc. If cutting is done with tools other than tube cutters, there is the danger that the tube may be cut diagonally or become flattened, etc., making a secure installation impossible, and causing problems such as the tube pulling out after installation or air leakage. Also allow some extra length in the tube.
- (2) Grasp the tube and push it in slowly, inserting it securely all the way into the fitting.
- (3) After inserting the tube, pull on it lightly to confirm that it will not come out. If it is not installed securely all the way into the fitting, this can cause problems such as air leakage or the tube pulling out.

2) Detaching of tube

- (1) Push in the release button sufficiently, and push the collar evenly at the same time.
- (2) Pull out the tube while holding down the release button so that it does not come out. If the release button is not pressed down sufficiently, there will be increased bite on the tube and it will become more difficult to pull it out.
- (3) When the removed tube is to be used again, cut off the portion which has been chewed before reusing it. If the chewed portion of the tube is used as is, this can cause trouble such as air leakage or difficulty in removing the tube.

Other Tubing Brands

⚠ Caution

1. When using tube other than SMC brand, confirm that the following specifications are satisfied with respect to the outside diameter tolerance of the tube.

- | | |
|------------------------|---------------------------------------|
| 1) Nylon tubing | within ± 0.1 mm |
| 2) Soft nylon tubing | within ± 0.1 mm |
| 3) Polyurethane tubing | within $+0.15$ mm
within -0.2 mm |

Do not use tubing which does not meet these outside diameter tolerances. It may not be possible to connect them, or they may cause other trouble, such as air leakage or the tube pulling out after connection.

Back Pressure Check Valve Built-in Type

⚠ Caution

Valves with built-in back pressure check valve is to protect the back pressure inside a valve. For this reason, use caution the valves with external pilot specification cannot be pressurized from exhaust port [3/5(E)]. As compared with the types which do not integrate the back pressure check valve, C value of the flow characteristics goes down. For details, please contact SMC.



Series SV Specific Product Precautions 3

Be sure to read before handling.

Refer to front matters 58 and 59 for Safety Instructions and pages 3 to 7 for 3/4/5 Port Solenoid Valve Precautions.

Interface Regulator

⚠ Caution

Specifications

Interface regulator	SV1□00-□-□	SV2000-□-□	SV3000-□-□	SV4000-□-□	
Applicable model	SV1000	SV2000	SV3000	SV4000	
Regulating port	P, A, B				
Set pressure range	0.1 to 0.7 MPa				
Maximum operating pressure	0.7 MPa				
Fluid	Air				
Ambient and fluid temp.	Maximum at 50°C				
Mass	With pressure gauge	38.4 g (43.4 g)	86.5 g	103.8 g	178.2 g
	Without pressure gauge	32 g (37 g)	80.3 g	97.6 g	171.8 g

Note 1) Apply pressure from P port in the base for interface regulator.

Note 2) P port pressure regulation is only available for closed center and pressure center.

Note 3) Gasket and mounting screws are included in the weight.

Note 4) (): Denotes the values of SV1300.

How to Calculate the Flow Rate

For obtaining the flow rate, refer to front matters 44 to 47

SJ

SY

SV

SYJ

SZ

VP4

S0700

VQ

VQ4

VQ5

VQC

VQZ

SQ

VFS

VFR

VQ7



Series SV

Specific Product Precautions 4

Be sure to read before handling.

Refer to front matters 58 and 59 for Safety Instructions and pages 3 to 7 for 3/4/5 Port Solenoid Valve Precautions.

Serial Wiring EX500/EX250/EX120 Precautions

Warning

1. **These products are intended for use in general factory automation equipment.**
Avoid using these products in machinery/equipment which affects human safety, and in cases where malfunction or failure can result in extensive damage.
2. **Do not use in an explosive atmosphere, environment with inflammable gases, or corrosive atmosphere.**
This can cause injury or fire, etc.
3. **Work such as transporting, installing, piping, wiring, operation, control and maintenance should be performed by personnel with specialized knowledge.**
There is a danger of electrocution, injury or fire, etc.
4. **Install an external emergency stop circuit that can promptly stop operation and shut off the power supply.**
5. **Do not remodel these products, as there is a danger of injury and damage.**
6. **Do not wipe the product with chemicals, etc.**

Caution

1. **Read the instruction manual carefully, strictly observe the precautions and operate within the range of the specifications.**
2. **Do not drop these products or submit them to strong impacts. This can cause damage, failure or malfunction, etc.**
3. **In locations with poor electrical conditions, take steps to ensure a steady flow of the rated power supply. Use of a voltage outside of the specifications can cause malfunction, damage to the unit, electrocution or fire, etc.**
4. **Do not touch connector terminals or internal substrates when current is being supplied. There is a danger of malfunction, damage to the unit or electrocution if connector terminals or internal substrates are touched when current is being supplied.**
Be sure that the power supply is OFF when adding or removing manifold valves or input blocks, etc., or when connecting or disconnecting connectors.
5. **Operate at an ambient temperature that is within the specifications. Even when the ambient temperature range is within the specifications, do not use in locations where there are rapid temperature changes.**
6. **Keep wire scraps and other extraneous material from getting inside these products. This can cause fire, failure or malfunction, etc.**
7. **Give consideration to the operating environment depending on the type of enclosure being used.**
To achieve IP65 or IP67 protection, provide appropriate wiring between all units using electrical wiring cables, communication connectors and cables with M12 connectors. Also, provide waterproof caps when there are unused ports, and perform proper mounting of input units, input blocks, SI units and manifold valves, etc. Provide a cover or other protection for applications in which there is constant exposure to water.
8. **Obey the proper tightening torque.**
There is a possibility of damaging threads if tightening exceeds the tightening torque range.

Caution

9. **Provide adequate protection when operating in locations such as the following:**
 - Where noise is generated by static electricity, etc.
 - Where there is a strong electric field
 - Where there is a danger of exposure to radiation
 - When in close proximity to power supply lines
10. **When these products are installed in equipment, provide adequate protection against noise by using noise filters, etc.**
11. **Since these products are components that are used after installation in other equipment, the customer should confirm conformity to EMC directives for the finished product.**
12. **Do not remove the name plate.**
13. **Perform periodic inspections and confirm normal operation. It may otherwise be impossible to guarantee safety due to unexpected malfunction or erroneous operation.**

Power Supply Safety Instructions

Caution

1. **Operation is possible with a single power supply or a separate power supply. However, be sure to provide two wiring systems (one for solenoid valves, and one for input and control units).**
2. **Use the following UL approved products for DC power supply combinations.**
 - 1) **Controlled voltage current circuit conforming to UL508**
Circuit uses the secondary coil of an isolated transformer as the power supply, satisfying the following conditions.
 - Max. voltage (with no load): 30 Vrms (42.4 V peak) or less
 - Max. current: (1) 8 A or less (including shorts), and (2) When controlled by a circuit protector (fuse, etc.) with the following rating

No-load voltage (V peak)	Max. current rating
0 to 20 [V]	5.0
Over 20 [V] to 30 [V]	100
	Peak voltage value

- 2) **A circuit (class 2 circuit) with maximum 30 Vrms (42.4 V peak) or less, and a power supply consisting of a class 2 power supply unit conforming to UL1310, or a class 2 transformer conforming to UL1585**

Safety Instructions for Cable

Caution

1. **Be careful of mis-wiring. This can cause malfunction, damage and fire in the unit.**
2. **To prevent noise and surge in signal lines, keep all wiring separate from power lines and high voltage lines. Otherwise, this can cause malfunction.**
3. **Check wiring insulation, as defective insulation can cause damage to the unit due to excessive voltage or current.**
4. **Do not bend or pull cables repeatedly, and do not place heavy objects on them or allow them to be pinched. This can cause broken lines.**