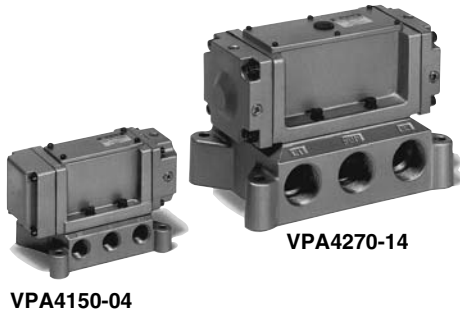


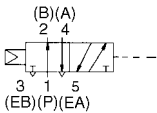
# 5 Port Air Operated Valve

## Series VPA4□50/4□70

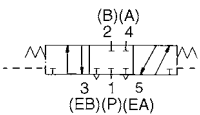


### JIS Symbol

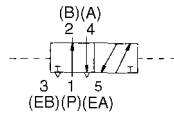
2 position single  
VPA4150/4170



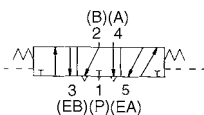
3 position closed center  
VPA4350



2 position double  
VPA4250/4270



3 position exhaust center  
VPA4450



## How to Order

VPA4 1 5 0 - 10 - □

VP 5 port  
Air operated valve

Function

1	2 position single pilot
2	2 position double pilot
3	3 position closed center
4	3 position exhaust center

Note) 3 position is not available on Series VPA4□70.

Body size

5	3/4 standard
7	1 1/4 standard

Piping

0	Side ported
1*	Bottom ported
4	W/o sub-plate

\* Option

Thread type

Nil	Rc
F	G
N	NPT
T	NPTF

Port size

Symbol	Port size	Applicable valve model
00	Without sub-plate	VPA4□54, 4□74
03	3/8 (10A)	VPA4□5 0 1
04	1/2 (15A)	
06	3/4 (20A)	
10*	1 (25A)	VPA4□7 0 1
12	1 1/4 (32A)	
14	1 1/2 (40A)	

\* Side piping only

## Specifications

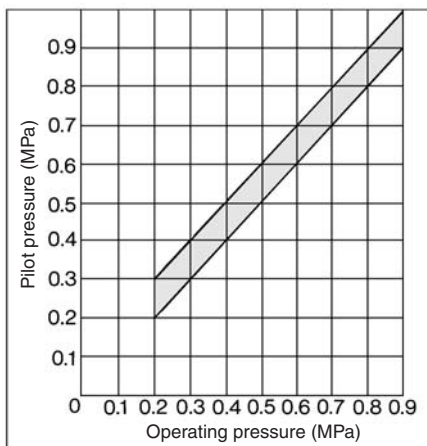
Fluid	Air
Operating pressure range (MPa)	0.2 to 0.9
Pilot pressure range (MPa)	Refer to the pilot pressure graph shown in below.
Ambient and fluid temperature (°C)	0 to 60
Lubrication <sup>(1)</sup>	Required (Use turbine oil Class 1 ISO VG32.)
Mounting orientation	Free
Impact/Vibration resistance (m/s <sup>2</sup> ) <sup>(2)</sup>	150/50

Note 1) Use turbine oil Class 1 (ISO VG32).

Note 2) Impact resistance: No malfunction from test using drop impact tester, to axis and right angle directions of main valve, each one time when pilot signal is ON and OFF. (Valve in the initial stage)

Vibration resistance: No malfunction from test with 45 to 1000 Hz one sweep, to axis and right angle direction of main valve, each one time when pilot signal ON and OFF. (Value in the initial stage)

### Pilot Pressure Range



## ⚠ Precautions

Be sure to read this before handling. Refer to front matters 58 and 59 for Safety Instructions and pages 3 to 7 for 3/4/5 Port Solenoid Valve Precautions. Precautions.

### ⚠ Caution

- Lubrication**  
Use turbine oil Class 1 (ISO VG32). Refer to page 6 for brand names of manufacturers.
- Refer to page 607 regarding piping, air quality, operating condition and 3 position closed center.

# 5 Port Air Operated Valve *Series* VPA4□50/4□70

## Flow Characteristics/Mass

Function		Valve model	Port size	Flow characteristics						Mass (kg)
				1→4/2(P→A/B)			4/2→5/3(A/B→EA/EB)			
				C [dm <sup>3</sup> /(s·bar)]	b	Cv	C [dm <sup>3</sup> /(s·bar)]	b	Cv	
2 position	Single	VPA4150	3/8	15	0.22	3.6	16	0.33	4.5	1.9
			1/2	17	0.15	4.0	19	0.28	5.1	
			3/4	21	0.13	5.2	21	0.28	5.6	
	Double	VPA4250	3/8	15	0.22	3.6	16	0.33	4.5	1.9
			1/2	17	0.15	4.0	19	0.28	5.1	
			3/4	21	0.13	5.2	21	0.28	5.6	
3 position	Closed center	VPA4350	3/8	16	0.28	4.0	15	0.29	4.0	2.5
			1/2	18	0.27	4.7	18	0.23	4.5	
			3/4	22	0.19	5.3	20	0.23	5.0	
	Exhaust center	VPA4450	3/8	16	0.28	3.9	16(15)	0.29(0.28)	4.2(4.0)	2.5
			1/2	18	0.24	4.5	19(16)	0.24(0.27)	4.8(4.5)	
			3/4	22	0.15	5.1	22(18)	0.23(0.30)	5.5(4.8)	

Note) ( ): Normal position

Function		Valve model	Port size	Effective area mm <sup>2</sup>	Mass (kg)
2 position	Single	VPA4150	1	120	2.7
		VPA4170	1 1/4	280	8.8
			1 1/2	300	
	Double	VPA4250	1	120	2.7
		VPA4270	1 1/4	280	8.8
			1 1/2	300	
3 position	Closed center	VPA4350	1	110	3.3
	Exhaust center	VPA4450	1	110	3.3

SYA

SYJA

VZA

VFA

VFRA

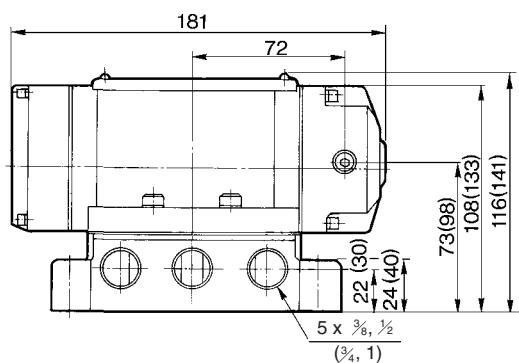
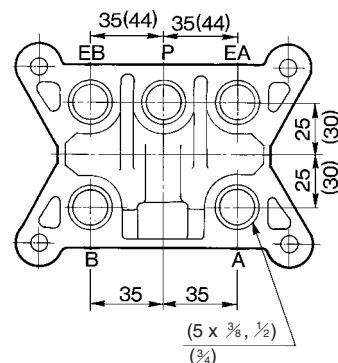
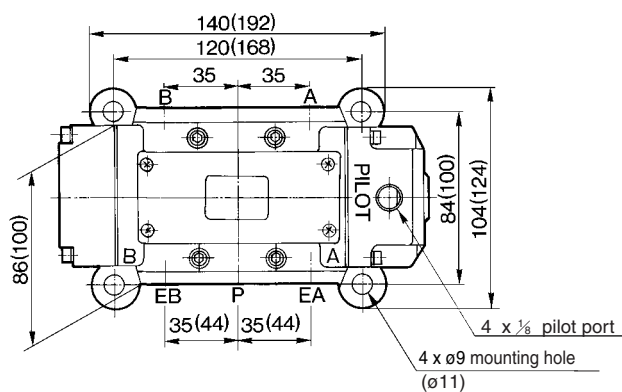
V□A

# Series VPA4□50

## Dimensions

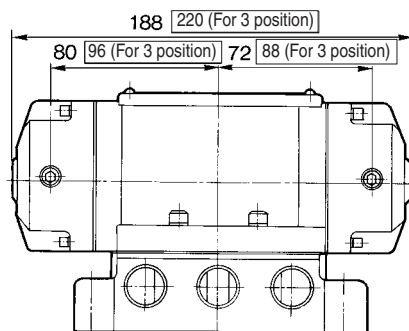
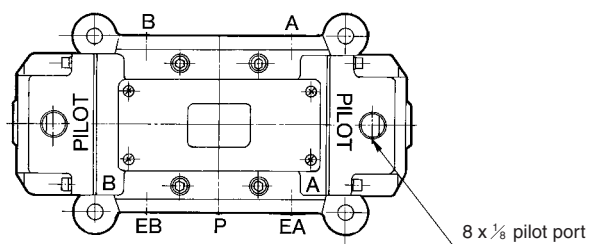
VPA4150-□-□

Bottom ported



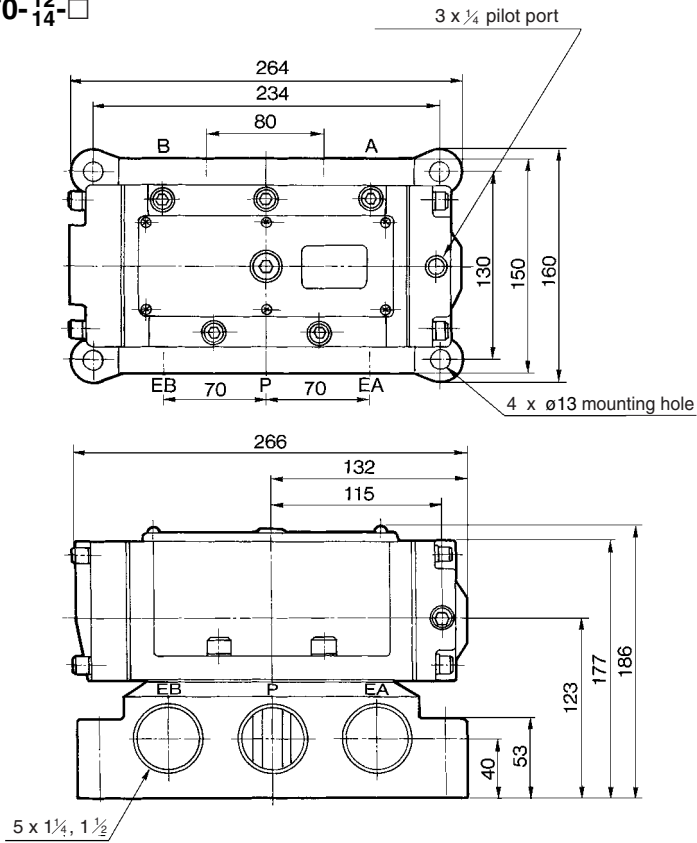
( ): Value for Rc 1

VPA4250-□-□, VPA4350-□-□, VPA4450-□-□

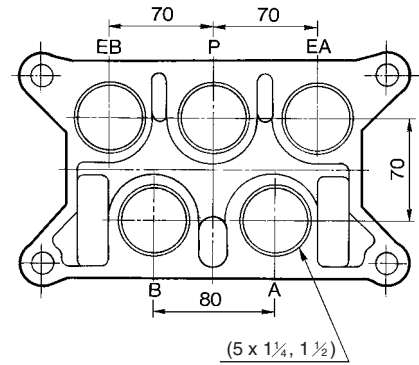


**Dimensions**

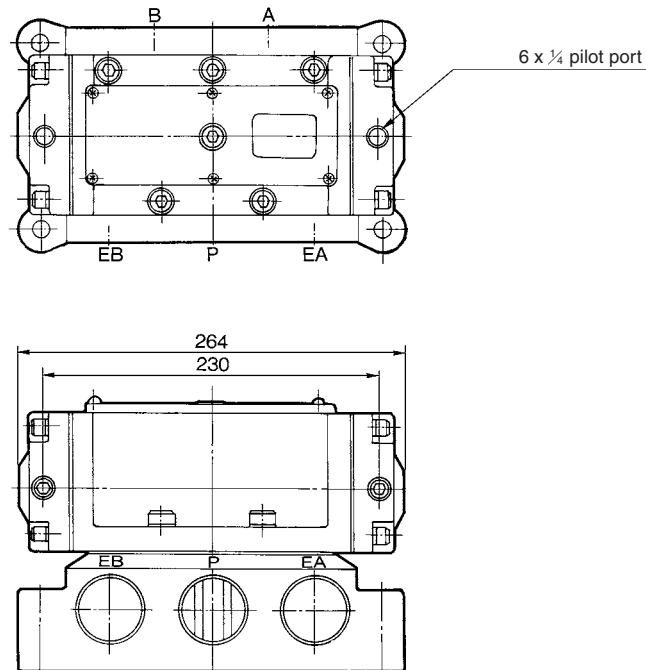
VPA4170- $\frac{12}{14}$ -□



Bottom ported



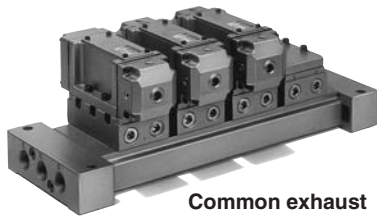
VPA4270- $\frac{12}{14}$ -□



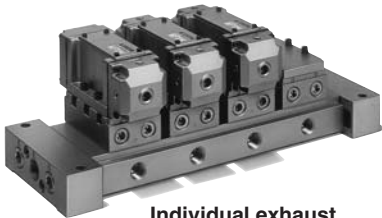
- SYA
- SYJA
- VZA
- VFA
- VFRA
- V□A**

# Series VPA4□50

# Manifold Specifications



Common exhaust



Individual exhaust

## Specifications

Manifold type	B mount
Exhaust type	Common exhaust, Individual exhaust <sup>(1)</sup>
Supply type	Common supply port
Stations	Max. 10 stations (VVPA460: Max. 8 stations) <sup>(2)</sup>

Note 1) When valves are closed with diaphragm, back pressure may cause malfunction. Use individual exhaust to prevent such a problem.

Note 2) In the case of more than 4 stations, supply air to both sides of supply port and exhaust air from both sides.

## Simultaneous Operation with Manifold Valves

Note) Pressure drop will occur by simultaneously using manifold valves.

## Model

Base model	Exhaust type	Port size			Applicable valve model
		P	A, B	E	
VVPA450	Common	3/4	1/2, 3/4	3/4	VPA4154-00 VPA4254-00 VPA4354-00 VPA4454-00
	Individual				
VVPA460	Common	1	3/4, 1	1	
	Individual				

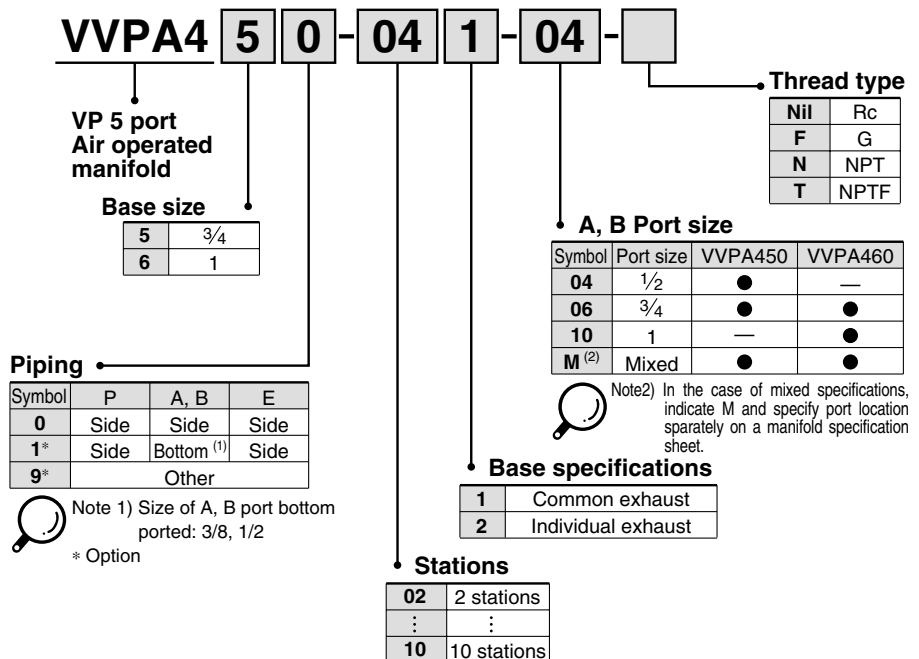
## Option

Blanking plate assembly	XT038N-4A	With Gasket, Bolt
-------------------------	-----------	-------------------

## Caution

Manifold specifications are not available for Series VPA4□70.

## How to Order



## How to Assemble Manifold

To order valves and blanking plate assembly mounted onto the manifold, list valves and blanking plate assembly with manifold base part number.

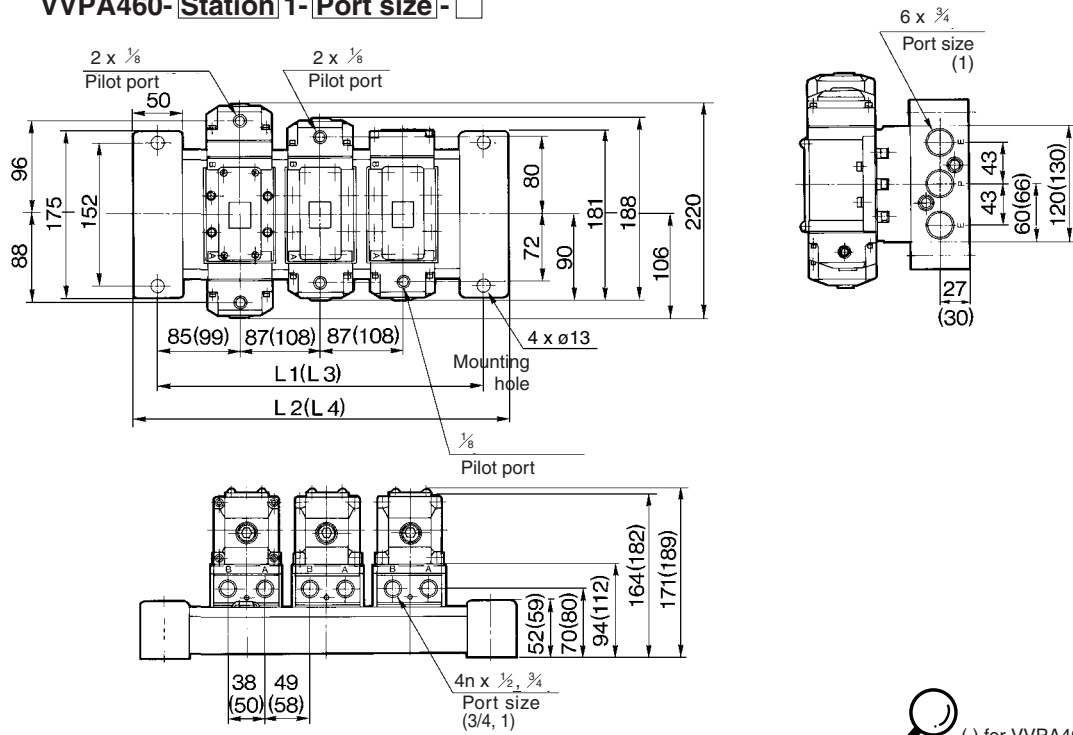
EX) Base: 6 stations, common EXH, A & B port 1/2

VVPA450-061-04 ..... 1 pc.  
\*VPA4154-00 ..... 3 pcs.  
\*VPA4254-00 ..... 2 pcs.  
\*XT038N-4A ..... 1 pc.

To order valves and options mounted onto the manifold at the factory, list the valve/option with an asterisk (\*) in front of each part number.

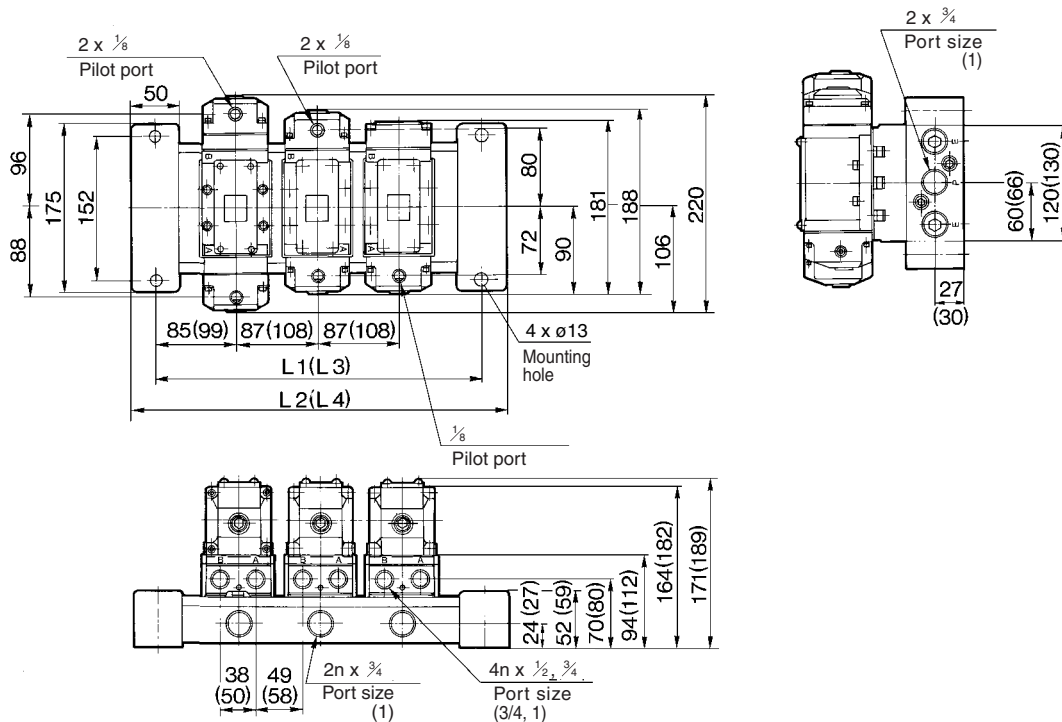
## Dimensions

Common EXH: VVPA450- Station 1- Port size -   
 VVPA460- Station 1- Port size -



( ) for VVPA460

Individual EXH: VVPA450- Station 2- Port size -   
 VVPA460- Station 2- Port size -



- SYA
- SYJA
- VZA
- VFA
- VFRA
- V□A

### L Dimension

Model	L	n: Station								Formula	
		2	3	4	5	6	7	8	9		10
VVPA450	L1	257	344	431	518	605	692	779	866	953	L1=87 × n+83
	L2	307	394	481	568	655	742	829	916	1003	L2=87 × n+133
VVPA460	L3	306	414	522	630	738	846	954	—	—	L3=108 × n+90
	L4	356	464	572	680	788	896	1004	—	—	L4=108 × n+140

( ) for VVPA460