

5 Port Mechanical Valve

Series VZM500

**Compact design,
large flow capacity 10.8 mm²
High cycle rate,
long life/300 c.p.m. or less
Piping possible to any EXH
port.**

Proper countermeasures can be taken for applications in which the noise of the exhaust could cause problems to the surroundings.

**External pilot model
available. (Option)**

**Foot bracket and manifold
mounting possible.**



PAT. PEND.

Specifications

Fluid	Air/Inert gas
Operating pressure	0.15 to 0.7 MPa ⁽¹⁾
Ambient and fluid temperature	-5 to 60°C (No freezing)
Effective area	10.8 mm ²
Maximum frequency (Mechanical operation type)	300 c.p.m. or less
Lubrication	Not required (Use turbine oil Class 1 ISO VG32, if lubricated.)
Port size	Main valve/Rc 1/8 (6A)
	Pilot valve (EXH)/M5 x 0.8
Option	Foot bracket ⁽²⁾
Weight (Basic)	130 g

* Please contact SMC for manifold mounting style.
Note 1) External pilot type Main valve: 0 to 0.7 MPa
Pilot valve: 0.15 to 0.7 MPa

Note 2) The standard body can not be retrofitted with a foot bracket.

Model

	Actuator	Model	Actuator part no.	Application
Mechanical operation	Basic	VZM550-01-00	—	—
	Roller lever	VZM550-01-01	VM-01C	Polyacetal roller
		VZM550-01-01S	VM-01CS	Hard steel roller
	One way roller lever	VZM550-01-02	VM-02C	Polyacetal roller
		VZM550-01-02S	VM-02CS	Hard steel roller
	Straight plunger	VZM550-01-05	VM-05C	—
Roller plunger	VZM550-01-06	VM-06C	Polyacetal roller	
	VZM550-01-06S	VM-06CS	Hard steel roller	
Manual operation	Toggle lever	VZM550-01-08	VM-08C	—
	Push button (Mushroom)	VZM550-01-30R	VM-30CR	Red
		VZM550-01-30B	VM-30CB	Black
		VZM550-01-30G	VM-30CG	Green
		VZM550-01-30Y	VM-30CY	Yellow
	Push button (Extended)	VZM550-01-32R	VM-32CR	Red
		VZM550-01-32B	VM-32CB	Black
		VZM550-01-32G	VM-32CG	Green
		VZM550-01-32Y	VM-32CY	Yellow
	Push button (Flush)	VZM550-01-33	VM-33C	With a set of red, black, green, yellow
	Twist selector (2 position)	VZM550-01-34R	VM-34CR	Red
		VZM550-01-34B	VM-34CB	Black
		VZM550-01-34G	VM-34CG	Green
		VZM550-01-34Y	VM-34CY	Yellow
Key selector (2 position)	VZM550-01-36	VM-36C	—	
Push-pull	VZM550-01-37	—	Black	

Note 1) Actuator replacement is available for all types. (Except push-pull)
Note 2) For push button (mushroom), push button (extended), push button (flush) and a single unit of fastening ring, refer to pages 5-6-6 to 5-6-7. The other parts are not replaceable.
Note 3) The handle of the selector (2 position) cannot be removed or replaced alone.

S□A

V□A

S□A

V□A

VM

VR

VH

VHS

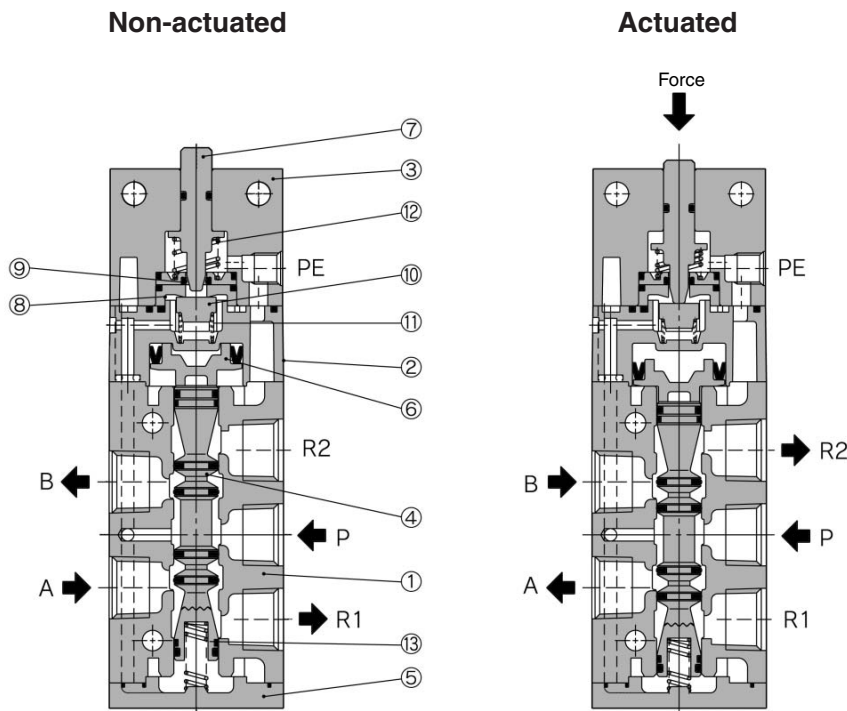
Series VZM500

How to Order

VZM55 0 01 01 S

Port size		Actuator type		Suffix for actuator		Option	
01	Rc 1/8	00	Basic	S	Hard steel roller	F	Foot bracket
N01	NPT 1/8	01	Roller lever	R	Red	Color of push button selector	
F01	G 1/8	02	One way roller lever	B	Black		
		05	Straight plunger	G	Green		
		06	Roller plunger	Y	Yellow		
Body option		08	Toggle lever				
0	Standard	30	Push button (Mushroom)				
1*	External pilot type	32	Push button (Extended)				
* Except VZM550-01-37		33	Push button (Flush)				
		34	Twist selector (2 position)				
		36	Key selector (2 position)				
		37	Push-pull				

Construction



Component Parts

No.	Description	Material	Note
①	Body	ADC	Metallic plated
②	Pilot body	PBT	ZDC only for external pilot
③	Head cover	ZDC	Black zinc chromated
④	Spool valve assembly		
⑤	End cover	ZDC	Metallic plated
⑥	Piston	POM	
⑦	Plunger	POM	

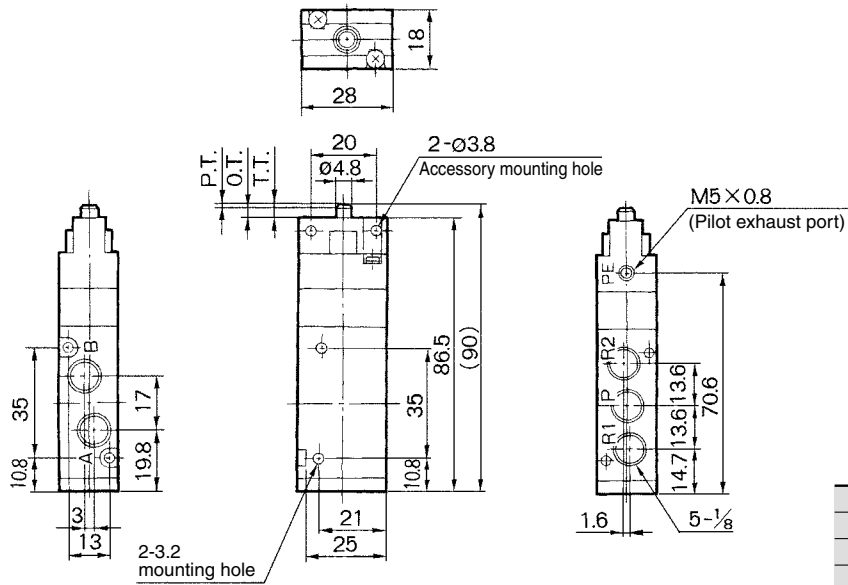
No.	Description	Material	Note
⑧	Valve seat (A)	POM	
⑨	Valve seat (B)	POM	
⑩	Valve assembly	NBR	
⑪	Valve spring	Stainless steel	
⑫	Return spring	Stainless steel	
⑬	Spool spring	Stainless steel	

5 Port Mechanical Valve Series VZM500

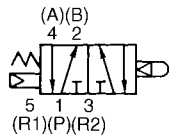
Series VZM500

Basic

VZM550-01-00



JIS Symbol



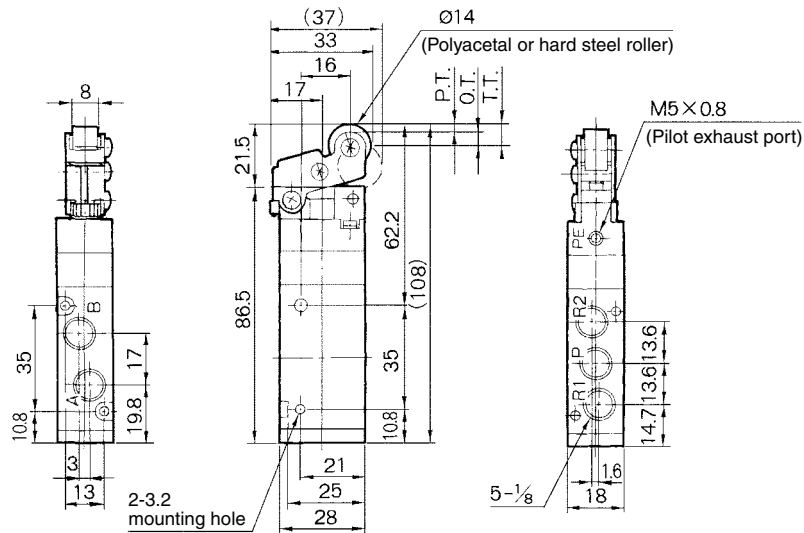
* 0.5 MPa supply

F.O.F. *	16 N
P.T.	1.0 mm
O.T.	2.0 mm
T.T.	3.0 mm

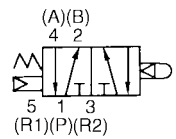
Roller lever

VZM550-01-01

VZM550-01-01S



JIS Symbol



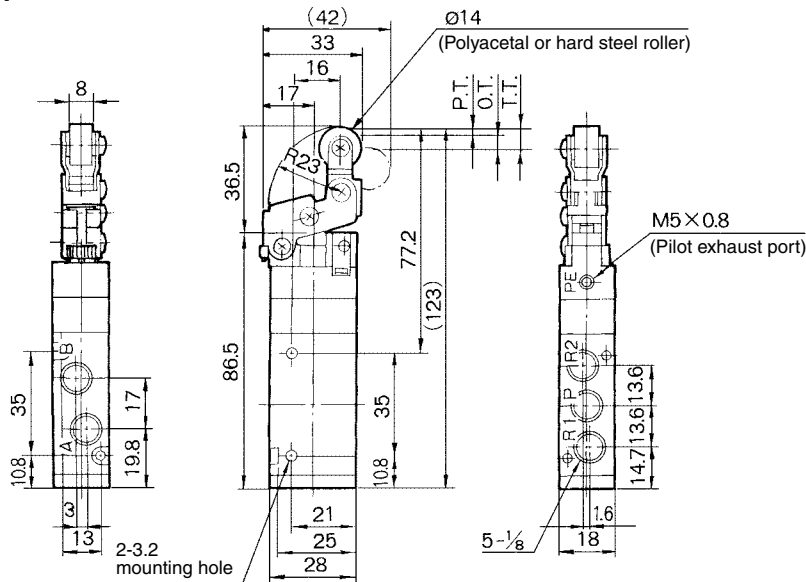
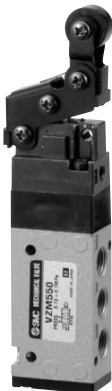
* 0.5 MPa supply

F.O.F. *	8 N
P.T.	2.2 mm
O.T.	4.0 mm
T.T.	6.2 mm

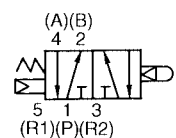
One way roller lever

VZM550-01-02

VZM550-01-02S



JIS Symbol



* 0.5 MPa supply

F.O.F. *	7 N
P.T.	2.4 mm
O.T.	4.6 mm
T.T.	7.0 mm

S□A

V□A

S□A

V□A

VM

VR

VH

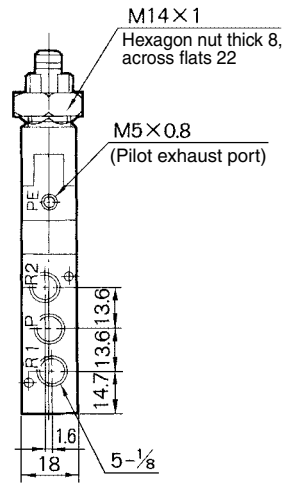
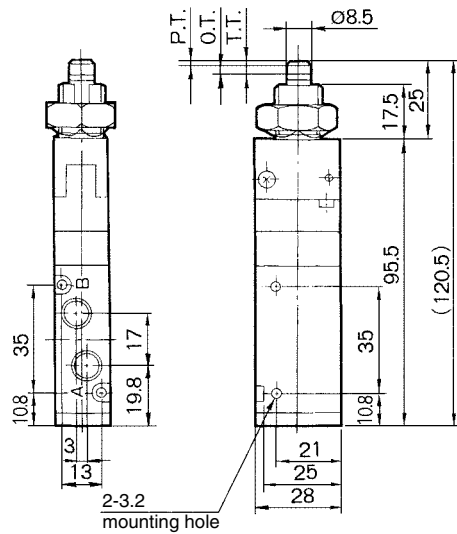
VHS

Series VZM500

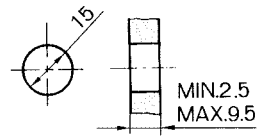
Series VZM500

Straight plunger

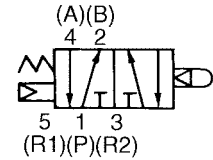
VZM550-01-05



Panel mounting hole



JIS Symbol



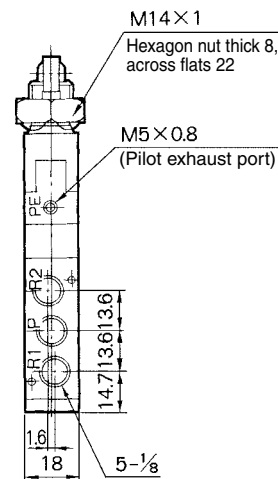
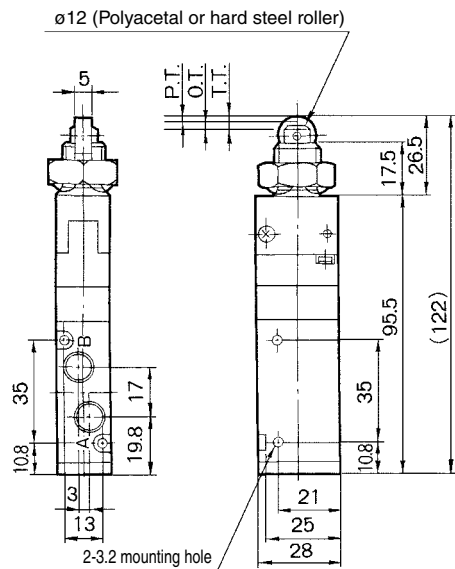
* 0.5 MPa supply

F.O.F. *	18 N
P.T.	1.5 mm
O.T.	2.0 mm
T.T.	3.5 mm

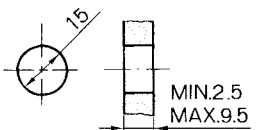
Roller plunger

VZM550-01-06

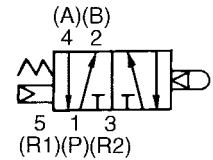
VZM550-01-06S



Panel mounting hole



JIS Symbol

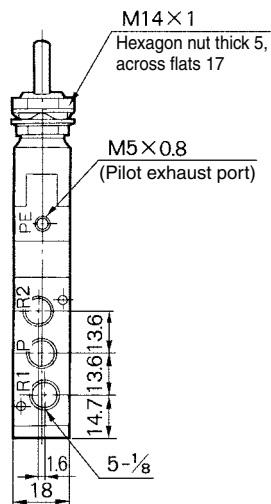
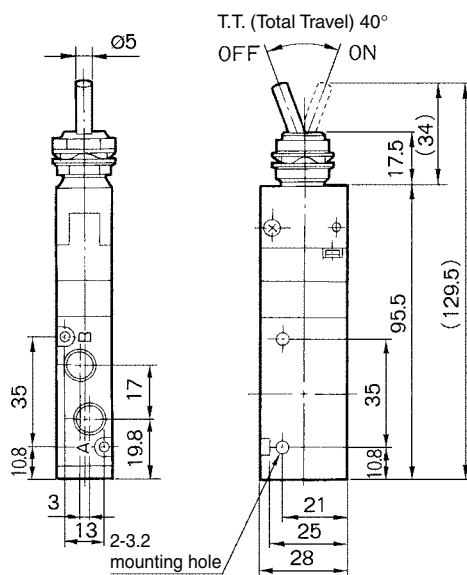


* 0.5 MPa supply

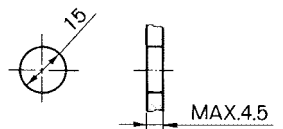
F.O.F. *	18 N
P.T.	1.5 mm
O.T.	2.0 mm
T.T.	3.5 mm

Toggle lever

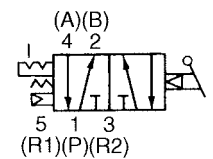
VZM550-01-08



Panel mounting hole



JIS Symbol



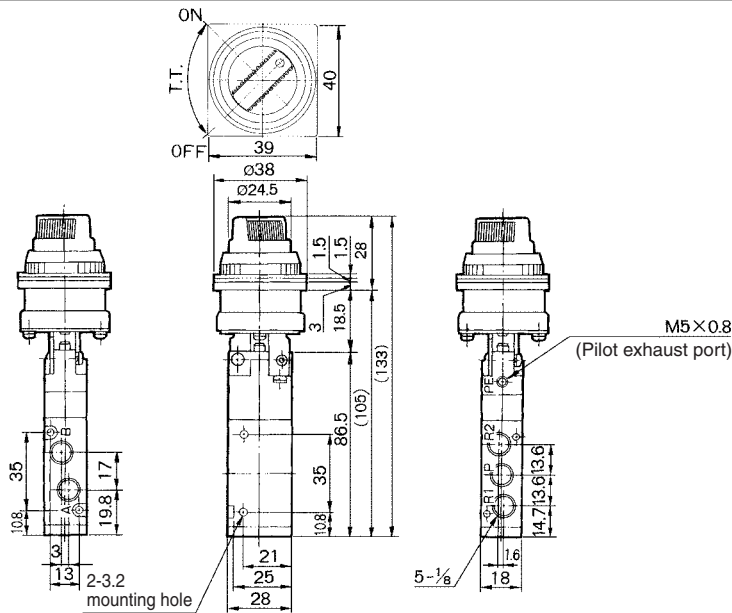
* 0.5 MPa supply

F.O.F. *	15 N
T.T.	40°

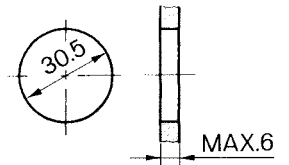
Series VZM500

Series VZM500

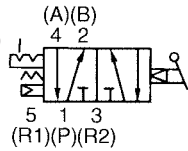
Selector (2 position) VZM550-01-34R/B/G/Y



Panel mounting hole



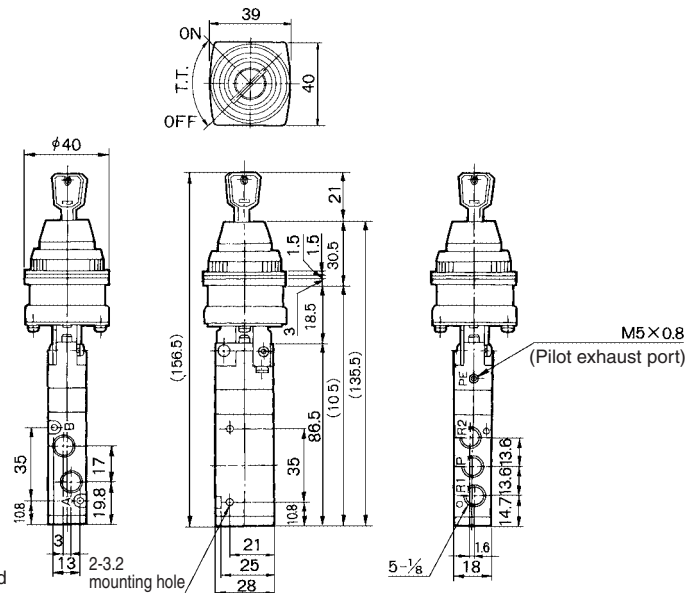
JIS Symbol



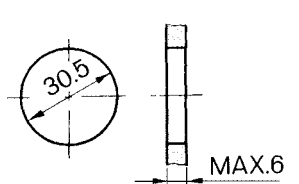
* 0.5 MPa supply

F.O.F. *	23 N
T.T.	90°

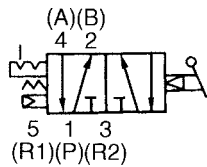
Key selector (2 position) VZM550-01-36



Panel mounting hole



JIS Symbol

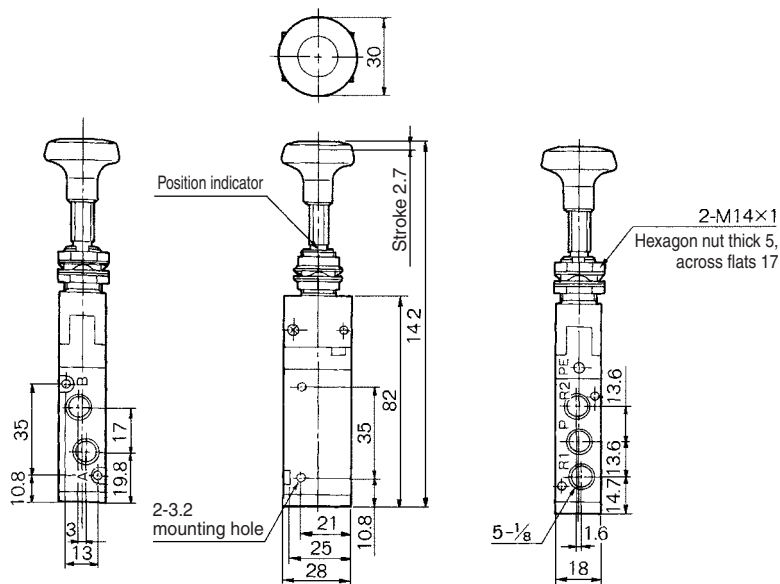


* 0.5 MPa supply

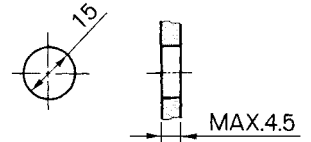
F.O.F. *	26 N
T.T.	90°

Key can be removed at the "on" and "off" positions.

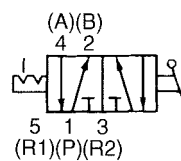
Push pull VZM550-01-37



Panel mounting hole



JIS Symbol

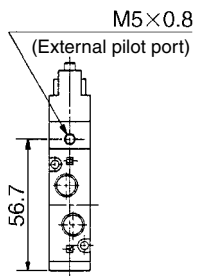


F.O.F.	20 N
T.T.	2.7 mm

5 Port Mechanical Valve Series VZM500

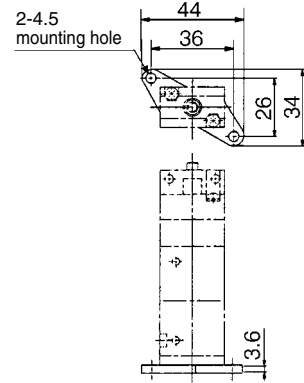
External pilot type

VZM551 type



With foot bracket

VZM55□-01-□□-F



S□A

V□A

S□A

V□A

VM

VR

VH

VHS