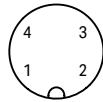
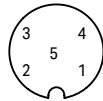


2-Channel Analog Output; IO-Link Converter; 0 ... 10 V; 2 x M12 Connector



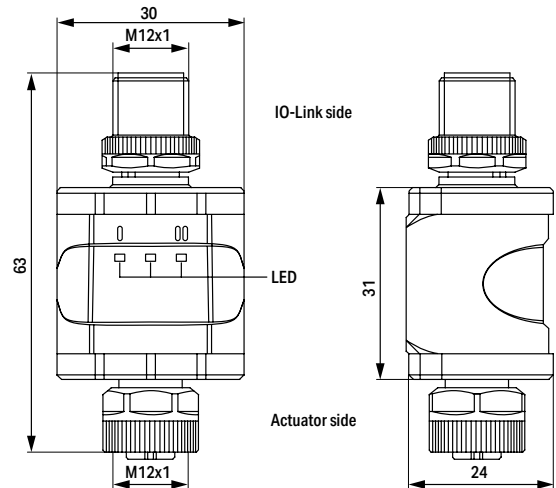
M12-A plug; 4-pole

- 1: 24 VDC: Supply 1L+
- 2: not used
- 3: 0 V: Supply 1L-
- 4: C/Q IO-Link



M12-A socket; 5-pole

- 1: Actuator supply 1L+
- 2: Analog output 2 (0 ... 10 V)
- 3: Actuator supply 1L-
- 4: Analog output 1 (0 ... 10 V)
- 5: not used



Application:

Decentralized preprocessing and output of analog signals

This device controls a connected actuator or any other unit that has an analog input (0 ... 10 V).

The device has two analog voltage outputs.

Use as an IO-Link device:

The device has an IO-Link communication interface that requires an IO-Link-capable module (IO-Link master) for interoperation.

The IO-Link interface allows direct access to the process and diagnostic data and enables setting of the device parameters during operation.

Description	Item No.	PU
2AO FLD IOL CONV 0-10V	765-2704/200-000	1
Accessories		
Mounting clip	765-101/000-000	1
IO Device Description (IODD)	Download: www.wago.com	
Approvals/Tests		
Conformity marking	CE	
UL listed	Pending	
IO-Link		
MTTF	373 years	
Technical Data		
Ambient temperature (operation)	-25 ... +70 °C	
Ambient temperature (storage)	-25 ... +70 °C	
Relative humidity (without condensation)	max. 90 % (31 °C); linearly decreasing to 50 % (40 °C)	
Operating altitude	0 ... 4000 m	
Protection type	IP67	
Pollution degree	2	
Weight	91 g	
Dimensions	63 x 30 x 24 mm	
Housing material	PA	
Indicators	Analog output: 2 x LED, yellow; Power: 1 x LED, green	
Length of connection cables	20 m	

Technical Data	
Supply voltage	24 VDC; -25 ... +25 %; (18 ... 30 VDC)
Current consumption	300 mA
Operation modes	IO-Link
Outputs	
Number of analog outputs	2
Connection technology	M12-A socket; 5-pole
Signal type (voltage)	0 ... 10 V
Load impedance	≤ 3000 Ω
Accuracy	0.25 % of output range end value
IO-Link	
Communication interface	IO-Link Class A/B
Transmission type	COM2 (38.4 kBaud)
IO-Link revision	1.1
Process data	2 x 16-bit OUT (analog)
Process cycle time (min.)	3.6 ms
Parameters via IO-Link	Application-specific identifier; plant identifier; location identifier